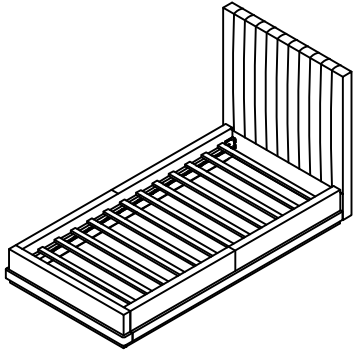


ASSEMBLY INSTRUCTIONS

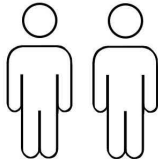
TWIN



+ Do Not Use Power Tools



+ Suggested Adults



NOTE:

- 1 Read instructions cover to cover.
- 2 Save all packaging until assembly is completed.

1 IMPORTANT SAFETY INFORMATION

Do not assemble the product if any of the following parts arrived damage:

- Part 3 - Side Rails (L)
- Part 4 - Side Rails (R)
- Part 5 - Slats

2 IMPORTANT ASSEMBLY INFORMATION

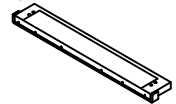
Assembly Step Ensure the side rail bracket is fully hooked onto bolt loosely threaded with both washers on the OUTSIDE of the bracket first, then proceed to fully tightening all 4 corners.

+ Parts Included

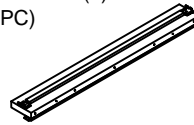
① HEADBOARD
(1 PC)



② FOOTBOARD
(1 PC)



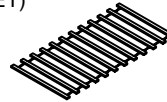
③ SIDE RAIL (L)
(1 PC)



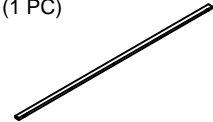
④ SIDE RAIL (R)
(1 PC)



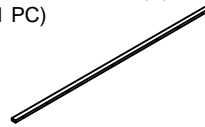
⑤ SLATS
(1 SET)



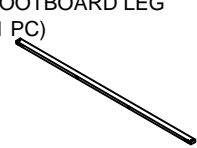
⑥ SIDE RAIL LEG (L)
(1 PC)



⑦ SIDE RAIL LEG (R)
(1 PC)



⑧ FOOTBOARD LEG
(1 PC)



+ Hardware Included

A M6 x 40mm
(14 PCS)



B M8 x 30mm
(8 PCS)



C M8 x 30mm
(8 PCS)



D M4
(1 PC)

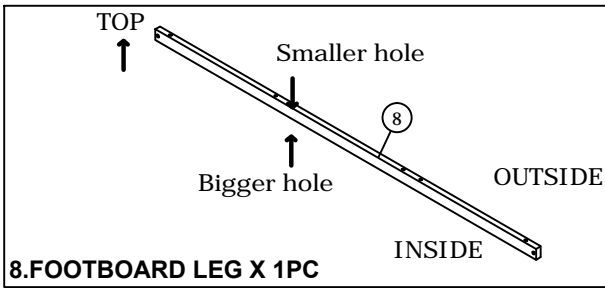
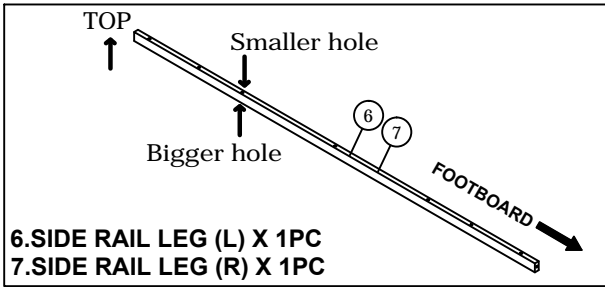


E M5
(1 PC)

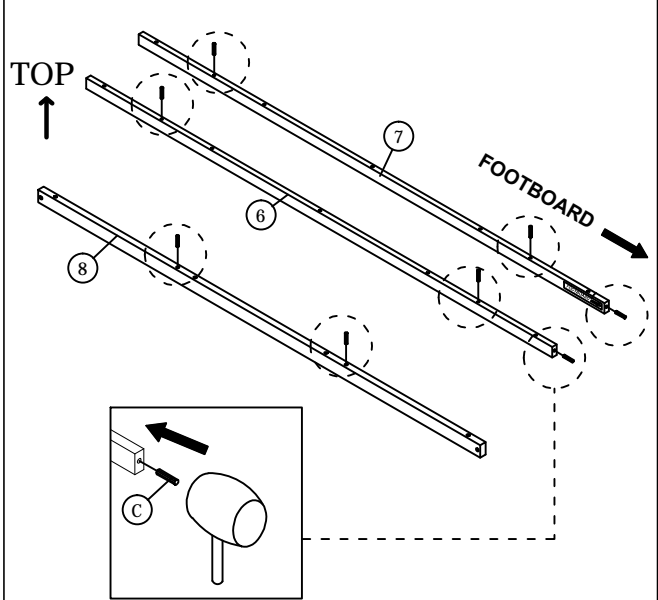


ASSEMBLY INSTRUCTIONS

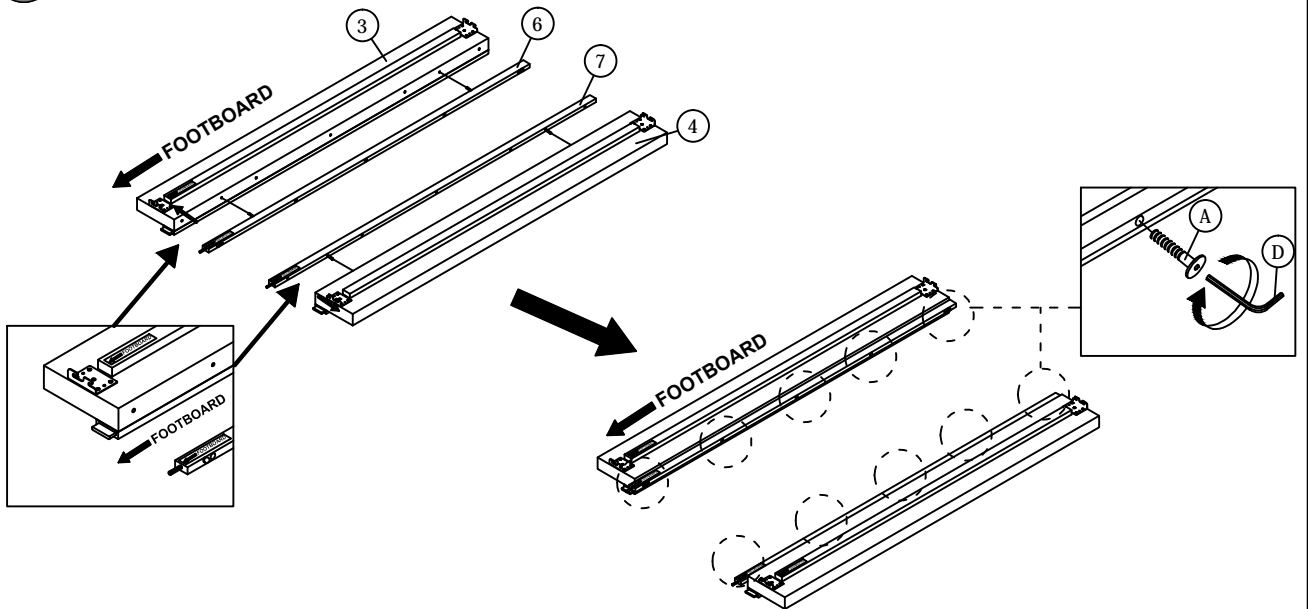
1



2

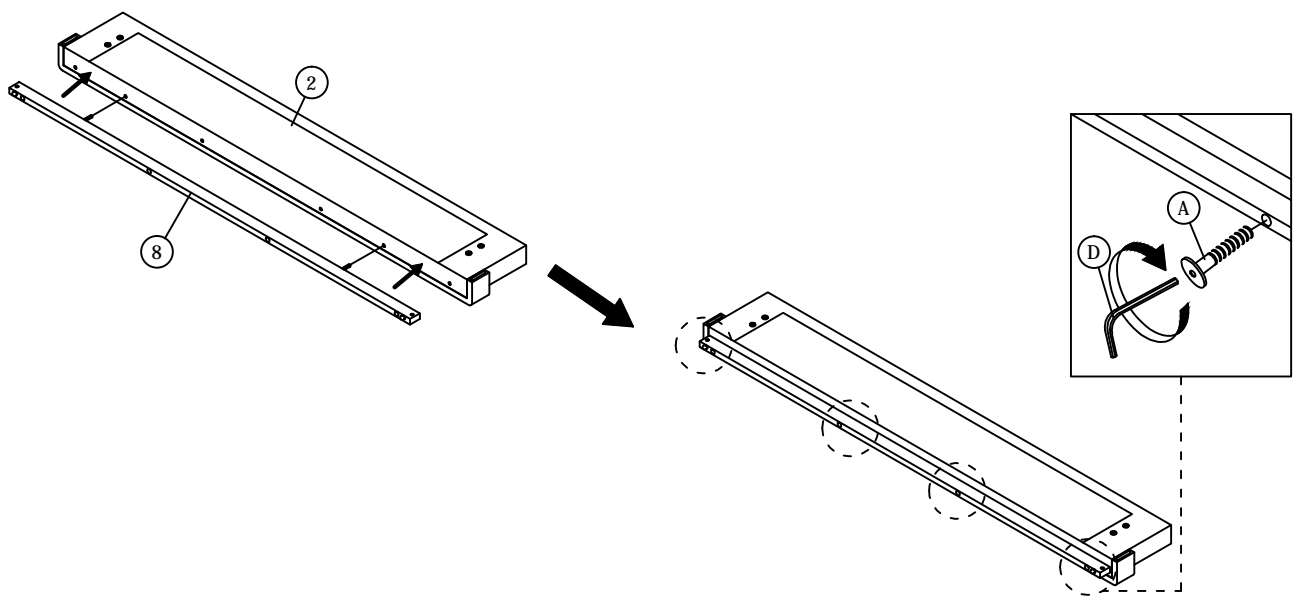


3



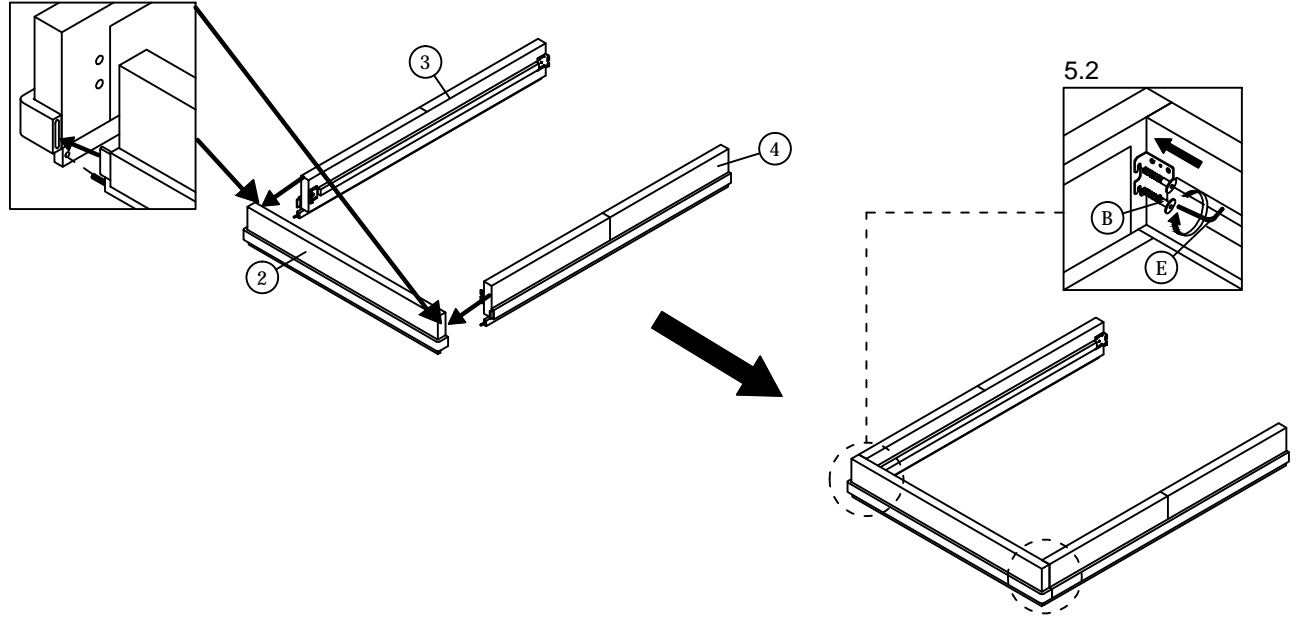
ASSEMBLY INSTRUCTIONS

4



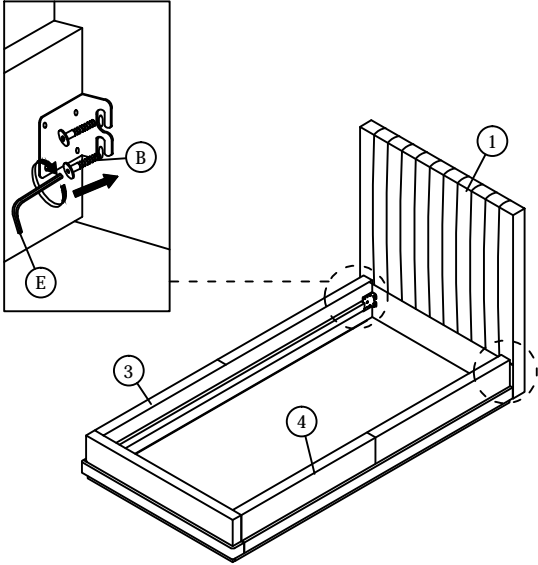
5

5.1

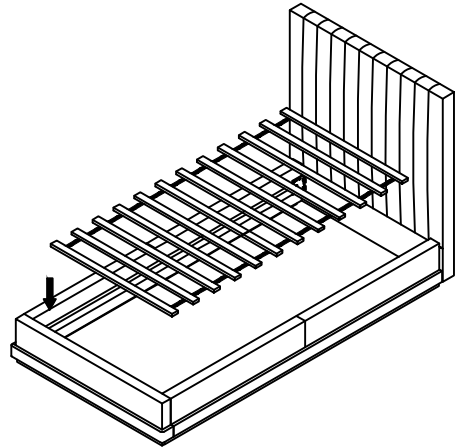


ASSEMBLY INSTRUCTIONS

6



7



8

