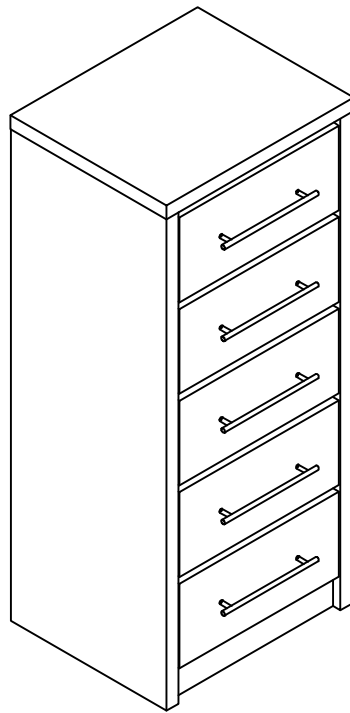


5 DRAWER NARROW CHEST ASSEMBLY INSTRUCTIONS



FOR DOMESTIC USE ONLY
IMPORTANT
PLEASE READ BEFORE YOU CONTINUE FURTHER

THE PRODUCT YOU HAVE PURCHASED WILL GIVE YOU MANY YEARS OF SERVICE IF YOU FOLLOW THE GUIDELINES FOR ITS SAFE ASSEMBLY AND PERIODIC MAINTENANCE **AND CLEANING.**

ASSEMBLE ON A SOFT CLEAN **SURFACE.**

DO NOT USE ANY TOOLS OTHER THAN THOSE **SHOWN.**

ANY SPANNERS OR ALLEN KEYS REQUIRED ARE INCLUDED WITH THE **FITTINGS KIT.**

DO NOT FOR ANY REASON USE A POWER TOOL TO ASSEMBLE THIS PRODUCT. ITS USE WILL INVALIDATE ANY CLAIM YOU MAY HAVE AND COULD MAKE THIS PRODUCT UNSAFE.

DEPENDING ON THE AMOUNT OF USE THIS PRODUCT RECEIVES, IT MAY BE NECESSARY TO TIGHTEN UP THE FIXINGS FROM TIME TO TIME. THIS IS COMPLETELY NORMAL FOR ANY FLAT PACK FURNITURE. DO NOT OVERTIGHTEN FIXINGS.














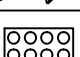
FOR CLEANING, YOU MAY USE A DAMP CLOTH (NOT WET). DO NOT USE POLISH, DETERGENT OR CHEMICAL CLEANERS.

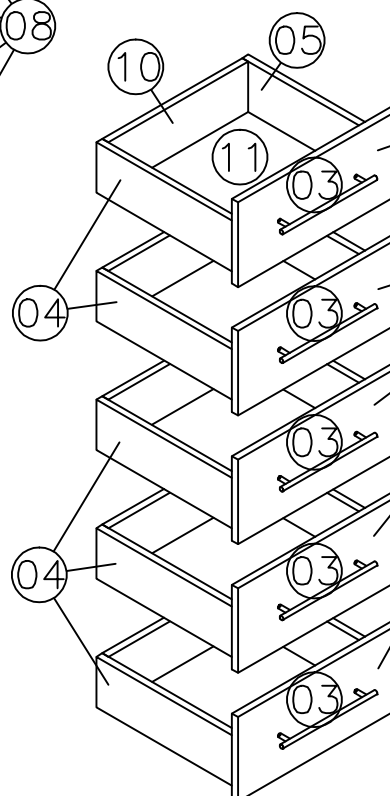
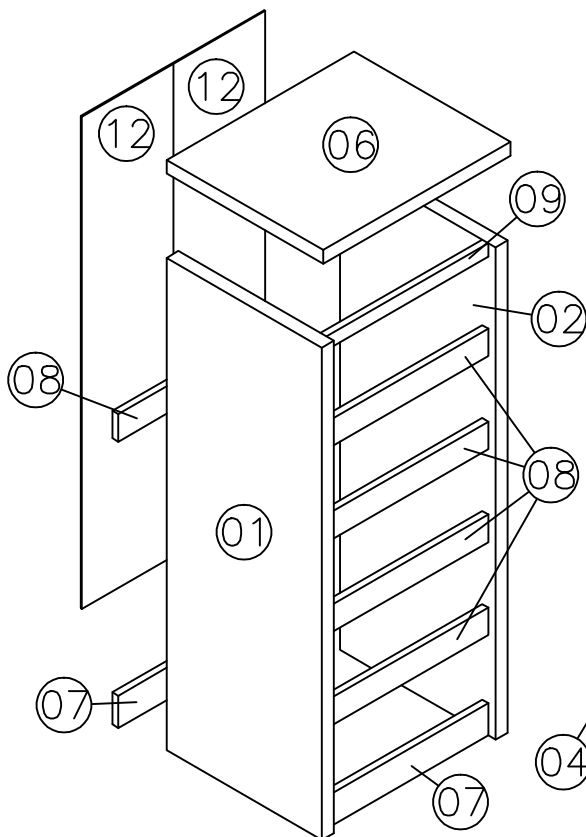
THE SURFACE OF THIS ITEM IS NOT HEAT RESISTANT. ALWAYS USE A PLACE MAT UNDER HOT OR COLD ITEMS TO PREVENT MARKING.

PART LIST

No.	Part Name	QTY
1	Left Side Panel	x1
2	Right Side Panel	x1
3	Drawer Front	x5
4	Left Drawer Side	x5
5	Right Drawer Side	x5
6	Top Panel	x1
7	Crossbar	x2
8	Support	x5
9	Support Panel	x1
10	Drawer Back	x5
11	Drawer Base	x5
12	Back Panel	x2

HARDWARE LIST

	Part Name		QTY
A	Wooden Dowel		x36
B	60mm Screw		x14
C	16mm Screw		x44
D	38mm Screw		x20
E	Cam Bolt		x14
F	Cam Nut		x14
G	10" Handle (192mm)		x5
H	20mm Handle Screw		x10
I	14" Drawer Slide		5 Set
J	PVC L –Bracket		x1
K	Plastic Foot		x4
L	Nail		x38
M	WALL FIXING		x1
N	Screw Cover		x14

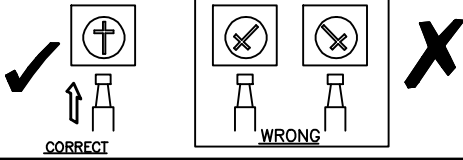


!

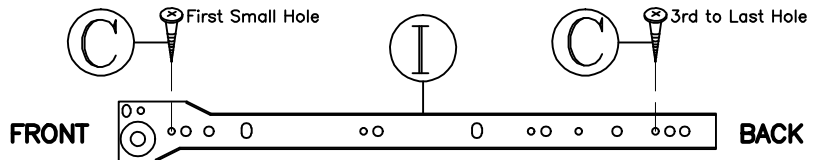
PLEASE NOTE THE CLEAR PROTECTIVE FILM WHICH NEEDS REMOVING FROM THE GLOSS FINISH.

When Fitting Cams

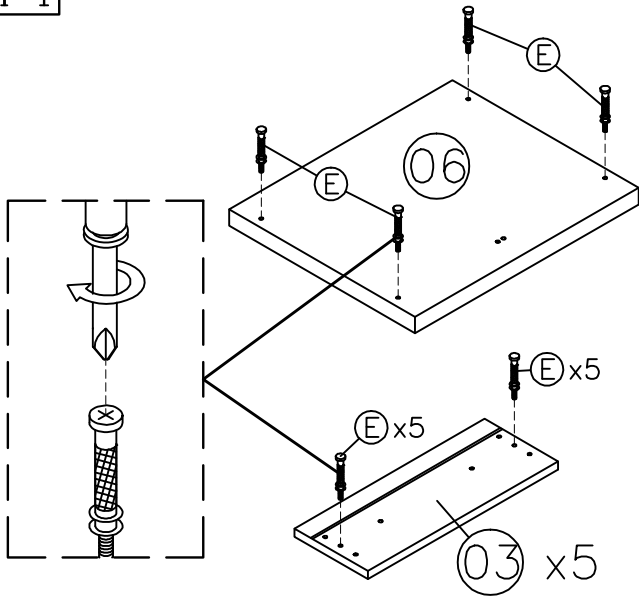
Ensure starting position correct before you insert connecting bolt turn clockwise until secure.



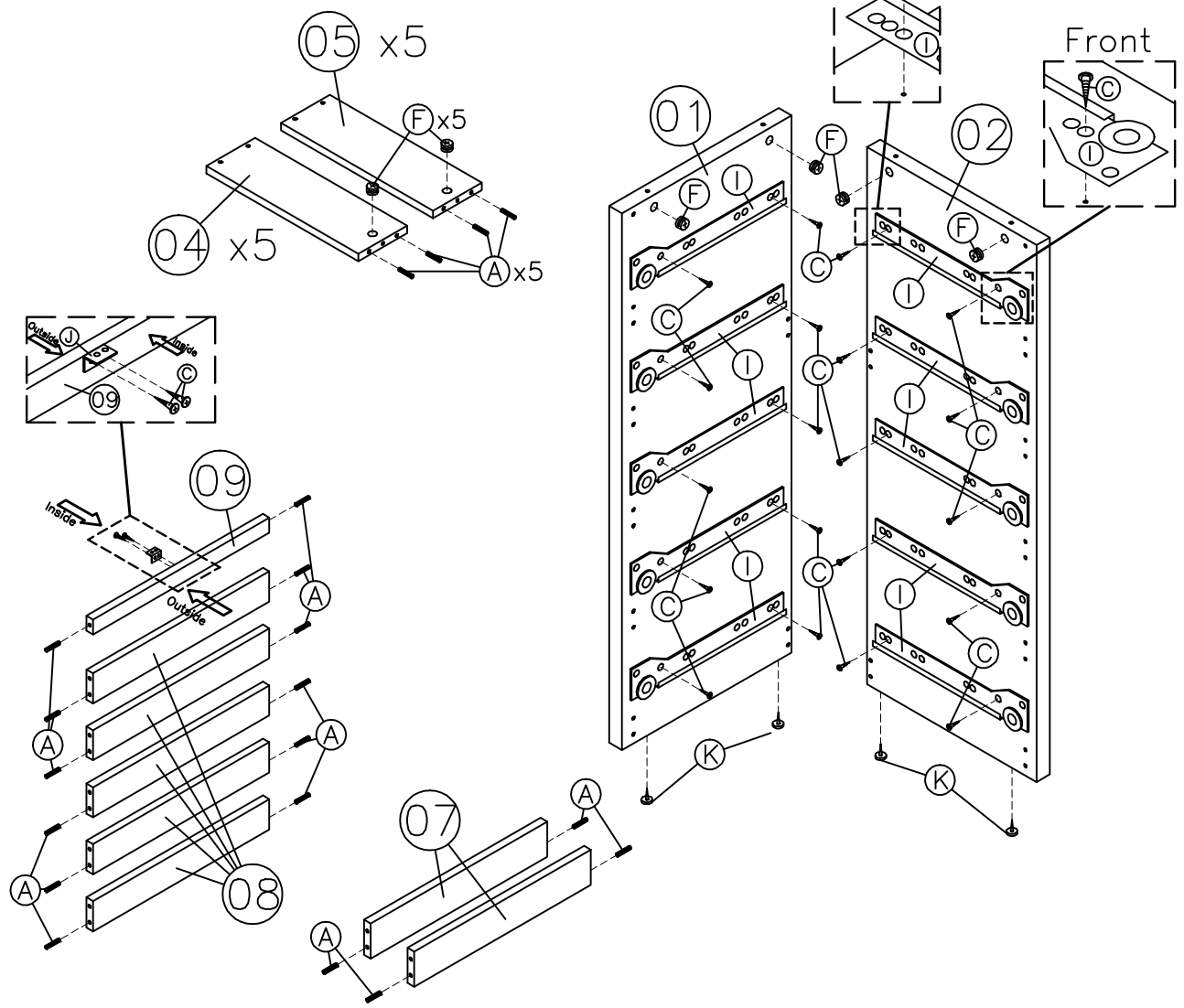
To Assemble the Drawer Slide. Please Follow Step as Below



STEP 1

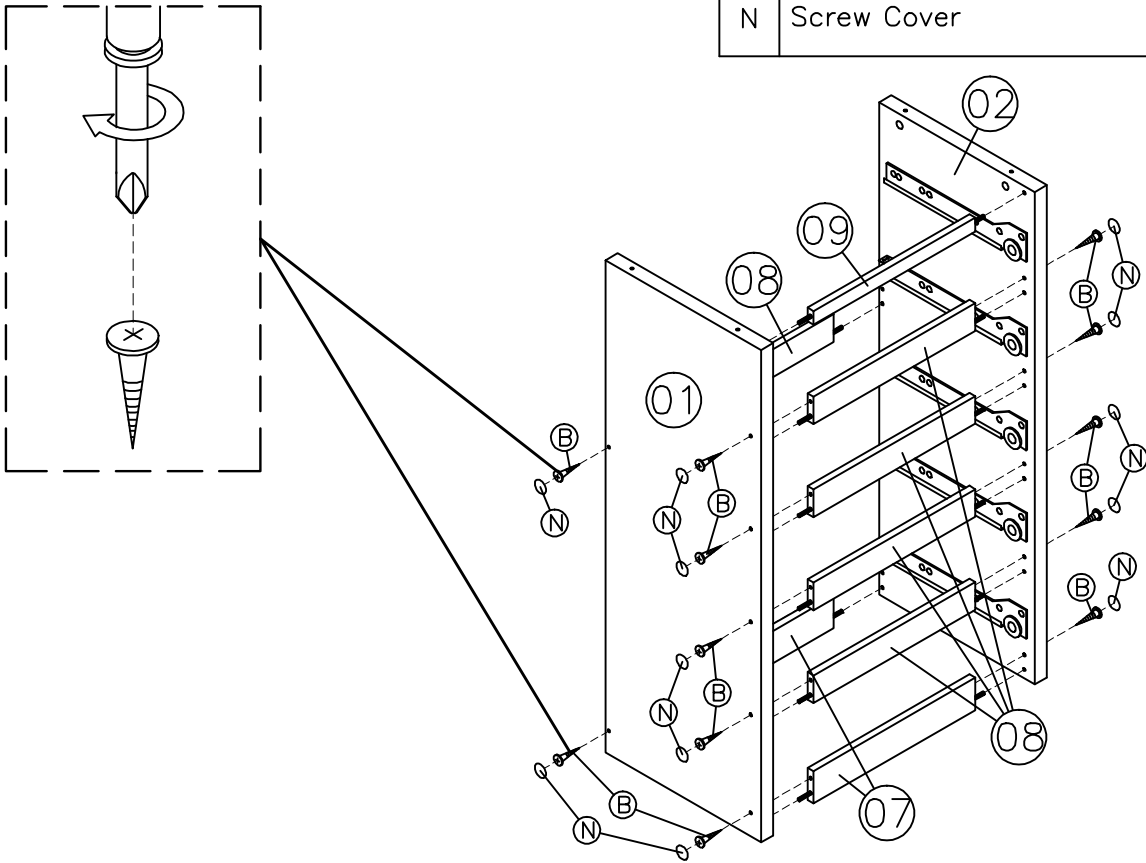


A	Wooden Dowel		x36
C	16mm Screw		x22
E	Cam Bolt		x14
F	Cam Nut		x14
I	14" Drawer Slide		5 Set
J	PVC L – Bracket		x1
K	Plastic Foot		x4



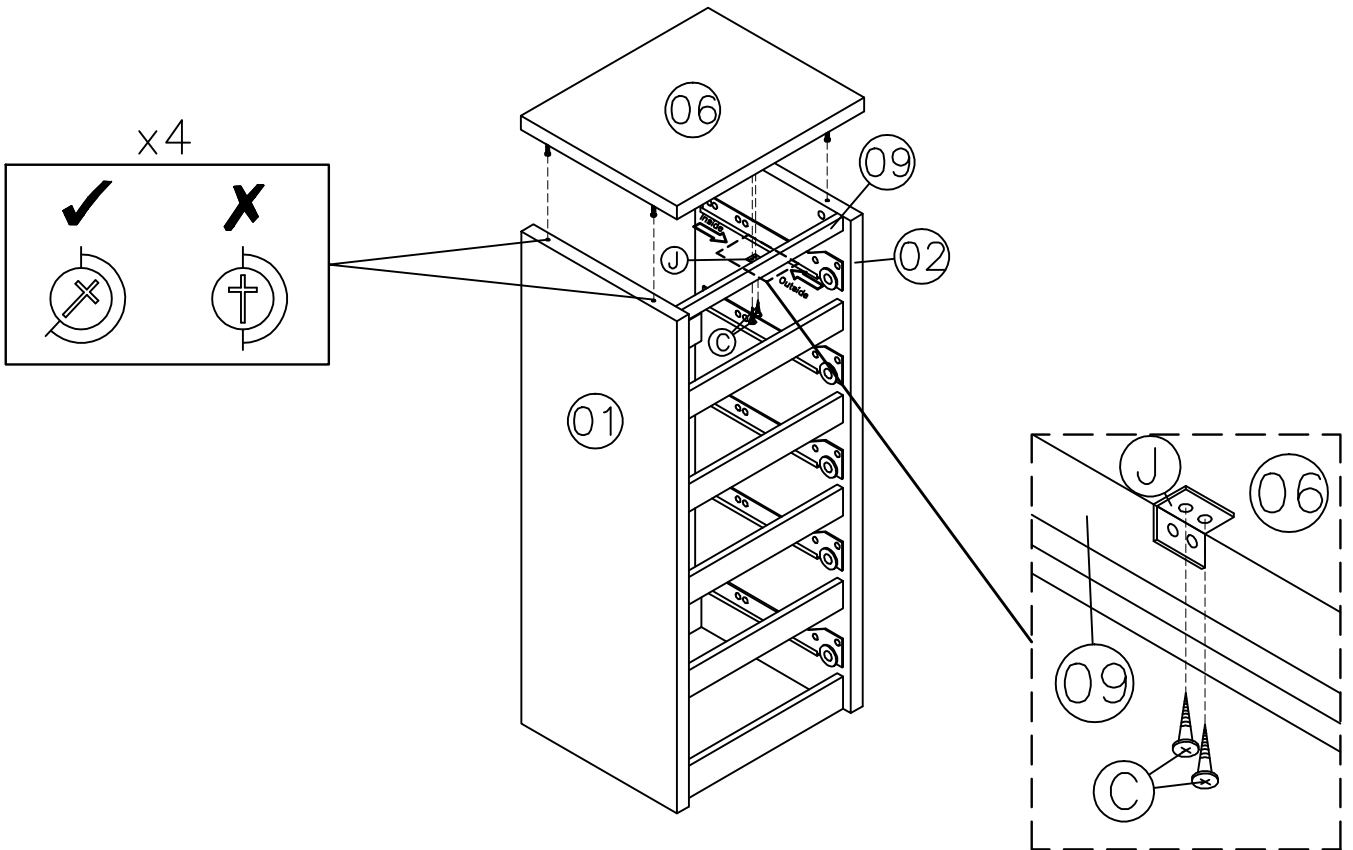
STEP 2

B	60mm Screw		x14
N	Screw Cover		x14




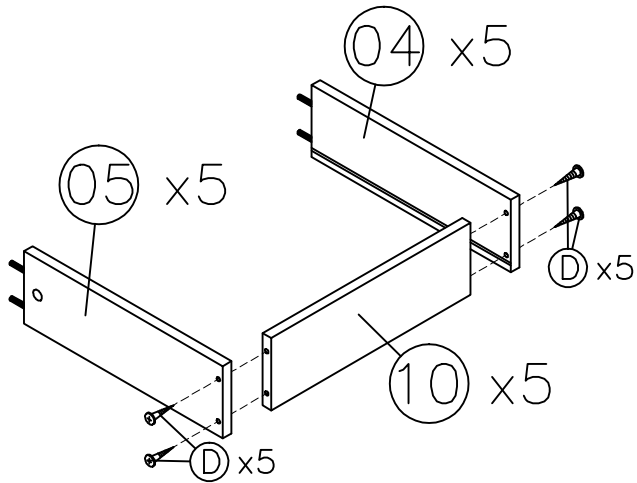
STEP 3

C	16mm Screw		x2
---	------------	---	----

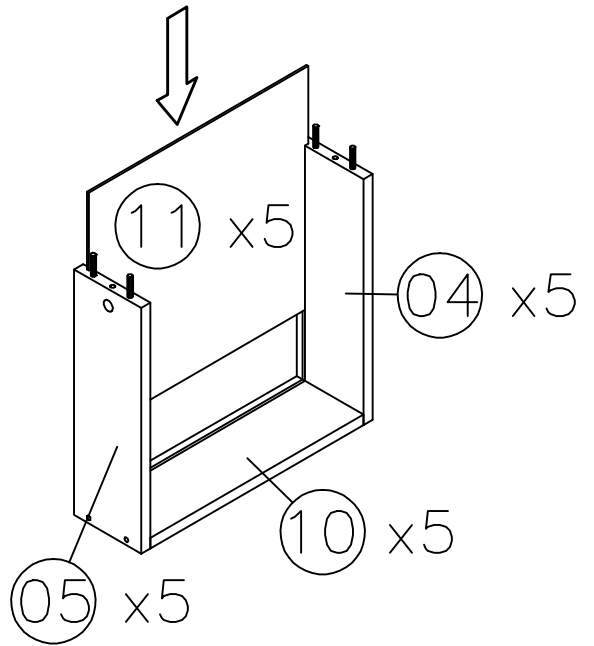


STEP 4

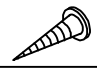

D	38mm Screw		x20
---	------------	---	-----

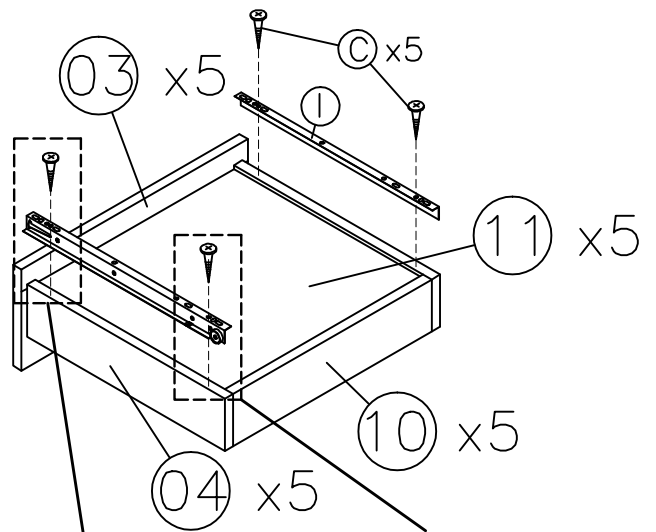


STEP 5

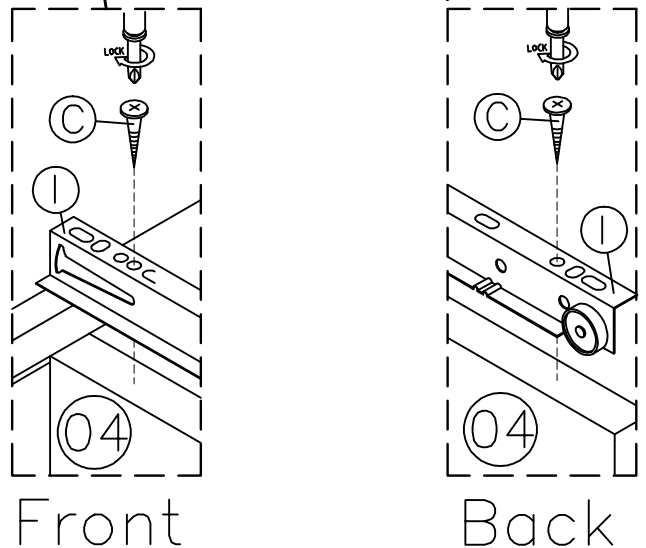
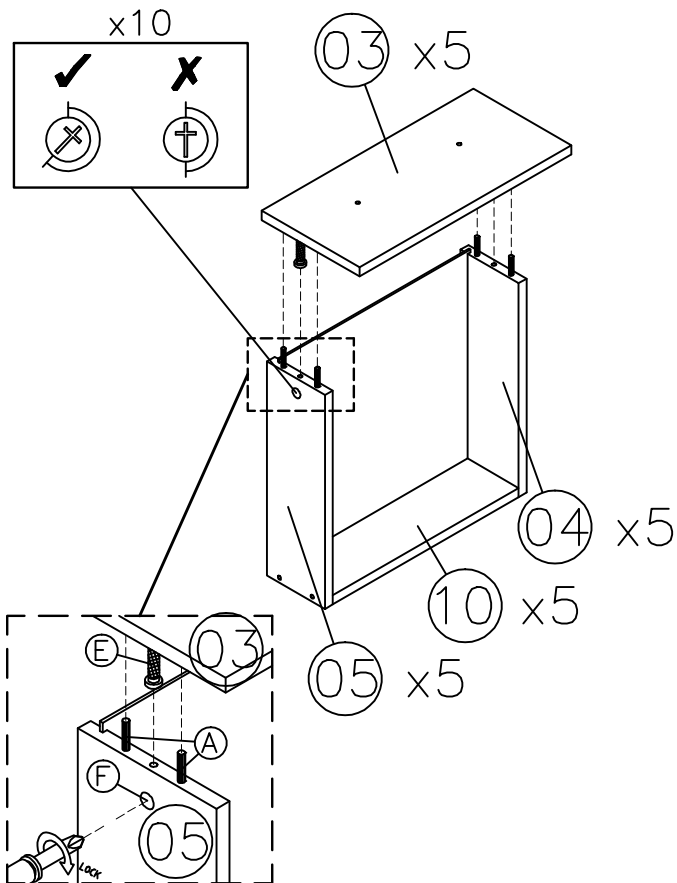


STEP 7

C	16mm Screw		x20
I	14" Drawer Slide		5 Set

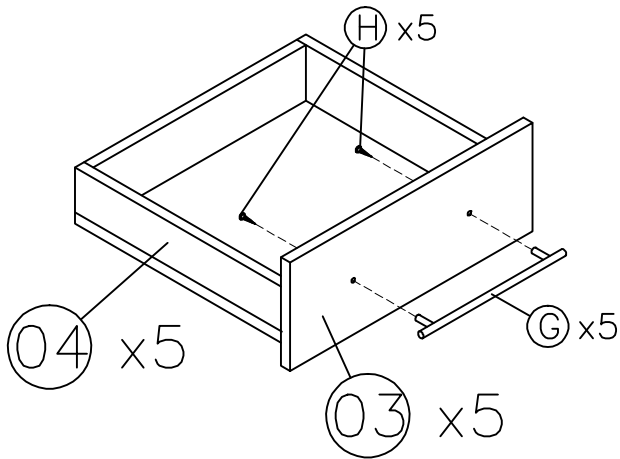


STEP 6




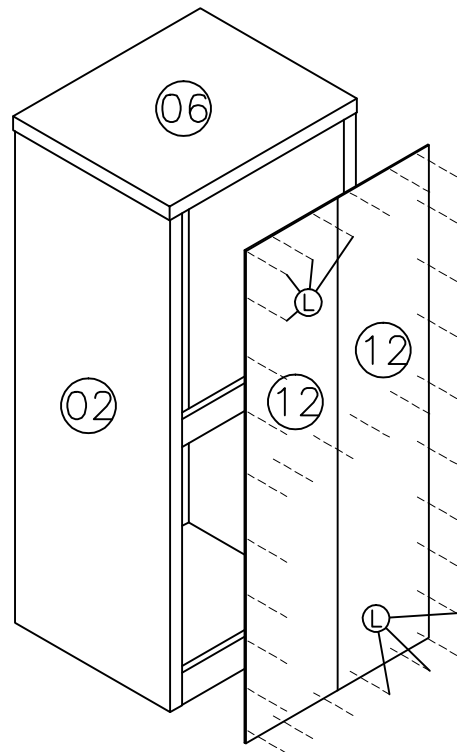
STEP 8

G	10" Handle (192mm)		x5
H	20mm Handle Screw		x10



STEP 9

L	Nail		x38
---	------	---	-----



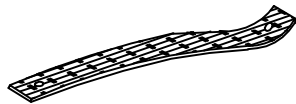
STEP 10

WARNING

Serious or fatal injuries can occur from furniture tipping over. To prevent the furniture from tipping over we recommend that it is permanently fixed to the wall.

Wall fixings are not supplied with this product as different wall materials require different types of fixing devices. Please make sure you use fixings suitable for the walls in your home.

HARDWARE LIST



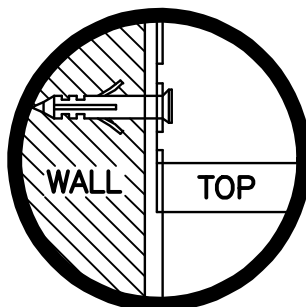
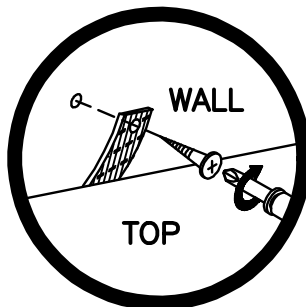
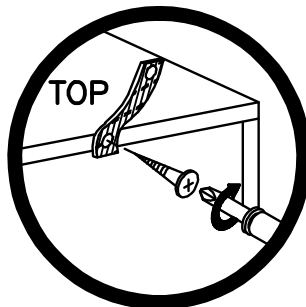
Anti-Tip Strap – 1pc



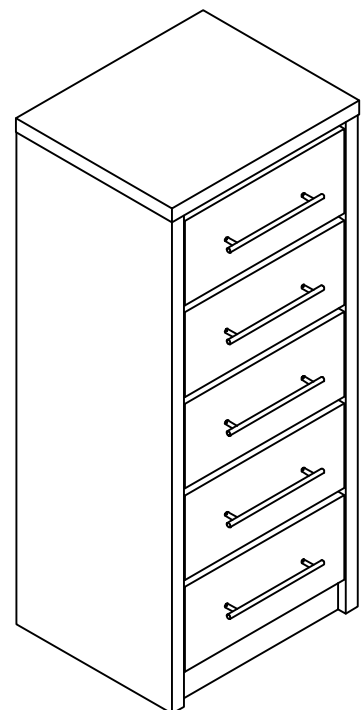
Screw 16mm – 1pc



Screw 25mm – 1pc



STEP 11



FINISH