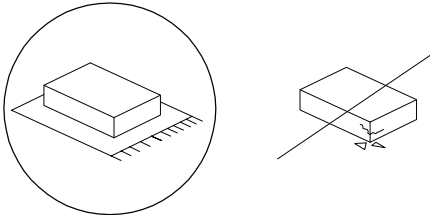

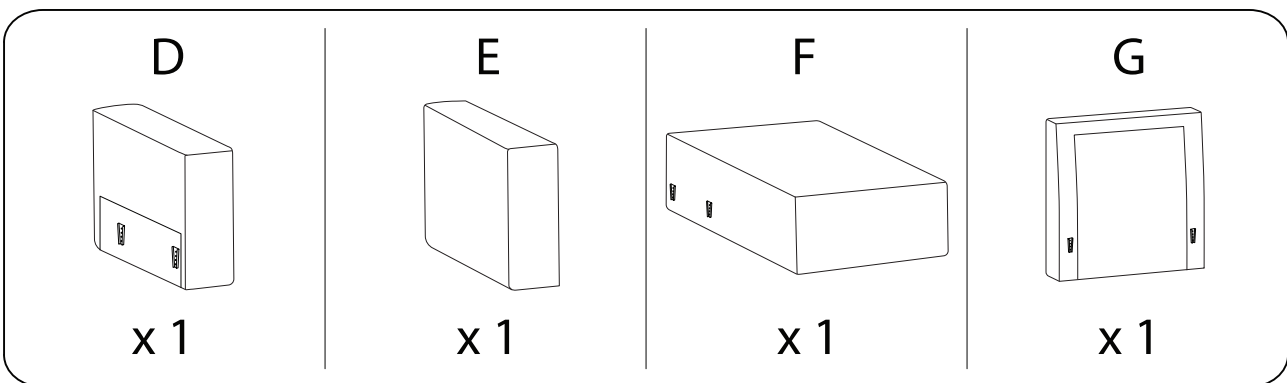
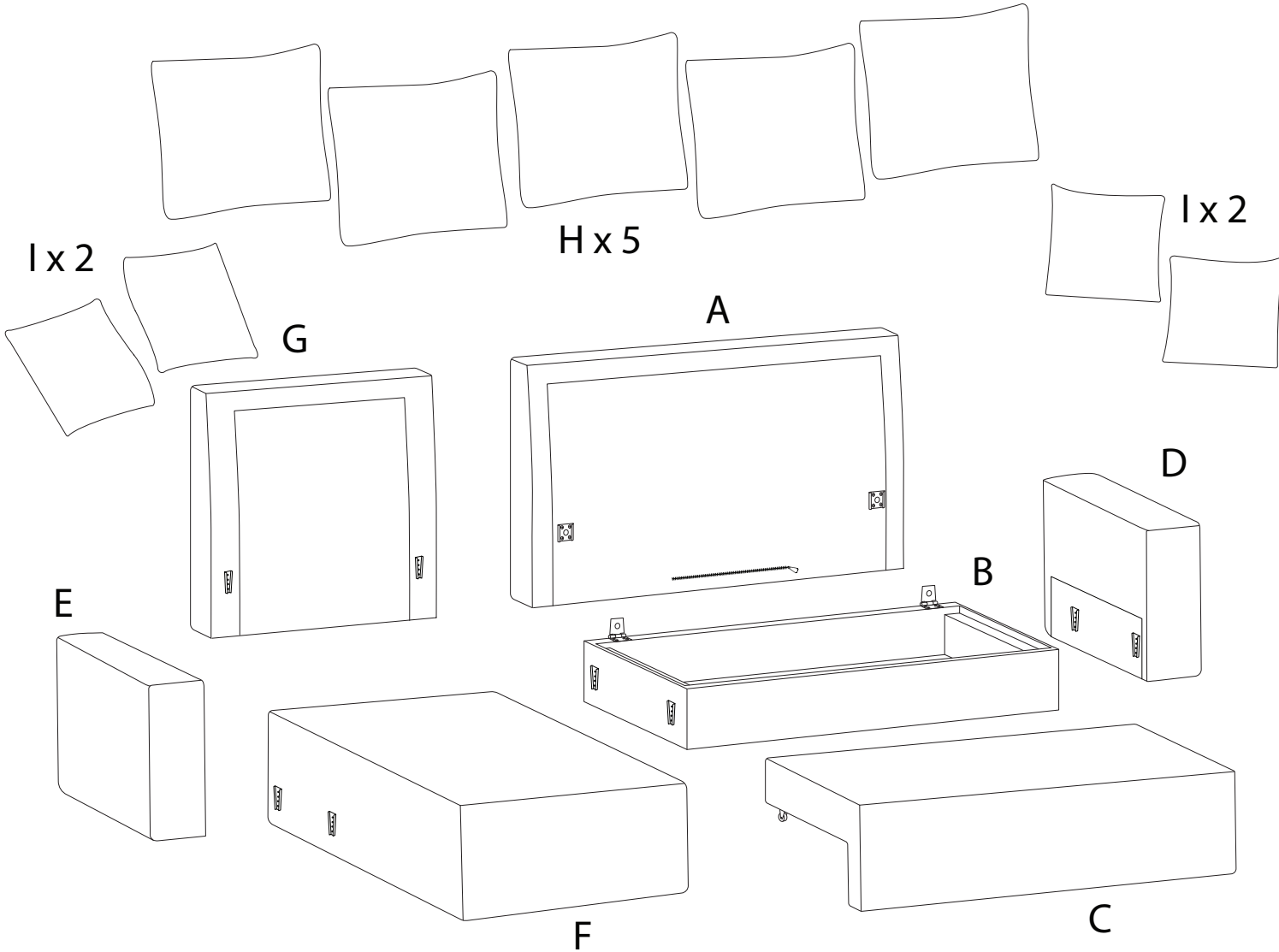
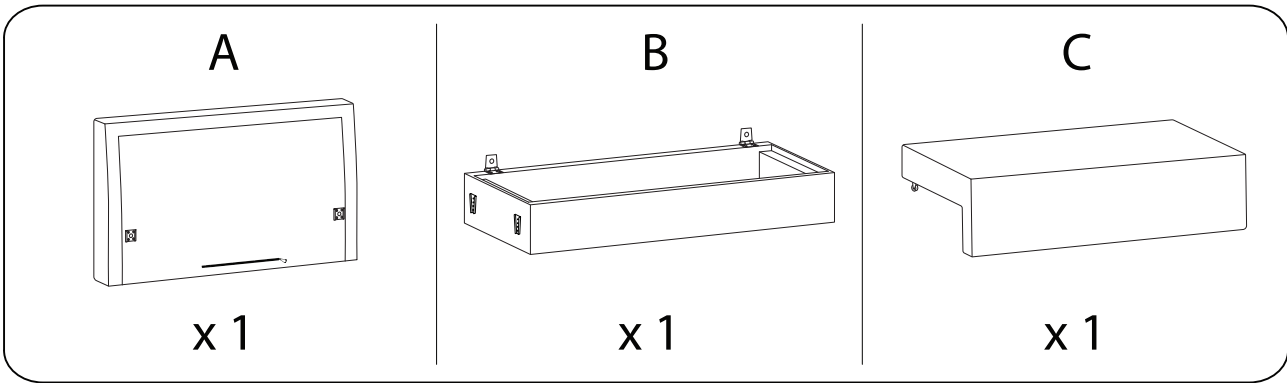
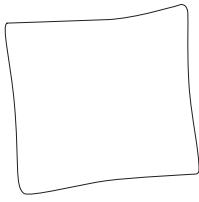
	<p>20'</p>
		
		<p>2</p>

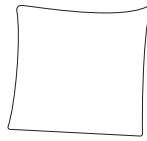


H



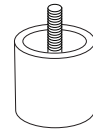
x 5

I



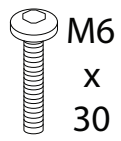
x 4

J



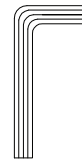
x 14

K



x 2

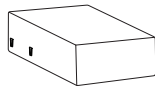
L



x 1

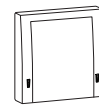
1

F

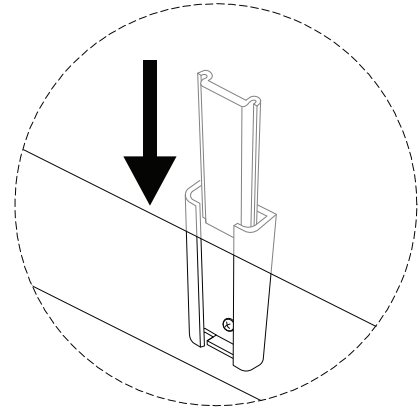
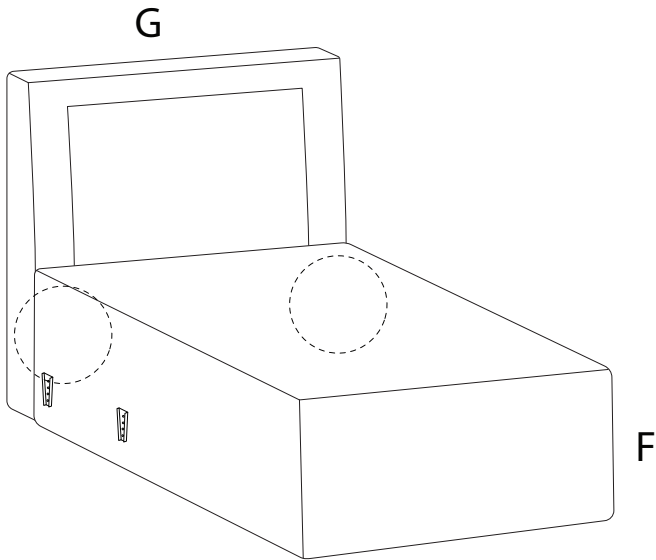


x 1

G

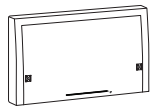


x 1



2

A



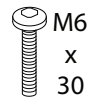
x 1

B



x 1

K

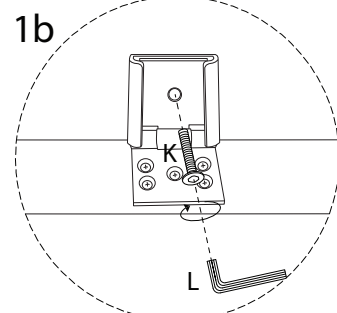
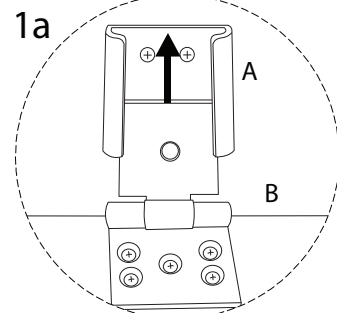
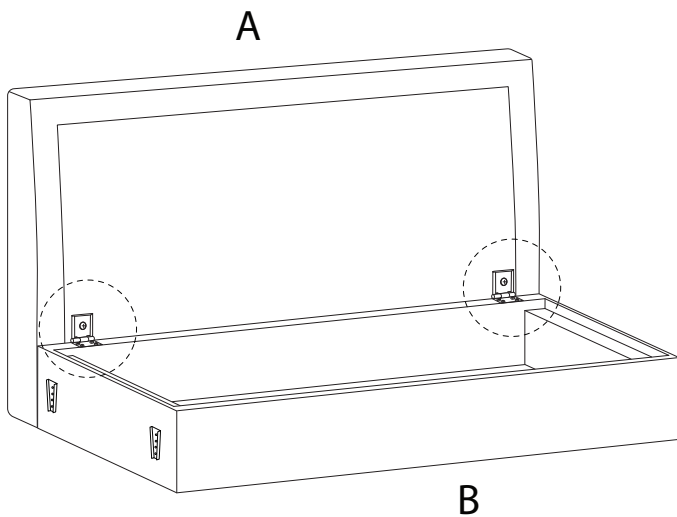


x 2

L

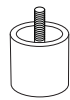


x 1

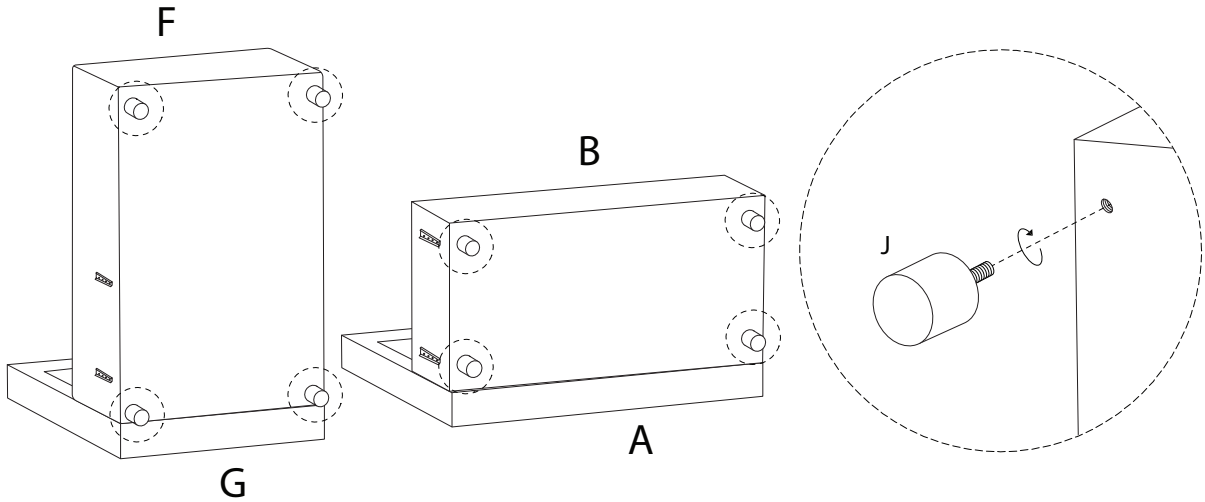


3

J



x 8



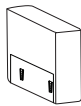
4

C



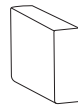
x 1

D



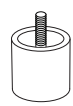
x 1

E

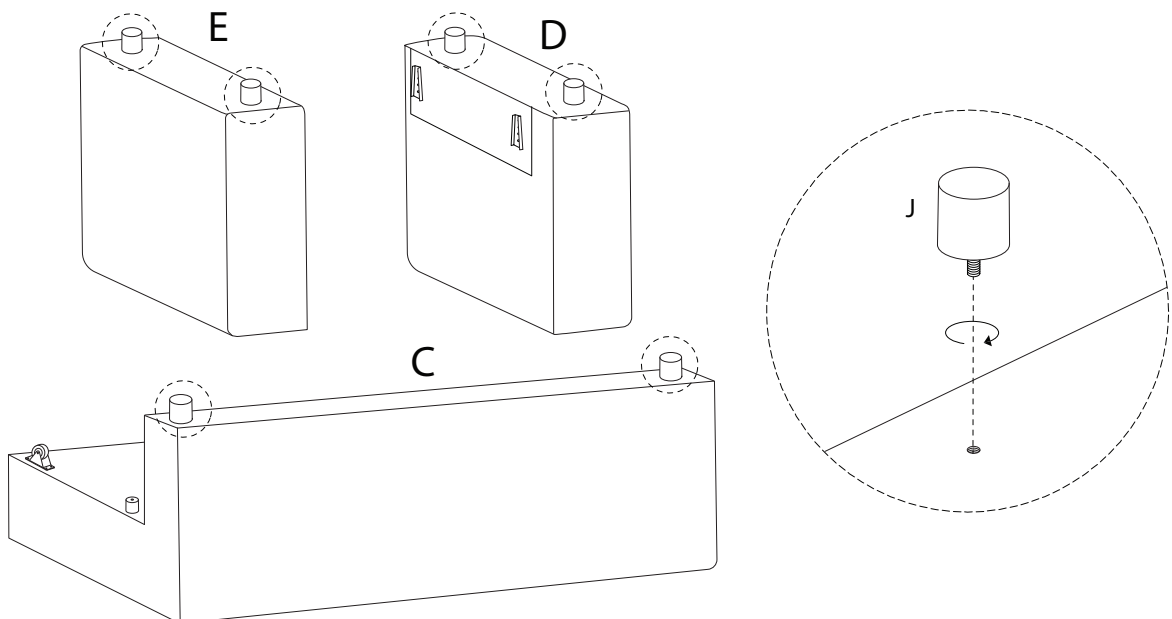


x 1

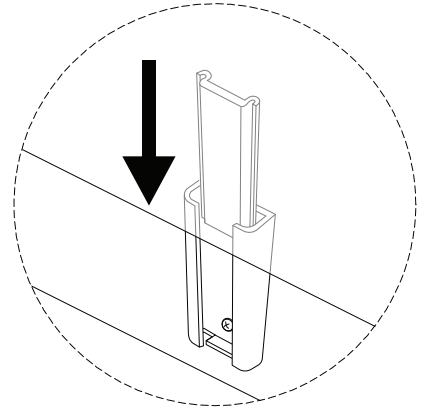
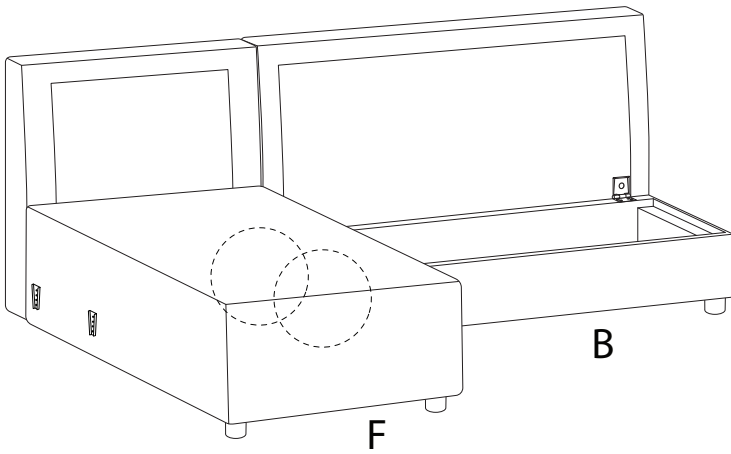
J



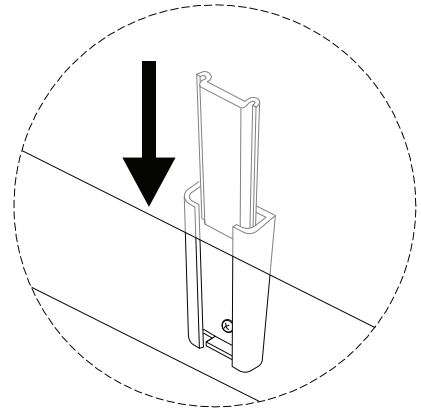
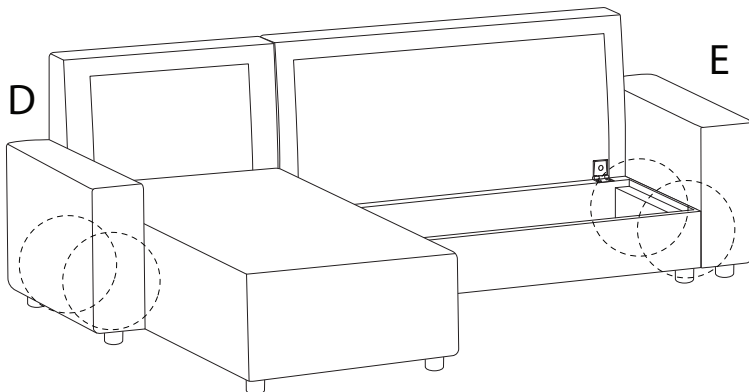
x 6



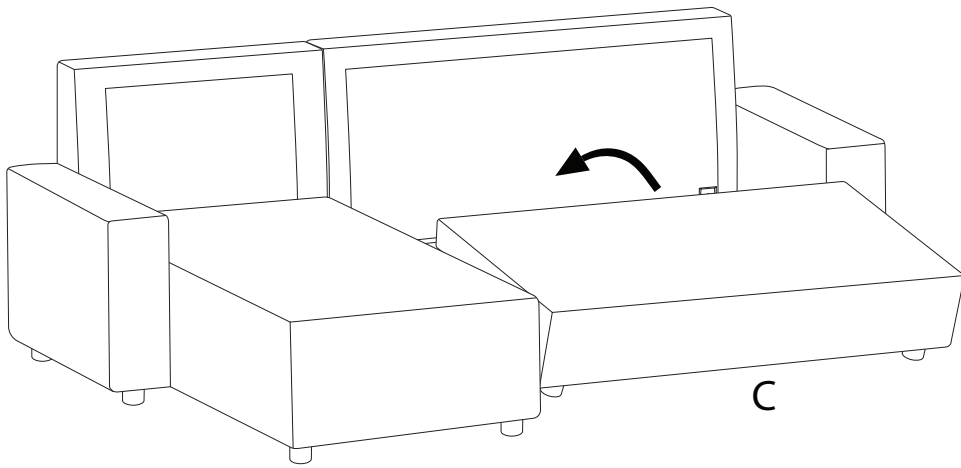
5



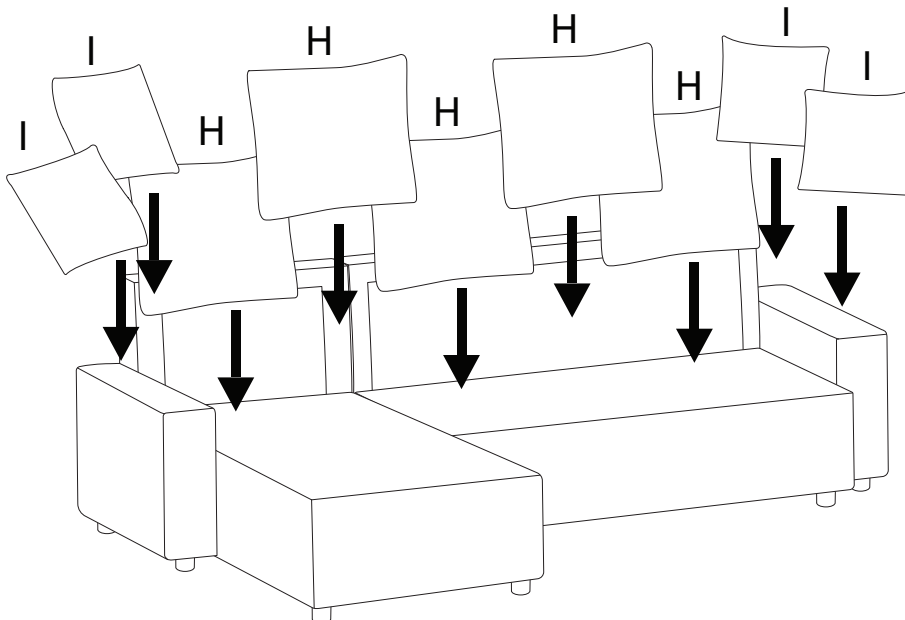
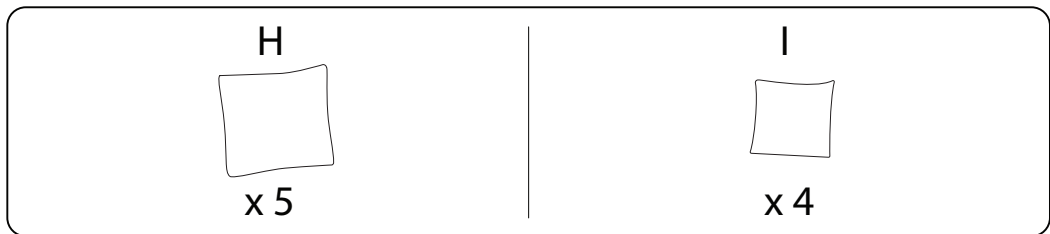
6



7



8



!

