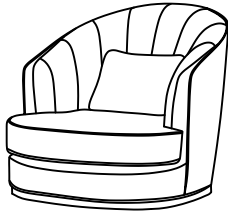
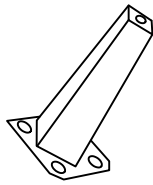


ASSEMBLY INSTRUCTION



A x 1



B x 4



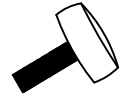
M6*20

C x 12



M6

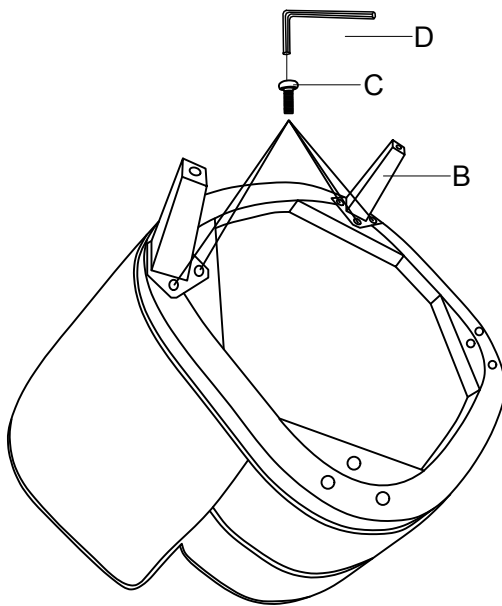
D x 1



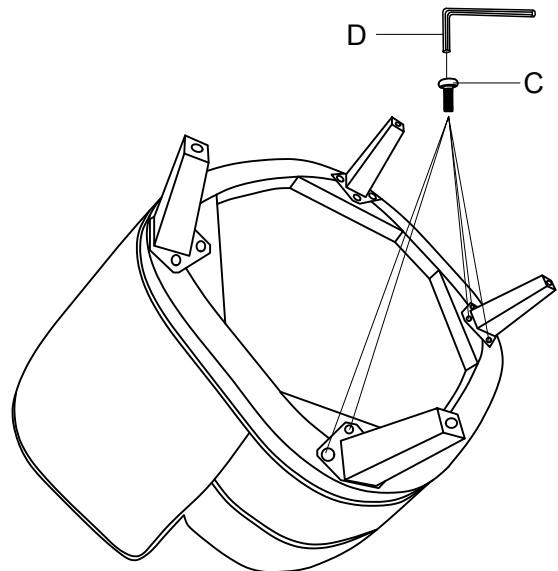
Adjustable foot cap

E x 4

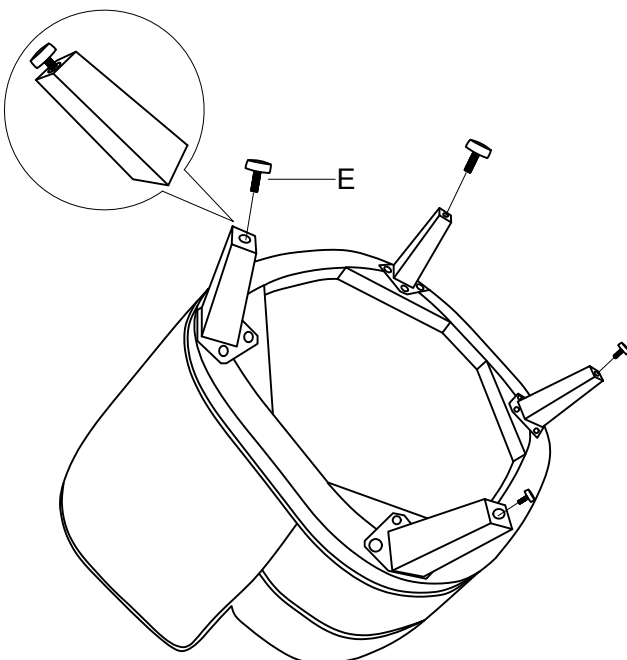
STEP 1



STEP 2



STEP 3



STEP 4

