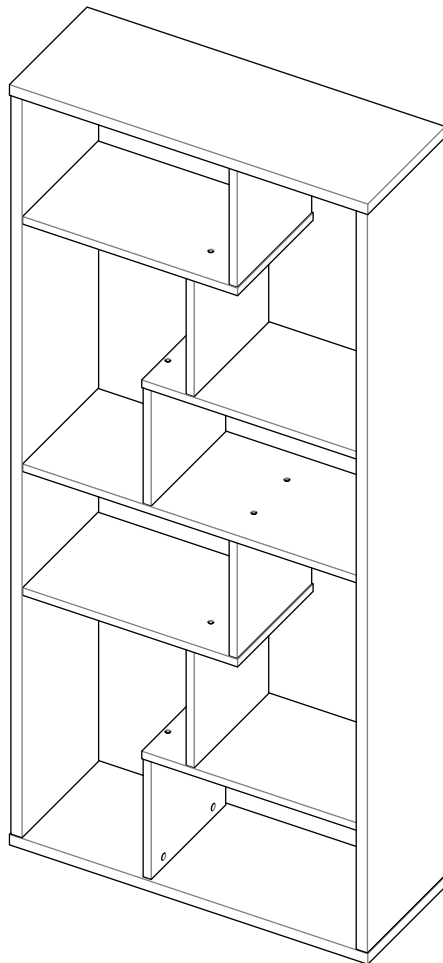
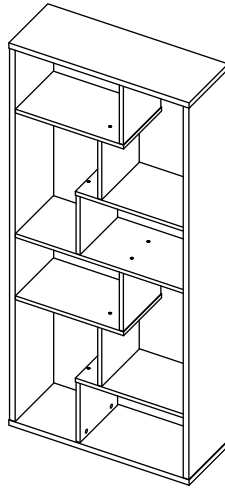


ASSEMBLY INSTRUCTIONS



BOOKCASE

BOOKCASE

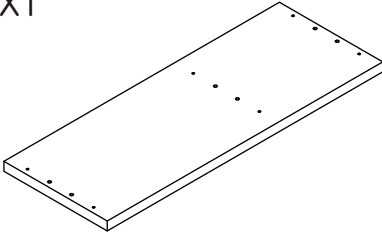


DIMENSIONS

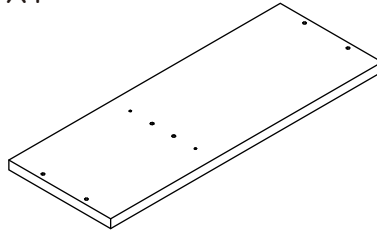
Width - 31.5"
Depth - 11.81"
Height - 70.87"

PARTS LIST

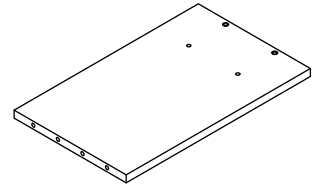
A X1



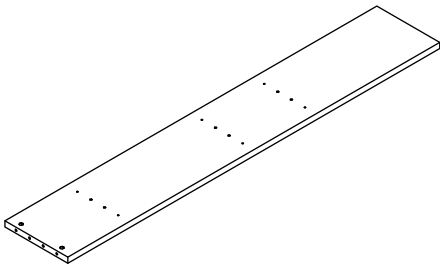
D X1



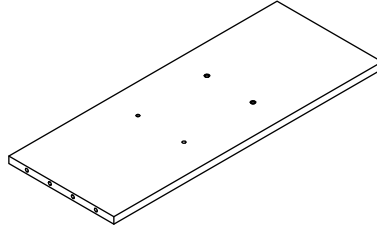
G X2



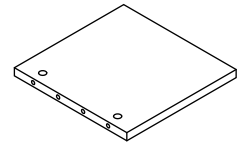
B X1



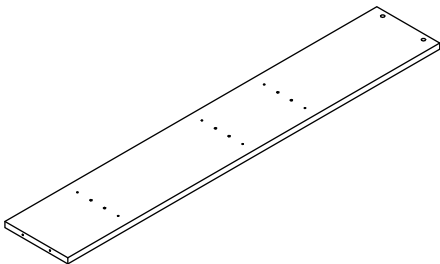
E X1



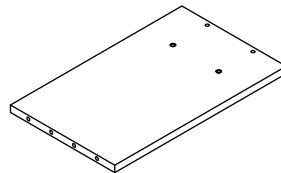
H X2



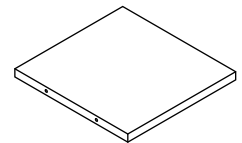
C X1



F X2



I X4



HARDWARE LIST

1 X20



2 X20



3 X20

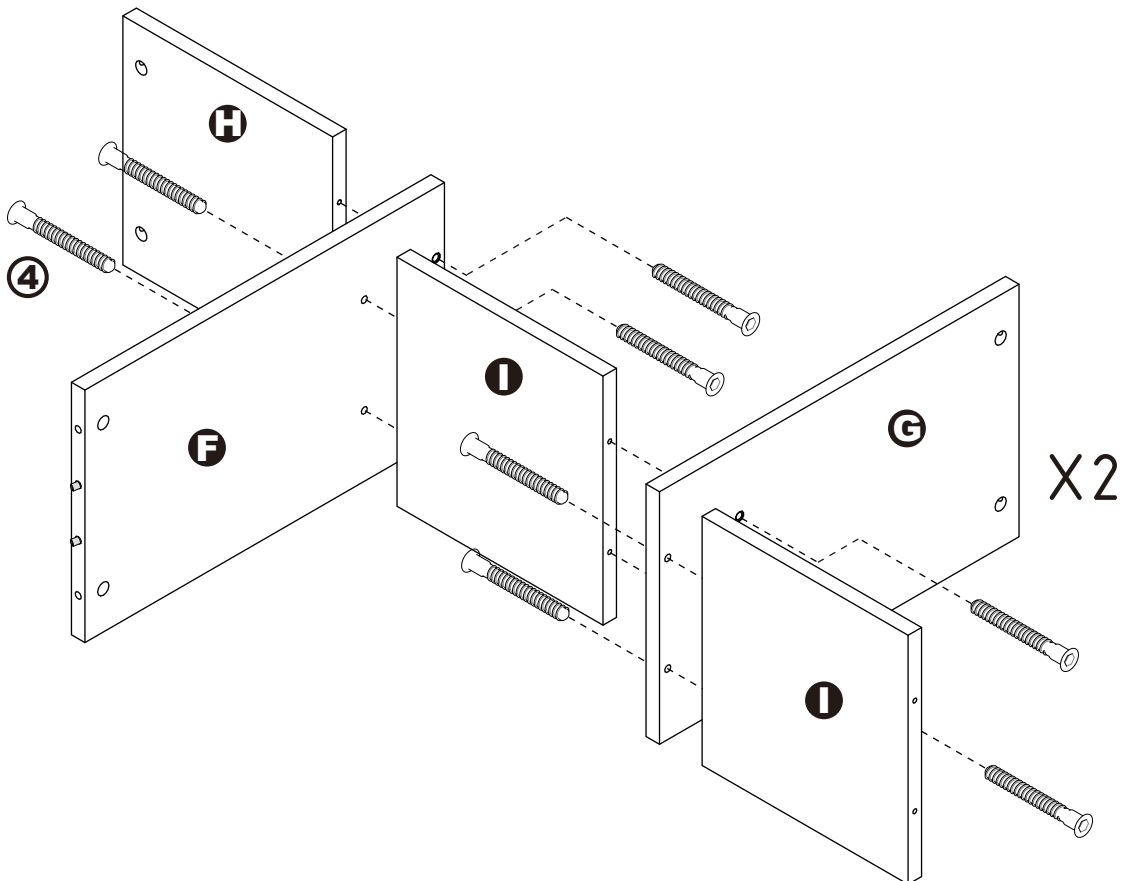
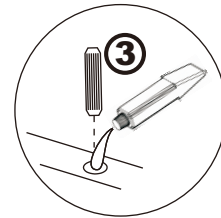
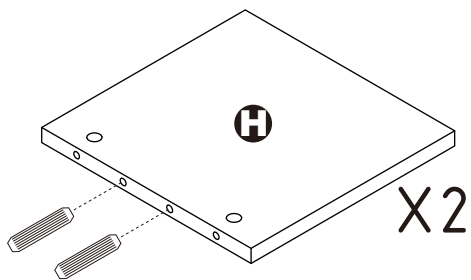
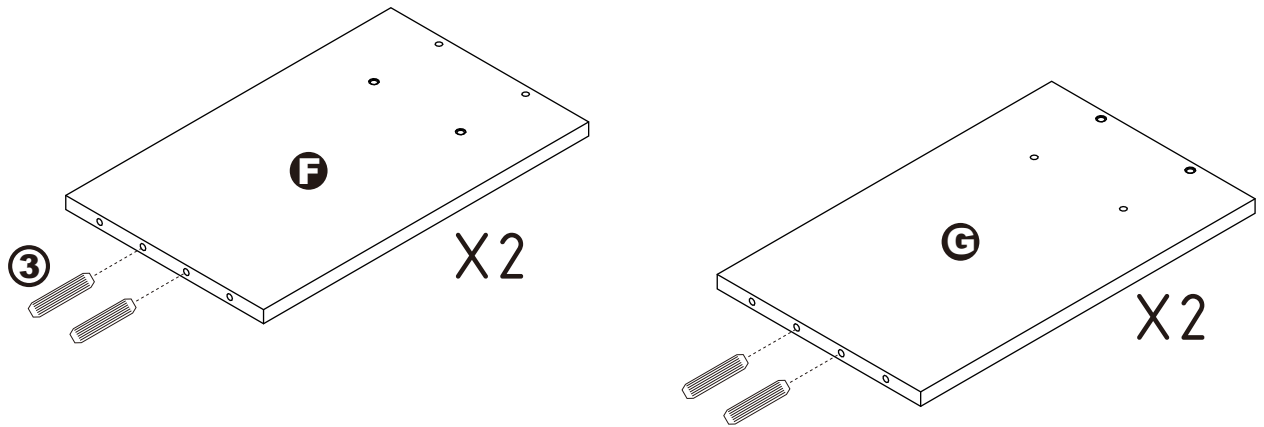


4 X24



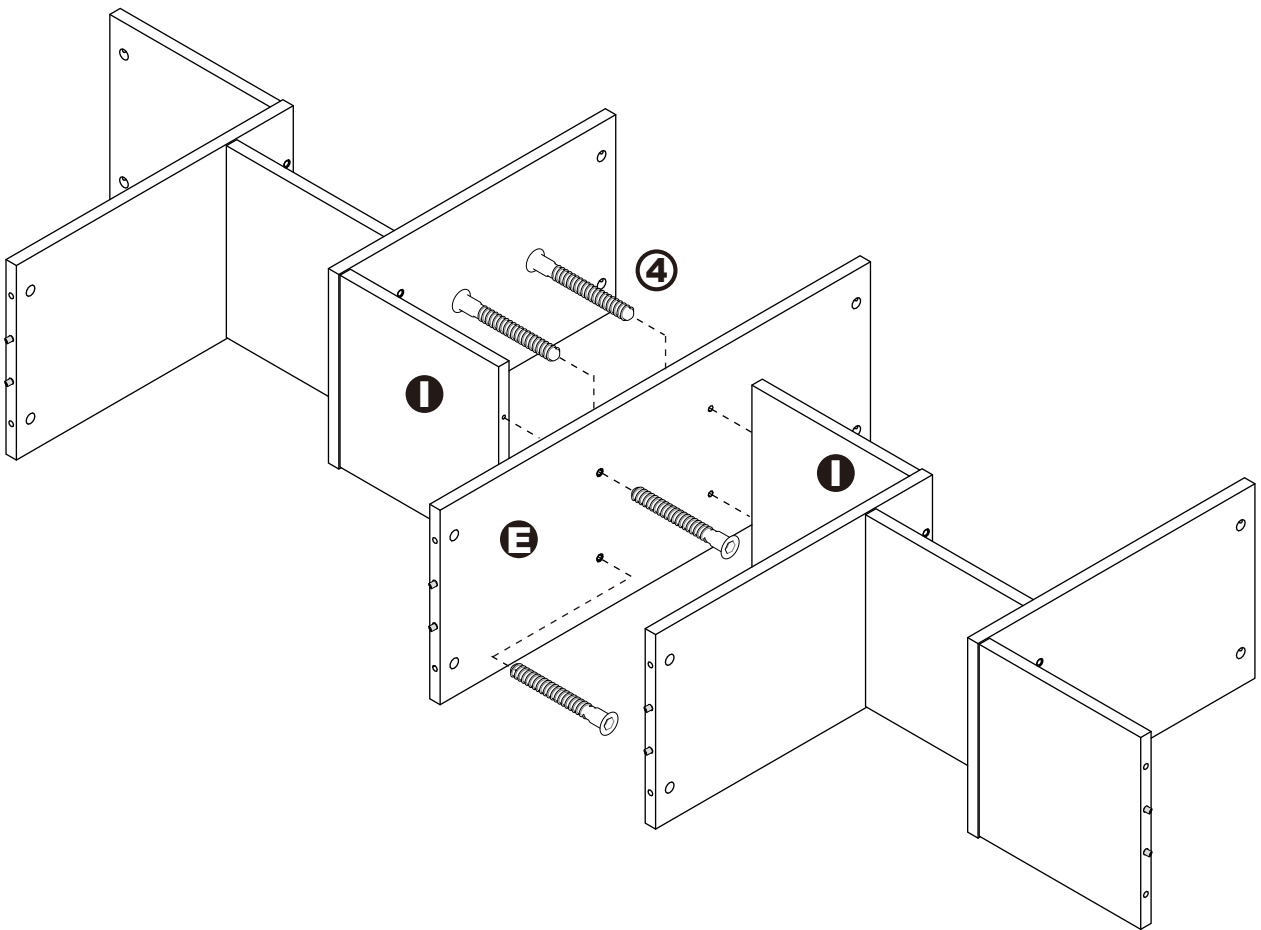
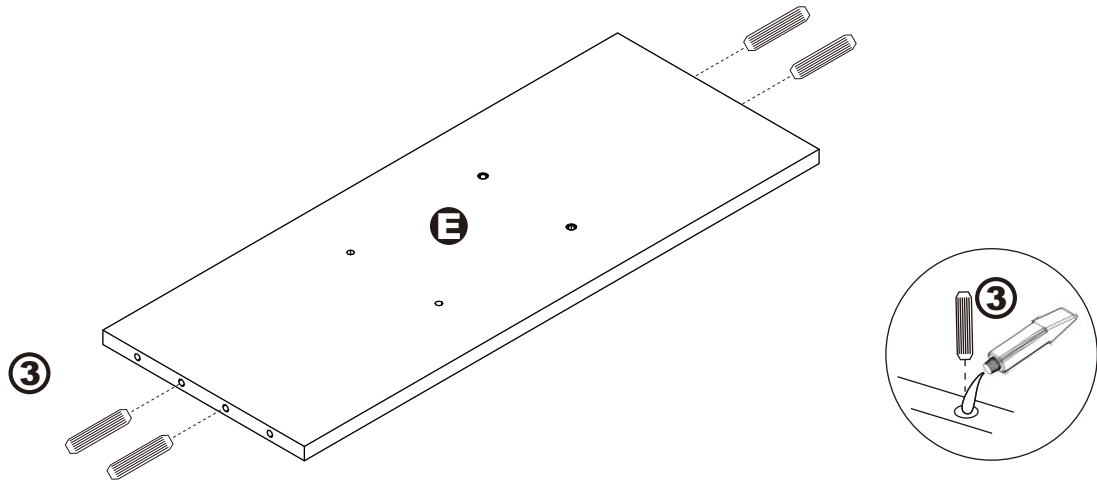
ASSEMBLY INSTRUCTIONS

Step 1.



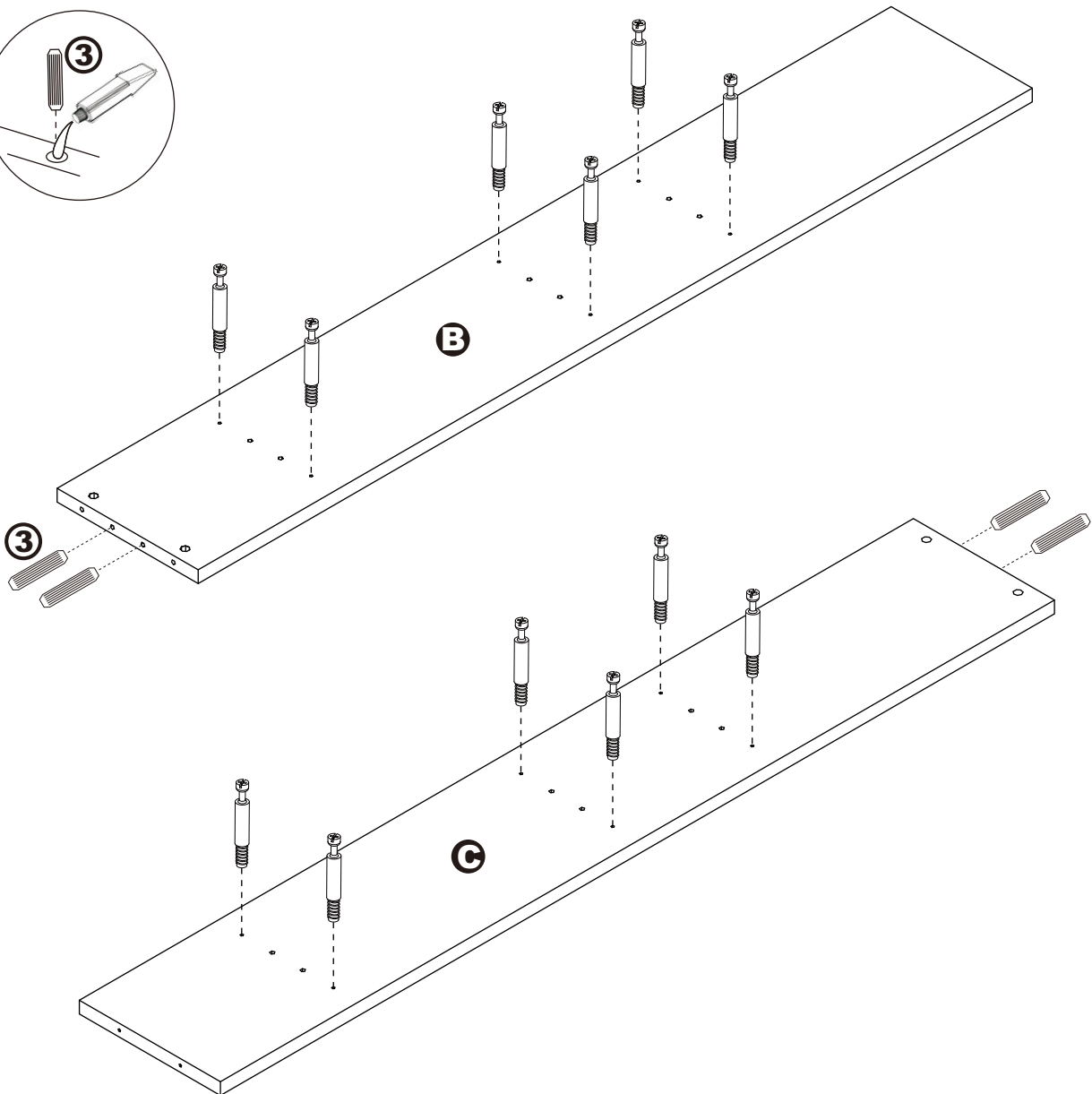
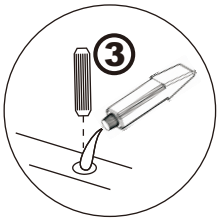
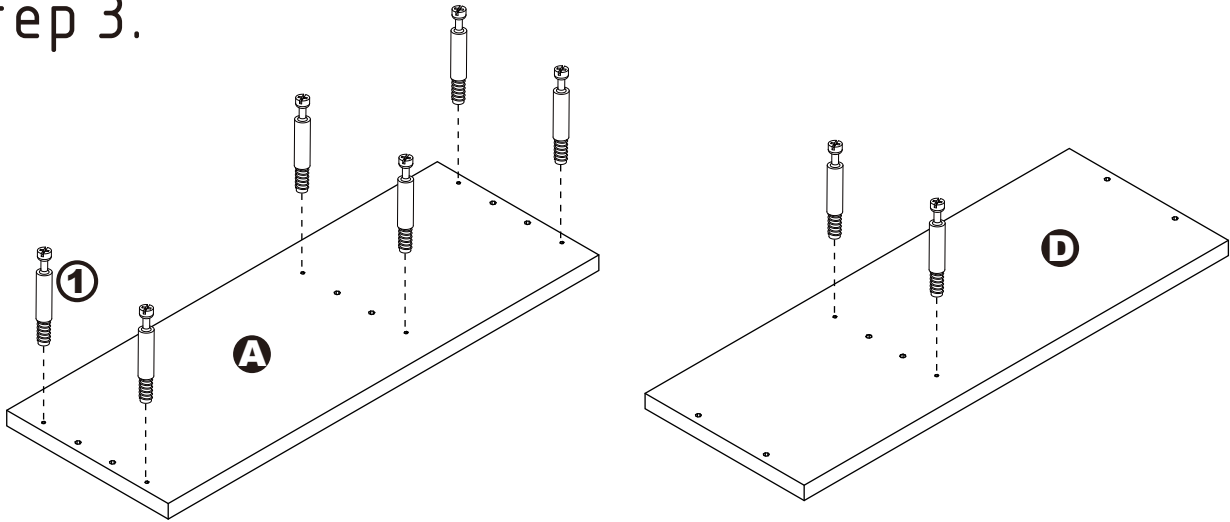
ASSEMBLY INSTRUCTIONS

Step 2.



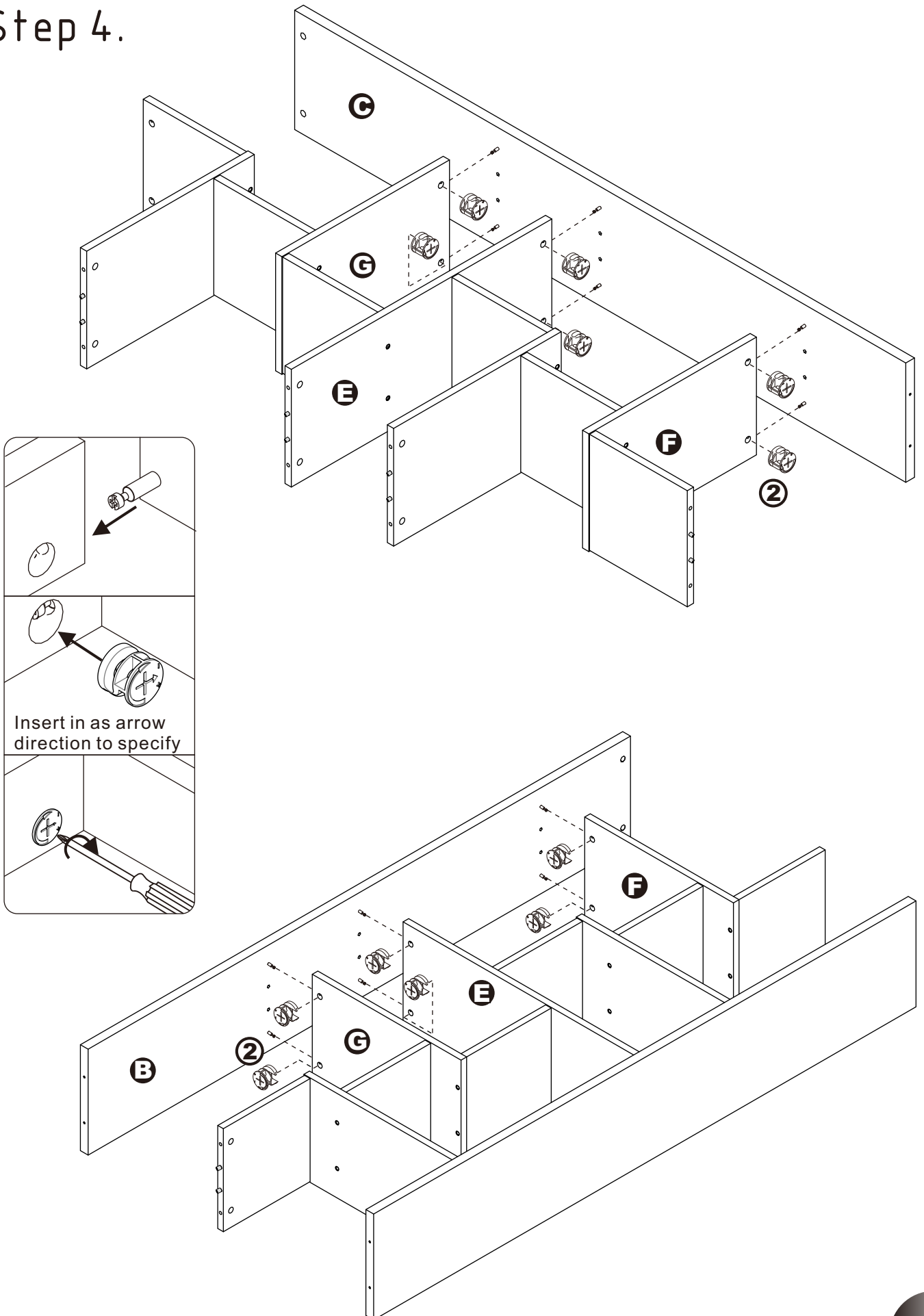
ASSEMBLY INSTRUCTIONS

Step 3.



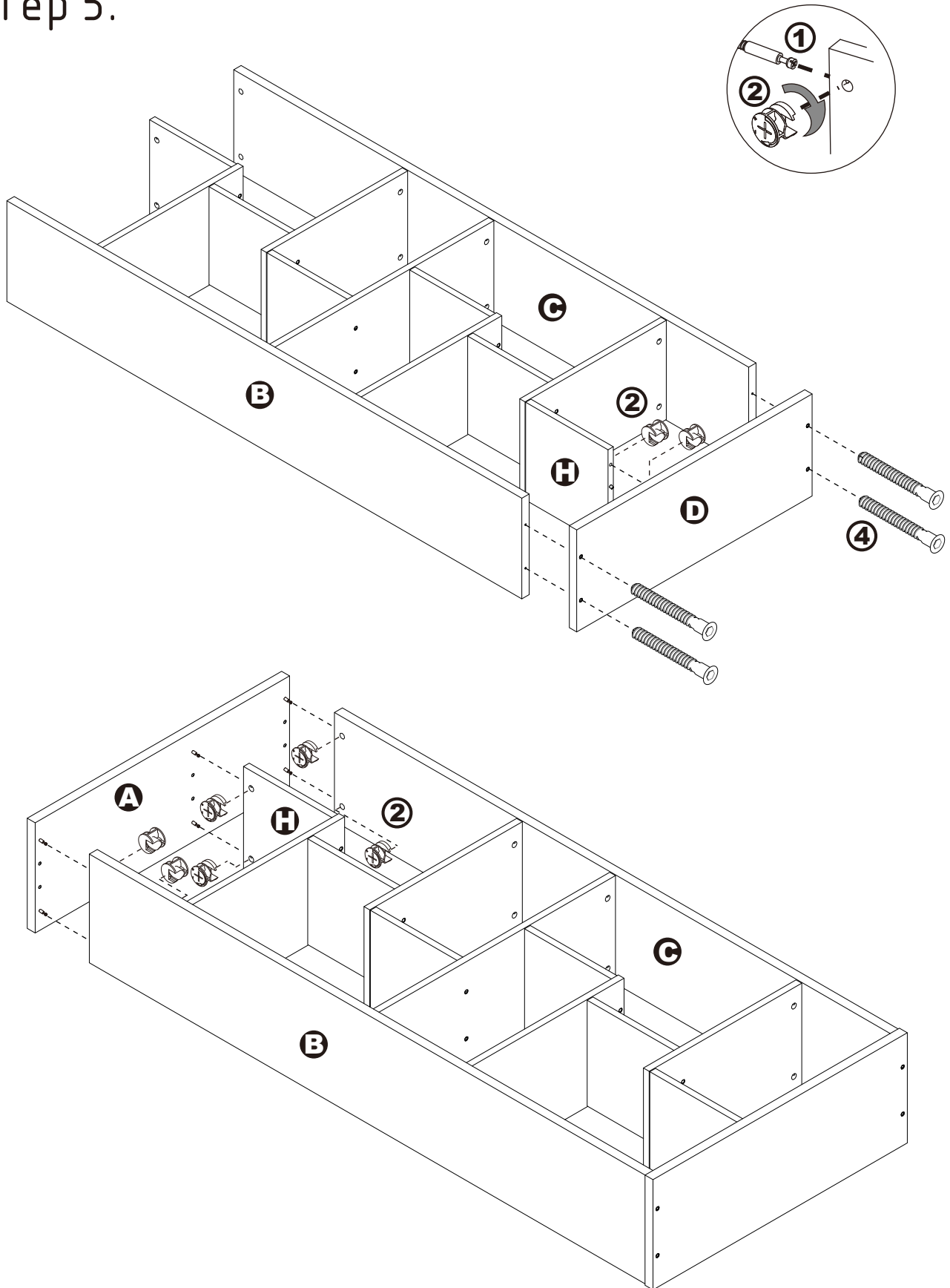
ASSEMBLY INSTRUCTIONS

Step 4.



ASSEMBLY INSTRUCTIONS

Step 5.



ASSEMBLY IS COMPLETED

Make sure the product is rested on a flat surface and does not feel loose or wobbly. If it does, double check that the bolts/screws are secured and properly tightened.