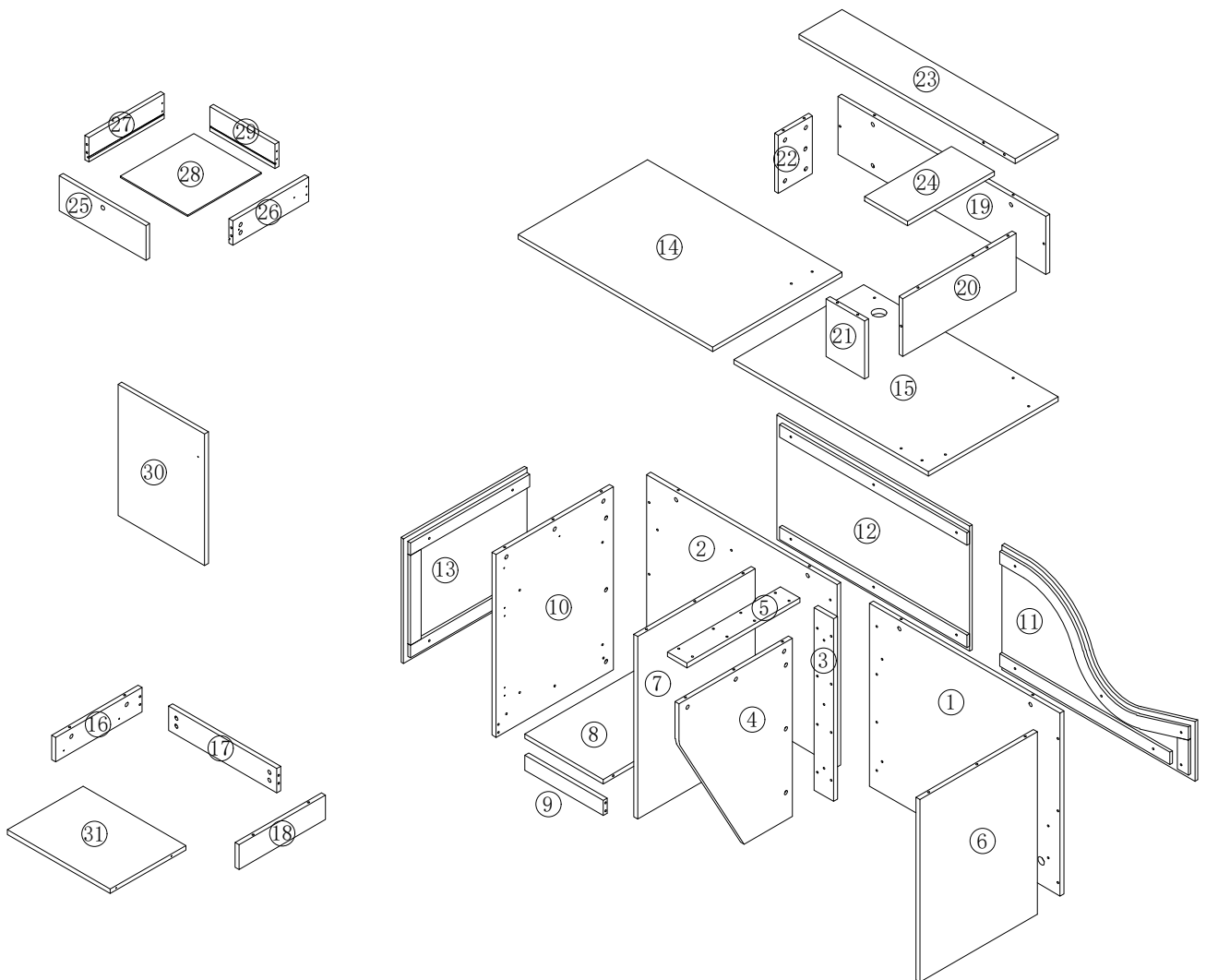
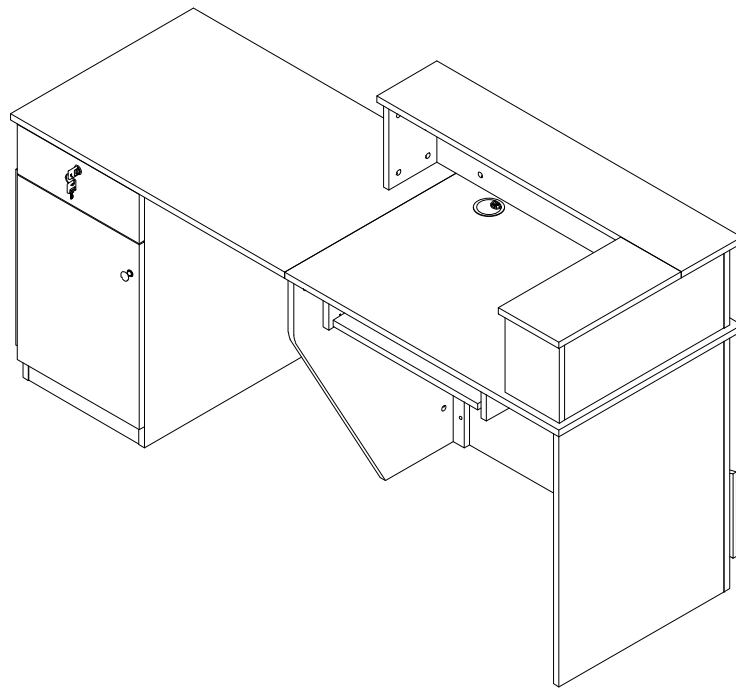
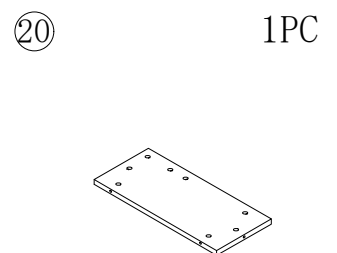
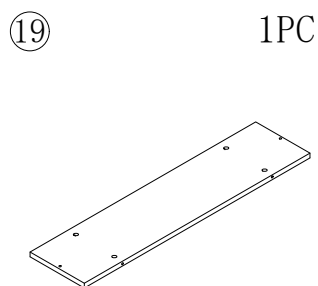
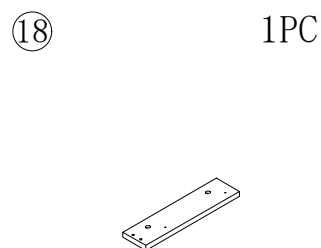
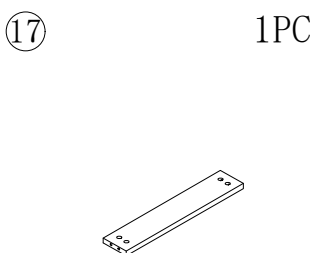
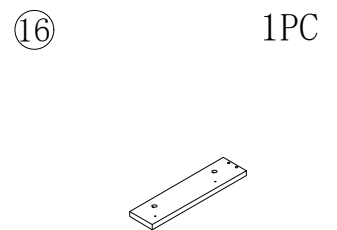
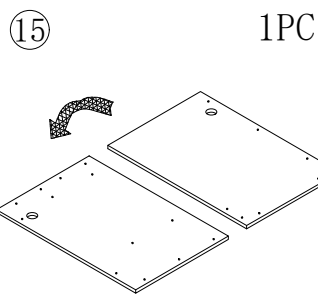
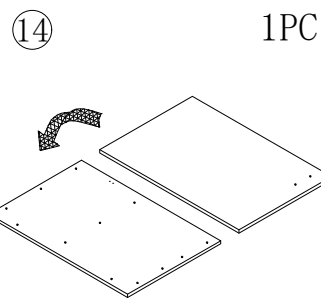
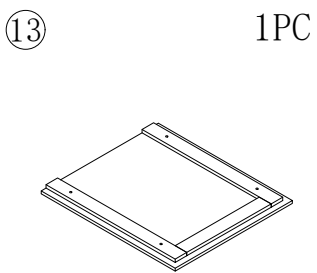
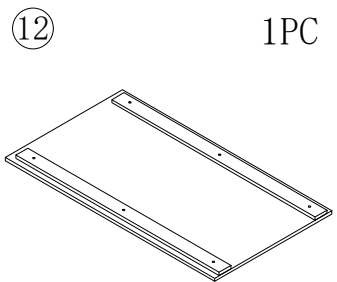
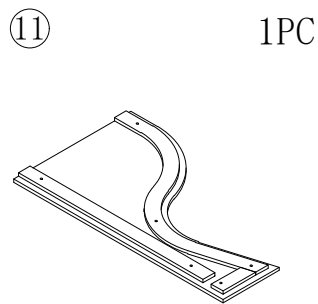
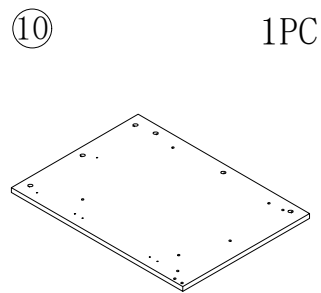
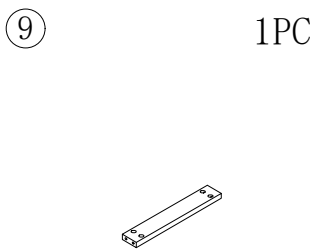
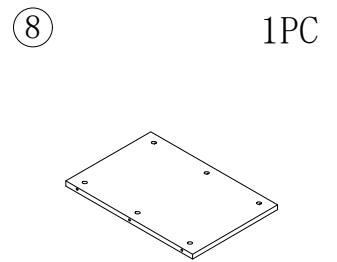
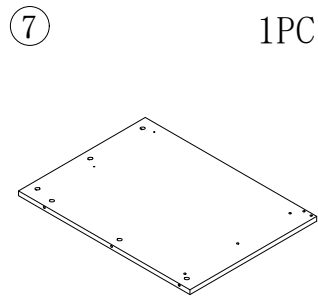
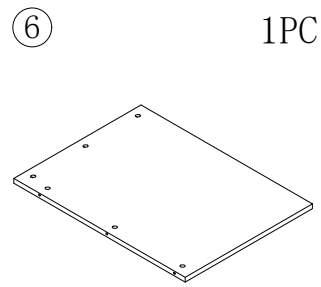
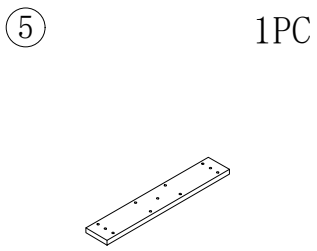
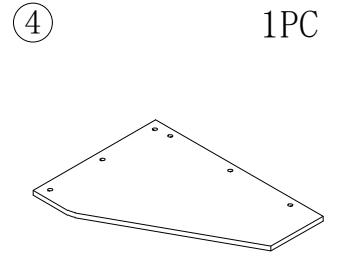
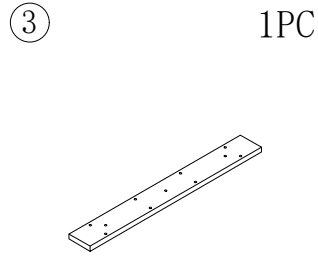
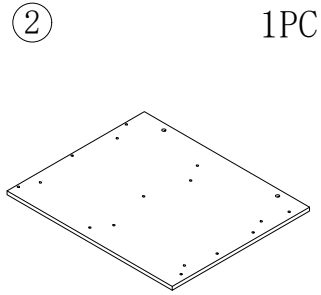
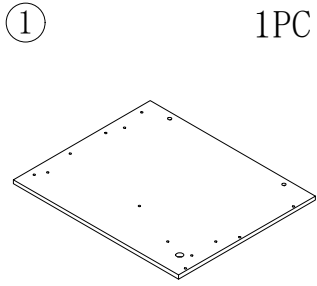


ASSEMBLY INSTRUCTION



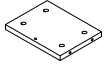
ASSEMBLY INSTRUCTION



ASSEMBLY INSTRUCTION

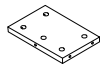
⑳

1PC



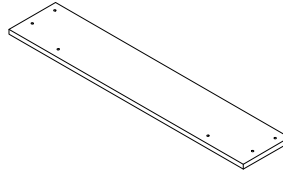
㉑

1PC



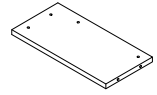
㉒

1PC



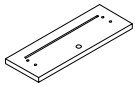
㉓

1PC



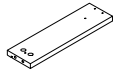
㉔

1PC



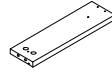
㉕

1PC



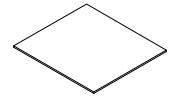
㉖

1PC



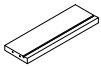
㉗

1PC



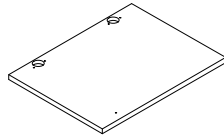
㉘

1PC



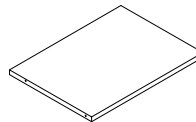
㉙

1PC

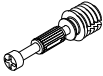






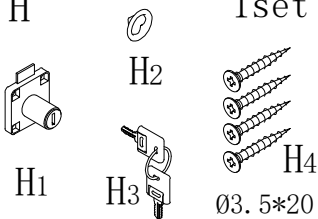



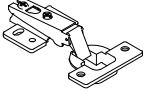

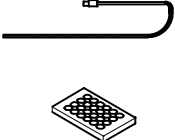




㉚

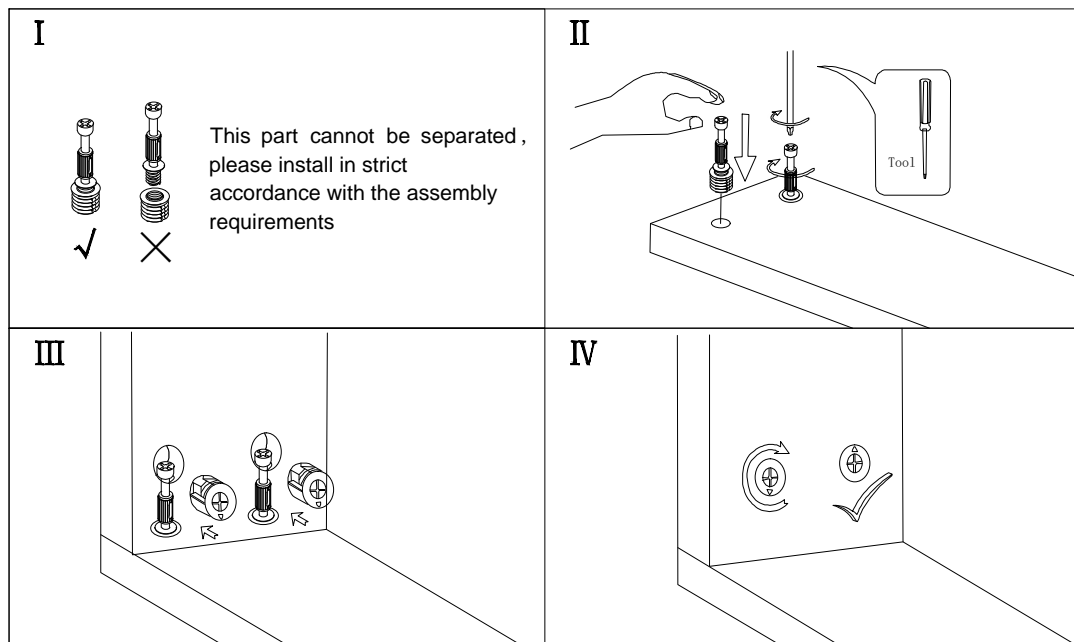
1PC



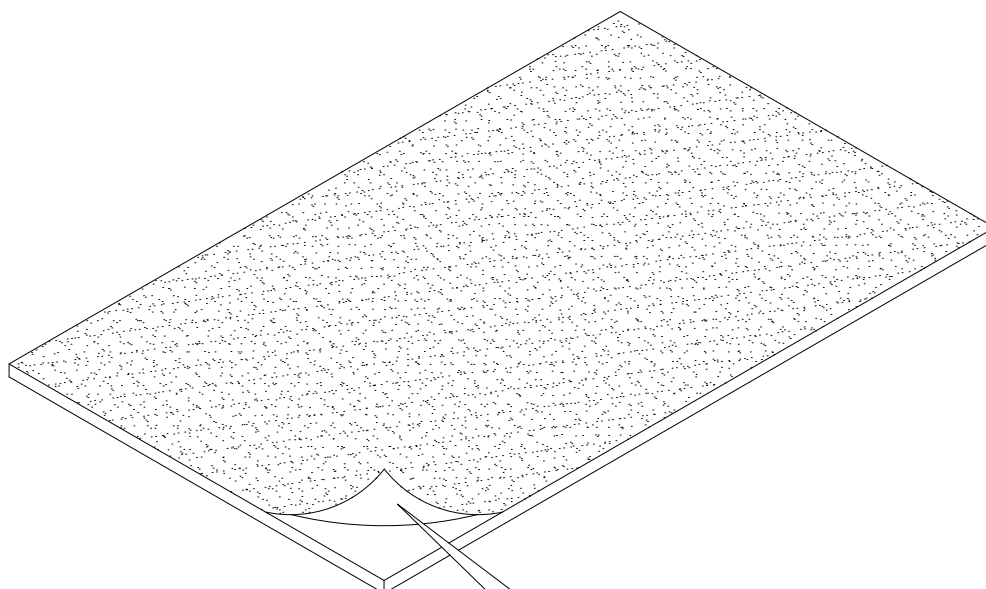
ASSEMBLY INSTRUCTION

<p>A 71PCS</p>  <p>M6*40</p>	<p>B 71PCS</p>  <p>Ø15*9.5</p>	<p>C 30PCS</p>  <p>Ø3.5*14</p>	<p>D 12PCS</p> 
<p>E 1set</p>  <p>M4*22</p>	<p>F 4PCS</p>  <p>14"</p>	<p>G 4PCS</p>  <p>Ø3.5*40</p>	<p>H 1set</p>  <p>H1 H2 H3 H4 Ø3.5*20</p>
<p>I 32PCS</p>  <p>M6*27</p>	<p>J 2PCS</p>  <p>Ø6*40</p>	<p>K 1PC</p>  <p>29*13*9</p>	<p>L 2PCS</p> 
<p>M 1PC</p>  <p>Ø50</p>	<p>N 1set</p> 	<p>O 71PCS</p> 	

"A" Hardware installation example



Attention, please! Before installation, please remove the transparent protective film from the surface of the board.



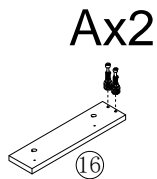
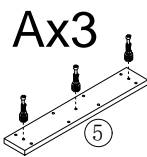
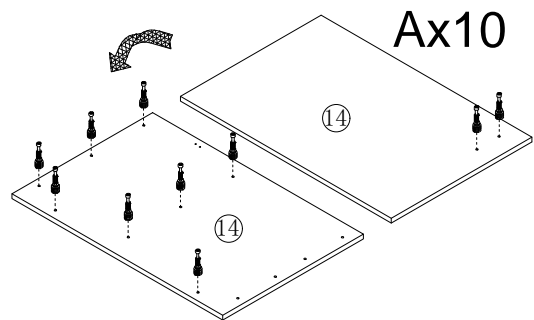
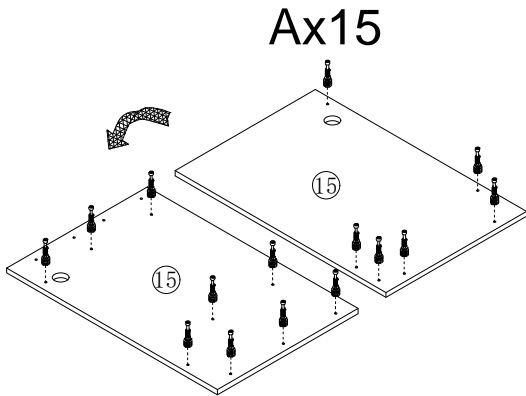
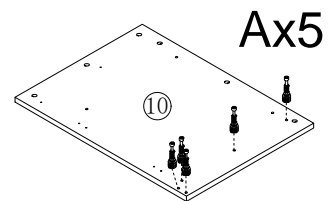
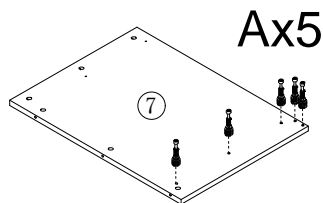
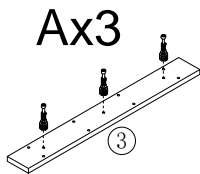
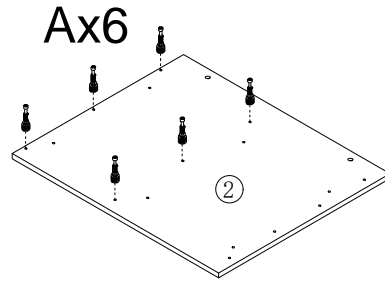
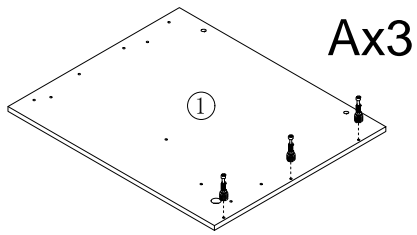
Please remove the protective paper by hand.

Step 1

A 54PCS



M6*40



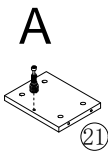
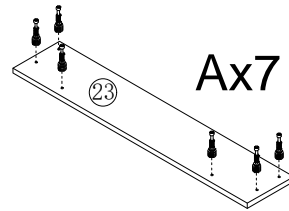
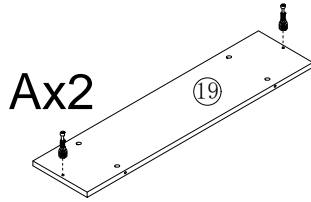
ASSEMBLY INSTRUCTION

Step 2

A 17PCS

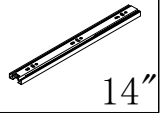


M6*40



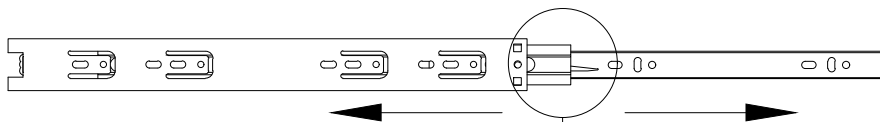
Step 3

F 4PCS



14"

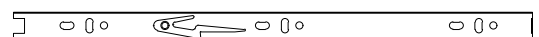
Fx4



F1



F2



ASSEMBLY INSTRUCTION

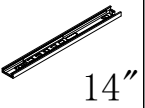
Step 4

C 8PCS

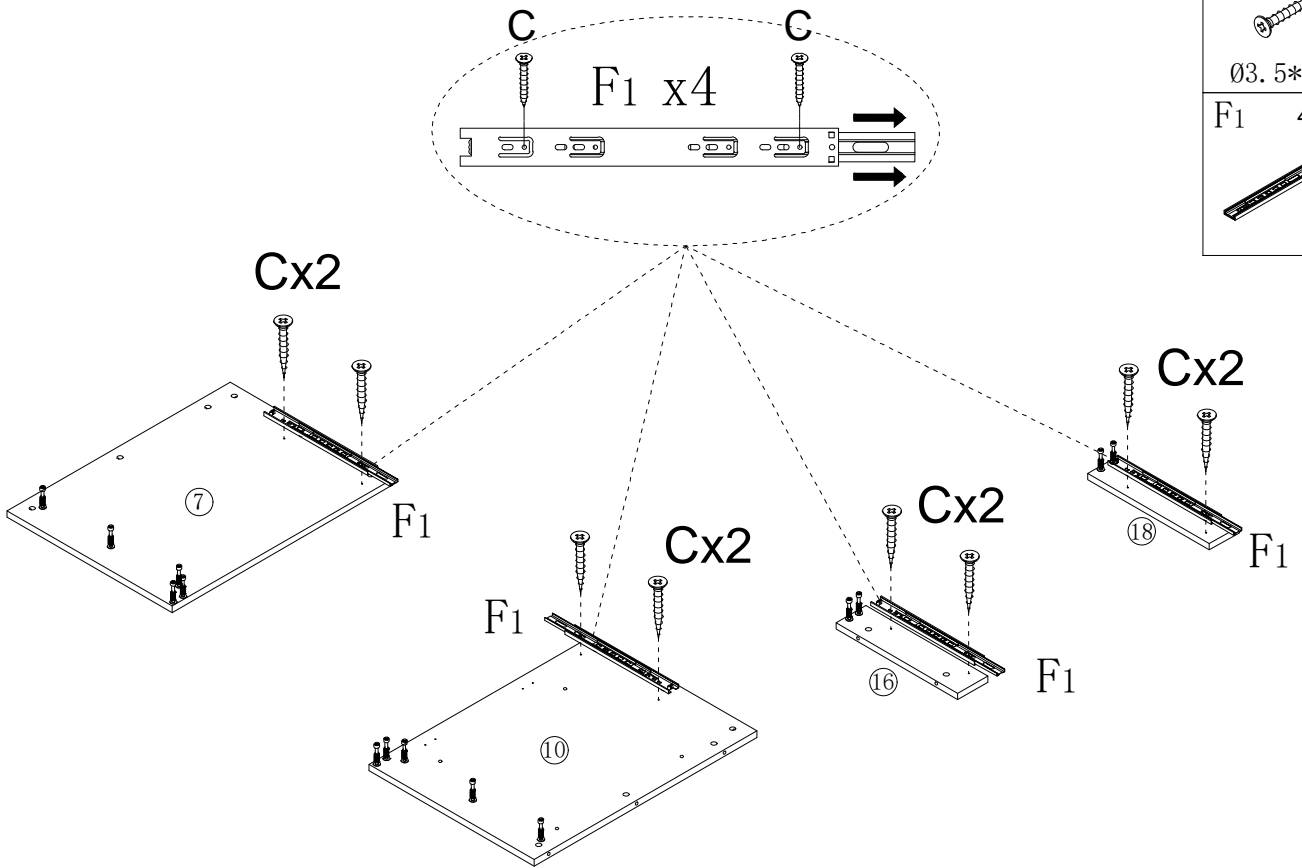


Ø3.5*14

F1 4PCS



14"

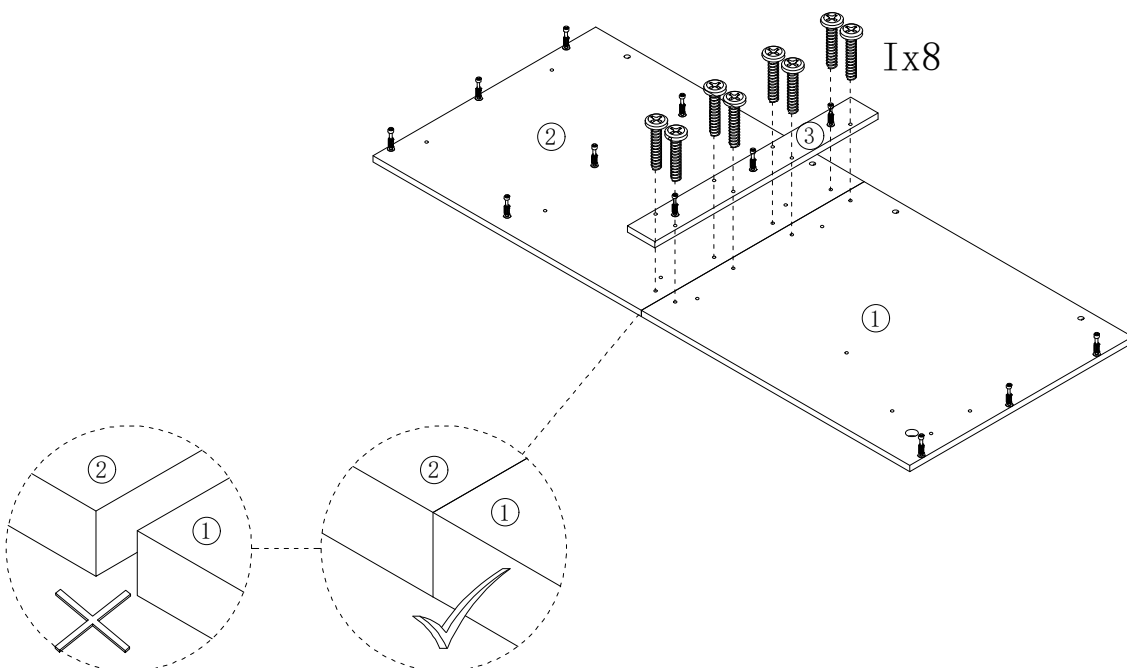


Step 5

I 8PCS



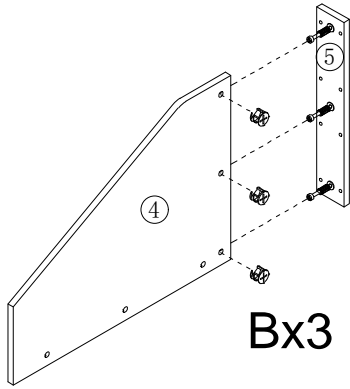
M6*27



ASSEMBLY INSTRUCTION

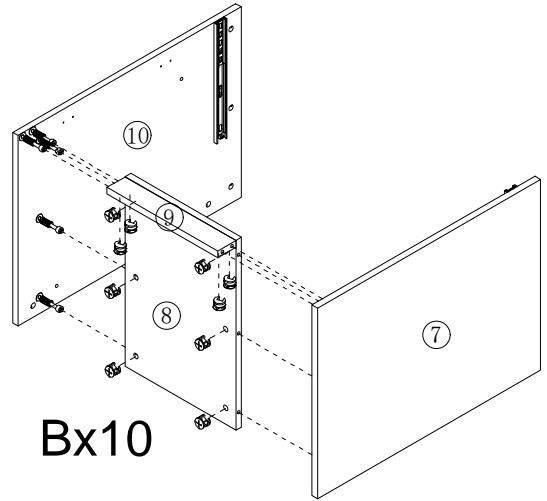
Step 6

B 3PCS
Ø15*9.5



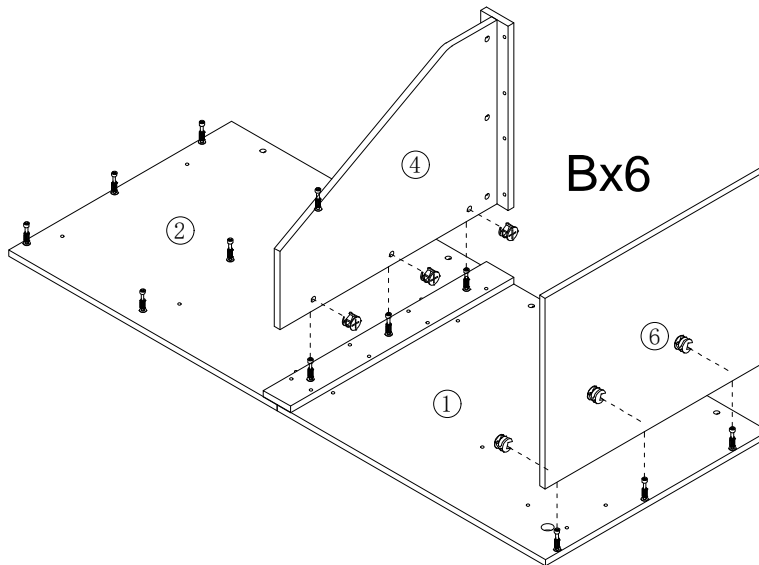
Step 7

B 10PCS
Ø15*9.5




Step 8

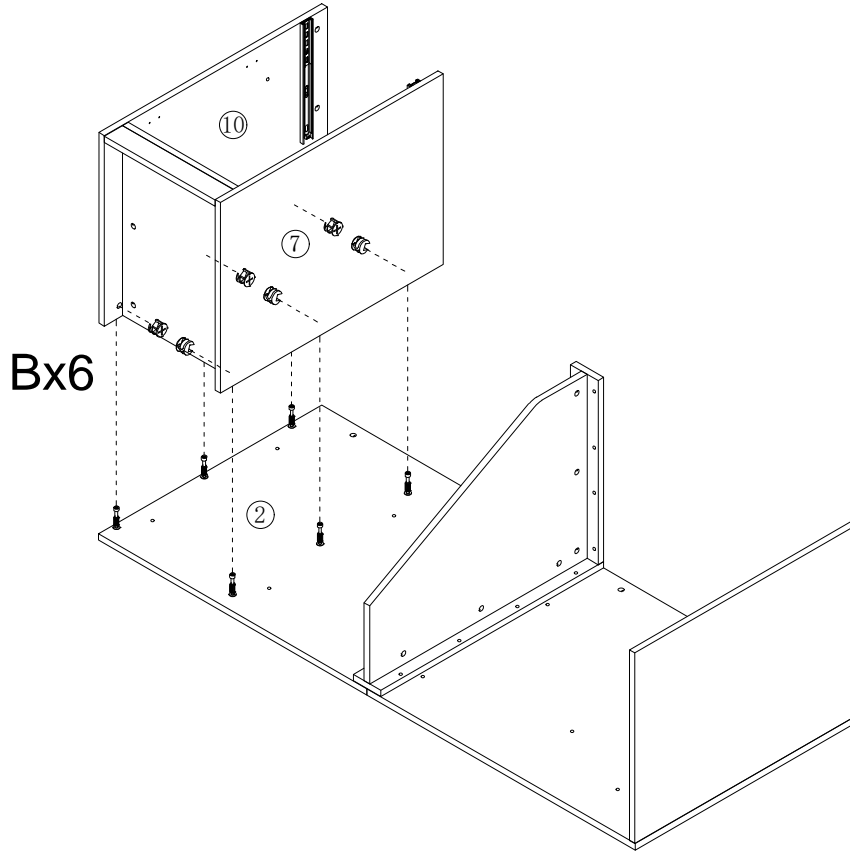
B 6PCS
Ø15*9.5




ASSEMBLY INSTRUCTION

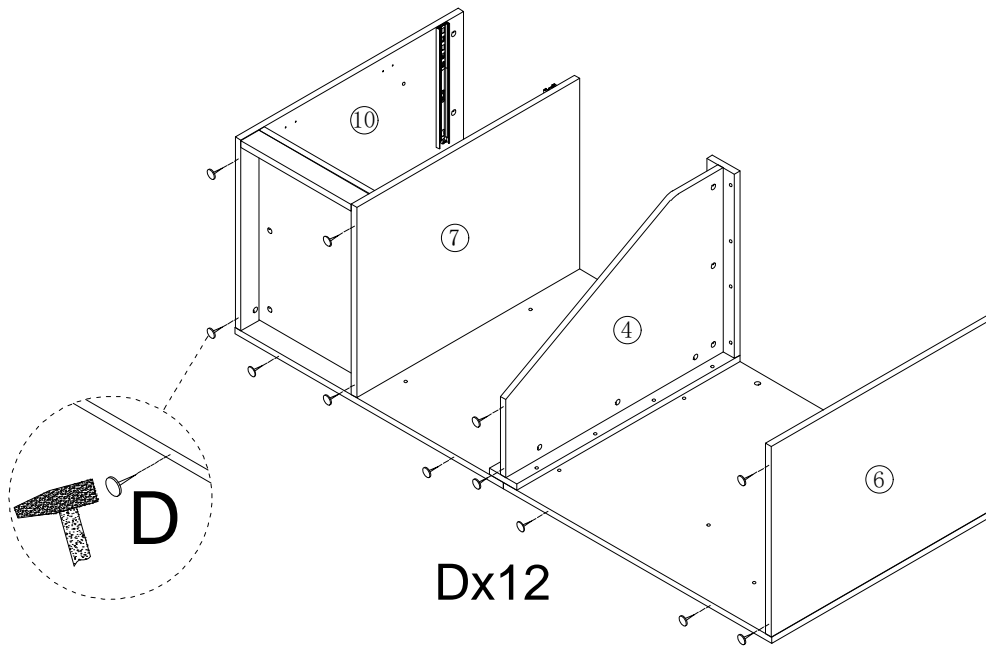
Step 9

B 6PCS

Ø15*9.5



Step 10

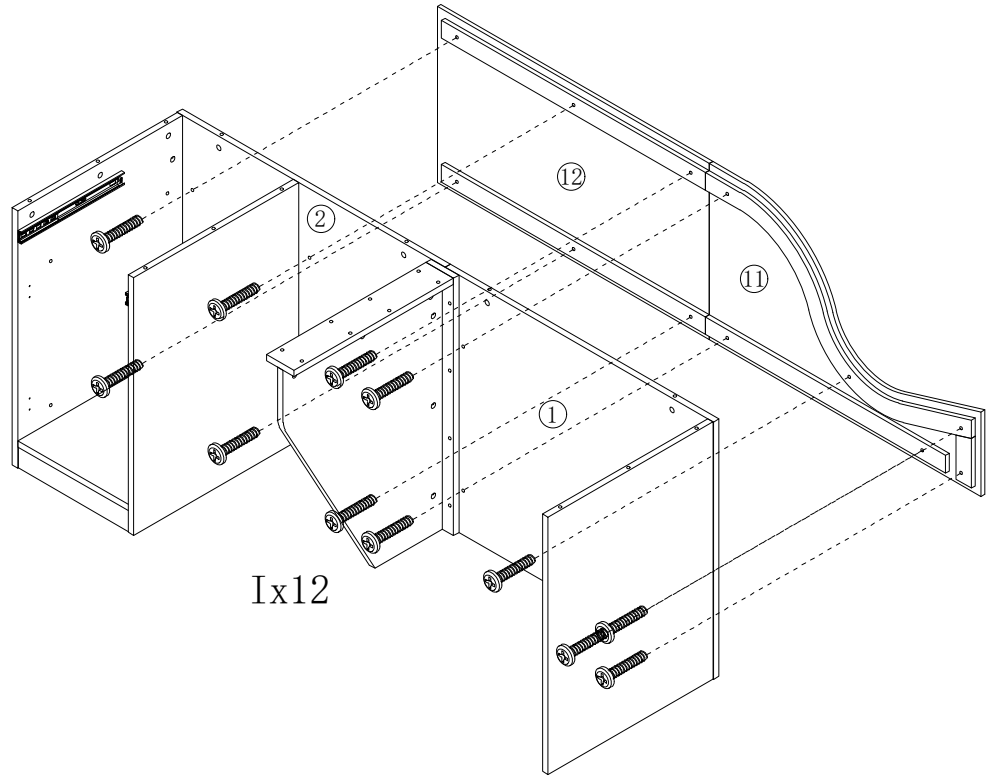
D 12PCS




ASSEMBLY INSTRUCTION

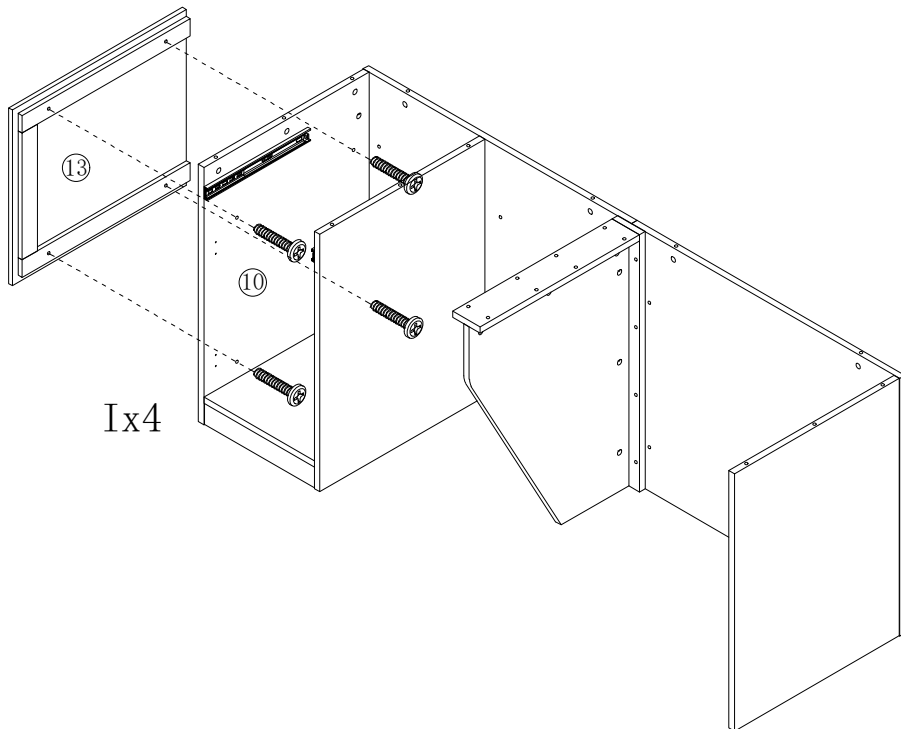
Step 11

I 12PCS
M6*27



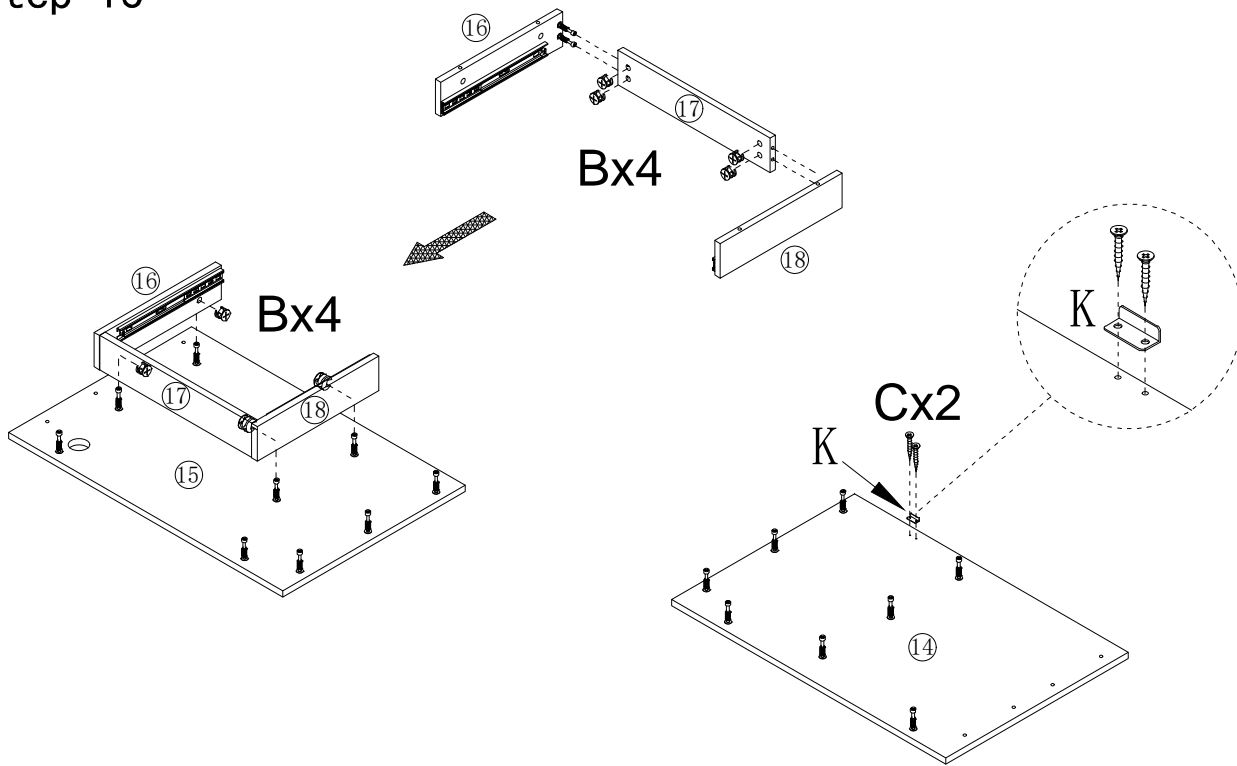
Step 12



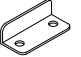
I 4PCS
M6*27



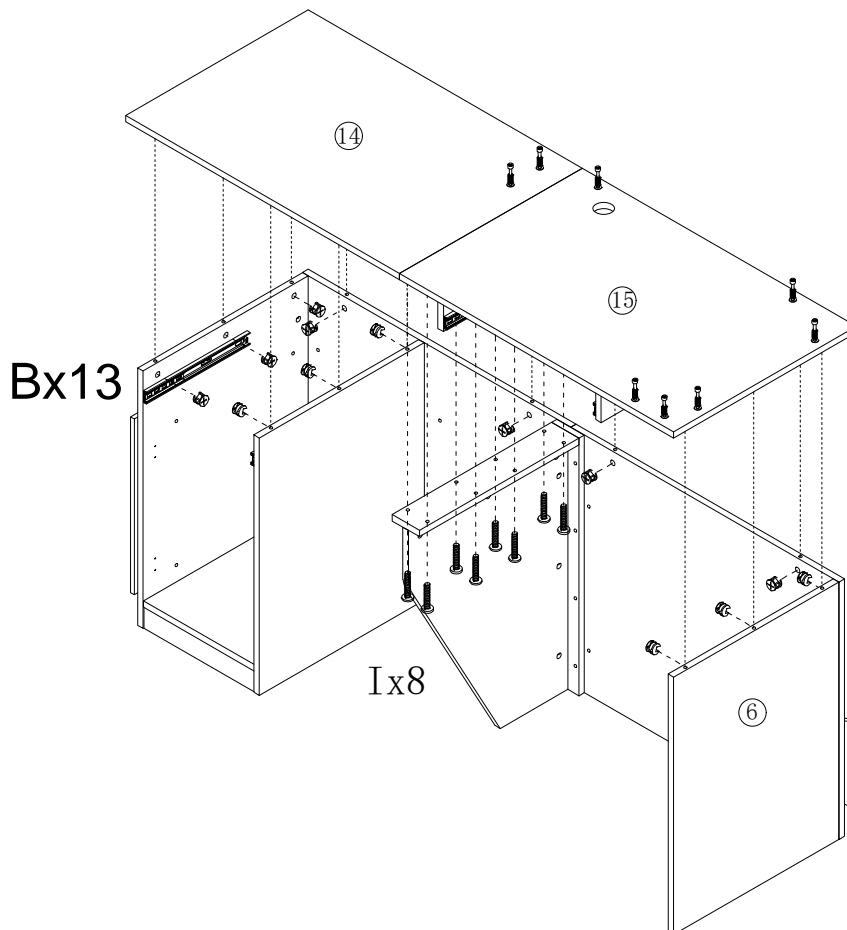
ASSEMBLY INSTRUCTION



Step 13




B	8PCS
	
	Ø15*9.5
C	2PCS
	
	Ø3.5*14
K	1PC
	

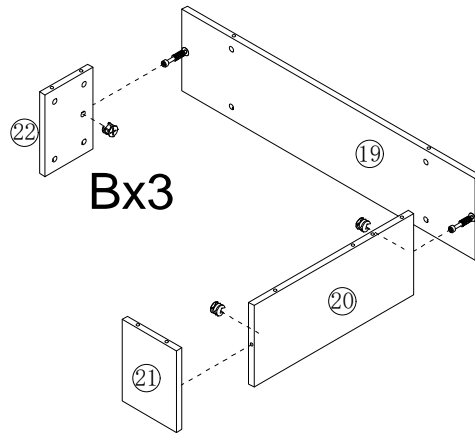
Step 14




B	13PCS
	
	Ø15*9.5
I	8PCS
	
	M6*27

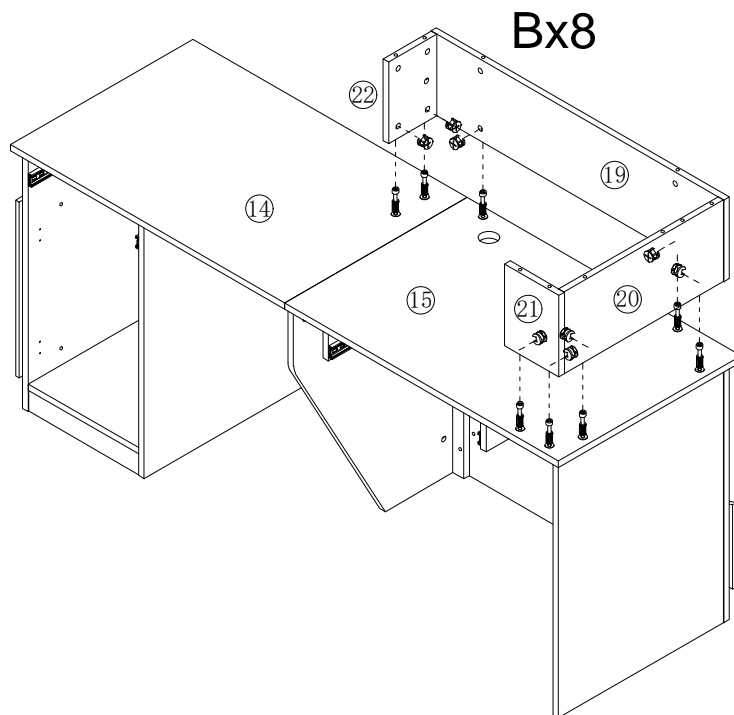
Step 15

B 3PCS

Ø15*9.5



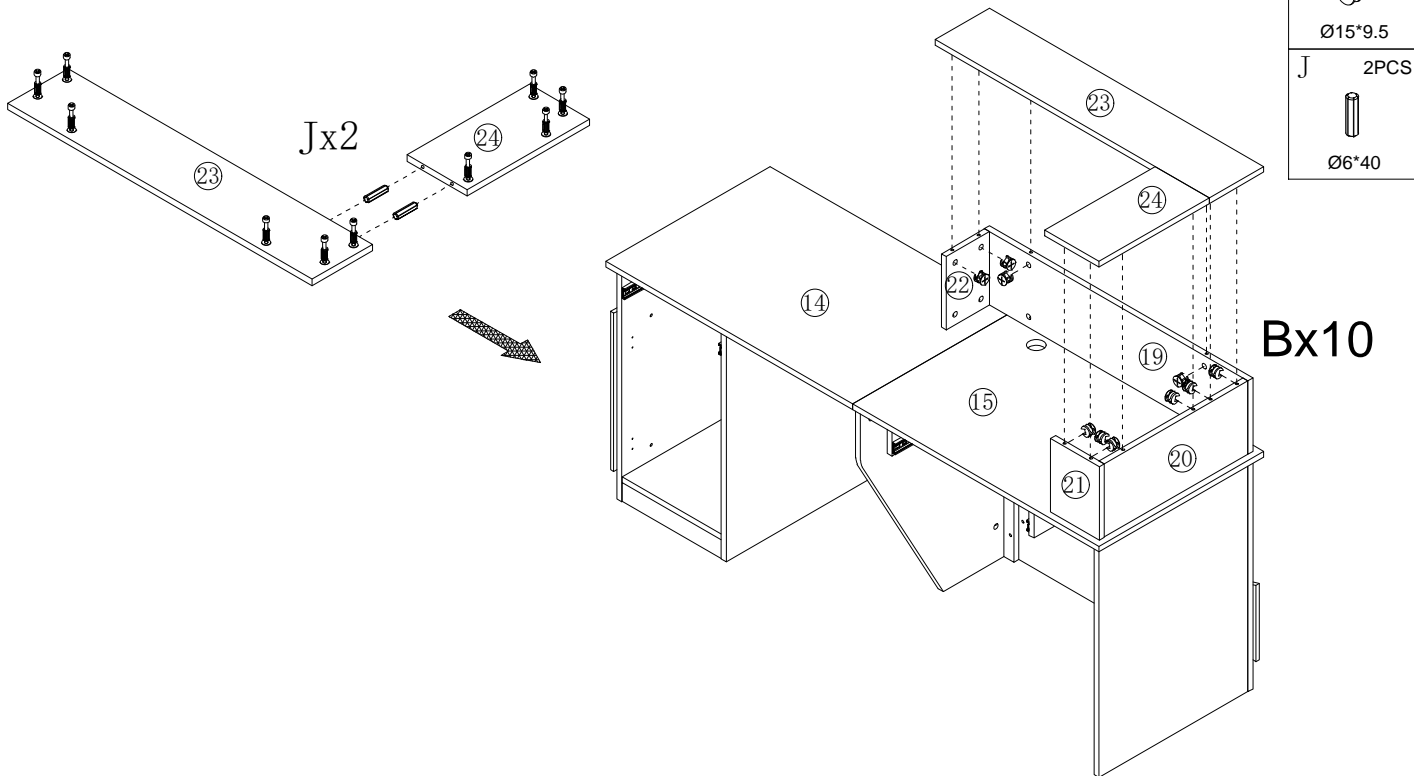
Step 16



B 8PCS

Ø15*9.5



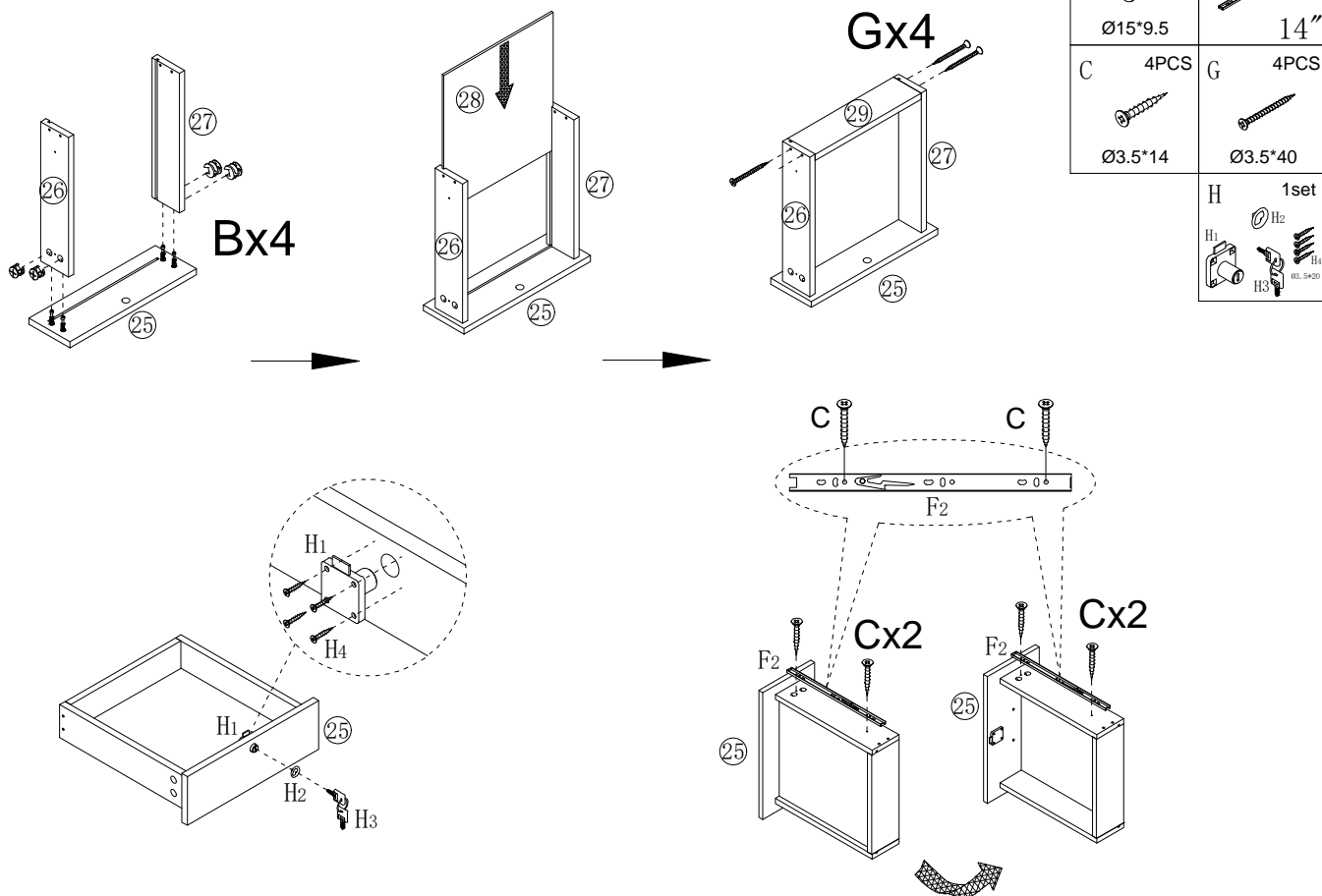
ASSEMBLY INSTRUCTION





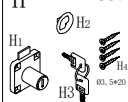
Step 17



B	10PCS
	
Ø15*9.5	
J	2PCS
	
Ø6*40	

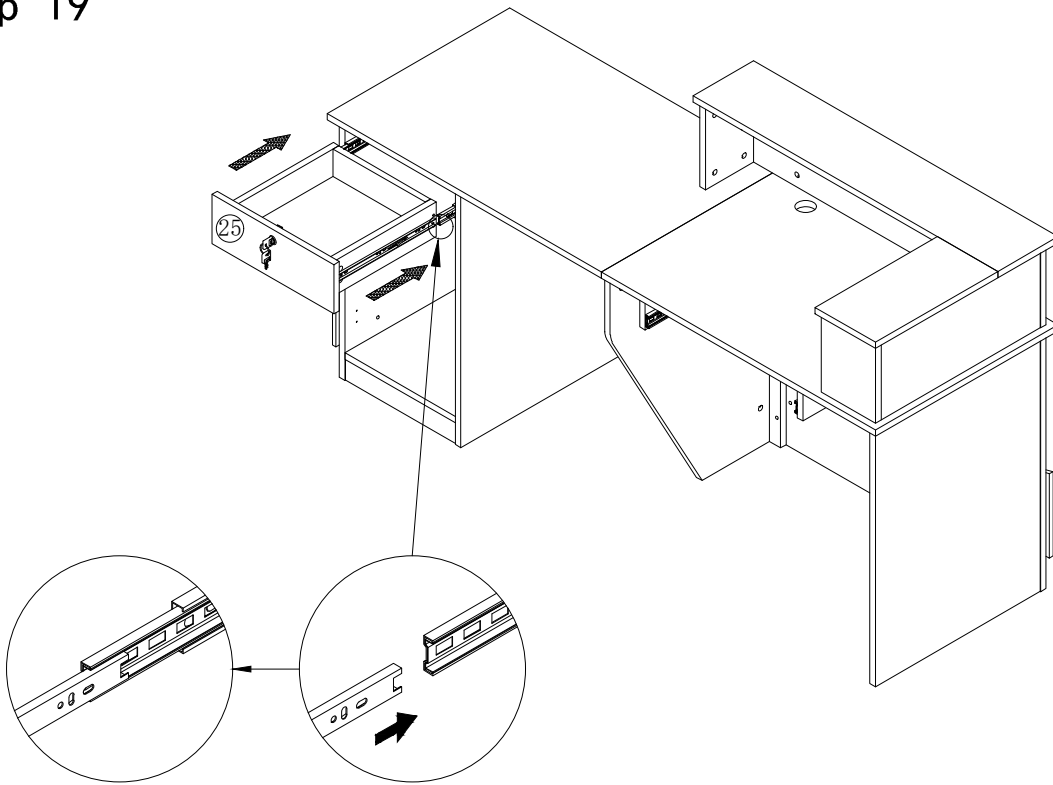
Step 18



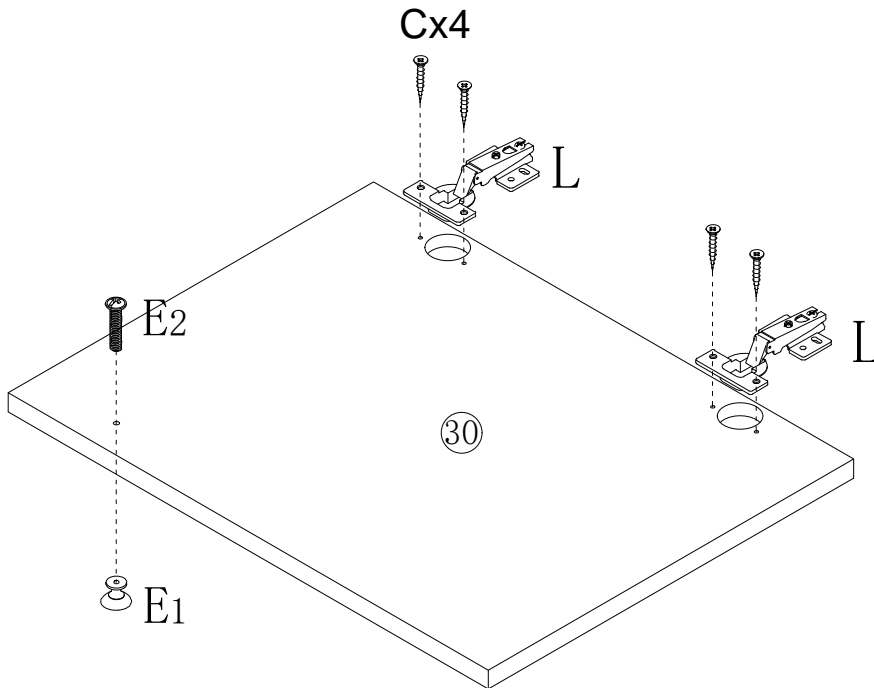
B	4PCS	F ₂	2PCS
			
Ø15*9.5		14"	
C	4PCS	G	4PCS
			
Ø3.5*14		Ø3.5*40	
H 1set			
			




ASSEMBLY INSTRUCTION

Step 19




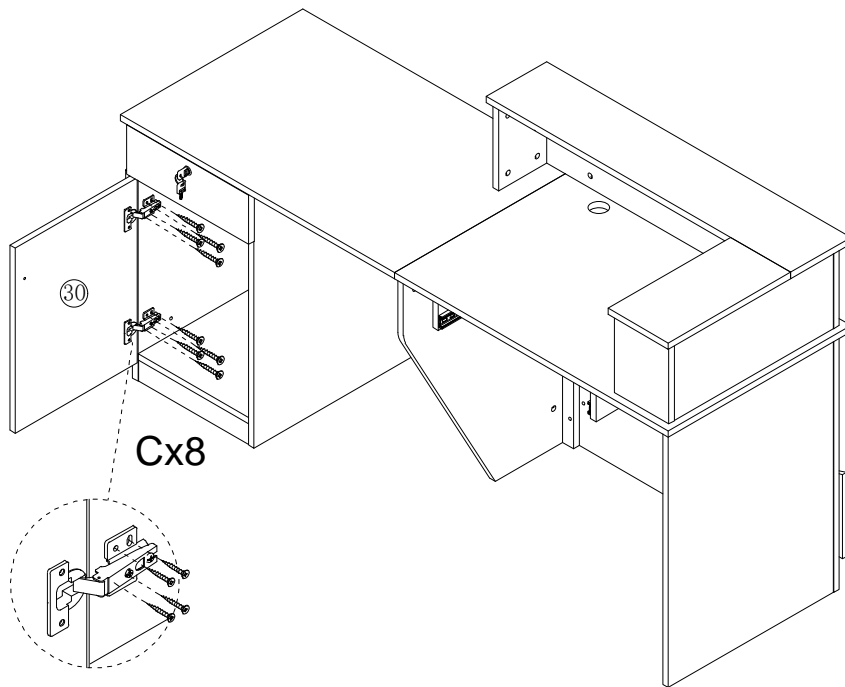
Step 20






C	4PCS
	
Ø3.5*14	
E	1set
	
M4*22	
L	2PCS
	

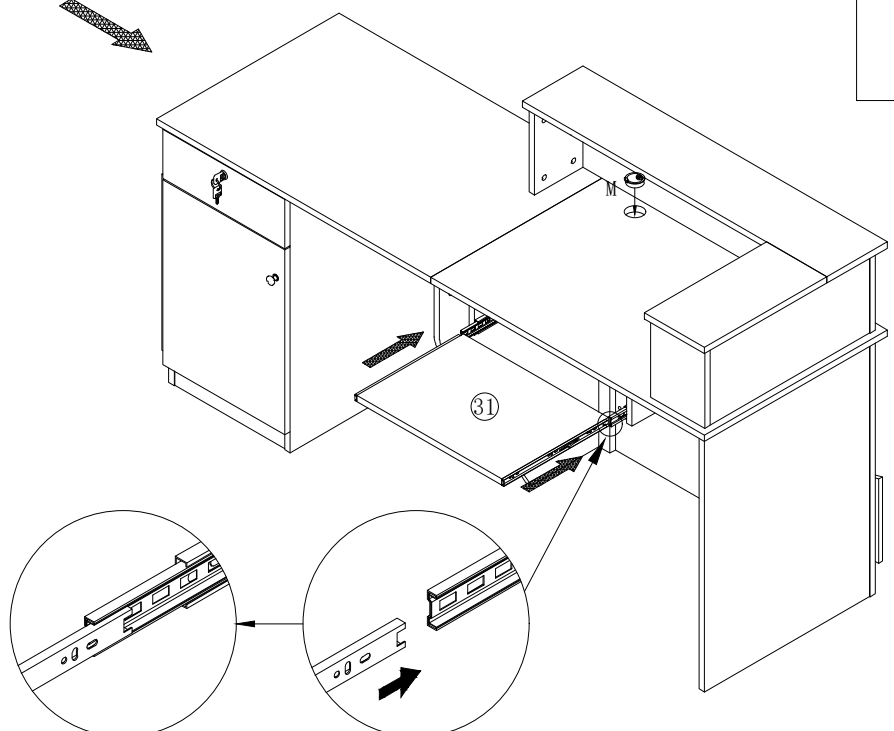
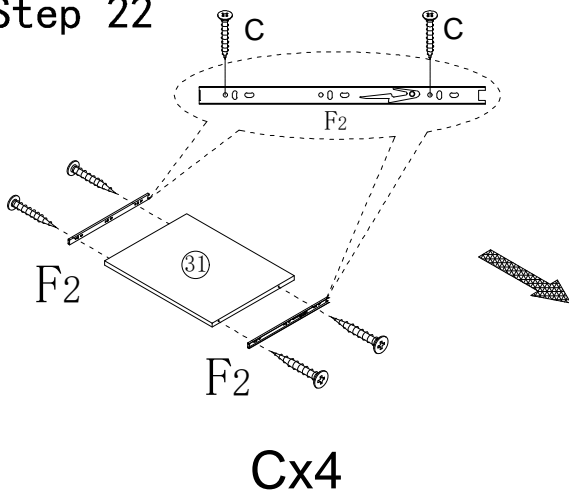
Step 21

C	8PCS
	
Ø3.5*14	

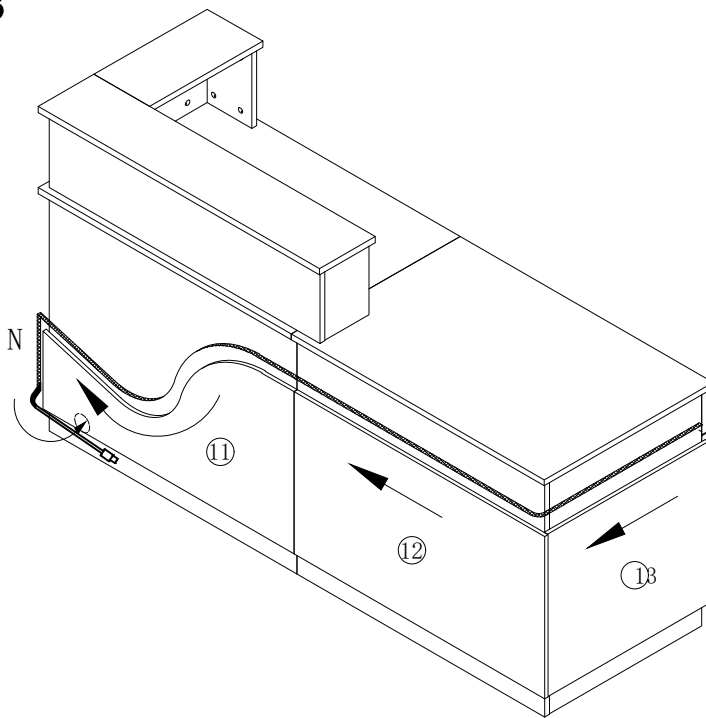
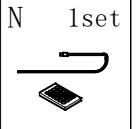


Step 22

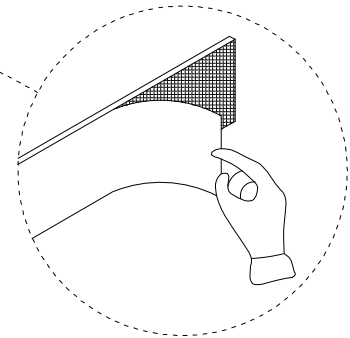
C	4PCS
	
Ø3.5*14	
F2	2PCS
	
14"	
M	1PC
	
Ø50	



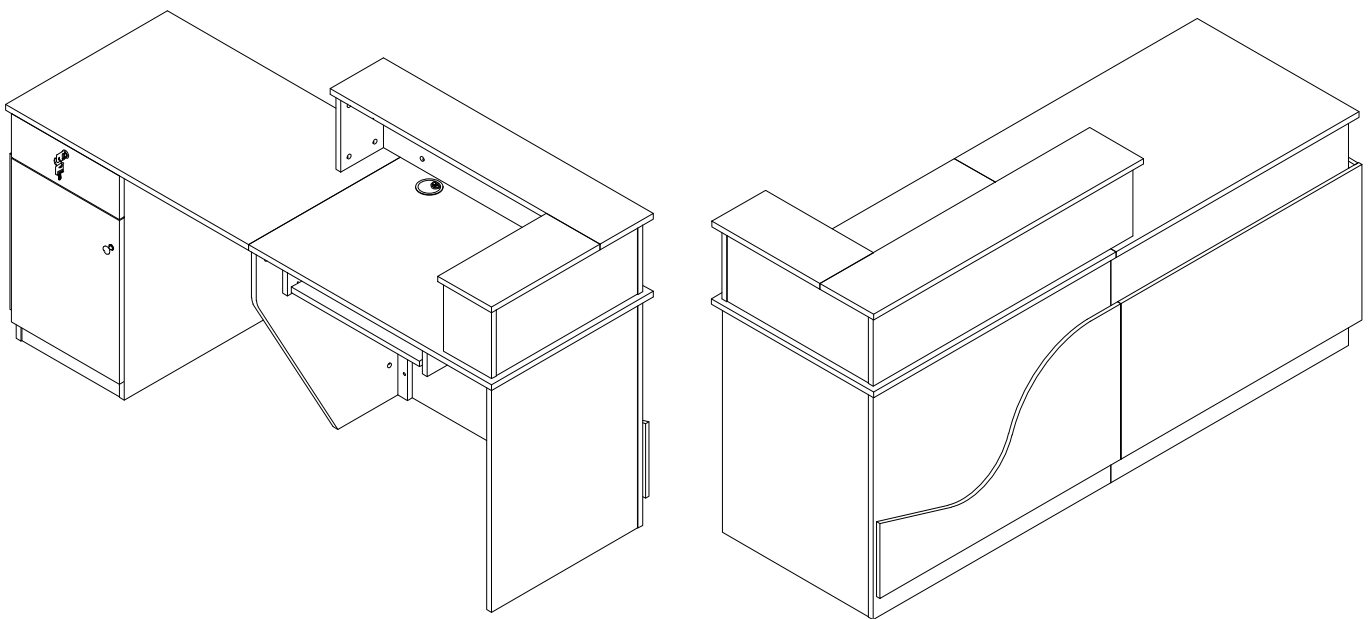
Step 23



Before installing the LED strip Peel off the blue sticker on the back of the LED strip.



Step 24



OK