

Type: _____

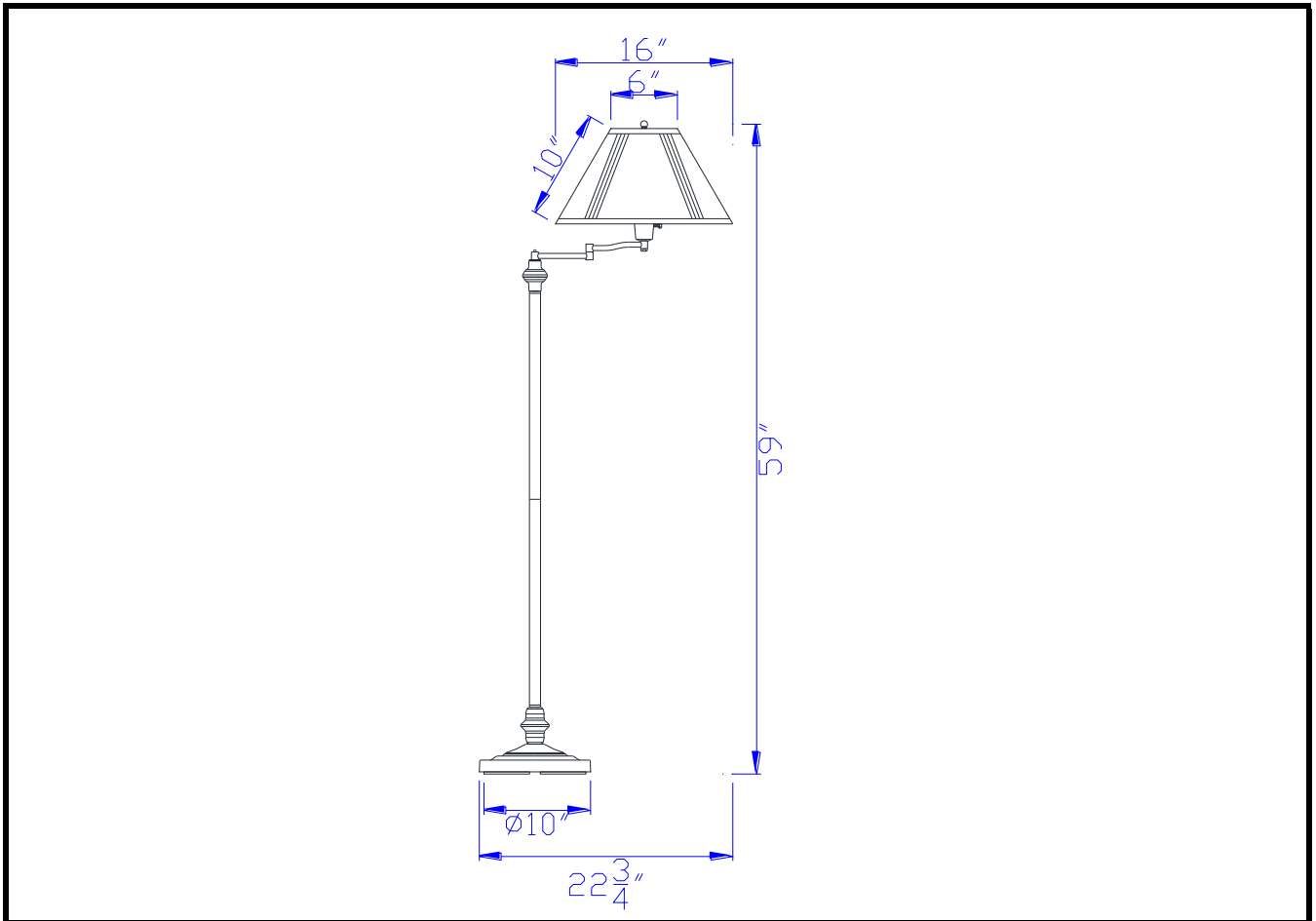
Project: _____

Catalog No.: _____

Lamp/Wattage: _____

Specifications subject to change without notice

Drawing:



Description: Transitional Swing Arm Floor Lamp

Material: Metal

Finish : DB (Dark Bronze)

Height: 59"

Base Width: 10"

Wattage : 150W + 60W x3

Socket : Medium Base (E27)

Switch: 6 way

Bulb: Incandescent, CFL

Wire Length: 6'

Wire Color: Gold

Material: Hardback Linen

Shade size: 6"X16"X10"

Certificate :

