
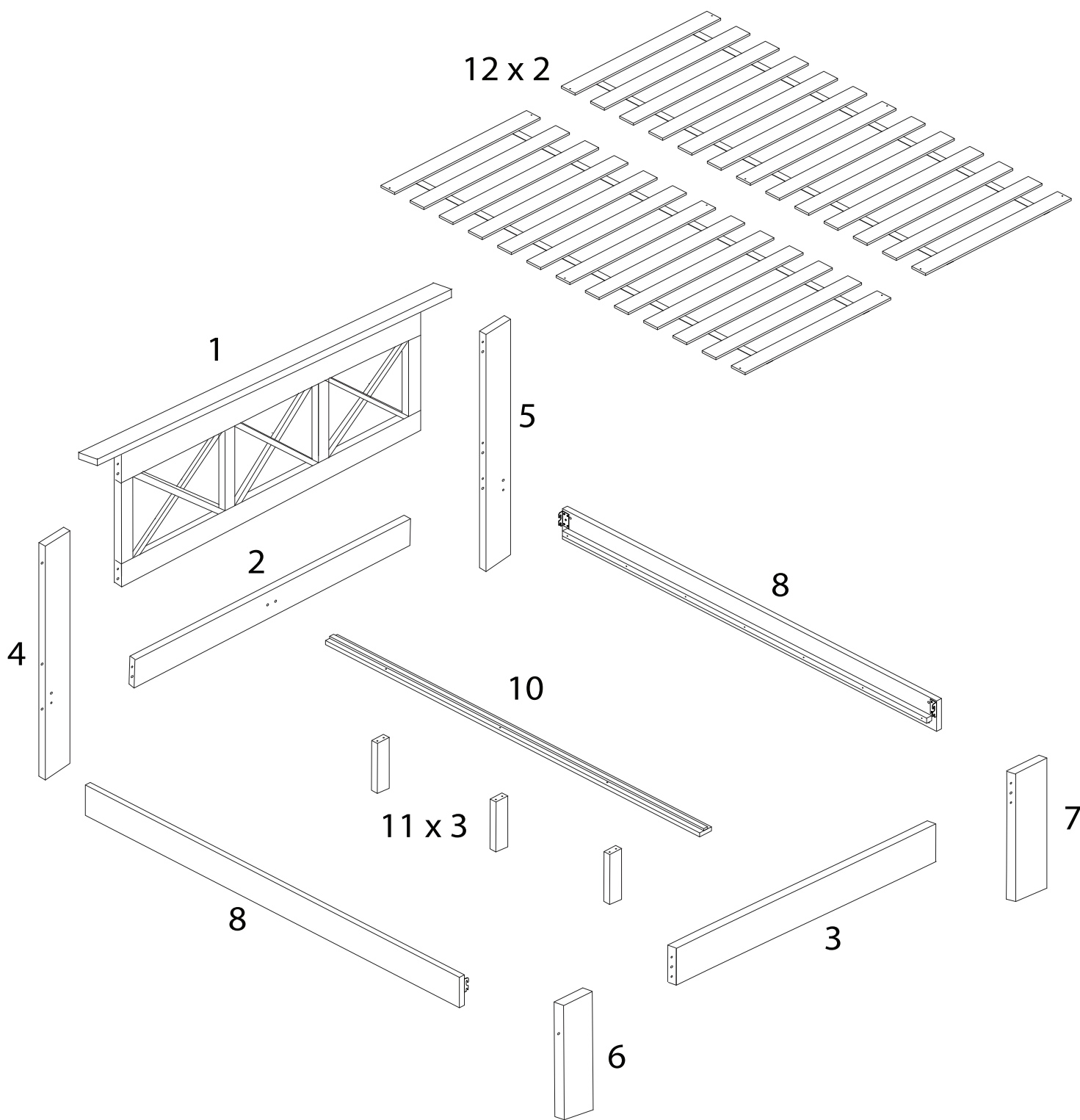
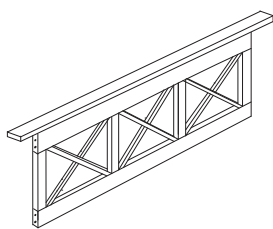
	<p>60'</p>
		
		<p>2</p>

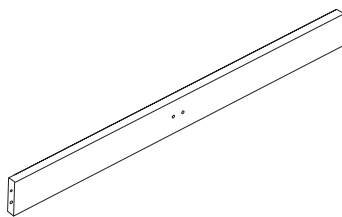


1



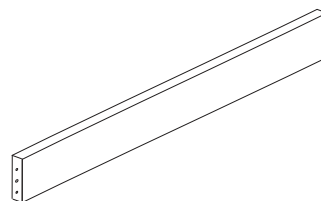
x 1

2



x 1

3



x 1

4



x 1

5



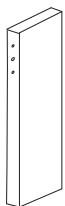
x 1

6



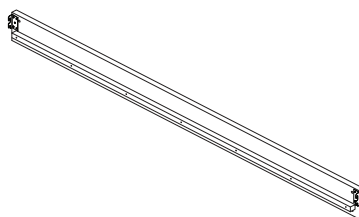
x 1

7



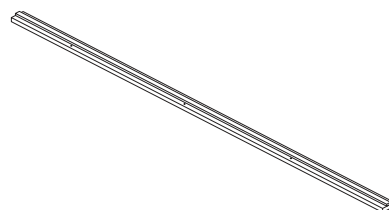
x 1

8



x 2

10



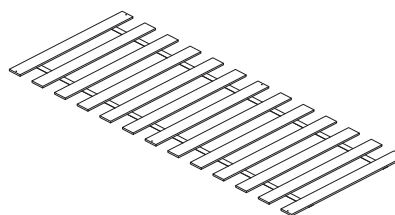
x 1

11



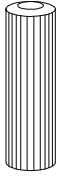
x 3

12



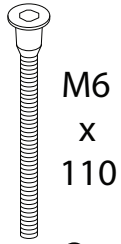
x 2

A



x 10

B



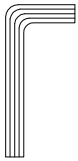
x 8

C



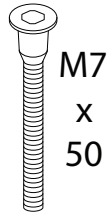
x 8

D



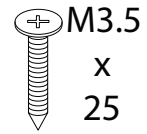
x 1

E



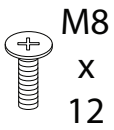
x 8

F



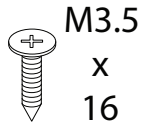
x 16

G



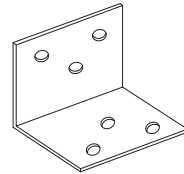
x 8

H



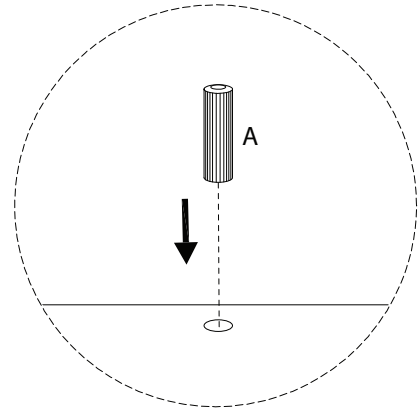
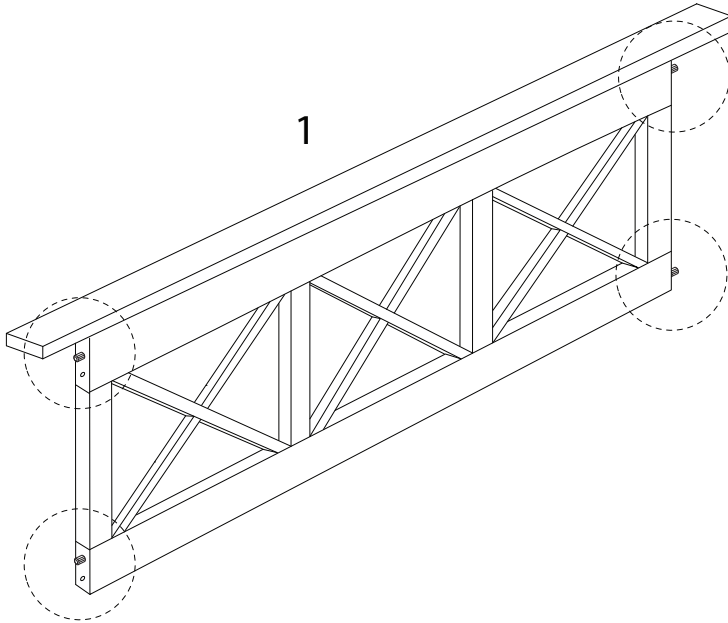
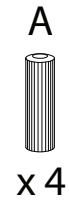
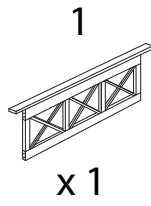
x 6

J

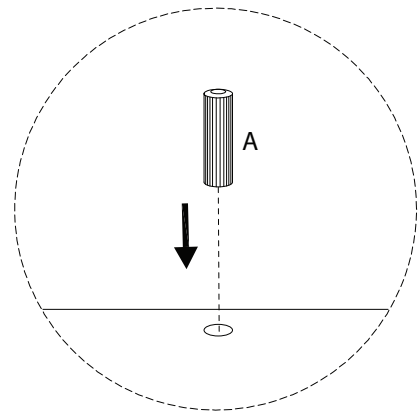
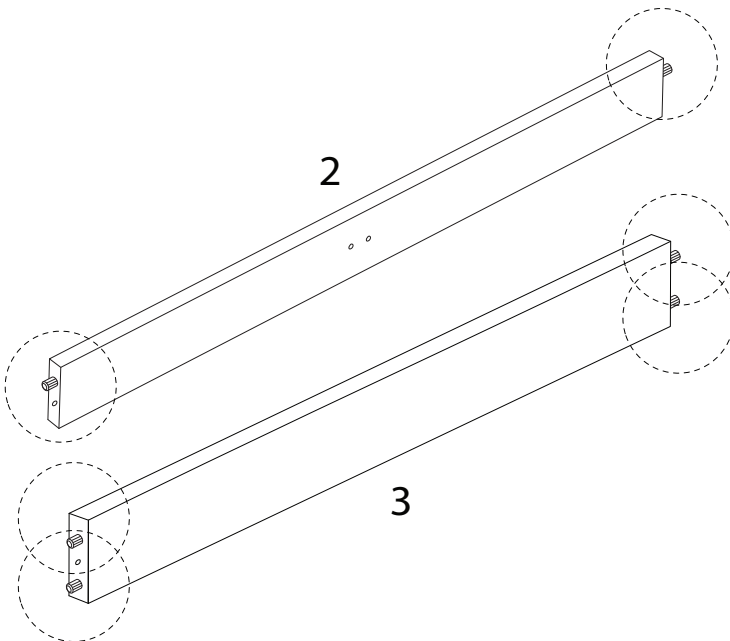
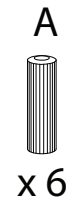
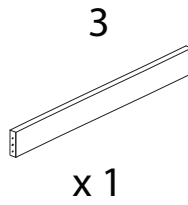
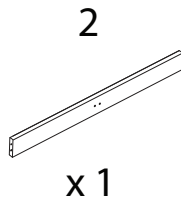


x 1

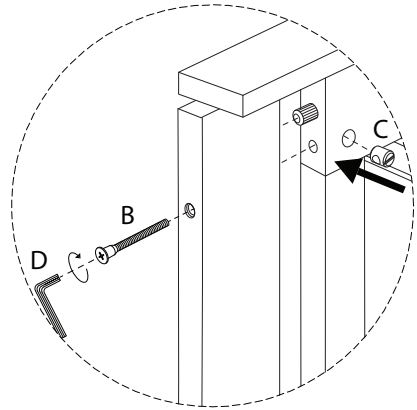
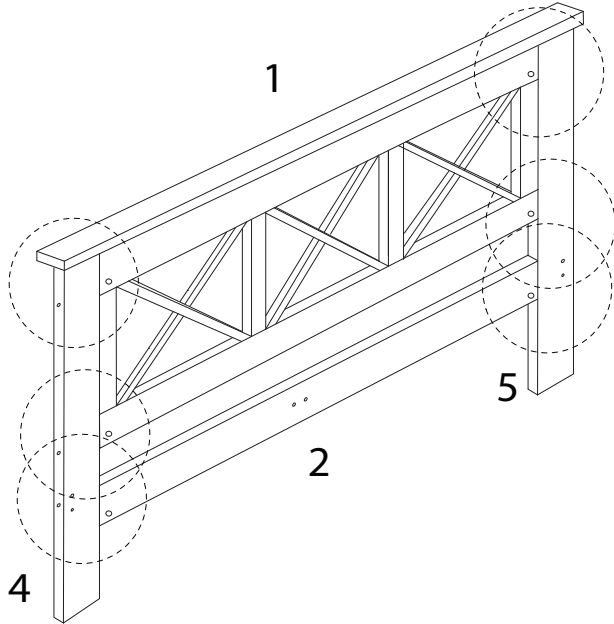
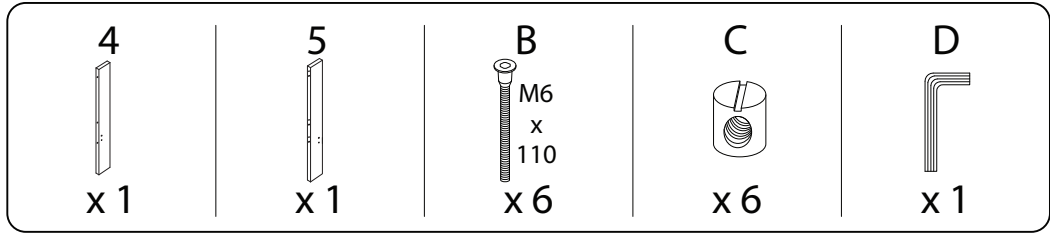
1



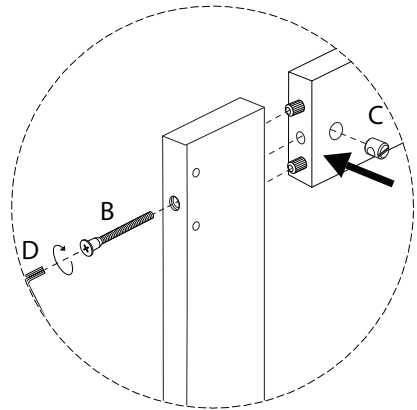
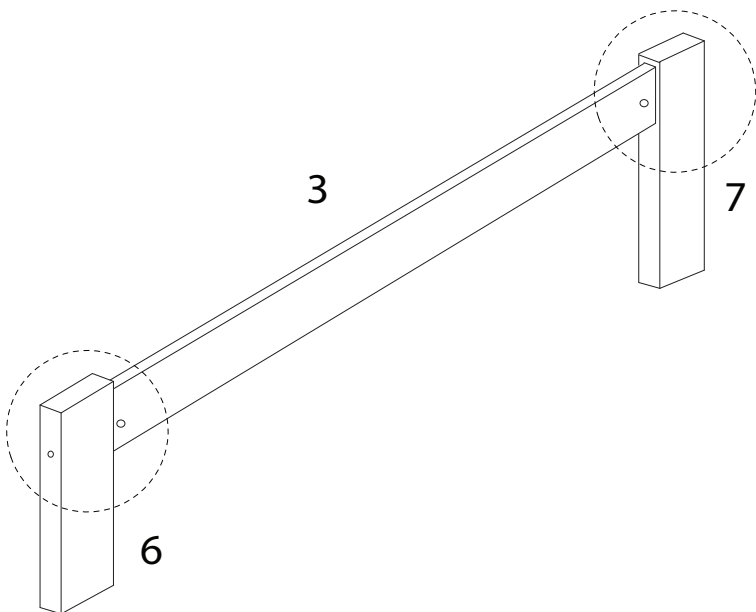
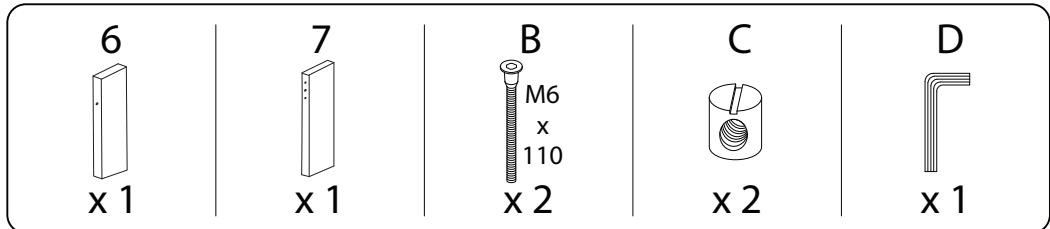
2



3



4

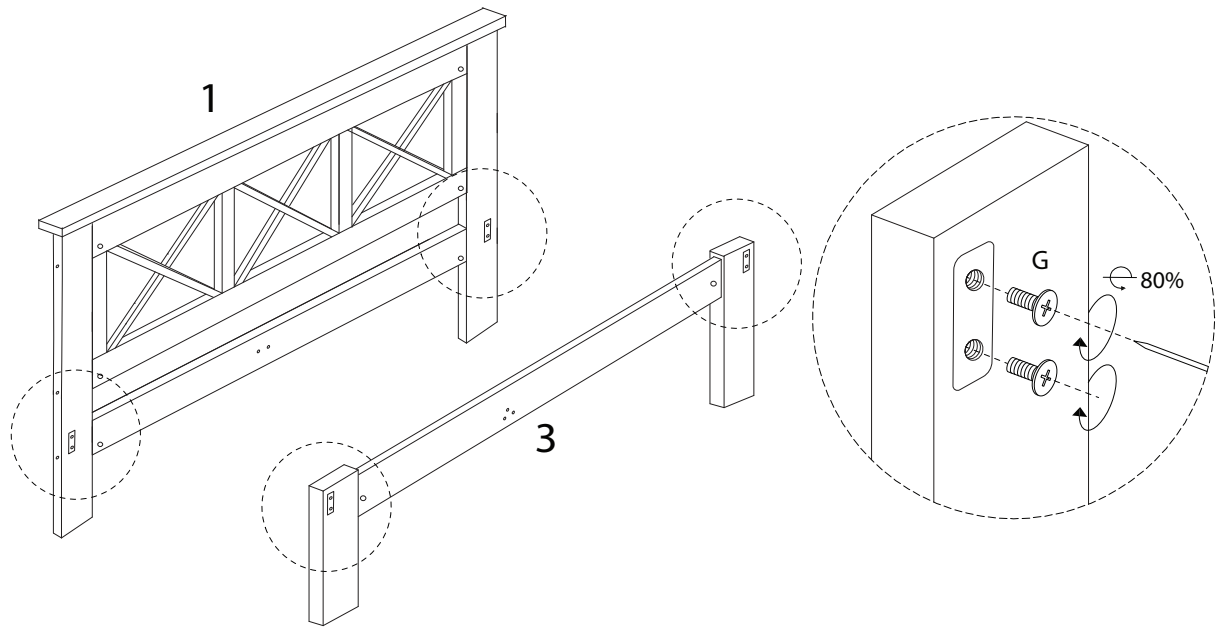


5

G

M8
x
12

x 8



6

10

x 1

11

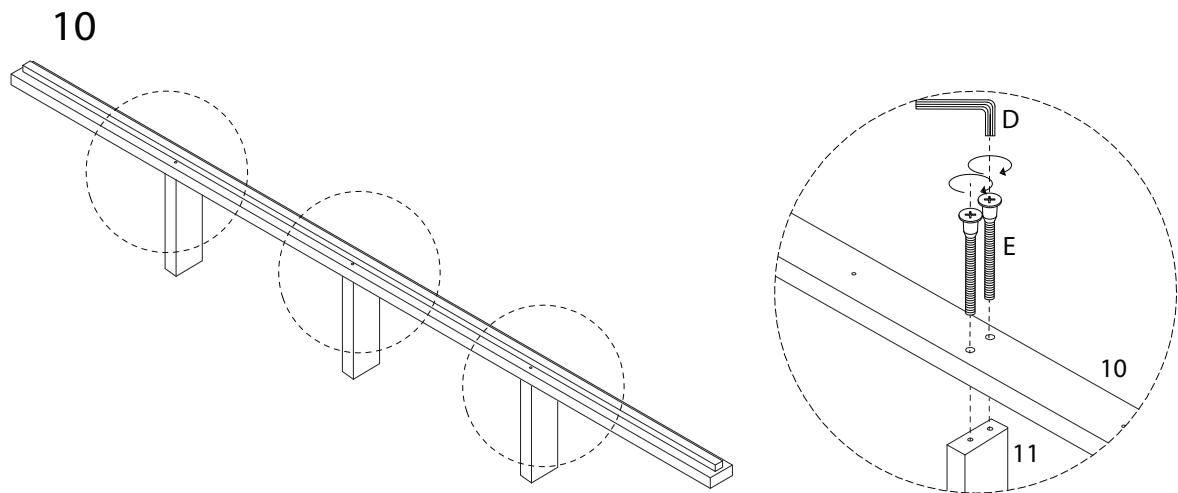
x 3

D

x 1

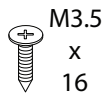
E

M7
x
50
x 6



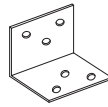
7

H

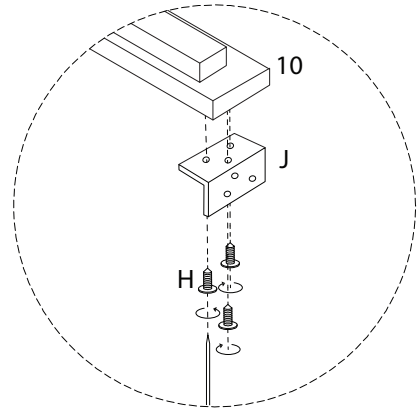
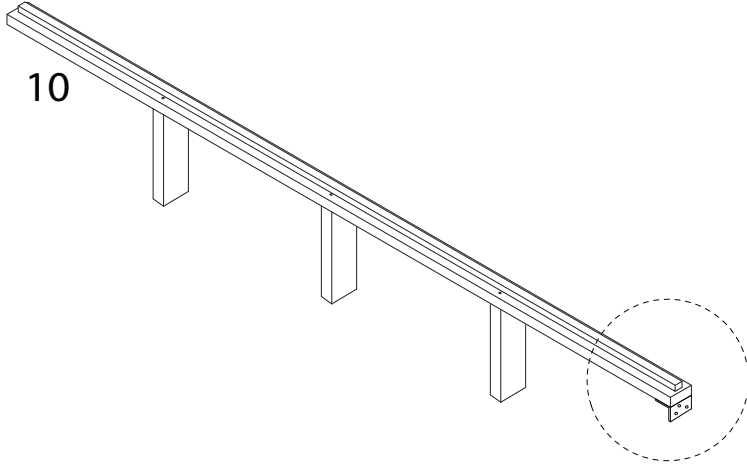


x 3

J

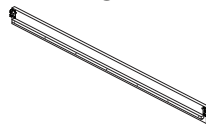


x 1

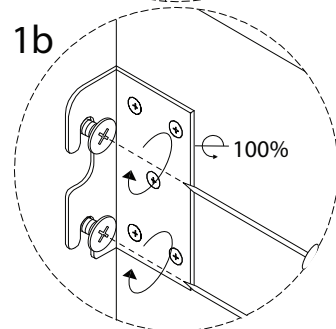
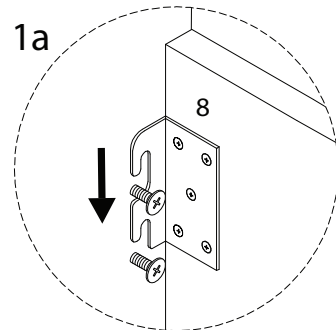
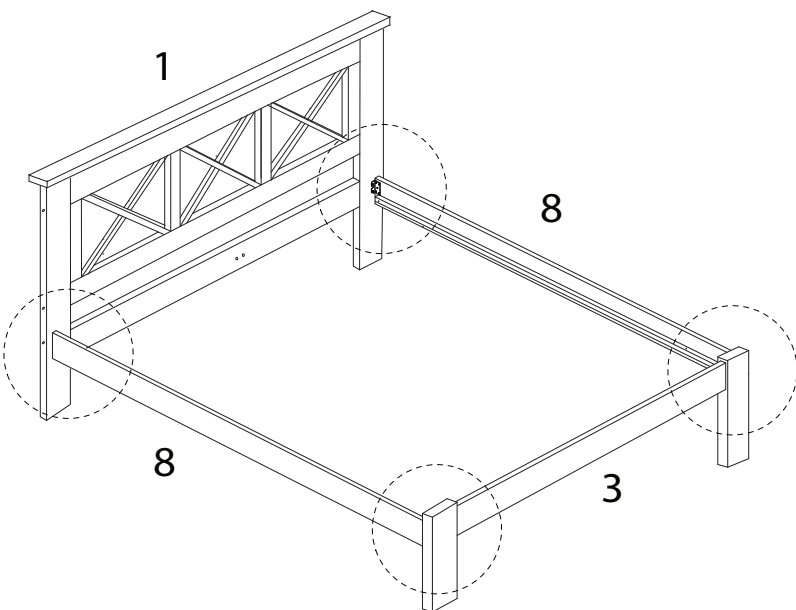


8

8



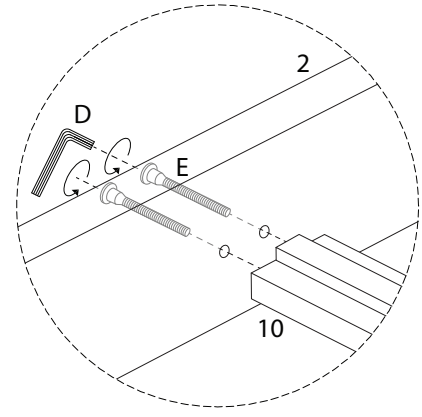
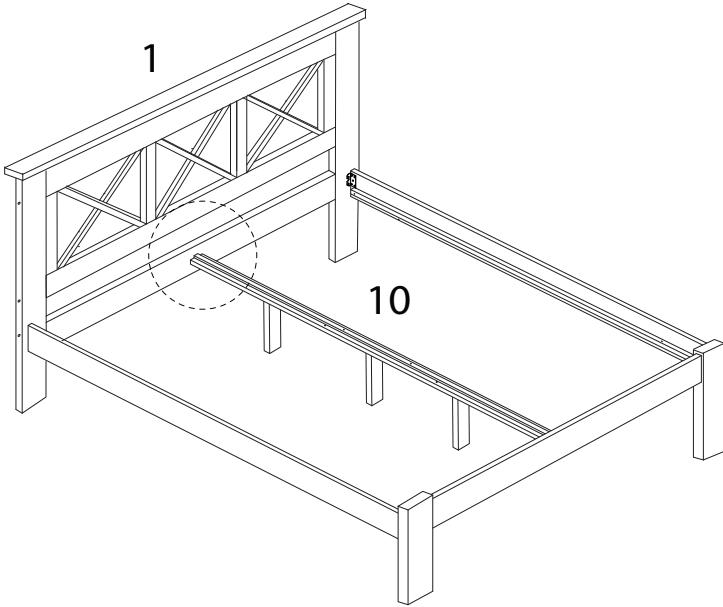
x 2



9

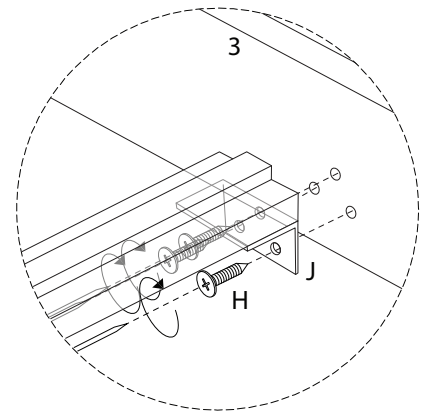
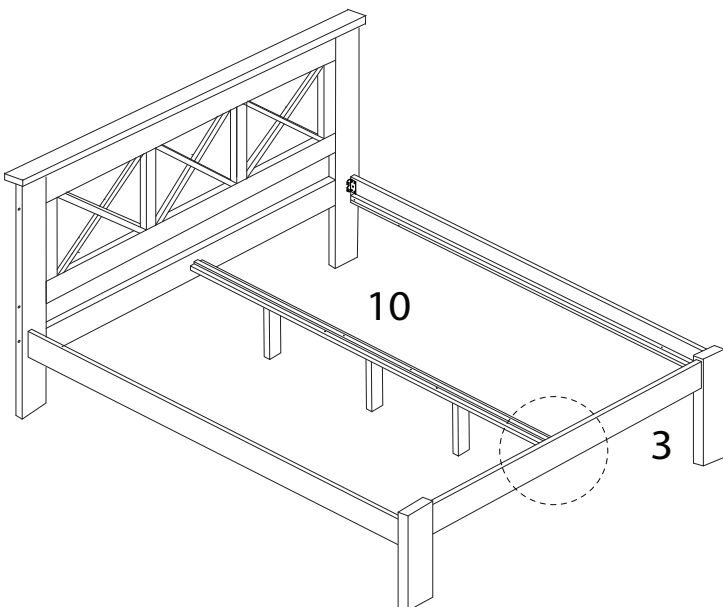
D
x 1

E
M7
x
50
x 2



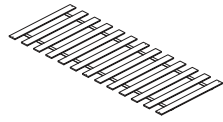
10

H
M3.5
x
16
x 3



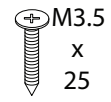
11

12



x 2

F



x 16

