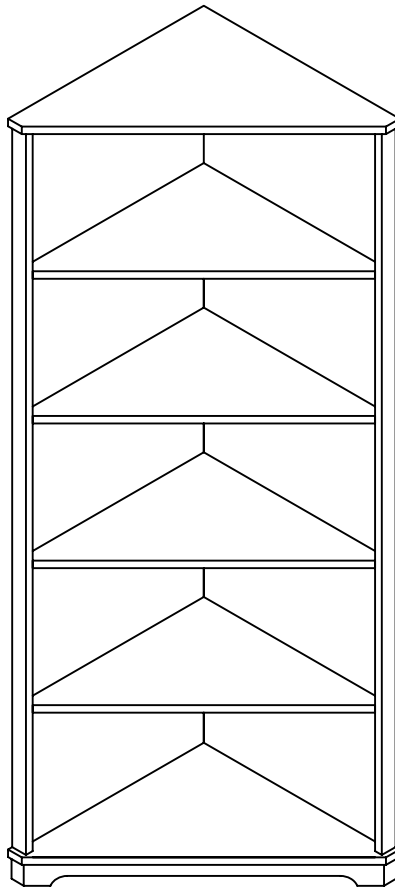


Assembly Instructions



ASSEMBLY RATING

The Assembly Rating is a 5-point system that shows the degree of effort needed in assembling a specific product (with 1 being easy and 5 being difficult). For some products, two persons are recommended.

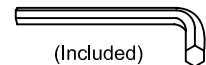
EASY



DIFFICULT

Tools Required For Assembly:

Allen Wrench

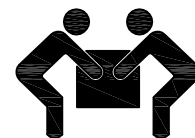


(Included)

Phillips Screwdriver



(Not Included)

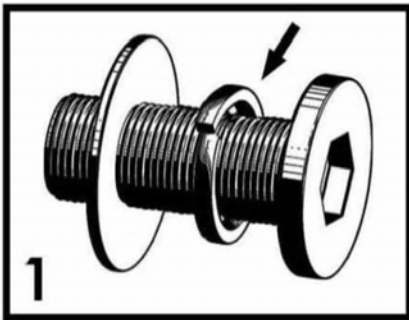


2 PERSONS RECOMMENDED

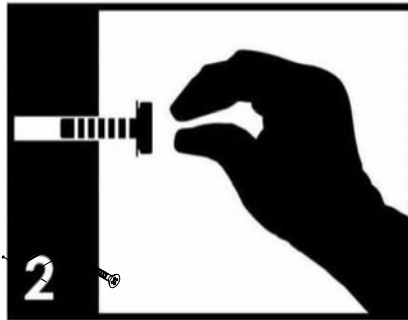
ASSEMBLY & CARE ADVICE

FOR YOUR FURNITURE TO LAST, CORRECT ASSEMBLY AND PROPER MAINTENANCE ARE NECESSARY. PLEASE FOLLOW THE INFORMATION PROVIDED BELOW TO FULLY ENJOY YOUR FURNITURE.

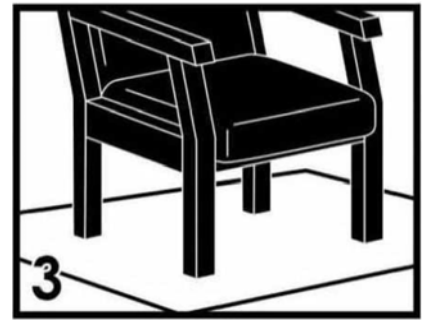
BASIC ASSEMBLY TECHNIQUES



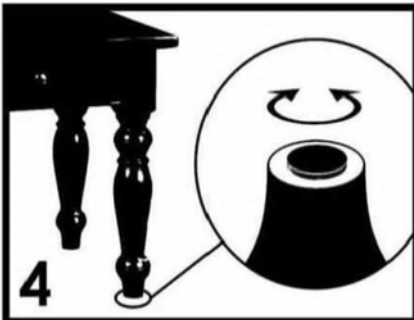
When lock or spring washer is used in an assembly, please make sure the lock or spring washer is placed between the larger flat washer and the head of the screw or bolt.



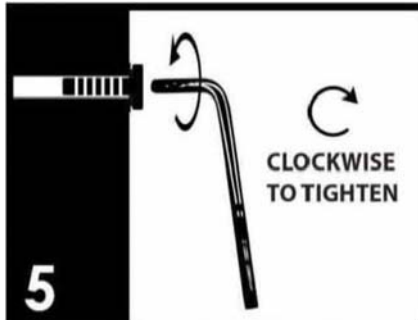
Position each part correctly and insert screws or bolts into their respective holes by hand tighten or using the proper hand tool. Only tighten when step is completed or when instructed to do so.



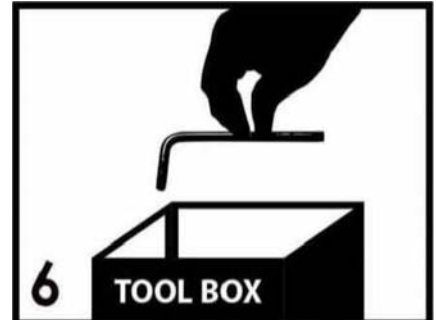
Use cardboard or carpet area when assembling furniture to prevent scratches. Make sure the furniture rests on a flat and level surface with each leg evenly touching the floor.



Some furniture comes with height adjustment knobs underneath each leg. To lower or to raise each leg, you need to turn clockwise or counterclockwise, respectively.

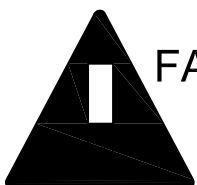


Make sure all parts are properly aligned, then use the appropriate hand tool to completely tighten the bolts or screws. Do not use power tools and do not overtighten.



Save the instructions and store the Allen wrench or any supplied tool for later maintenance. After two weeks, check and tighten any loose hardware and repeat again every six months thereafter.

IT IS THE USER'S RESPONSIBILITY TO MAINTAIN THE FURNITURE. THE HARDWARE MAY LOOSEN OVER TIME AND MAY CAUSE THE FURNITURE TO BE WOBBLY AND UNABLE TO SUPPORT ITS INTENDED WEIGHT CAPACITY. THIS MAY LEAD TO COLLAPSE AND MAY CAUSE SERIOUS INJURY.



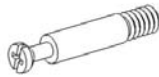
FAILURE TO FOLLOW THE GUIDELINES ABOVE MAY RESULT IN INJURY AND/OR PROPERTY DAMAGE.

Cam Lock Fastener Assembly

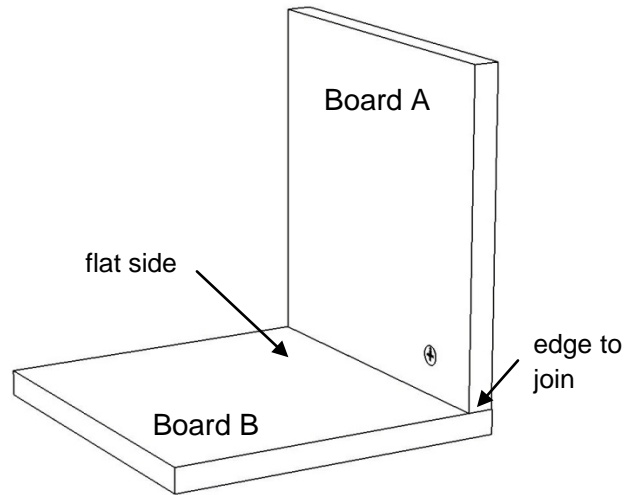
Cam Locks are fasteners used to join two boards together, usually the edge of one board (A) to the flat side of another board (B).



Cam Lock

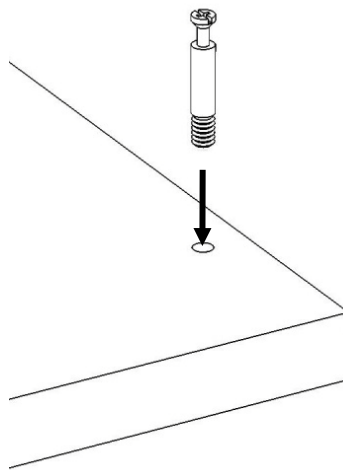


Cam Pin

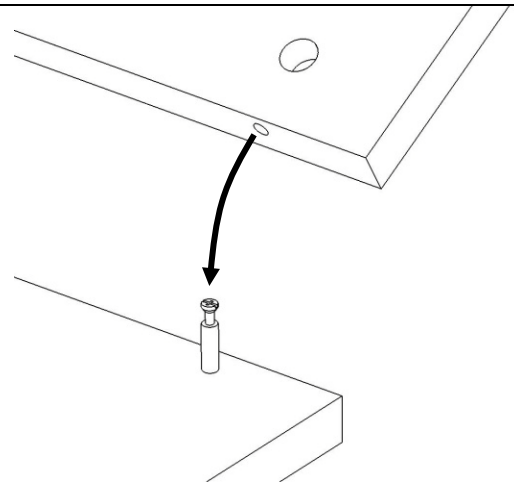


To use Cam Lock Fasteners:

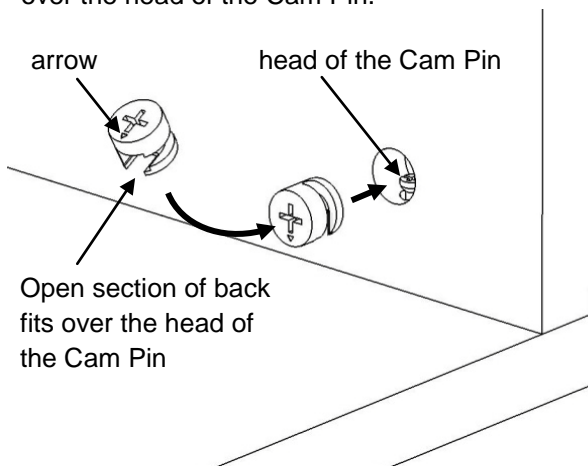
Step 1 - Insert Cam Pin into the flat side of a board. Tighten only until snug. Do not over-tighten.



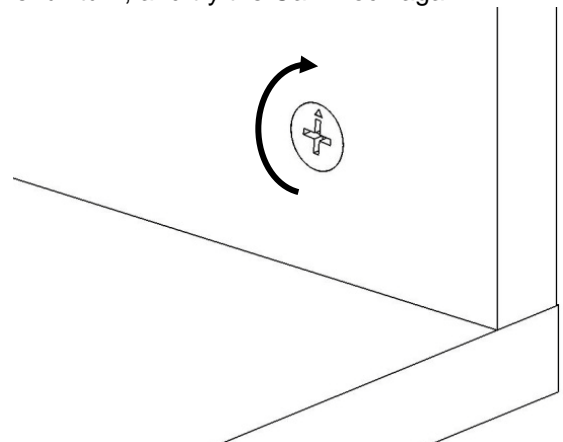
Step 2 - Fit the hole in the edge of the joining board over the Cam Pin. The head of the Cam Pin will be visible in the large hole in the side of the joining board, as in Step 3.



Step 3 - Notice the Cam Lock has a "C"-shaped back. An arrow on the front points the same direction as the open section. Insert the Cam Lock into the large hole so the opening of the "C" fits over the head of the Cam Pin.



Step 4 - Use a flat screwdriver to turn the Cam Lock clockwise one half a turn so it locks onto the head of the Cam Pin. Turn only until it is snug – over-tightening could cause the Cam to bend or break. If it will not turn the full amount, turn the Cam Pin out (counter-clockwise) one full turn, and try the Cam Lock again.

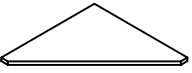
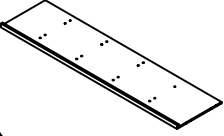
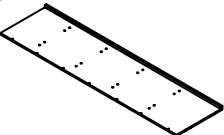
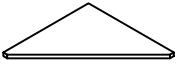





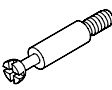






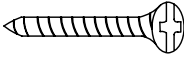
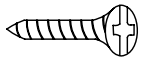
Before you begin, please read Page 2 of "Assembly and Care Advice".

And remember, do not tighten until each step is completed or instructed.

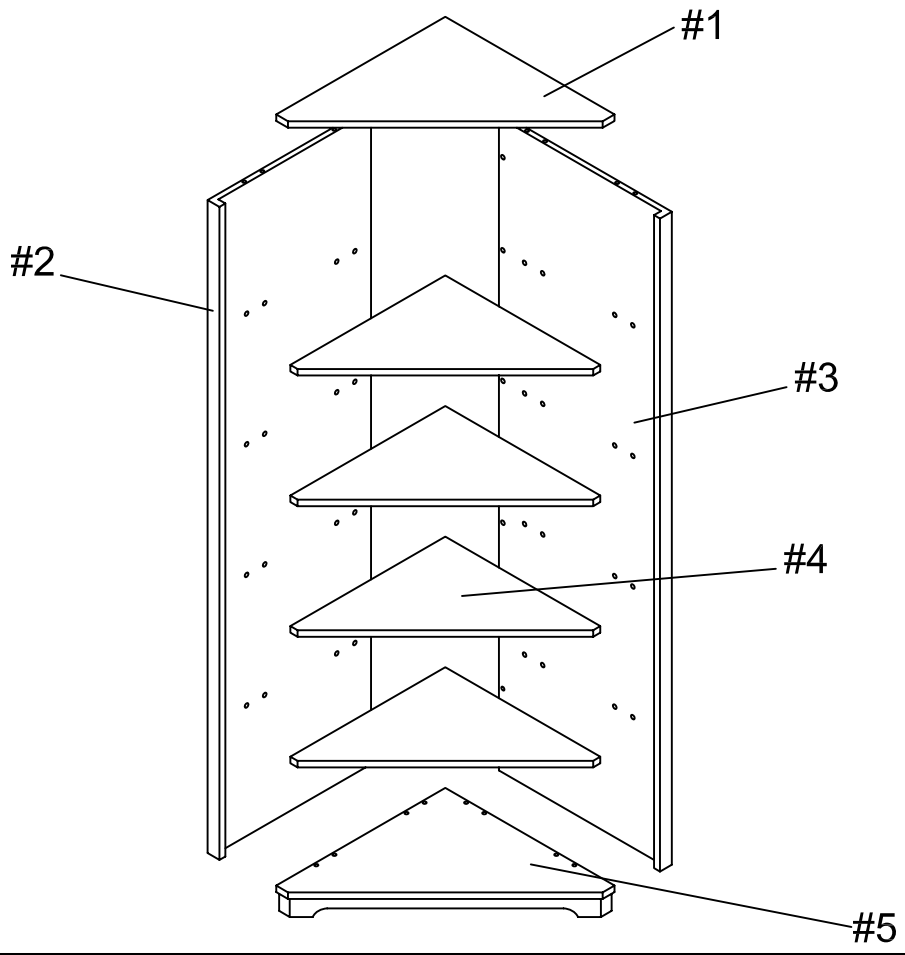
Parts List

-  #1 x 1pc
Top Panel
-  #2 x 1pc
Left Side Panel
-  #3 x 1pc
Right Side Panel
-  #4 x 4pcs
Divider Shelf
-  #5 x 1pc
Bottom Panel

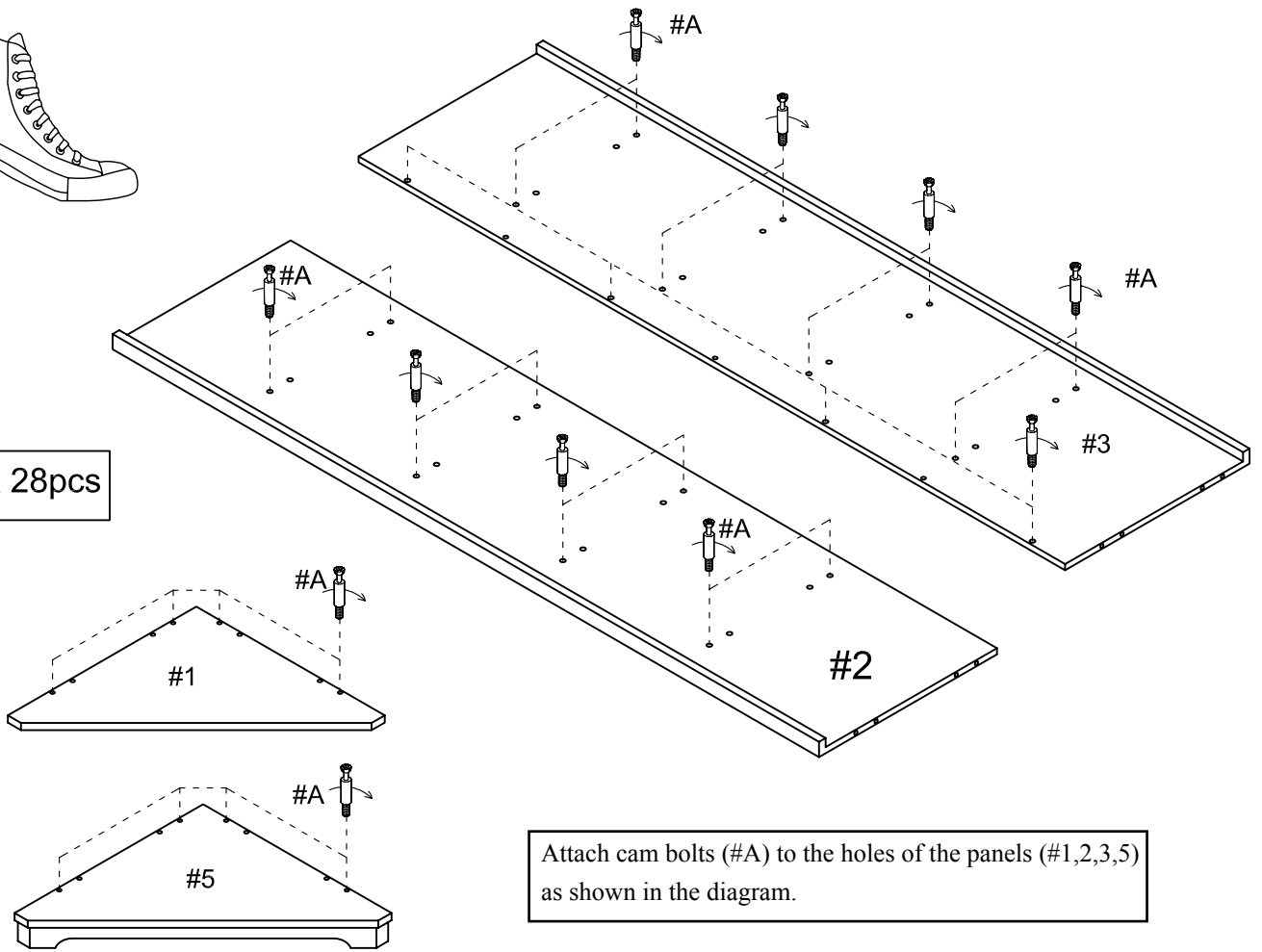
Hardware List

-  #A x 28pcs
CAM-Bolt
-  #B x 28pcs
CAM-Lock
-  #C x 27pcs
Wood Dowel 8 x 30mm
-  #D x 1pc
Allen Wrench 4 mm
-  #E x 1pc
Plastic
-  #F x 2pcs
L Metal
-  #G x 1pc
Plastic Line
-  #H x 1pc
Large Screw
-  #I x 1pc
Short Screw

Exploded View



#B x 28pcs

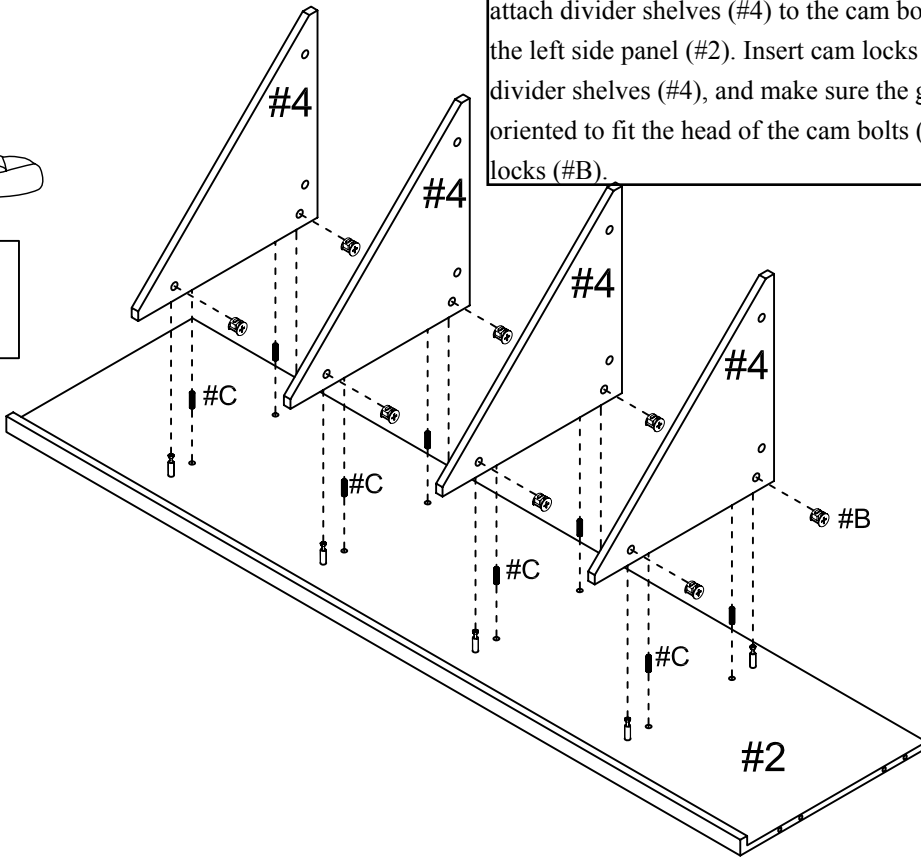


Attach cam bolts (#A) to the holes of the panels (#1,2,3,5) as shown in the diagram.



#3

#B x 8pcs
#C x 8pcs

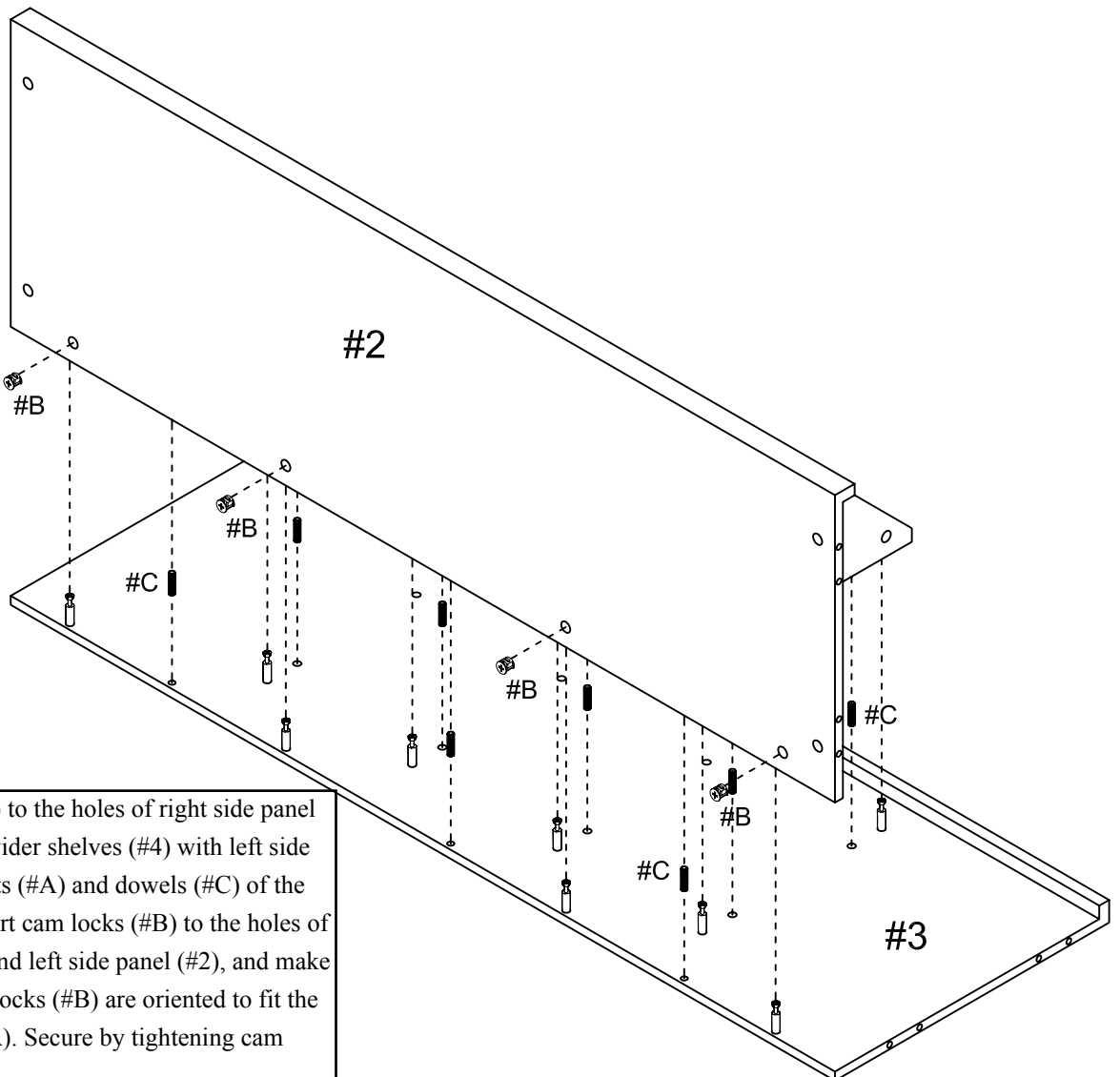


Attach wood dowels (#C) to the holes of left side panel (#2). Align and attach divider shelves (#4) to the cam bolts (#A) and dowels (#C) of the left side panel (#2). Insert cam locks (#B) to the holes of the divider shelves (#4), and make sure the gaps of the cam locks (#B) are oriented to fit the head of the cam bolts (#A). Secure by tightening cam locks (#B).



#4

#B x 12pcs
#C x 11pcs



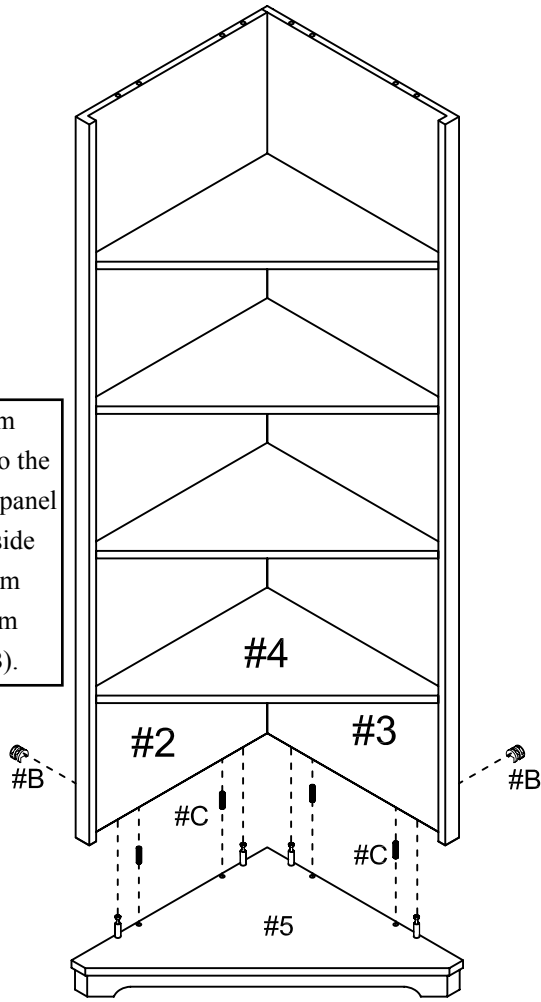
Attach wood dowels (#C) to the holes of right side panel (#3). Align and attach divider shelves (#4) with left side panel (#2) to the cam bolts (#A) and dowels (#C) of the right side panel (#3). Insert cam locks (#B) to the holes of the divider shelves (#4) and left side panel (#2), and make sure the gaps of the cam locks (#B) are oriented to fit the head of the cam bolts (#A). Secure by tightening cam locks (#B).



#5

#B x 4pcs
#C x 4pcs

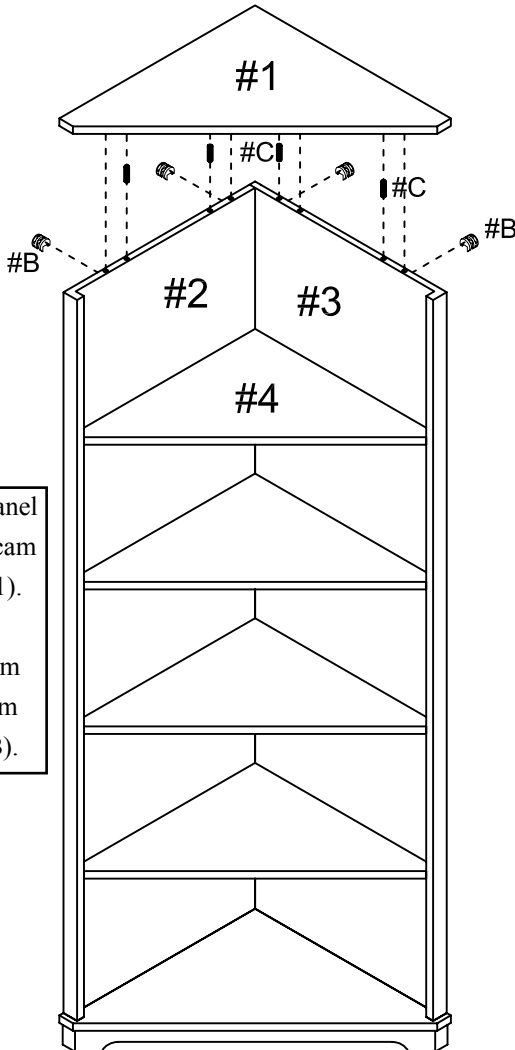
Attach wood dowels (#C) to the holes of bottom panel (#5). Align and attach side panel (#2,3) to the cam bolts (#A) and dowels (#C) of the bottom panel (#5). Insert cam locks (#B) to the holes of the side panels (#2,3), and make sure the gaps of the cam locks (#B) are oriented to fit the head of the cam bolts (#A). Secure by tightening cam locks (#B).



#6

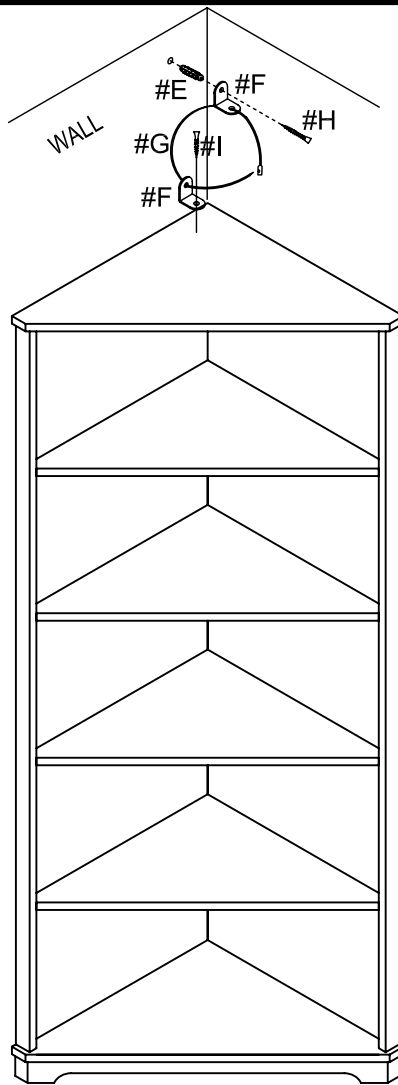
#B x 4pcs
#C x 4pcs

Attach wood dowels (#C) to the holes of top panel (#1). Align and attach side panel (#2,3) to the cam bolts (#A) and dowels (#C) of the top panel (#1). Insert cam locks (#B) to the holes of the side panels (#2,3), and make sure the gaps of the cam locks (#B) are oriented to fit the head of the cam bolts (#A). Secure by tightening cam locks (#B).

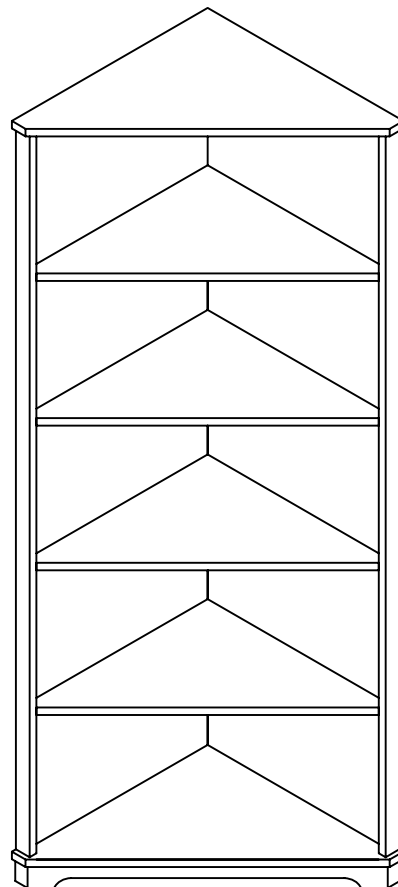




#E x 1pc
#F x 2pcs
#G x 1pc
#H x 1pc
#I x 1pc



Align metal bracket (#F) to the back top corner of the product. Secure by using short screw (#I). Create hole in the wall, then insert plastic insert (#E) to the hole in the wall. Align metal bracket (#F) to the hole of the plastic insert (#E), then secure by using long screw (#H). Attach strap (#G) to the metal brackets (#F).



ASSEMBLY COMPLETED