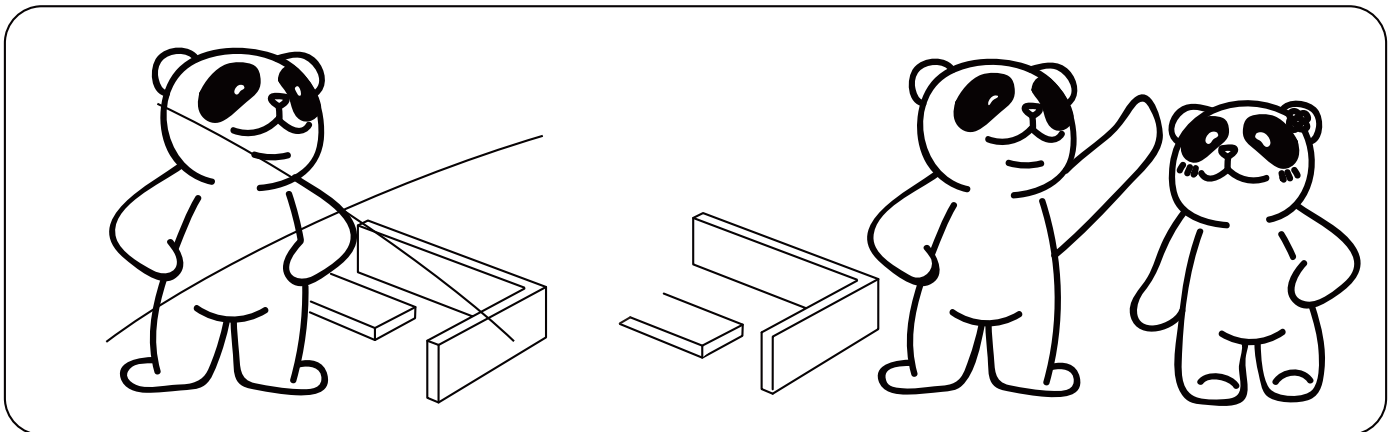
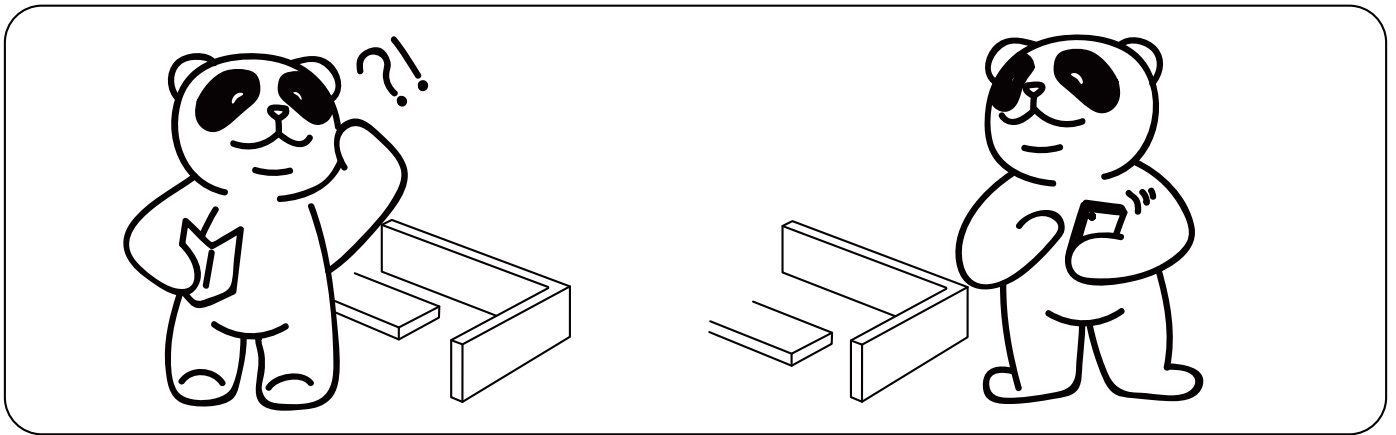
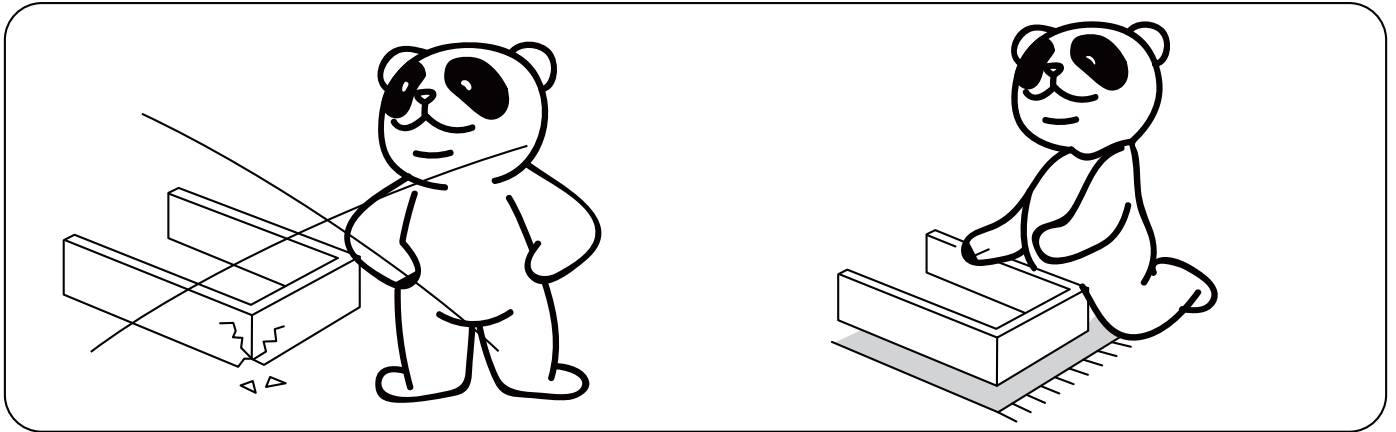
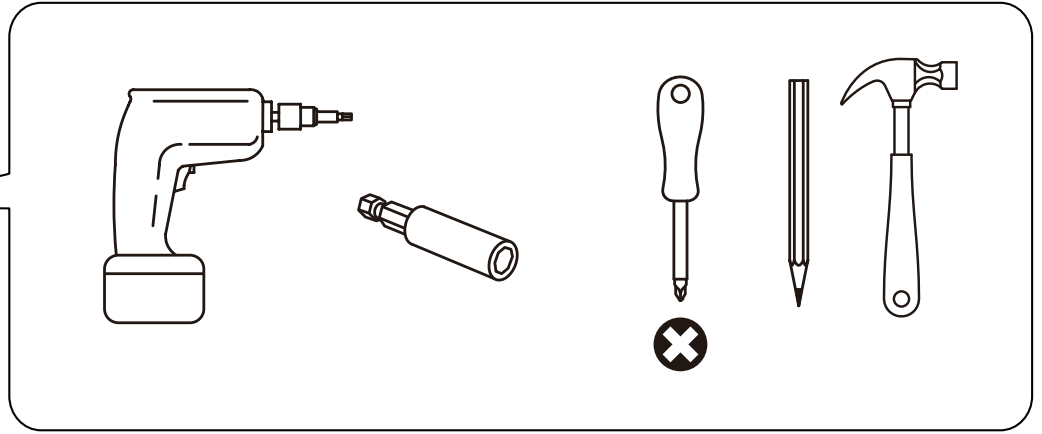


DJ504296

Version: 1.1



Installation parts



A
x48(+2)
Ø6x35mm



B
x48(+2)
Ø15x10mm



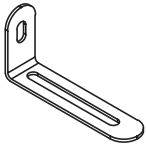
C
x44(+2)
Ø6x30mm



D
x46(+3)
Ø4x35mm



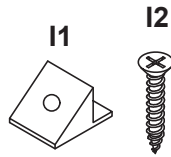
E
x72(+3)
Ø3.5x12mm



F
x2



G
x4
Ø4x12mm



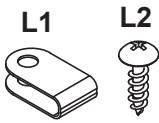
I
x12(+1)
Ø3x16mm



J
x2
Ø6x30mm



K
x1



L
x2
Ø3x10mm



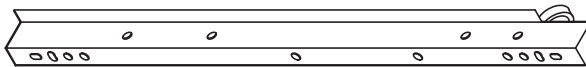
M
x24
Ø5x40mm



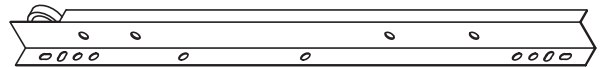
CL
x6
350mm



CR
x6
350mm

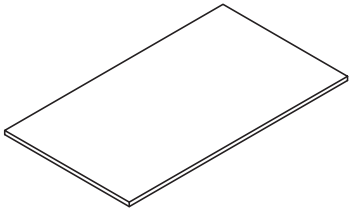


DL
x6
350mm

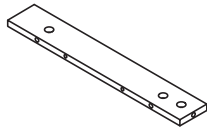


DR
x6
350mm

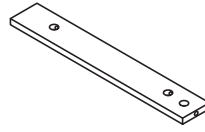
Mounting frame



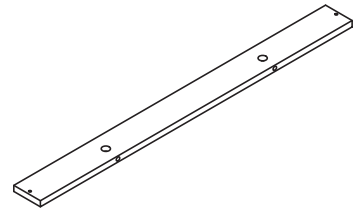
1
x1



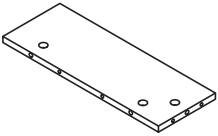
2
x1



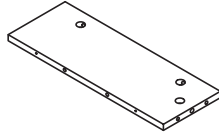
3
x1



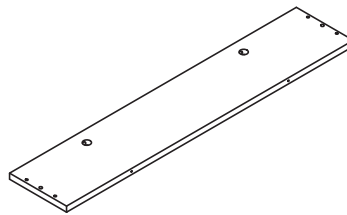
4
x1



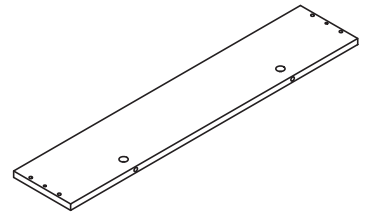
5
x1



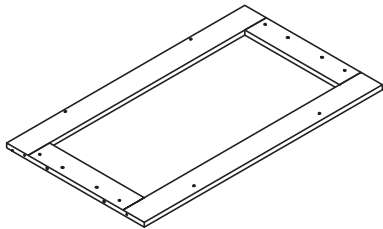
6
x1



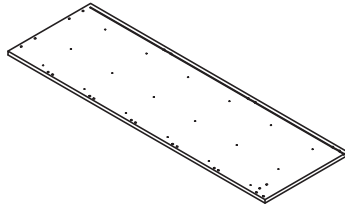
7
x1



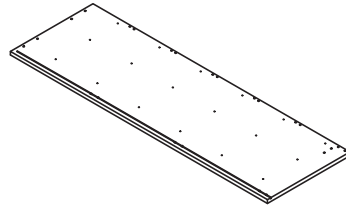
8
x1



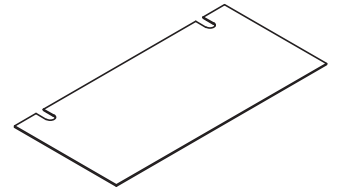
9
x1



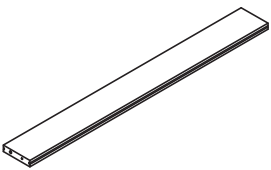
10
x1



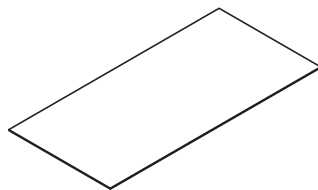
11
x1



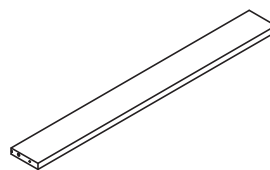
12
x1



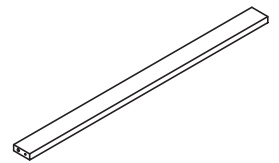
13
x2



14
x2

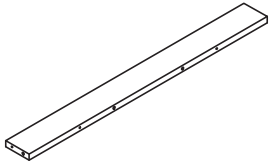


15
x1

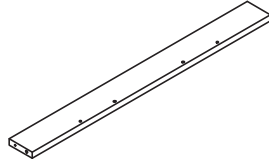


16
x5

Mounting frame

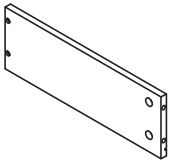


17
x1

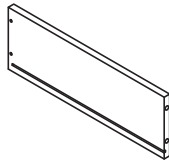


18
x1

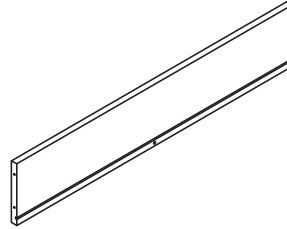
Drawer mounting frame



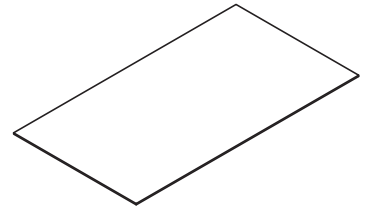
19
x6



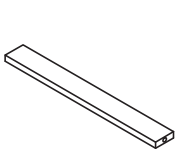
20
x6



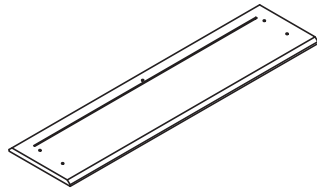
21
x6



22
x6



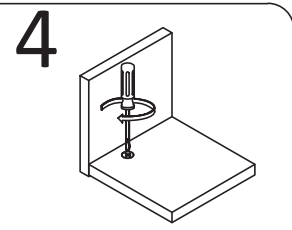
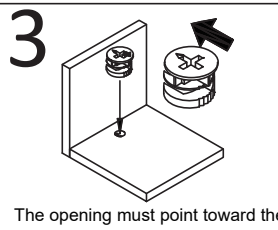
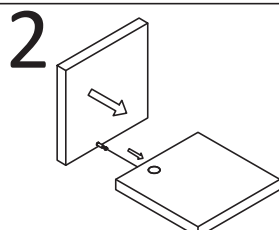
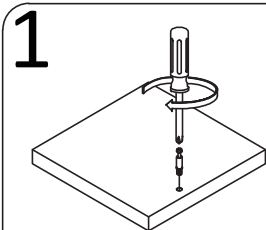
23
x6

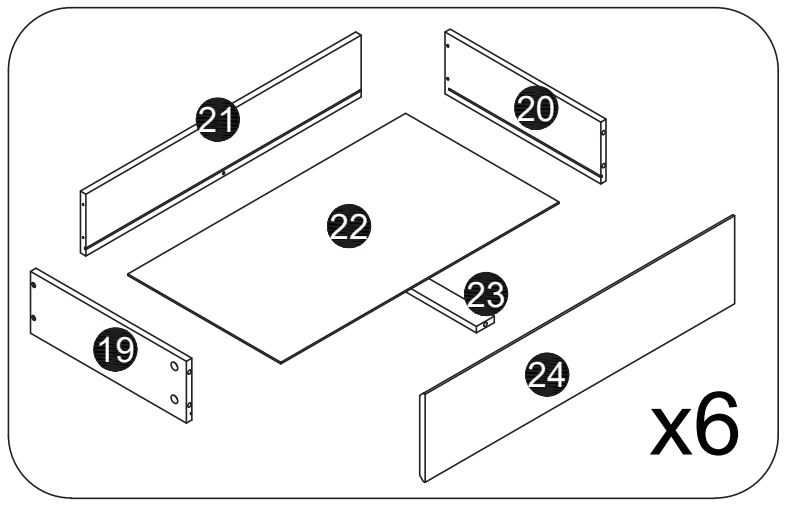
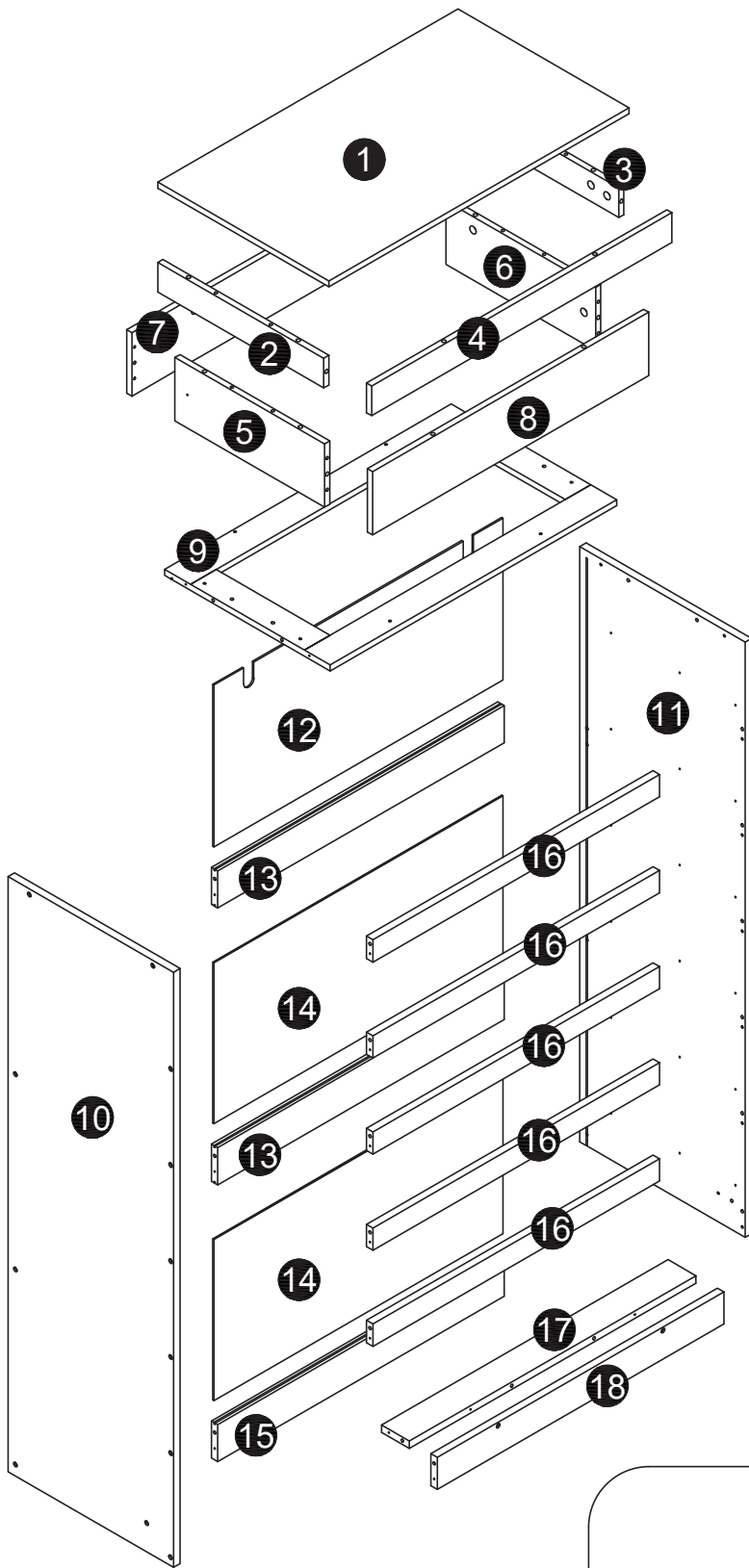


24
x6

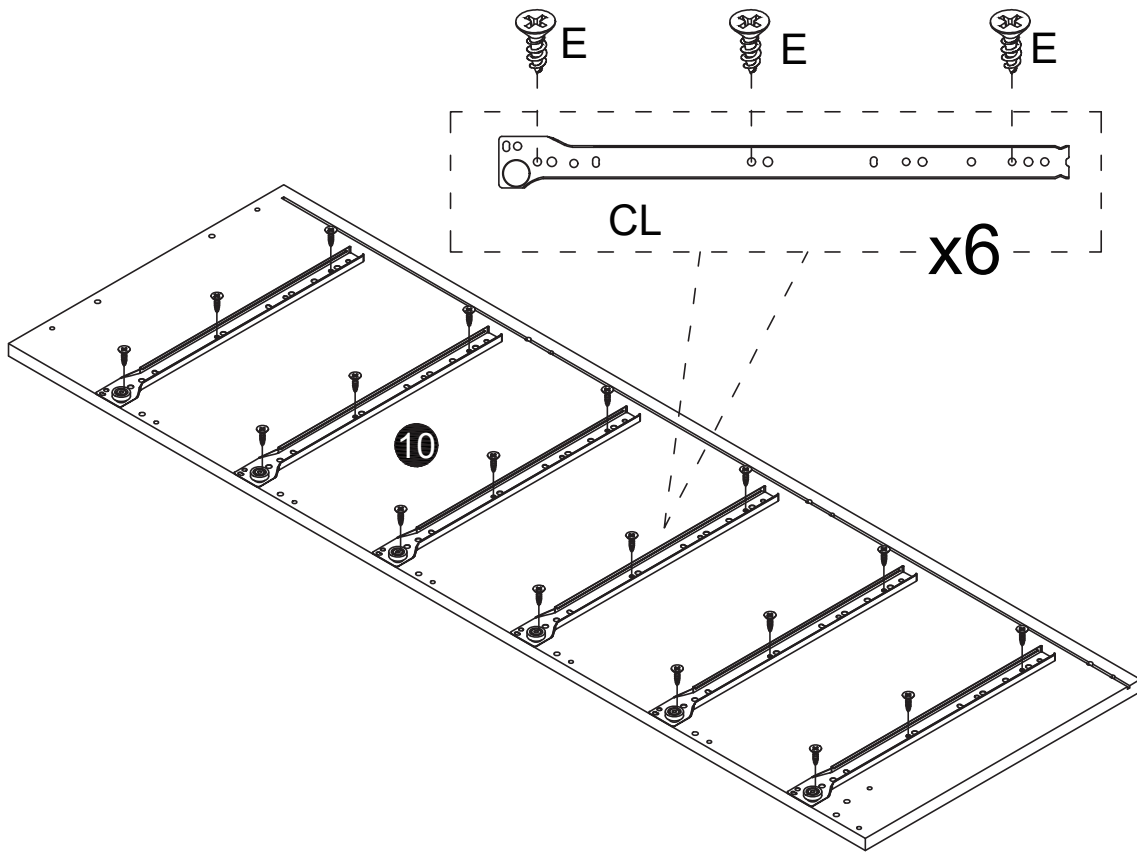
Cam LockFasteningSystem


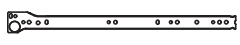
Insert the cam bolt into the hole first, then insert the cam lock and lock it.



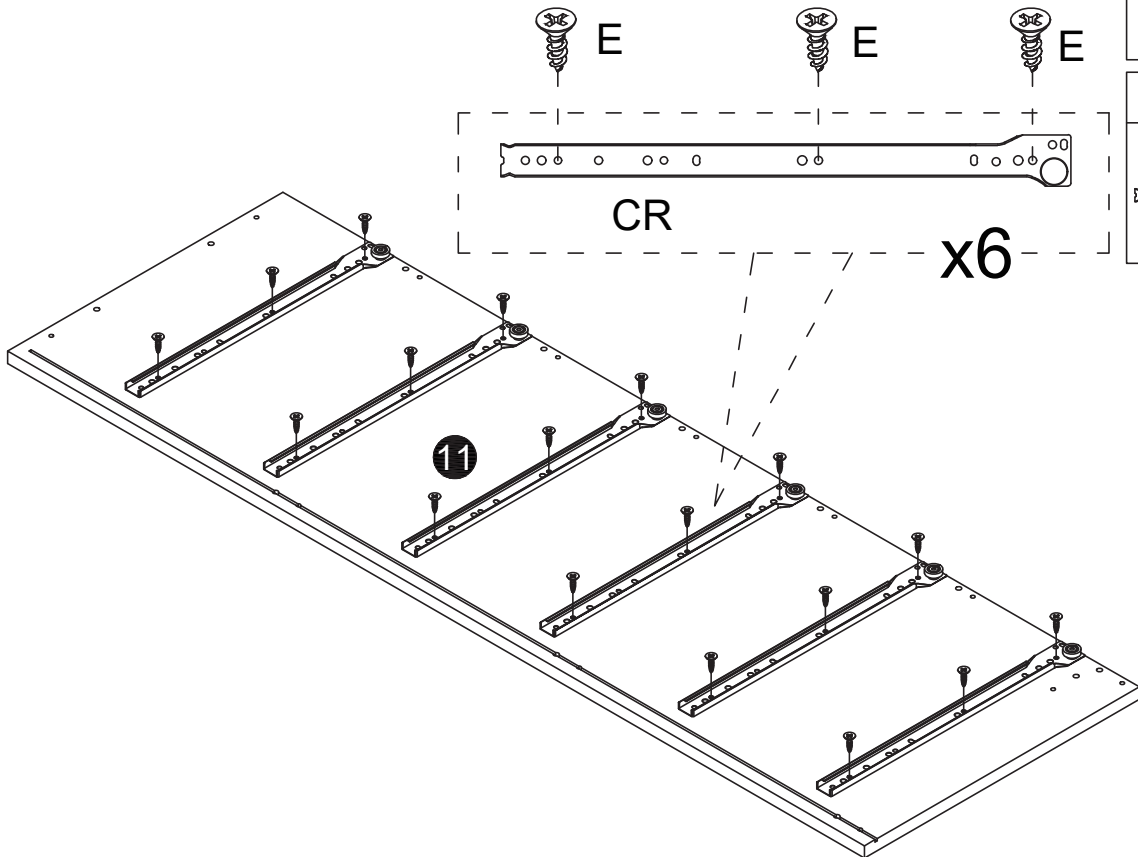



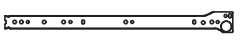
01



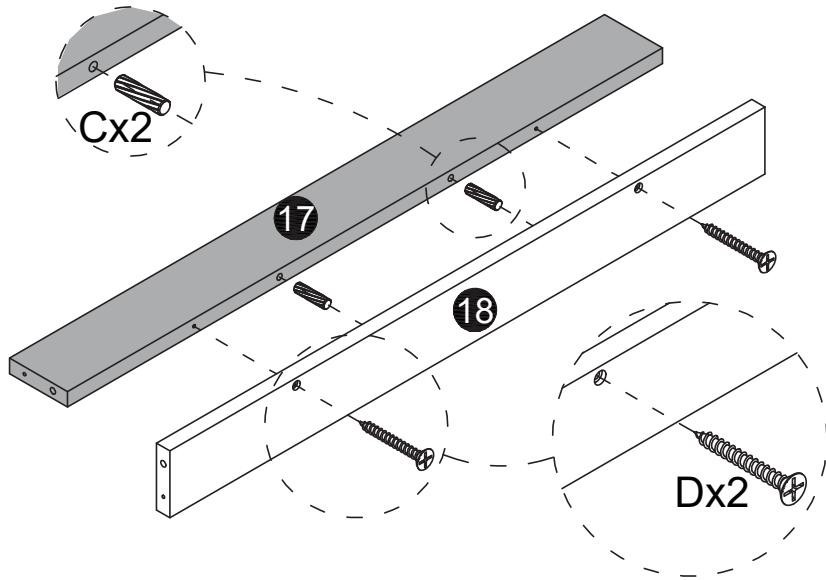
E	x18
	
CL	x6
	



02



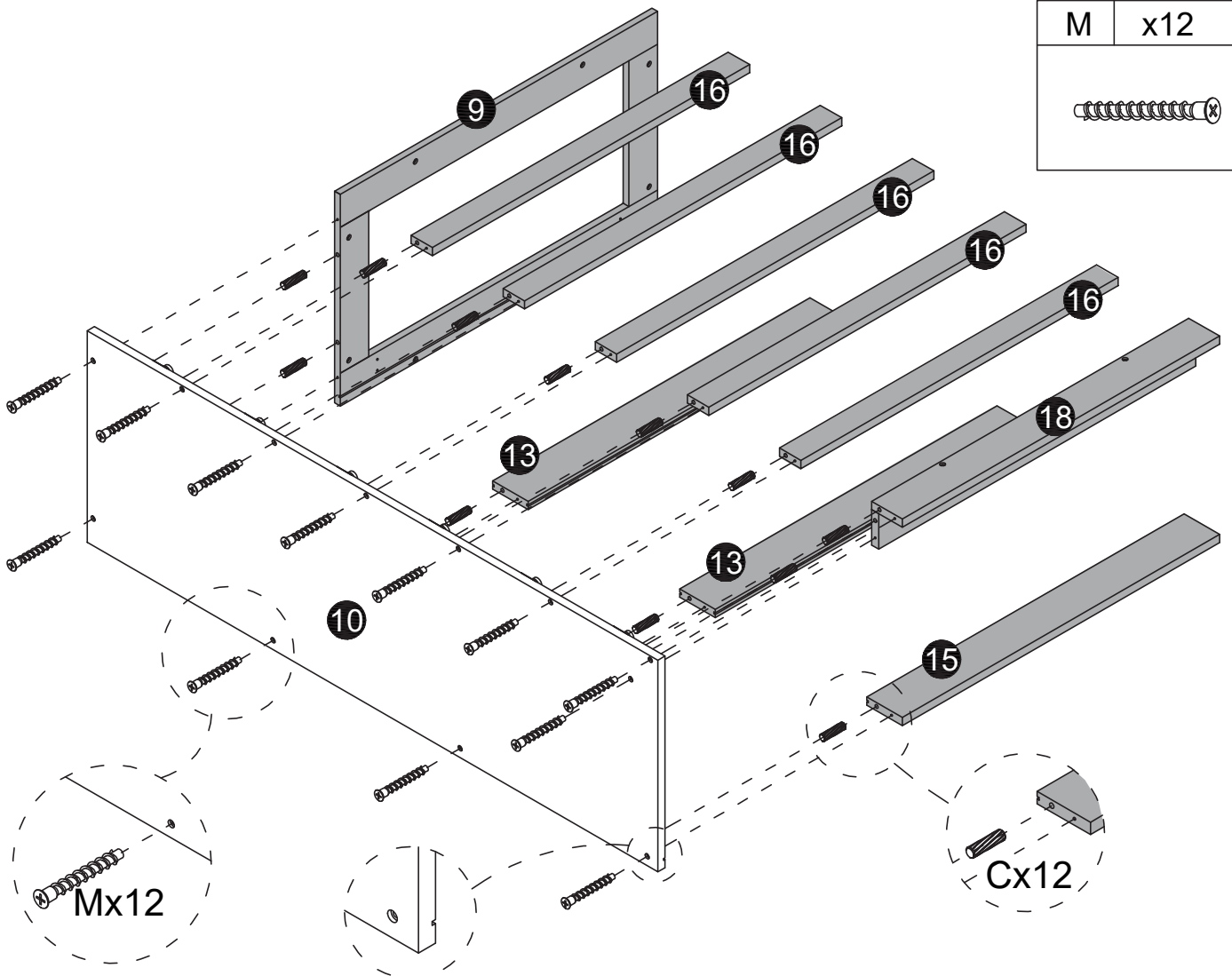
E	x18
	
CR	x6
	



03




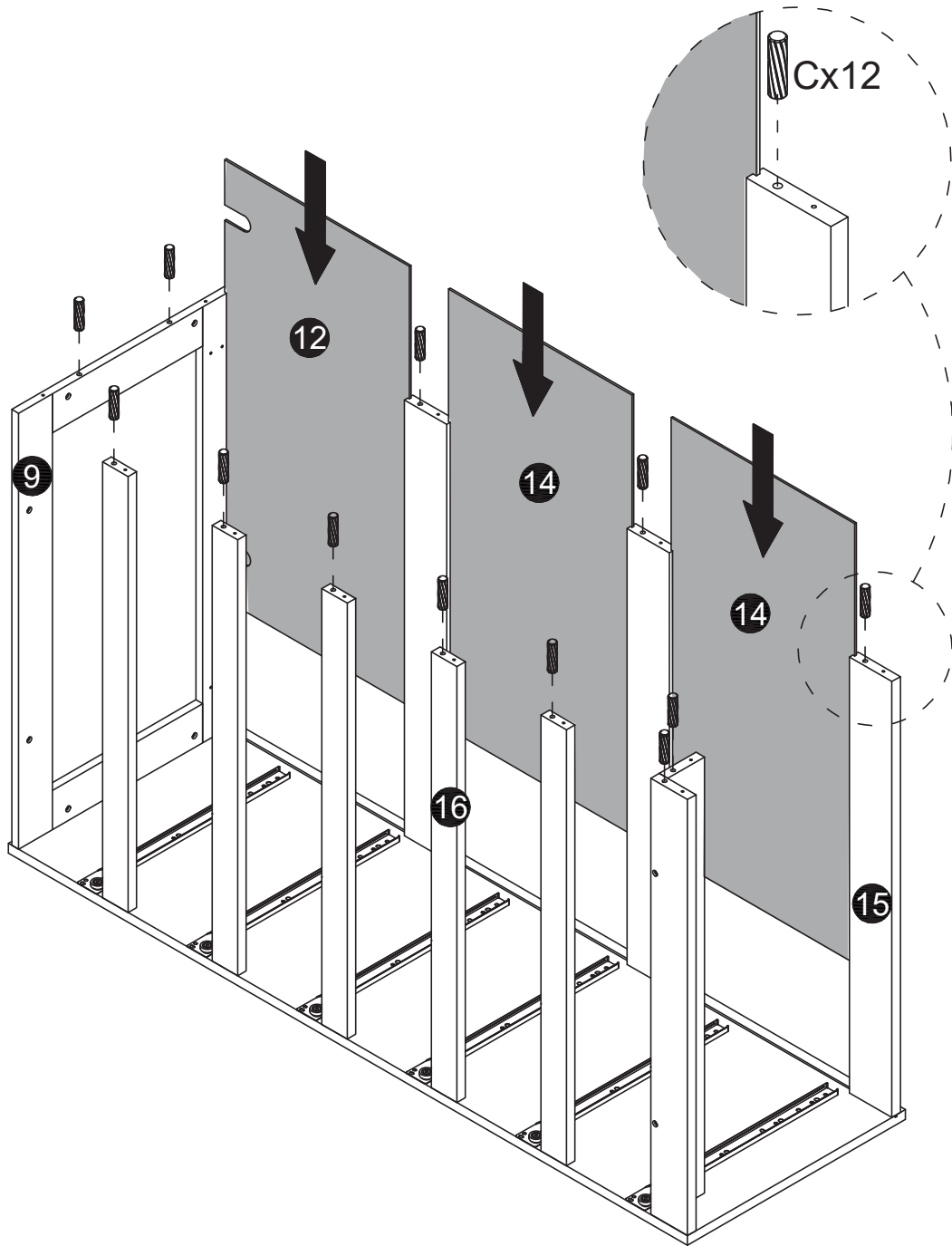
C	x2
	
D	x2
	


04

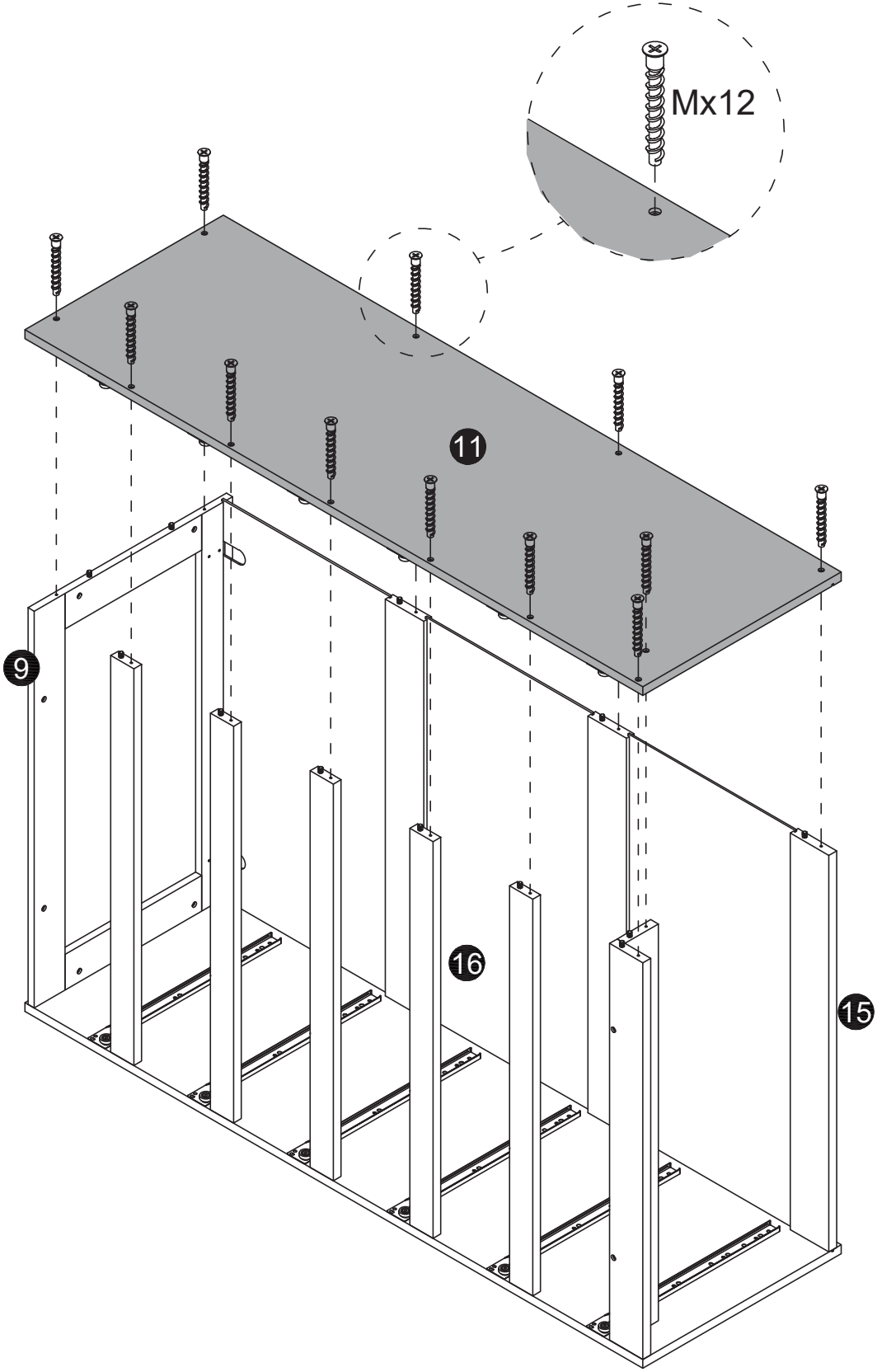


C	x12
	
M	x12
	



C	x12
	

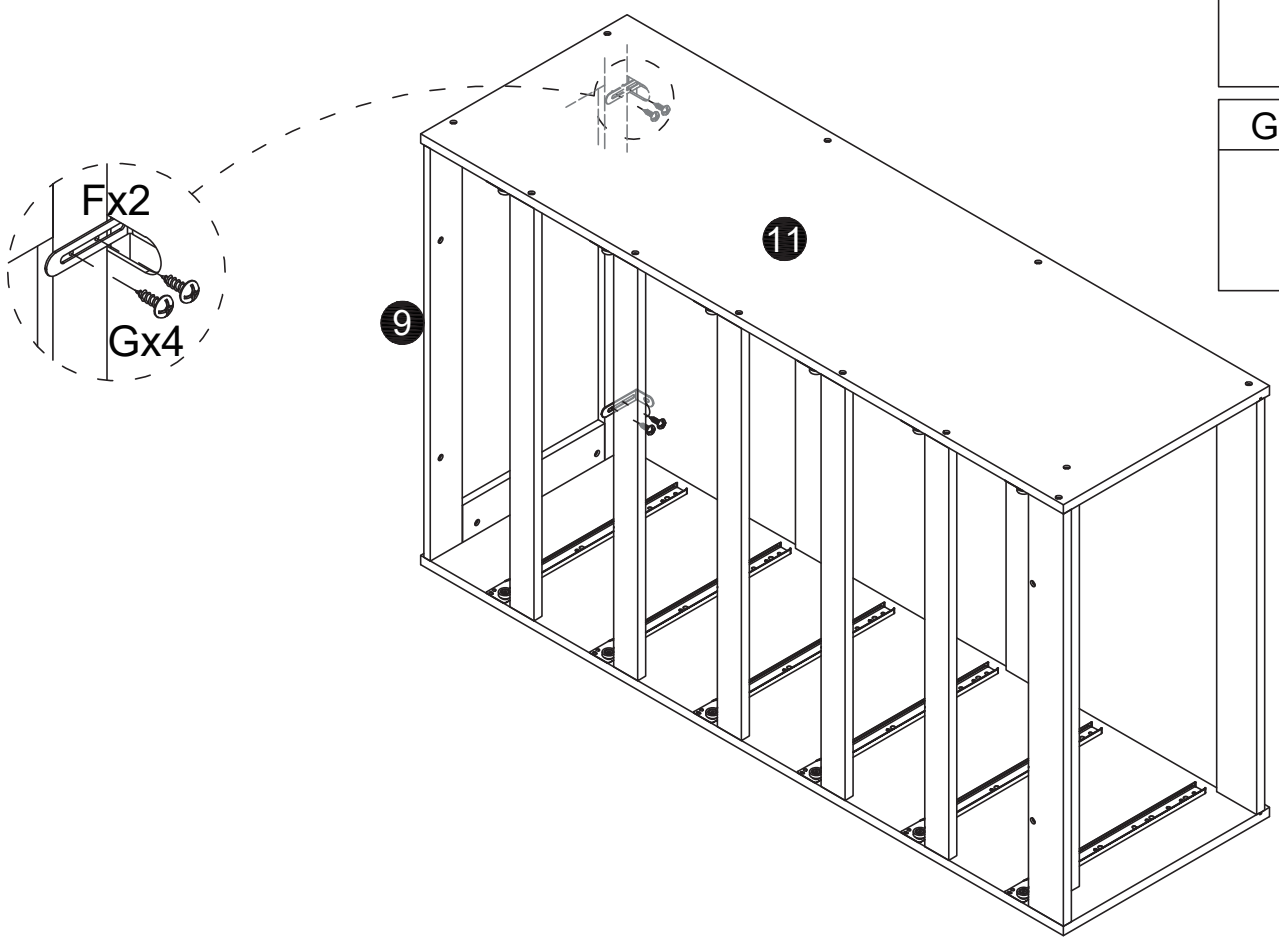


M	x12
	

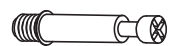


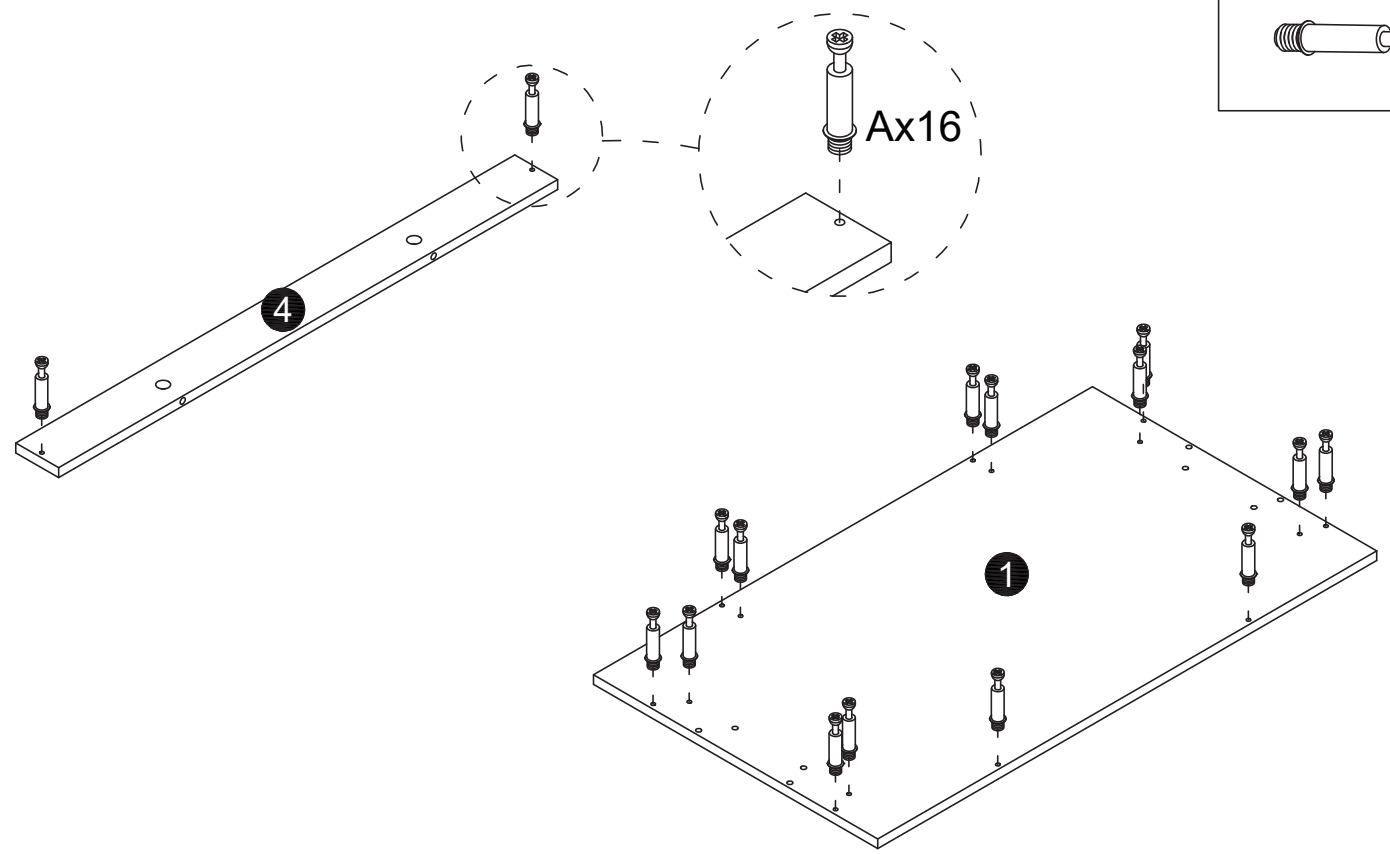
07

F	x2
	
G	x4
	




08

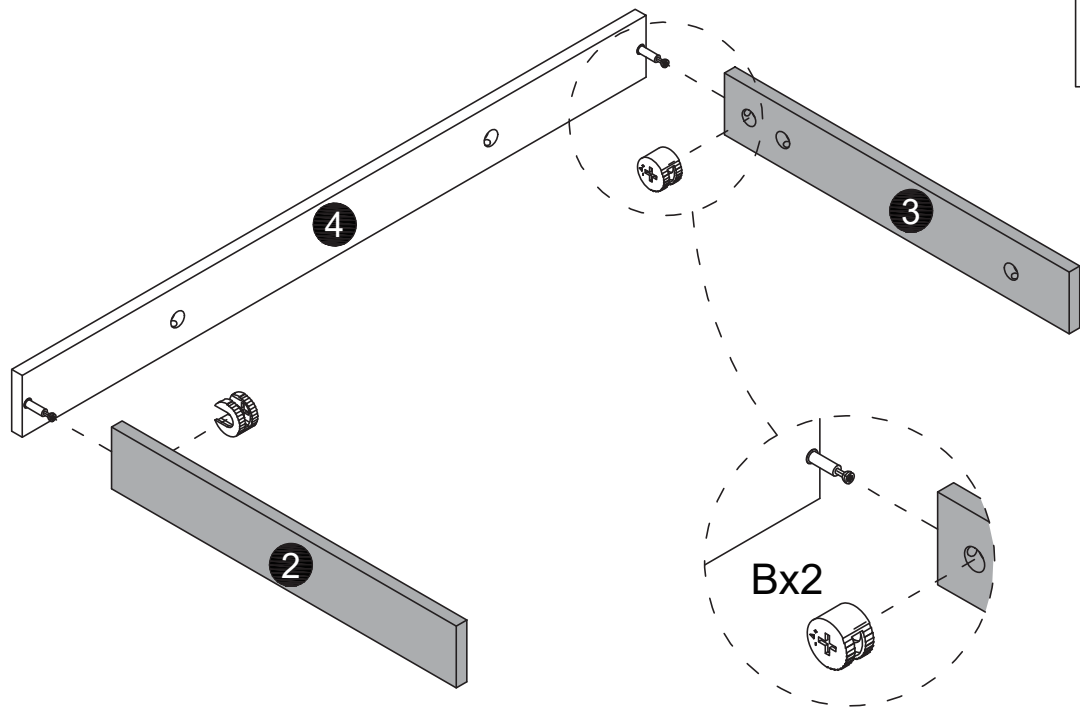
A	x16
	




09


Attention hole position.

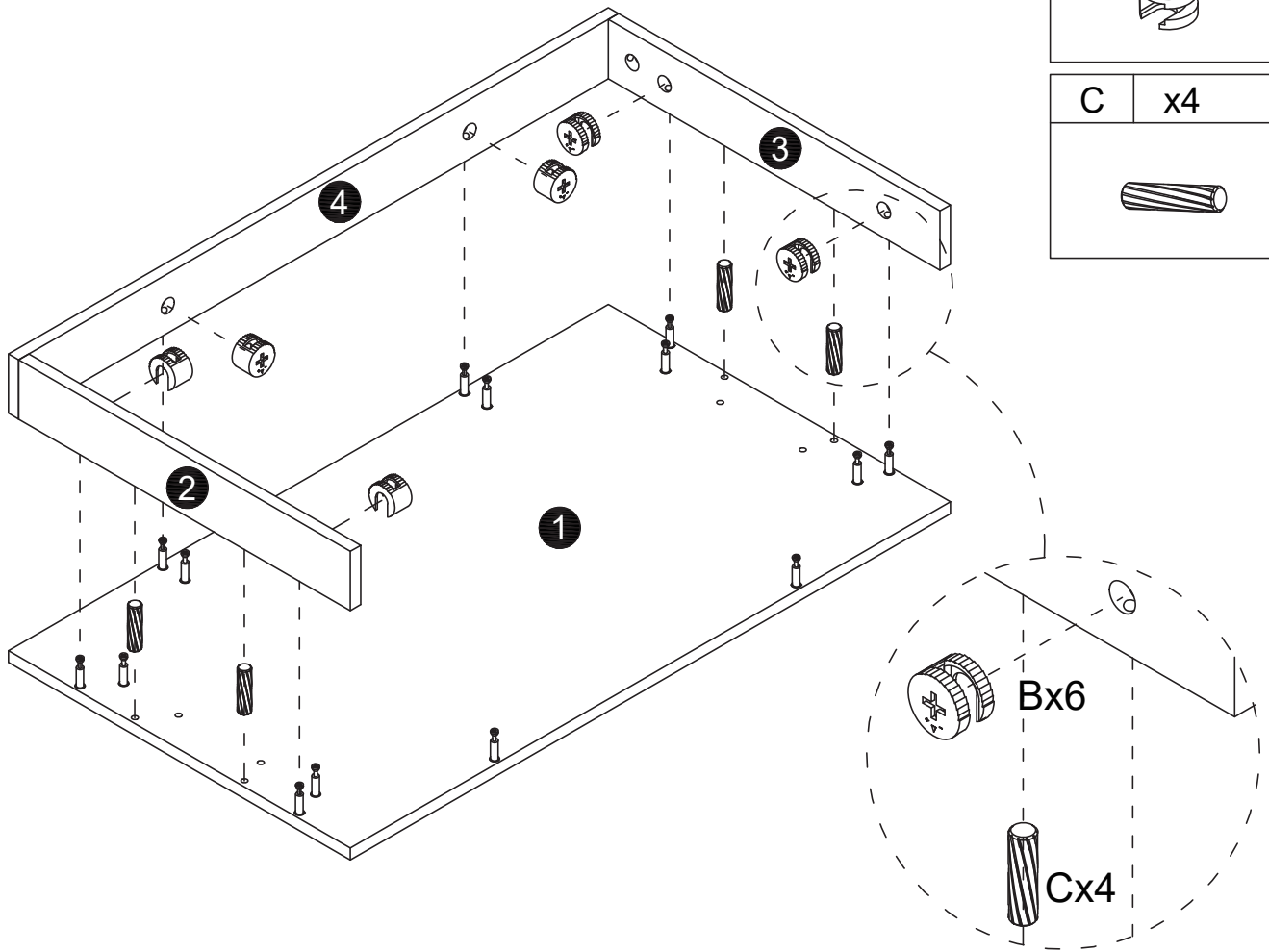
B	x2
	



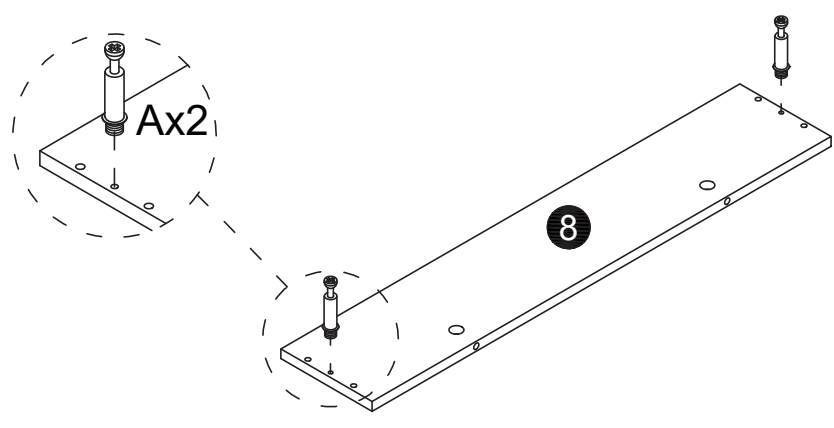
10

B	x6
	

C	x4
	

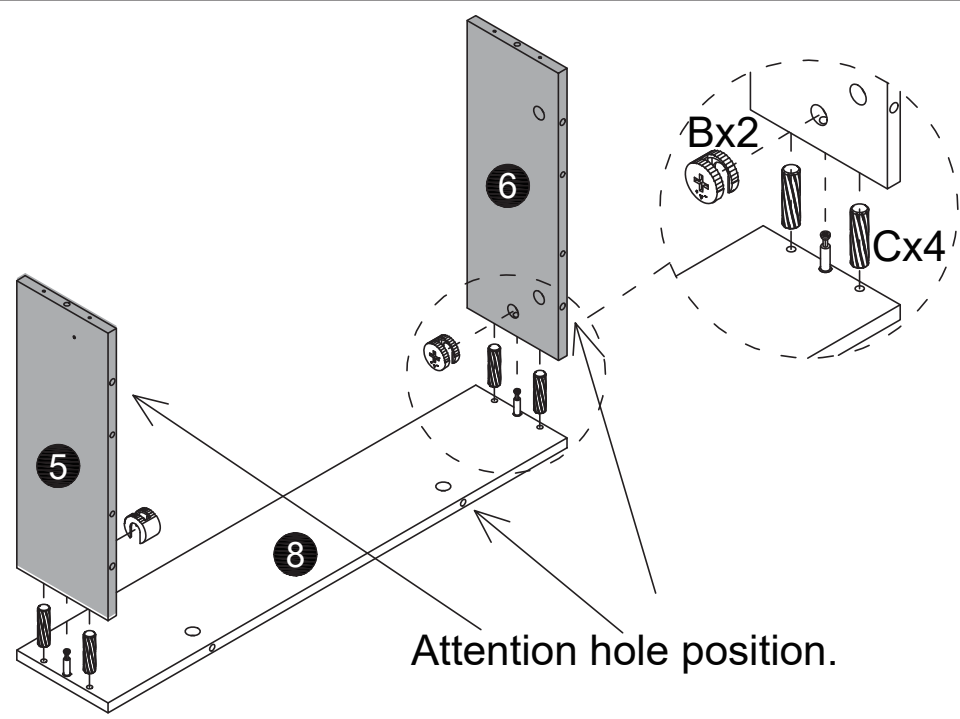


11



A	x2

12

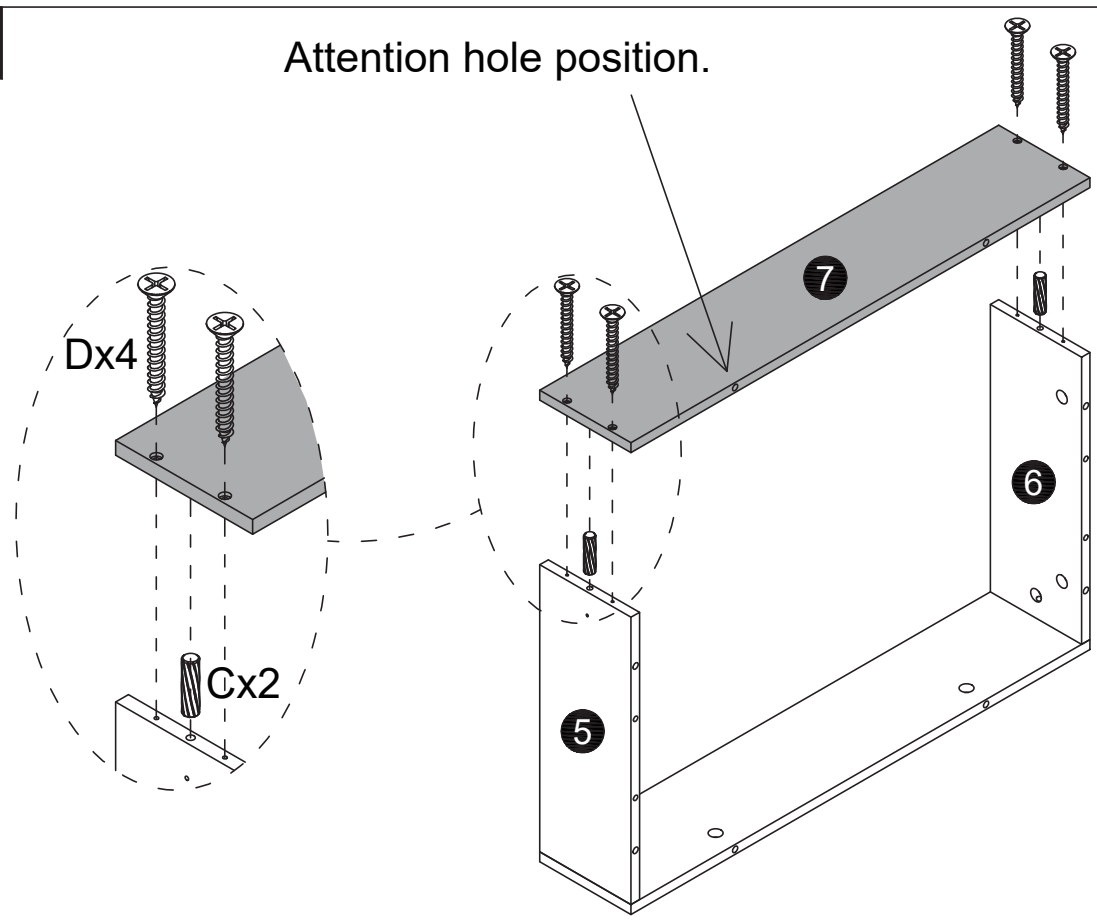


Attention hole position.

B	x2
C	x4

13

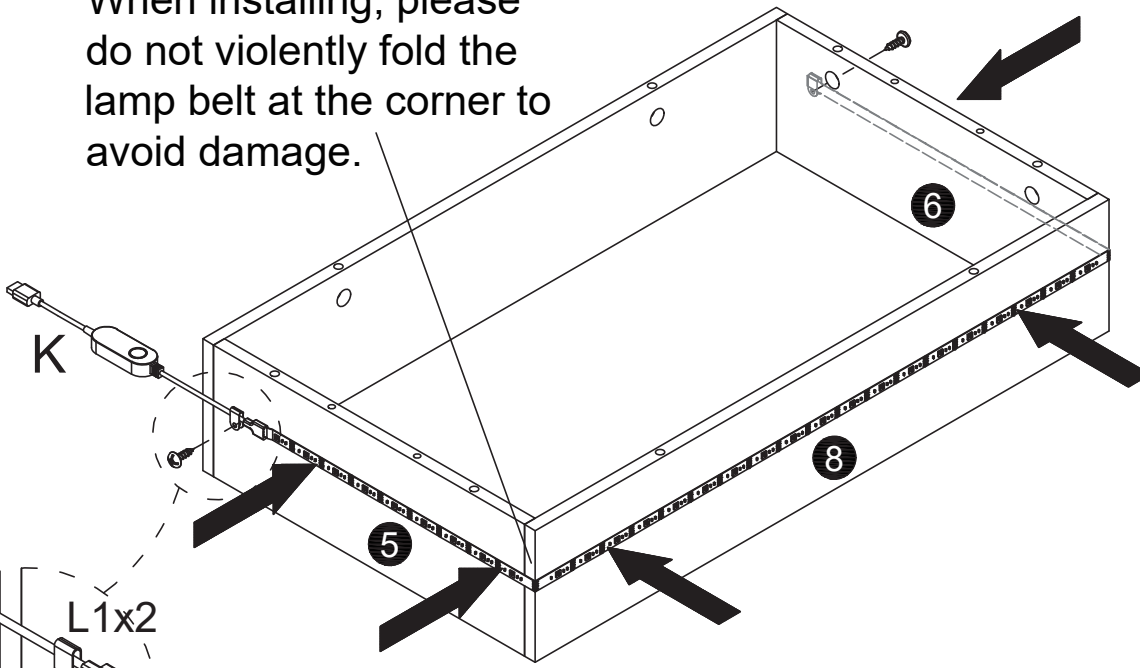
Attention hole position.



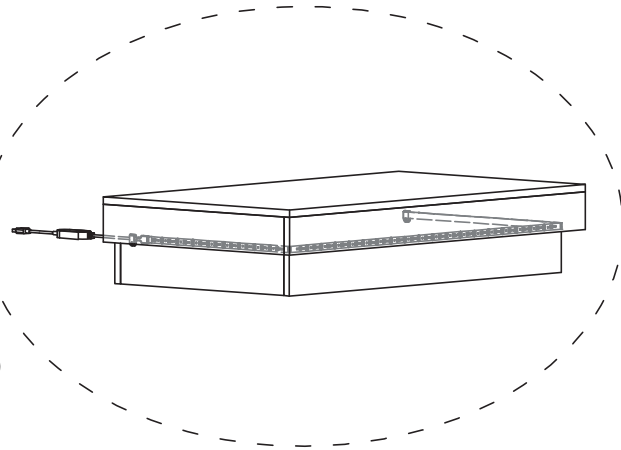
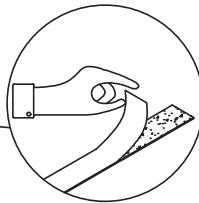
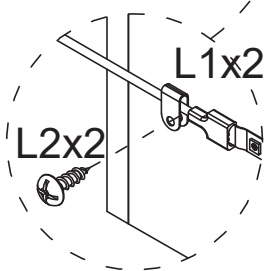
C	x2
D	x4

14

When installing, please do not violently fold the lamp belt at the corner to avoid damage.

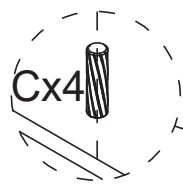
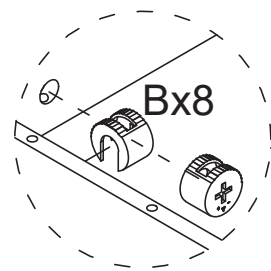
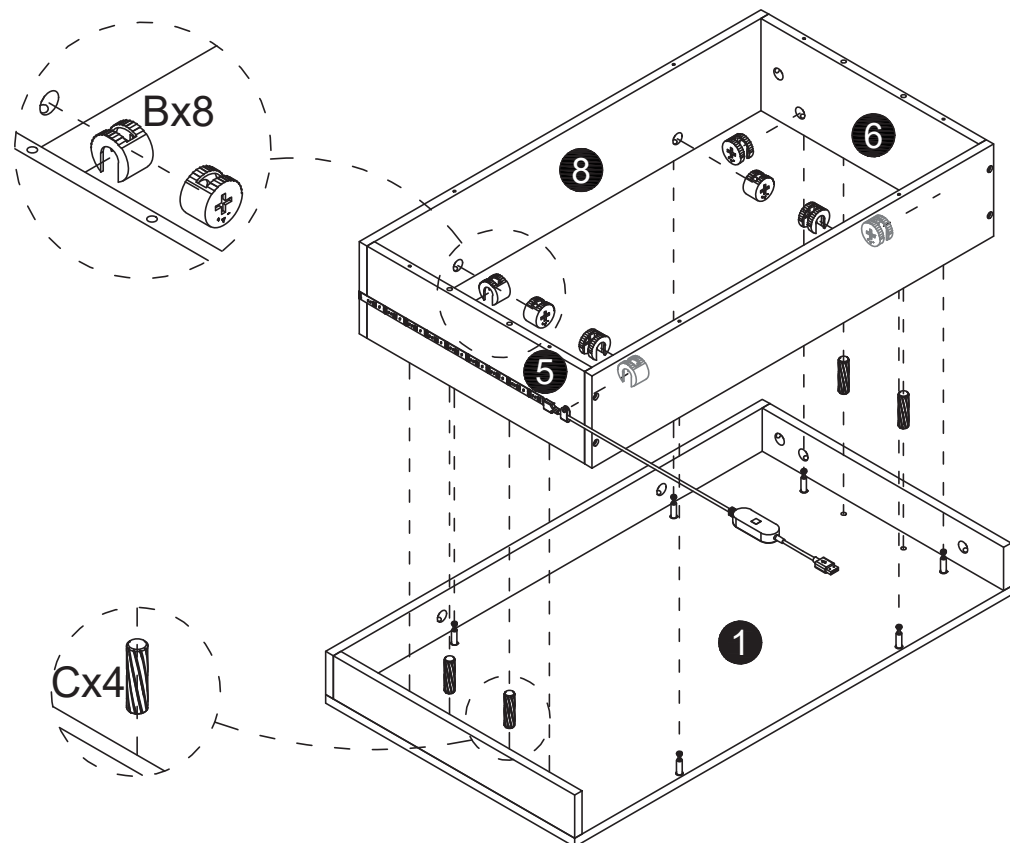


K	x1
L	x2
L1	L2





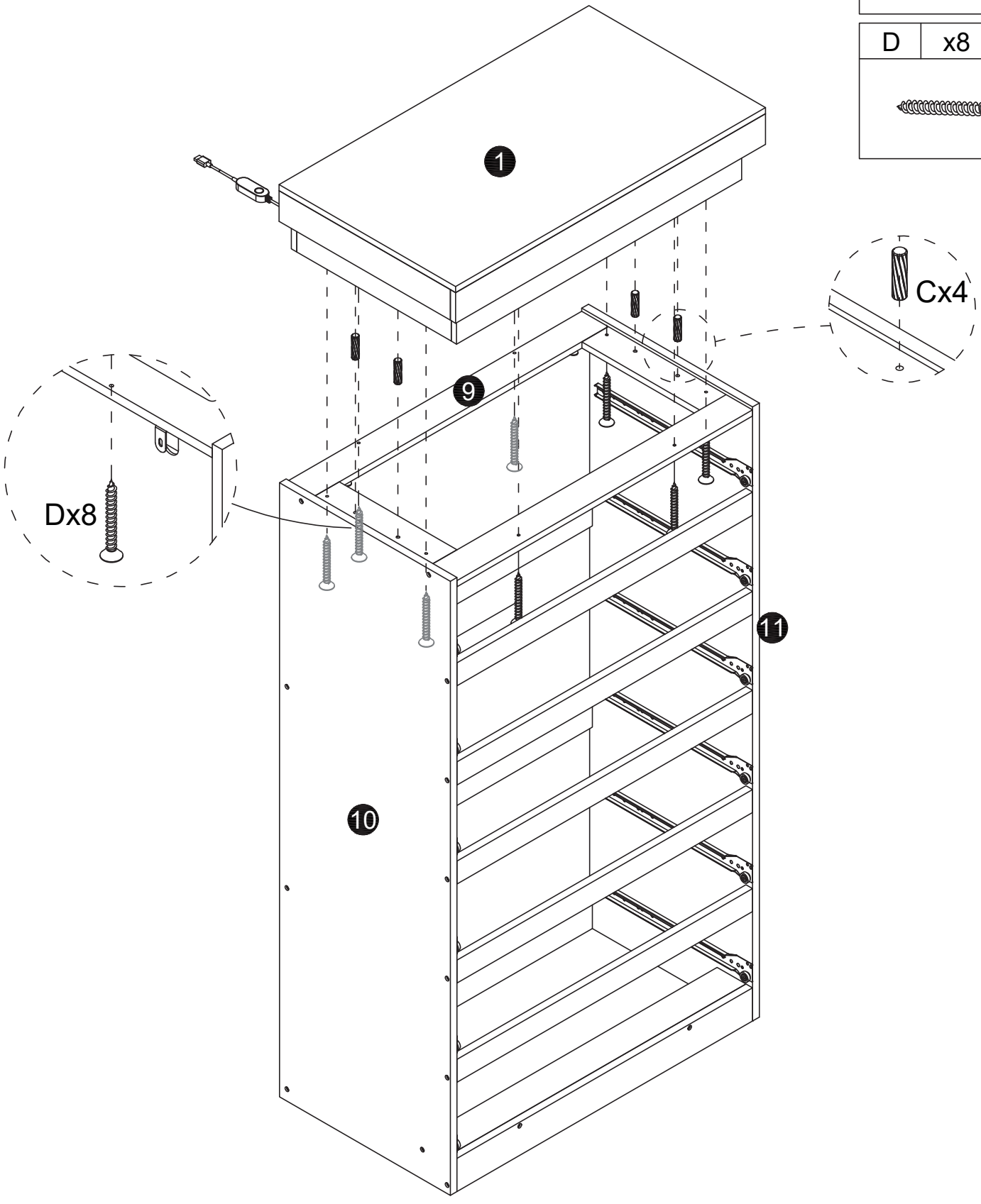
Please plan and mark the position before attaching the lamp strip, and then remove the glue protective film on the back of the lamp strip for adhesion. In order to achieve the final effect, the lamp strip is covered by the edge of the lid.

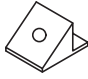

15

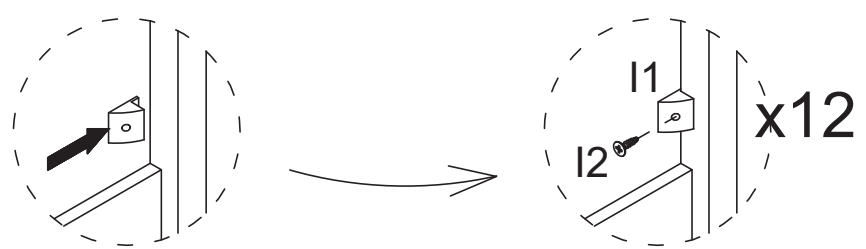
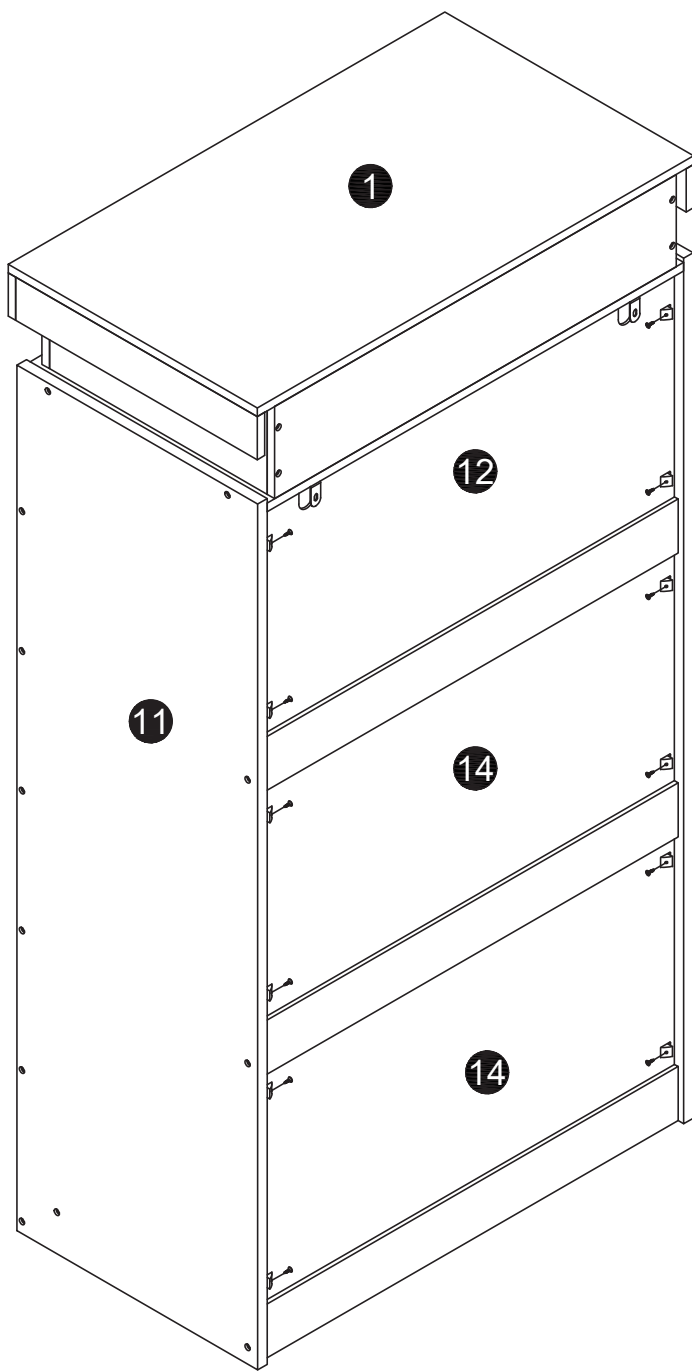




B	x8
C	x4

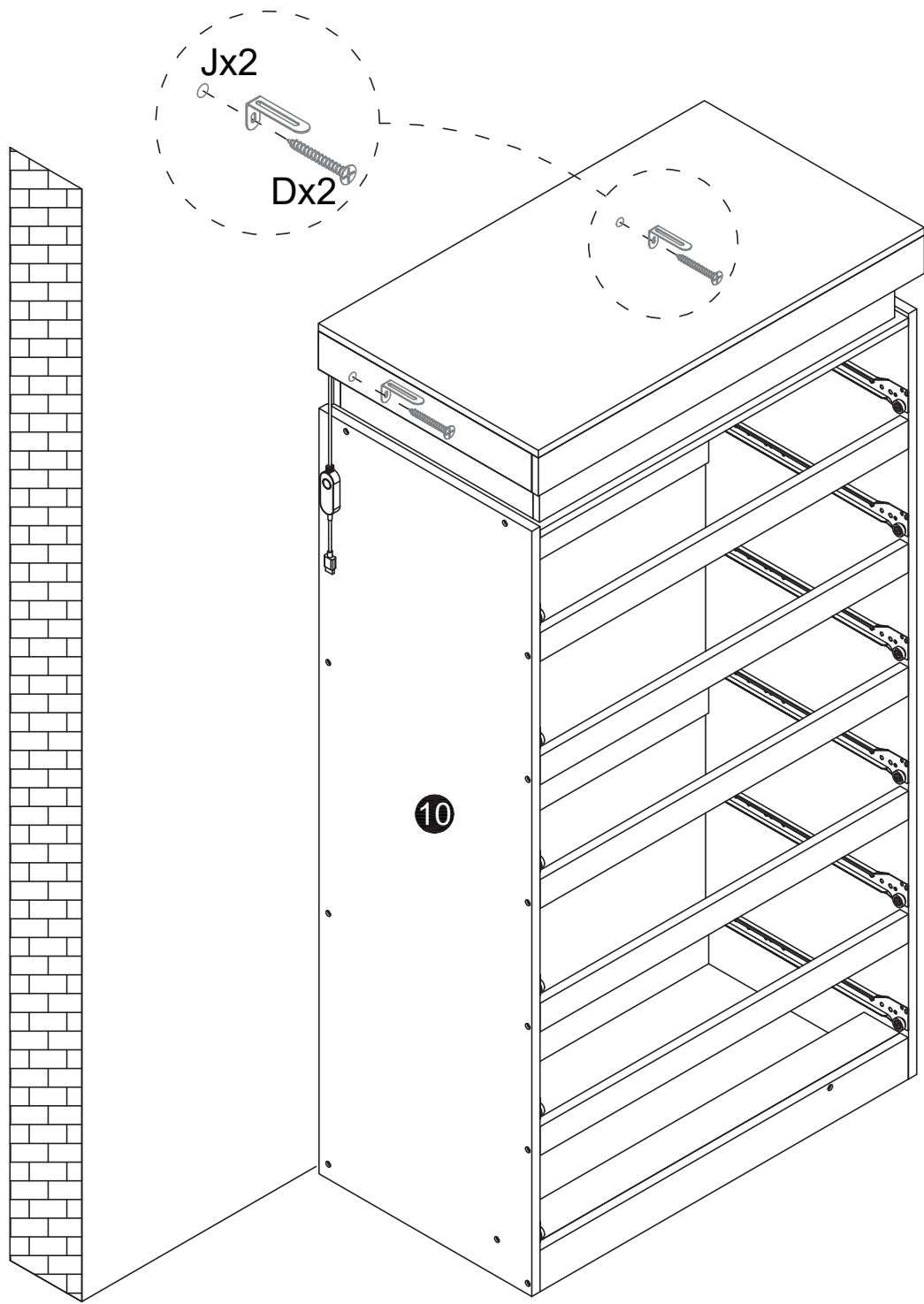
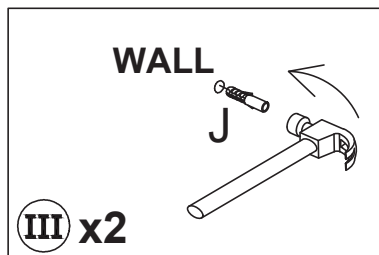
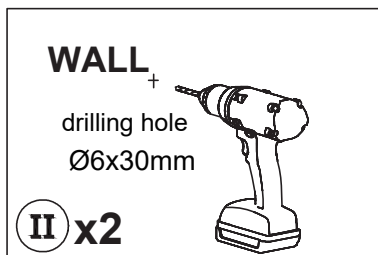
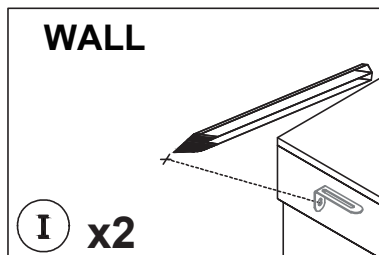
C	x4
	
D	x8
	



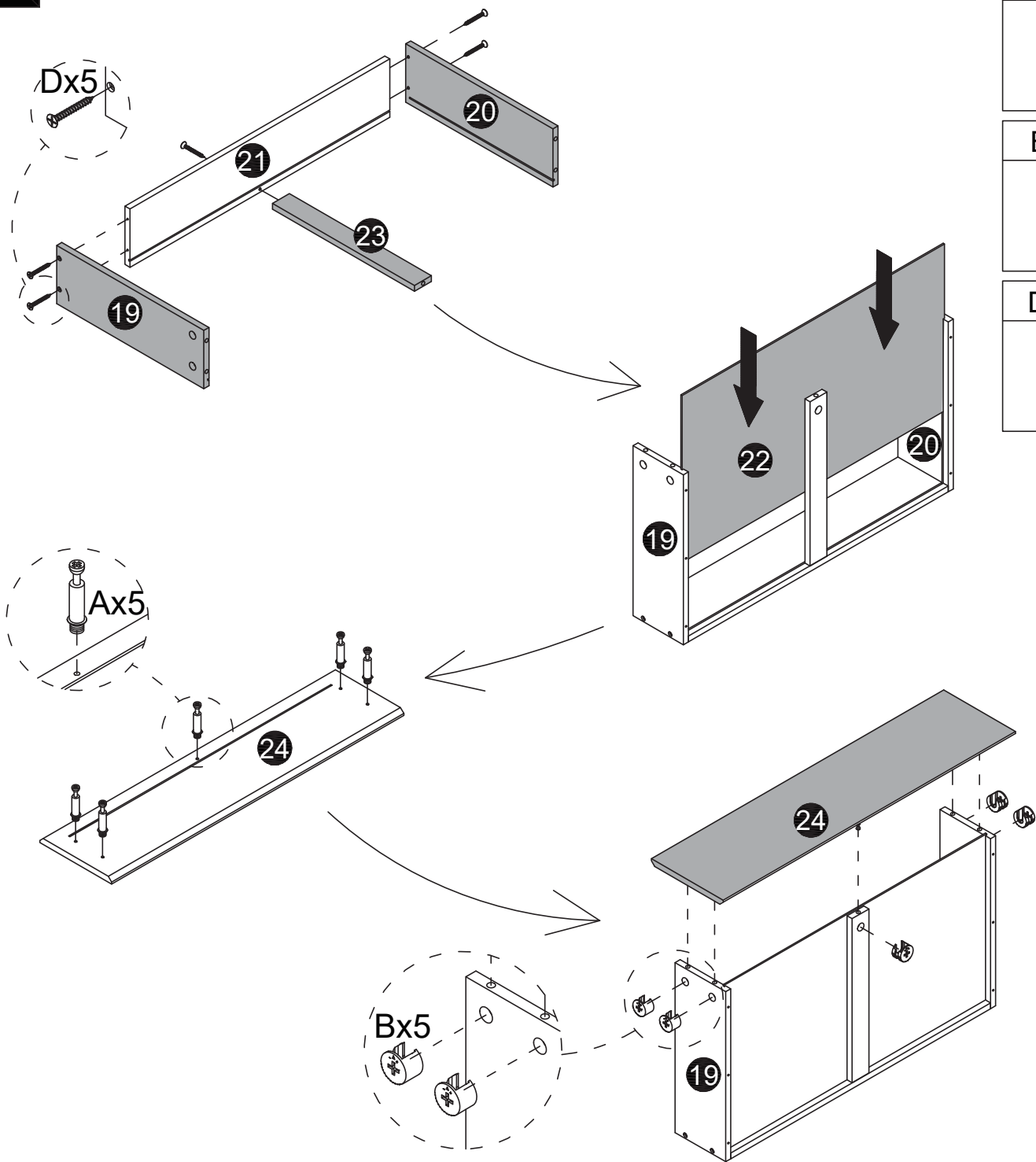
I	x12
I1	I2
	



D	x2
	
J	x2
	



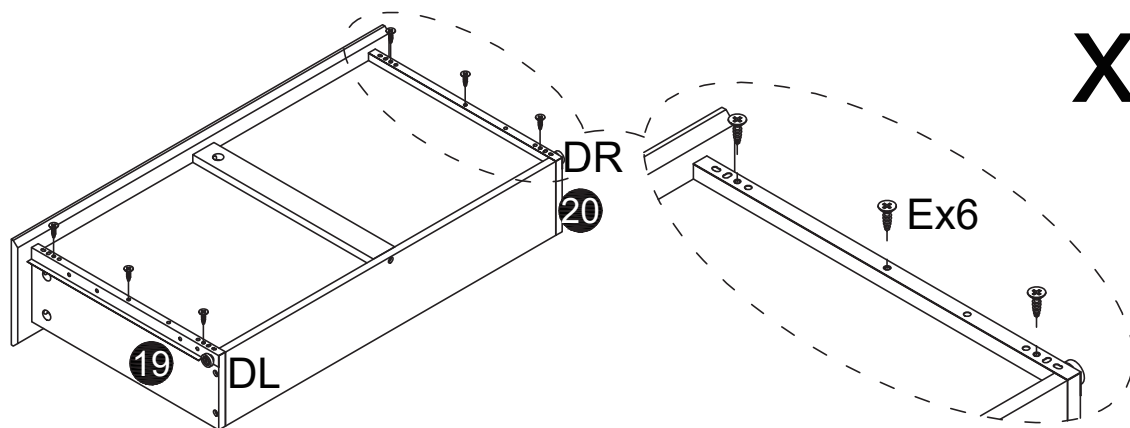
19



A	x30
B	x30
D	x30

x6

20



x6

E	x36
DL	x6
DR	x6

