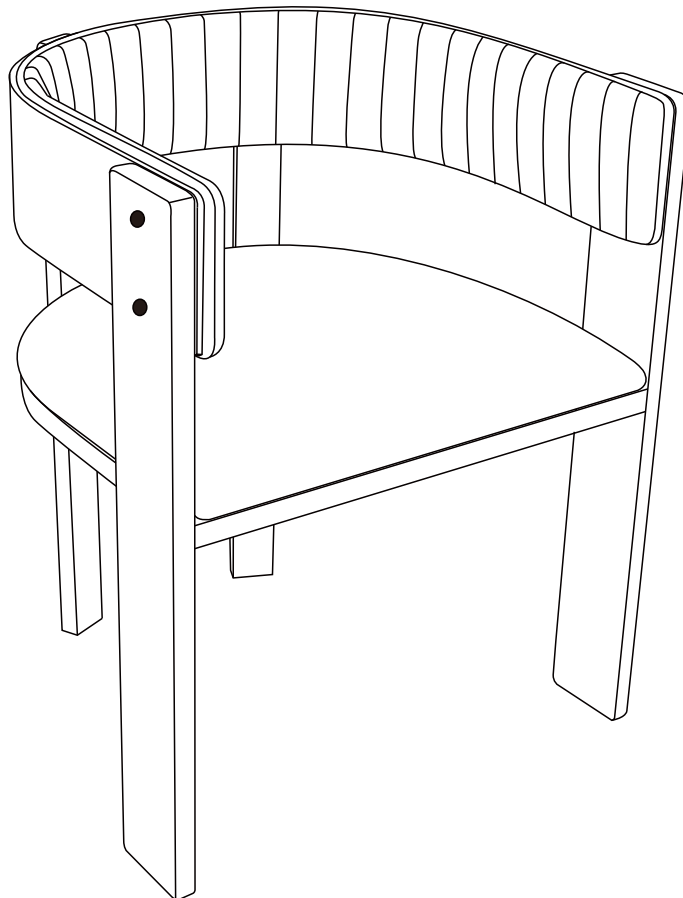
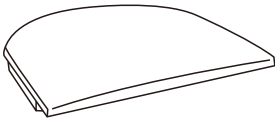
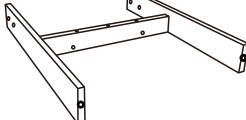
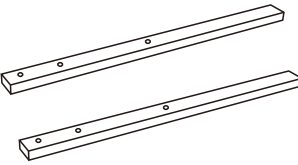
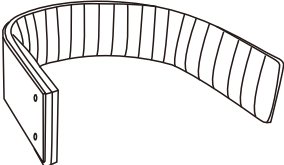


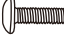



ASSEMBLY INSTRUCTION

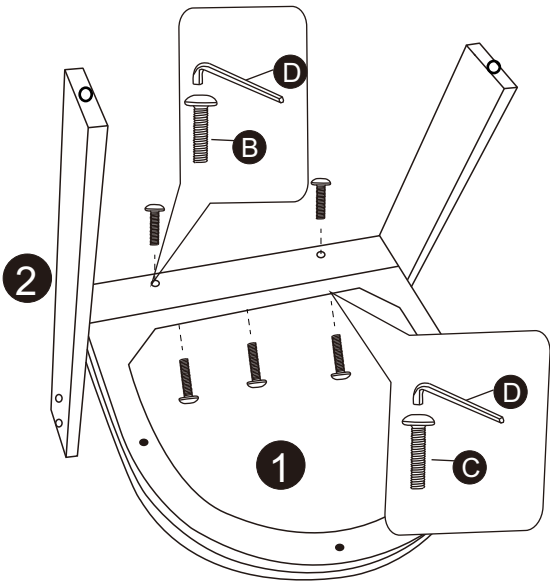
<<Before assembling, read all the instruction>>



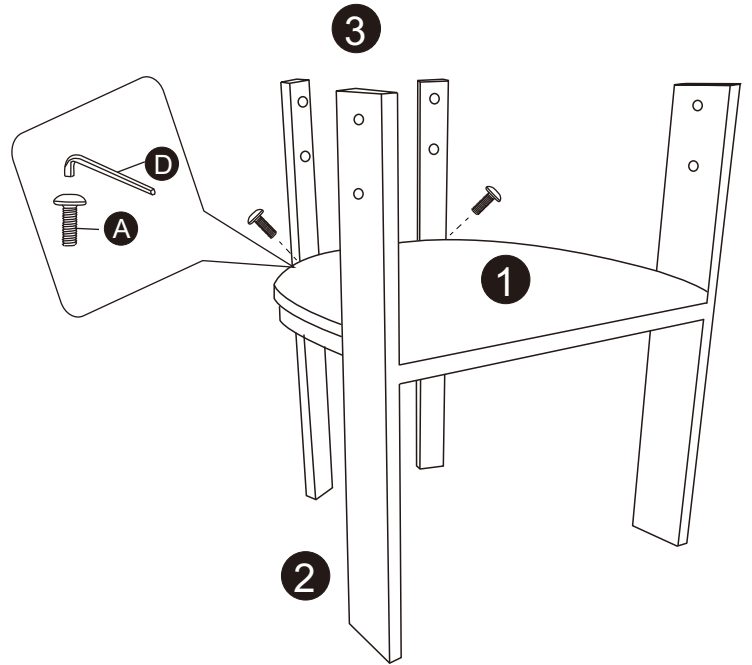
Customer Service: contactus24service@gmail.com
Phone: (951)213-4742

 1 seat x1	 2 front leg x1	 3 rear legs x1	 4 the back of a chair x1	
M6x30MM  A Bolts x10	M6x35MM  B Bolts x2	M6x40MM  C Bolts x3	Ø6  D Allen Key x1	

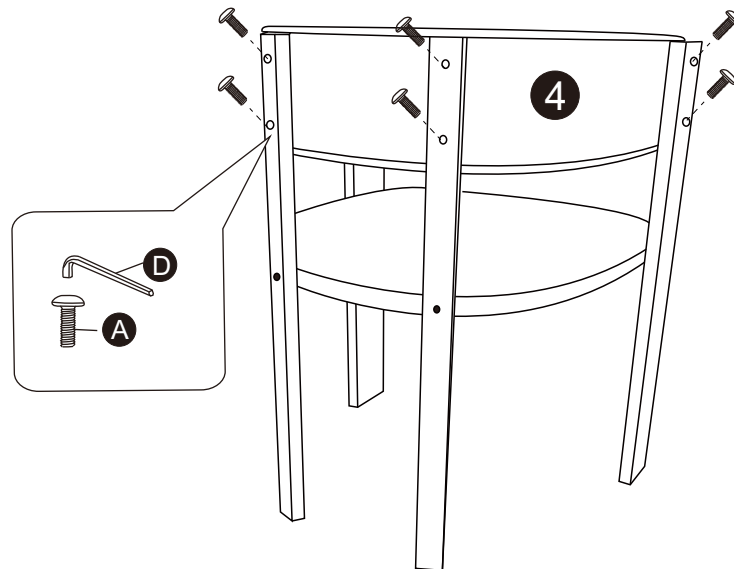
1



2



3



Note: Put all the screws into the hole site, And then tighten them. Do not tighten one by one