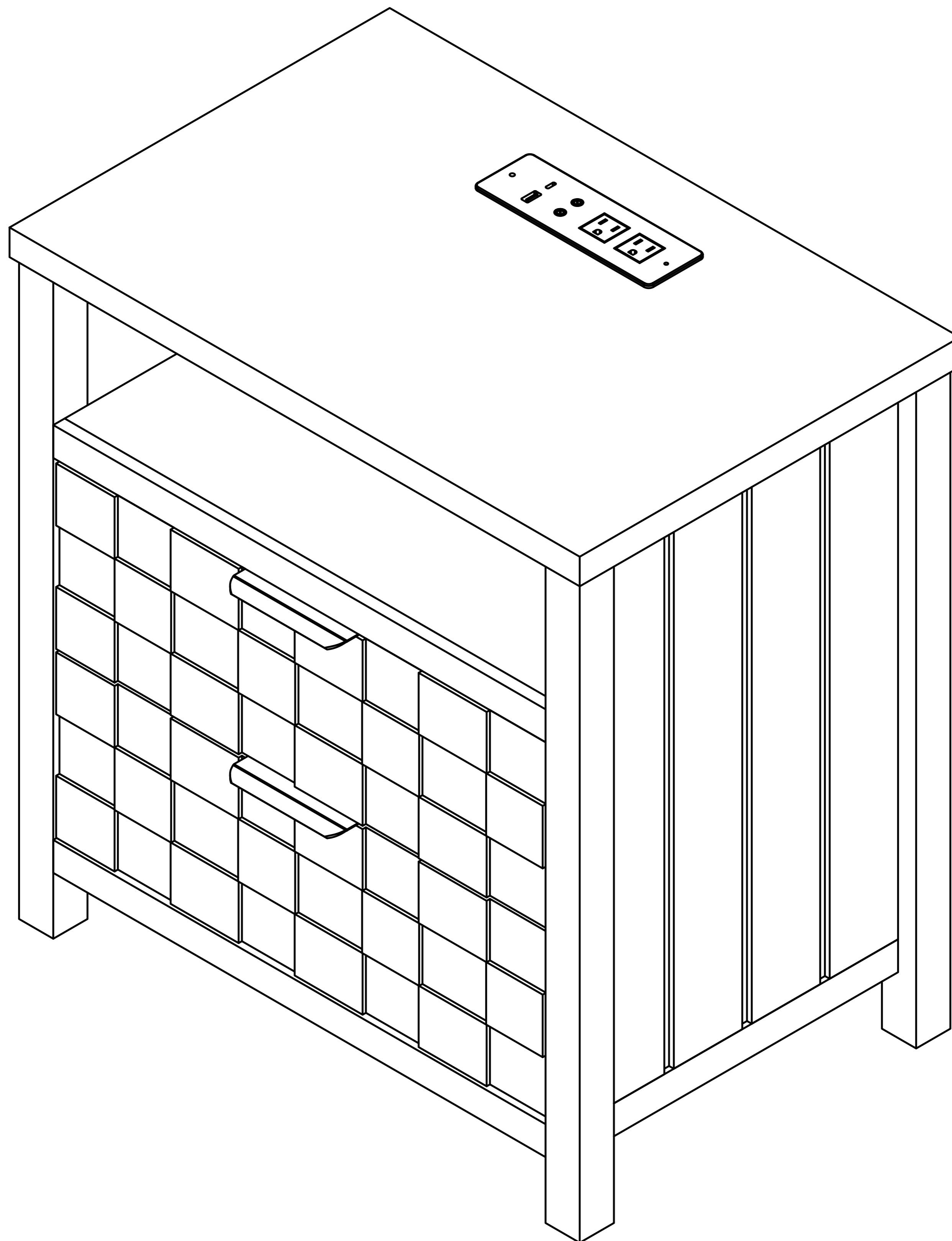
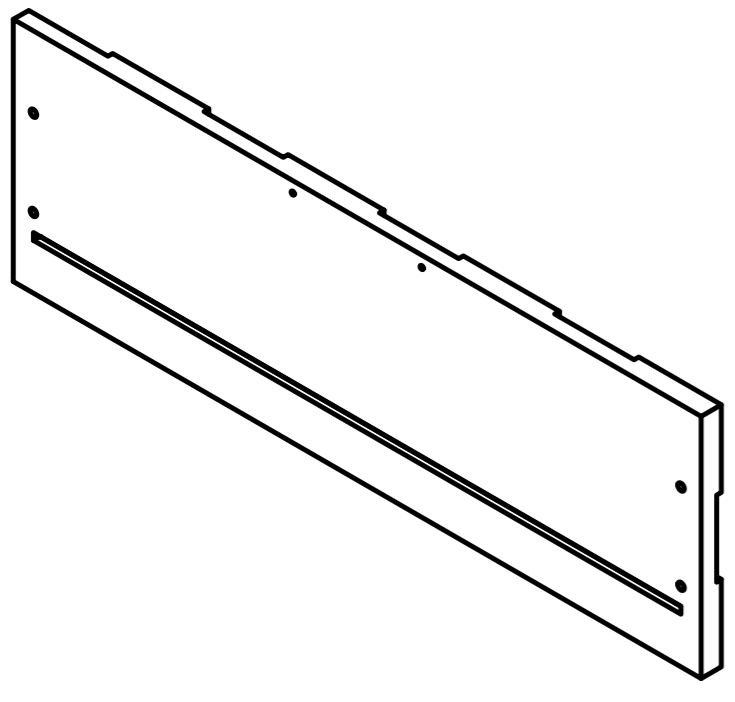
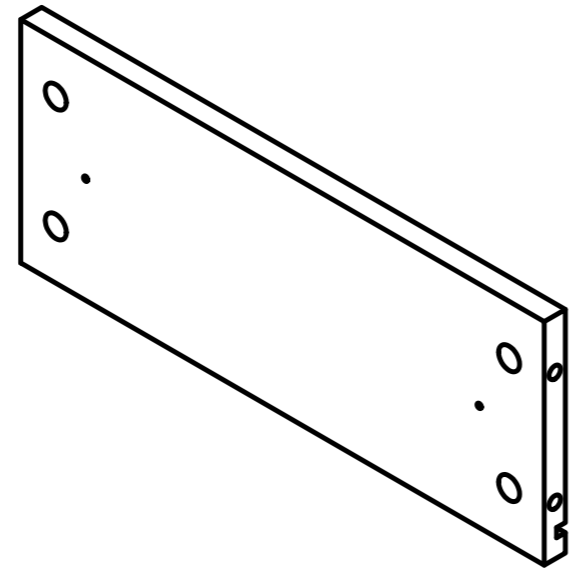


Product Installation Instructions

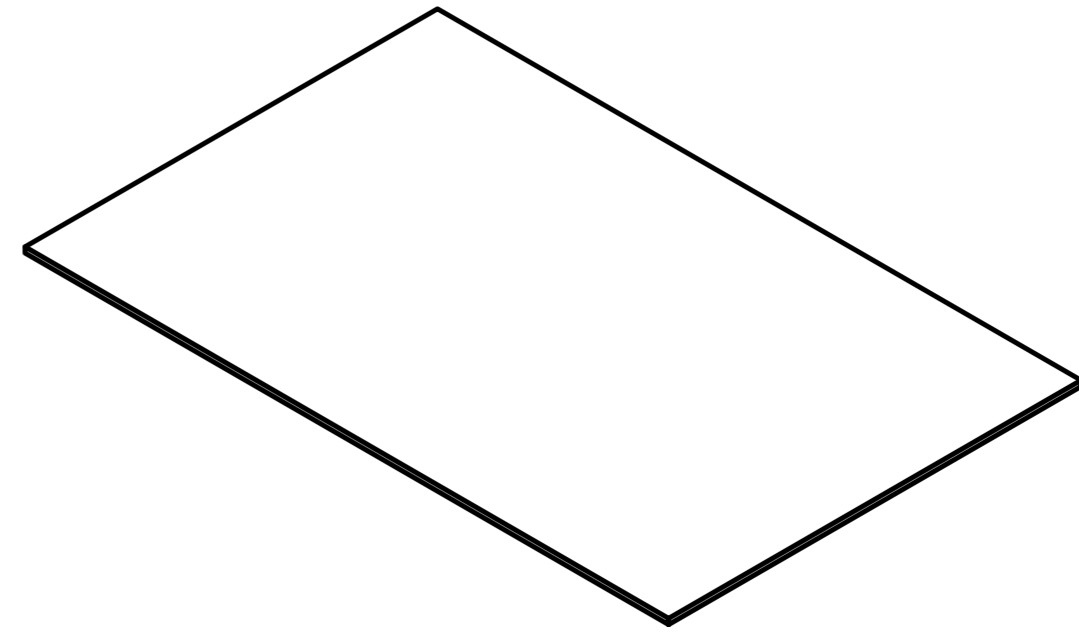




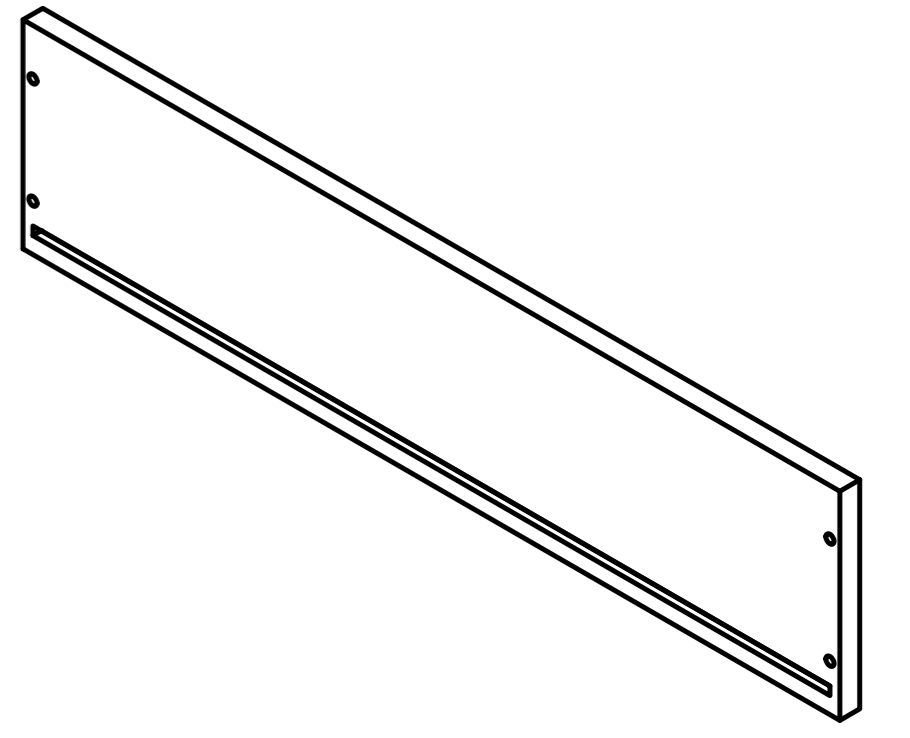
Ax2



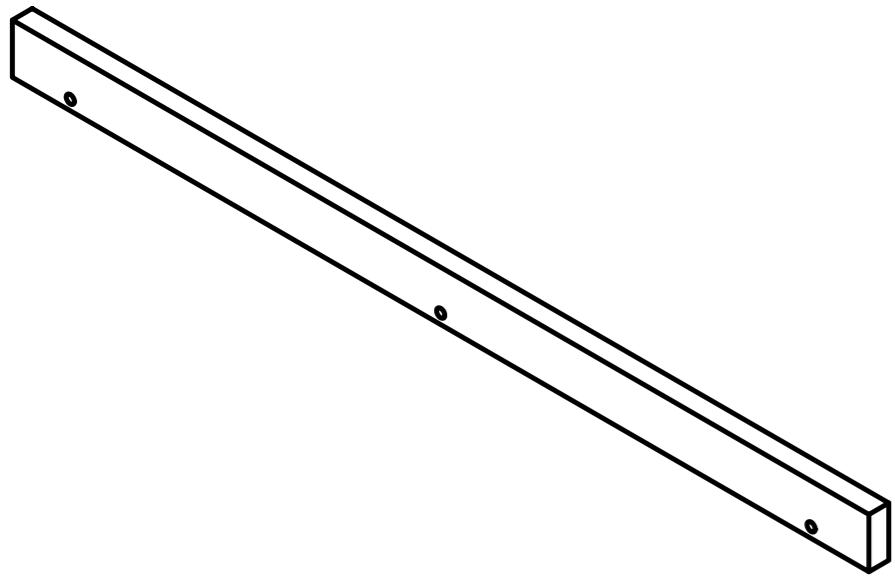
Bx4



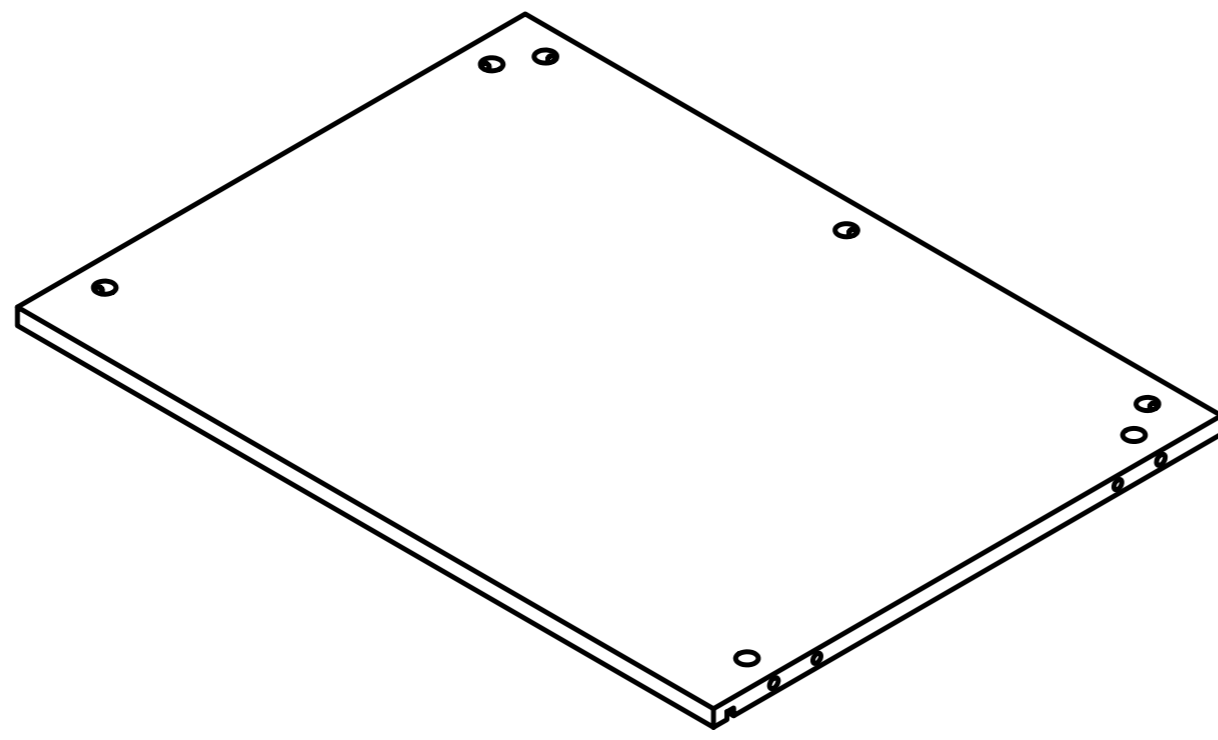
Cx2



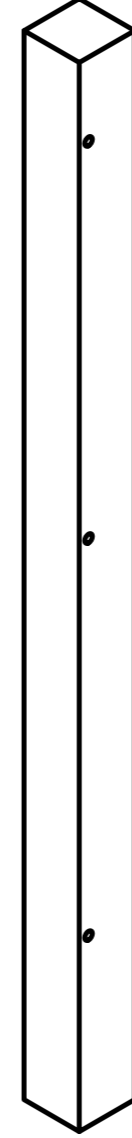
Dx2



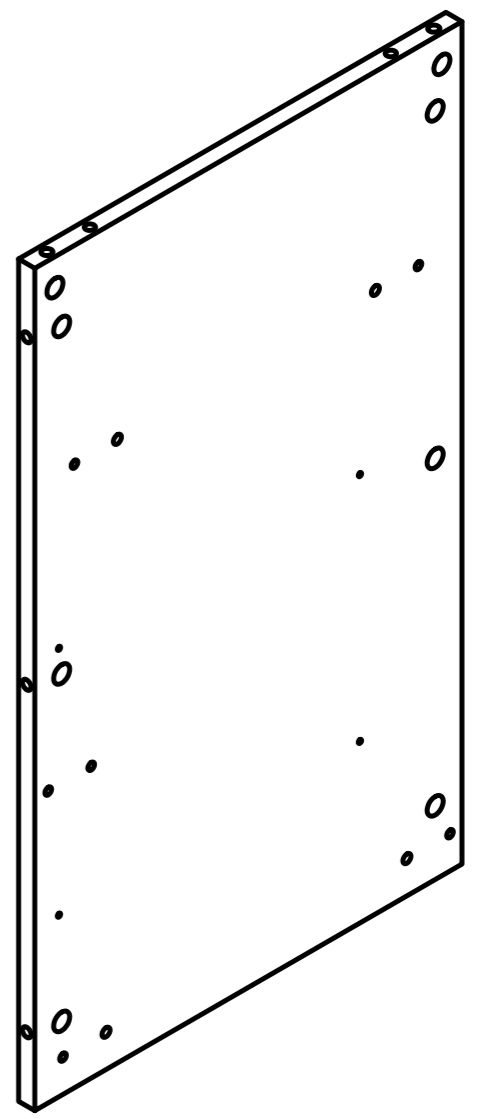
Ex2



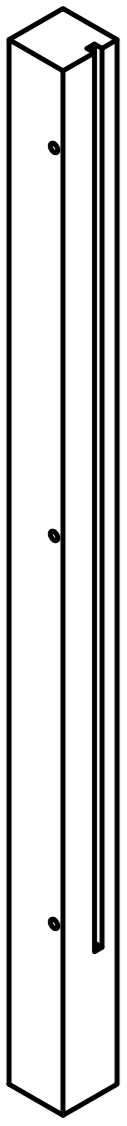
Fx1



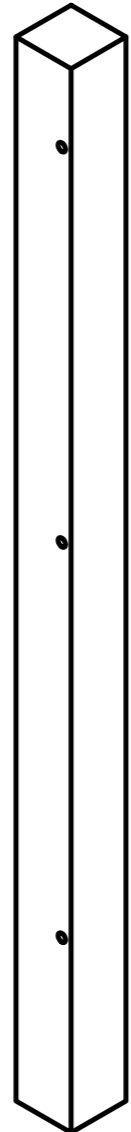
Gx1



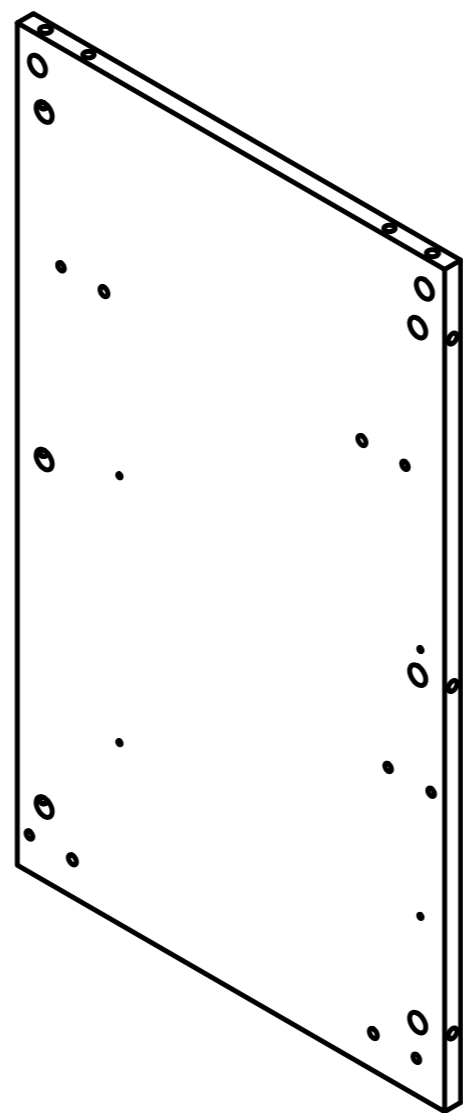
Hx1



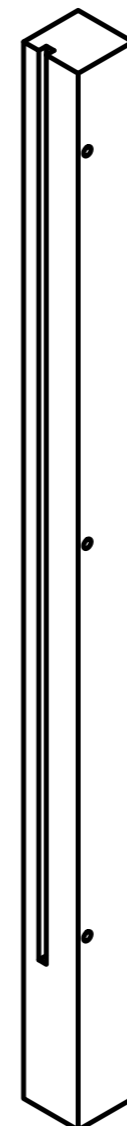
Ix1



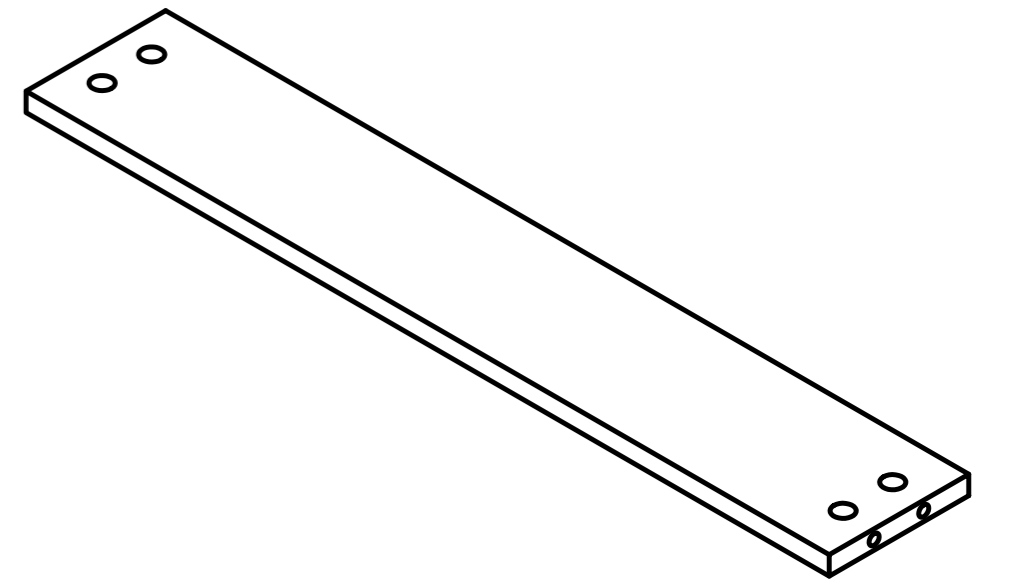
Jx1



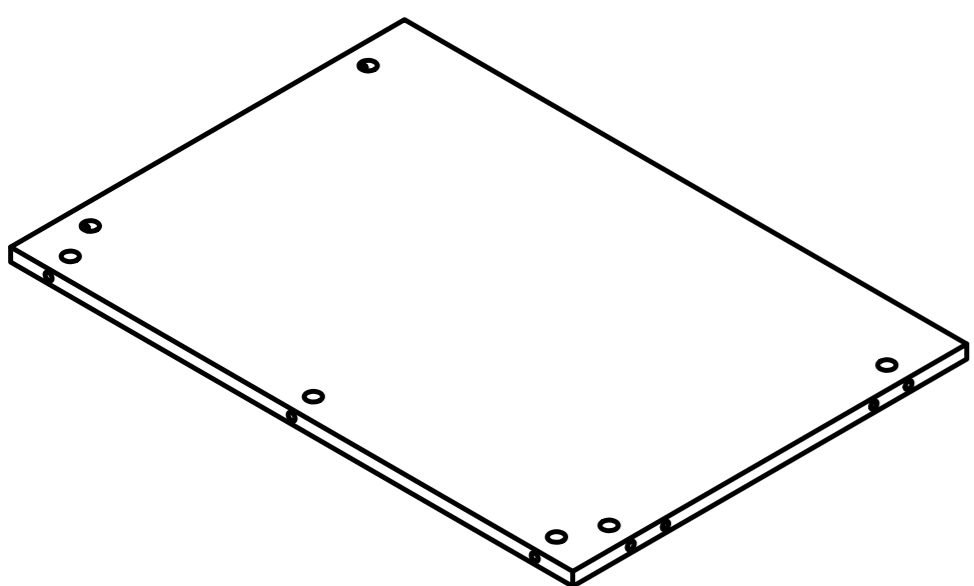
Kx1



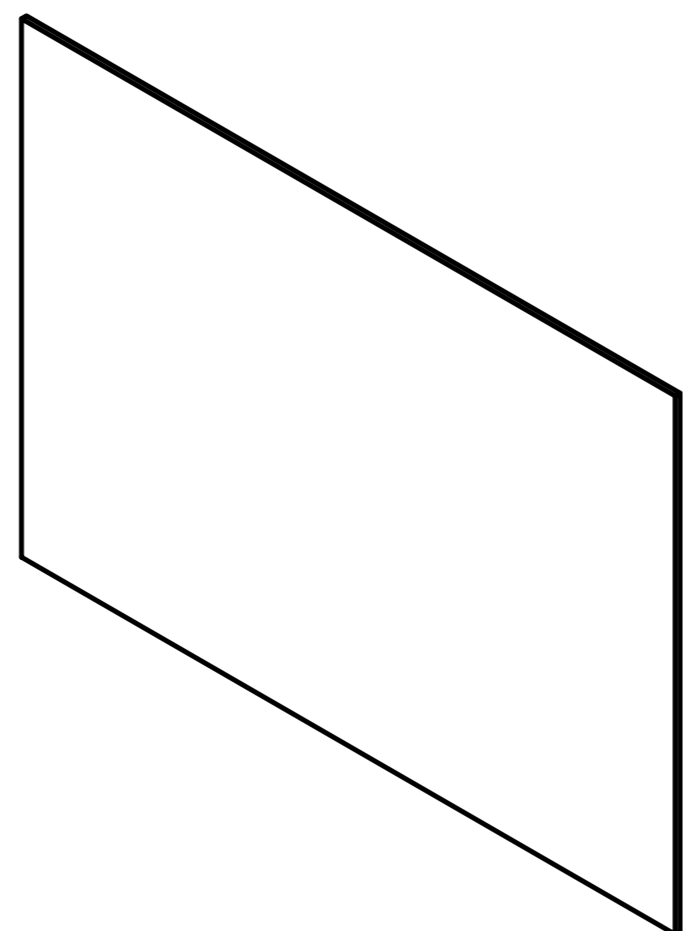
Lx1



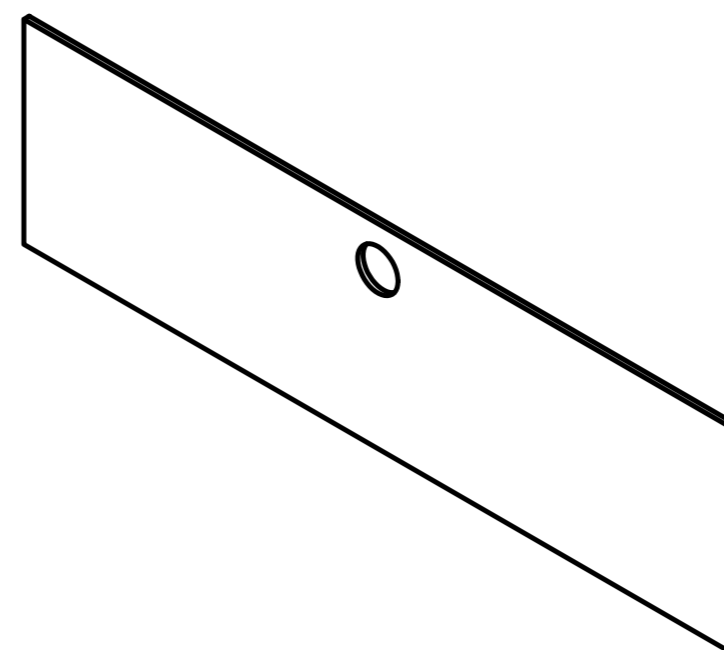
Mx1



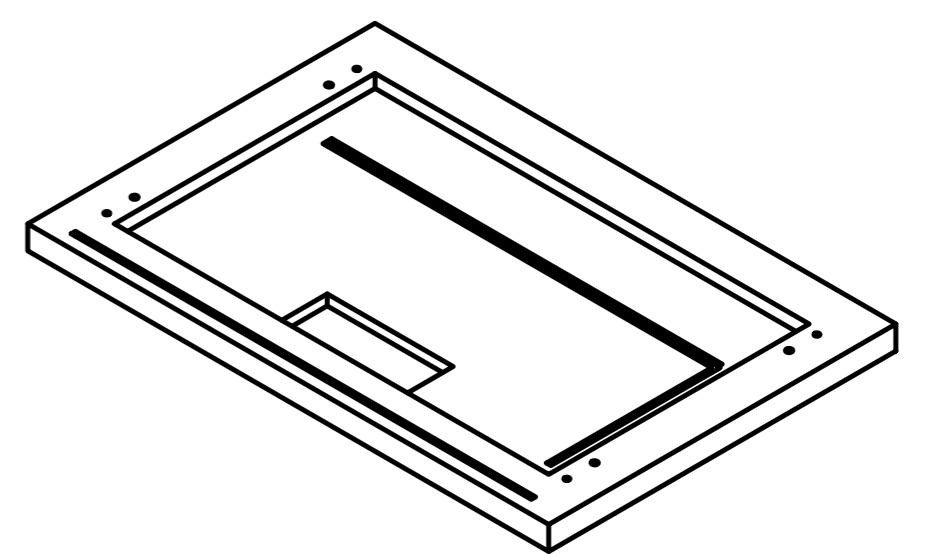
Nx1



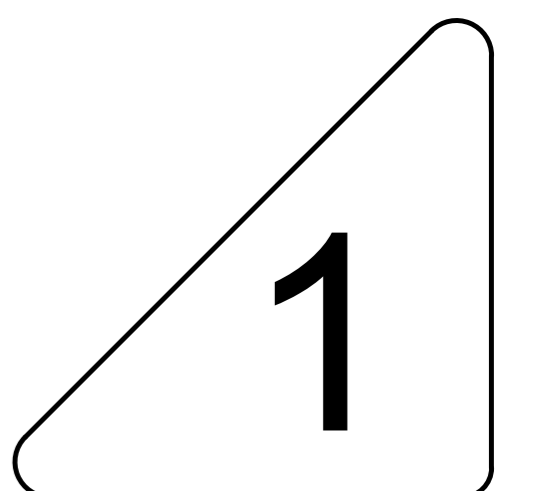
Ox1



Px1

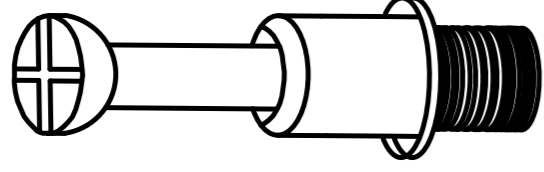
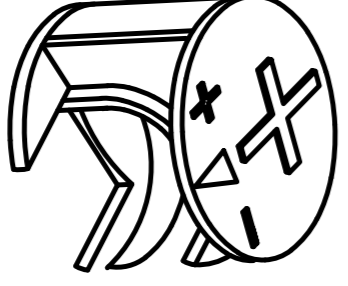
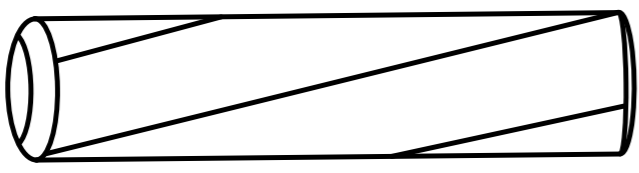
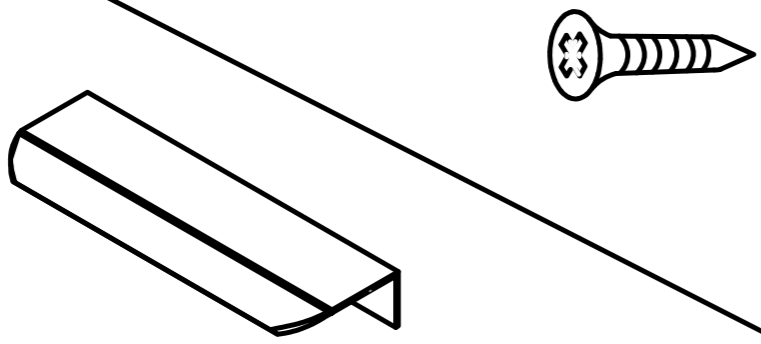
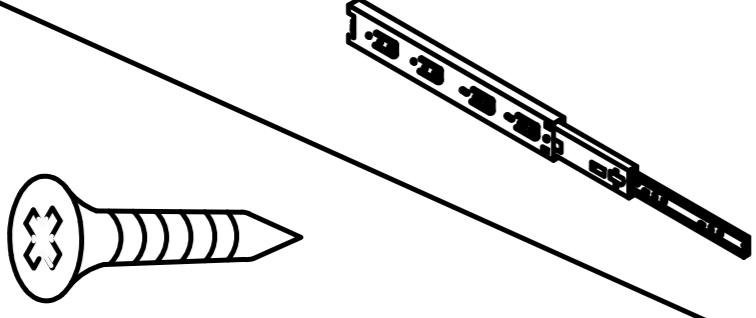

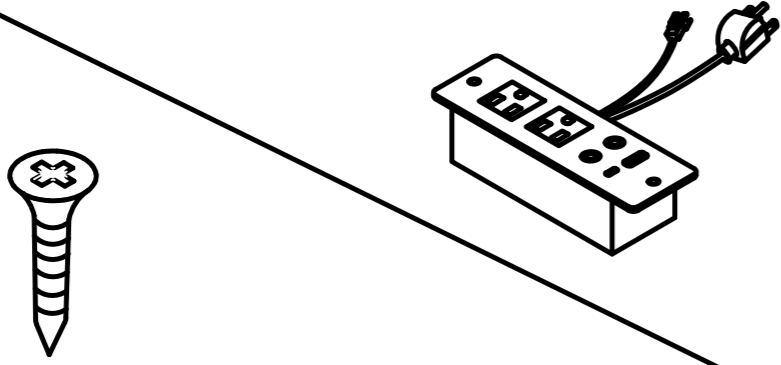
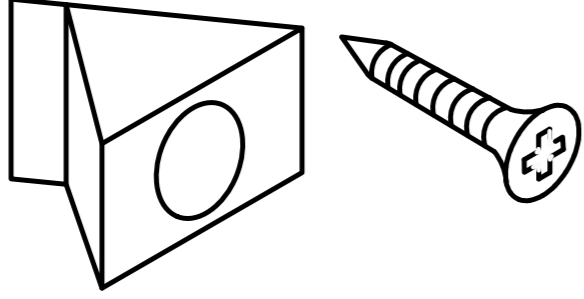


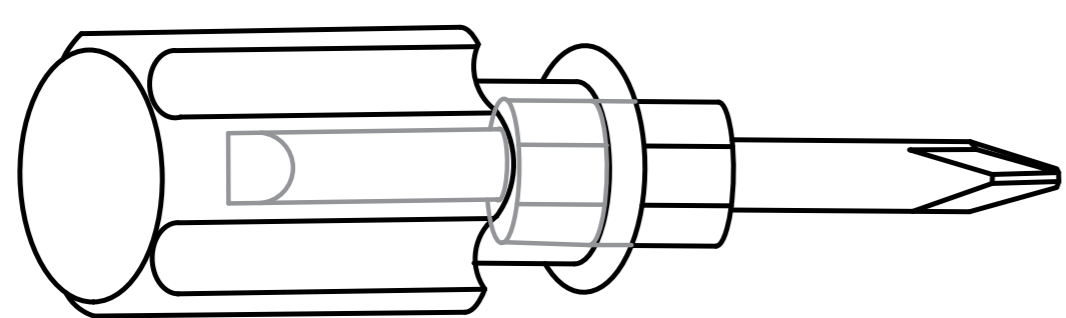
Qx1



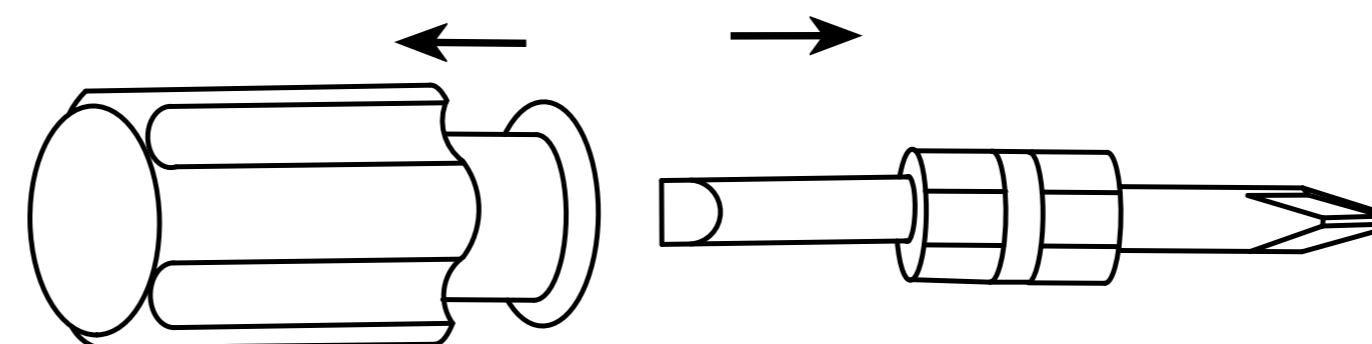
1

Accessories list

①		Two In One Screw (6x28mm)	50pcs +5pcs
②		Two In One Nut (10x12mm)	50pcs +5pcs
③		Wood Chipping (6x30mm)	12pcs +2pcs
④		Handle & Screw (3x12mm)	4pcs +2pcs 2pcs
⑤		Screw & Guide (12 inch) (3x12mm)	4pcs 20pcs +2pcs
⑥		Non-slip pads (36x36x2mm)	4pcs +2pcs
⑦		Power Socket & Screw (3x10mm)	1pcs 2pcs +1pcs
⑧		Fixing Clip & Screw (3x16mm)	6pcs +2pcs

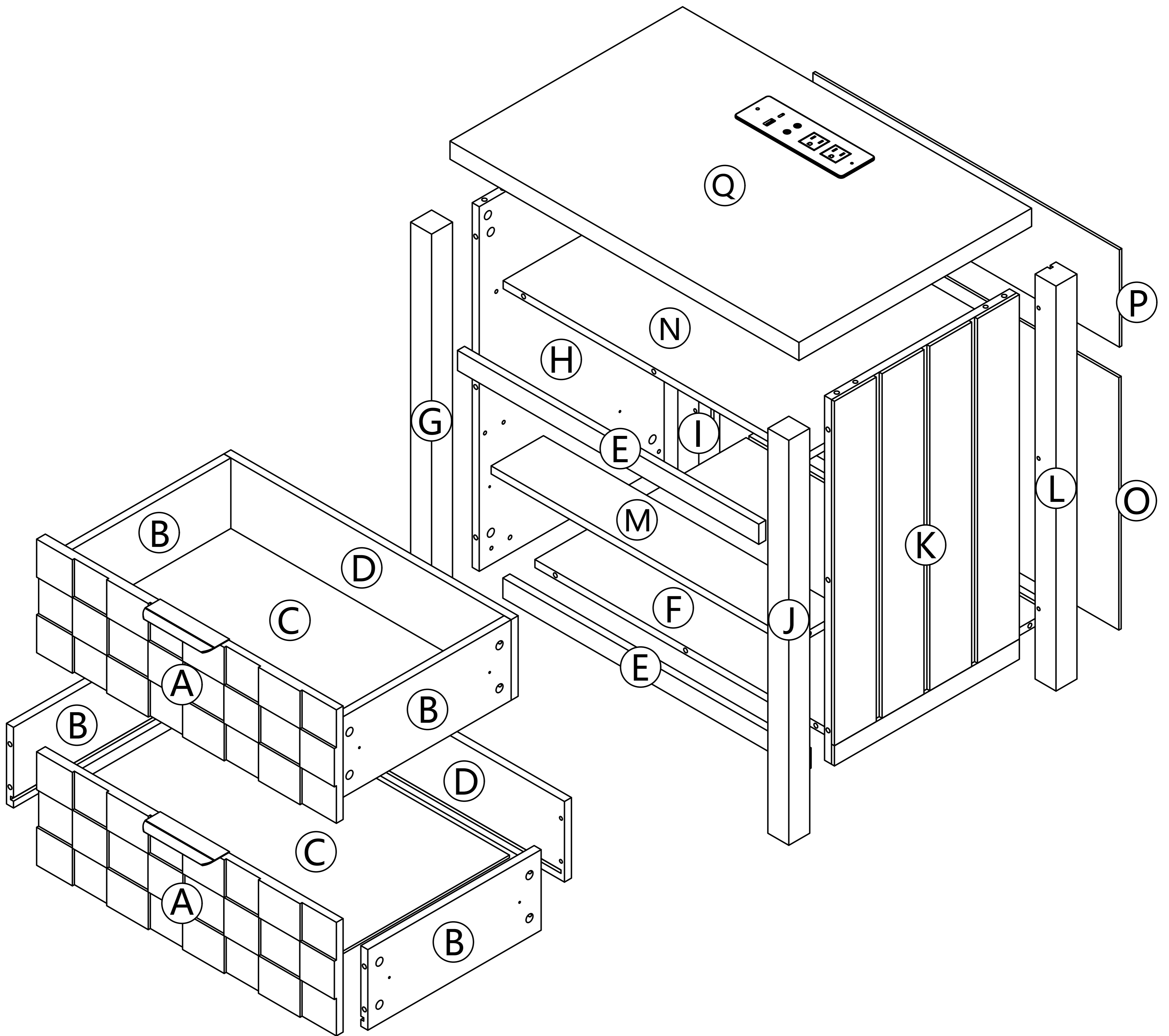


1pcs

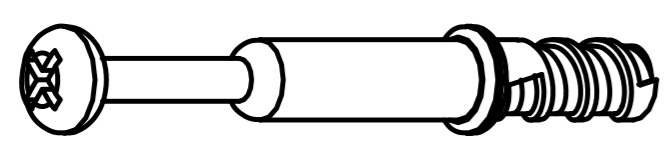


Double-head screwdriver, use as required

Product structure decomposition

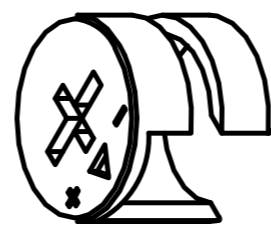


1



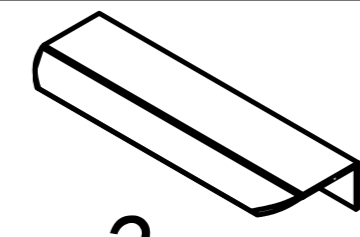
16pcs

2



16pcs

4

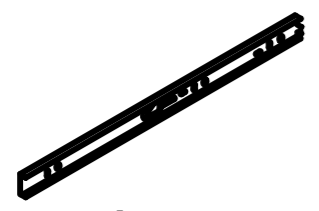


2pcs



4pcs

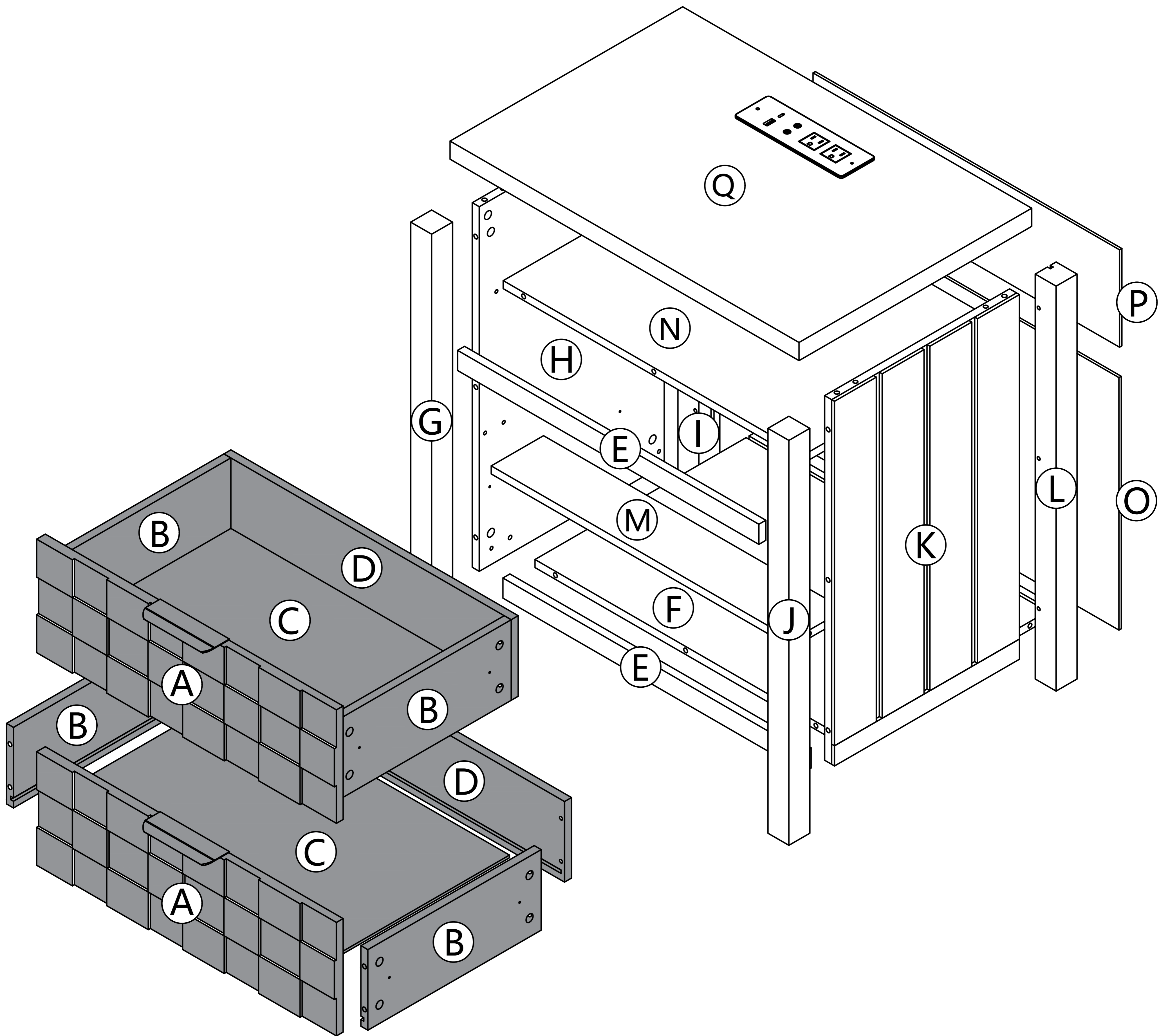
5



4pcs

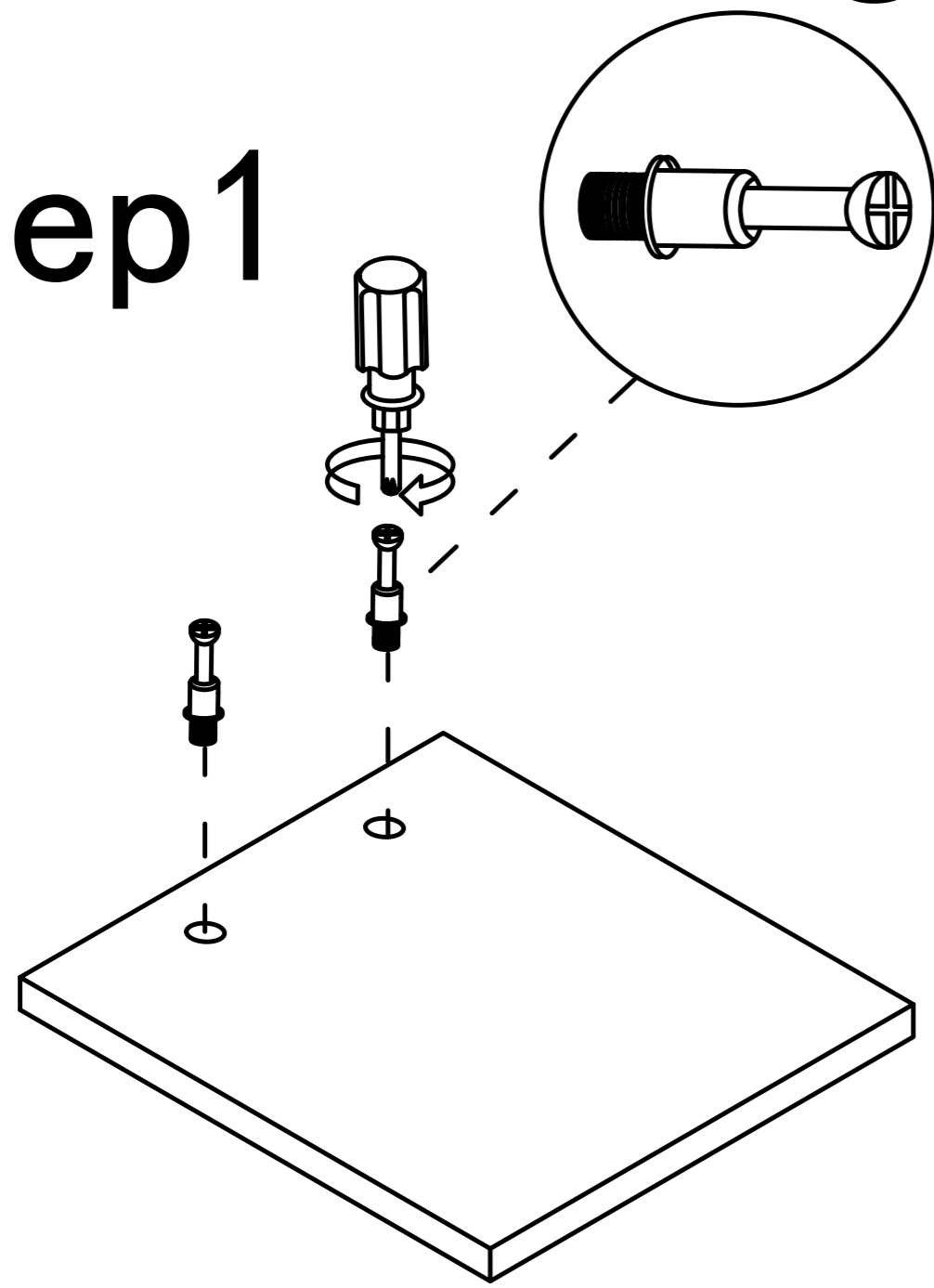


8pcs

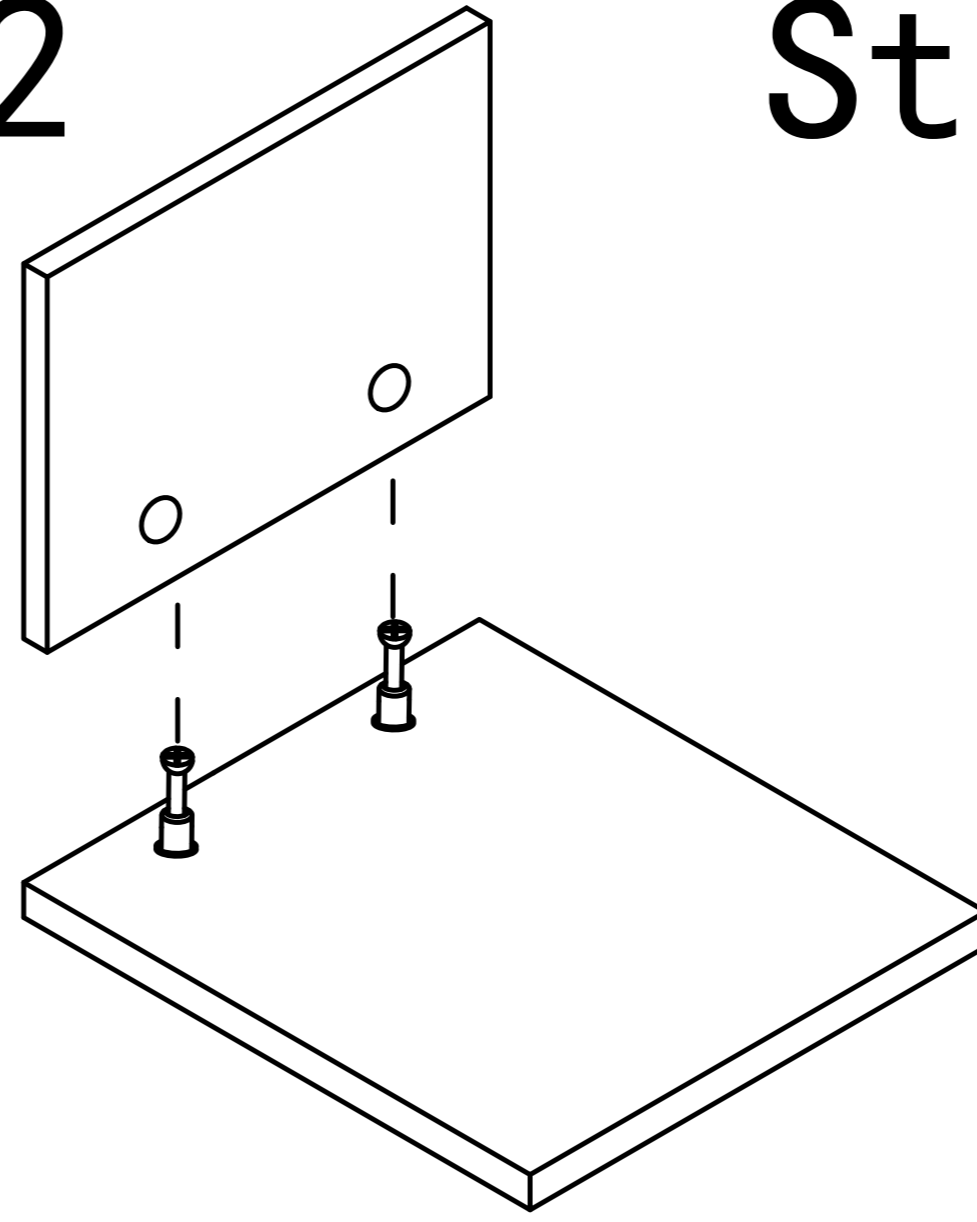


Use parts ① and ②

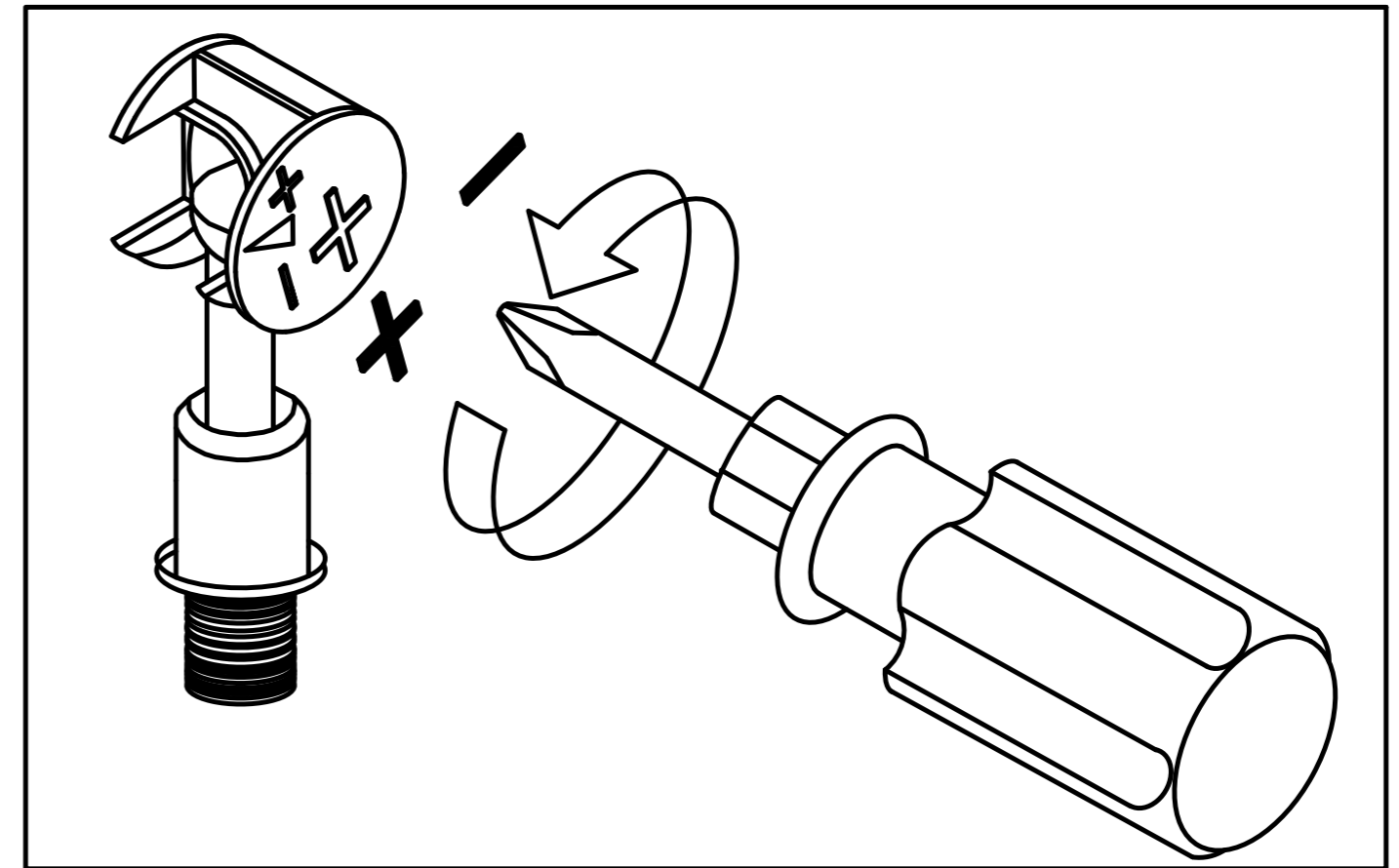
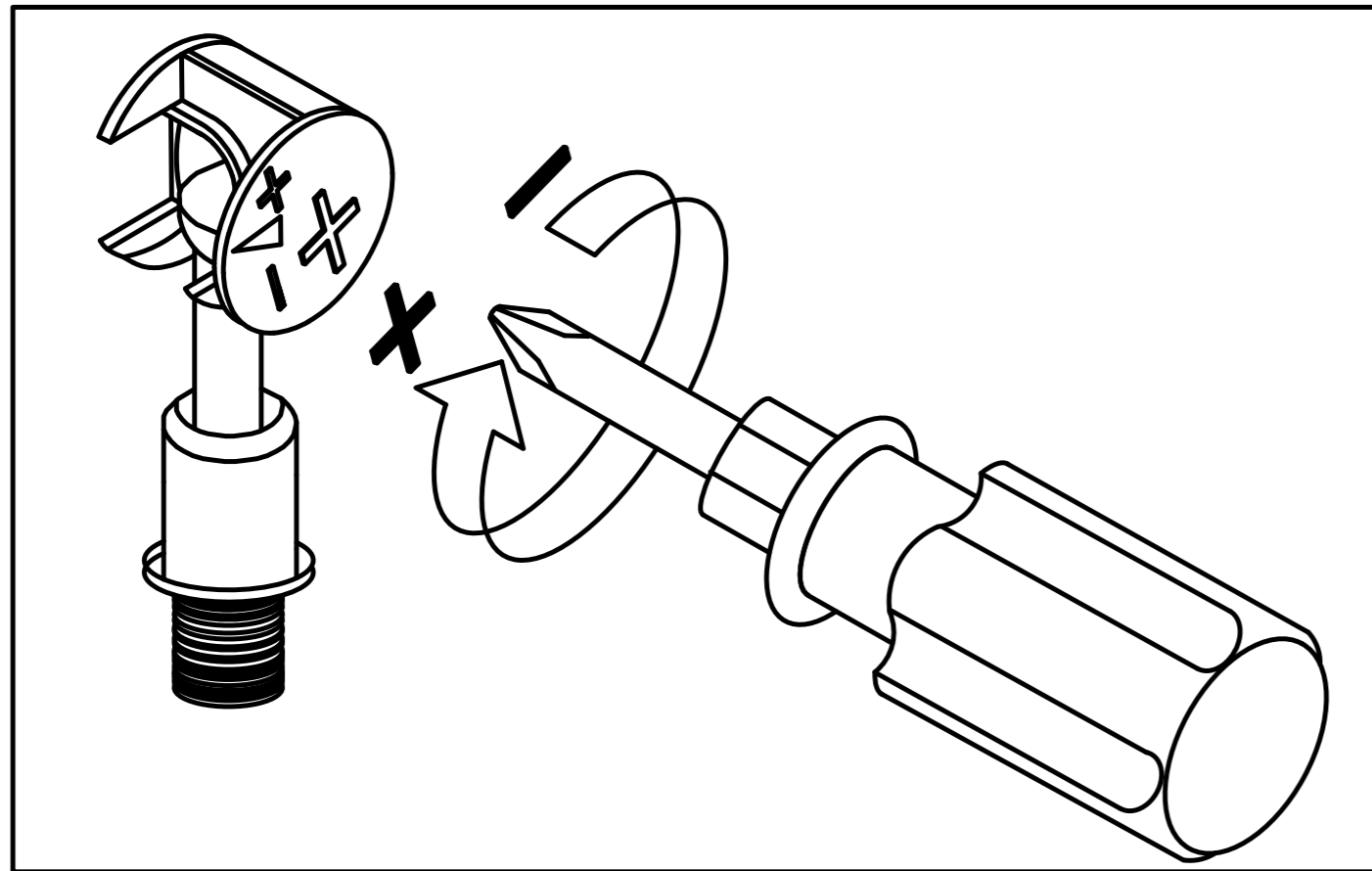
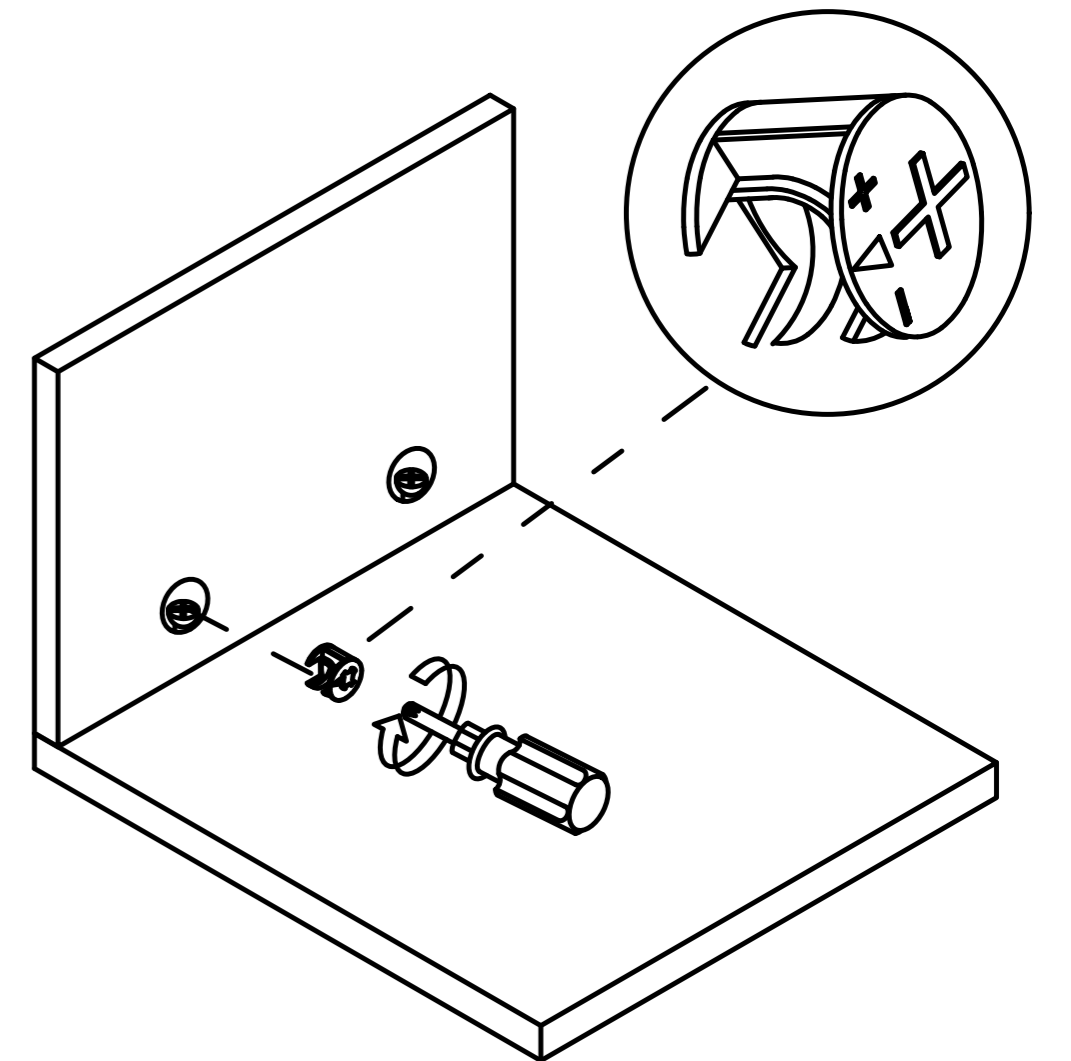
Step 1



Step 2



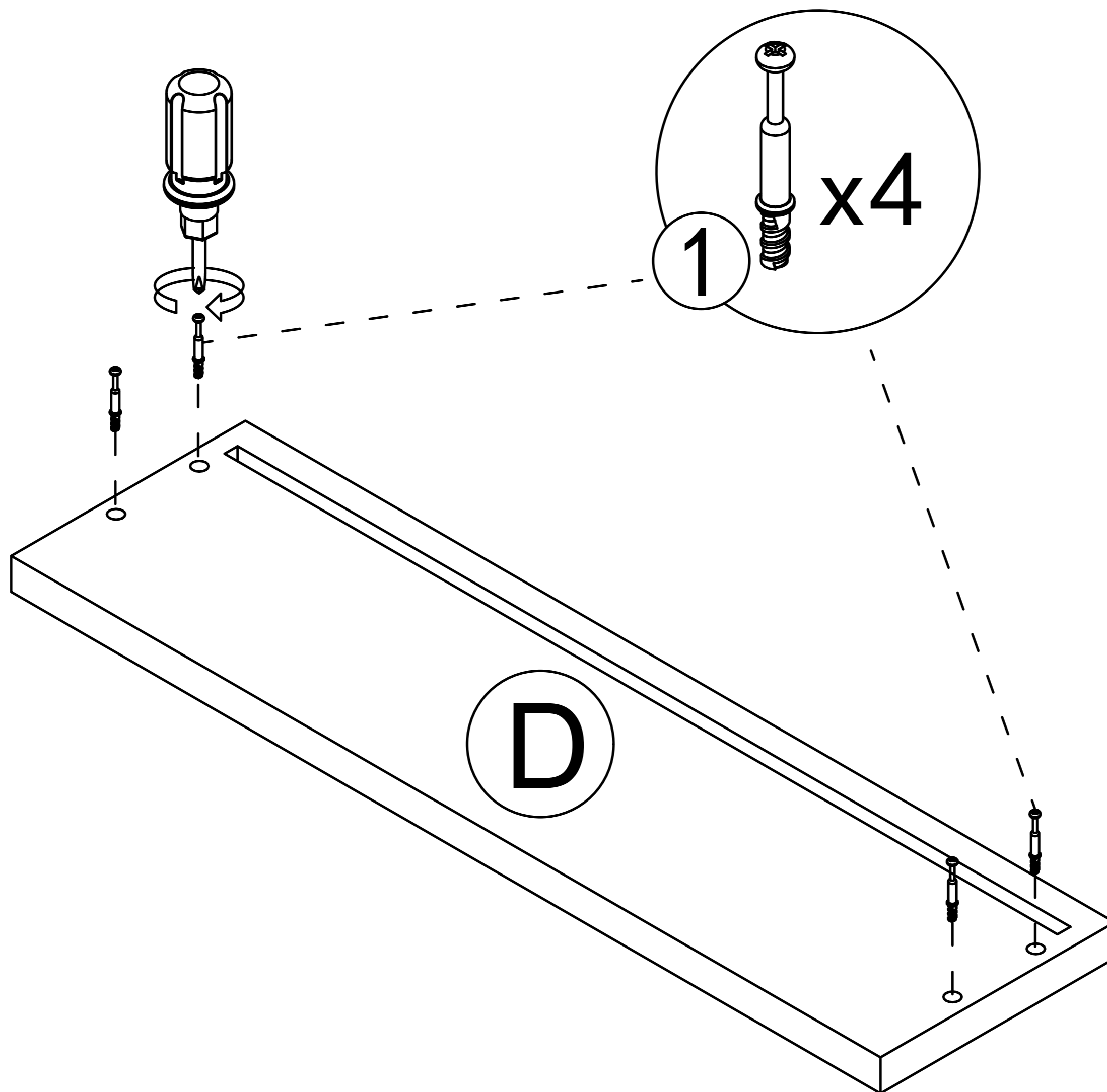
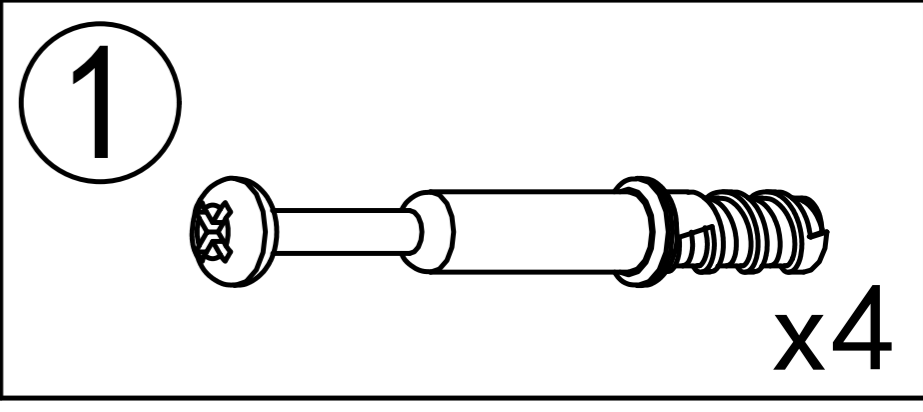
Step 3



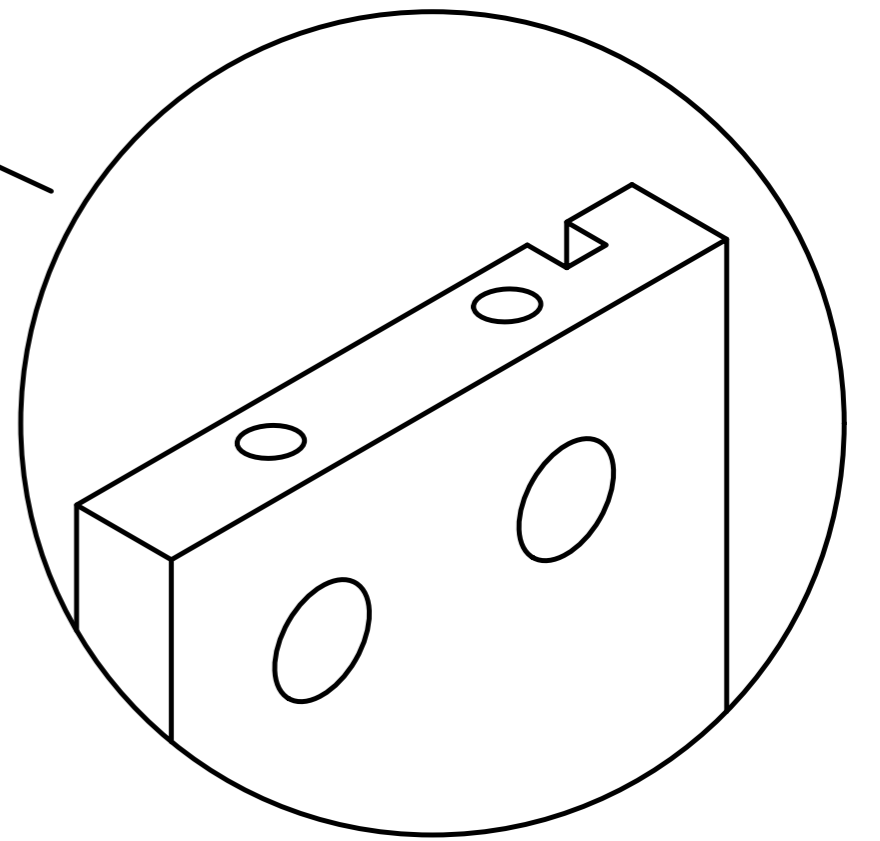
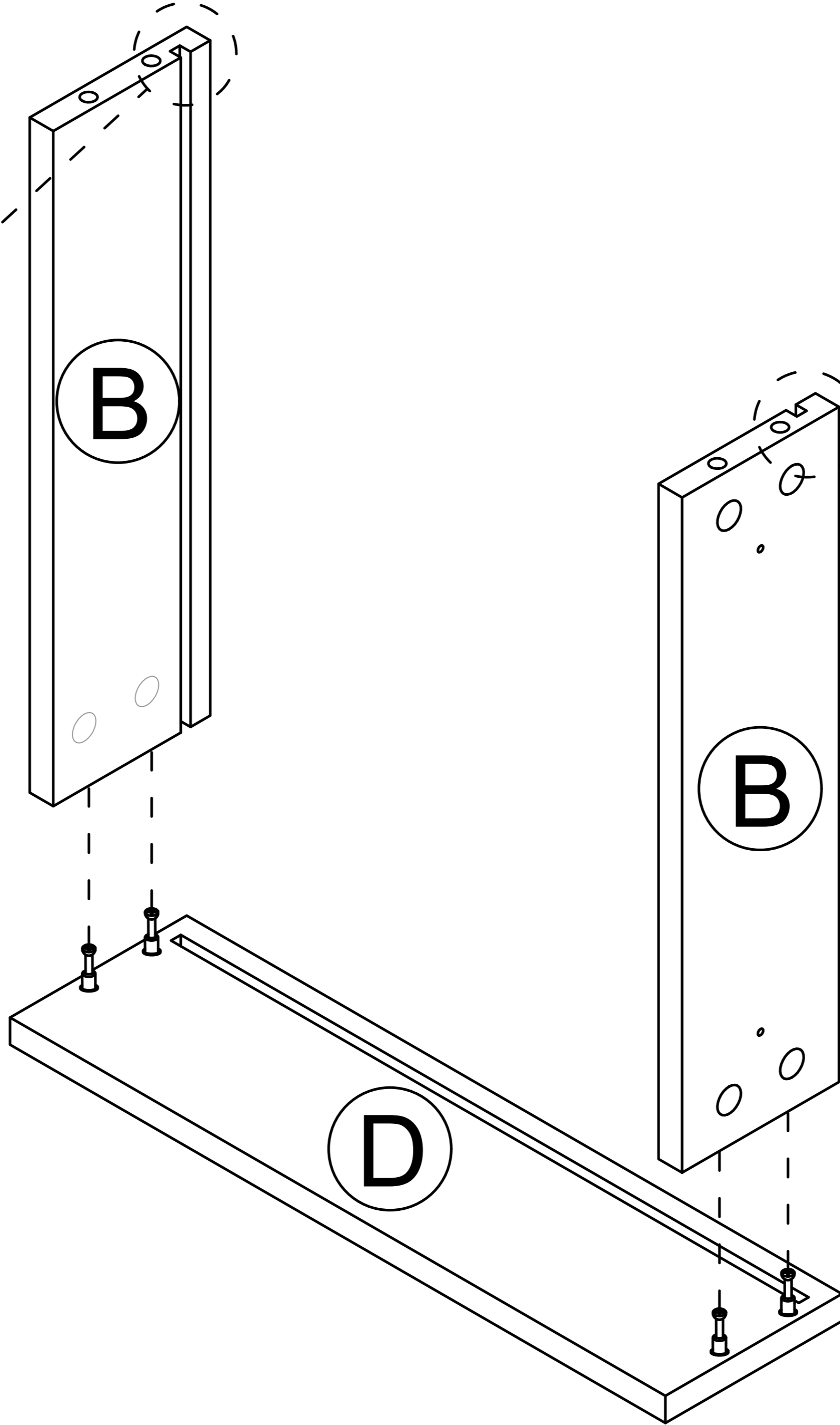
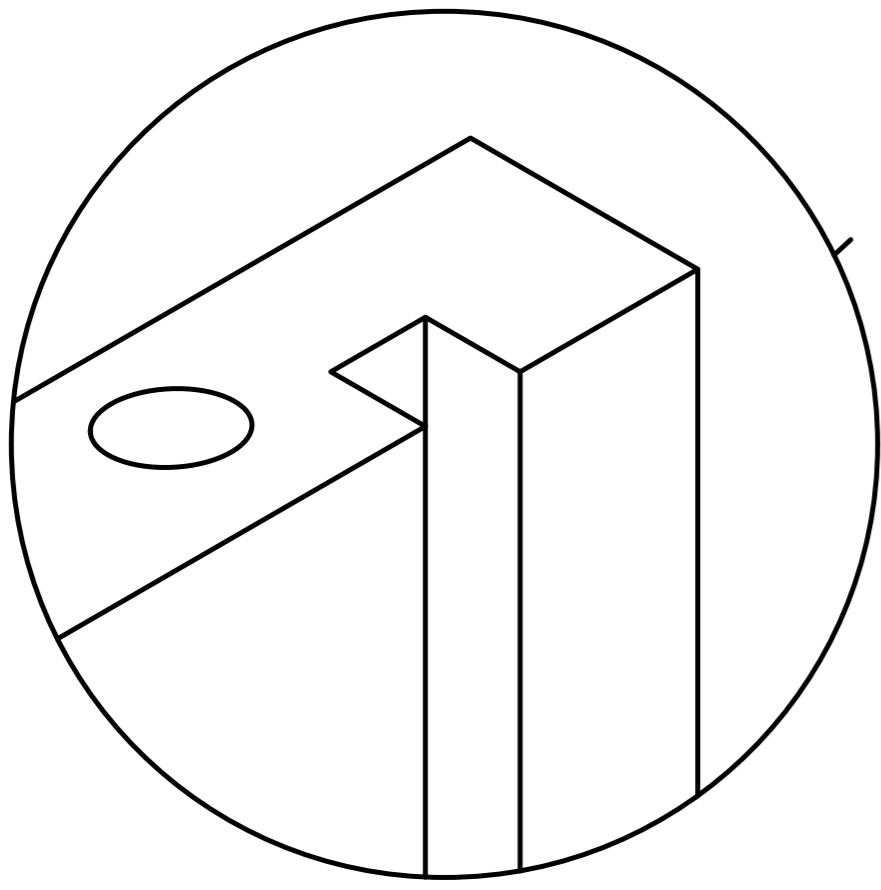
Use a screwdriver to lock in the direction of the "+" sign

Disassemble along the direction of "-" sign

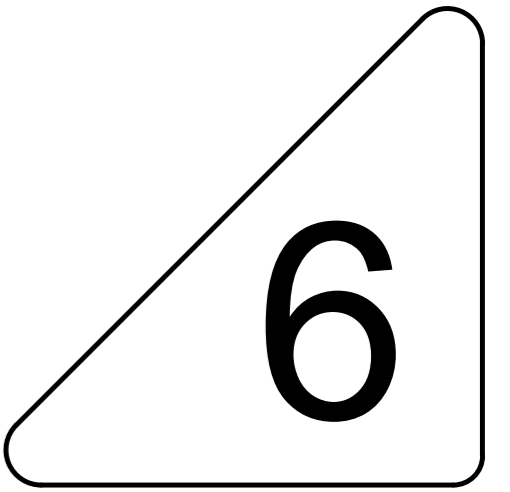
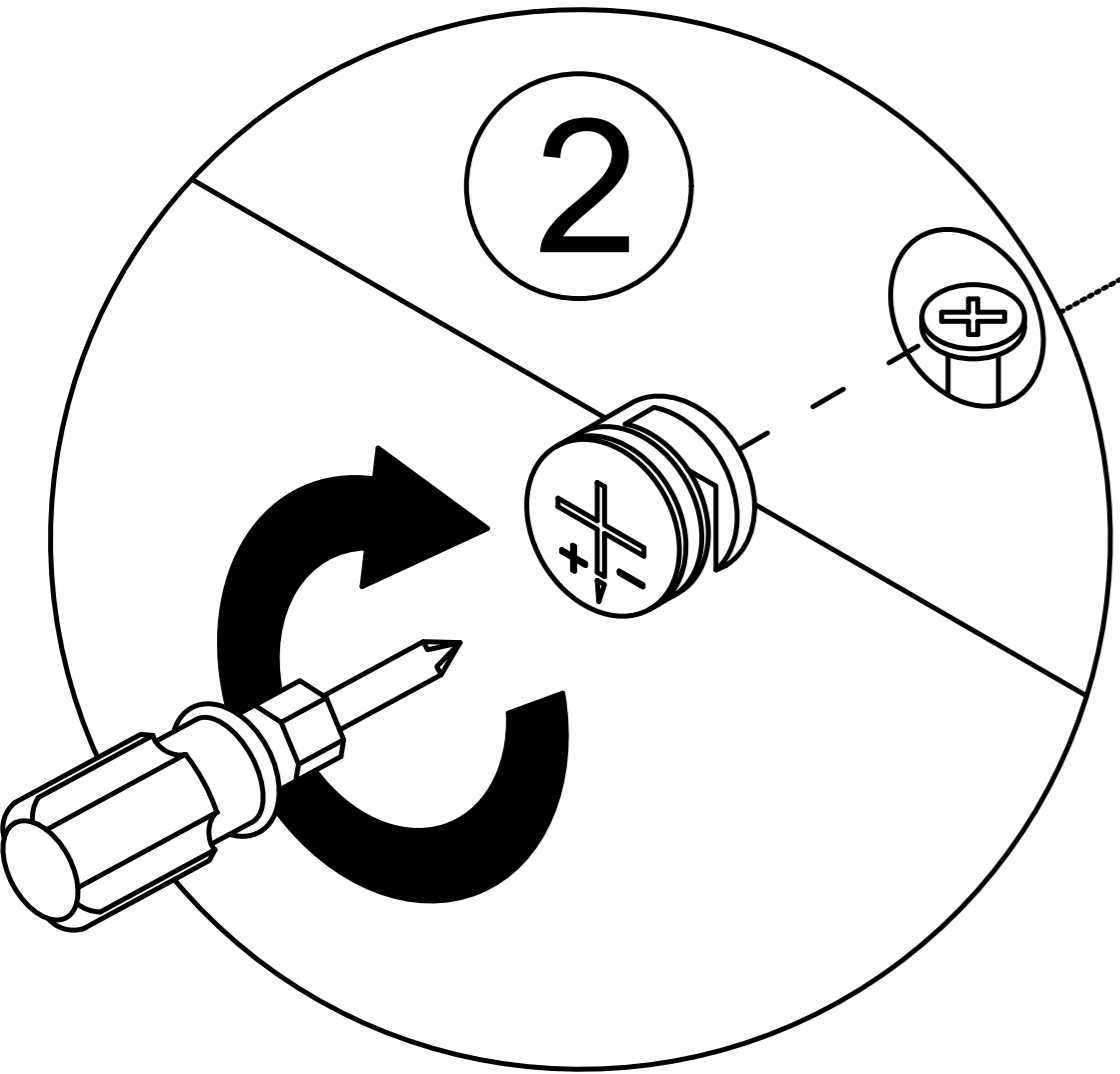
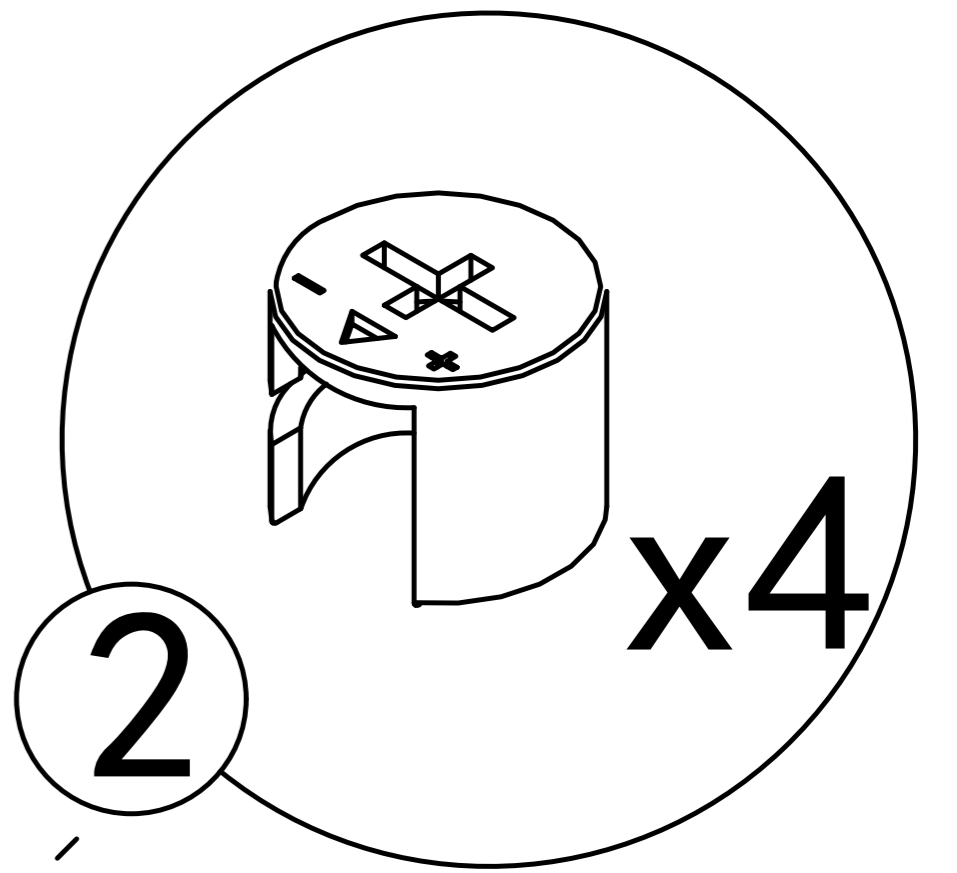
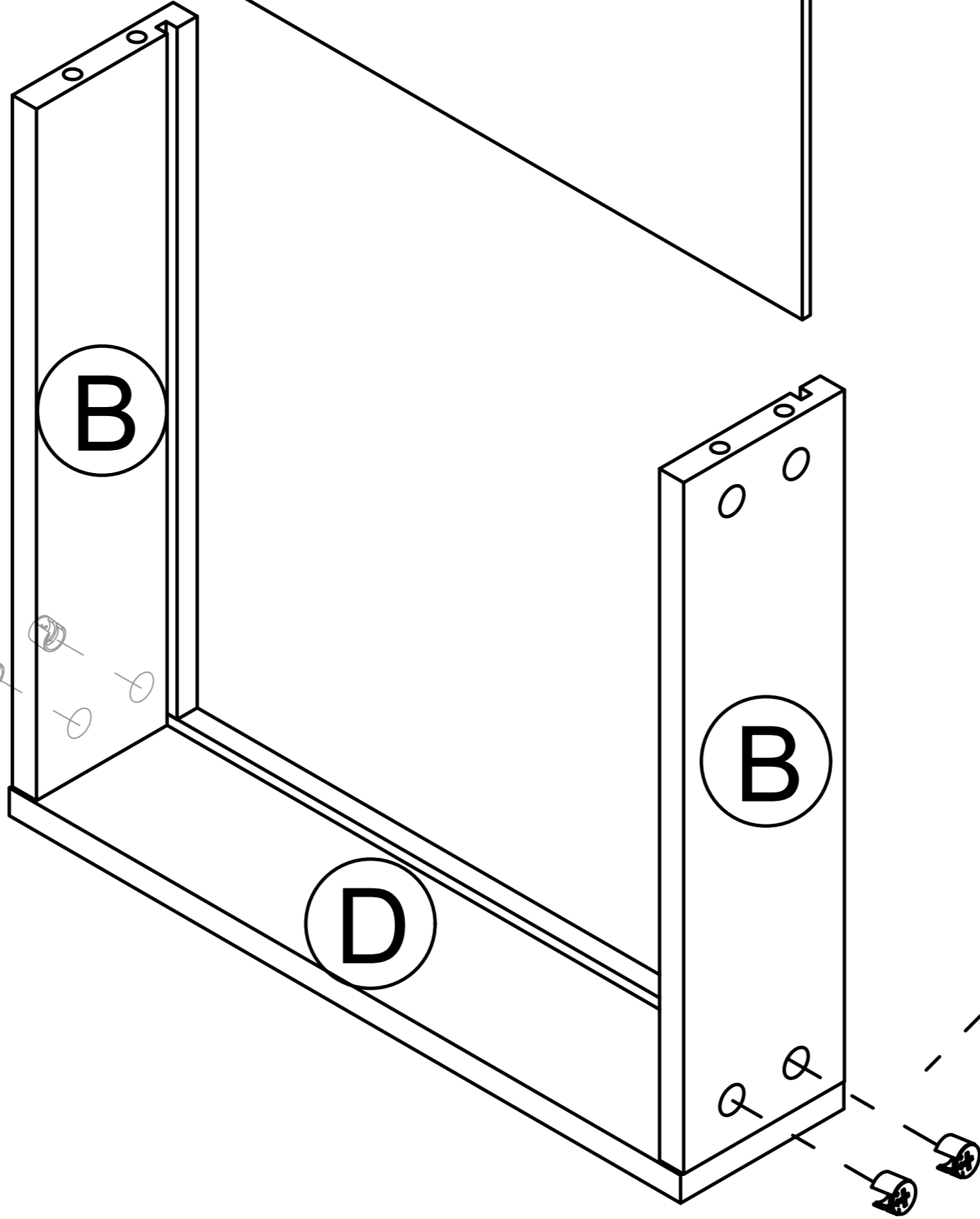
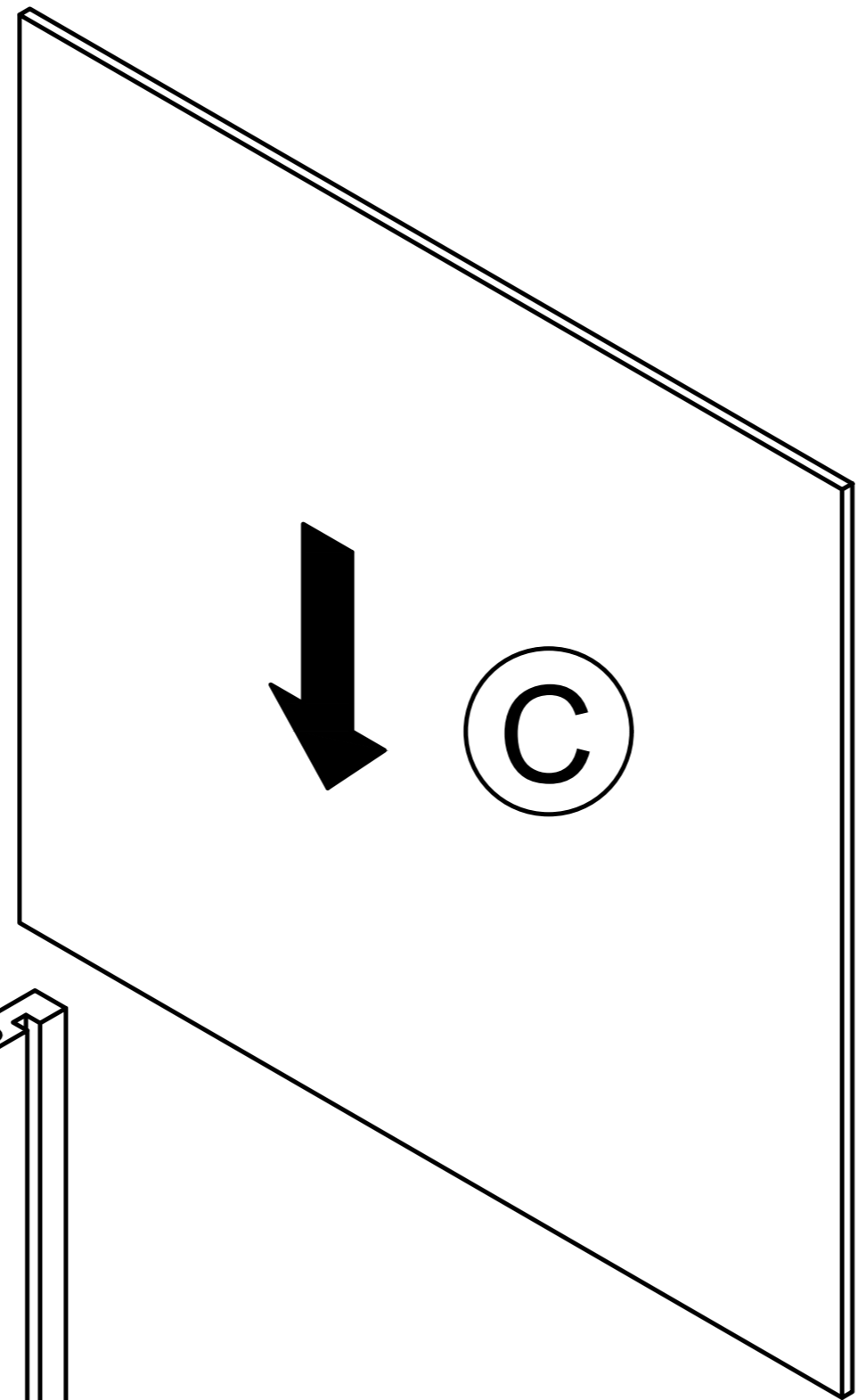
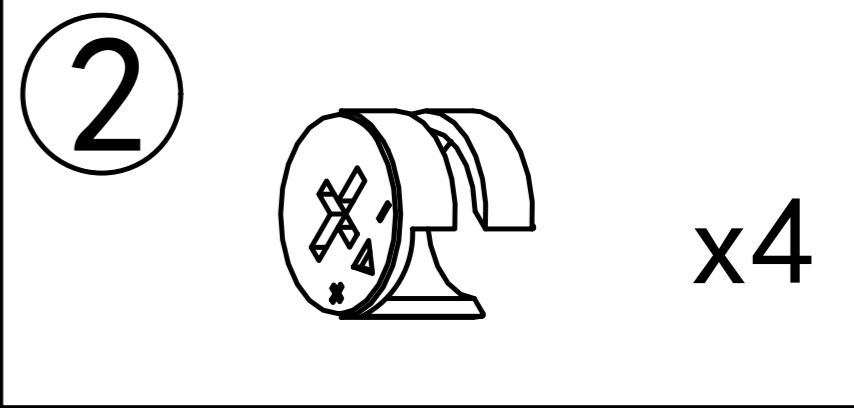
Step 1



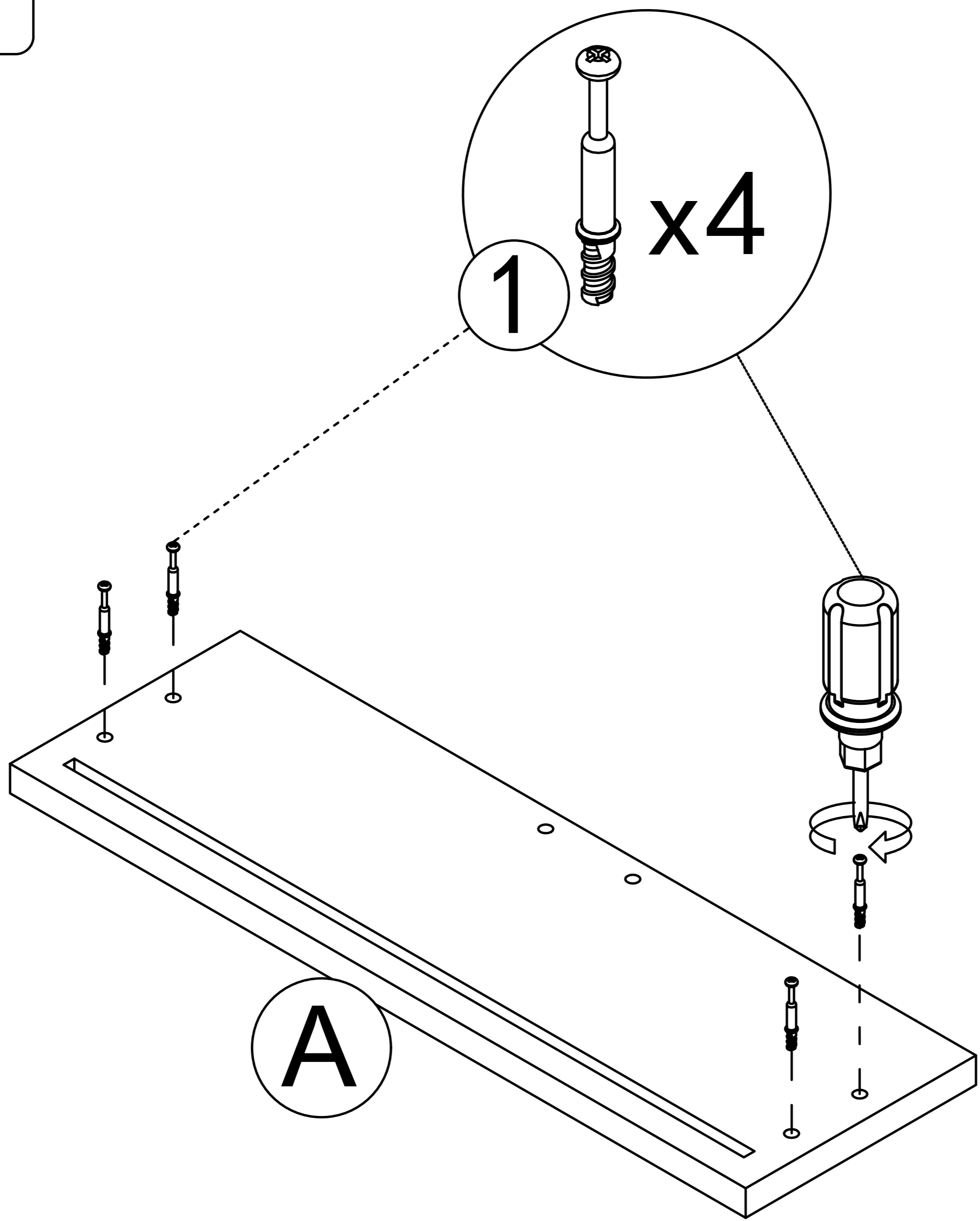
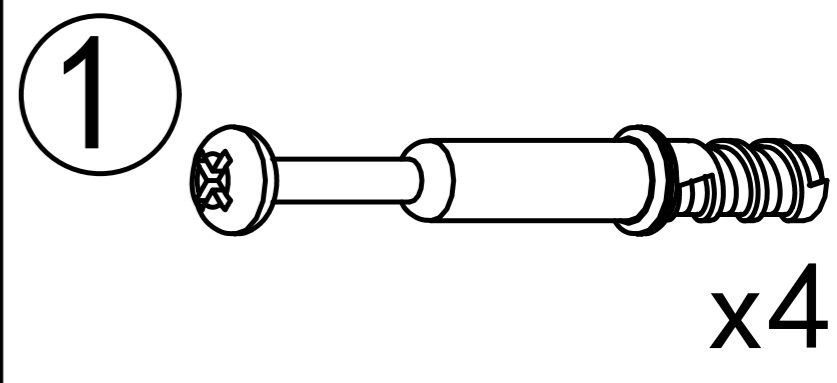
Step 2



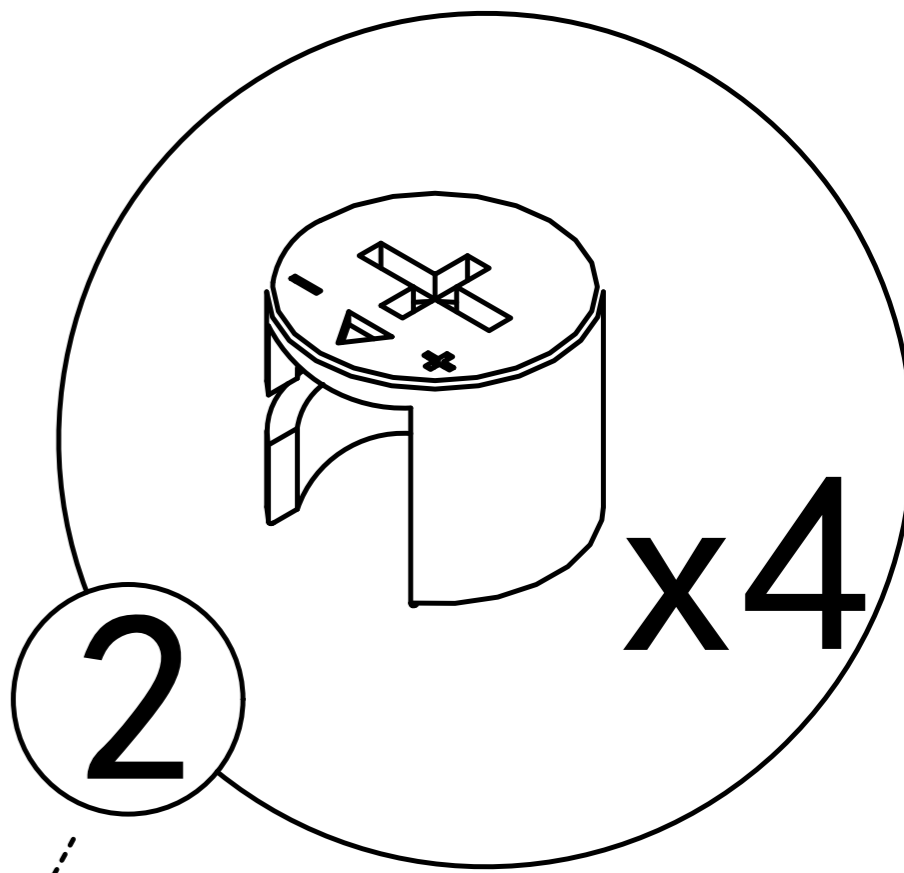
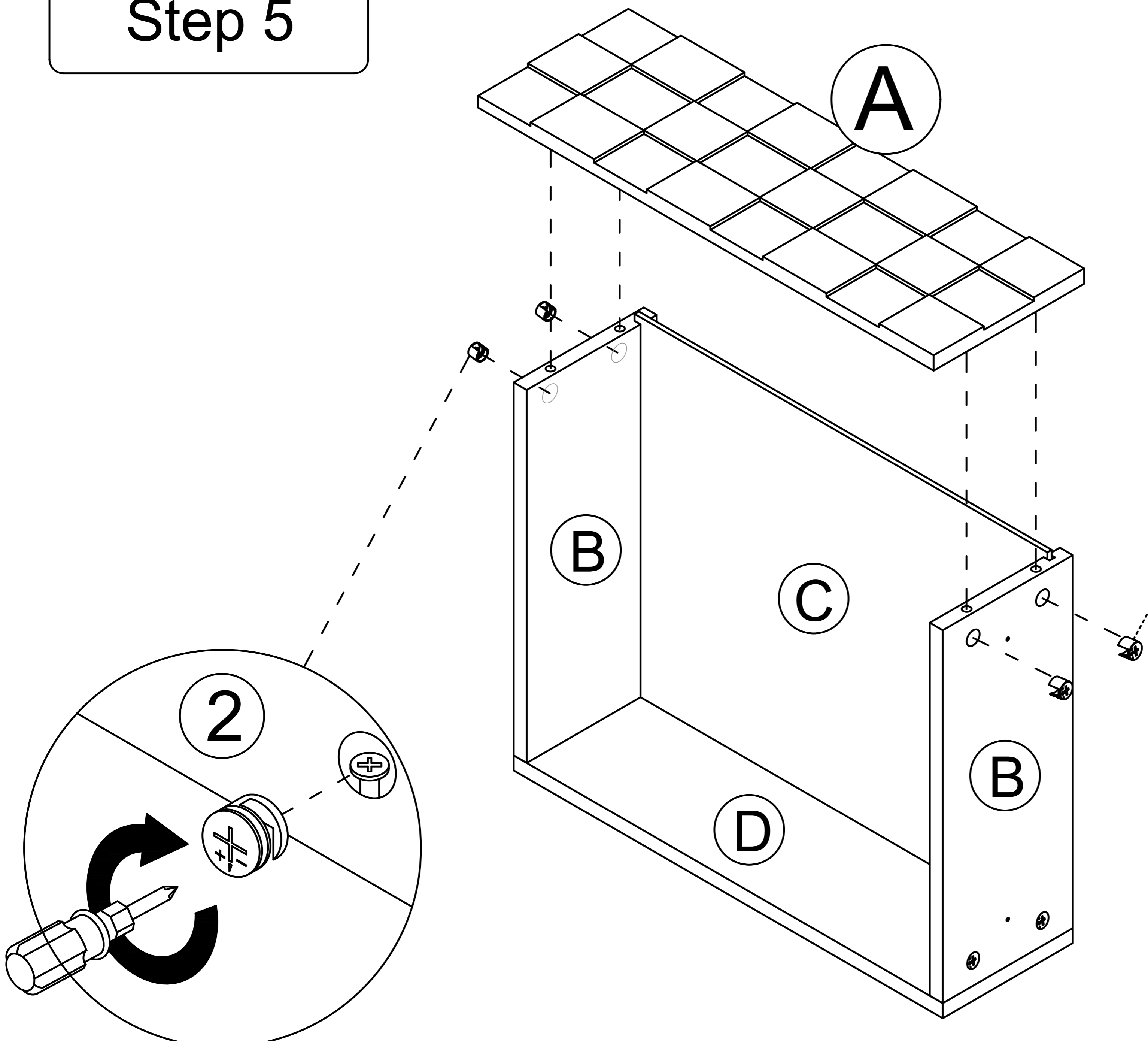
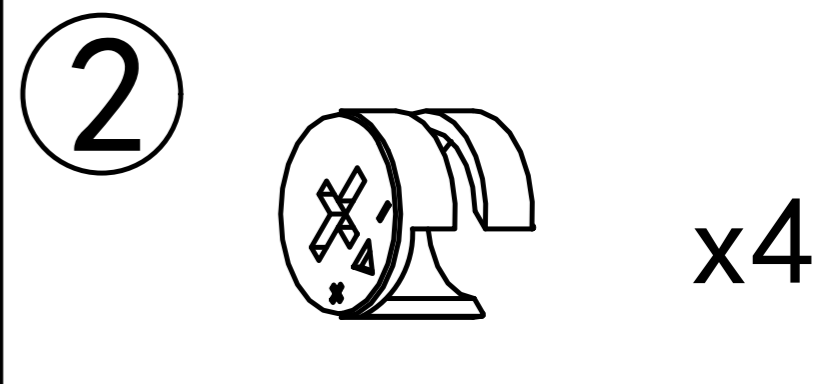
Step 3



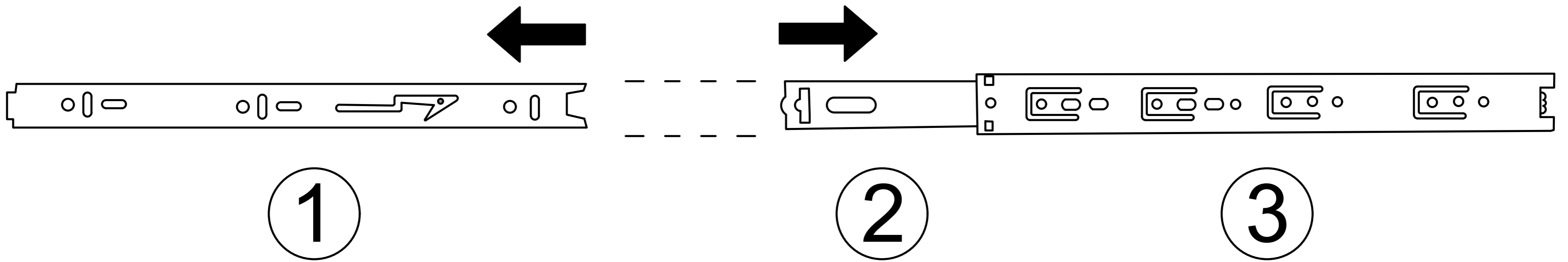
Step 4



Step 5

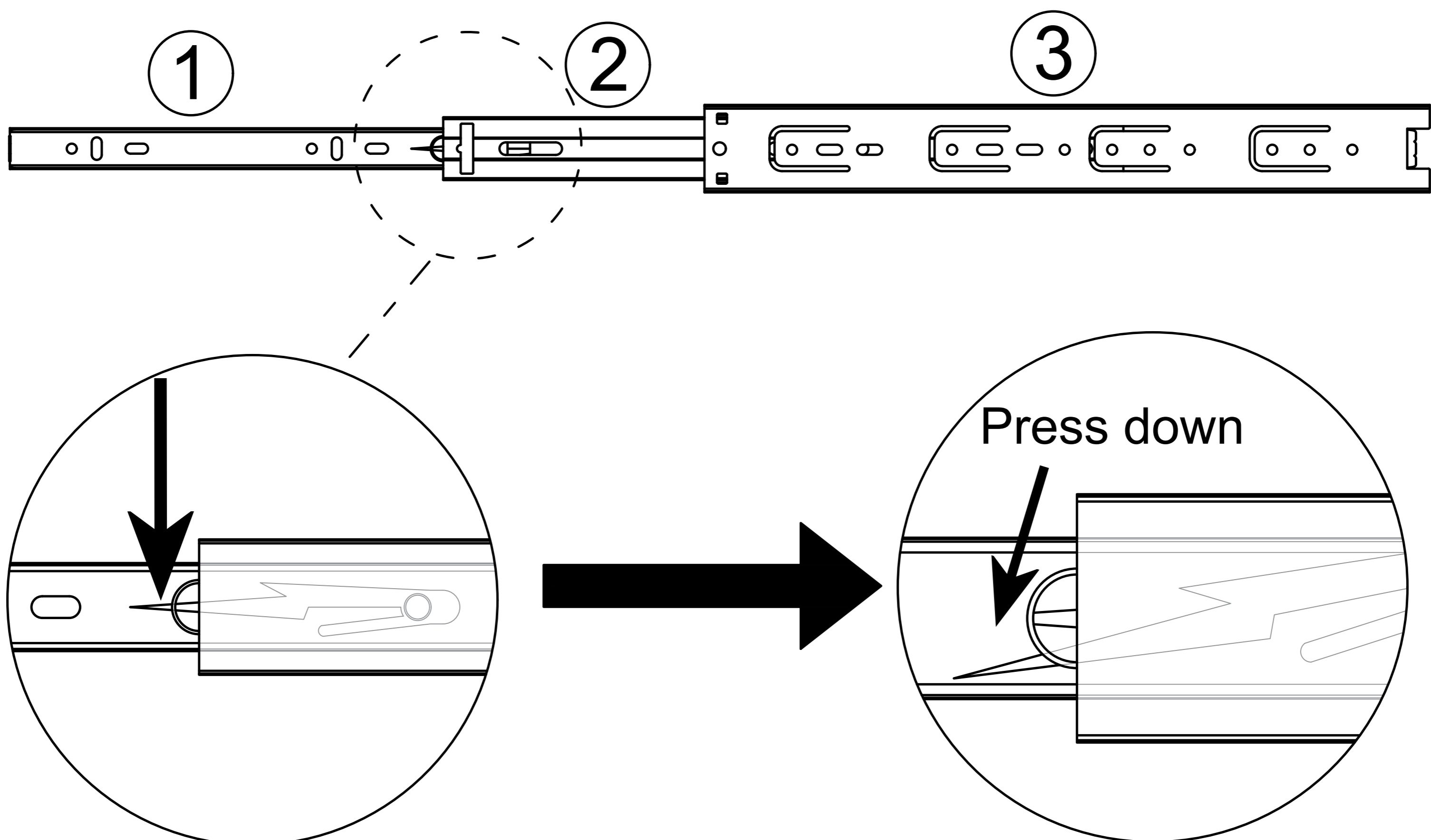


Drawer rail breakdown diagram



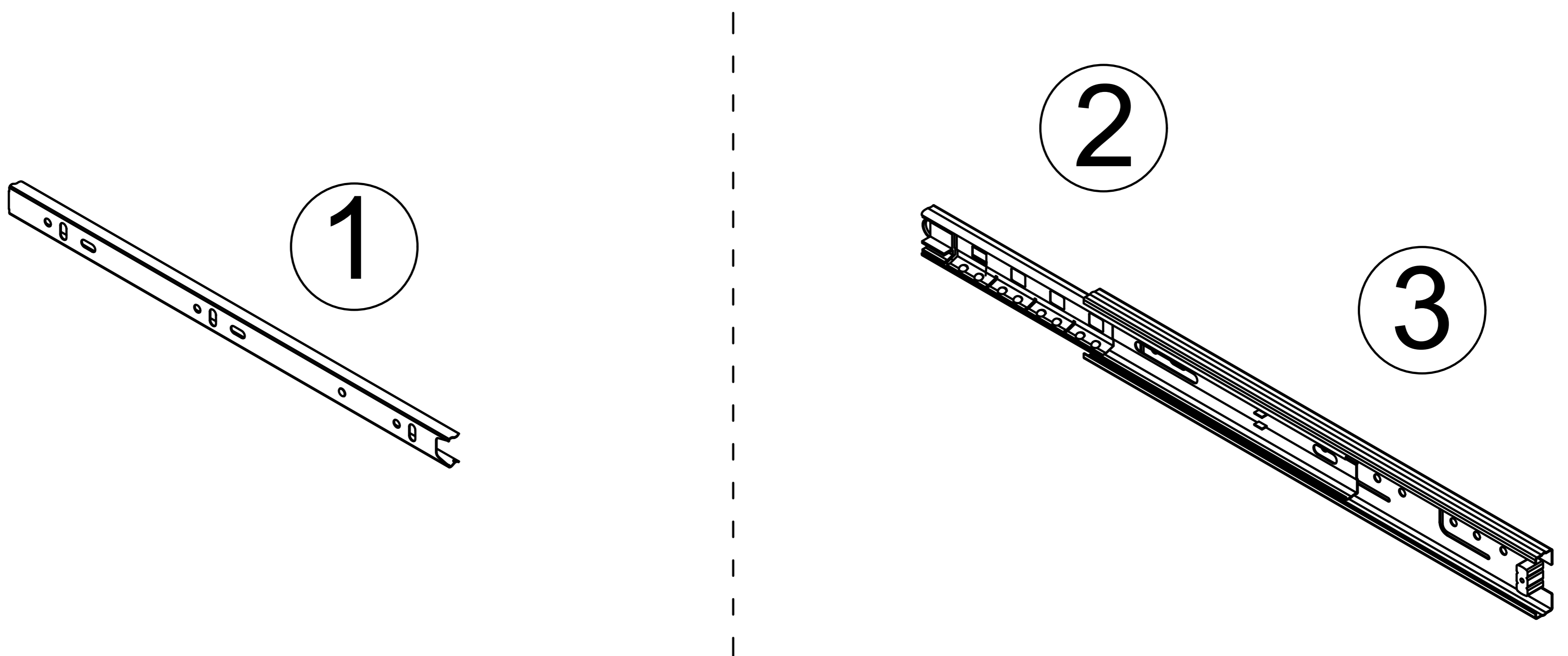
① Dismantle the schematic diagram

Step 1 : Pull the rails apart

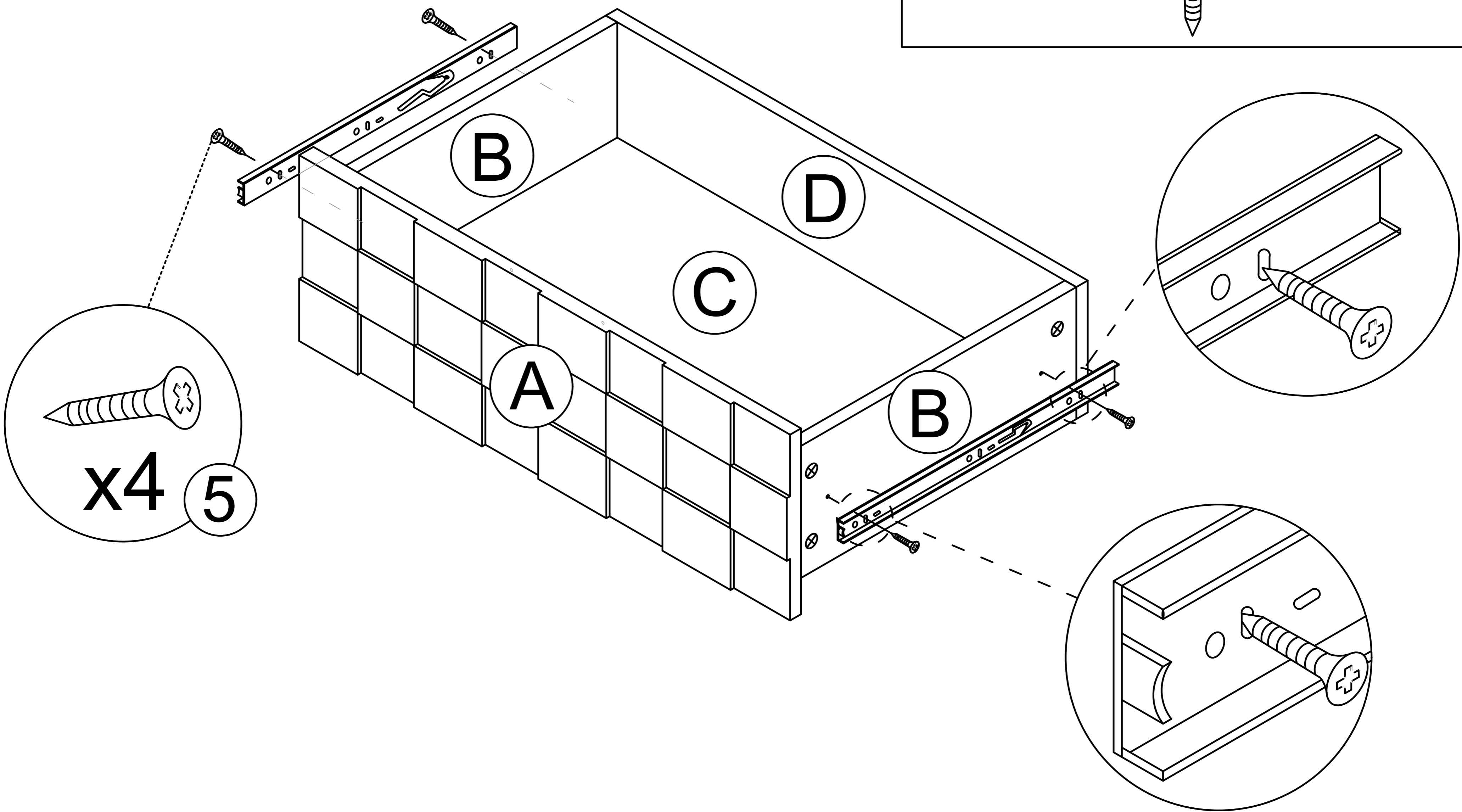
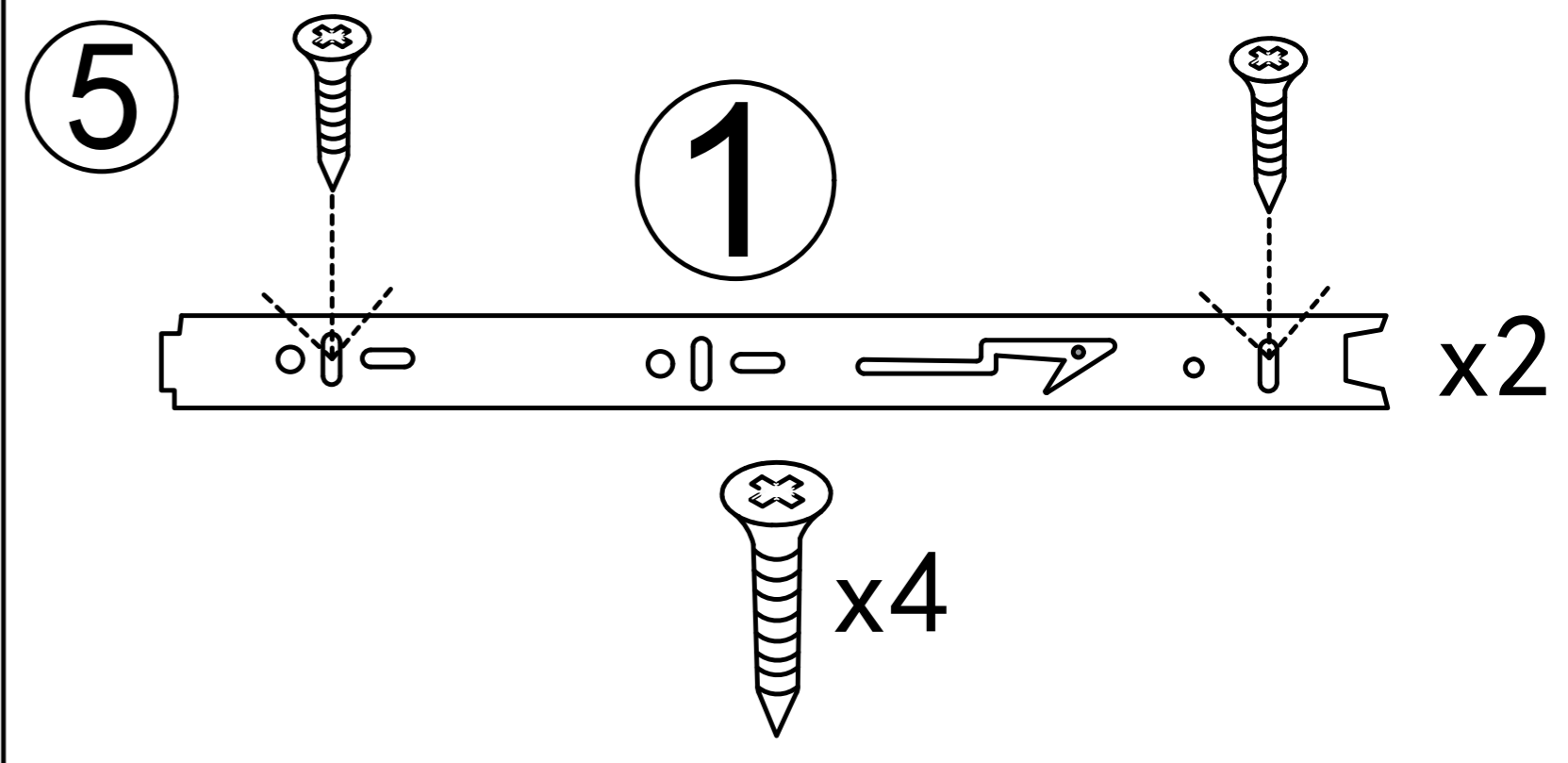


Step 2 : Press the nylon button and pull out ①.

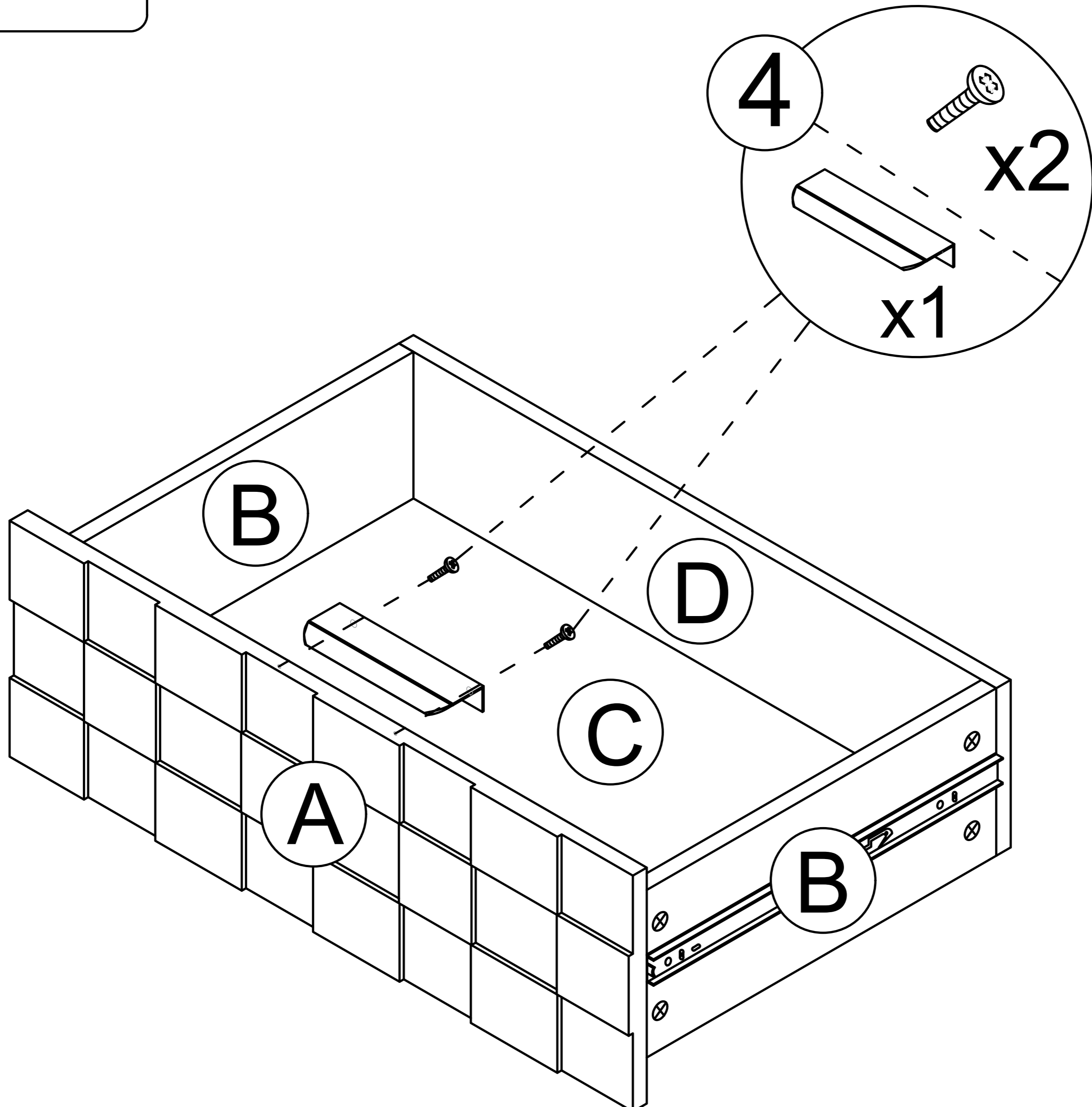
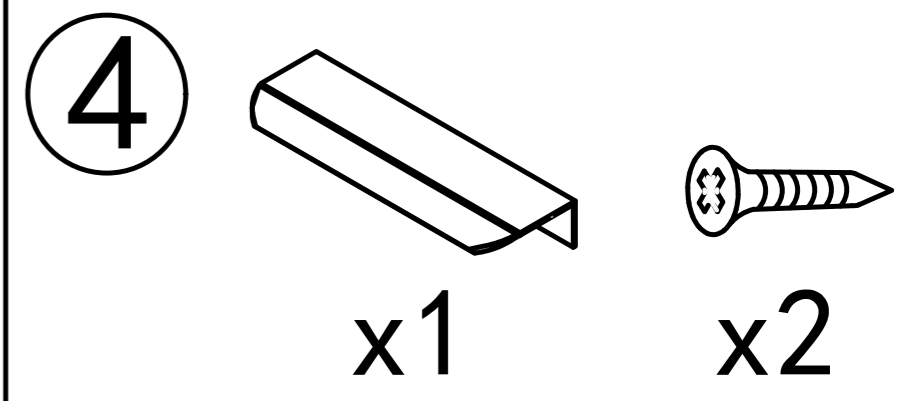
Drawer rail decomposition completed schematic diagram



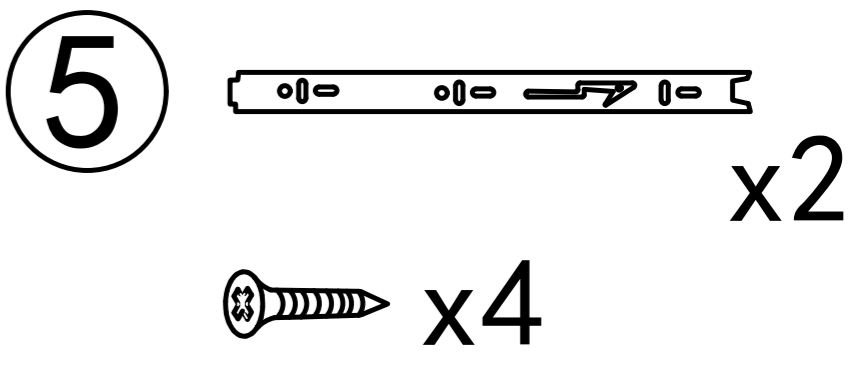
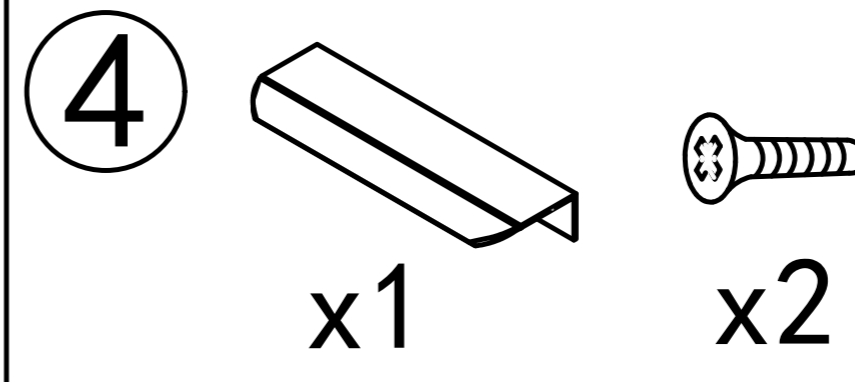
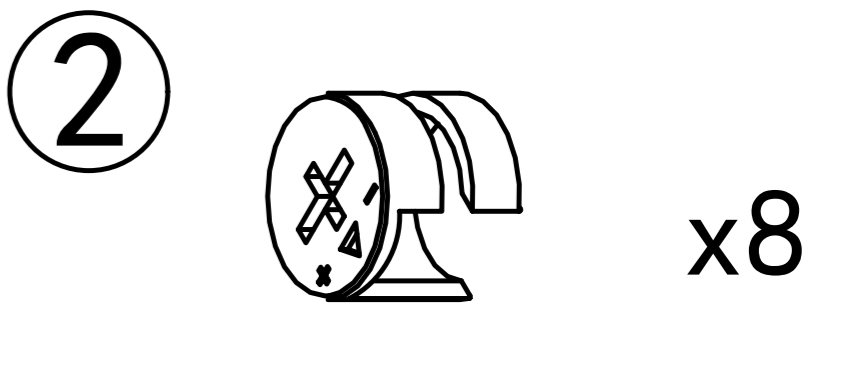
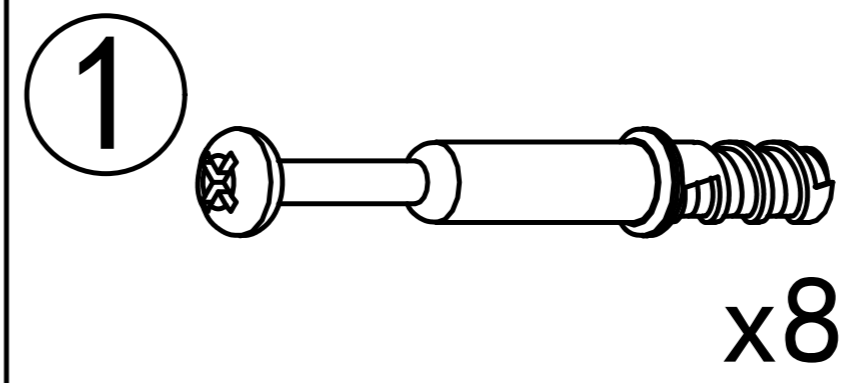
Step 6



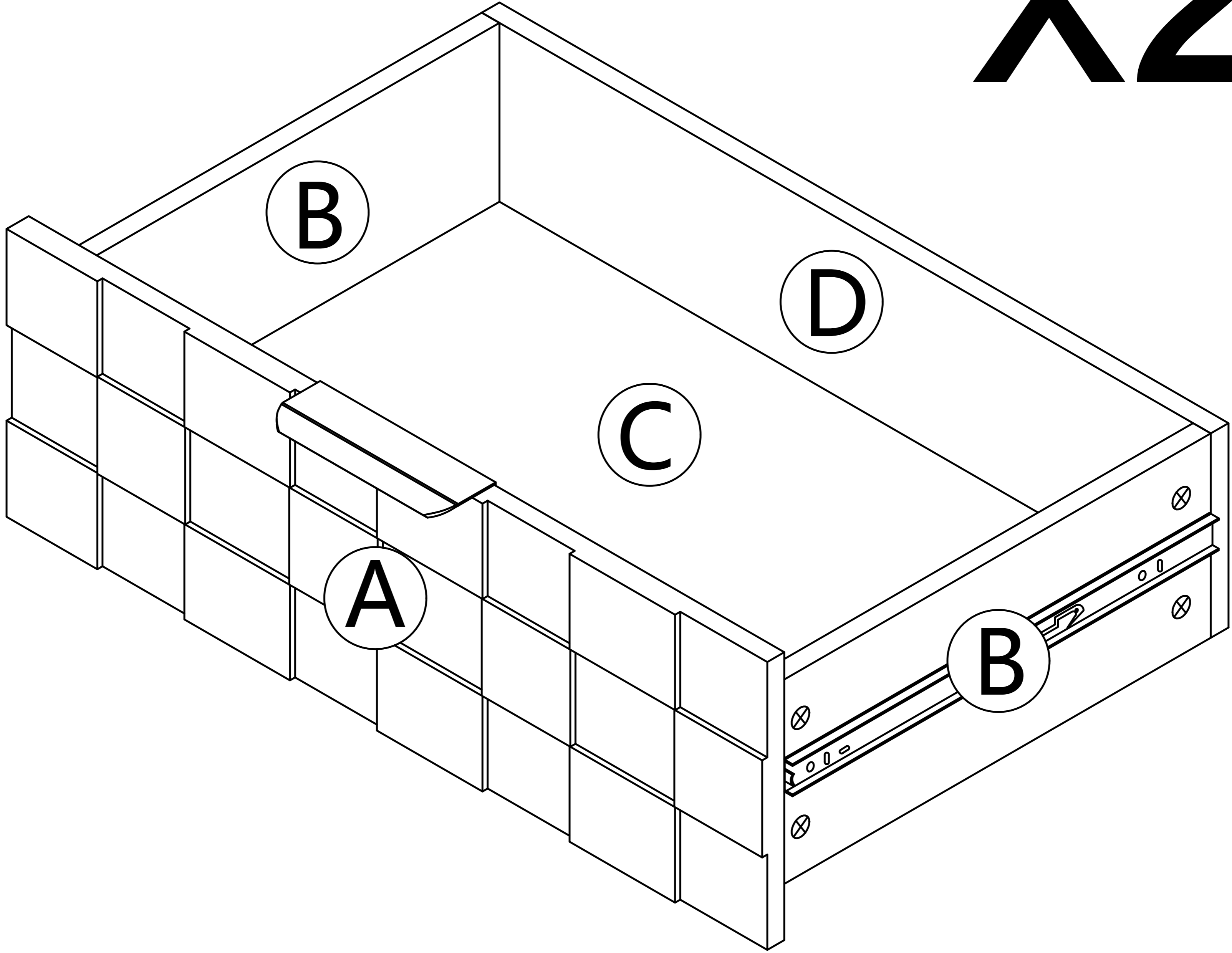
Step 7



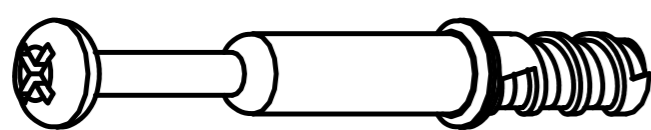
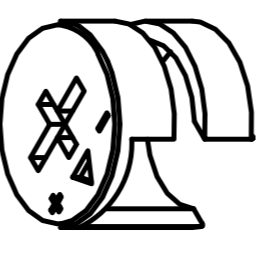

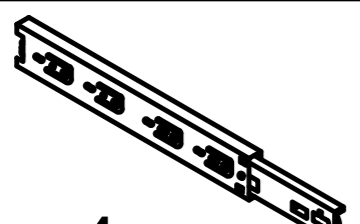

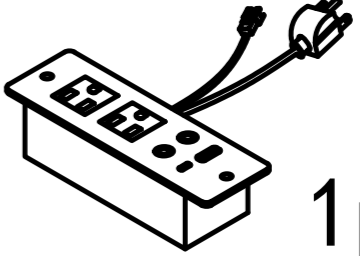
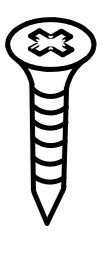
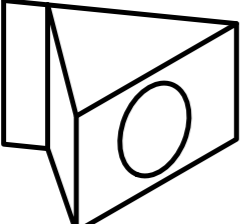
Step 8

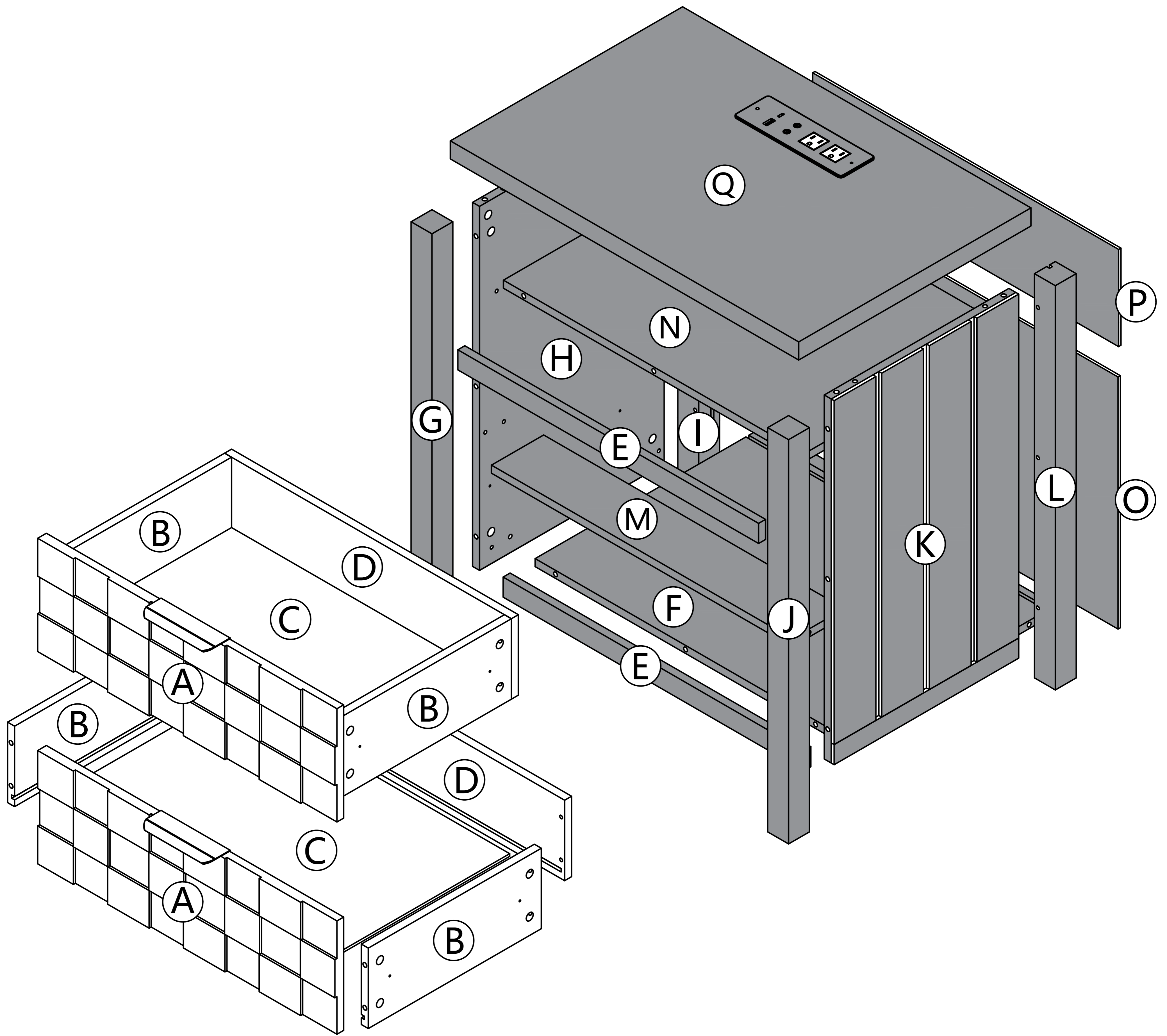


x2

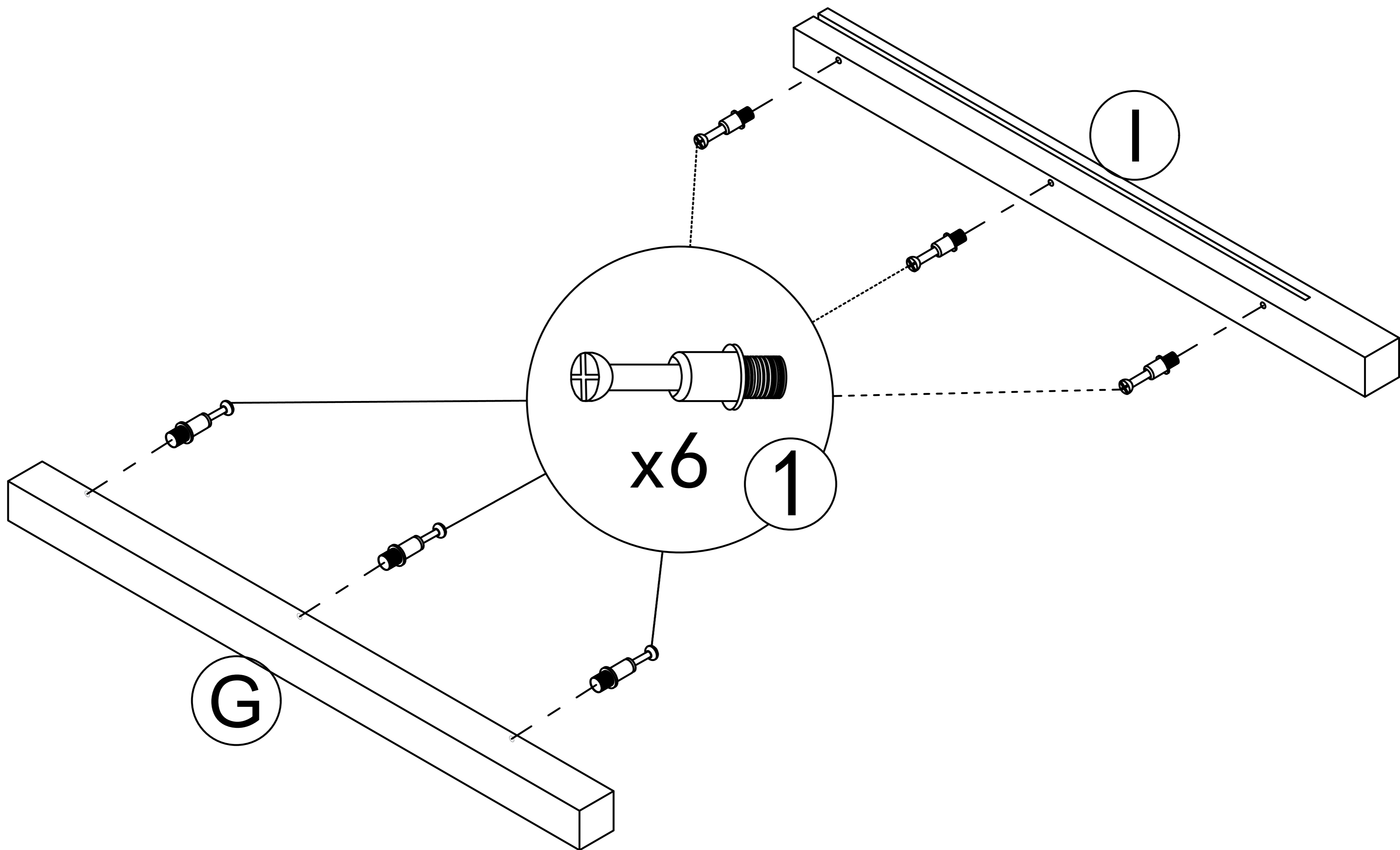
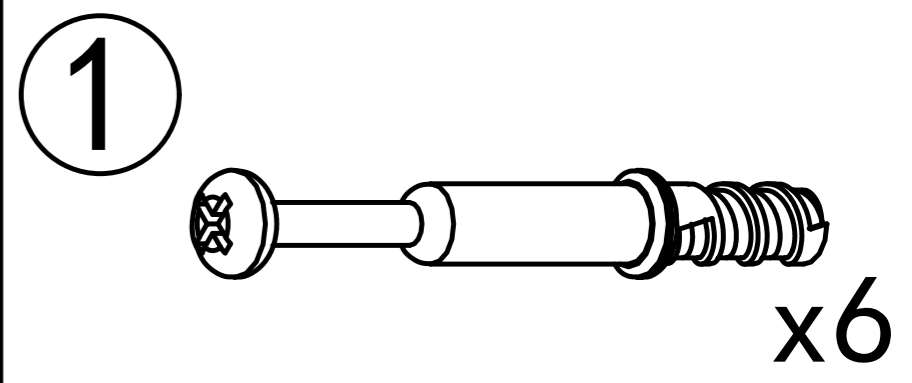


Repeat the drawer installation steps

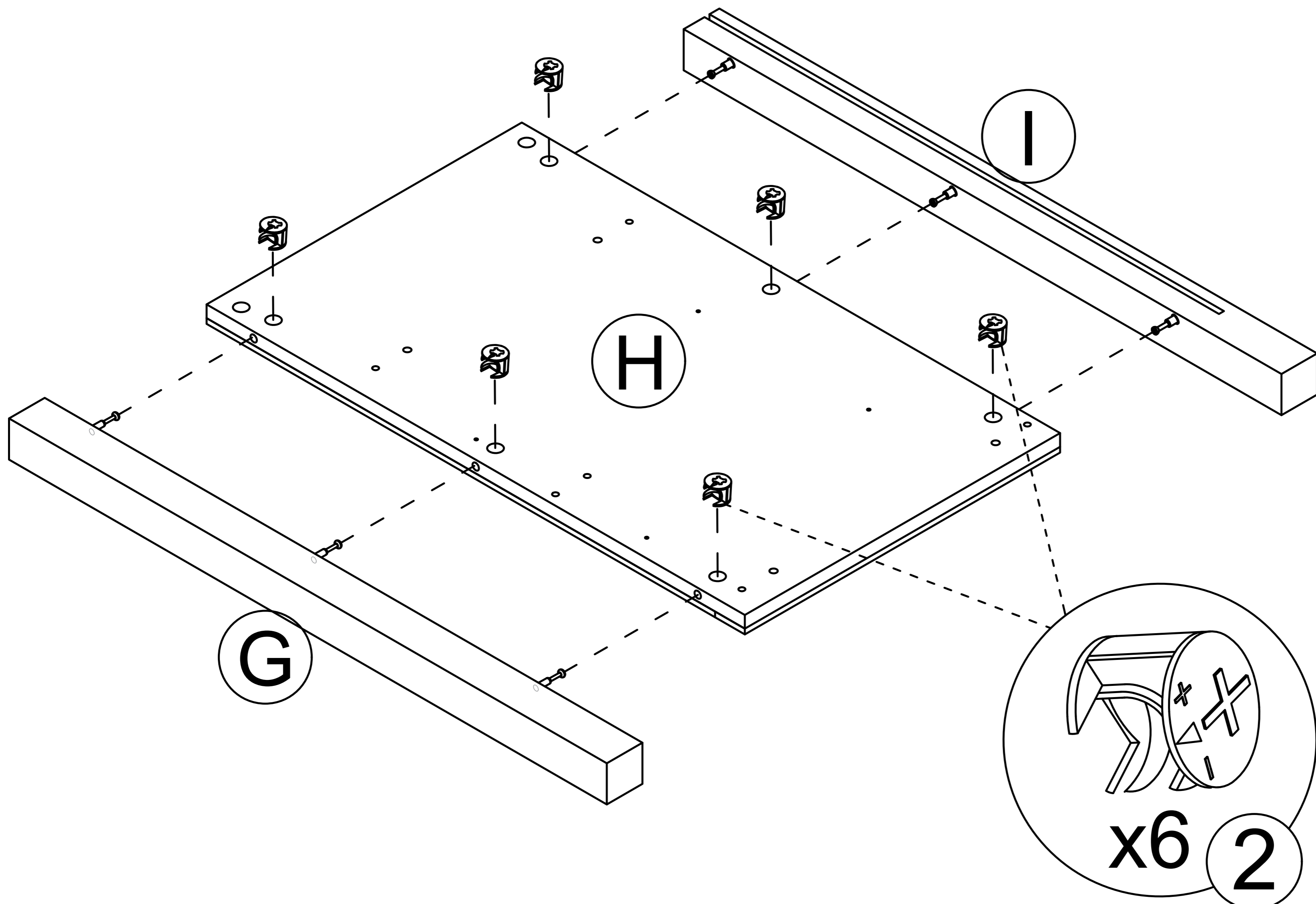
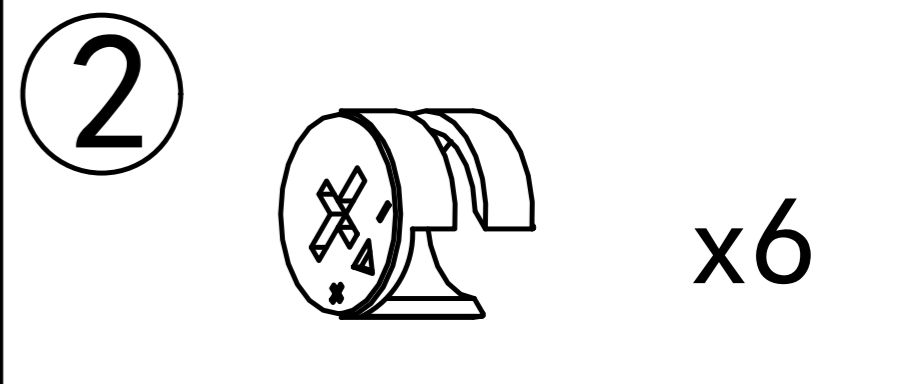
①		34pcs	②		34pcs	③		12pcs		
⑤		4pcs	⑥		4pcs	⑦		1pcs		2pcs
⑧		6pcs								



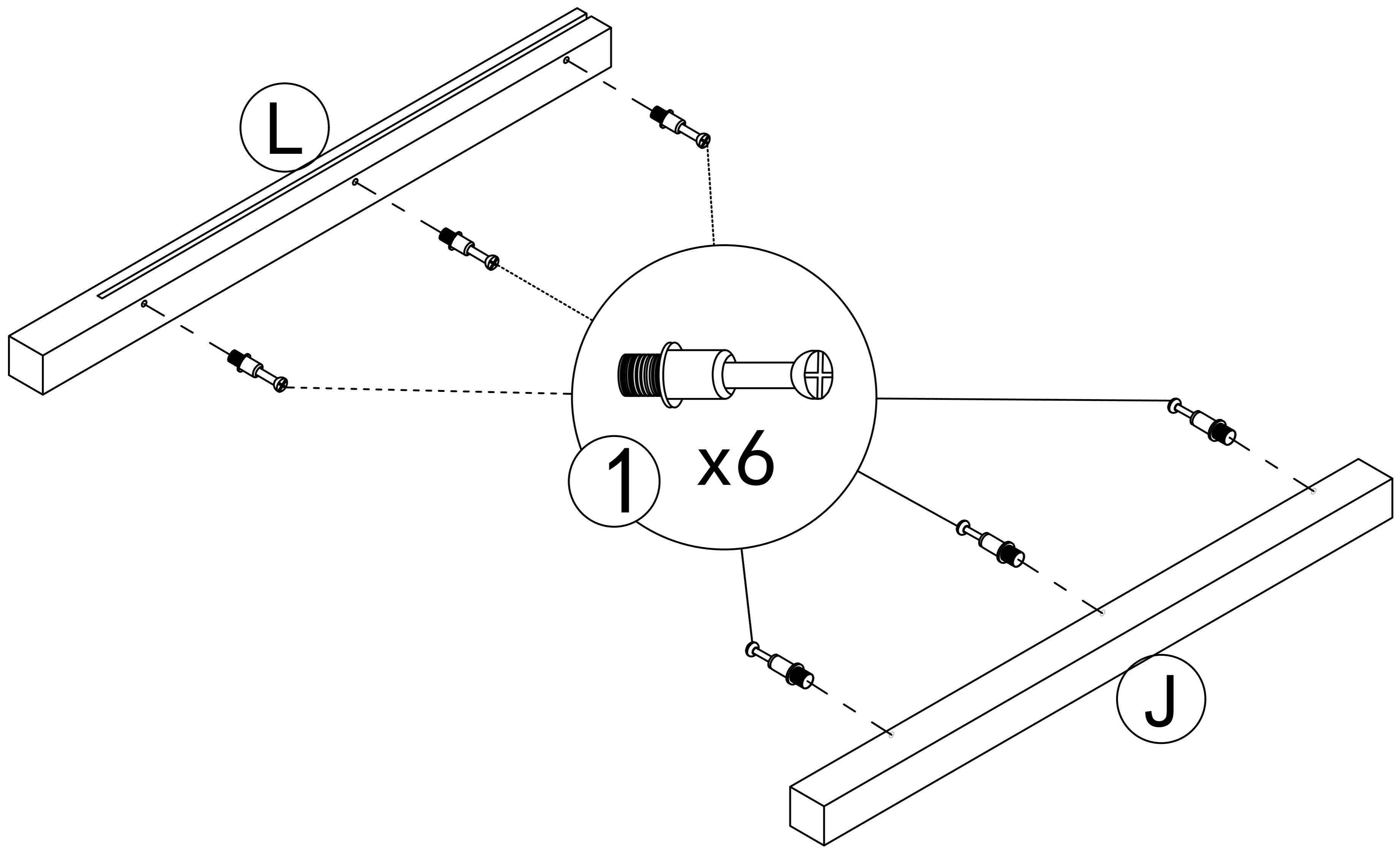
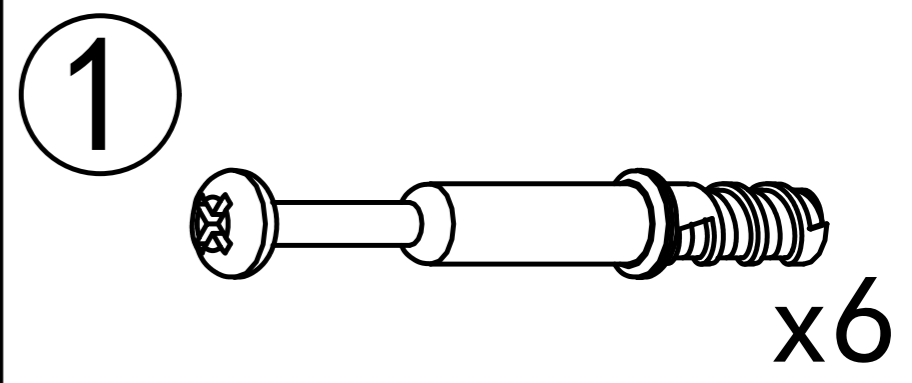
Step 9



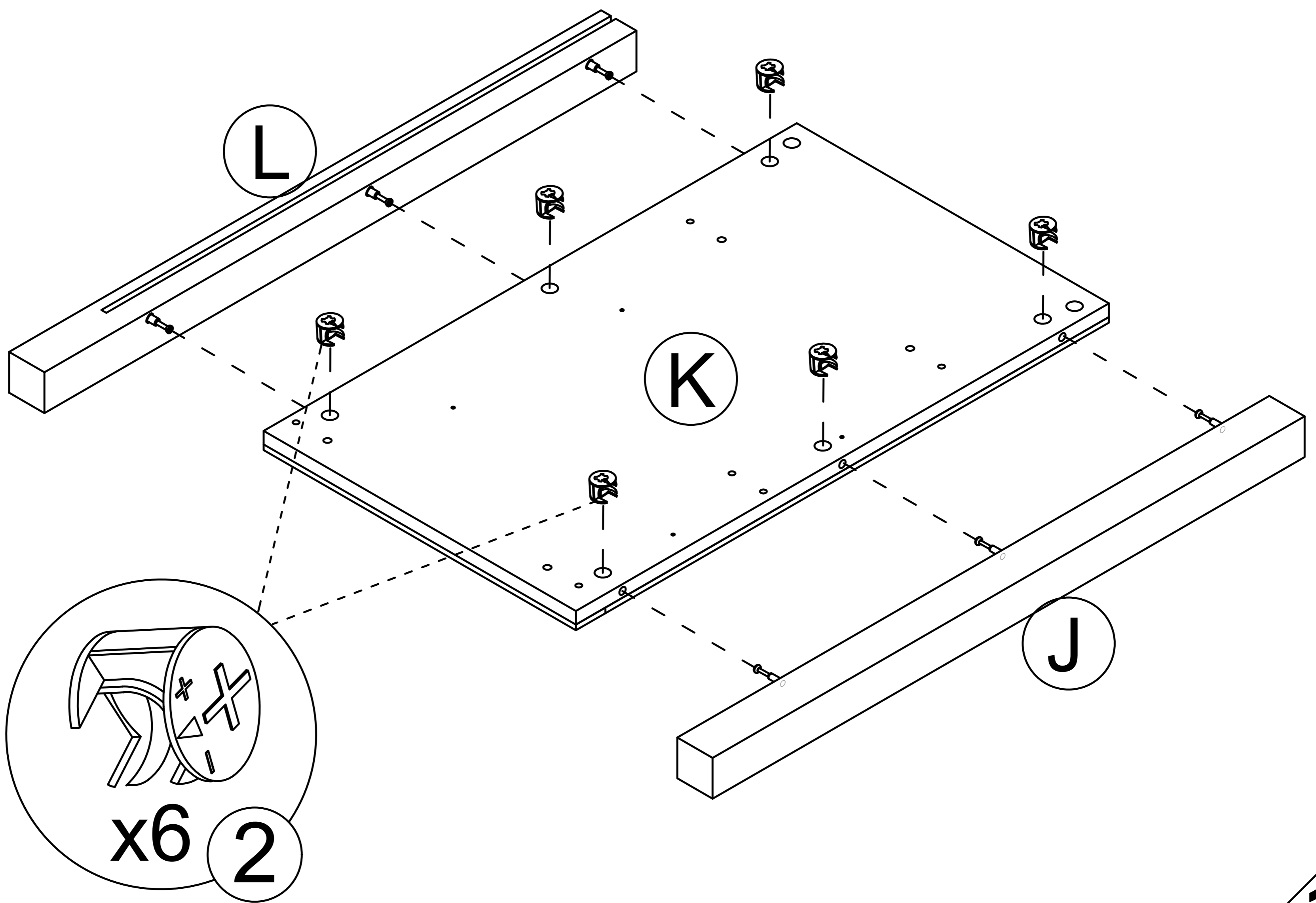
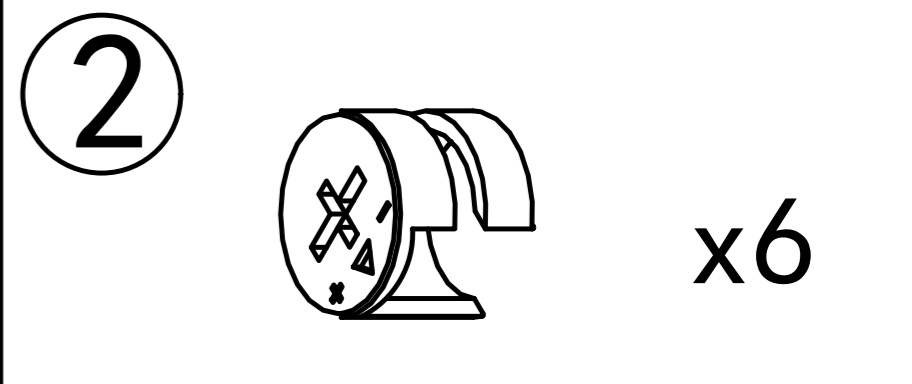
Step 10



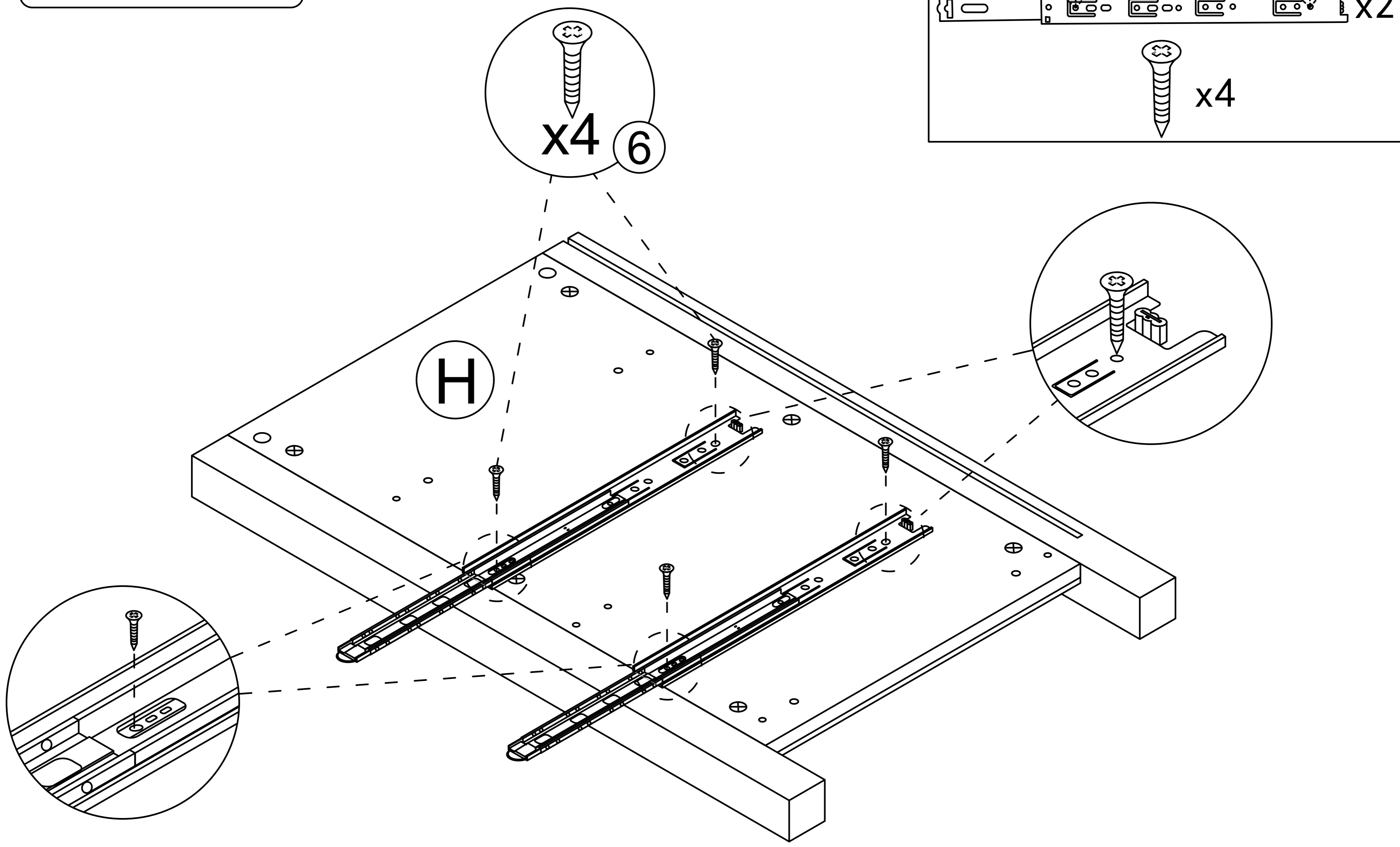
Step 11



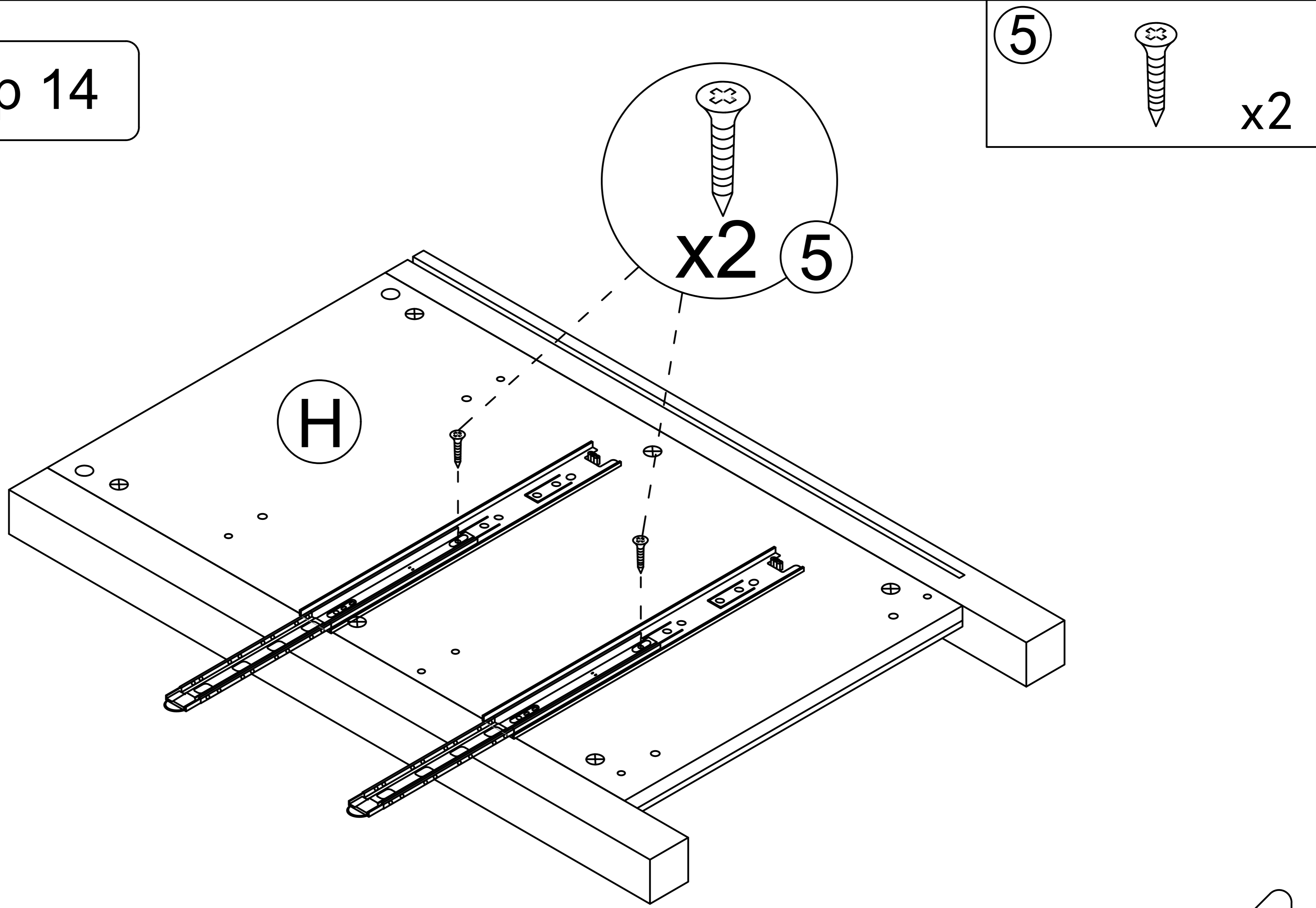
Step 12



Step 13

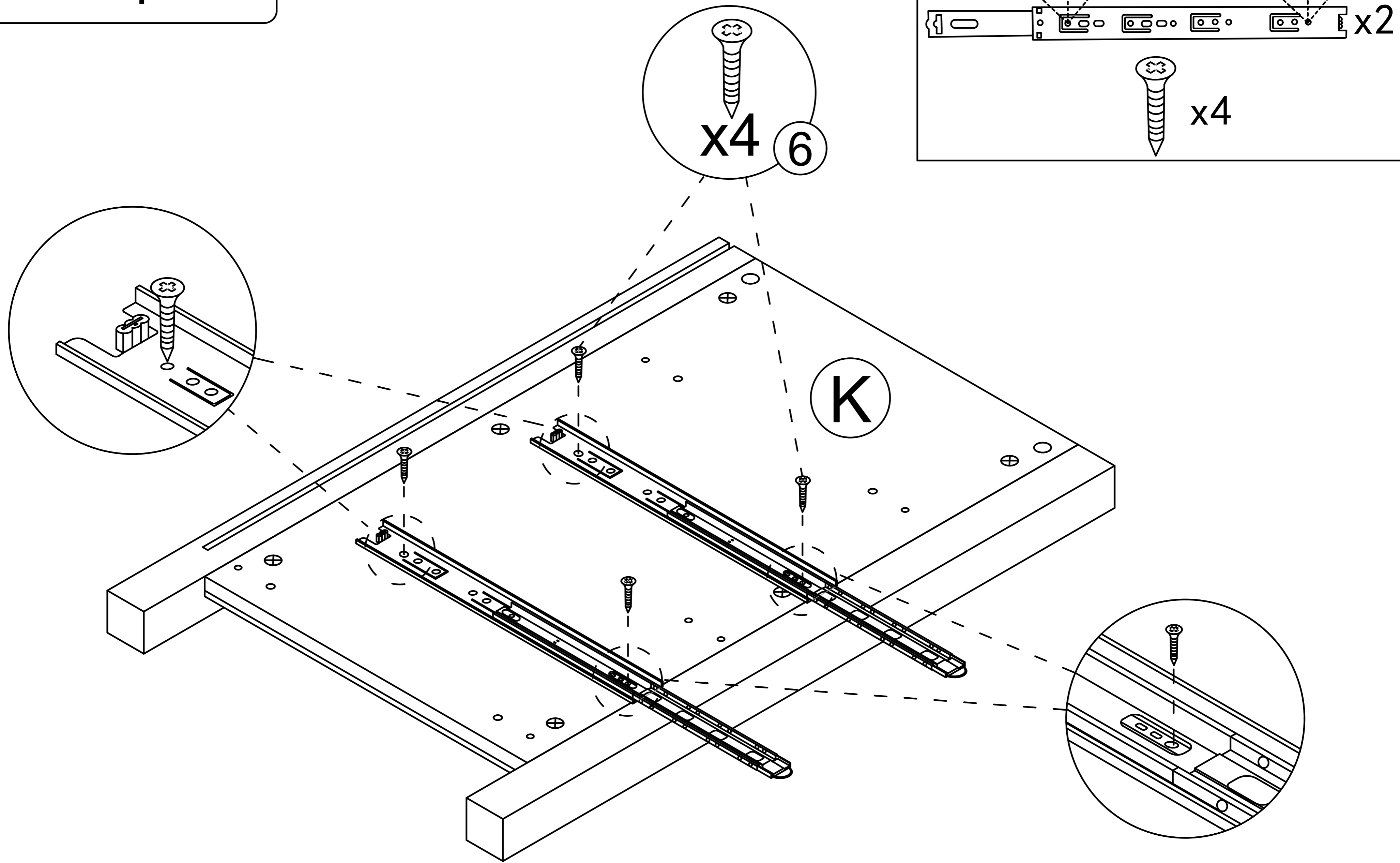


Step 14

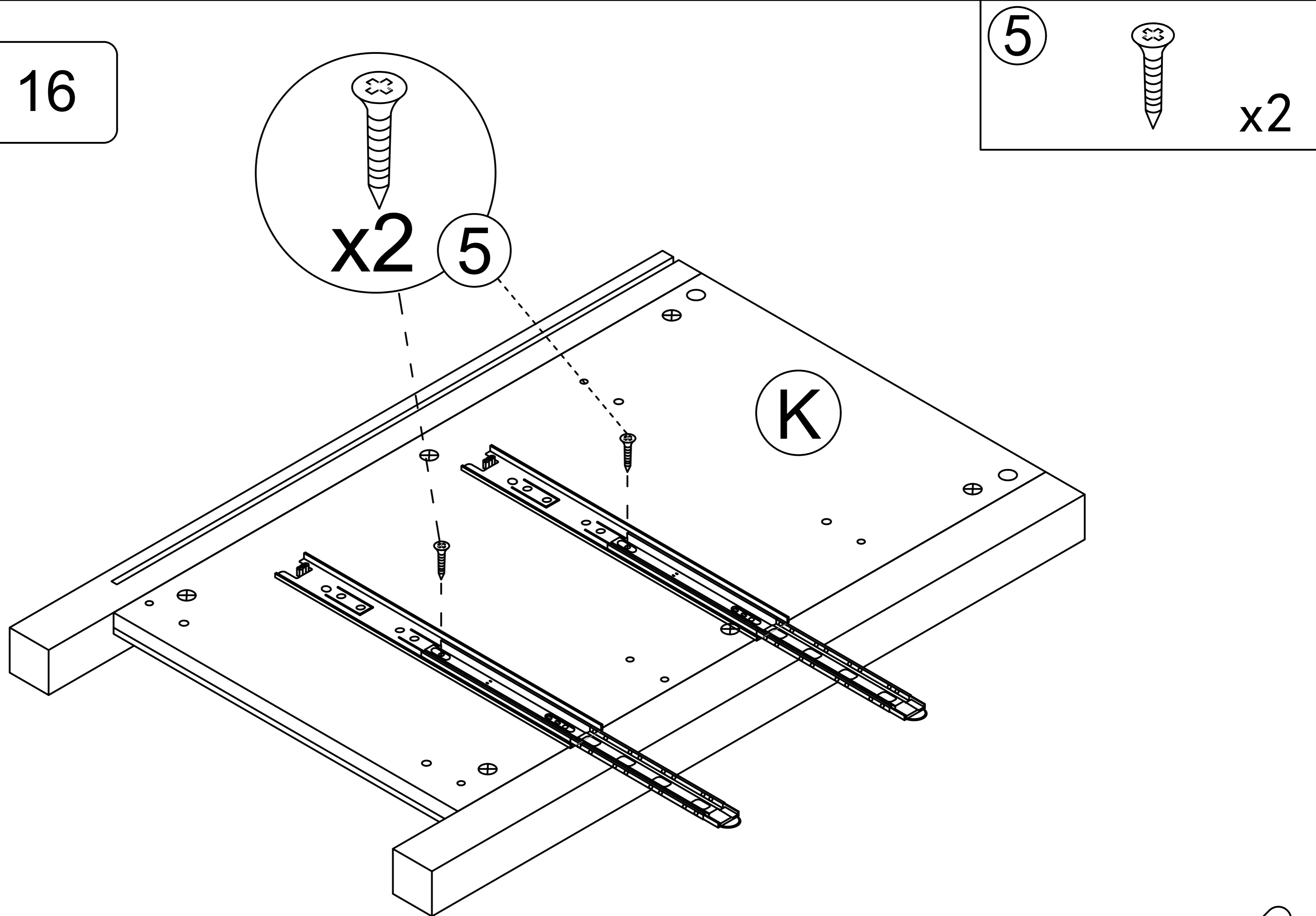


This hole is for strengthening fixed hole customers can choose to install according to their needs.

Step 15

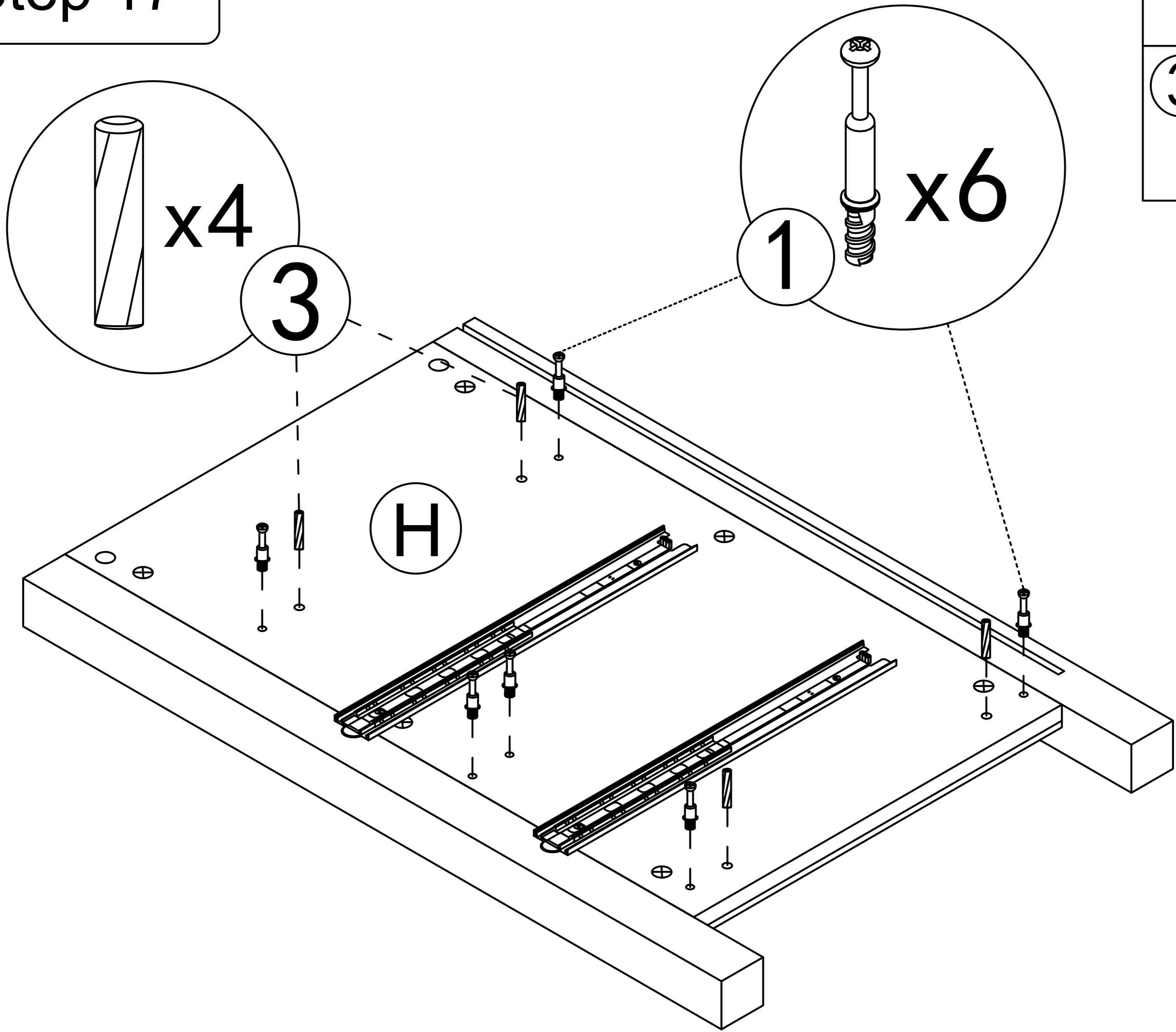


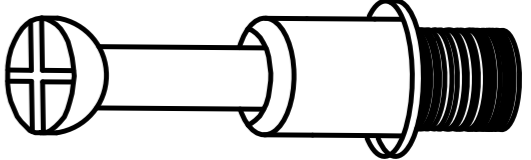
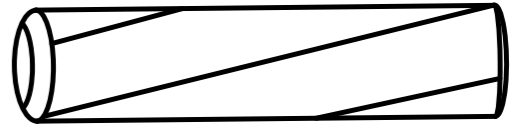
Step 16



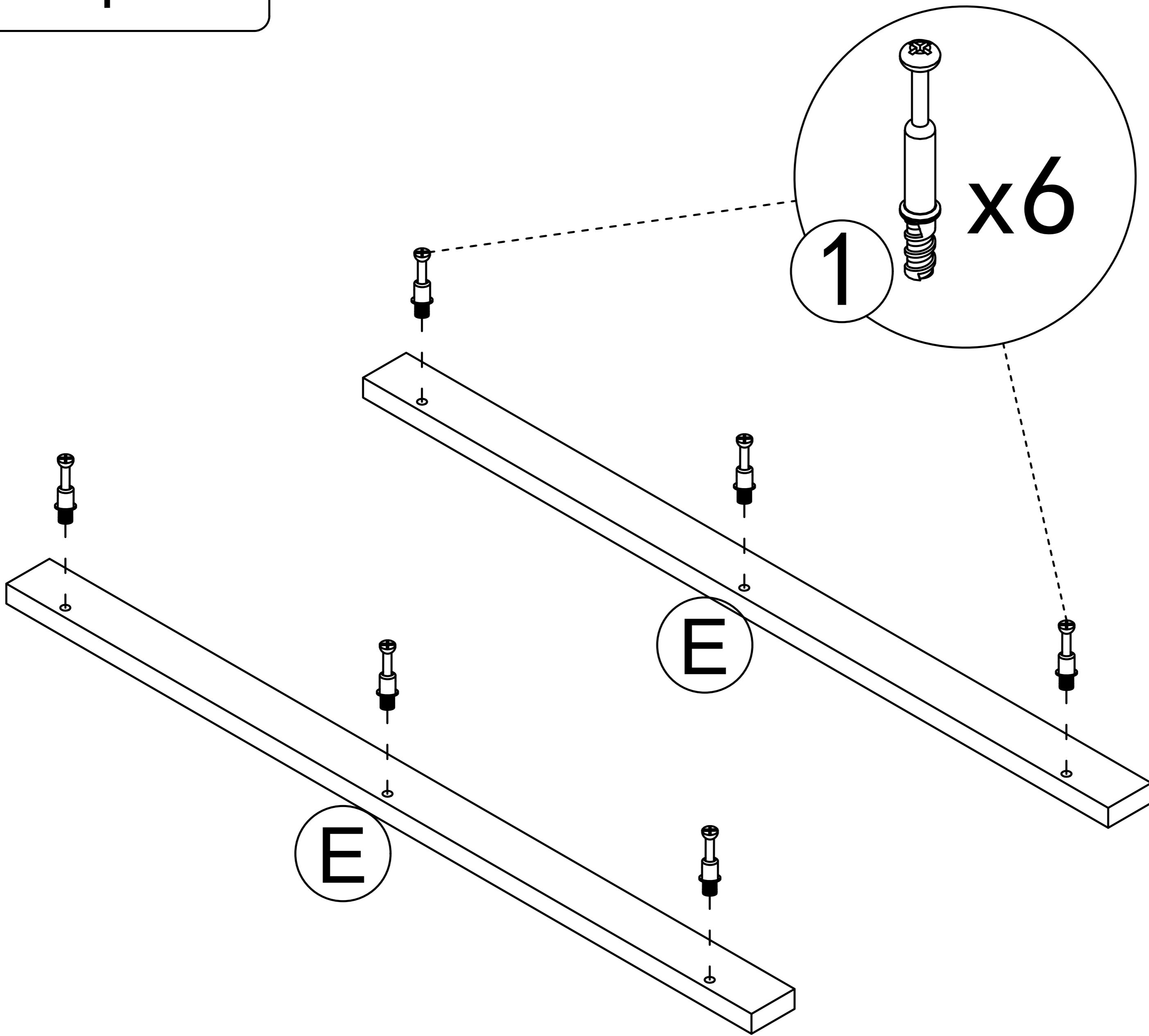
This hole is for strengthening fixed hole customers can choose to install according to their needs.

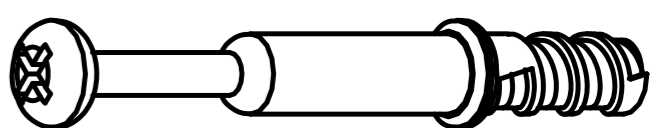
Step 17



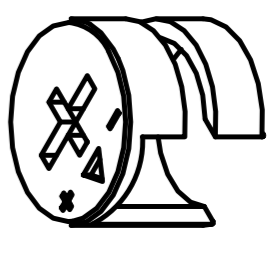
- ①  x6
- ③  x4

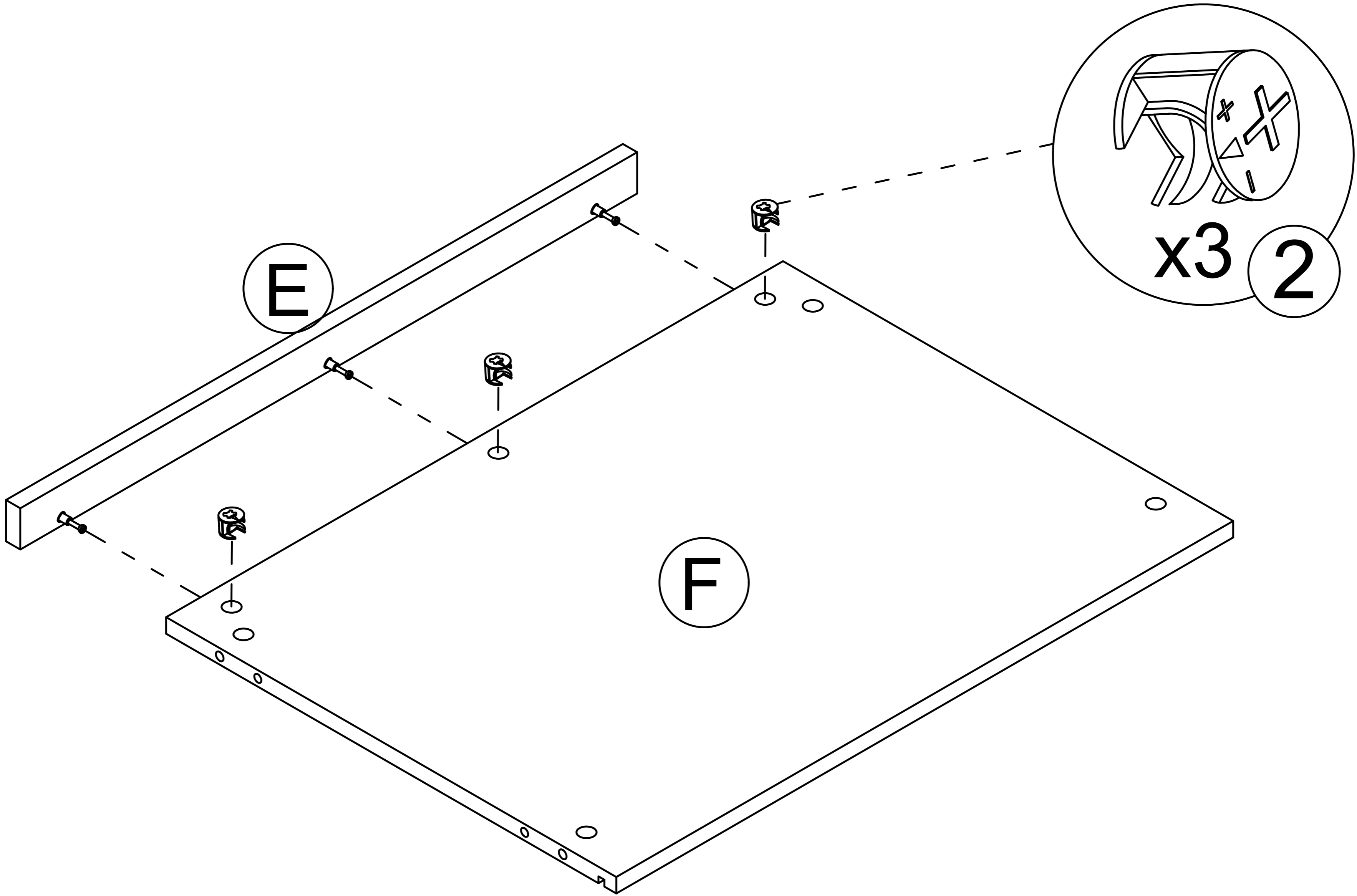
Step 18



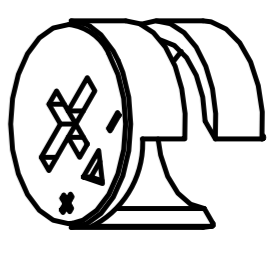
- ①  x6

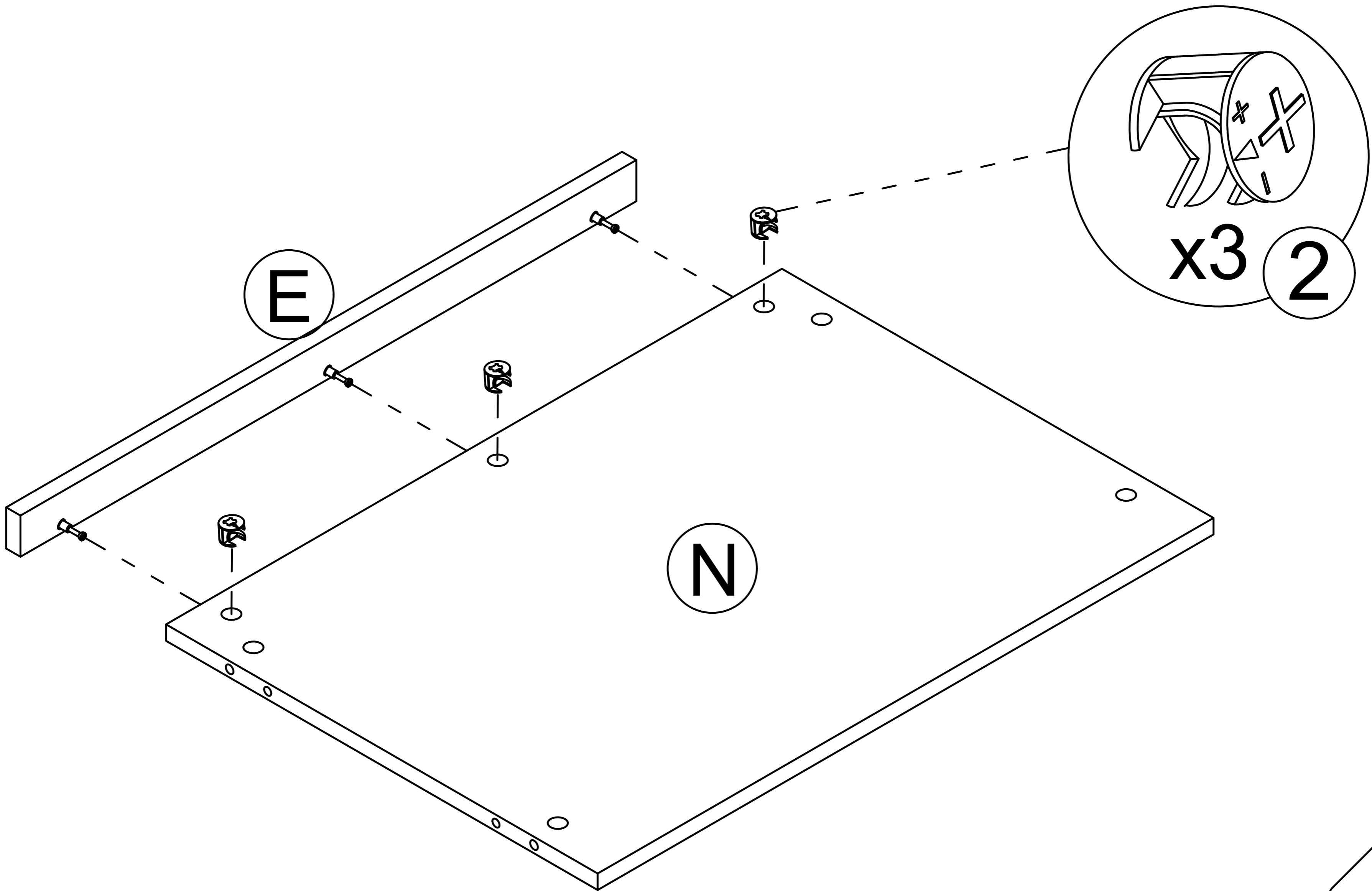
Step 19

2  x3

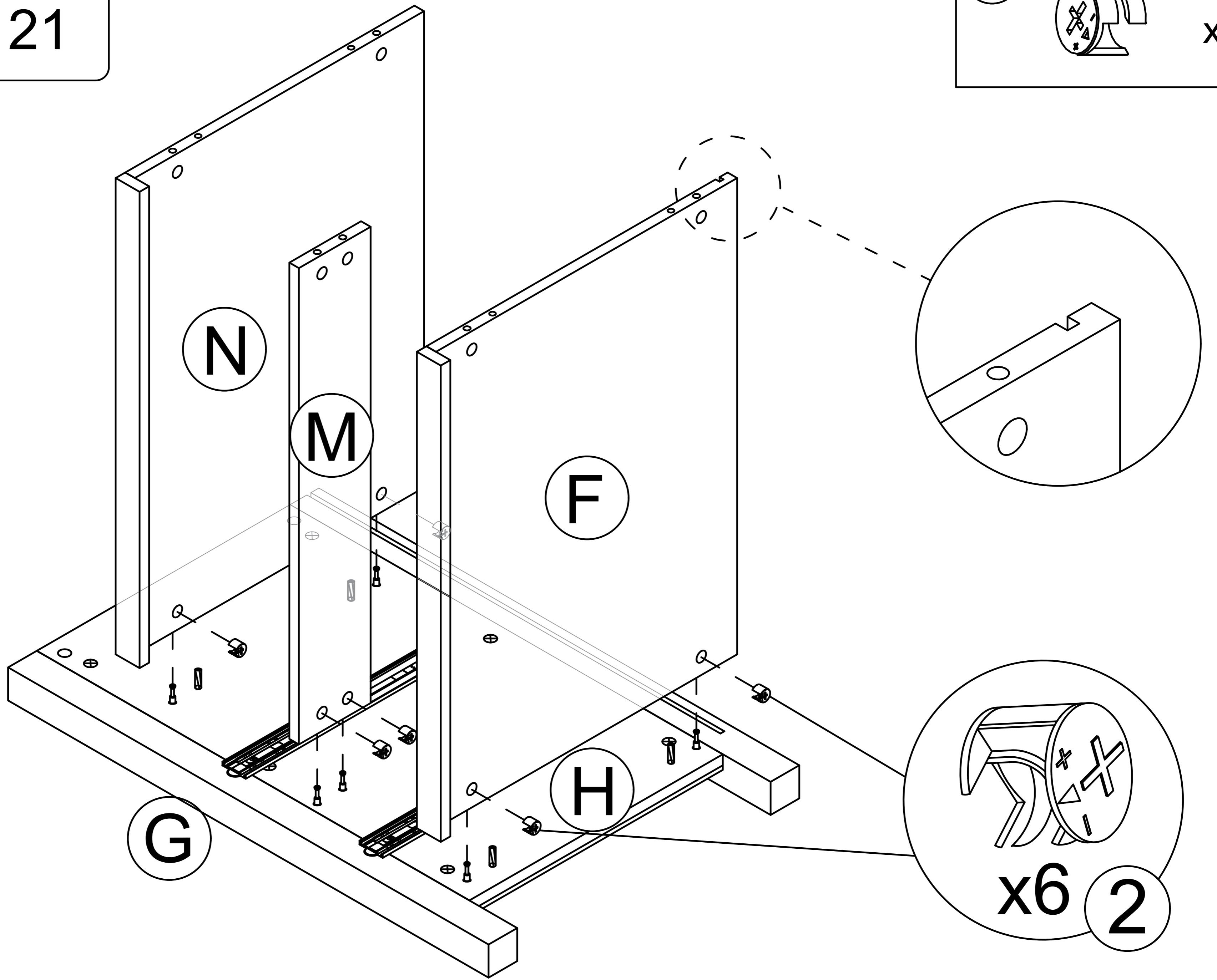
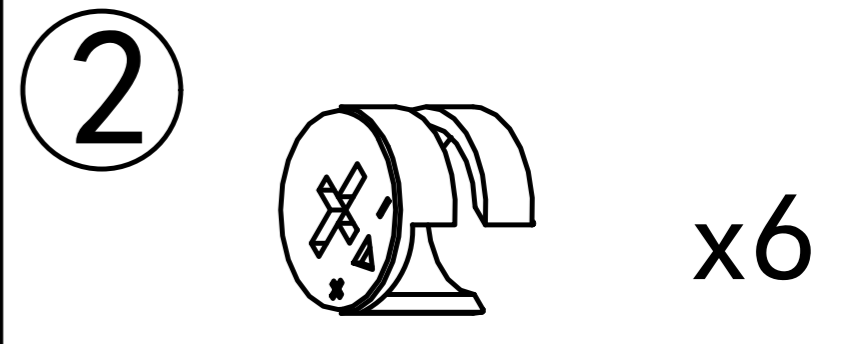


Step 20

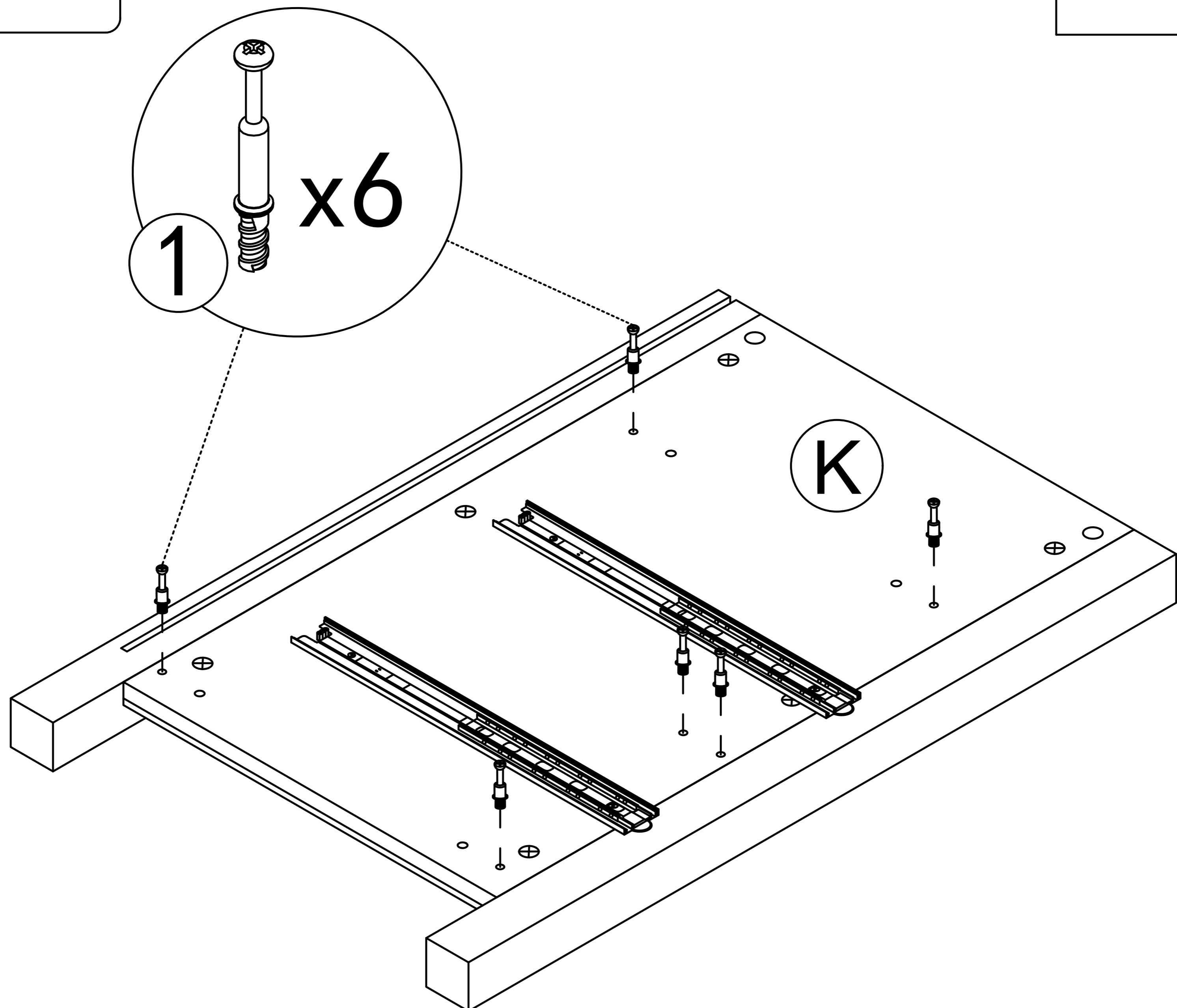
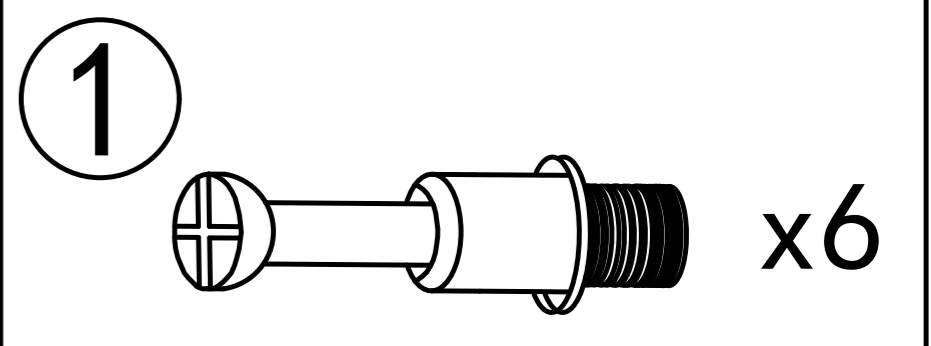
2  x3



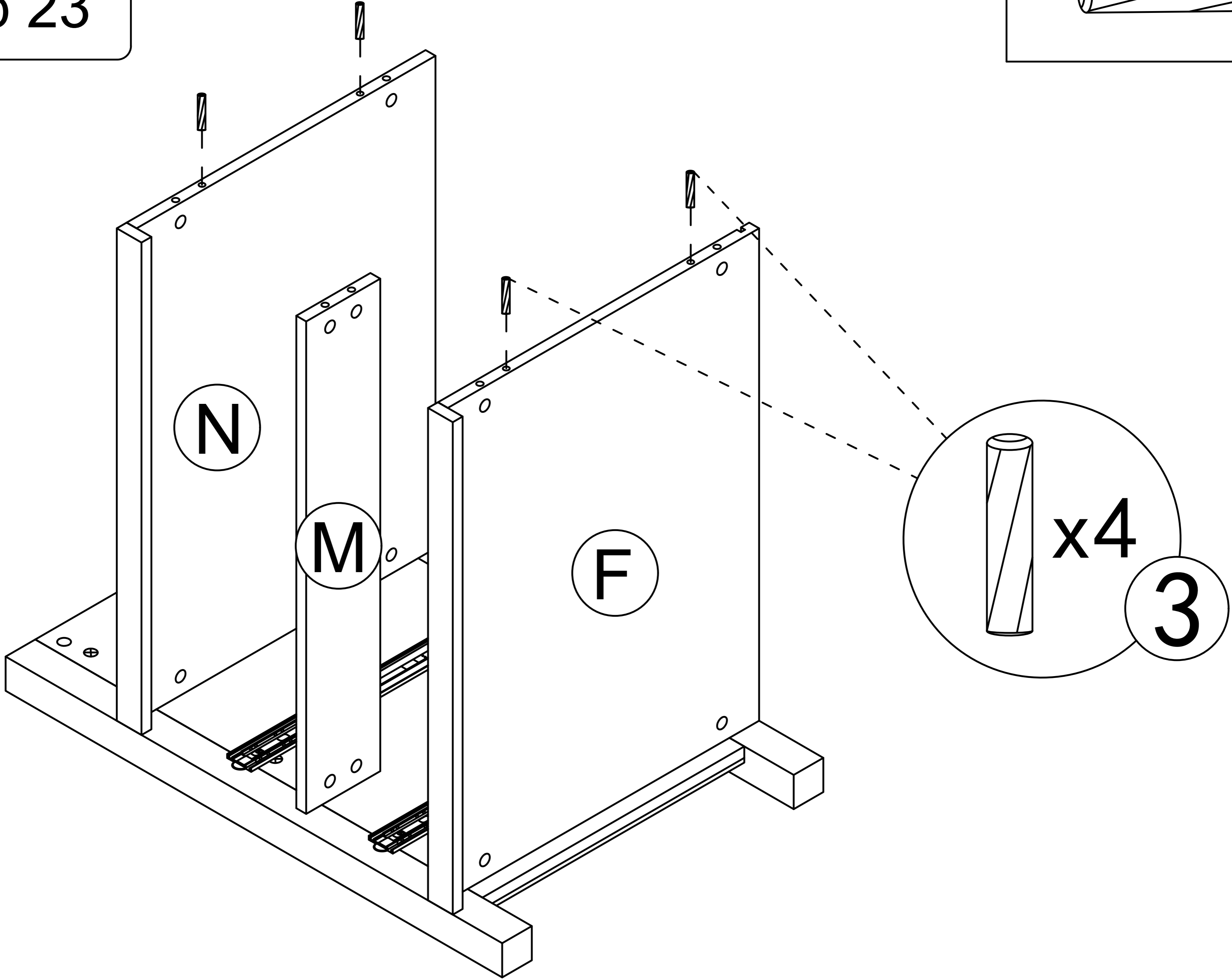
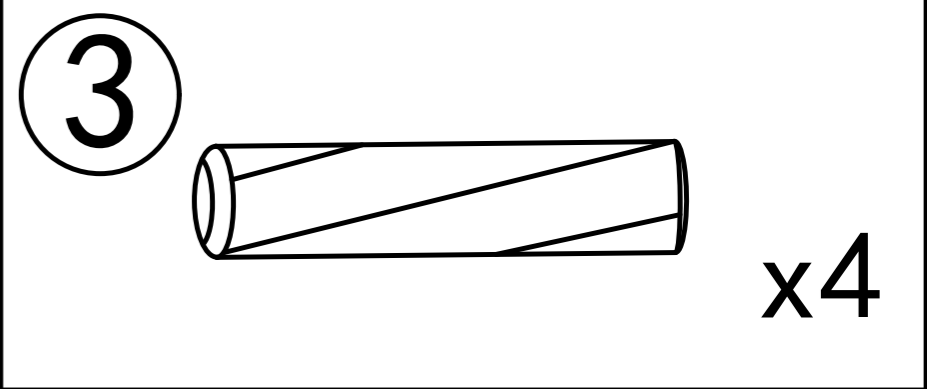
Step 21



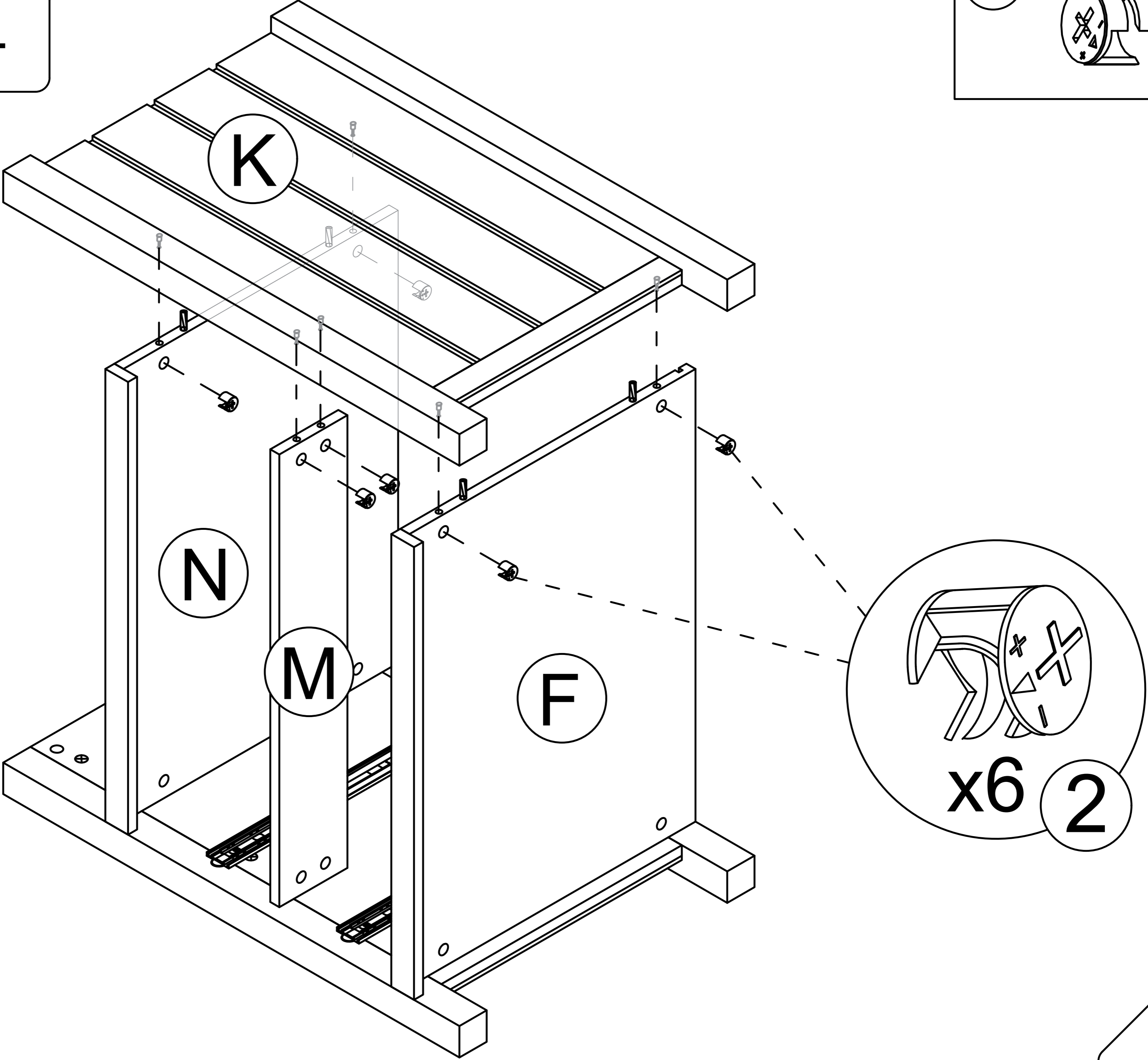
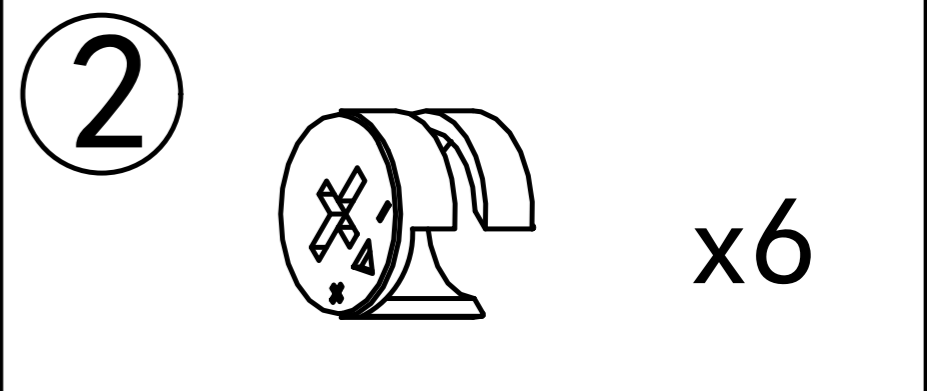
Step 22




Step 23

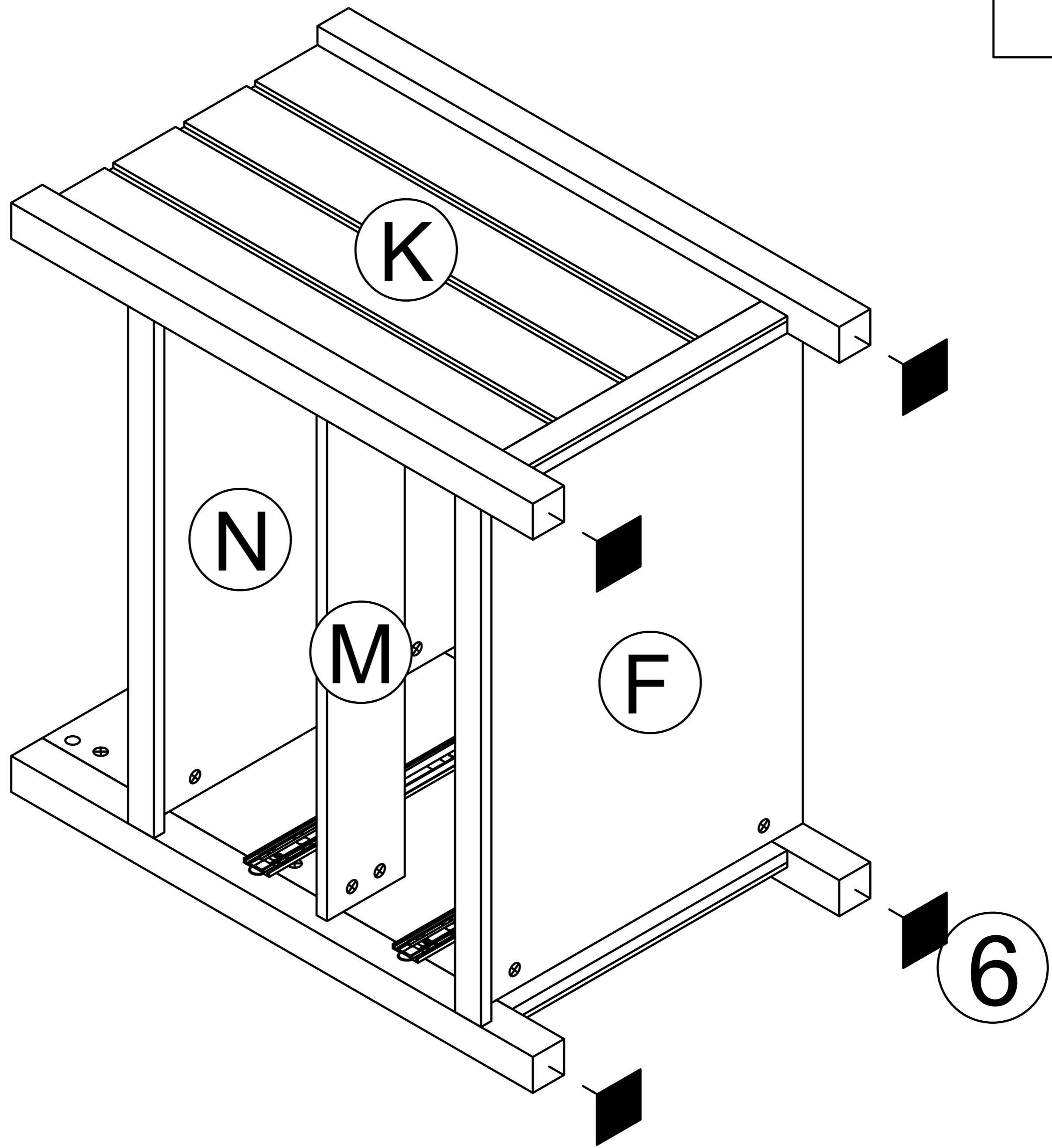


Step 24

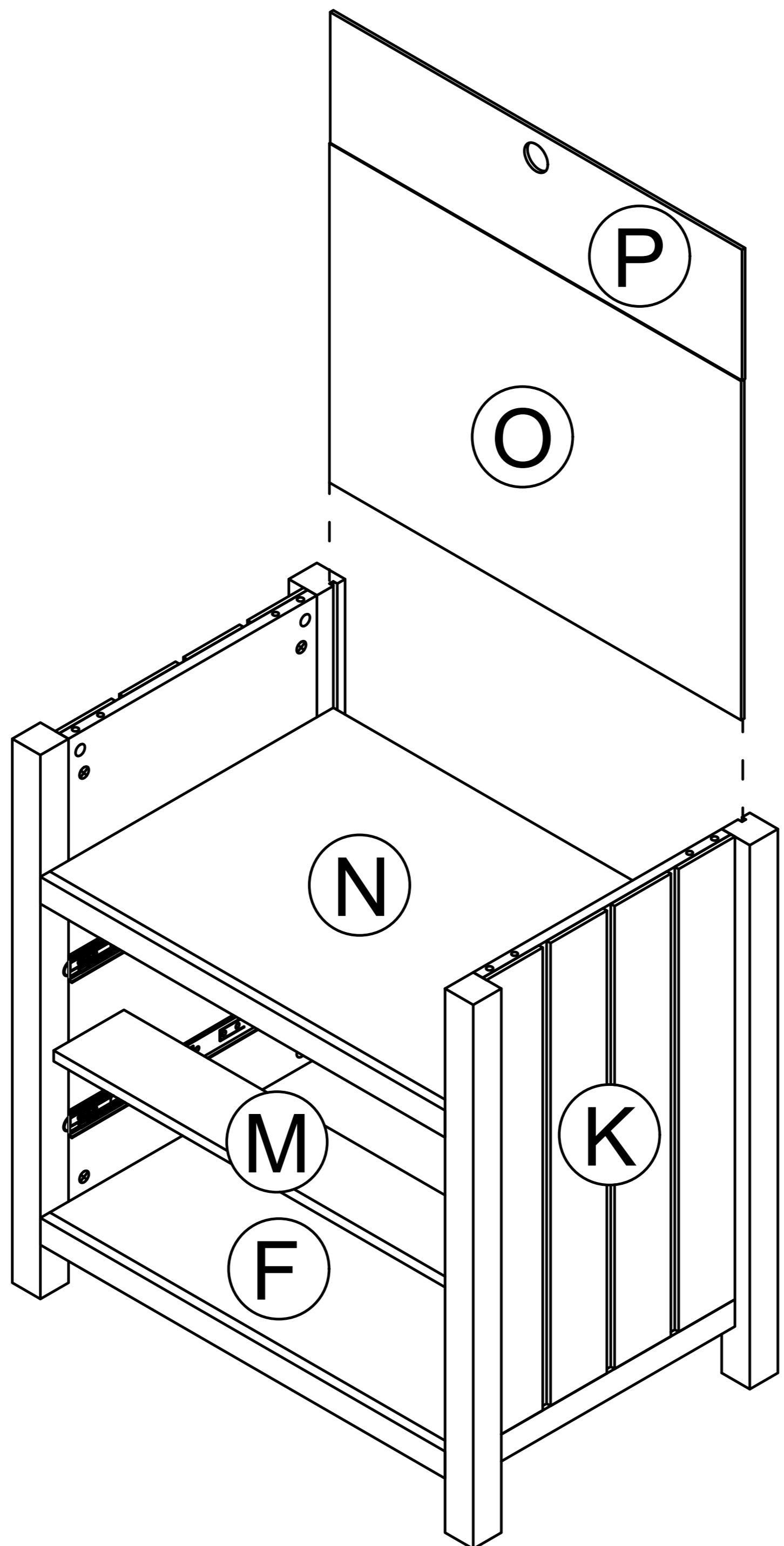


Step 25

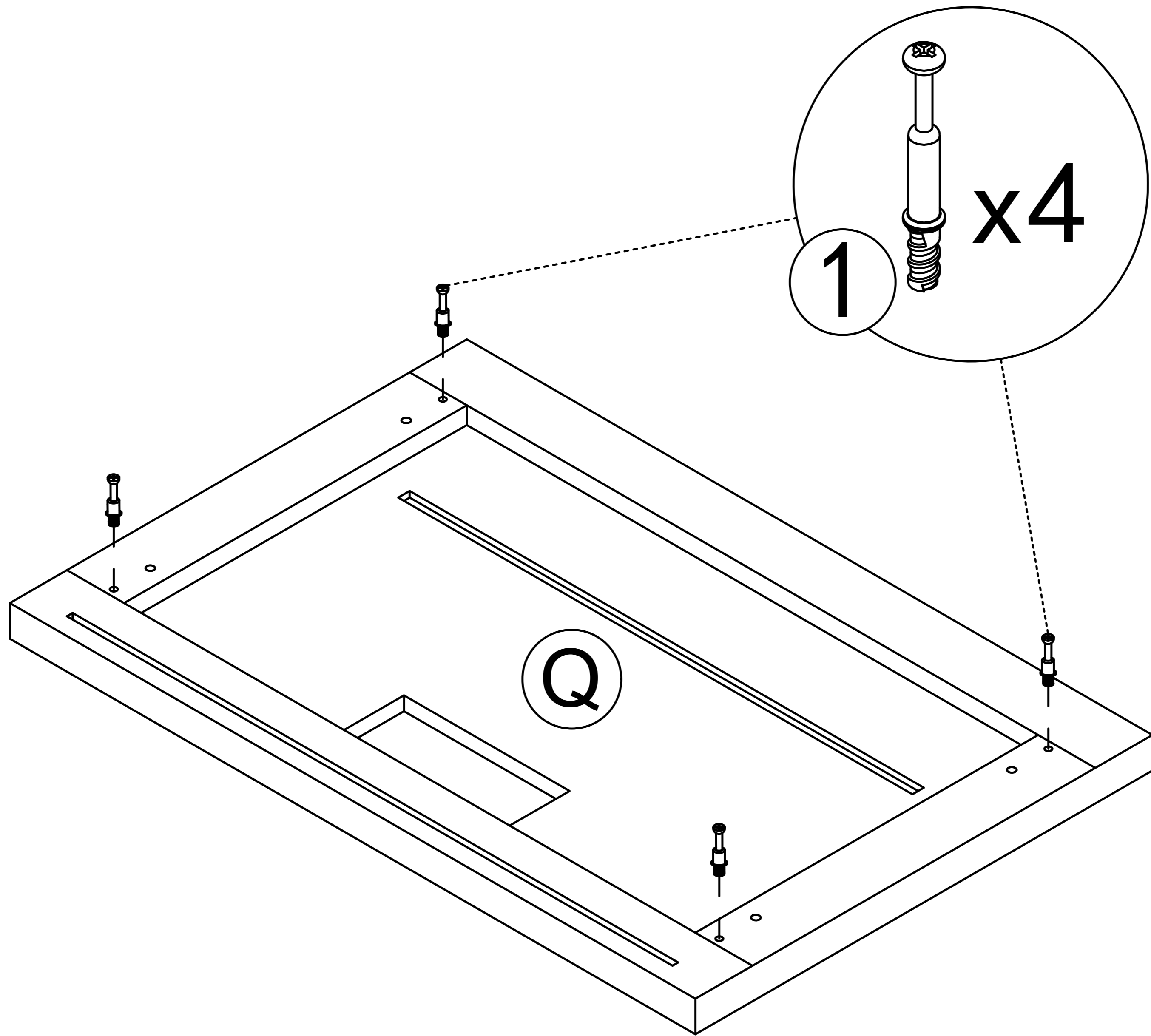
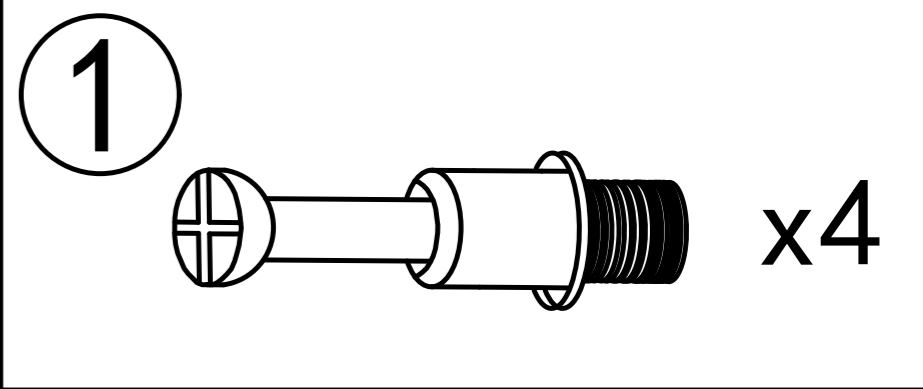
⑥  x4



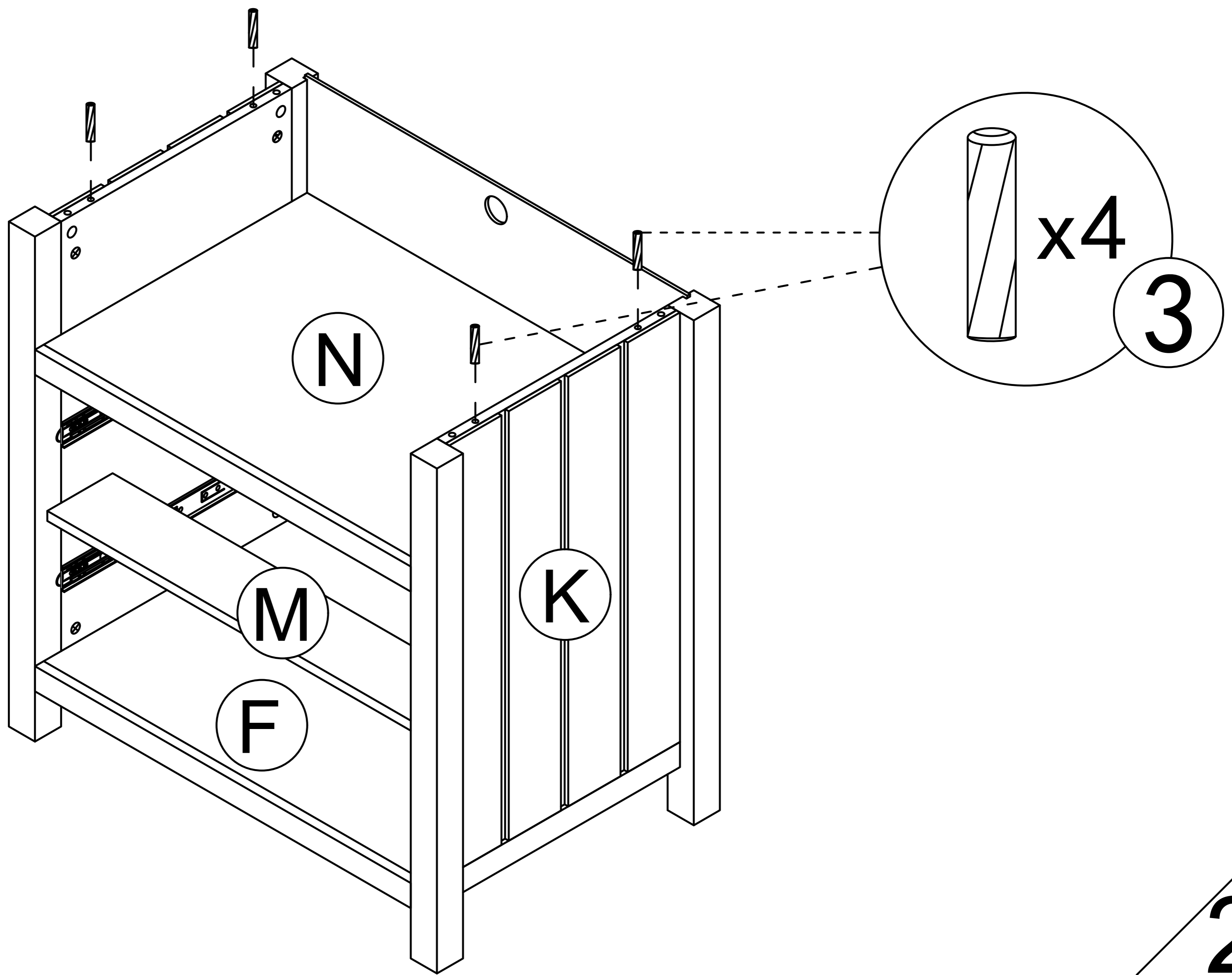
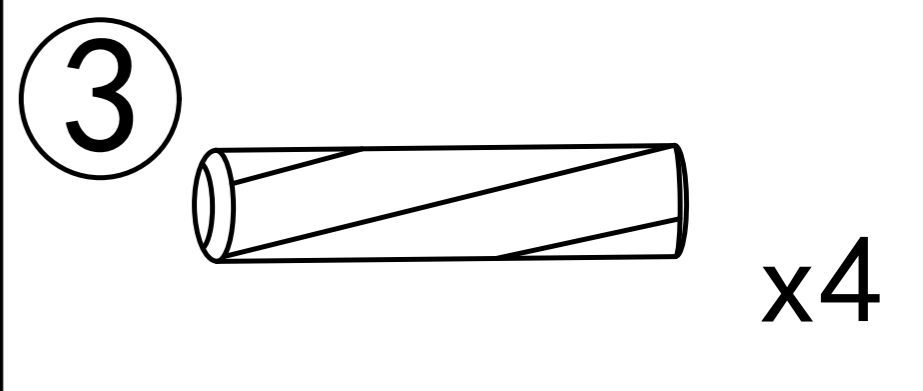
Step 26



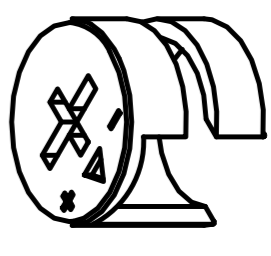
Step 27

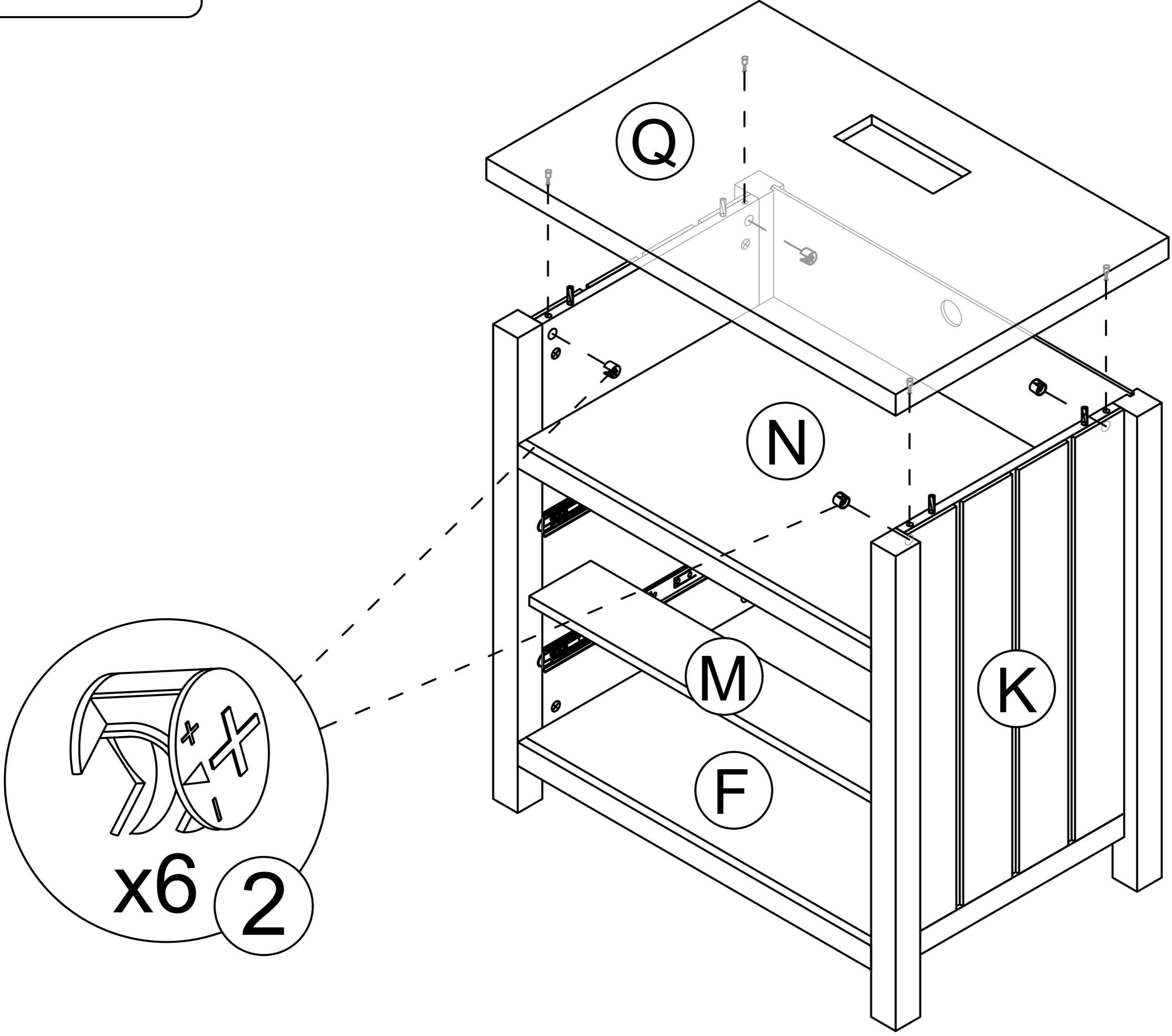


Step 28

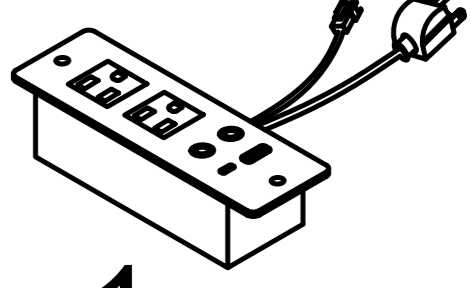
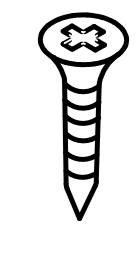


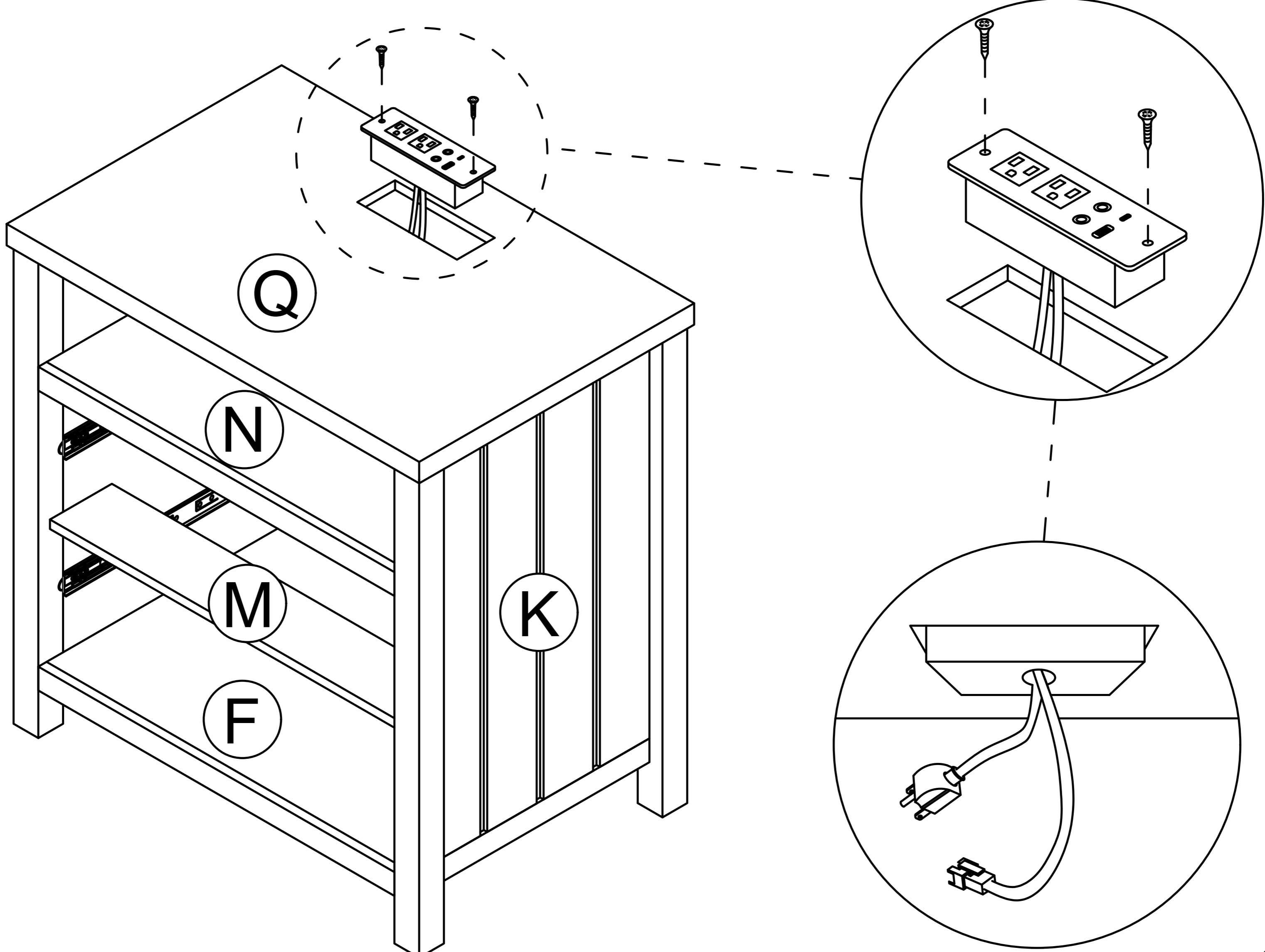
Step 29

2  x4



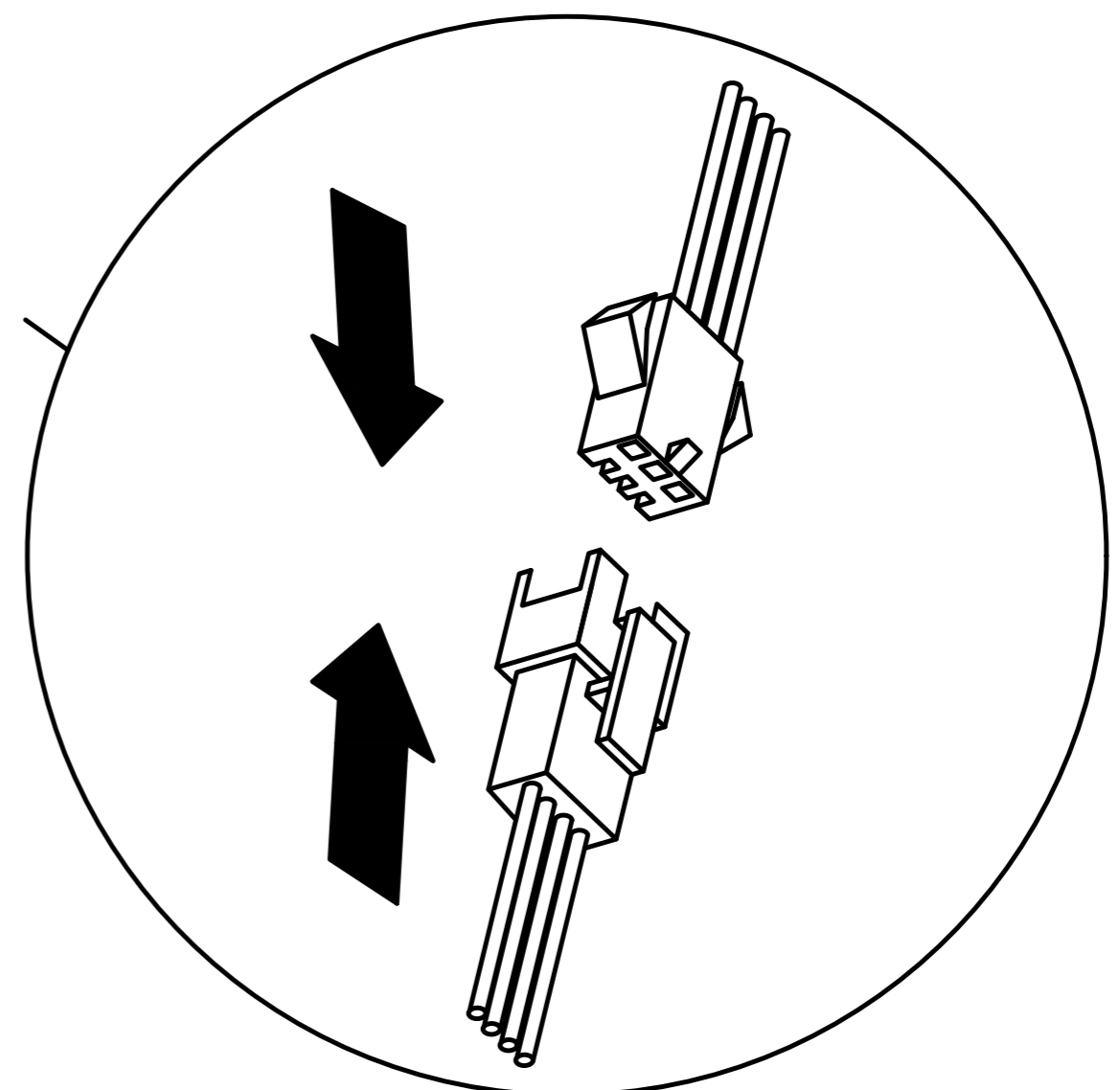
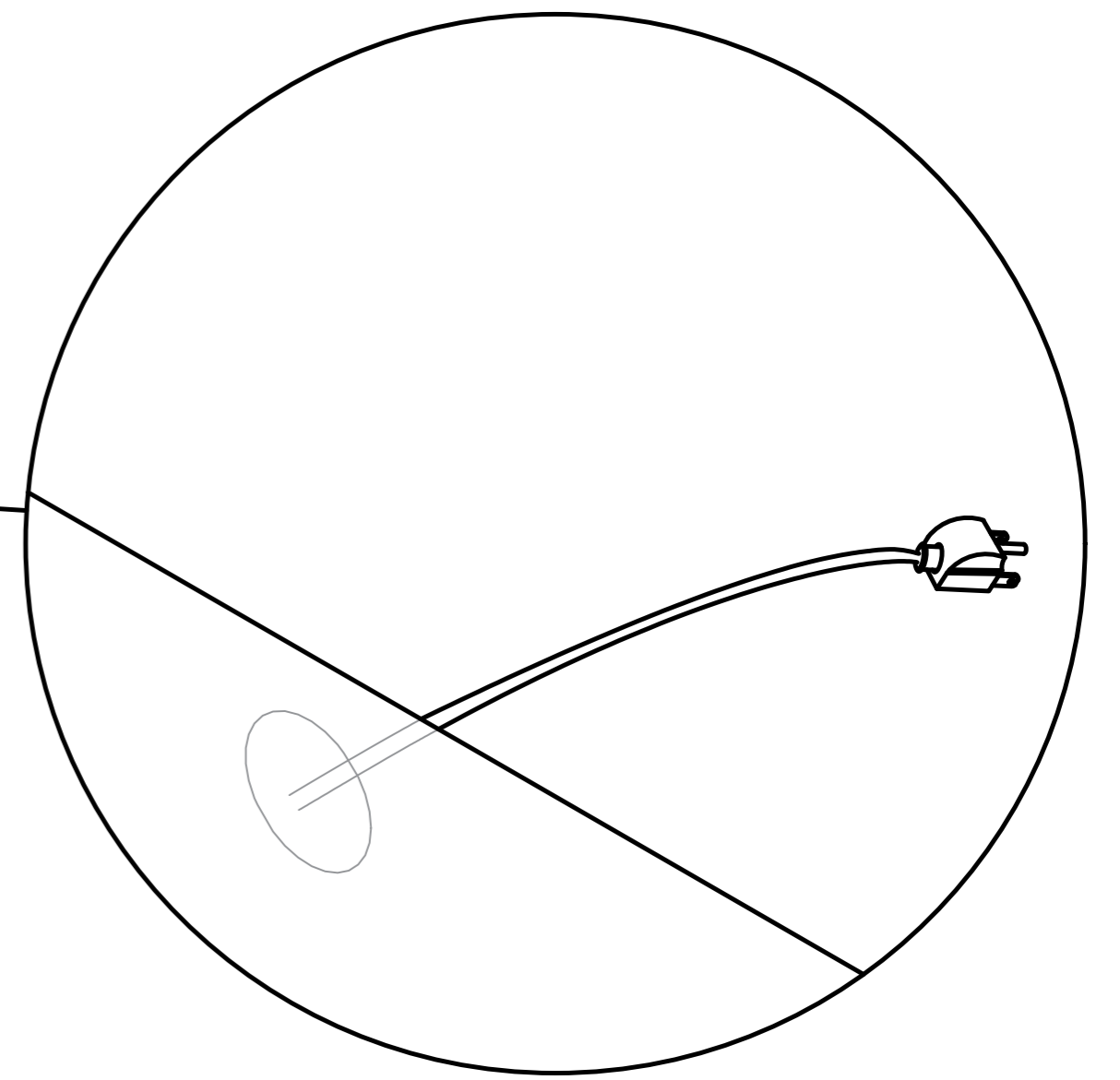
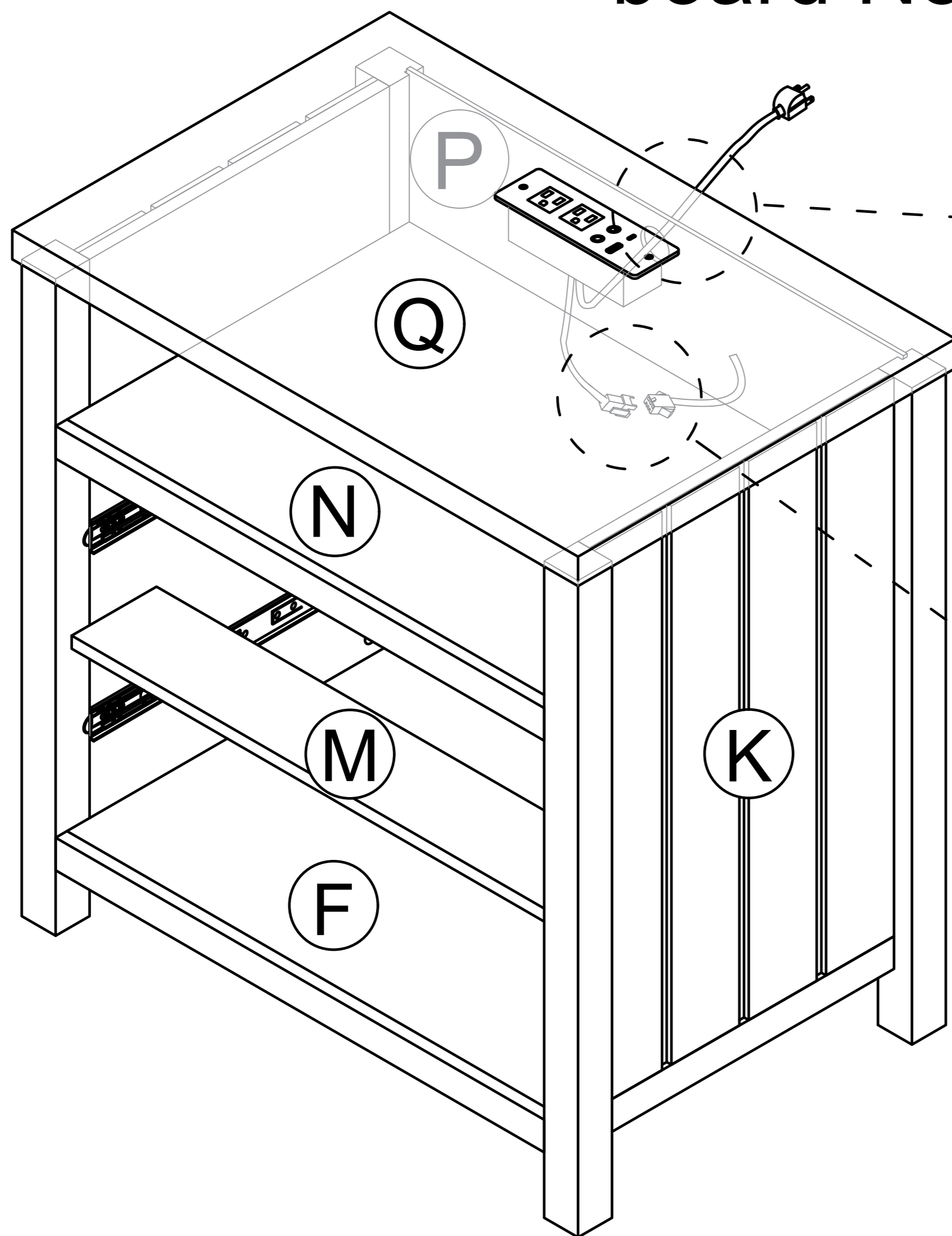
Step 30

7  x1  x2

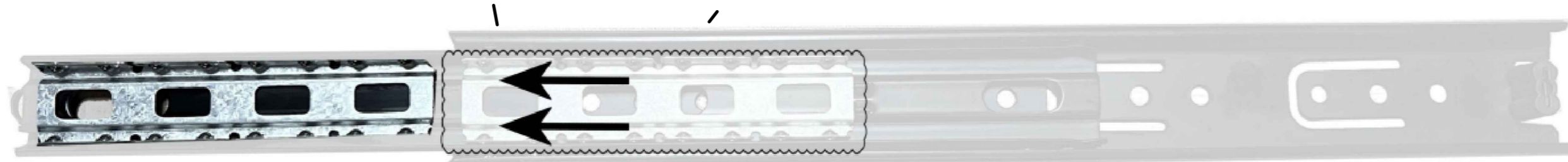
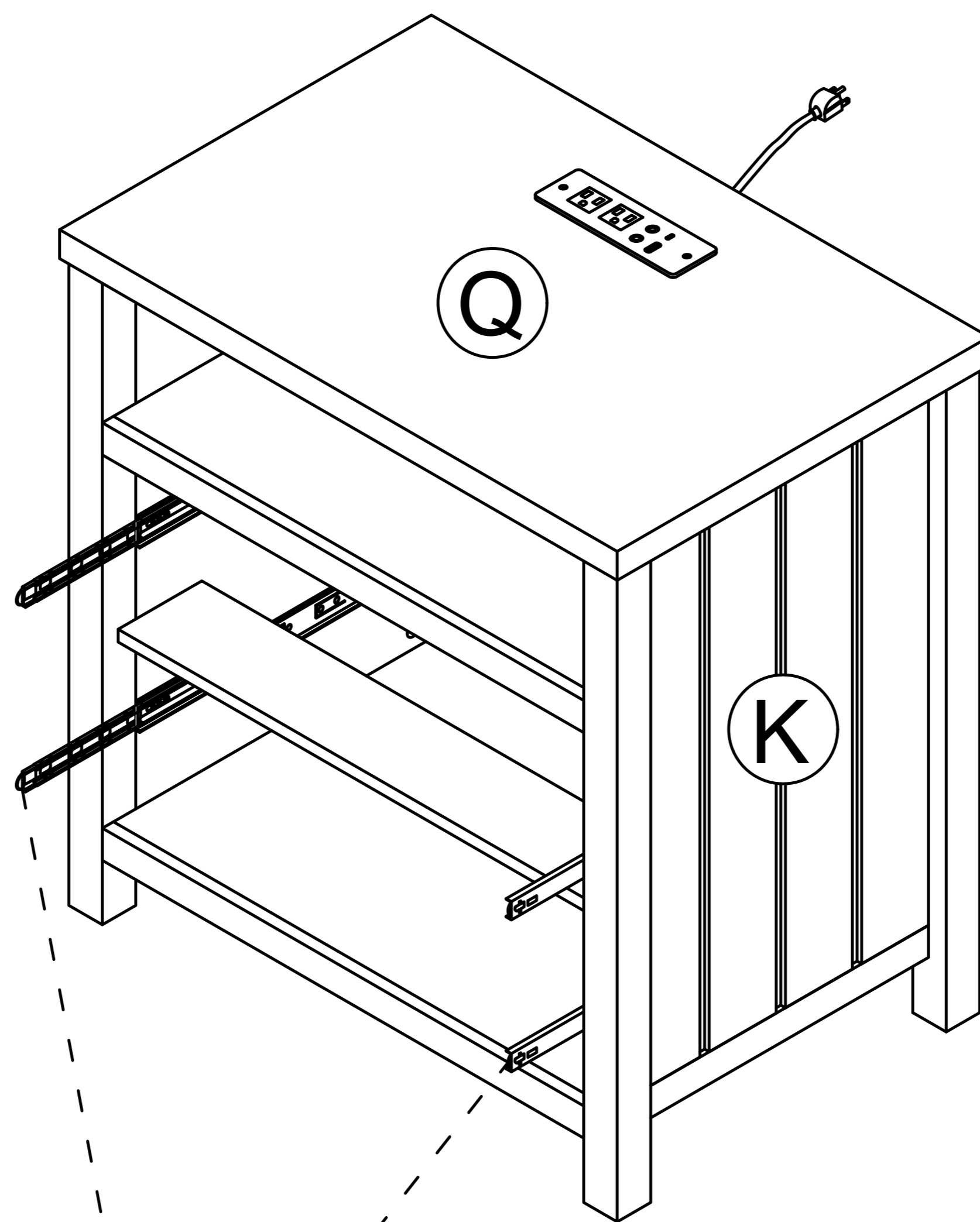


Step 31

Thread the Lamp power cord through the hole on board No. (P)

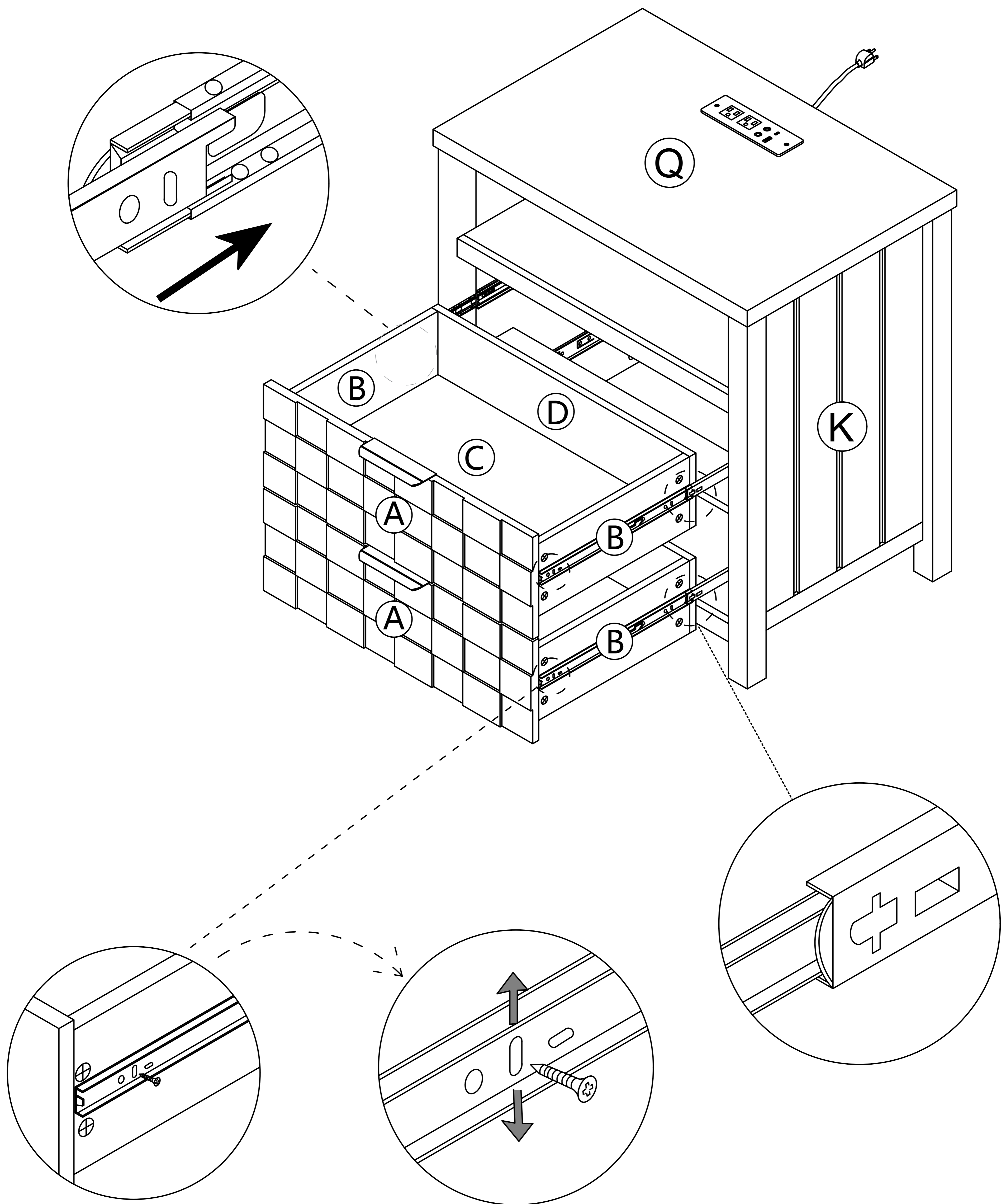


Step 32



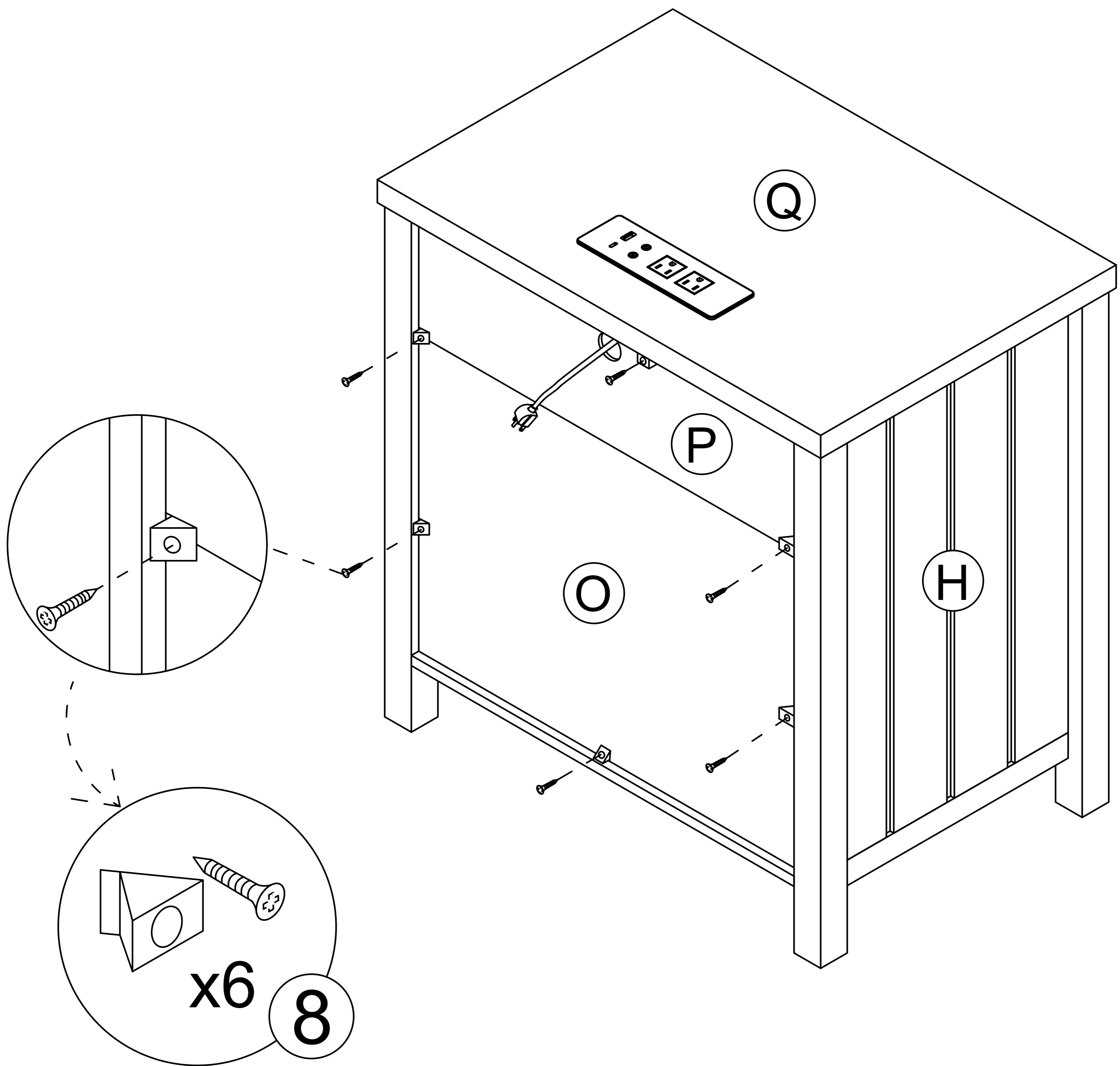
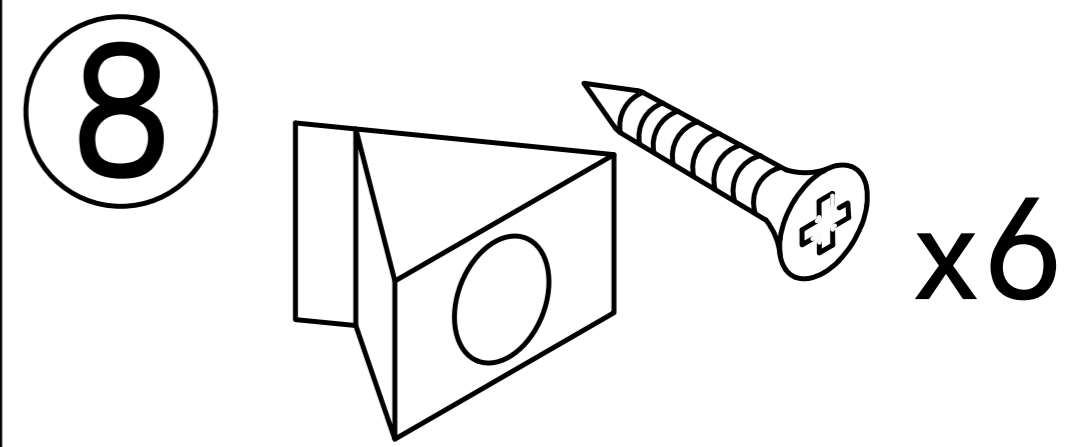
As shown, When installing the drawer, pull the guide rail out first, Slide beads are also pulled out.

Step 33



If a large gap is found after installing the drawer the slide rail can be moved up and down to adjust the gap

Step 34



User's Guide

Thank you for purchasing this product.
Please use if the product works normally after connecting to power.

Introduction

The box is an intelligent controller.

It has 1 USB-A output port 1 Type-c output port and 2 socket.

With 2 touch buttons, it can turn. ON/OFF the light,adjust the light luminance,
and change light colors.



Operation



This touch button is used to turn on/off, and adjust brightness.

- A. Short touch ->lighting on ->short touch ->lighting off(It stays as it was before the last time the lights went out).
- B. Long touch -> adjust the luminance.



This touch button is used to change colors.

When the light is turned on, press this button to realize the three-color switching function ,
and this touch key is invalid when the light is not turned on.



ATTENTION PLEASE

1. If there is no touch response suddenly, Re-plug the power to reset the touch static electricity.
2. If you have any questions when installing, please feel free to contact us. Thank you.

