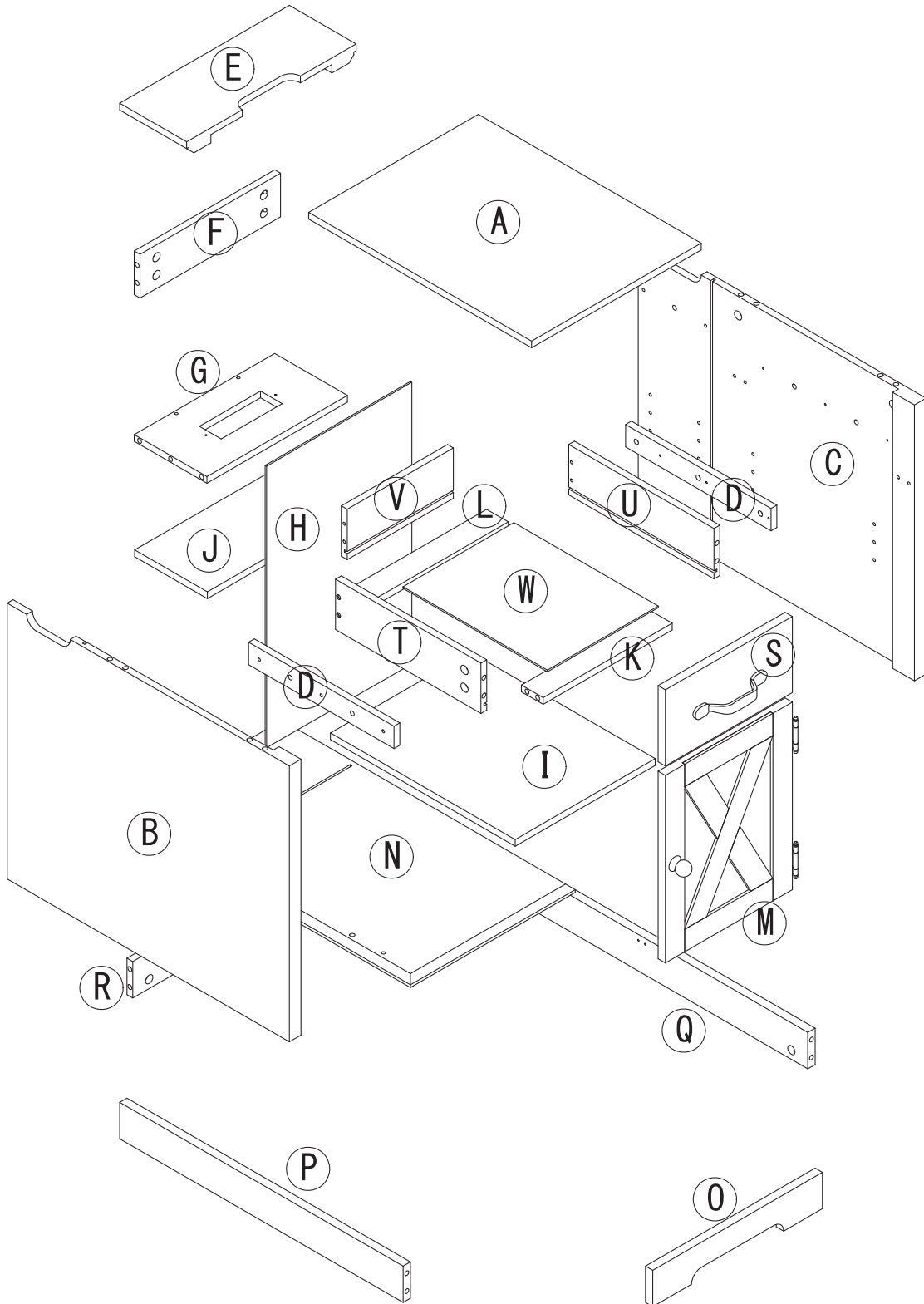


BESIDE TABLE

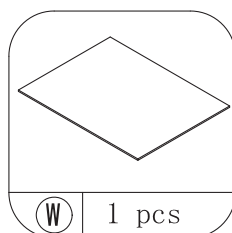
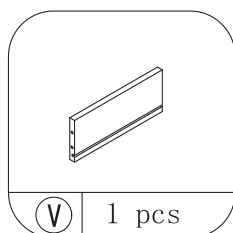
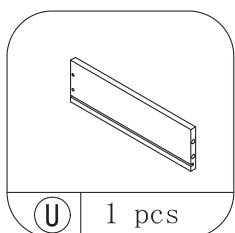
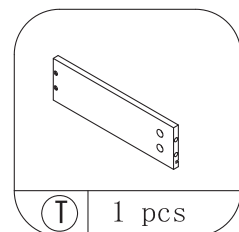
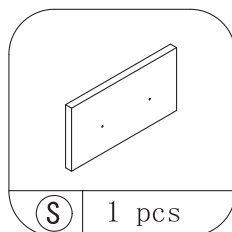
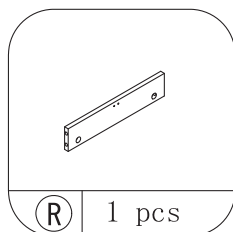
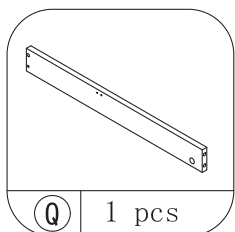
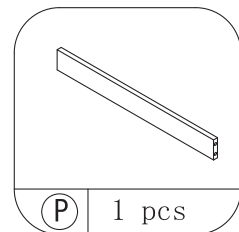
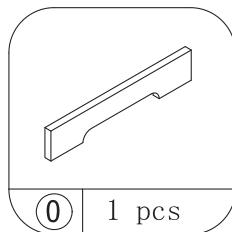
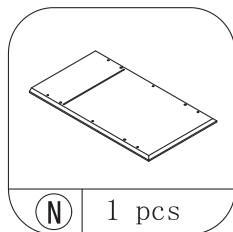
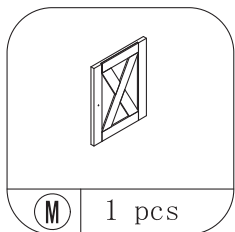
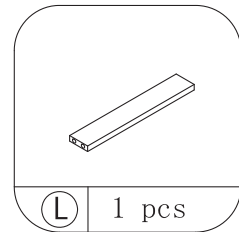
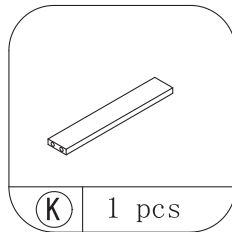
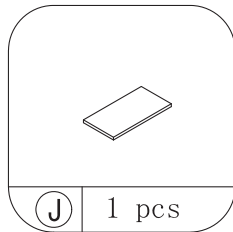
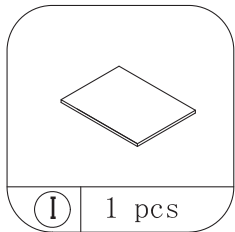
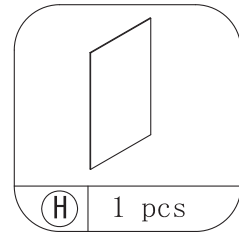
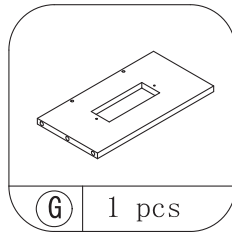
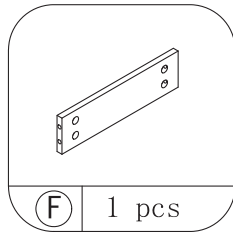
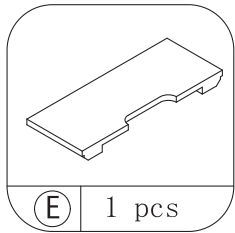
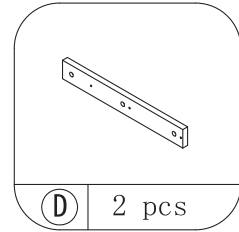
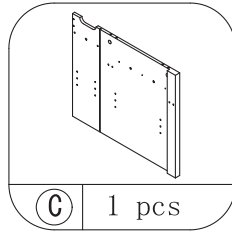
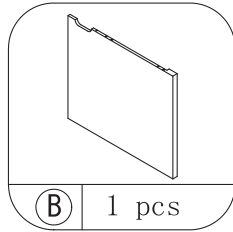
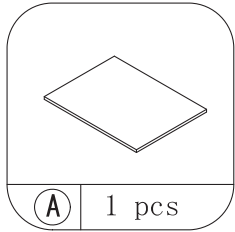
USER MANUAL

1







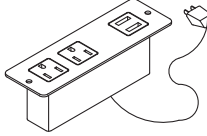
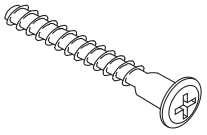
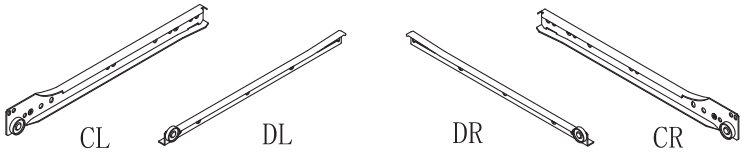
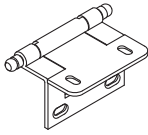
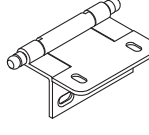

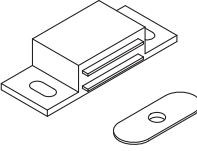
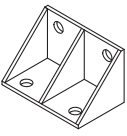
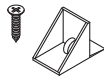

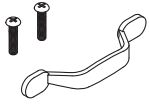
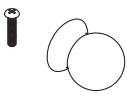
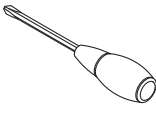

ASSEMBLY INSTRUCTIONS



PACKAGING LIST

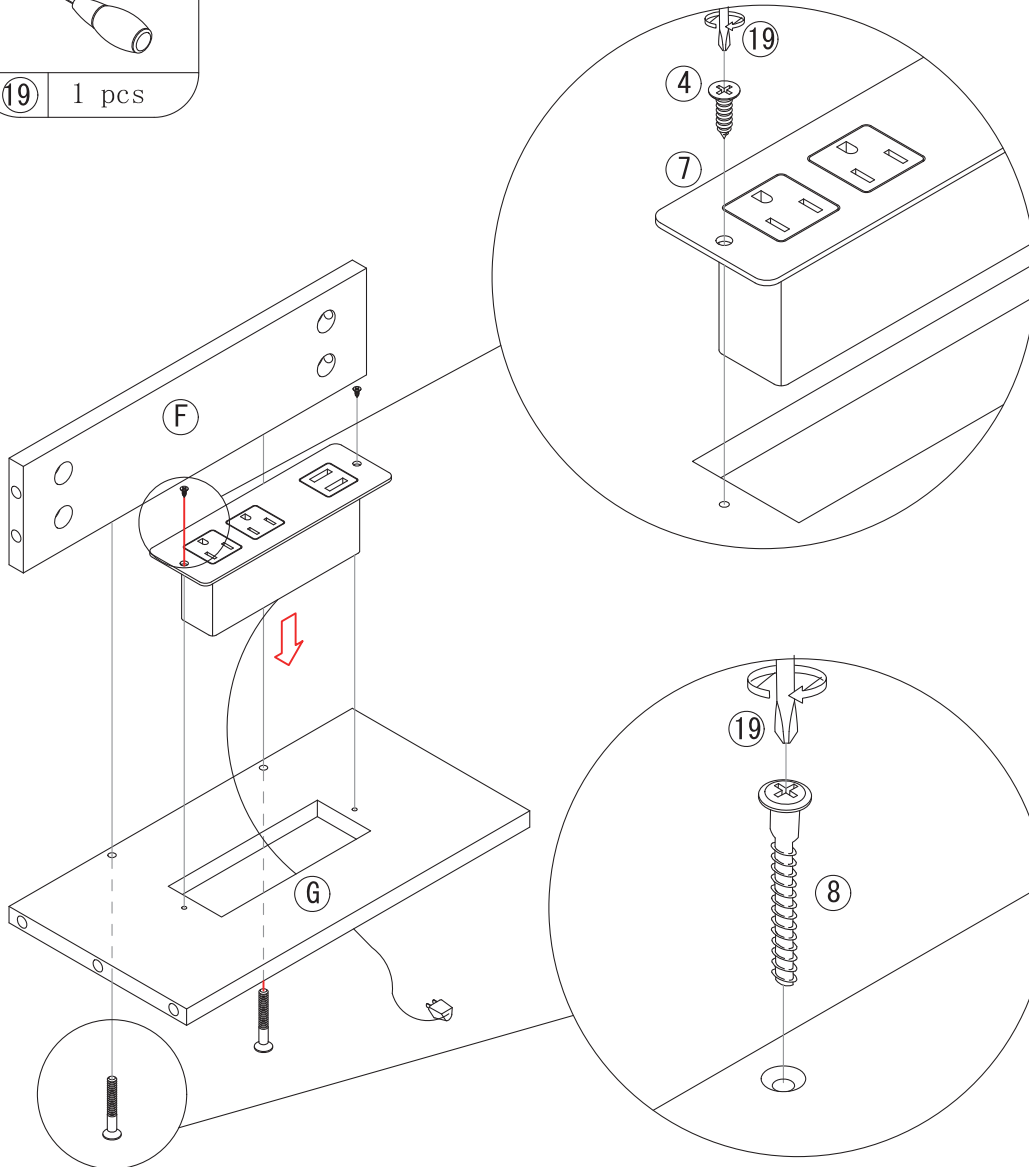
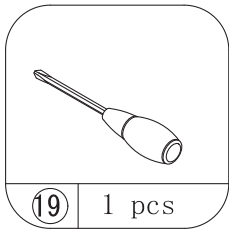
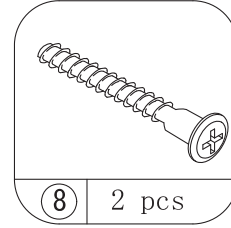
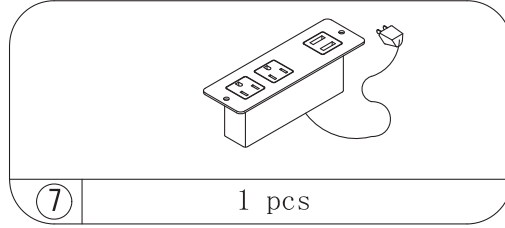
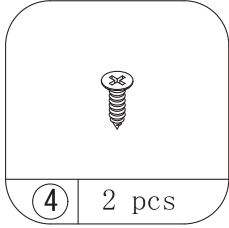


PACKAGING LIST

 ① 28+3 pcs	 ② 28+3 pcs	 ③ 14+2 pcs	 ④ 49+5 pcs
 ⑤ 6+1 pcs	 ⑥ 4+1 pcs	 ⑦ 1 pcs	
 ⑧ 8+1 pcs	 ⑨ 1 pcs		
 ⑩ 2 pcs	 ⑪ 2 pcs	 ⑫ 4+1 pcs	 ⑬ 1 pcs
 ⑭ 4+1 pcs	 ⑮ 4+1 pcs	 ⑯ 8+1 pcs	 ⑰ 1 pcs
 ⑱ 1 pcs	 ⑲ 1 pcs	 ⑳ 1 pcs	

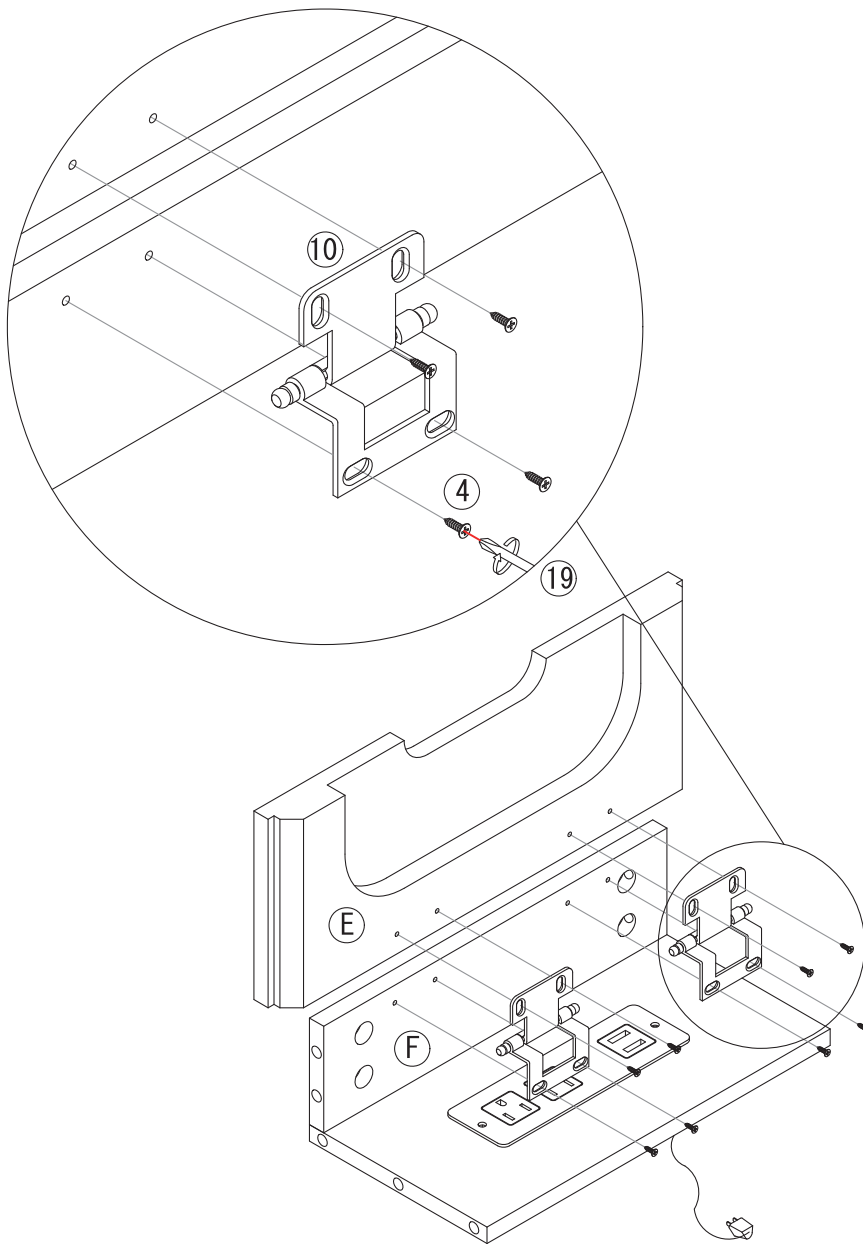
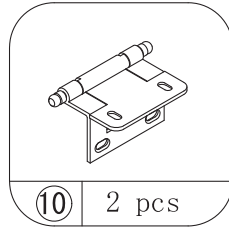
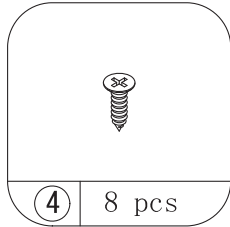
4

STEP 1



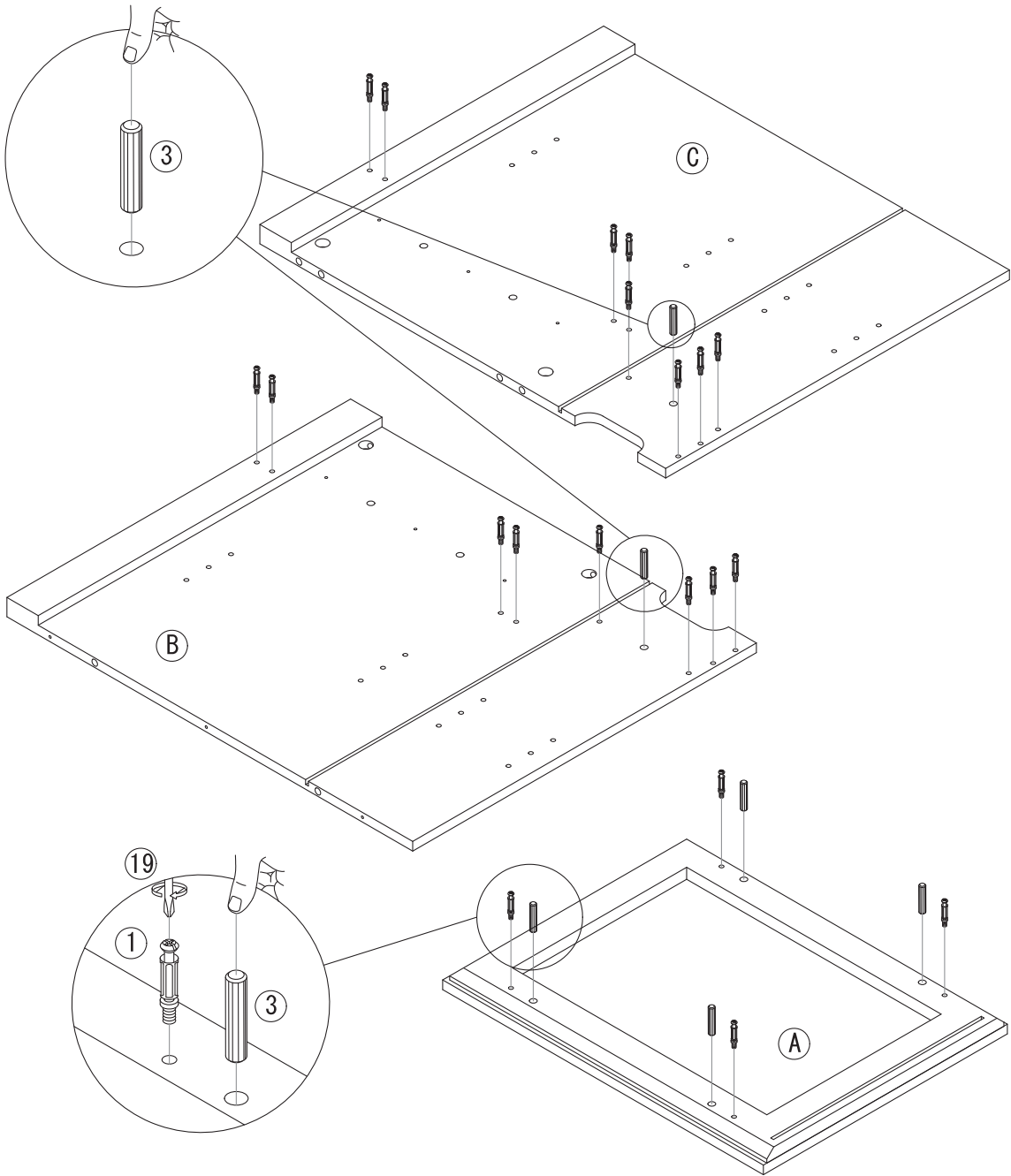
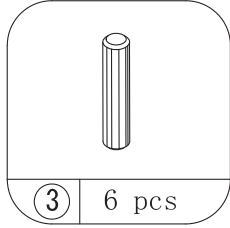
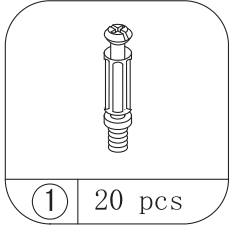
5

STEP 2



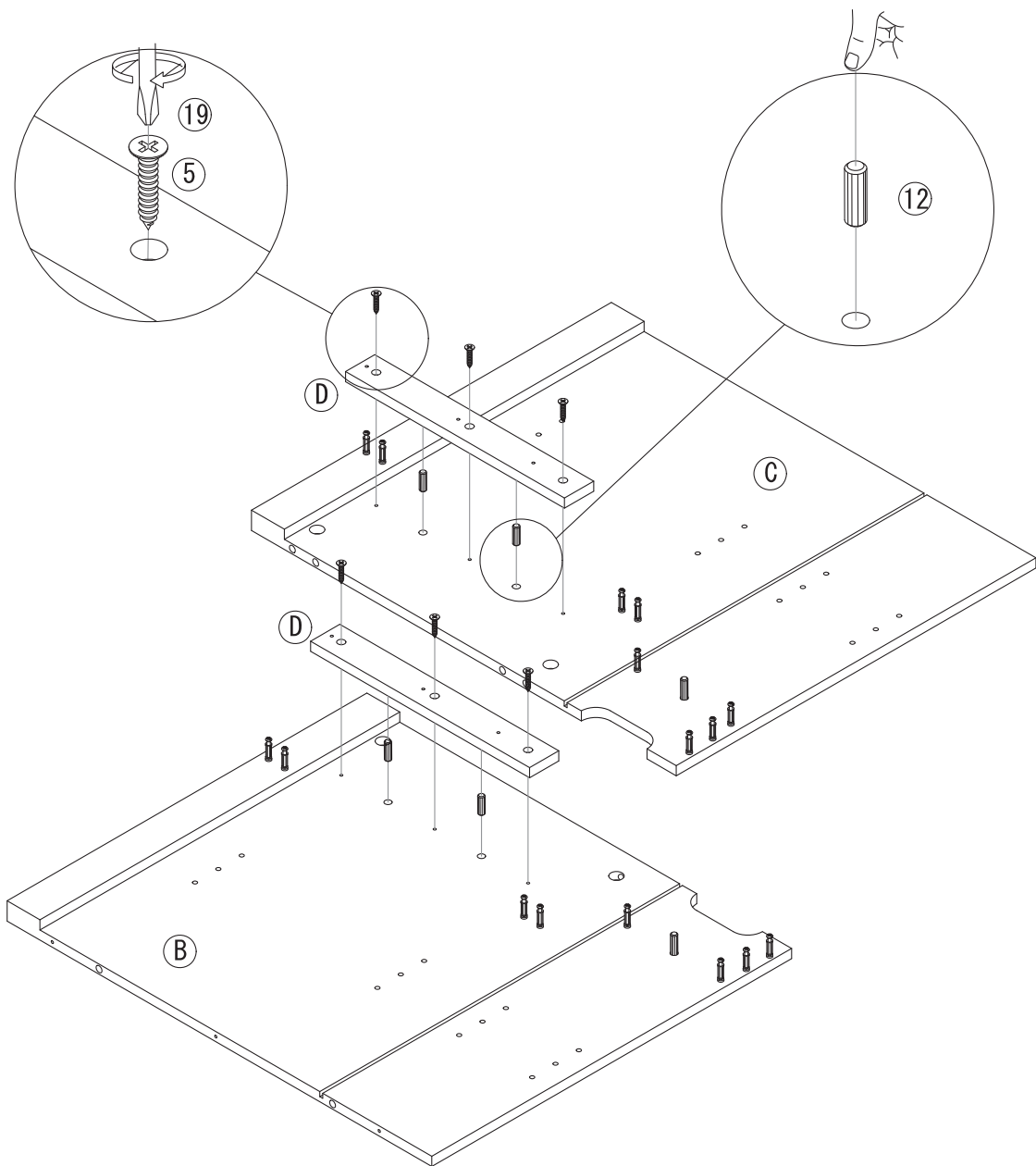
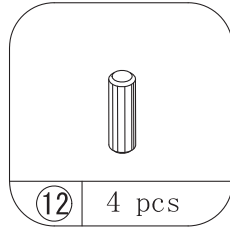
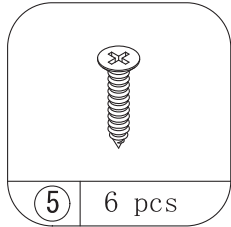
6

STEP 3



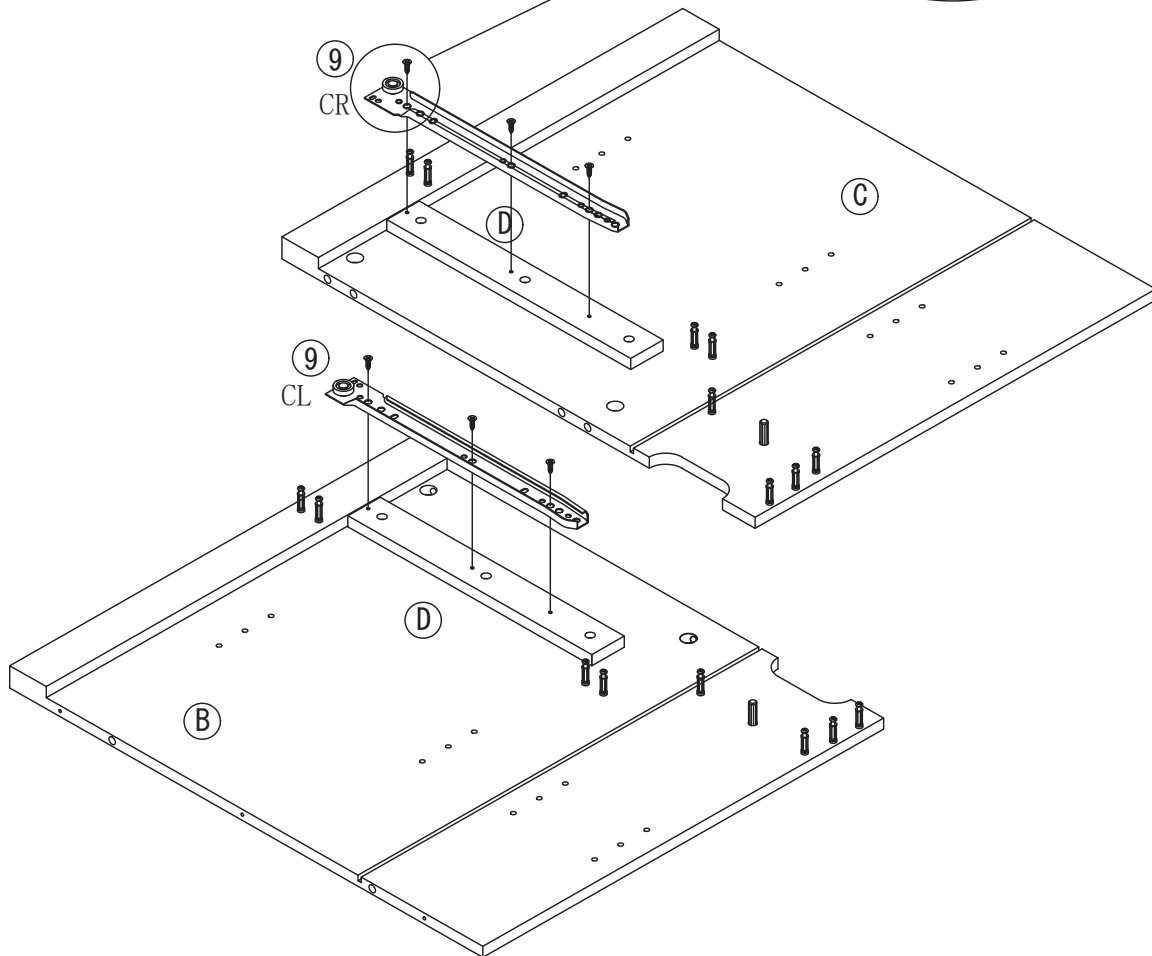
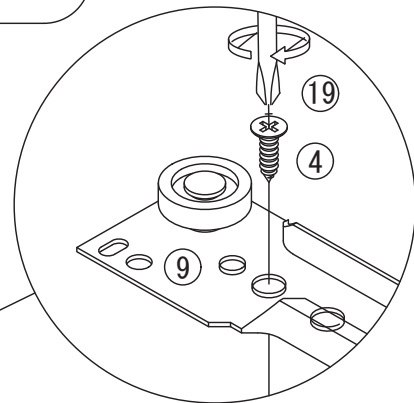
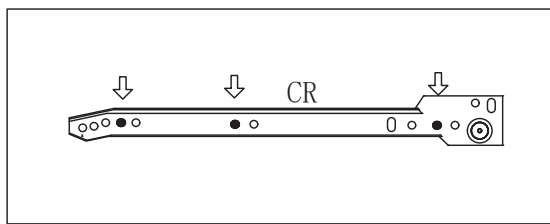
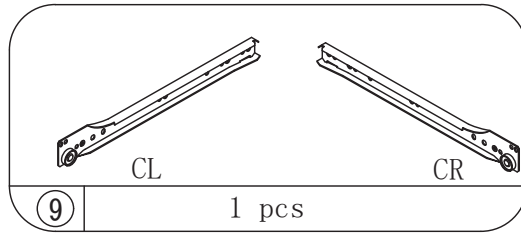
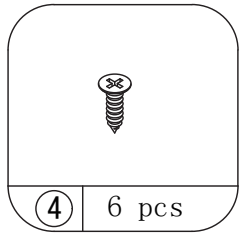
7

STEP 4



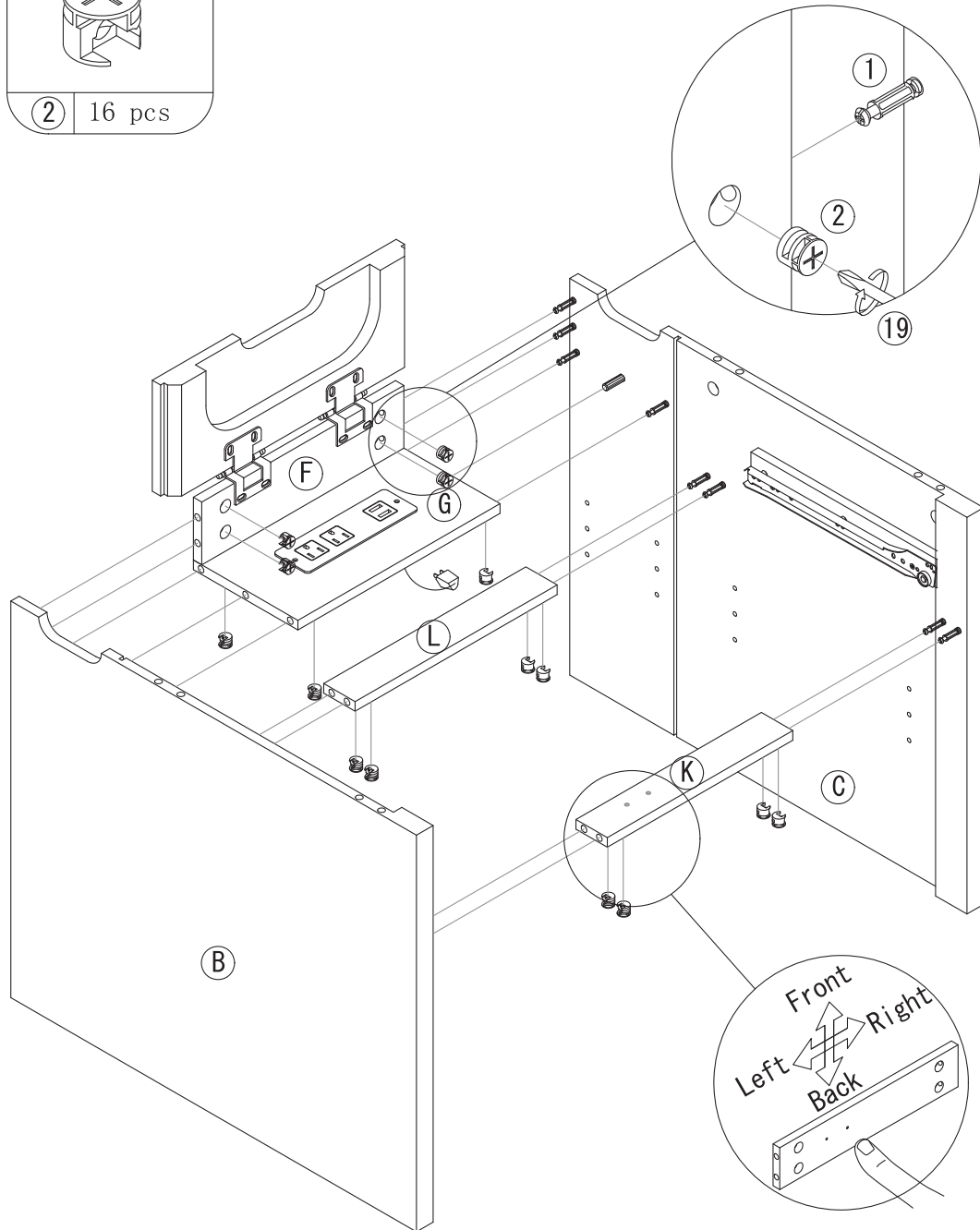
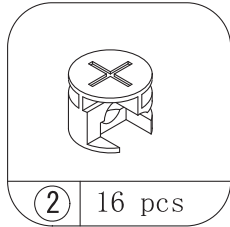
8

STEP 5



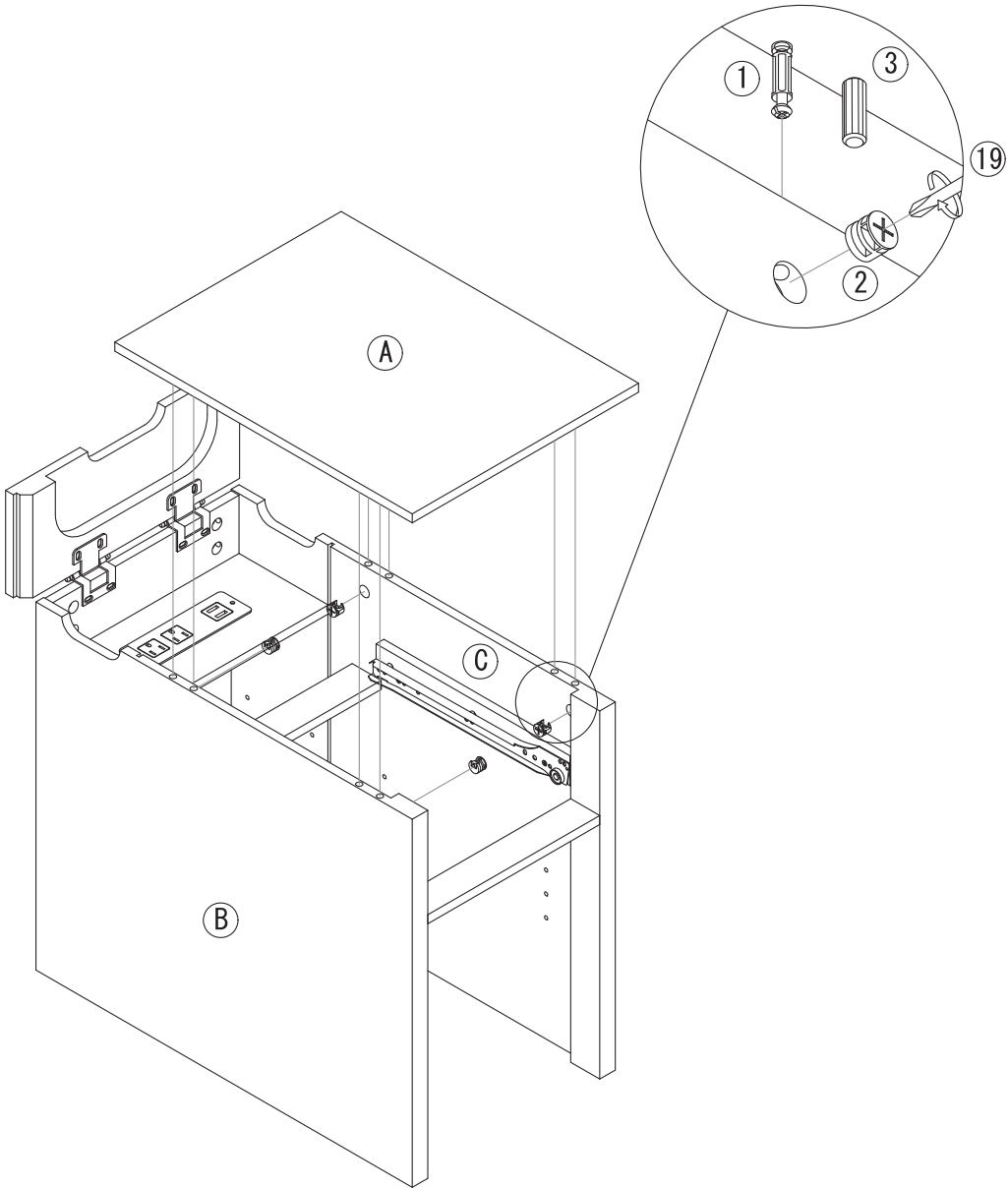
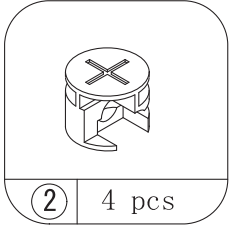
9

STEP 6

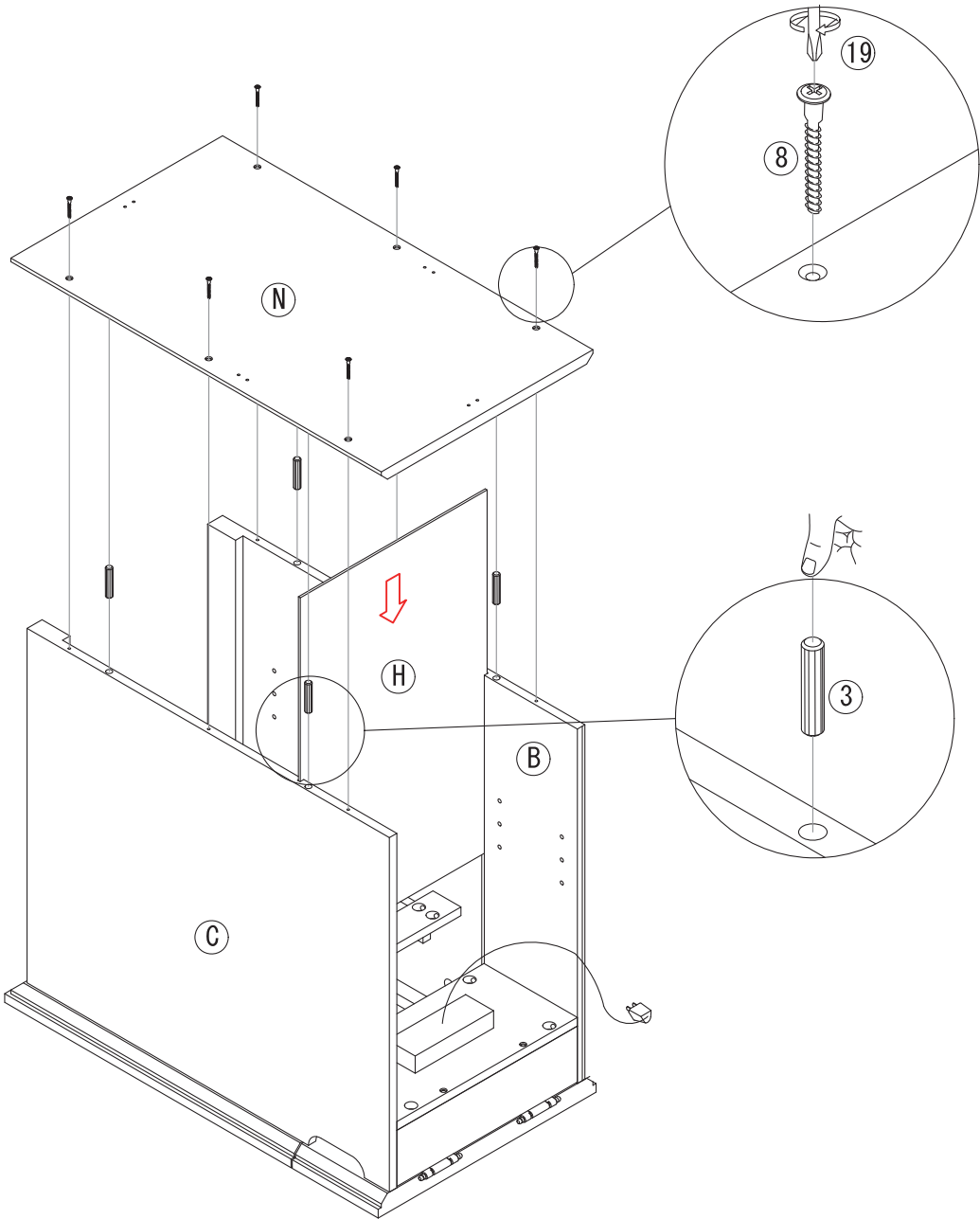
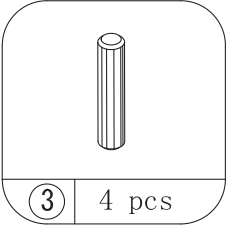
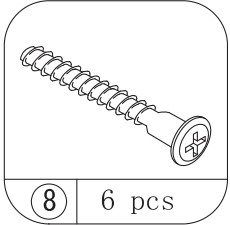


10

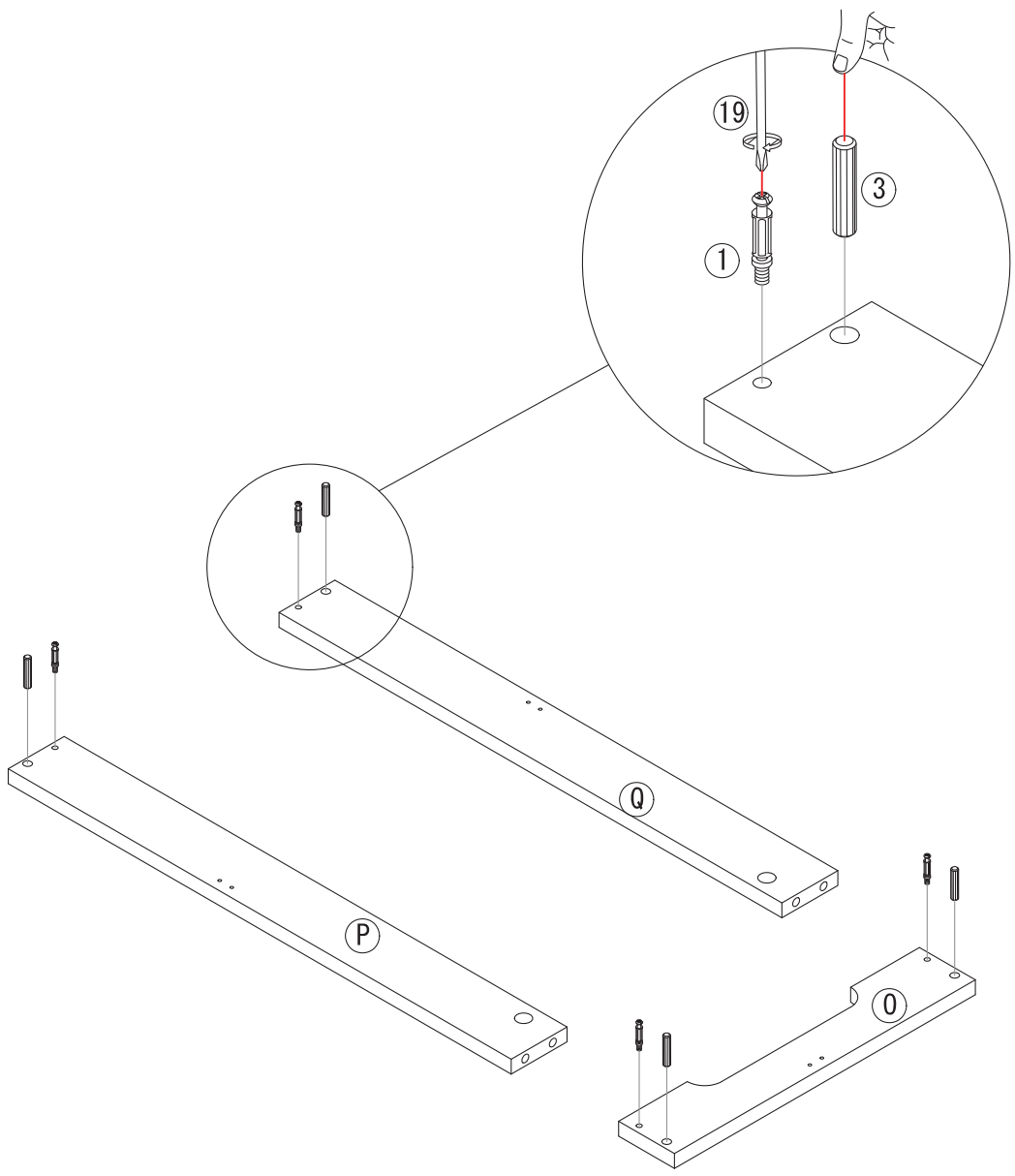
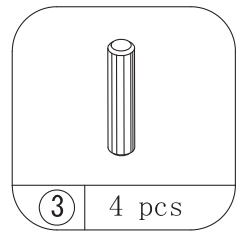
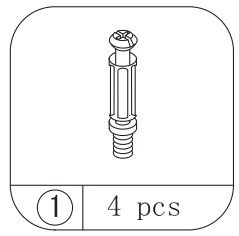
STEP 7



STEP 8

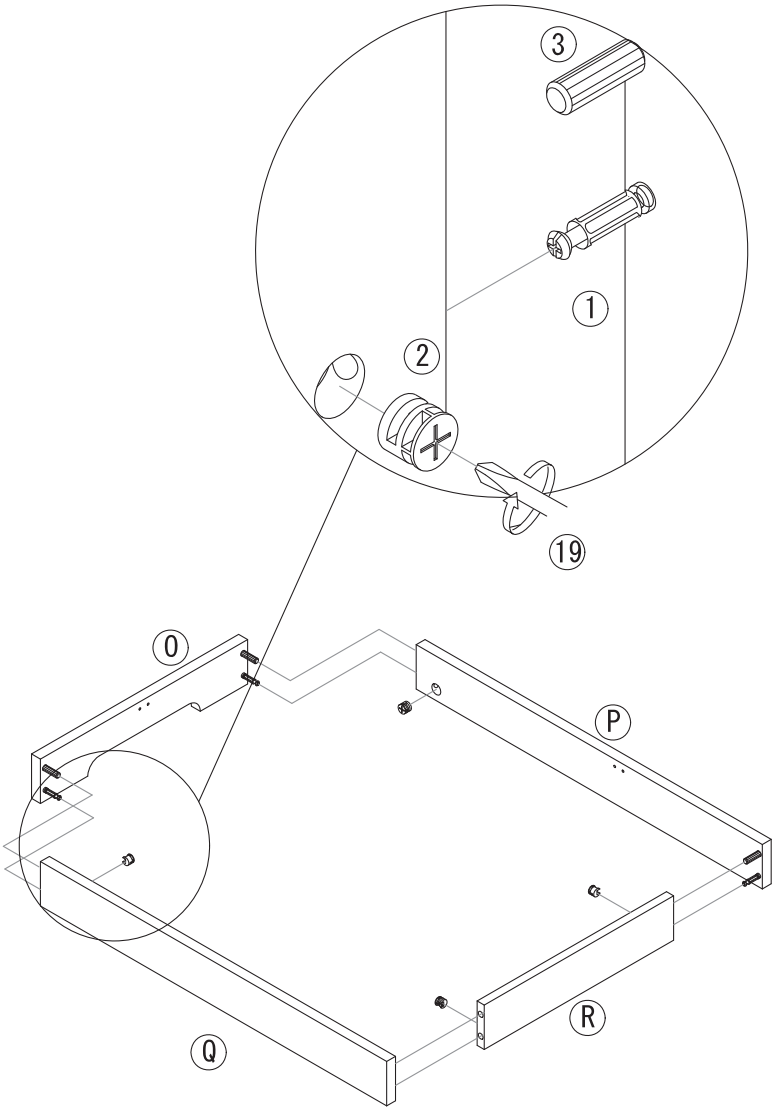
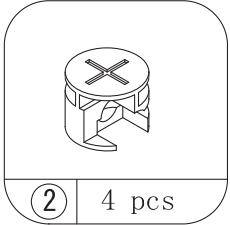


STEP 9

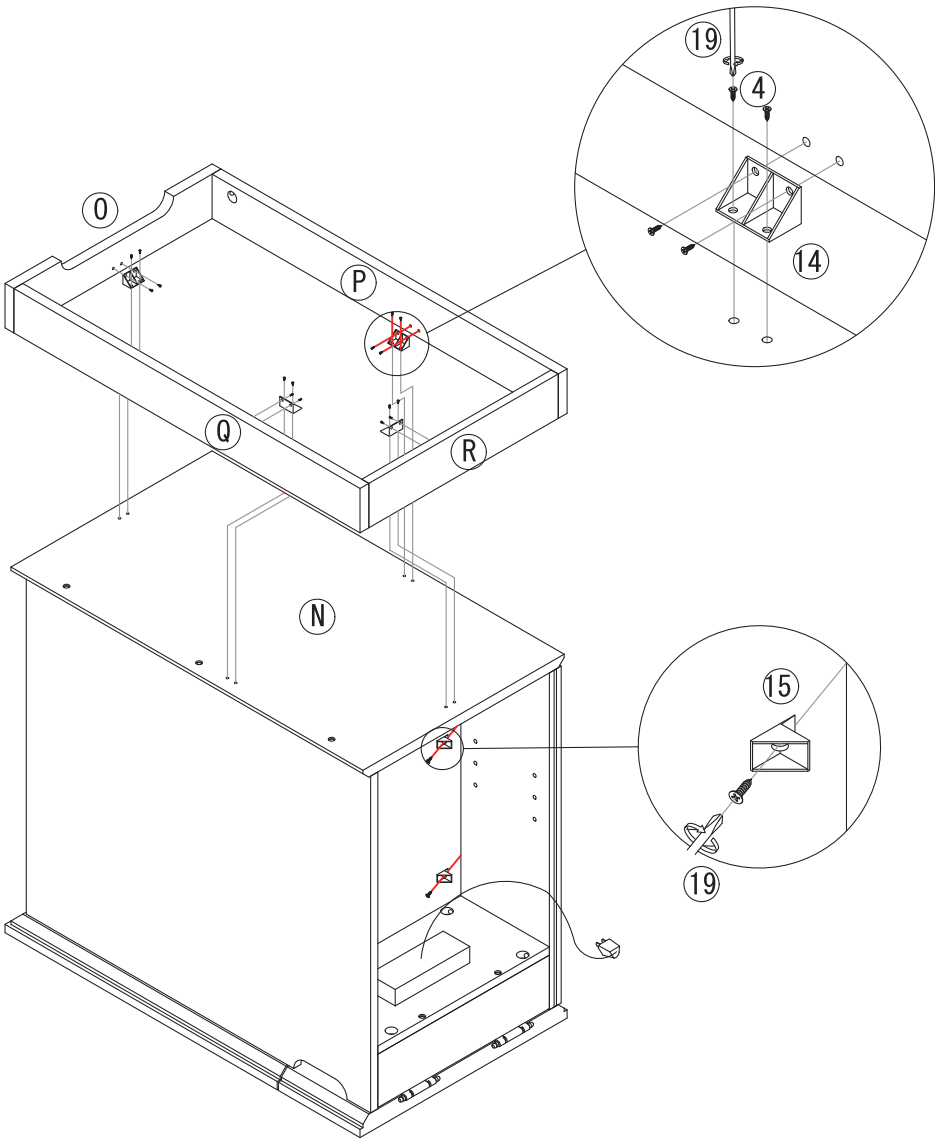
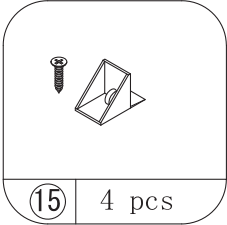
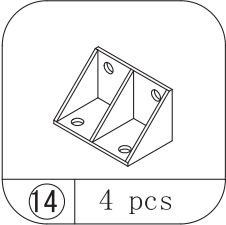
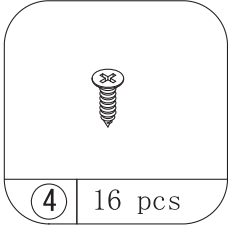


13

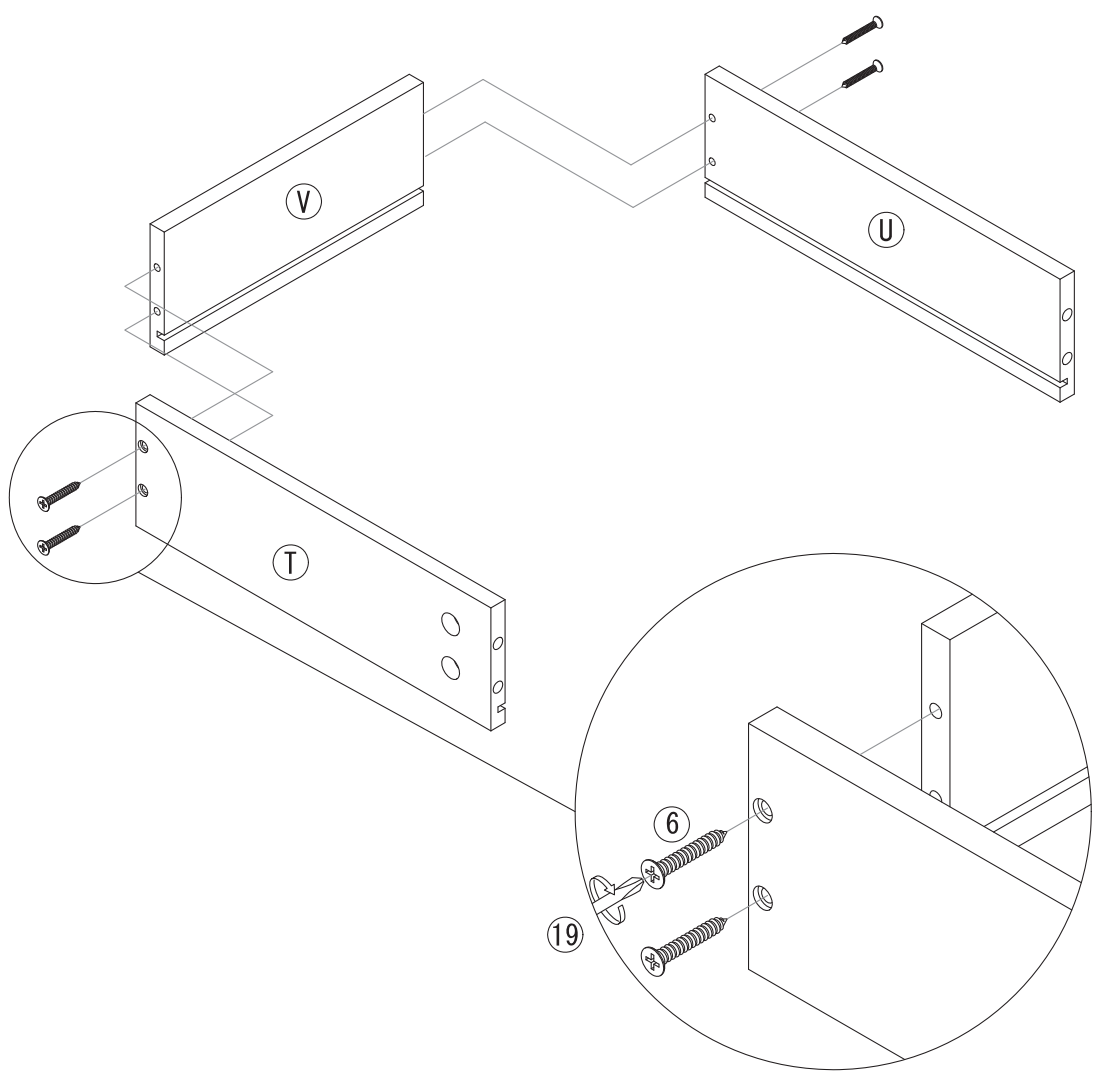
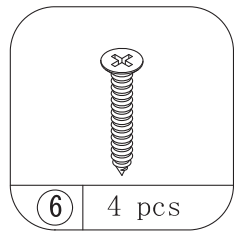
STEP 10



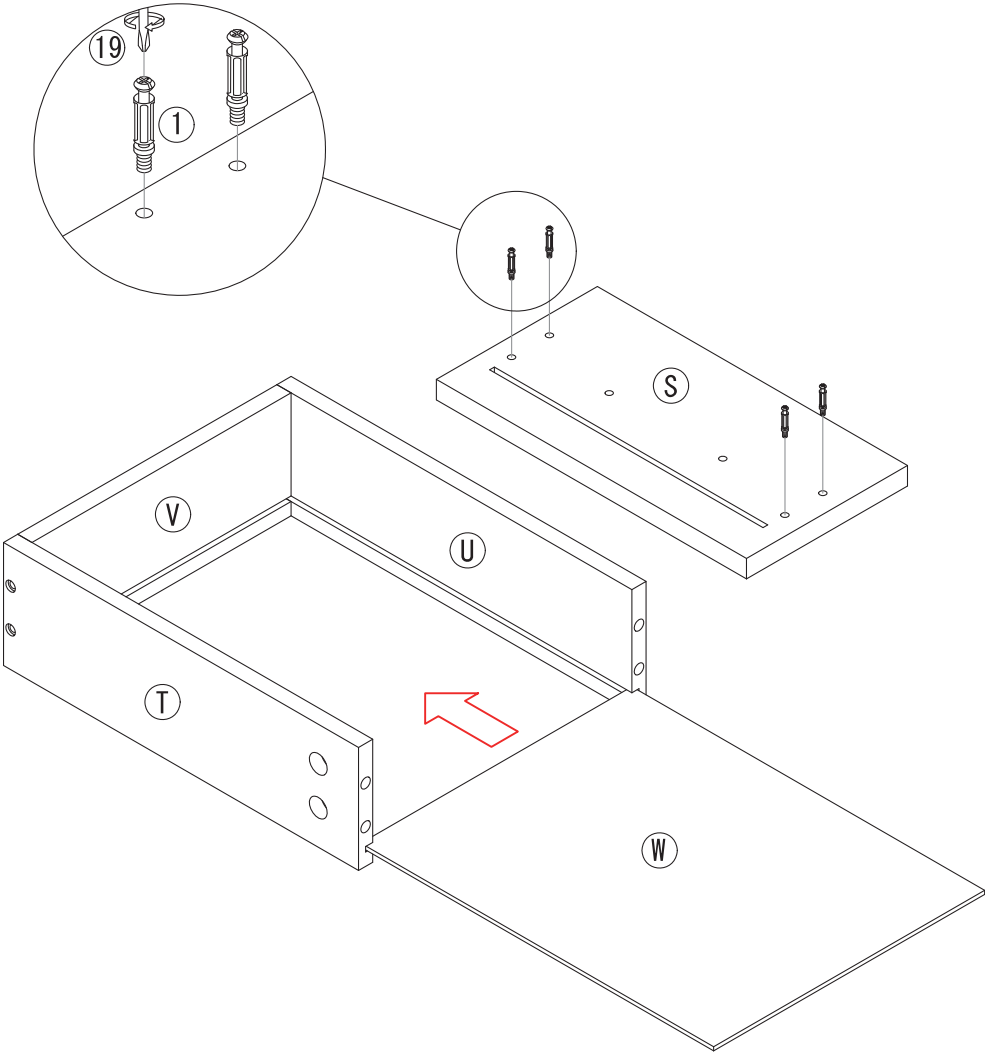
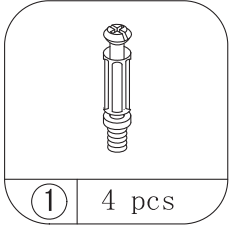
STEP 11



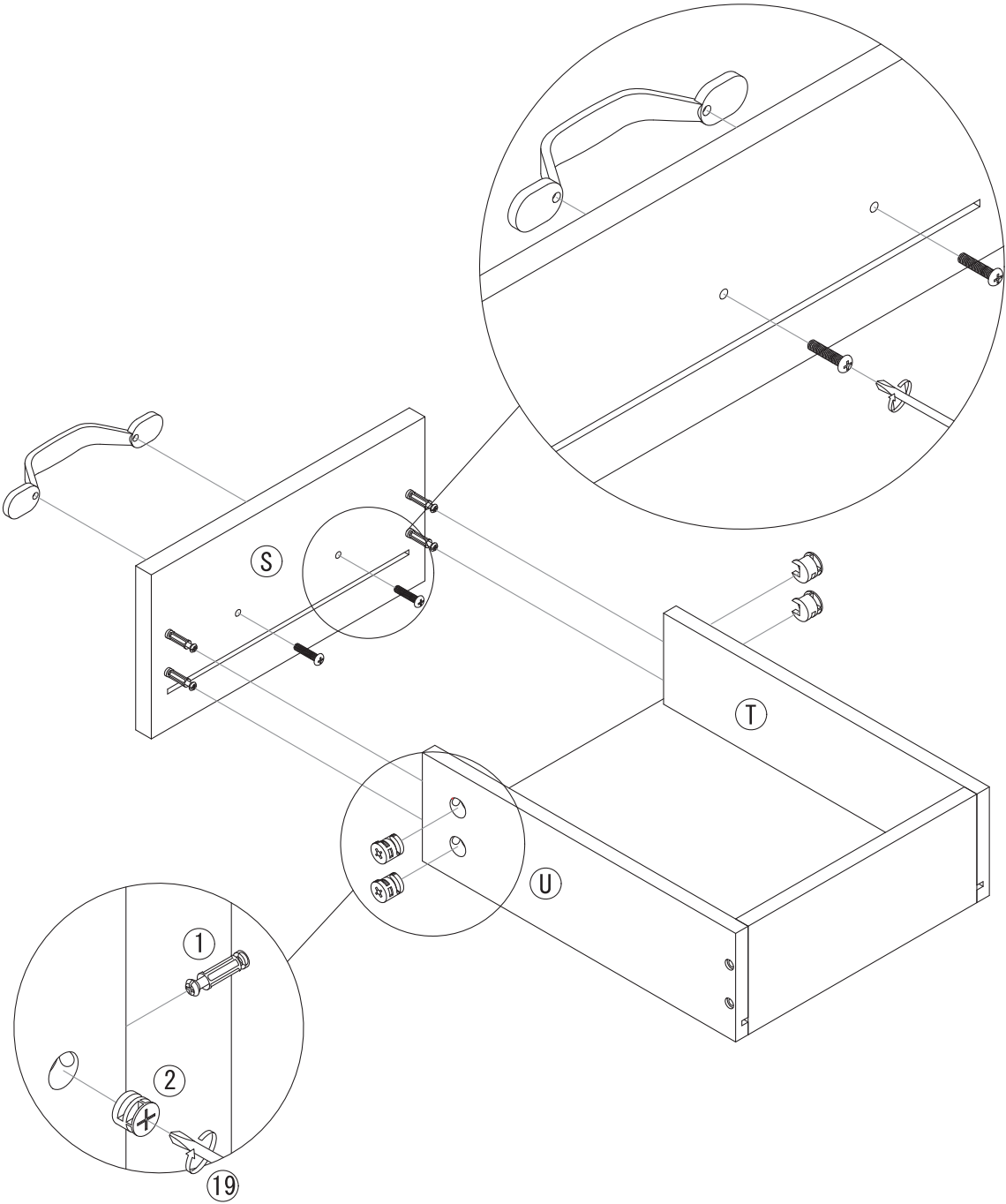
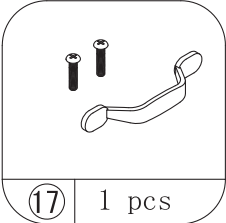
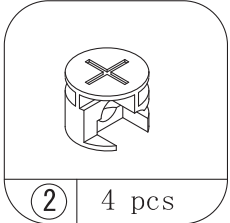
STEP 12



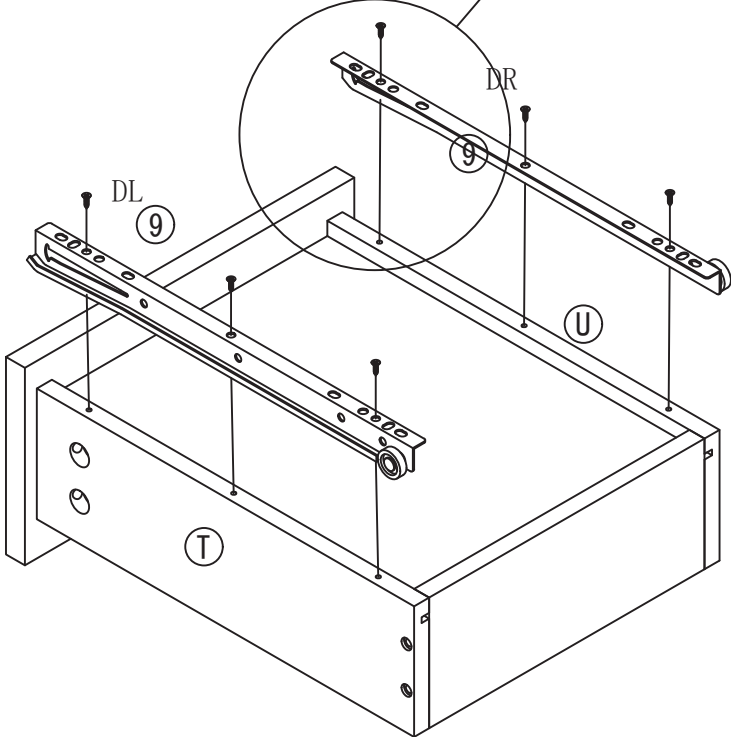
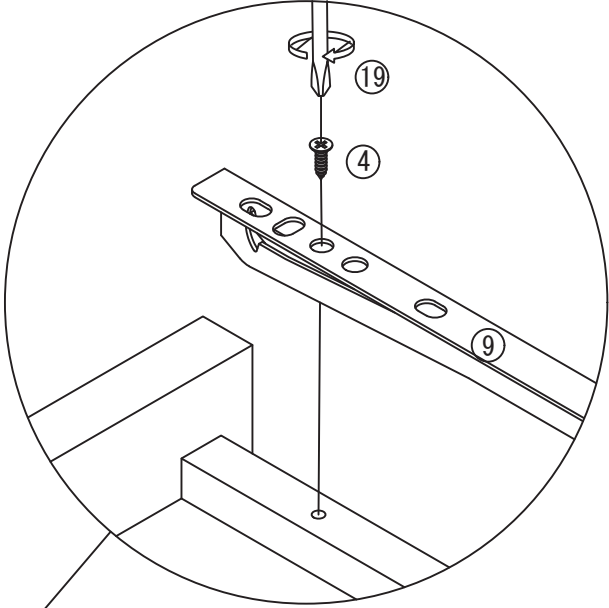
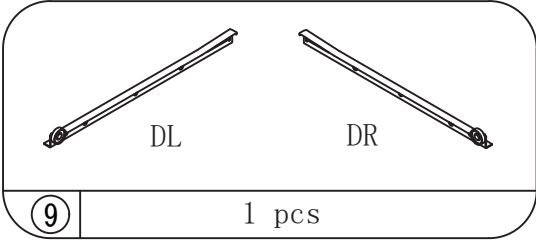
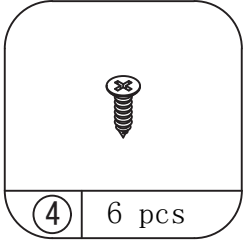
STEP 13



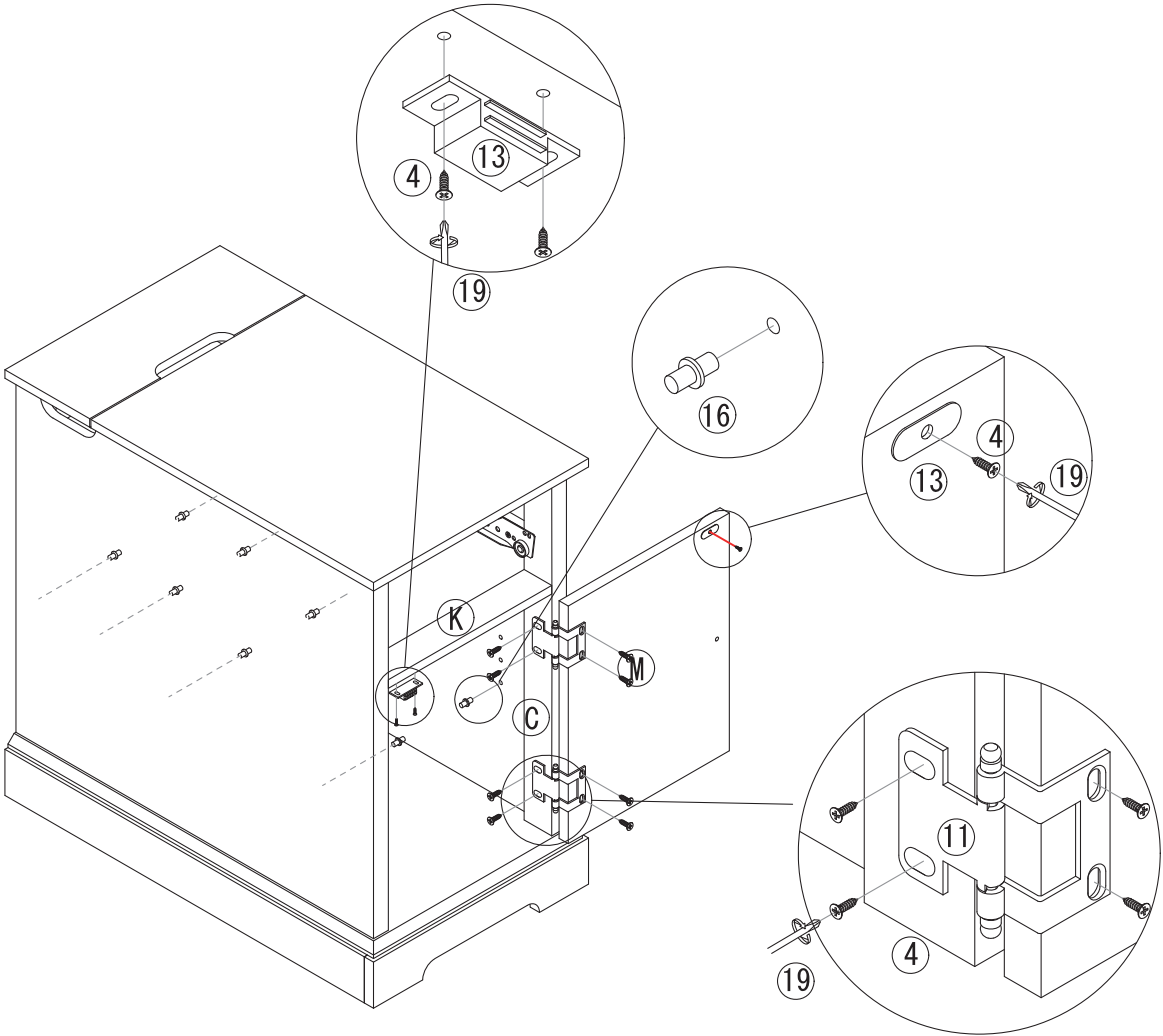
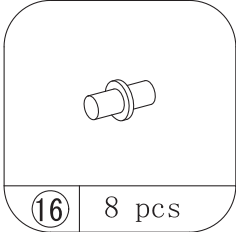
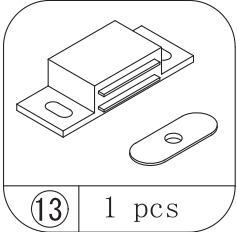
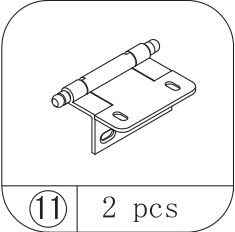
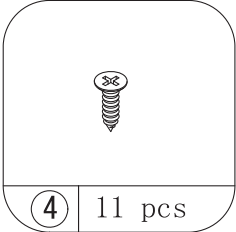
STEP 14



STEP 15

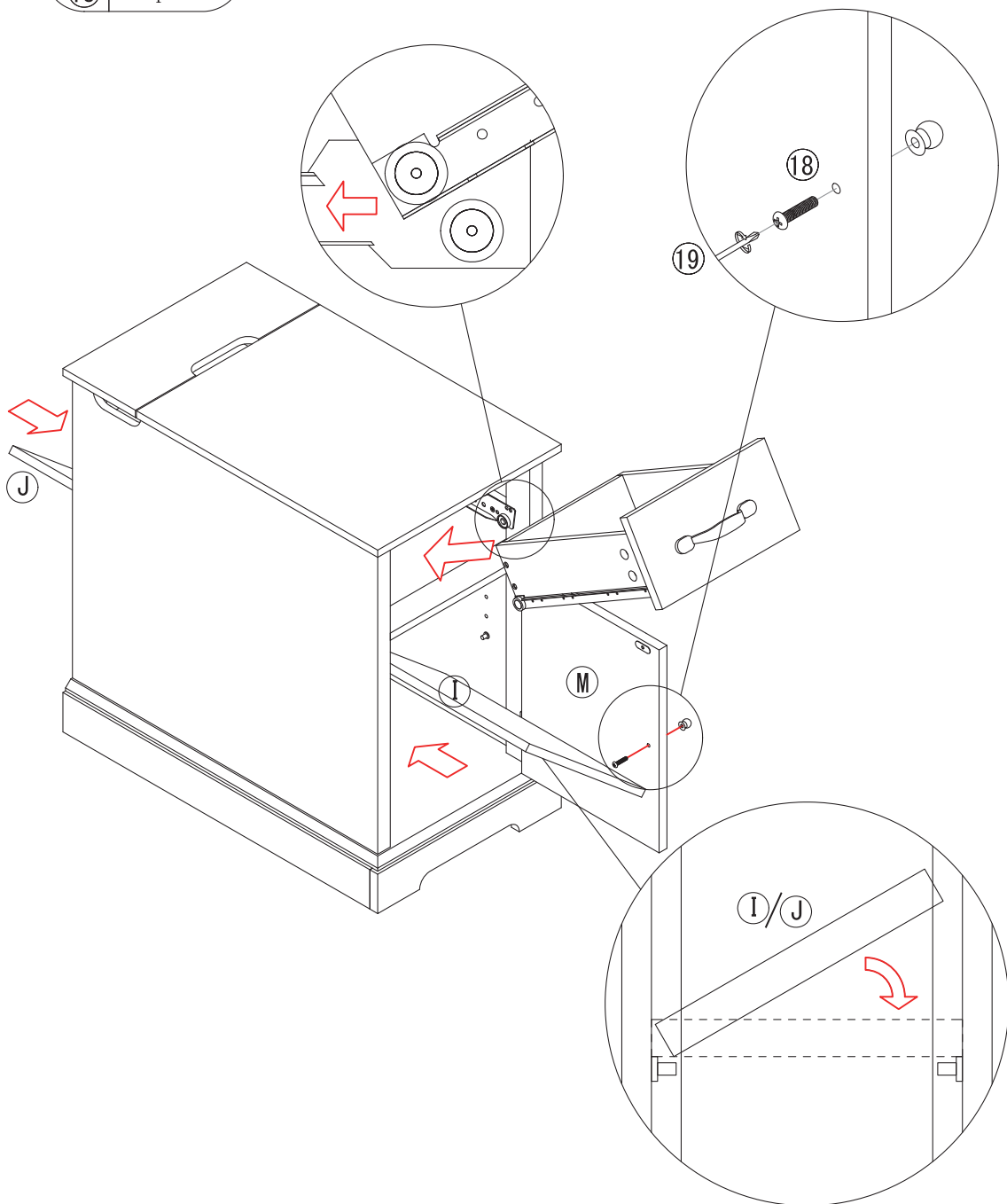
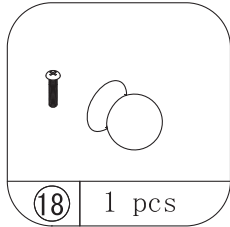


STEP 16



20

STEP 17



21

STEP 18

