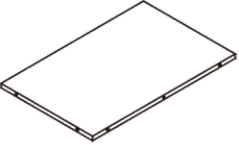
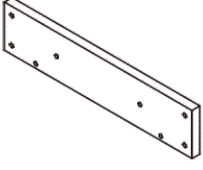
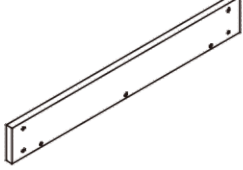
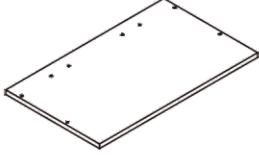
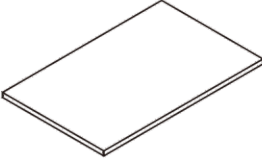
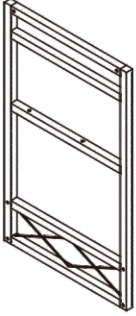
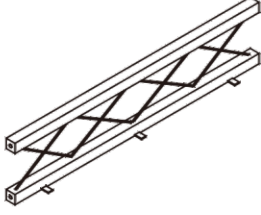
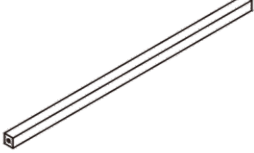
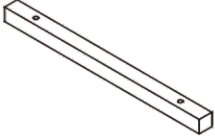





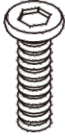

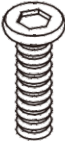

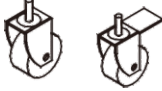


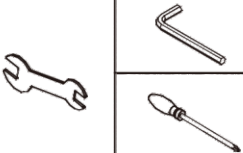
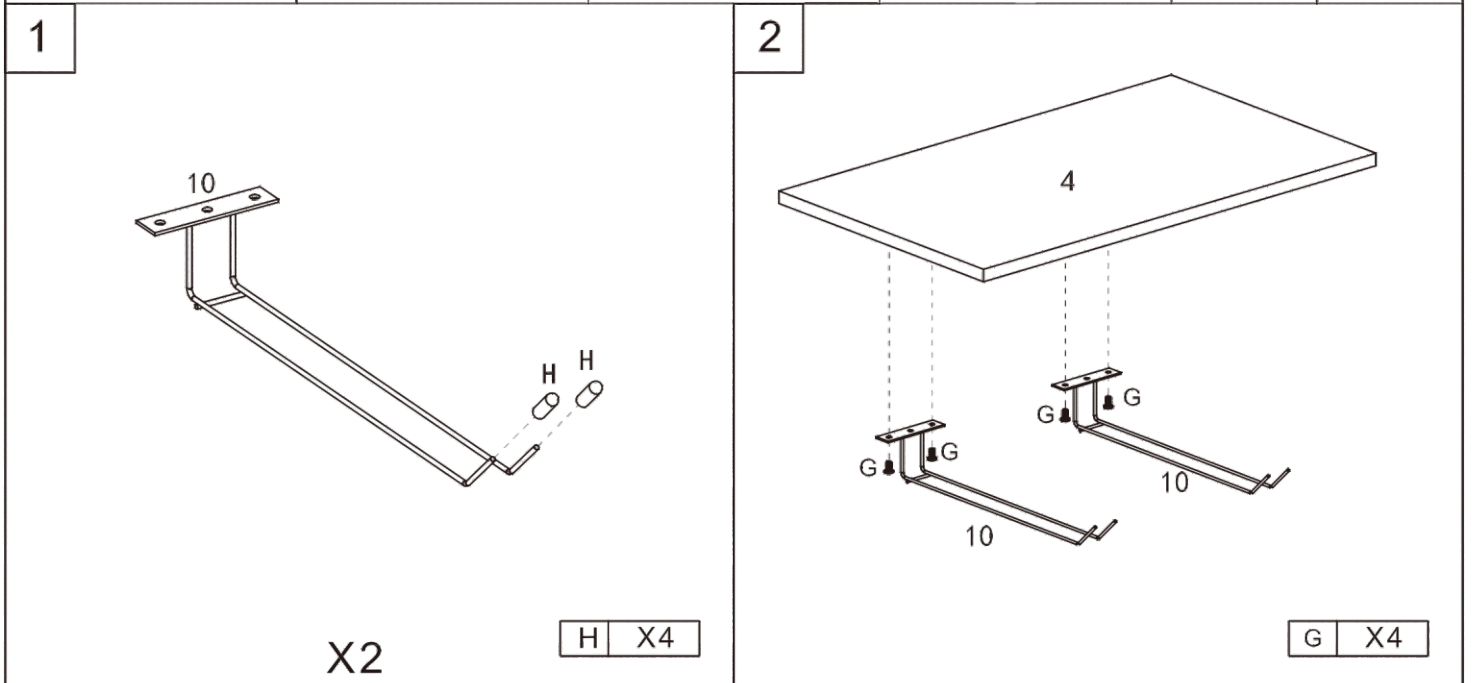


READ AND SAVE THIS INSTRUCTION FOR FUTURE USE

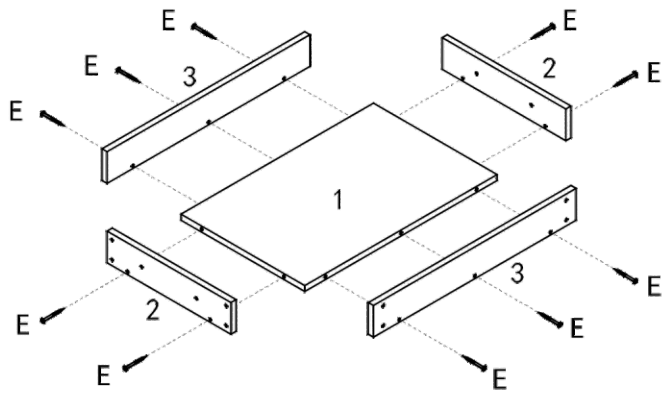
# ASSEMBLY INSTRUCTION

**Attention: Do not tighten the screws until all of them are in right positions**

1  X1	2  X2	3  X2	4  X1	5  X1
6  X2	7  X2	8  X2	9  X2	10  X2
11  X2	12  X4	13  X2	A  M6X10 X20	B  M6X25 X4
C  M6X30 X8	D  M6X35 X12	E  M5X50 X10	F  X4	H  X4
			G  M6X12 X4	

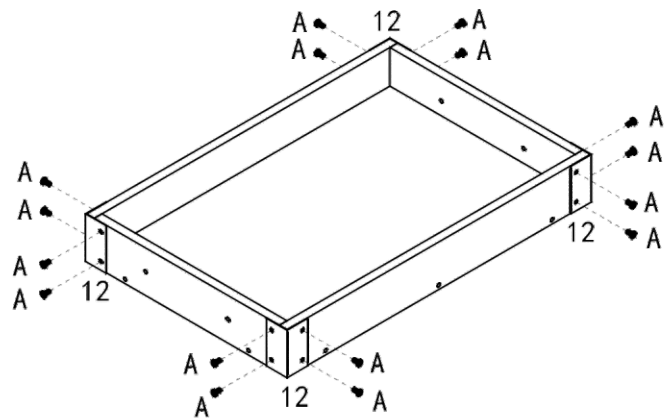


3



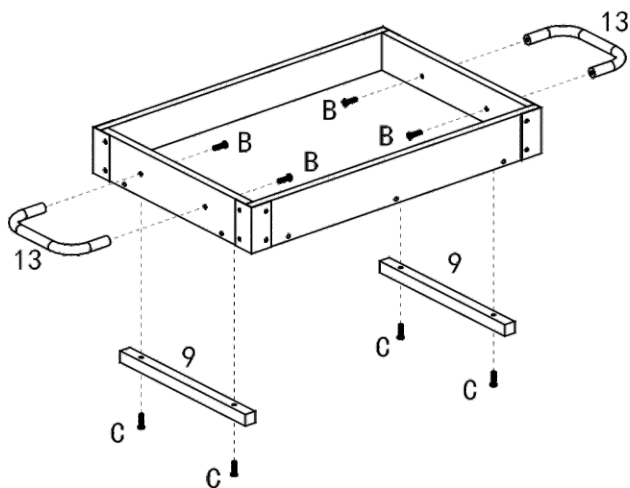
E	X10
---	-----

4

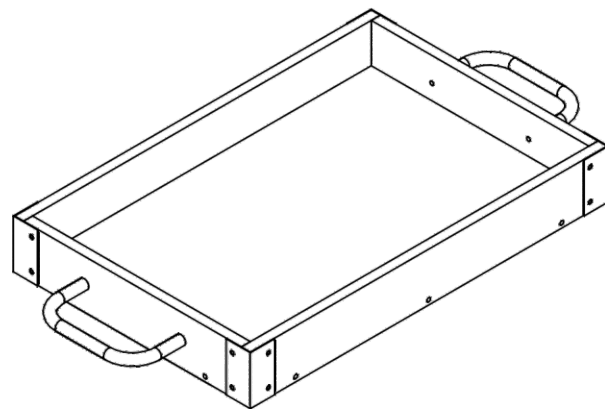


A	X16
---	-----

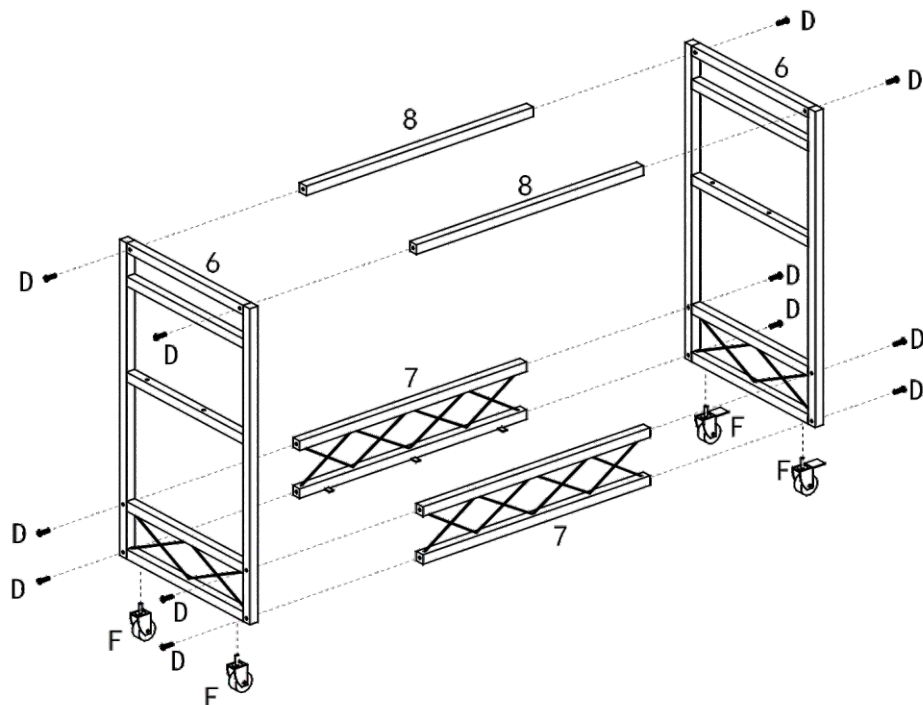
5



B	X4
C	X4

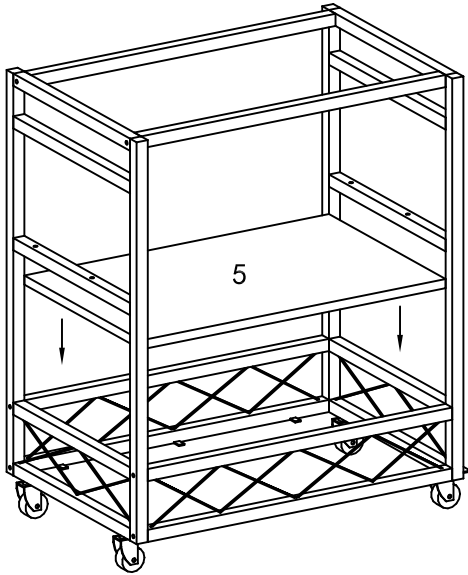


6

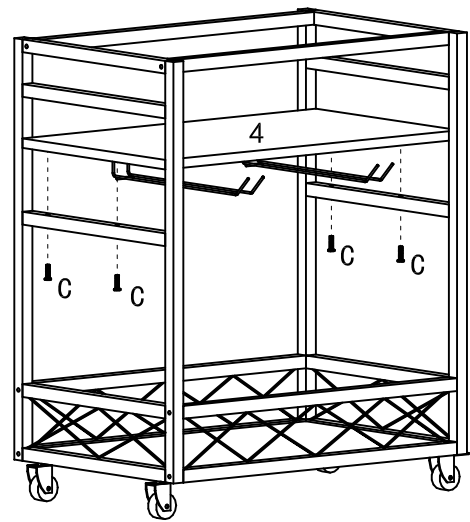


D	X12
F	X4

7

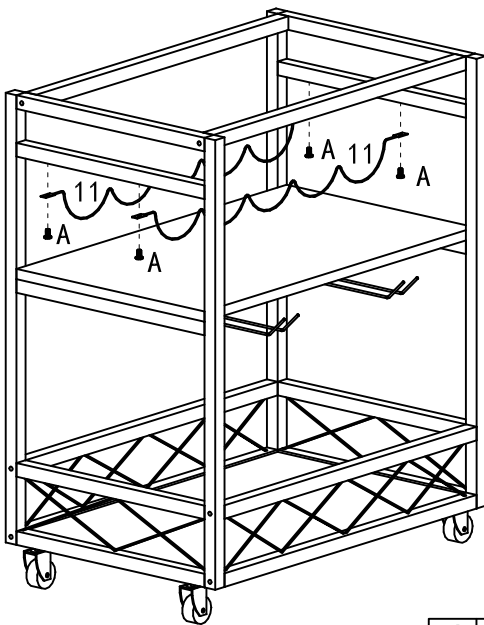


8



C X4

9



A X4

10

