

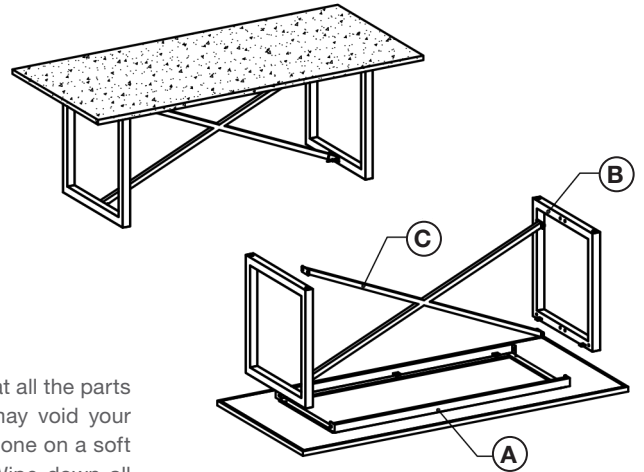
ASSEMBLY INSTRUCTIONS | CARRERA DINING TABLE

HARDWARE CHECKLIST

01		Pan Head Allen Bolt M8x20 (12pcs)
02		JCBC M6x20 (4pcs)
03		Spring Washer M6 (4pcs)
04		Flat Washer M6 (4pcs)
05		Allen Key M4 (1pc)
06		Allen Key M5 (1pc)

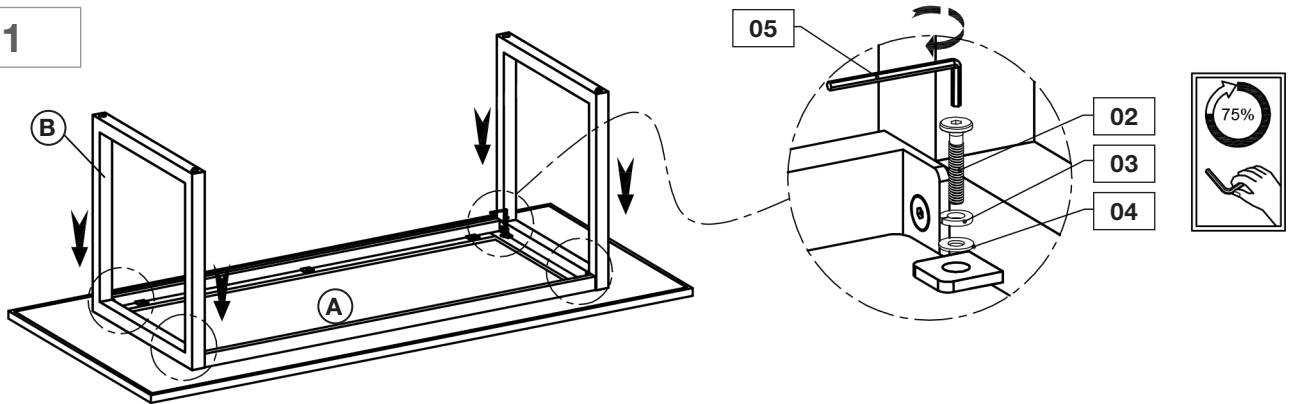
PARTS CHECKLIST

A	Table Top (1pc)
B	Metal Leg (2pcs)
C	X-Stretcher (1pc)

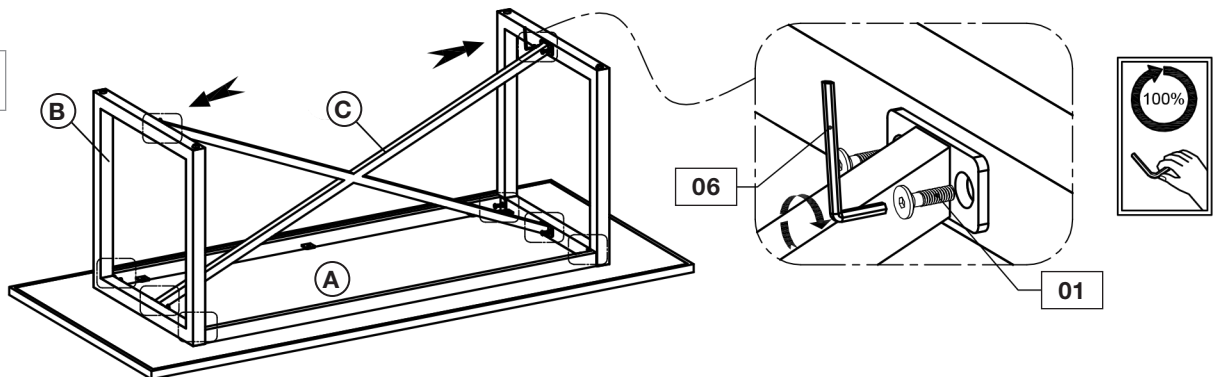


Please do not begin assembly or discard any packaging until you have checked that all the parts and hardware are present. Follow instructions closely as deviation from them may void your warranty and present a possible safety risk. It is recommended that assembly is done on a soft surface to avoid any damage. Periodically check and re-tighten any fasteners. Wipe down all surfaces weekly with a clean cloth. Do not clean any surfaces with harsh abrasives or chemicals.

Step 1



Step 2



Step 3

