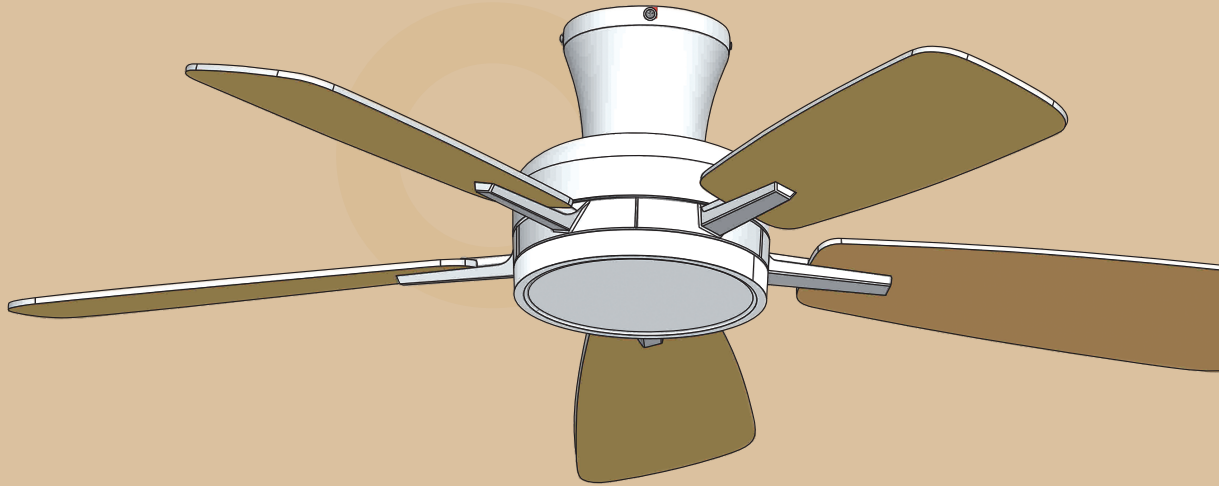
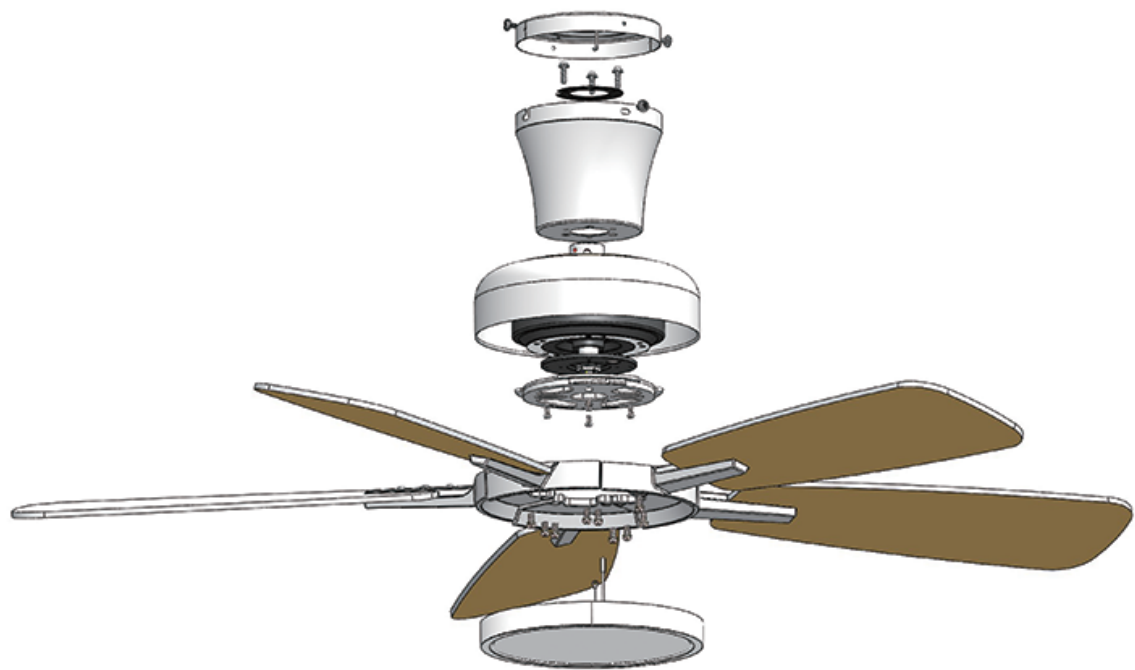


Ceiling Fan with Light





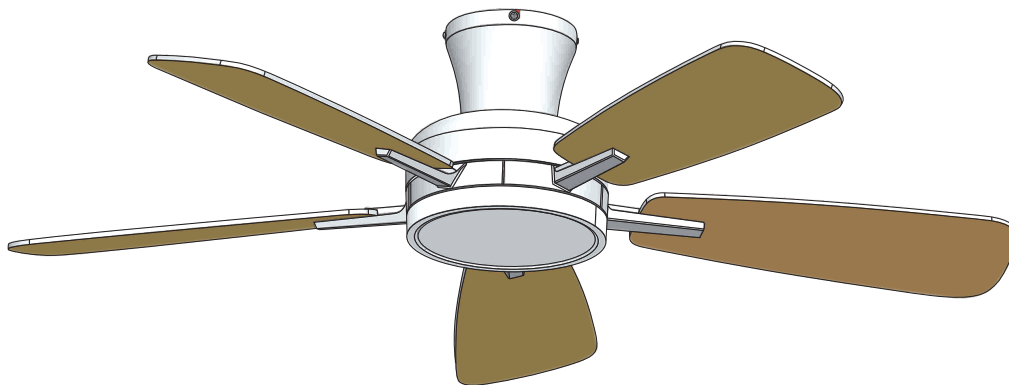
Technical specifications

Ceiling Fan Light

Input: AC120V 60Hz

Power: 53W(35+18W)

Size: 46 inch



WARNING

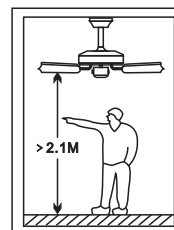


✓ ON/OFF switch



✗ Dimmable switch

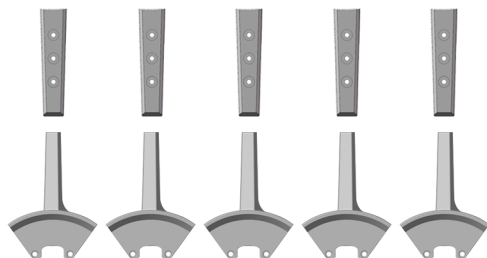
Disconnect power prior to installation, inspection, or removal
Do not touch when light is on or when it is hot
If there is any problem with the fixture, turn power off and do not attempt to repair unless you are a qualified technician
Do not expose to water or rain
Ensure that after the fan is installed, its lowest point is no less than 2.1 meters from the ground.



Packing List



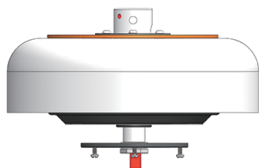
Canopy



Blade Arm



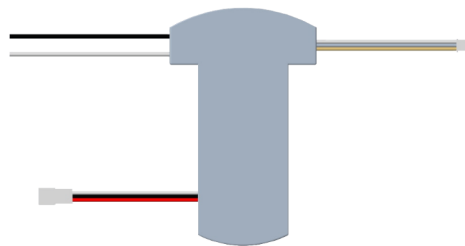
Blade



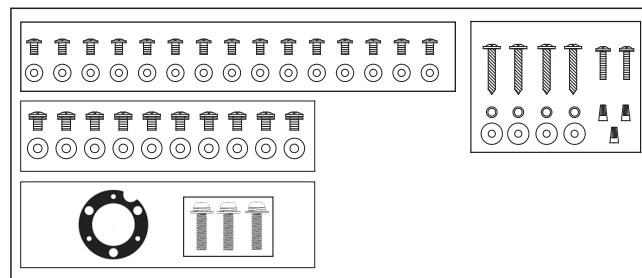
Fan Motor Assembly



Lamp



Remote Control

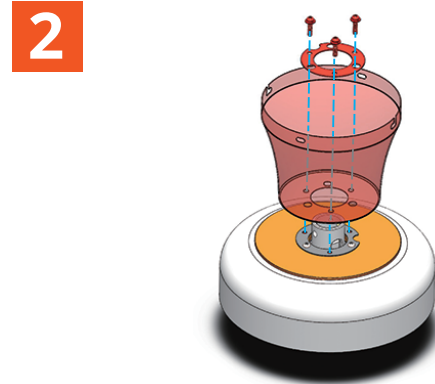


Screw Pack

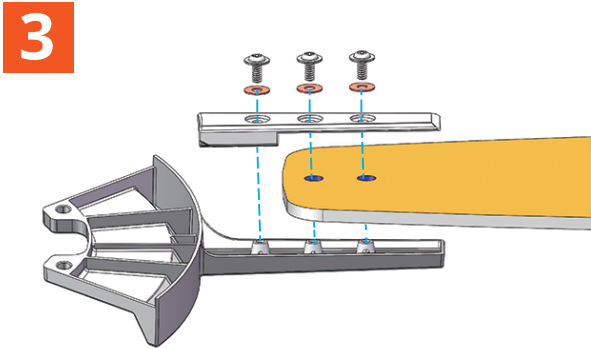
Installation Guide



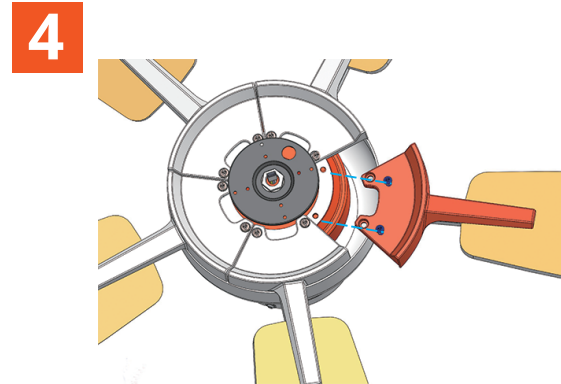
Unscrew the hanger bracket from the canopy.



Mount the canopy to the motor assembly.

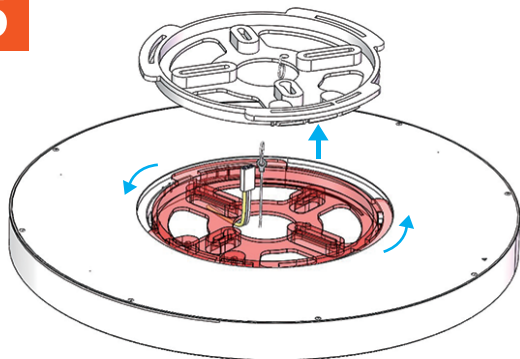


Secure the fan blades to the blade arms.



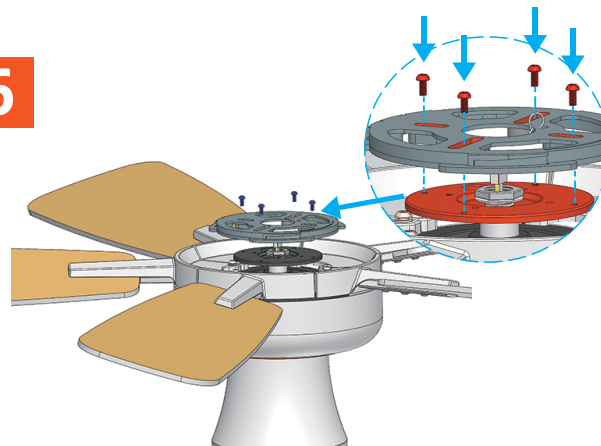
Screw the fan blades onto the fan motor.

5



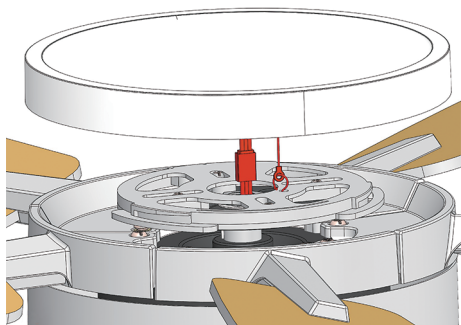
Remove the lamp baseplate.

6



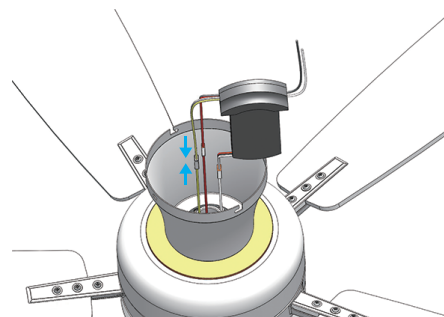
Install the lamp baseplate onto the fan motor.

7



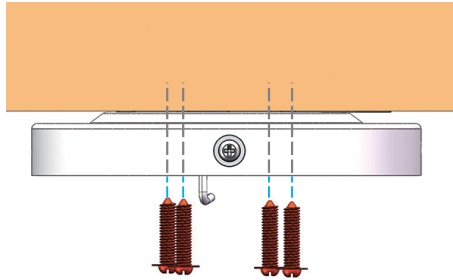
Lock the safety rope and connect the wires of the lamp.

8



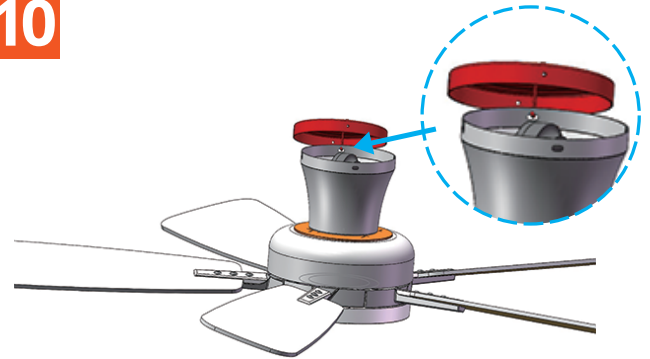
Connect the fan controller's wire.

9



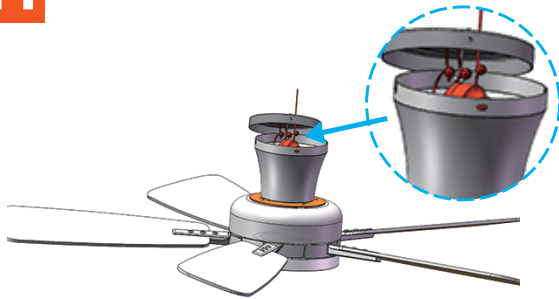
Secure the hanger bracket to the ceiling with the appropriate screws.

10



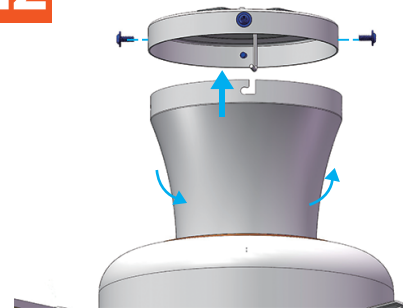
Hang the fan on the ceiling-mounted hanger bracket, making sure it's secure.

11



Connect the controller's input to the ceiling's power cord.

12



Installation is complete when the fan is reattached to the hanger and secured with screws.