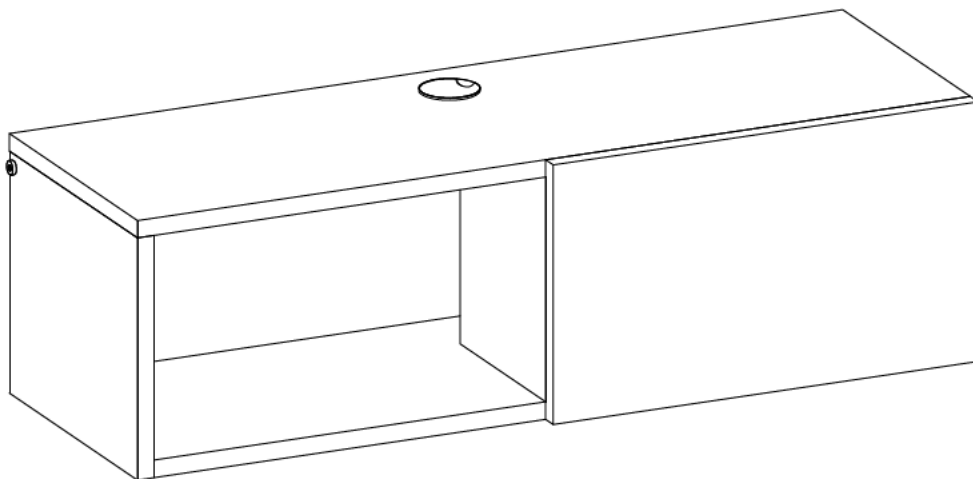


OR





Español

ADVERTENCIA!

El vuelco del mueble puede provocar lesiones graves o mortales por aplastamiento. Para evitar que este mueble vuelque, recomendamos encarecidamente su uso con los dispositivos de fijación a la pared suministrados.

Deutsch

WARNUNG!

Schwere oder tödliche Quetschverletzungen können durch das Umkippen von Möbeln entstehen. Um das Umkippen dieser Möbel zu verhindern, empfehlen wir dringend die Verwendung der mitgelieferten Wandbefestigungsvorrichtung(en).

Nederlands

WAARSCHUWING!

Serieuze of fatale verpletteringsletsels kunnen optreden door het omvallen van meubels. Om dit te voorkomen, raden we ten zeerste aan om de muurbevestigingsmiddelen te gebruiken die bij dit meubilair worden geleverd.

English

WARNING!

Serious or fatal crushing injuries can occur from furniture tip over. To prevent tip over this furniture we highly recommend to use with the wall attachment device(s) provided.

Français

AVERTISSEMENT!

Risque de blessure grave ou mortelle par écrasement en cas de chute du meuble. Pour éviter tout risque de basculement, ce meuble doit être fixé au mur à l'aide des fixations incluses.

Ελληνική

ΠΡΟΕΙΔΟΠΟΙΗΣΗ!

Σοβαροί ή θανατηφόροι τραυματισμοί από την ανατροπή του επίπλου είναι πιθανοί. Για να αποτραπεί αυτή η ανατροπή, συνιστούμε ανεπιφύλακτα να χρησιμοποιήσετε τη συσκευή ή τις συσκευές στερέωσης στον τοίχο που παρέχονται με το έπιπλο.

Dear Valued Customer,

Before embarking on the assembly journey of our meticulously designed furniture piece, we extend a friendly caution to those who might find themselves navigating the assembly instructions like uncharted waters. Consider this your assembly roadmap, but remember, not all who venture forth heed the warnings.

Mind the Details: In the intricate dance of screws, bolts, and mysterious components, attention to detail is your compass. Failure to acknowledge the subtleties may lead to a misstep in the assembly waltz.

Avoid Solo Sailing: While solo adventures are admirable, assembling our furniture is a team sport. Rally your crew, or at least one reliable sidekick, to ensure a smoother voyage. Two sets of eyes are better than one, especially when deciphering assembly hieroglyphics.

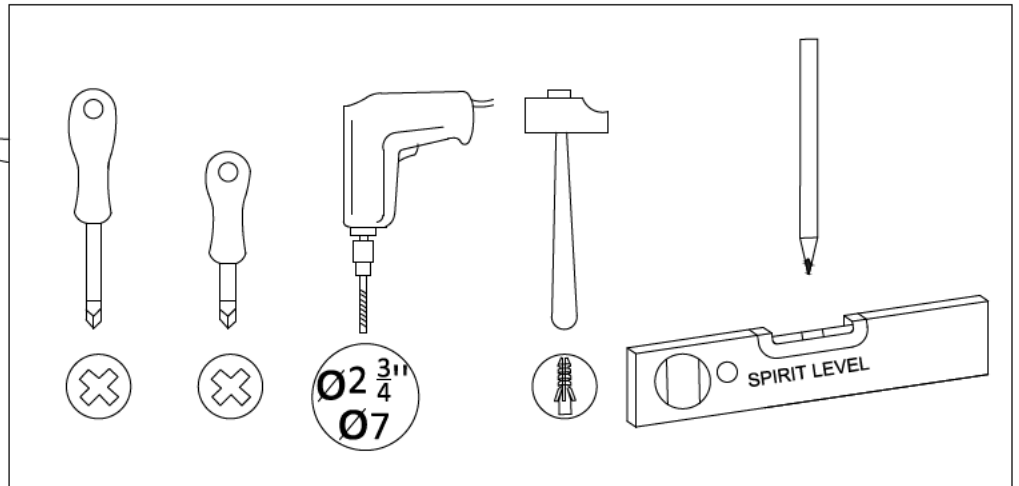
Tools are Your Allies: The toolkit provided isn't just for show. Each tool is a trusty sidekick in your quest for furniture glory. Disregarding their importance may result in frustration and a potential detour to the hardware store.

The Manual is Your Map: The assembly manual is not just a paperweight. It's your treasure map to furniture utopia. Ignoring its guidance may result in the dreaded disassembly-reassembly loop, a journey no one wants to embark upon.

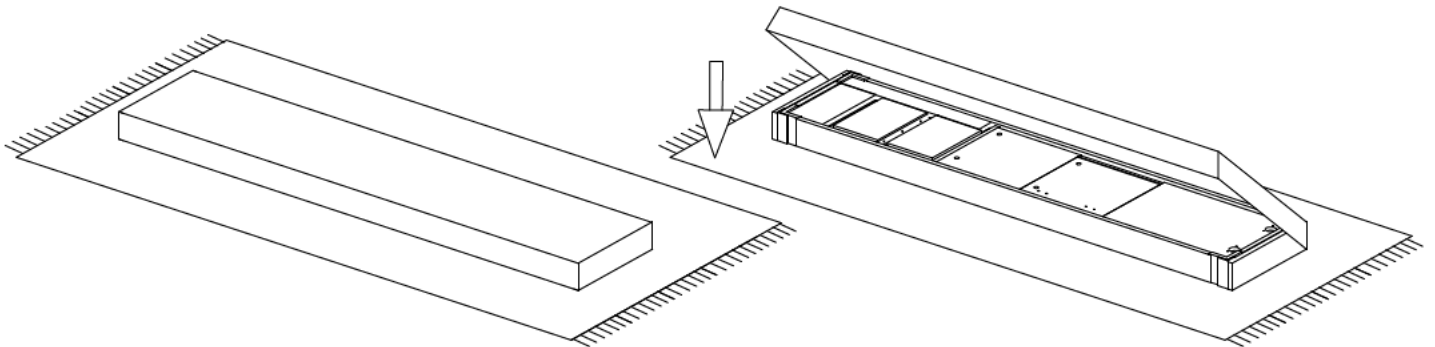
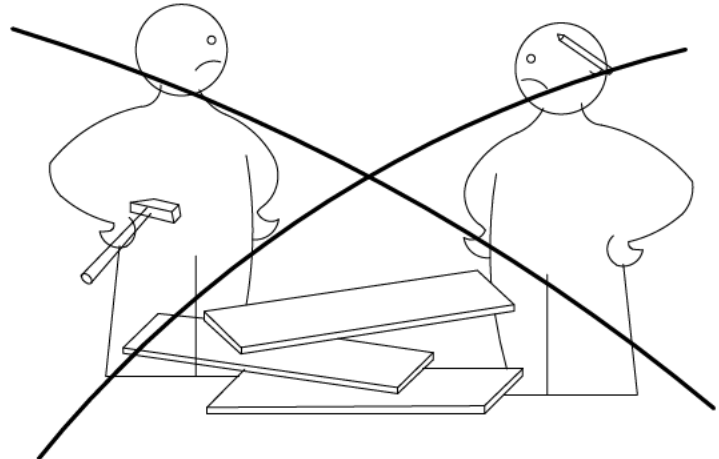
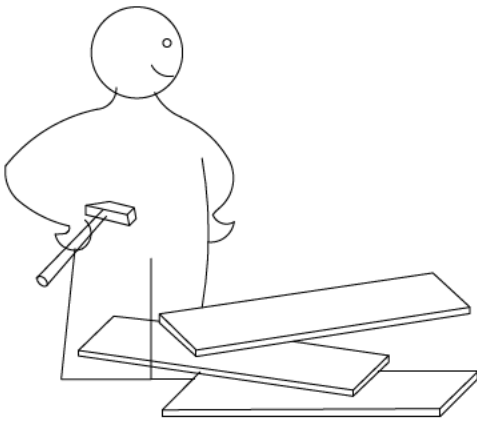
Remember, brave assembler, you hold the power to turn a pile of parts into a functional masterpiece. With great power comes great responsibility. May your assembly journey be smooth, your Allen wrench swift, and your furniture stand tall and proud.

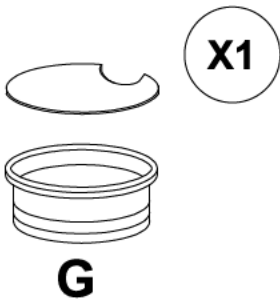
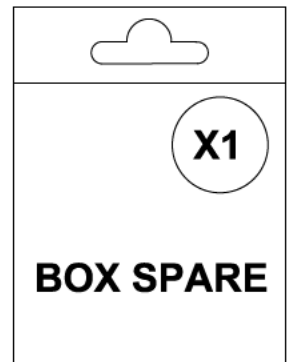
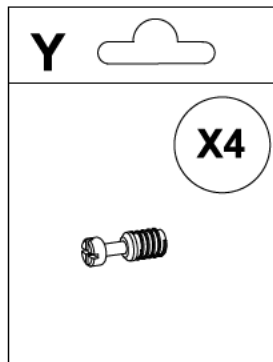
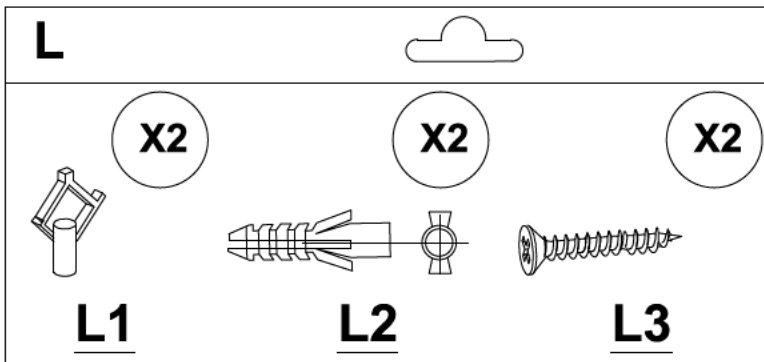
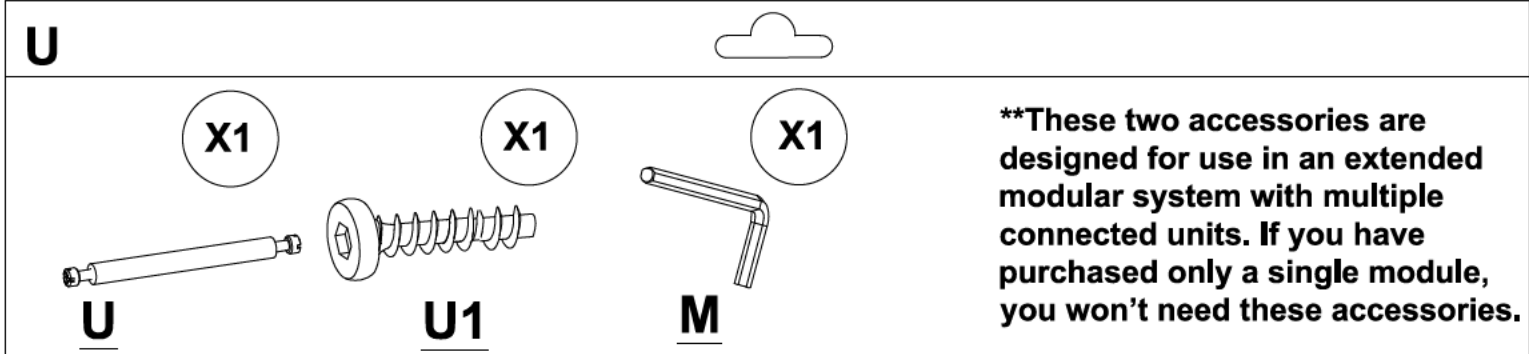
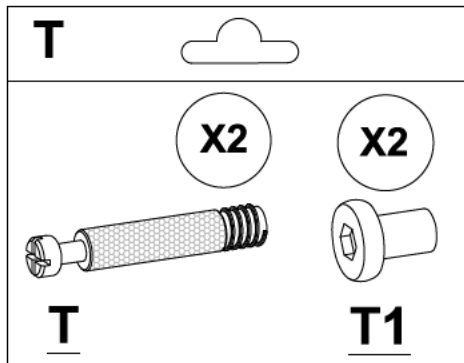
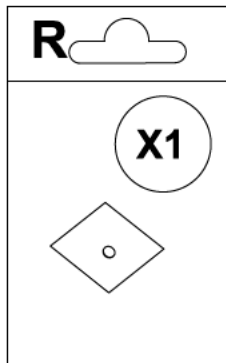
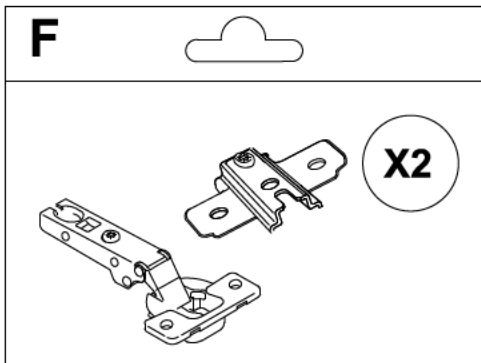
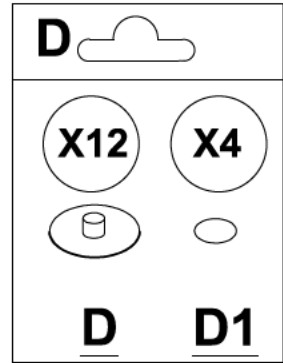
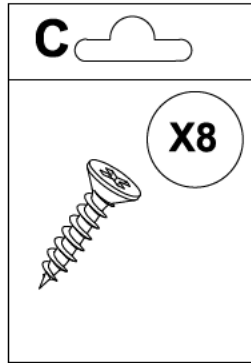
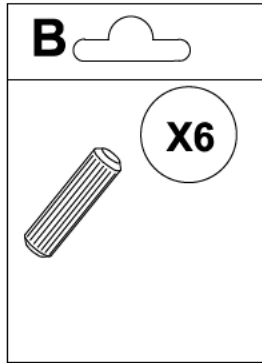
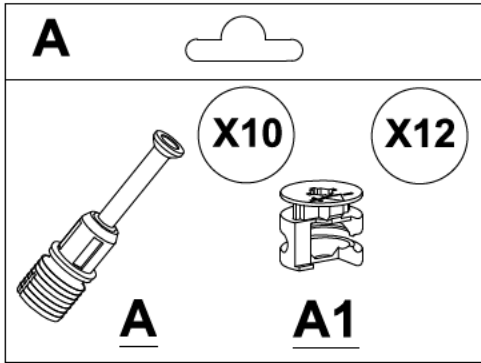
Happy assembling!

Use the drill only to secure the product to the wall.



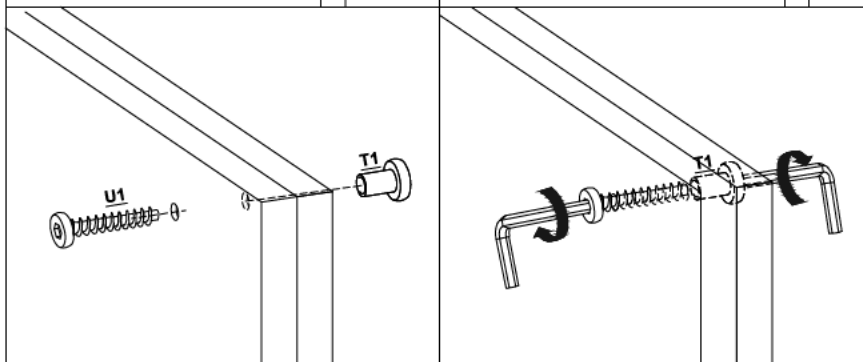
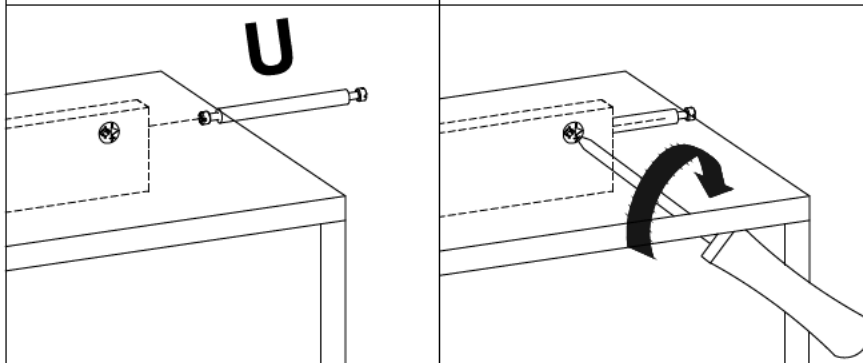
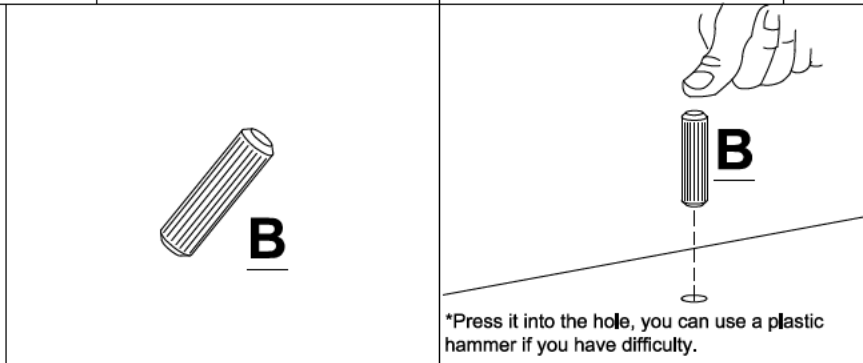
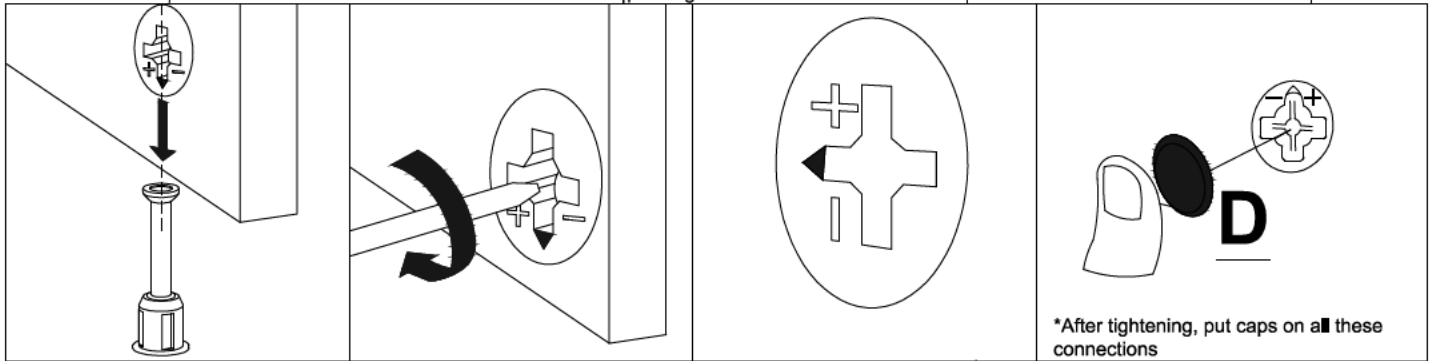
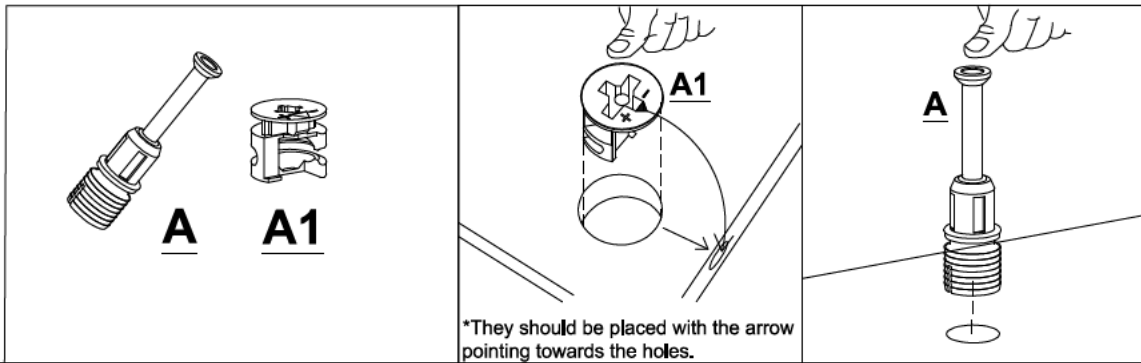
This unit is designed so that one person can easily assemble it.

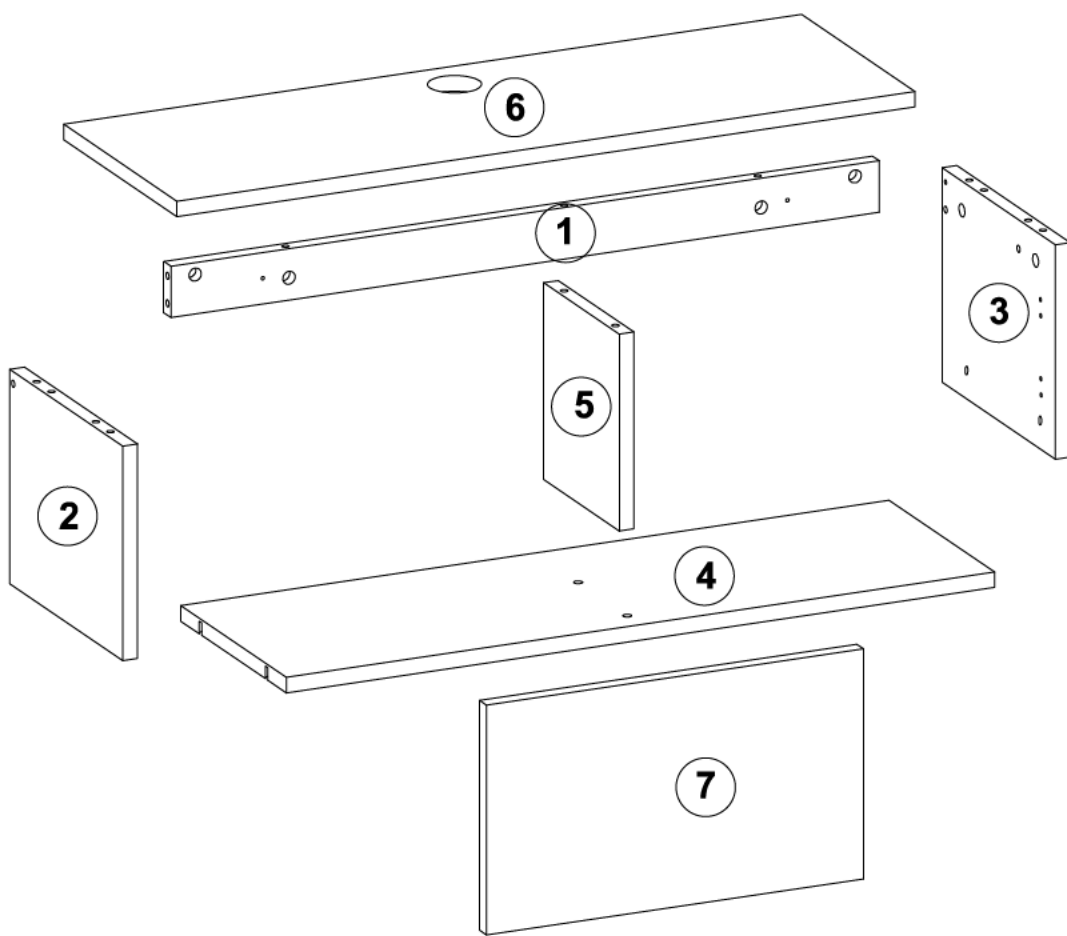


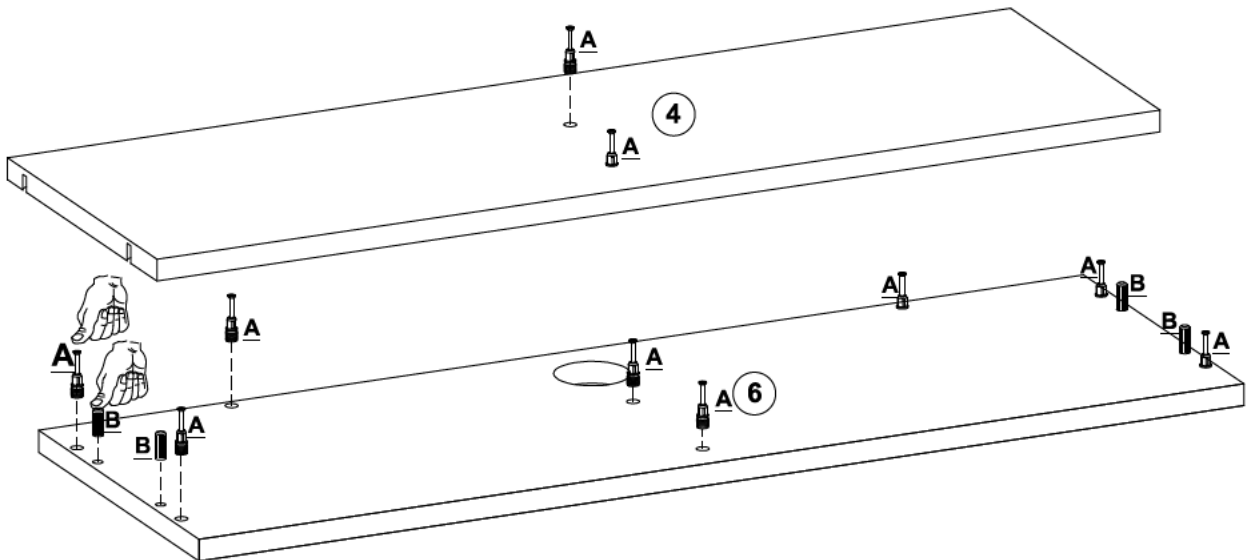
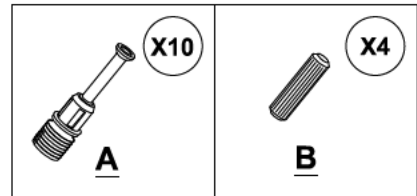
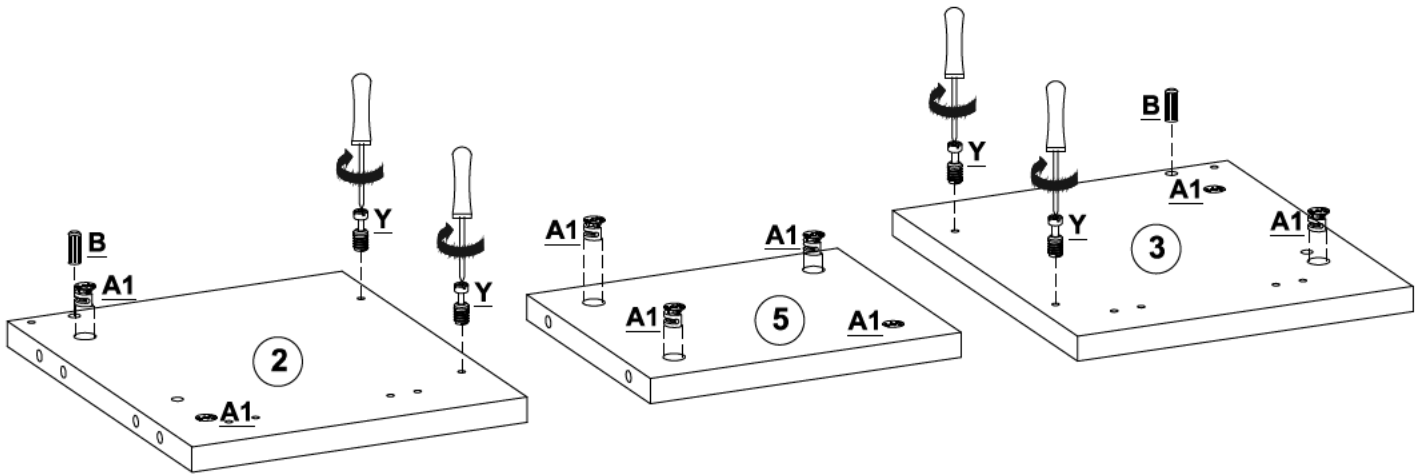
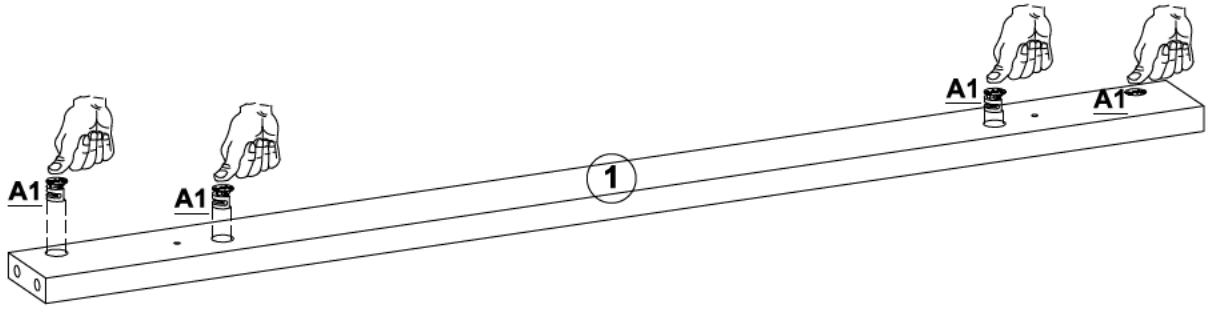
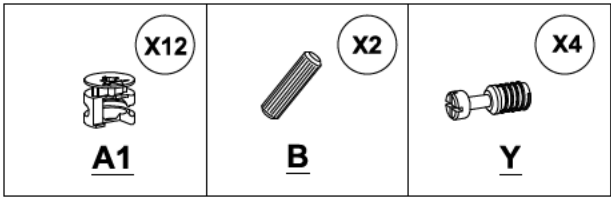


Details on the use of accessories

*When setting up your furniture, you can follow the placement of accessories here.









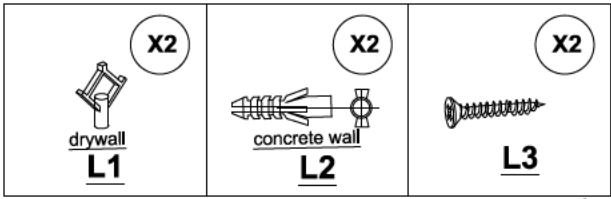
WARNING! Please read this page.

Since the product you purchased will be installed on the wall, proper positioning is important. When mounting on the wall, first mark the total measurements on the wall. Then, drill holes according to the marks and proceed with the installation. To ensure alignment in side-by-side modules, check the level with a spirit level each time.

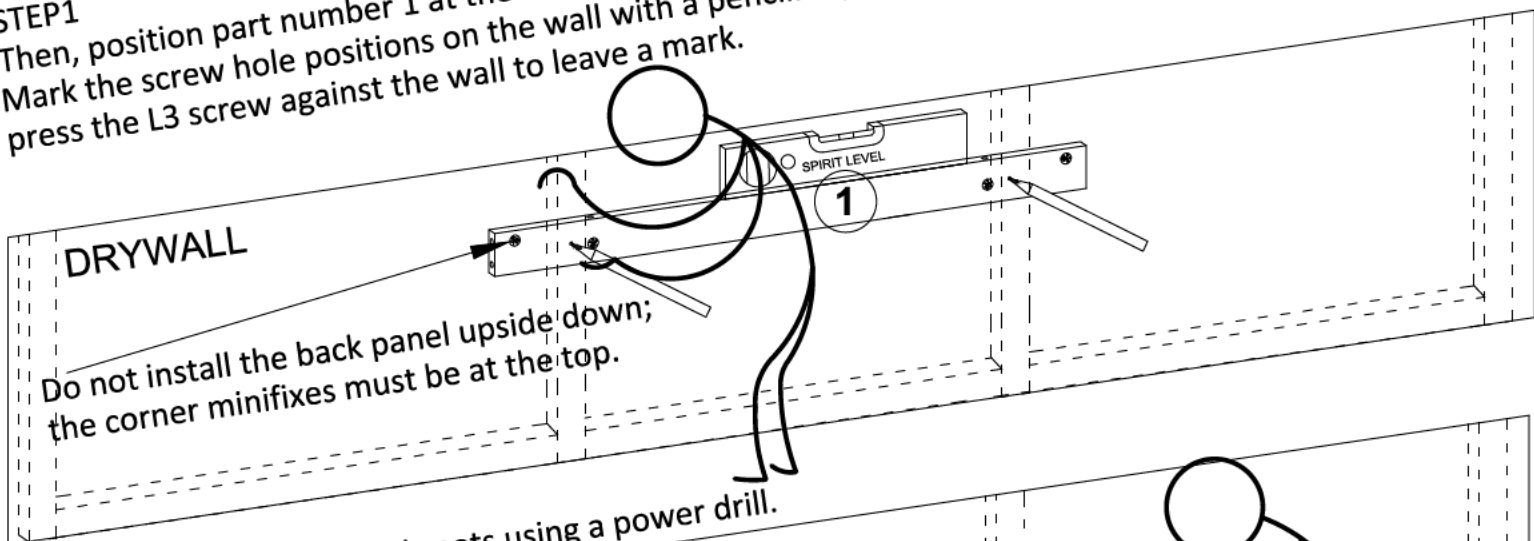
If you are uncertain about details such as wall type, thickness, or the location of electrical and plumbing installations, we recommend seeking professional installation assistance.

For ease of installation, you will need to use a power drill while following the steps below.

The box includes only drywall and concrete anchors with mounting screws. Use anchors and screws suitable for your walls. Carefully read and follow each step of the instructions.

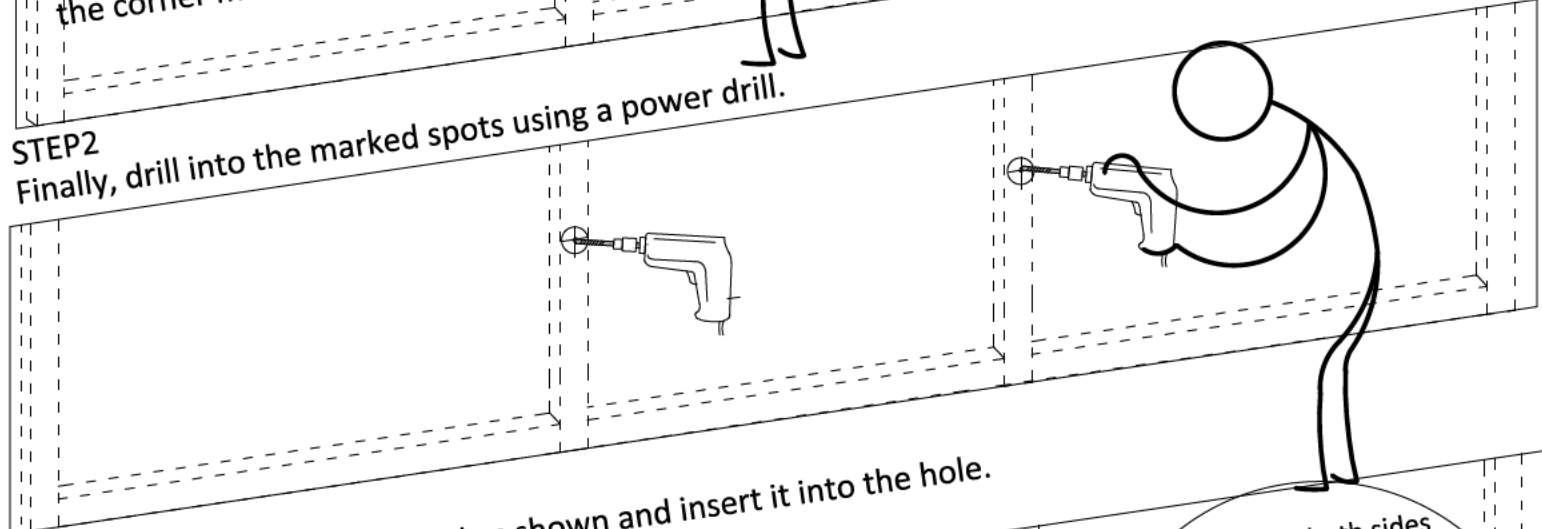


STEP1
 Then, position part number 1 at the desired height and use a spirit level to ensure it is parallel to the wall.
 Mark the screw hole positions on the wall with a pencil. If you don't have a fine-tipped pencil, you can press the L3 screw against the wall to leave a mark.

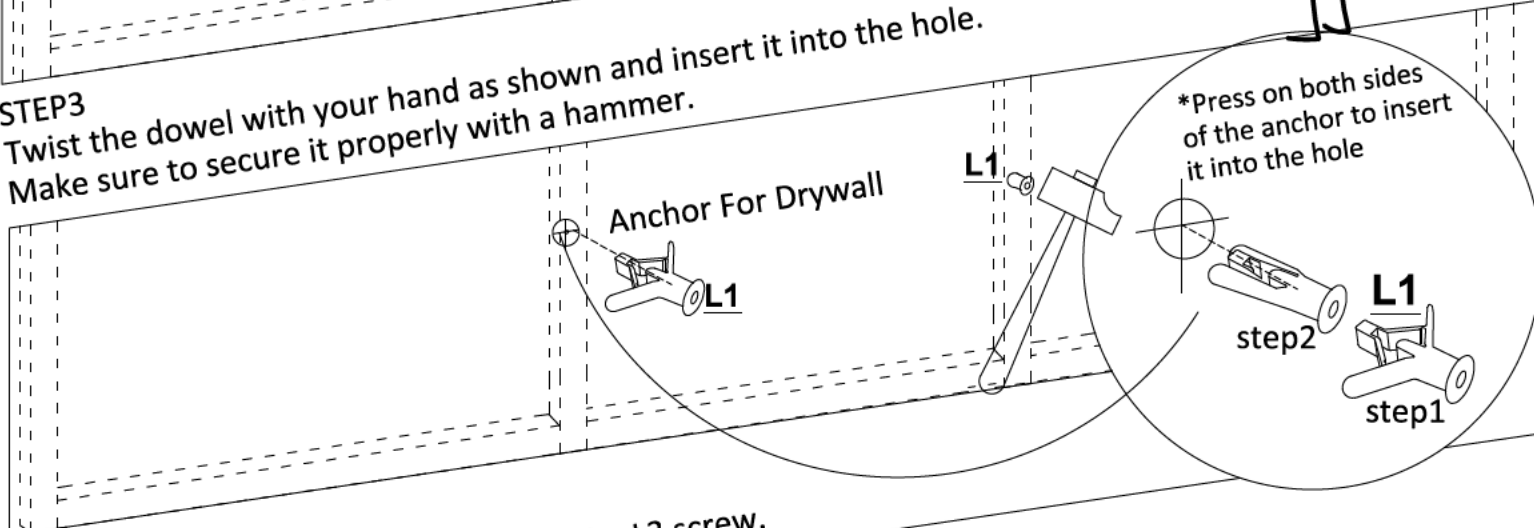


Do not install the back panel upside down; the corner minifixes must be at the top.

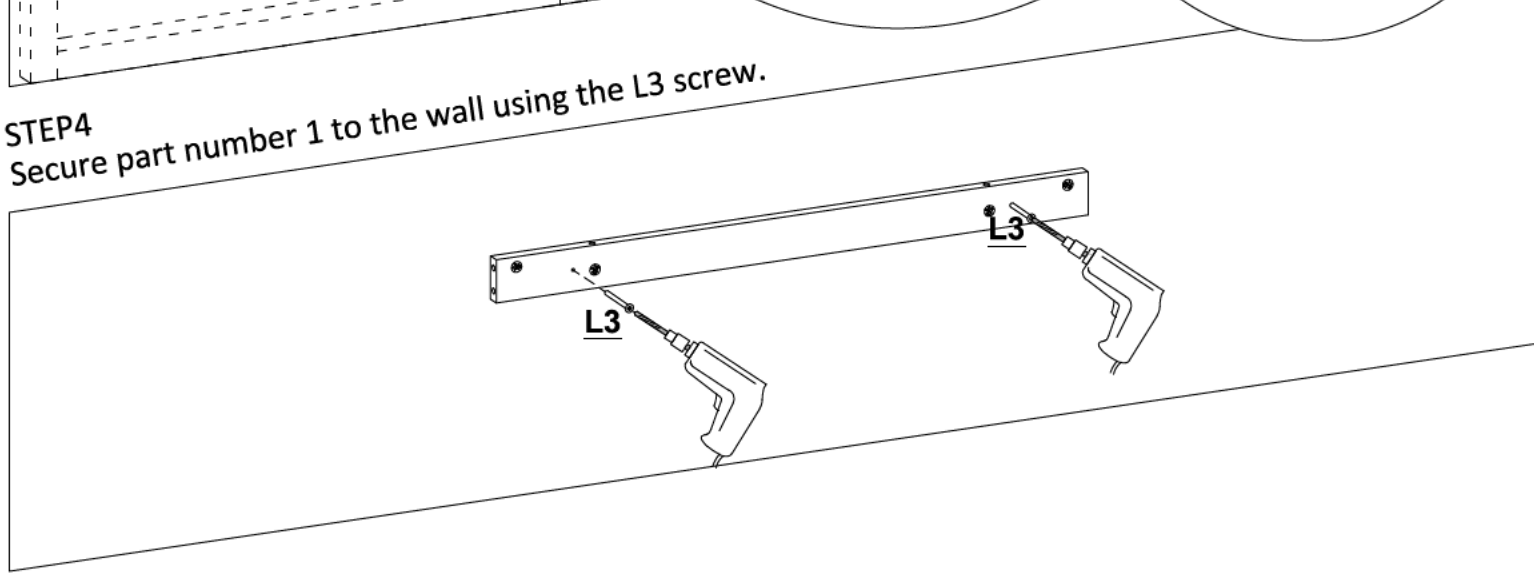
STEP2
 Finally, drill into the marked spots using a power drill.

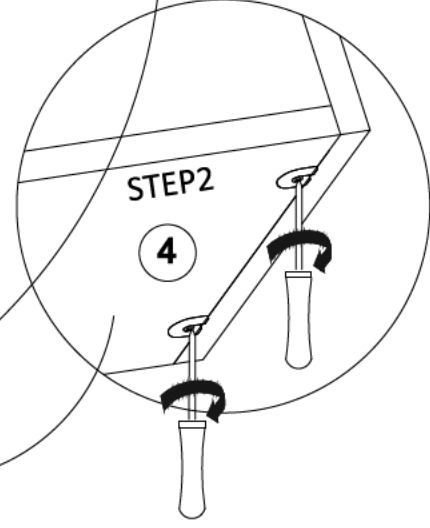
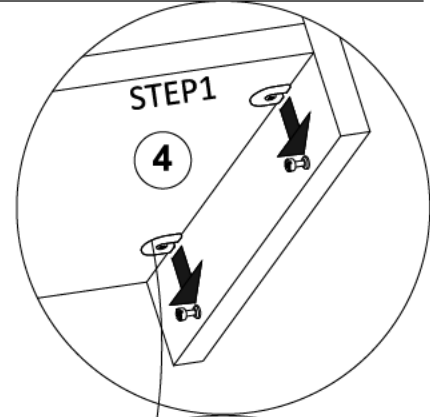
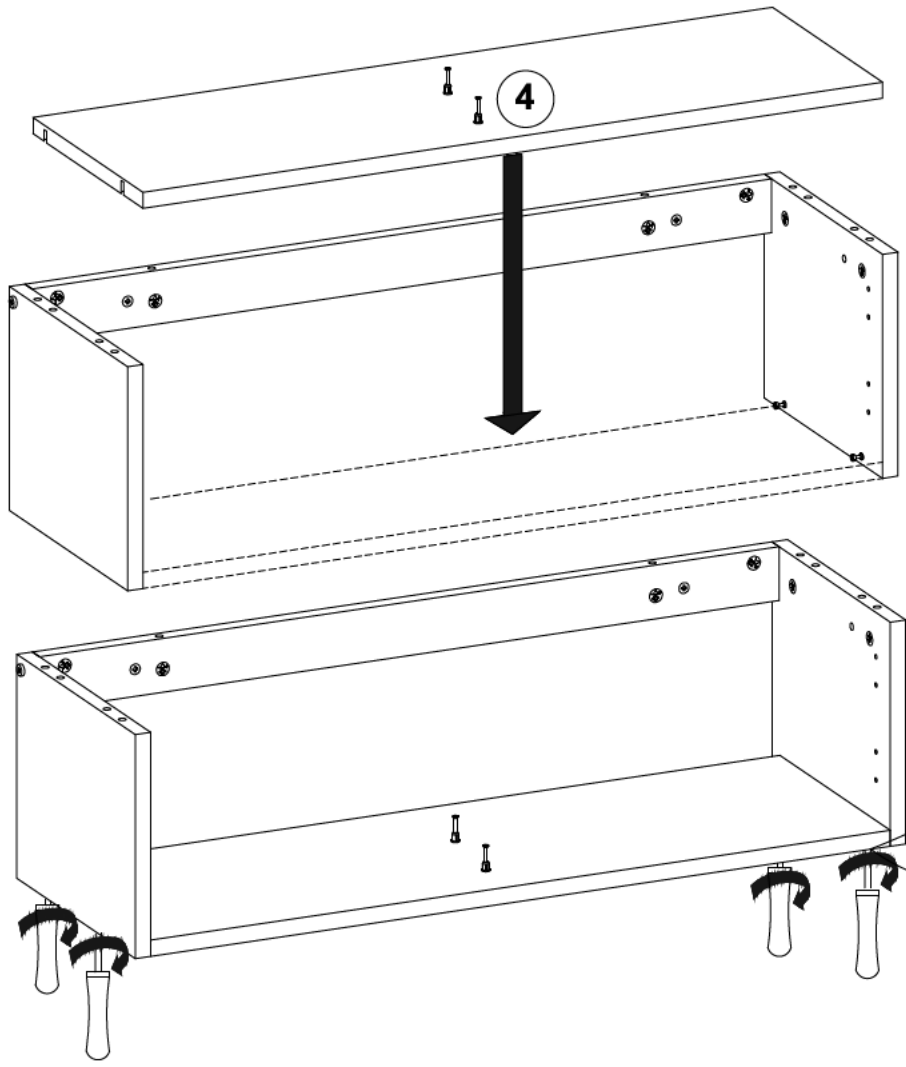
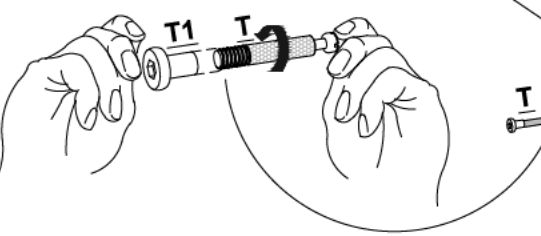
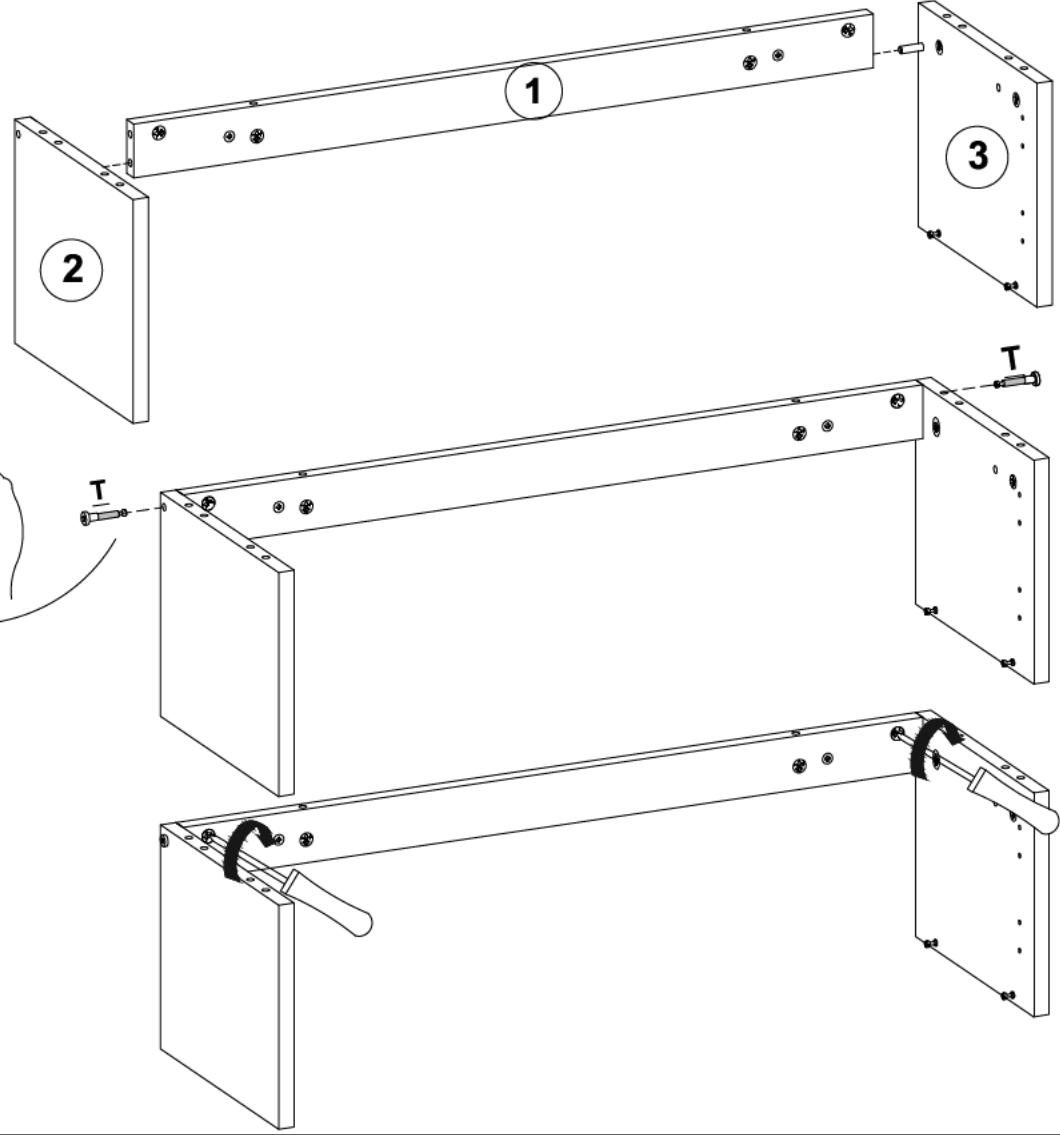
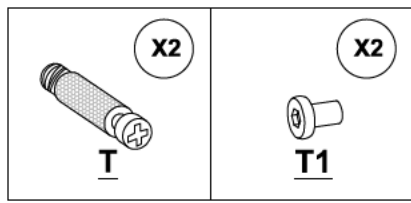


STEP3
 Twist the dowel with your hand as shown and insert it into the hole.
 Make sure to secure it properly with a hammer.

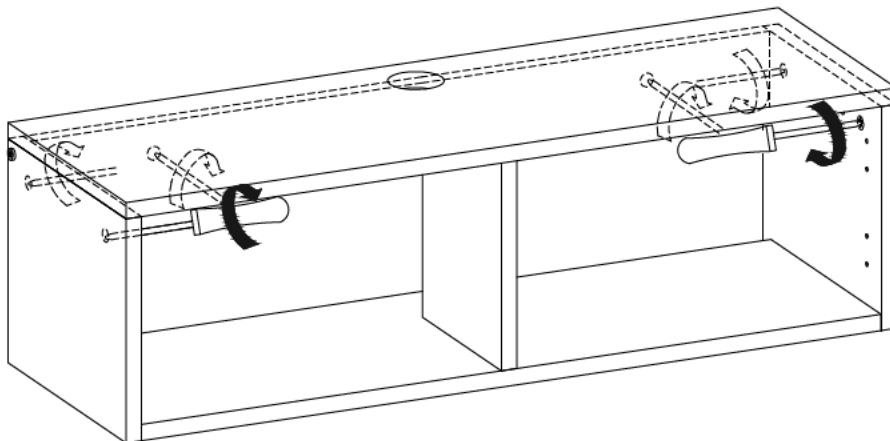
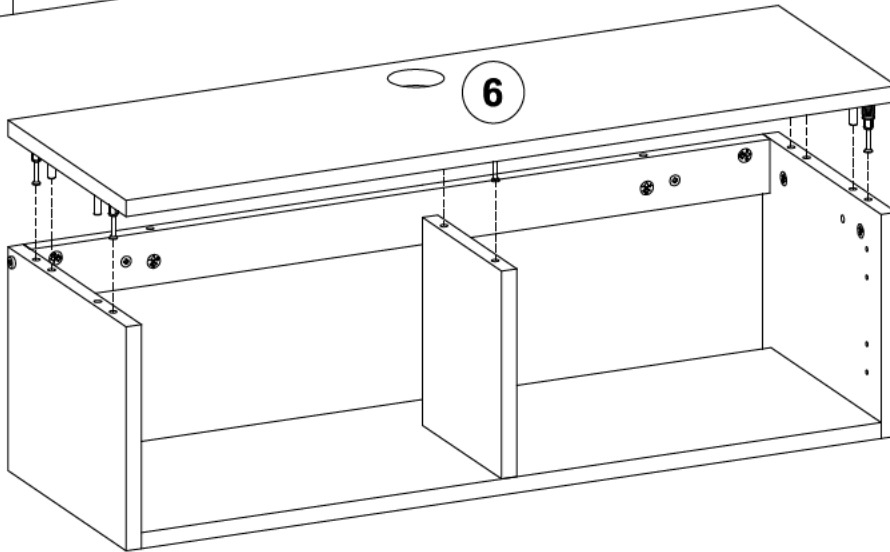
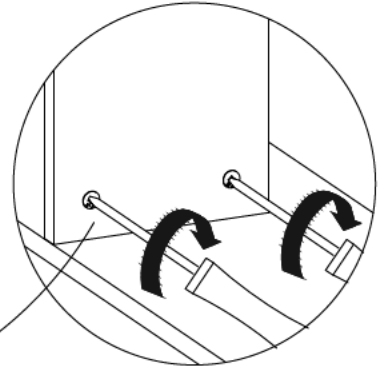
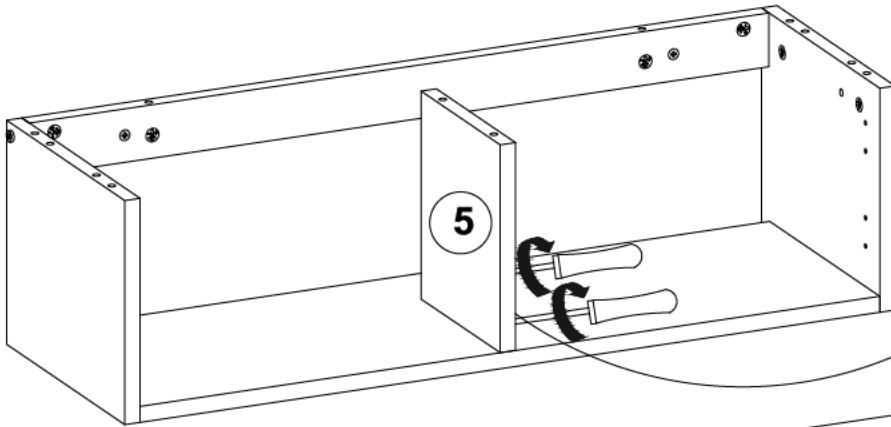
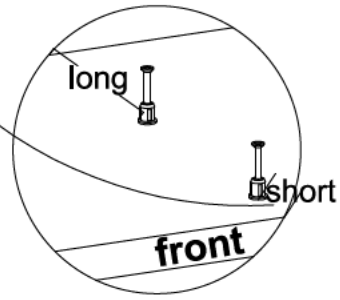
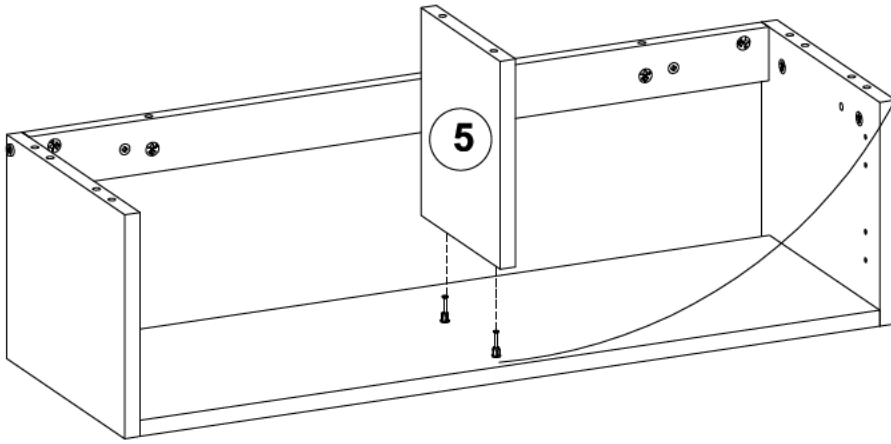


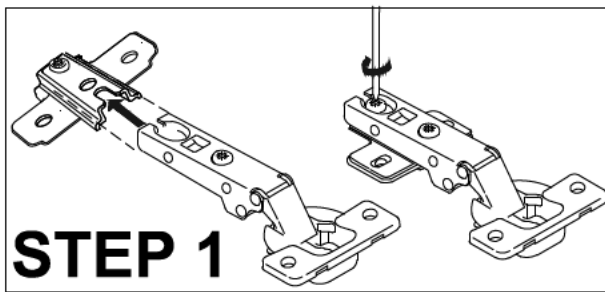
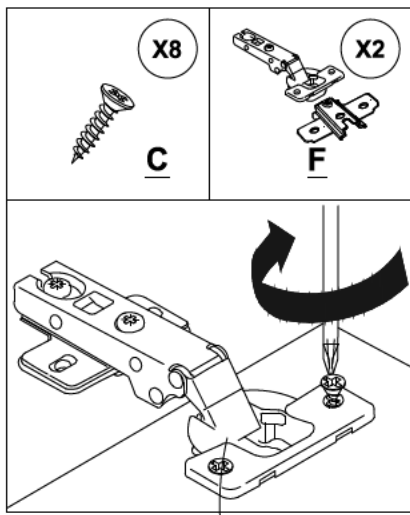
STEP4
 Secure part number 1 to the wall using the L3 screw.



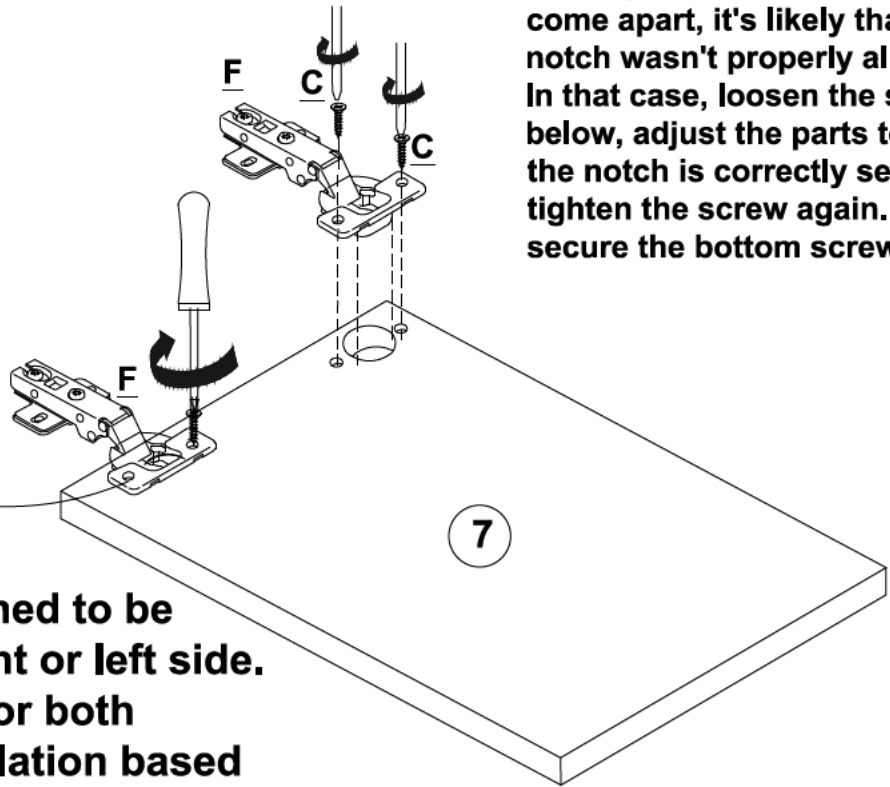


****The side of the bottom panel where the holes are closer should face forward.**



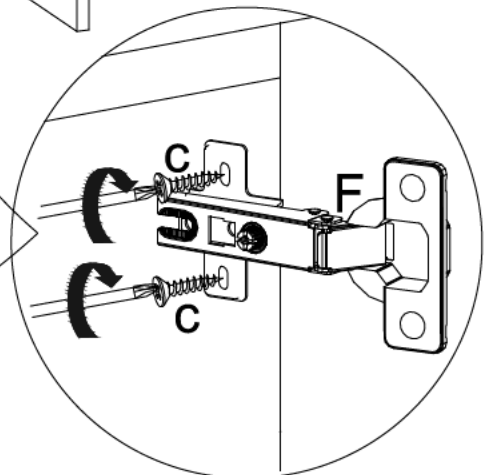
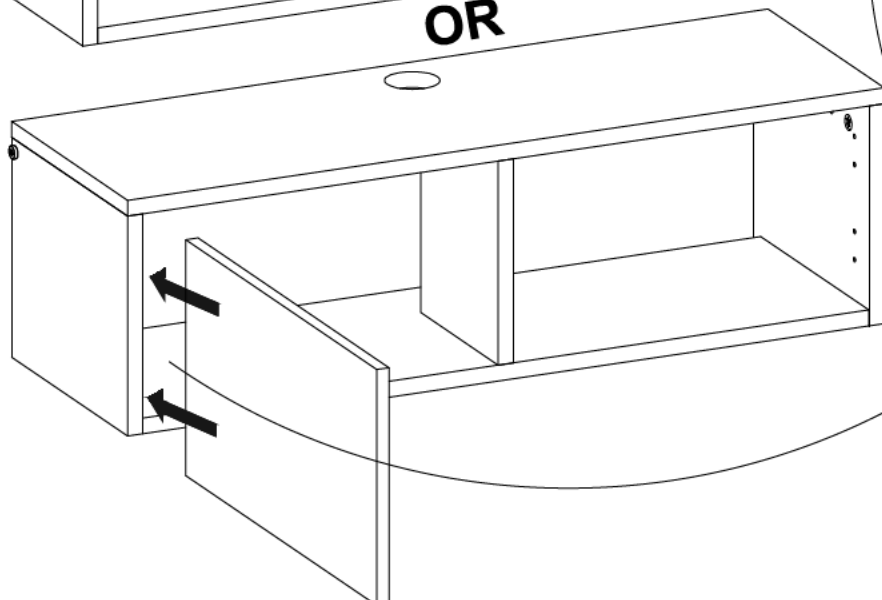
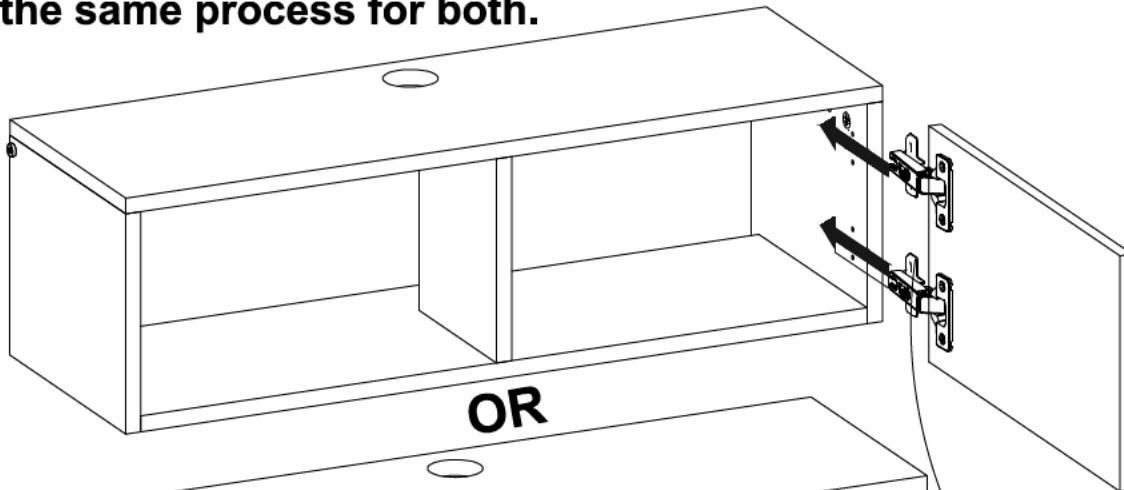


****As shown in the image, align these two parts so they fit snugly into the notch below. Make sure they are properly seated, then tighten the screw. Afterward, gently pull the pieces to check. If they don't separate, the process is complete! However, if they do come apart, it's likely that the notch wasn't properly aligned. In that case, loosen the screw below, adjust the parts to ensure the notch is correctly seated, and tighten the screw again. Finally, secure the bottom screw firmly.**

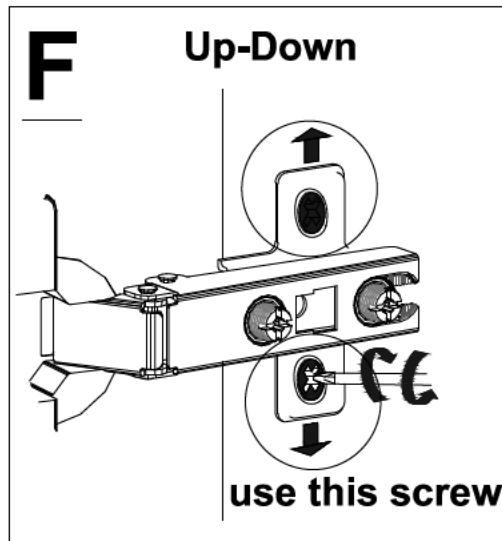
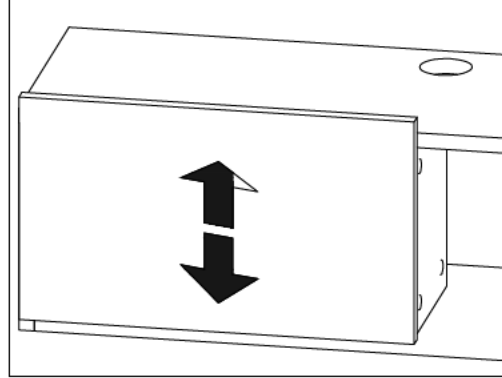
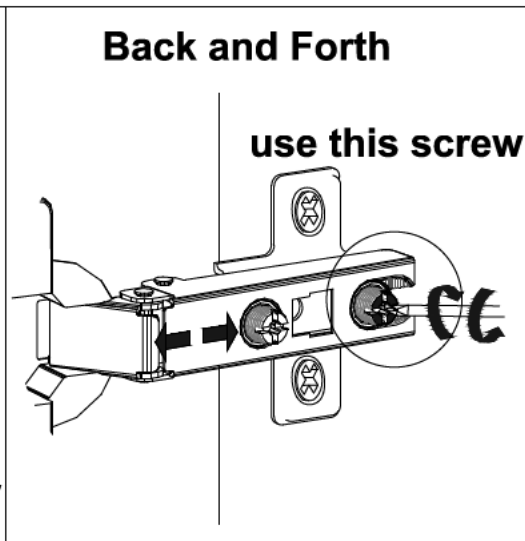
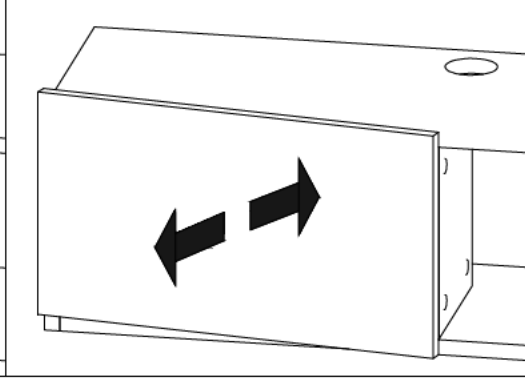
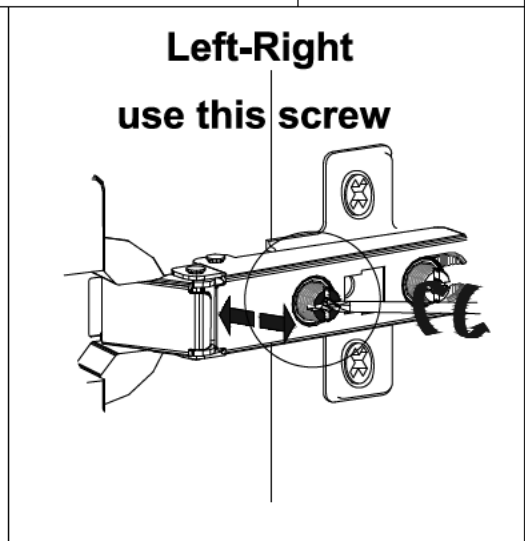
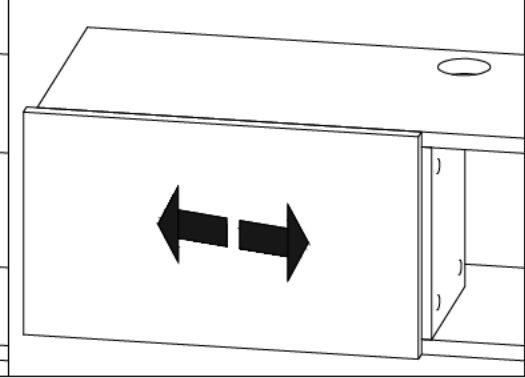


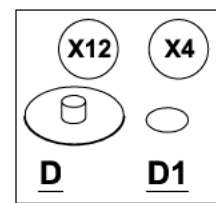
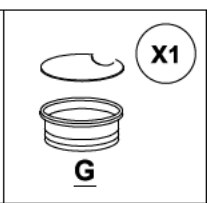
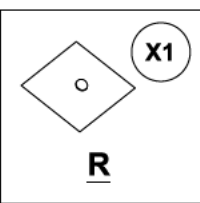
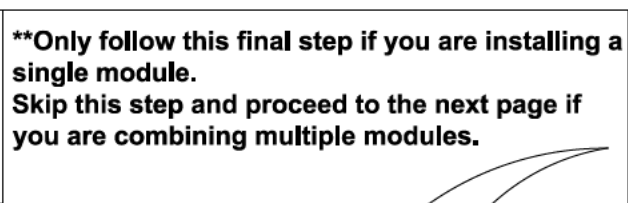
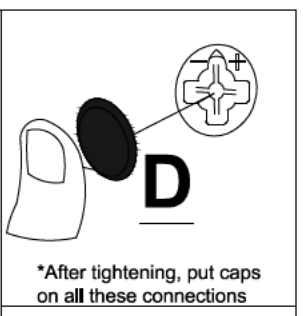
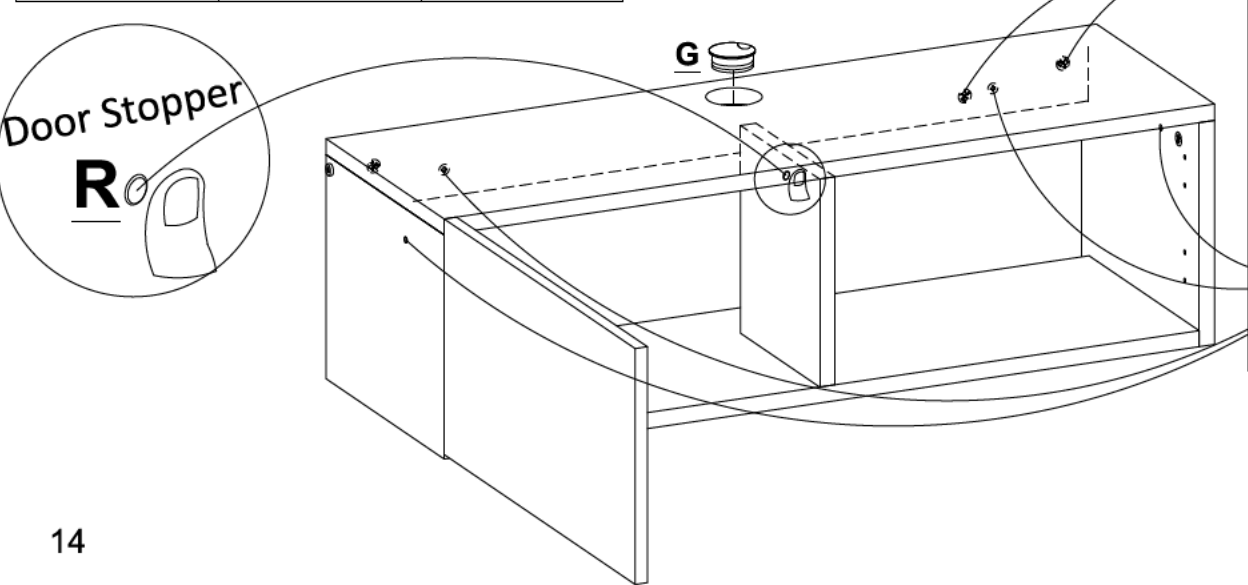
****The unit's door is designed to be mounted on either the right or left side. Hinge holes are suitable for both directions, allowing installation based on preference.**

****If the product has two doors, repeat the same process for both.**



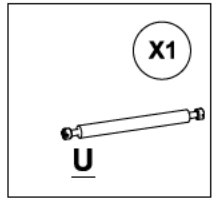
Door Adjustments

<p>F Up-Down</p>  <p>use this screw</p> 	<p>Back and Forth</p> <p>use this screw</p>  <p>use this screw</p> 	<p>Left-Right</p> <p>use this screw</p>  <p>use this screw</p> 
--	--	--

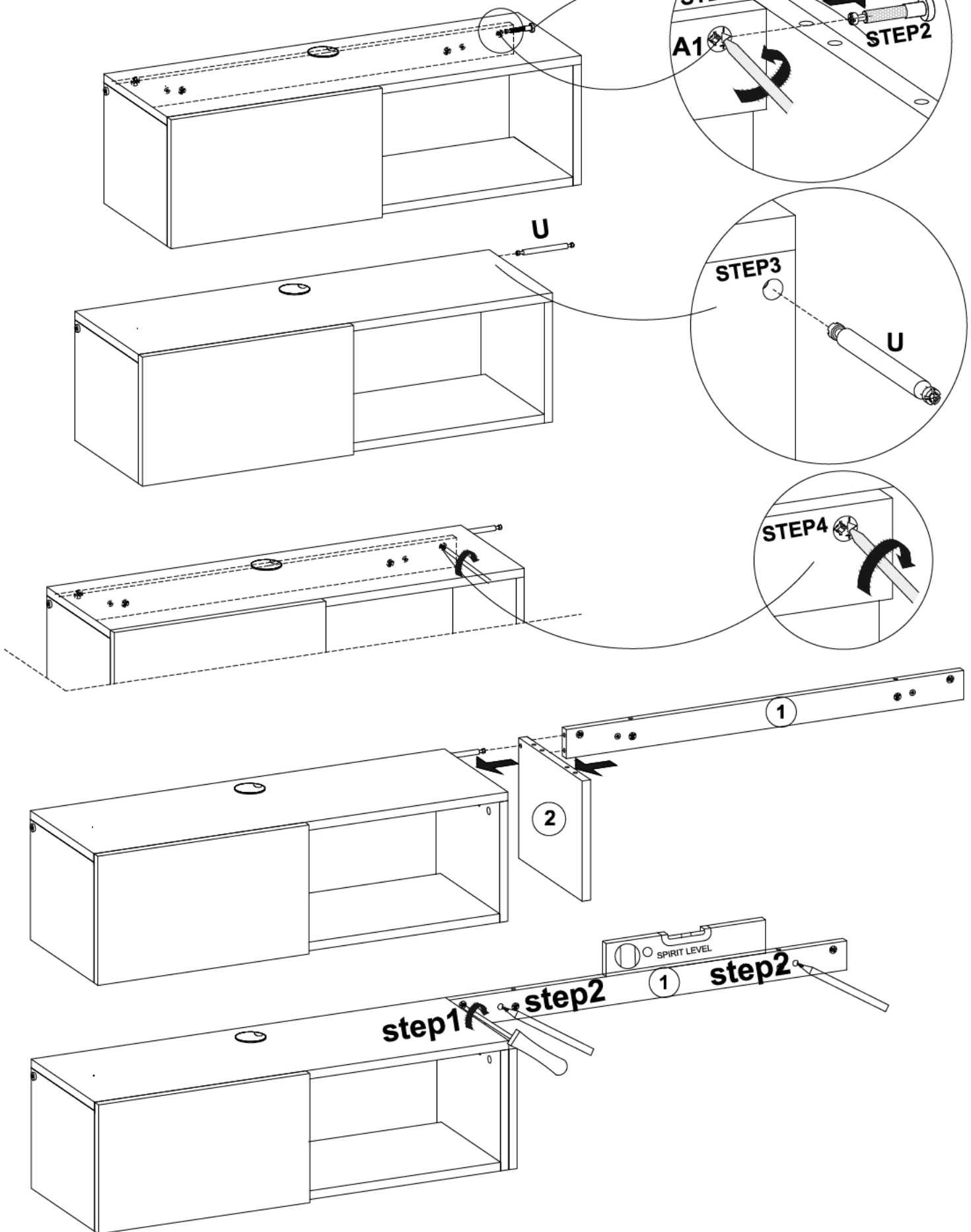
<p>X12</p>  <p>D</p>	<p>X4</p>  <p>D1</p>	<p>X1</p>  <p>G</p>	<p>X1</p>  <p>R</p>	<p>**Only follow this final step if you are installing a single module. Skip this step and proceed to the next page if you are combining multiple modules.</p>  <p>D</p> <p>*After tightening, put caps on all these connections</p>
 <p>Door Stopper R</p>				<p>D1</p>

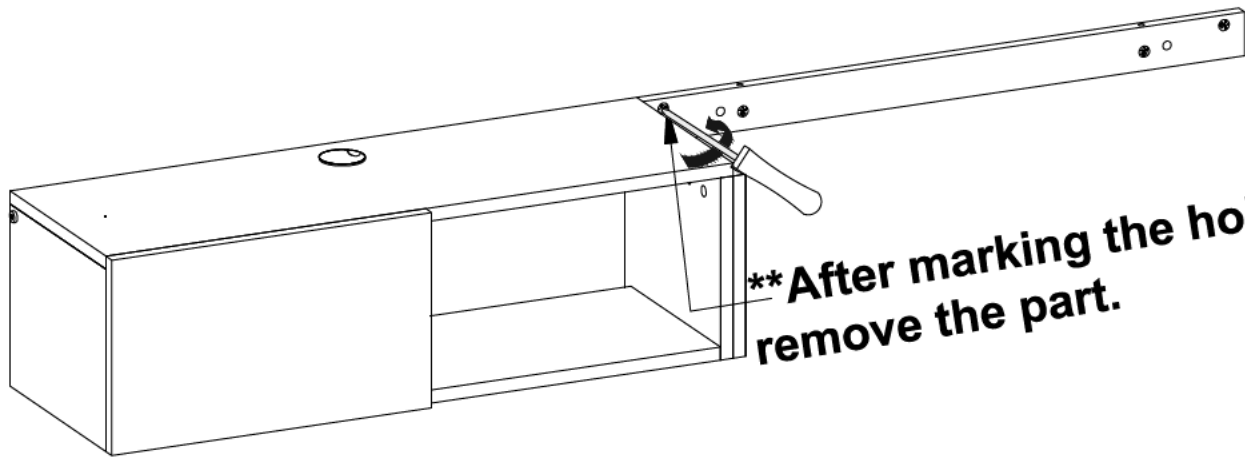
If You Want to Combine Multiple Modules

Before proceeding to this step, prepare all parts as shown on page 8.

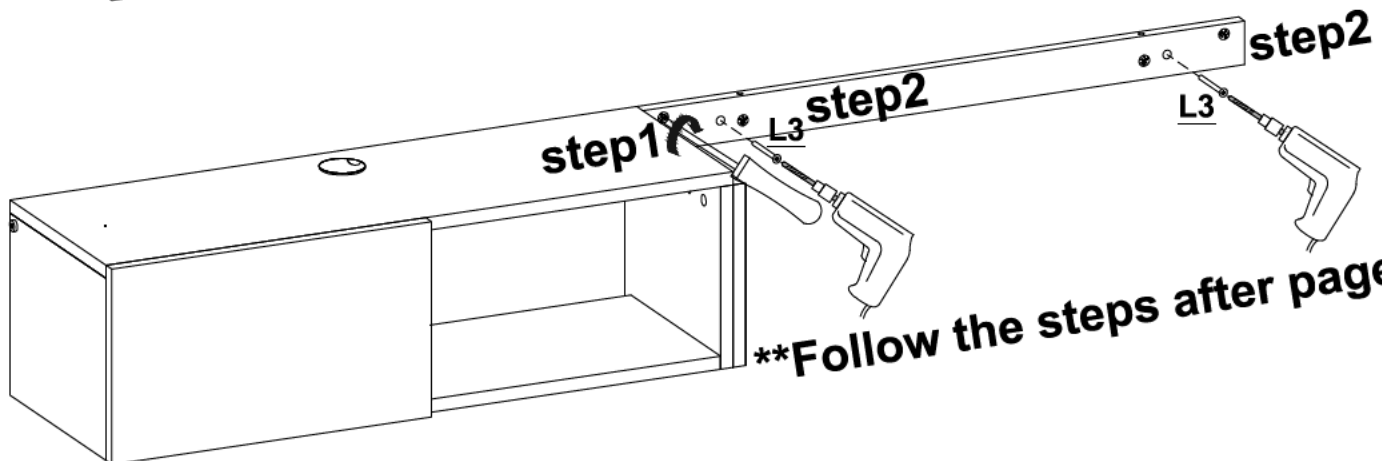
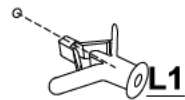
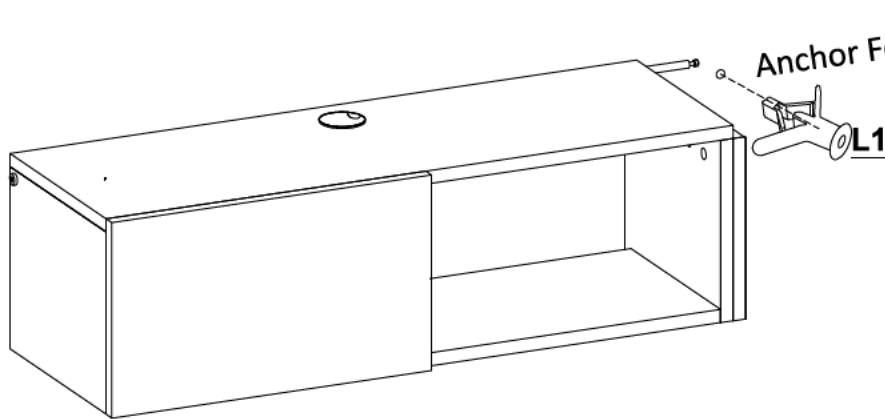
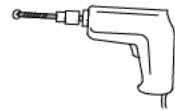
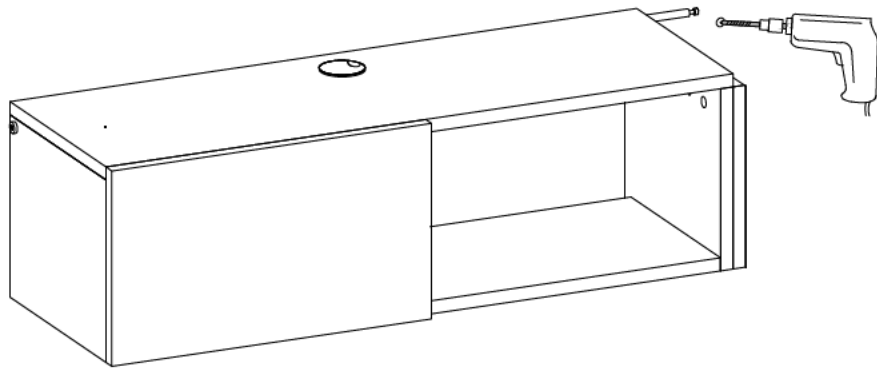


**Loosen the marked connection screw (A1) and remove the T-shaped part you installed.

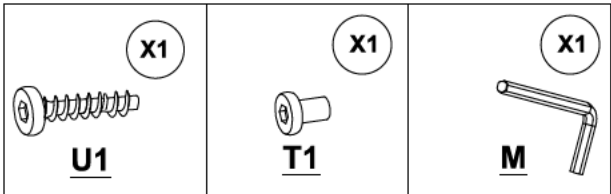




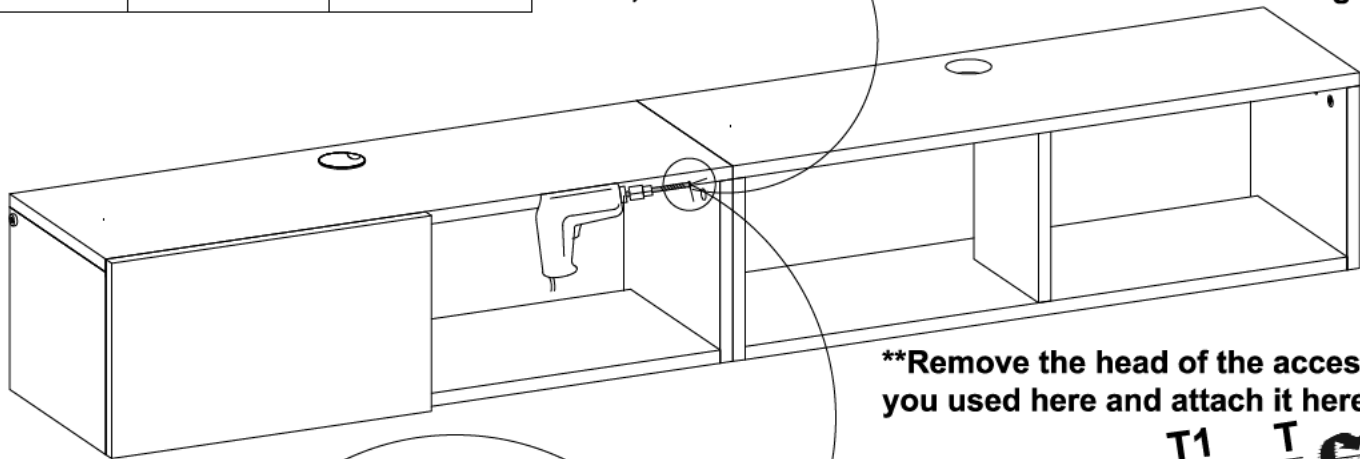
****After marking the hole positions, remove the part.**



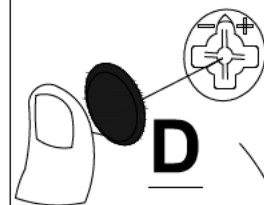
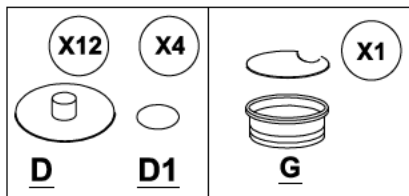
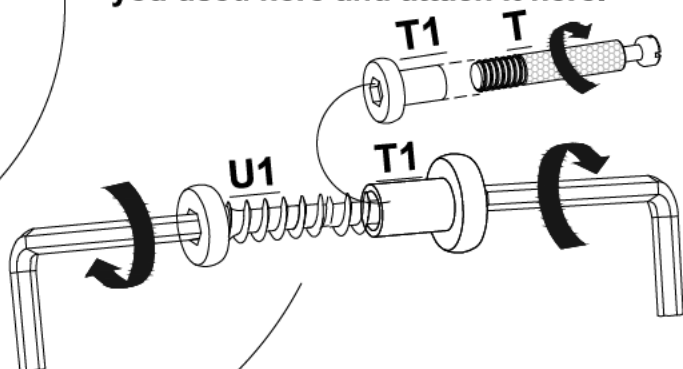
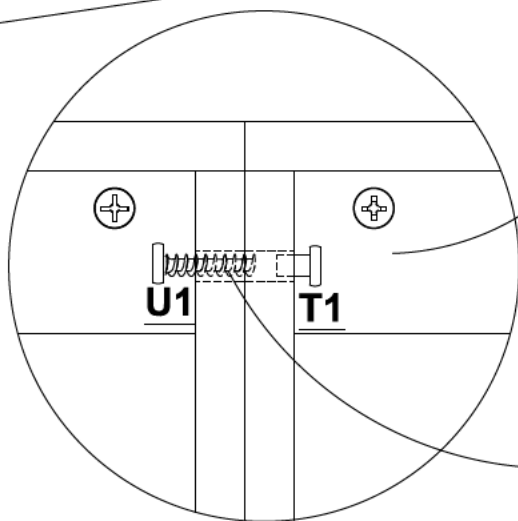
****Follow the steps after page 11.**



****After the modular installation is complete, gaps or height differences may occur between the modules due to any potential wall curvature. To prevent this, use a drill to slightly enlarge the partially opened holes, turning them into full holes, and connect the modules as shown in the diagram.**



****Remove the head of the accessory you used here and attach it here.**



***After tightening, put caps on all these connections**

