

ZEKOO

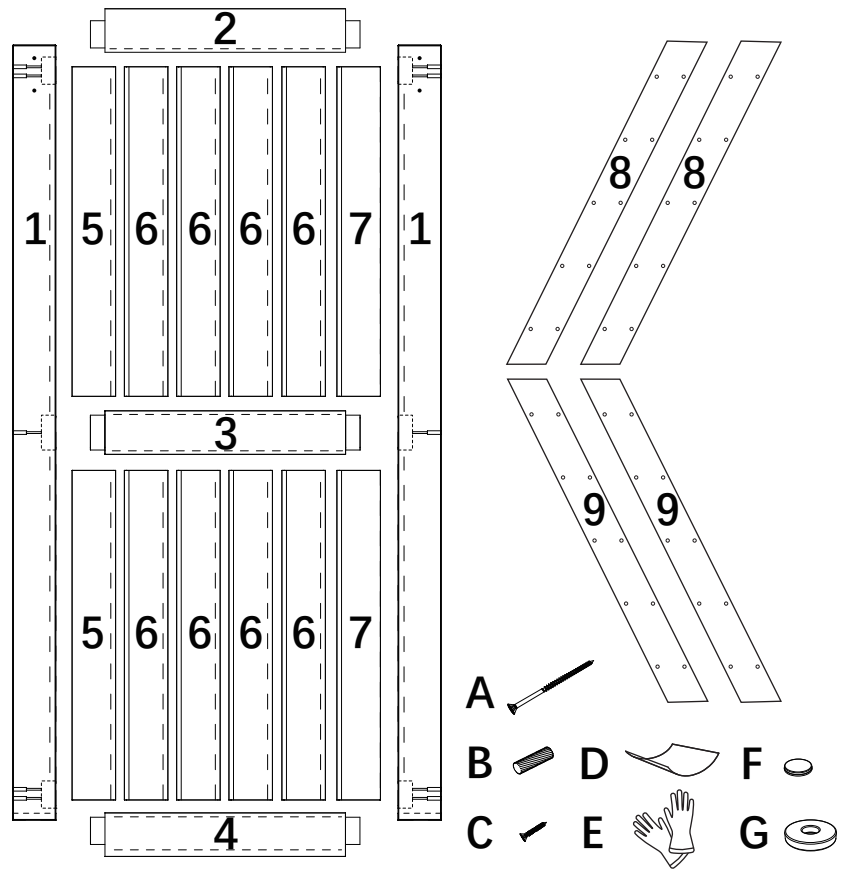
36" x 84" Barn Door
Installation Instruction

36" x 84" Barn Door Installation Instruction

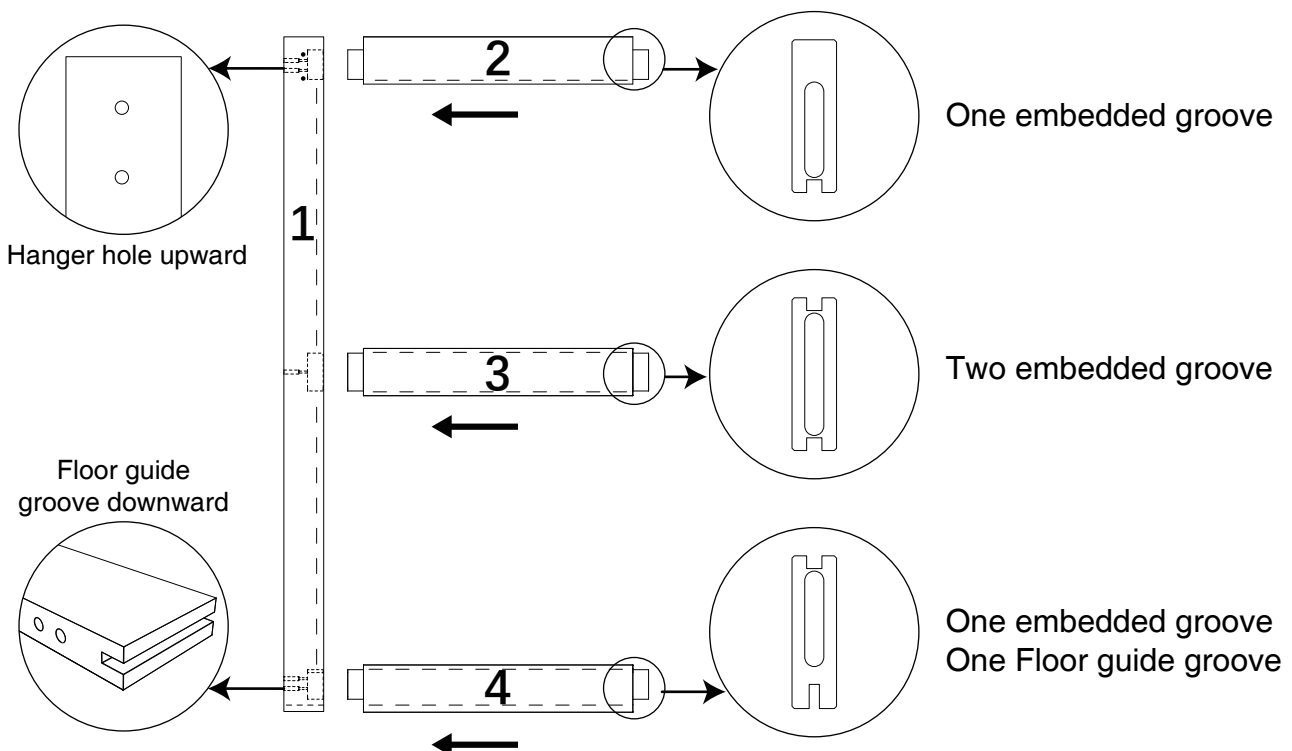
Note: If the product is damaged or missing part, or there is any problem in the installation, please email us to "info@zekoohardware.com" and provide your "ORDER ID", we will solve for you as soon as possible.

Package List

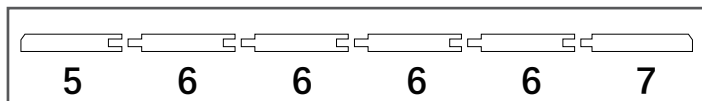
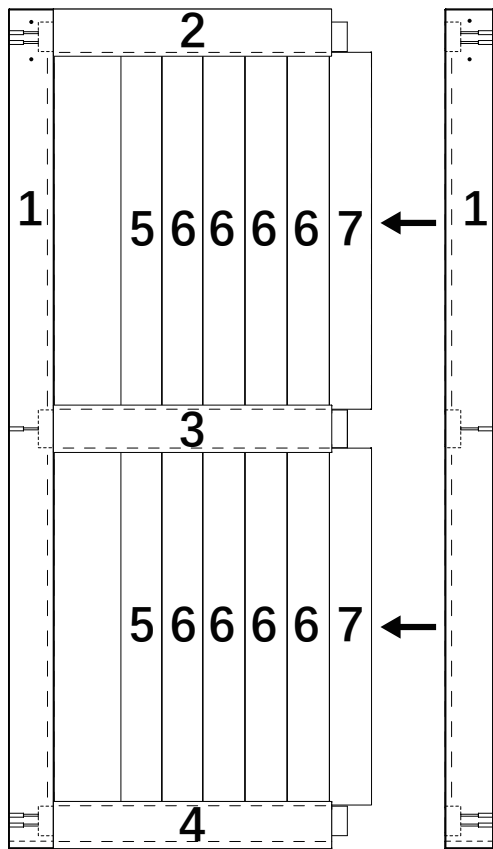
No.	Name	Quantity
1	Side Stile	2
2	Top Rail	1
3	Middle Rail	1
4	Bottom Rail	1
5	Left Side Slat	2
6	Middle Slat	8
7	Right Side Slat	2
8	Diagonal Plank	2
9	Diagonal Plank	2
A	3-9/16" Lag Bolts	10
B	Wood Plug	10
C	13/16" Lag Bolts	40
D	Sandpaper	2
E	Glove	1
F	Door Crash Pad	4
G	Hanger Bolts Adjustable Washer	4



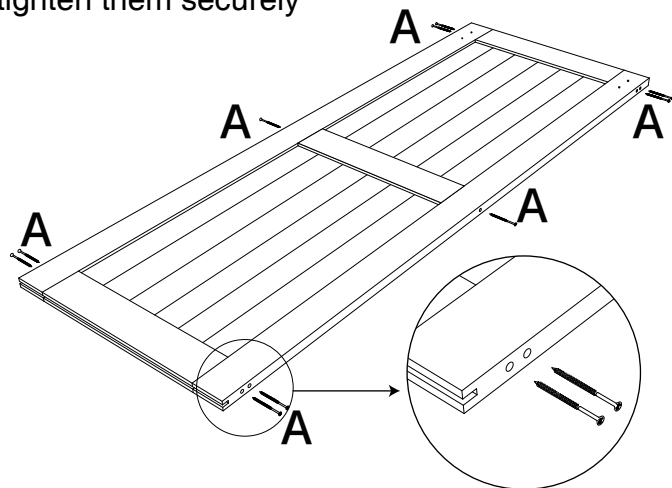
Step 1. Assemble on clean and flat ground, find the No.1 (side stile) and let the grooved side face to the right, find the No.2 (top rail), No.3 (middle rail), No.4 (bottom rail) to put into the groove of No.1 (side stile)



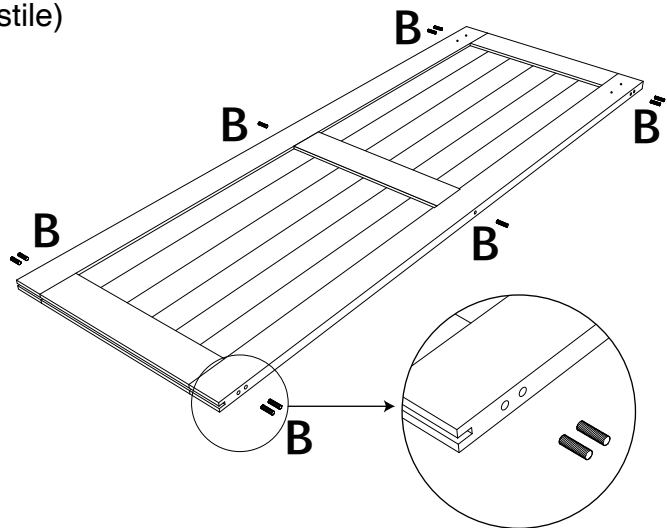
Step 2. Find the 2 pcs of No.5 (left side slat) insert into No.1 (left side stile), then insert 8 pcs of No.6 (middle slat) one by one and insert 2 pcs of No.7 (right side slat) to No.6, finally assemble another No.1 (right side stile)



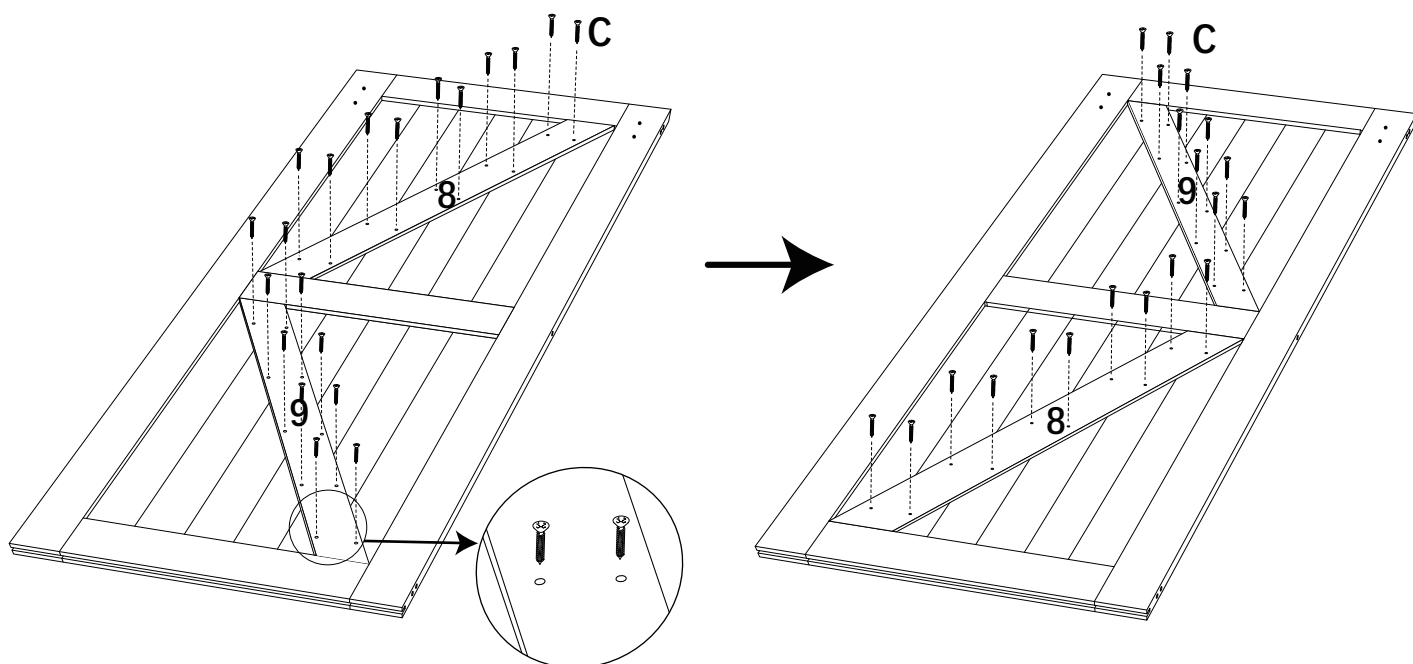
Step 3. Insert the 10 pcs of A (3-9/16" lag bolts) into No. 1 (left side stile and right side stile) and tighten them securely



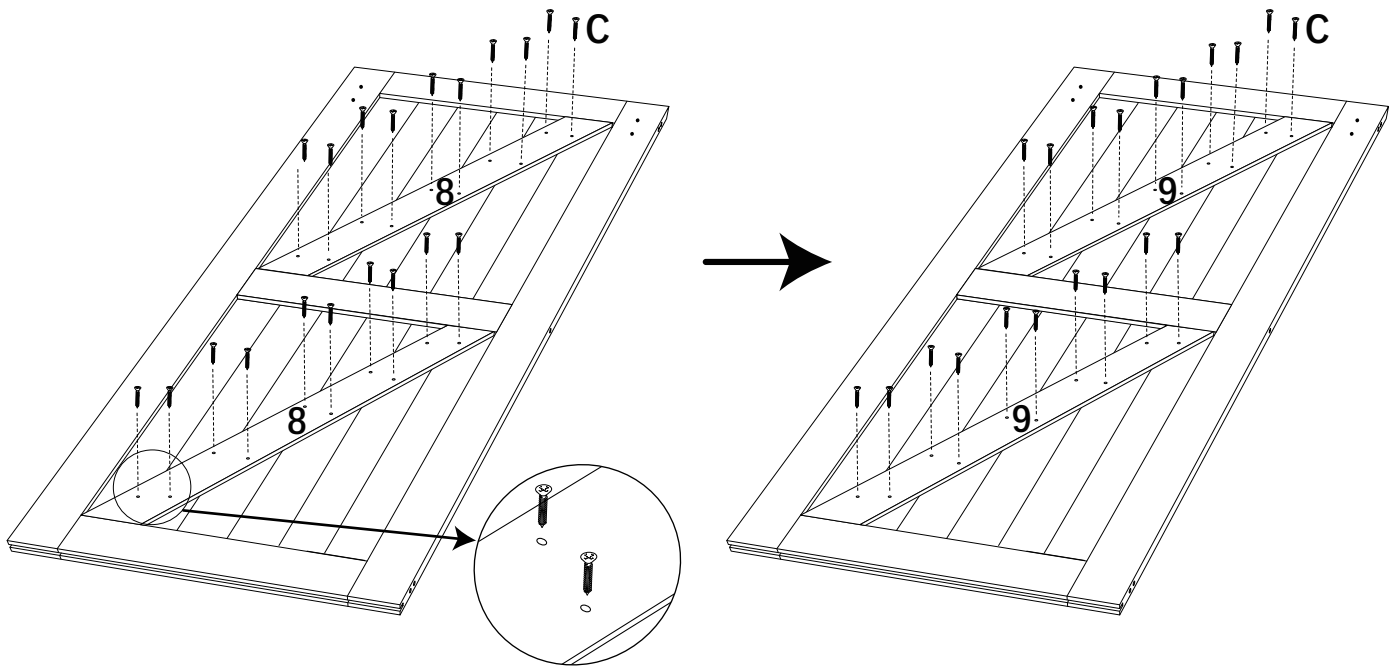
Step 4. Insert the 10 pcs of B (wood plug) into all holes of No. 1 (left side stile and right side stile)



Step 5. Install the No. 8 (diagonal overlay) and No. 9 (diagonal overlay) using C (13/16" lag bolts) on the front of door, then turn the door over, install the other side.



You also install this style



⚠ WARNING

- It is recommended to wear protective equipment during installation and transportation to prevent sprain and bruise.
- If the door is not securely installed, it may cause the door to move or fall apart unexpectedly. Please make sure all the screws are in place and tighten before hanging.
- Please note that body parts (such as hair, fingers, etc.) stuck in the moving parts during installation may cause squeezing and serious injury.
- The door is heavy, we recommend 2 people for this build. Close the door carefully and do not get caught, such as fingers and babies. Improper handling may cause loss of balance and serious injury.

⚠ ABOUT SOLID WOOD DOORS

- The slab belongs to natural wood, it is likely to deform and expand slightly when exposed to moisture, it is a normal natural phenomenon, please keep away from the humid environment.
- In the production process we have sanded the edges of the slabs, but it is still possible to get some burrs. You can use the included sandpaper to smooth it, It is not a product defect.
- Natural wood itself contains nodules, which are not adjustable and controllable, It is not a product defect or quality problem
- It is recommended that you paint the slab after installation, which can prevent the door from moisture and scratches, while extending the service life of the product.

Email: info@zekoohardware.com