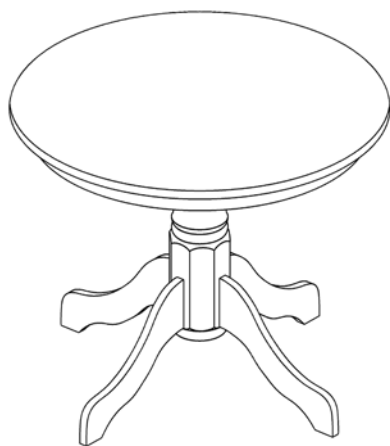


DINING TABLE

ASSEMBLY GUIDE



Important - Please read these instructions fully before starting assembly



SAFETY AND CARE ADVICE



NO POWER TOOLS

SAFETY AND CARE ADVICE

- Check you have all the components and tools listed.
- Remove all fittings from the plastic bags and separate them into their groups.
- We do not recommend the use of power drills/drivers for inserting screws, as this could damage the unit. Only use hand screwdrivers and Allen keys.
- Keep children and animals away from the work area, small parts could cause choking if swallowed.
- Make sure you have enough space to lay out the parts before starting.
- Assemble the item as close to its final position (in the same room) as possible.
- Do not overtighten the nuts to avoid causing damage to the threads.
- Only clean using a damp cloth and mild detergent, do not use bleach or abrasive cleaners.
- From time to time check that there are no loose screws on this unit
- This product should not be discarded with household waste. Take to your local authority waste disposal centre

IMPORTANT INFORMATION



30 MINUTE
BUILD







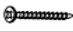



TWO
PERSON



MAXIMUM
CAPACITY
120Kg

PLEASE CHECK CAREFULLY AND MAKE SURE YOU HAVE ALL FITTINGS AND TOOLS LISTED BELOW BEFORE YOU START.

LIST OF PARTS		
No	Description	Qty
1	Table Support	2 PCS
2	Pedestal	1 PC
3	Pedestal Legs	4 PCS
4	Table Top	1 PC

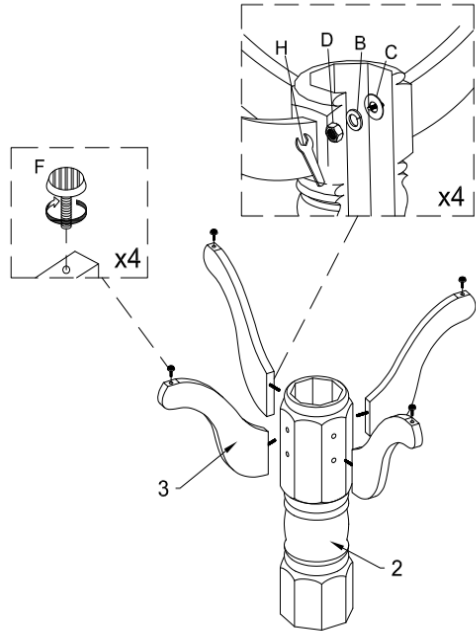
HARDWARE LIST		
No	Description	Qty
A	JCBC BOLT 	4 PCS
B	Spring Washer 	8 PCS
C	Flat Washer 	4 PCS
D	Hex Nut 	4 PCS
E	Wood Screw 	8 PCS
F	Height Adjuster 	4 PCS
G	Allen Key 	1 PC
H	Hex Wrench 	1 PC

STEP 1

Use a clean, flat, soft surface to avoid any bumps or scratches.

Slot the pre attached bolts on 4 x pedestal legs [3] into the pre drilled holes on the pedestal [2]. Secure using 4 x flat washer [C], 4 x spring washer [B] and 4 x hex nut [D]. Tighten using hex wrench [H].

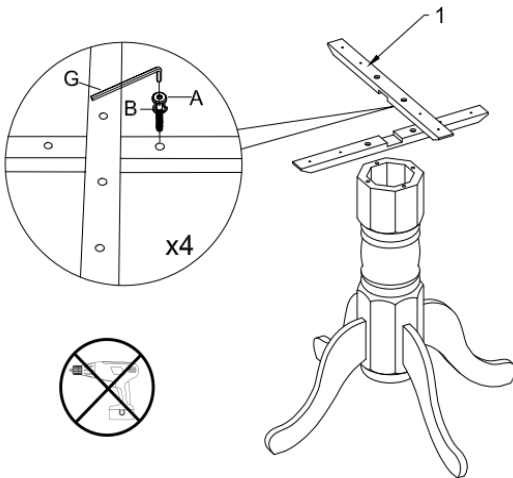
Insert 4 x height adjuster feet [F] into the pre drilled holes at the end of each pedestal leg [3]



STEP 2

Carefully turn the pedestal base onto the legs.

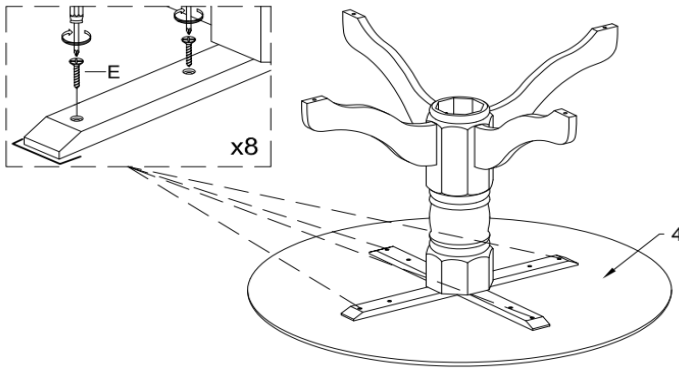
Slot 2 x table supports [1] diagonally across each other and align with the holes on the pedestal [2]. Secure using 4 x spring washer [B] and 4 x bolt [A]. Tighten using allen key [G].



STEP 3

Place the table top [4] upside down on a flat surface.

Carefully, and with help, place the pedestal base upside down onto the table top [4], ensuring the holes align with the table supports [1]. Secure using 8 x wood screw [E] and tighten with a screwdriver.



STEP 4

Carefully, and with help, flip the table upright on to the legs.

Check the stability.

Your Dining table is now ready to use!



OUR 2 YEAR GUARANTEE

our products come with a 2 year guarantee
to give you peace of mind shopping

some garden furniture items
have a 1 year guarantee



WHAT THE GUARANTEE COVERS



PRE-INSERTED FIXINGS
e.g. loose metal threads



FAULTY JOINTS
e.g. legs bending



EXTERNAL FIXING FAULTS
e.g. metal discs removing
from table top



STRUCTURAL INTEGRITY
e.g. the frame of the
product