







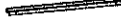
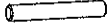





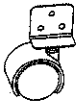


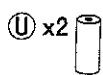
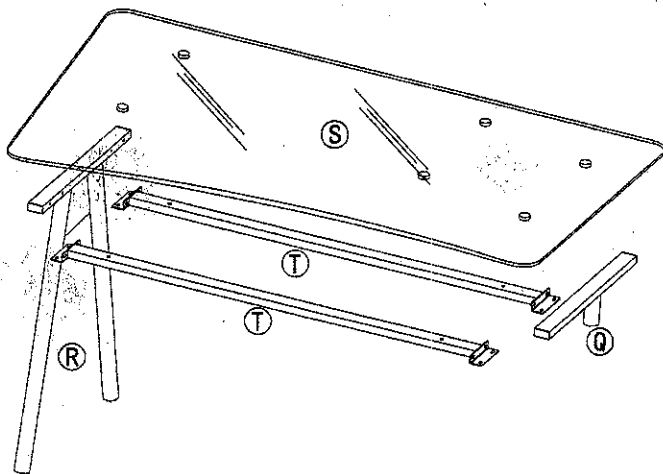
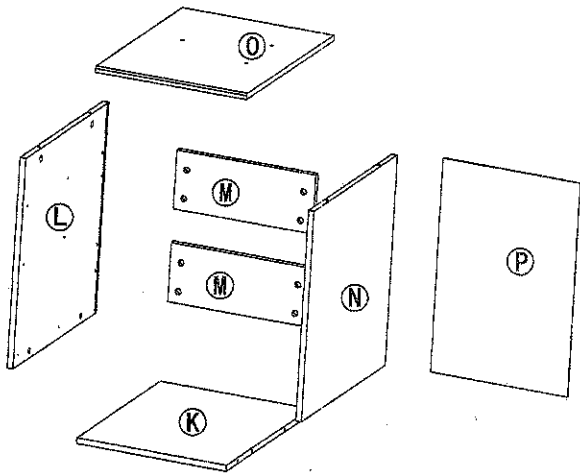
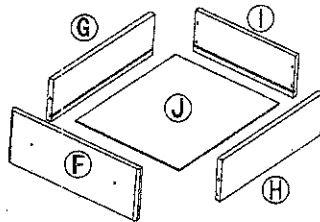
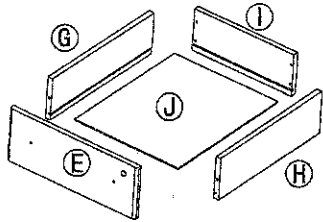
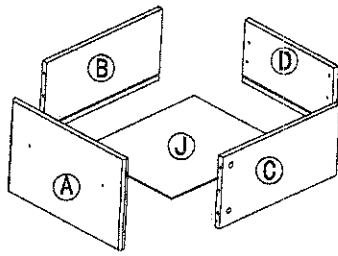


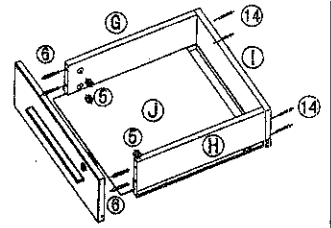
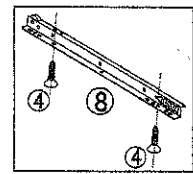
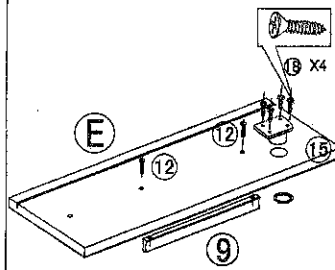
IMPORTANT: DON'T FASTEN BOLTS UNTIL ALL PARTS IN POSITION.

FITTINGS CHECKLIST

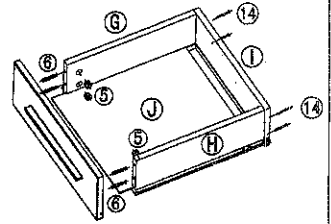
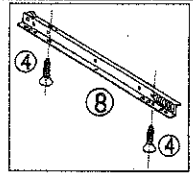
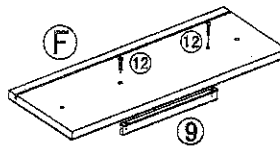
①	 M6x30X3	②	 M6x25X4	③	 M6x12X16
④	 M4x14X27	⑤	 X28	⑥	 X28
⑦	 M8X6	⑧	 Left Right X3	⑨	 X3
⑩	 X10	⑪	 X3	⑫	 M4x18X6
⑬	 M6x20X6	⑭	 4x35X12	⑮	 X1
⑯	 X1	⑰	 X2	⑱	 M4x16X4



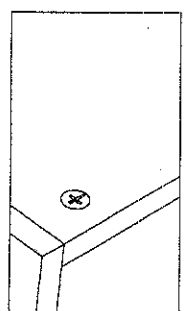
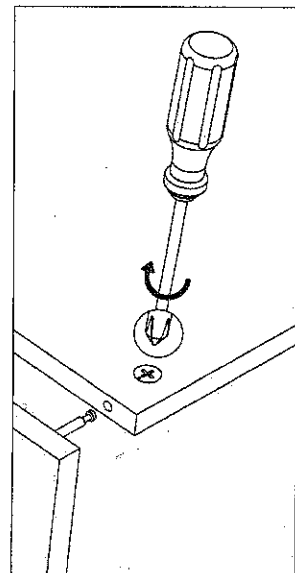
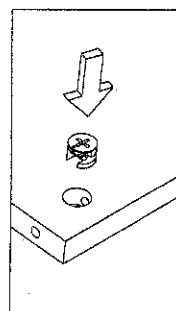
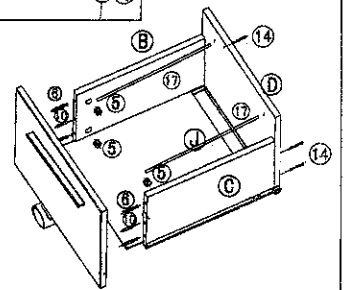
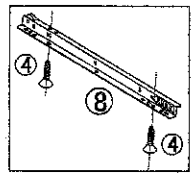
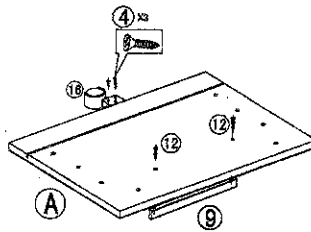
Drawer (1)



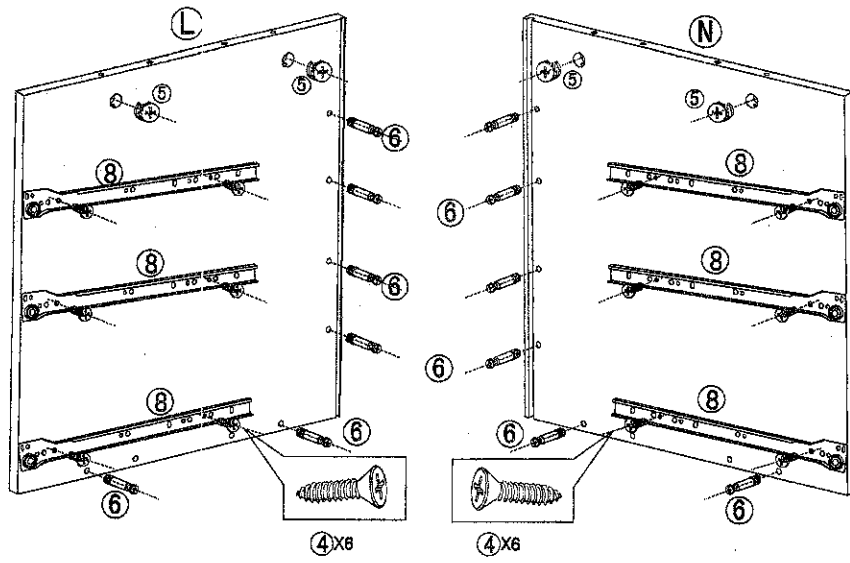
Drawer (2)



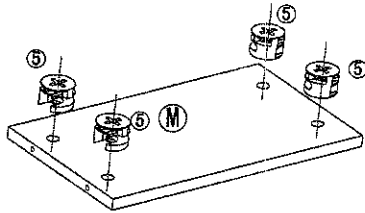
Drawer (3)



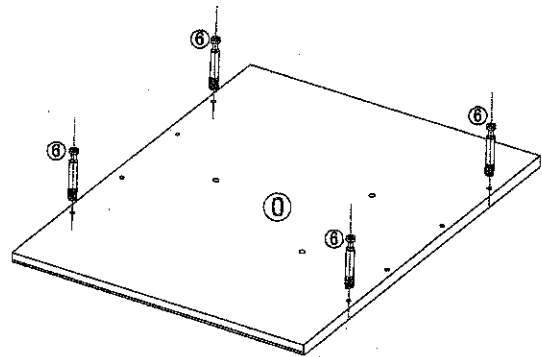
1



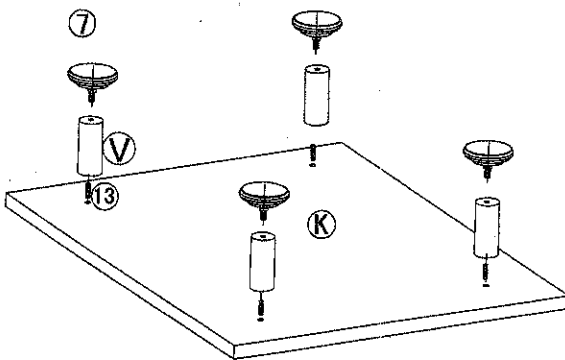
2 X2



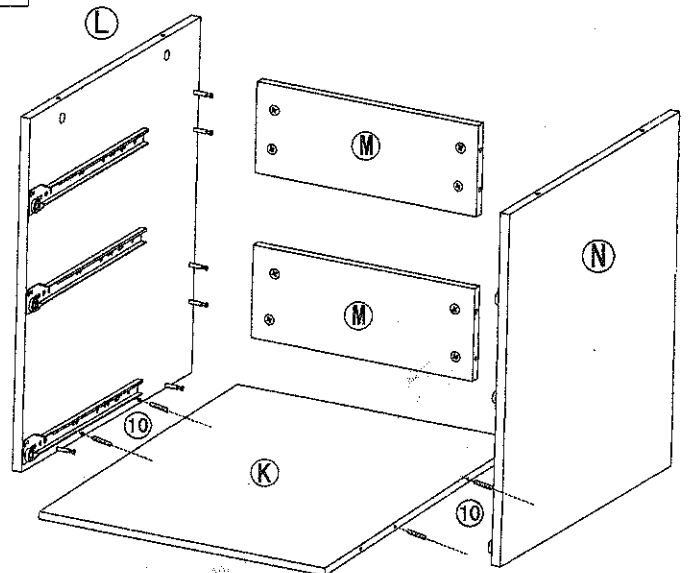
3



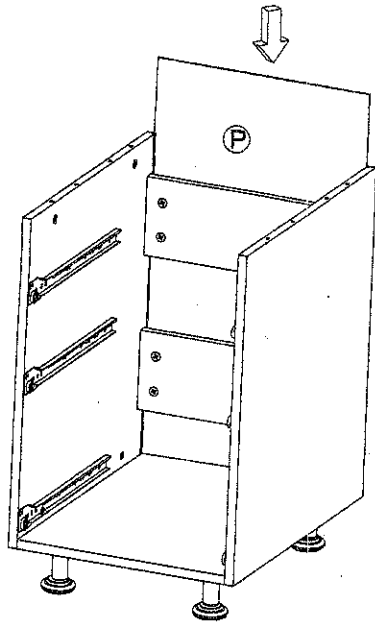
4



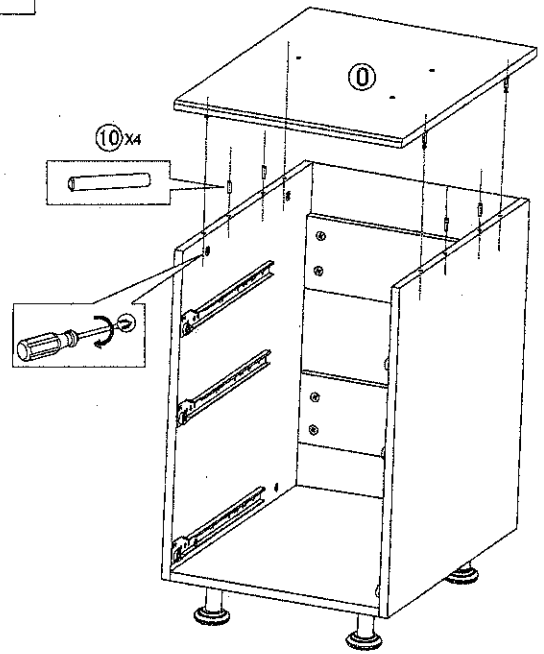
5



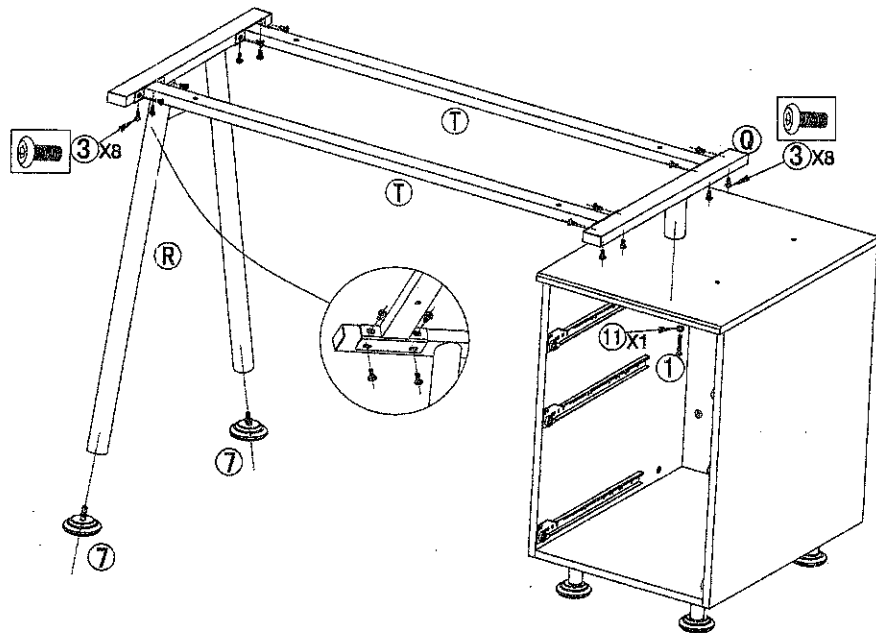
6



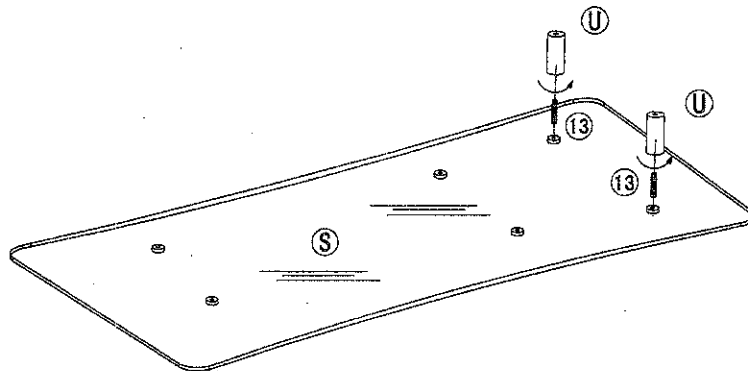
7



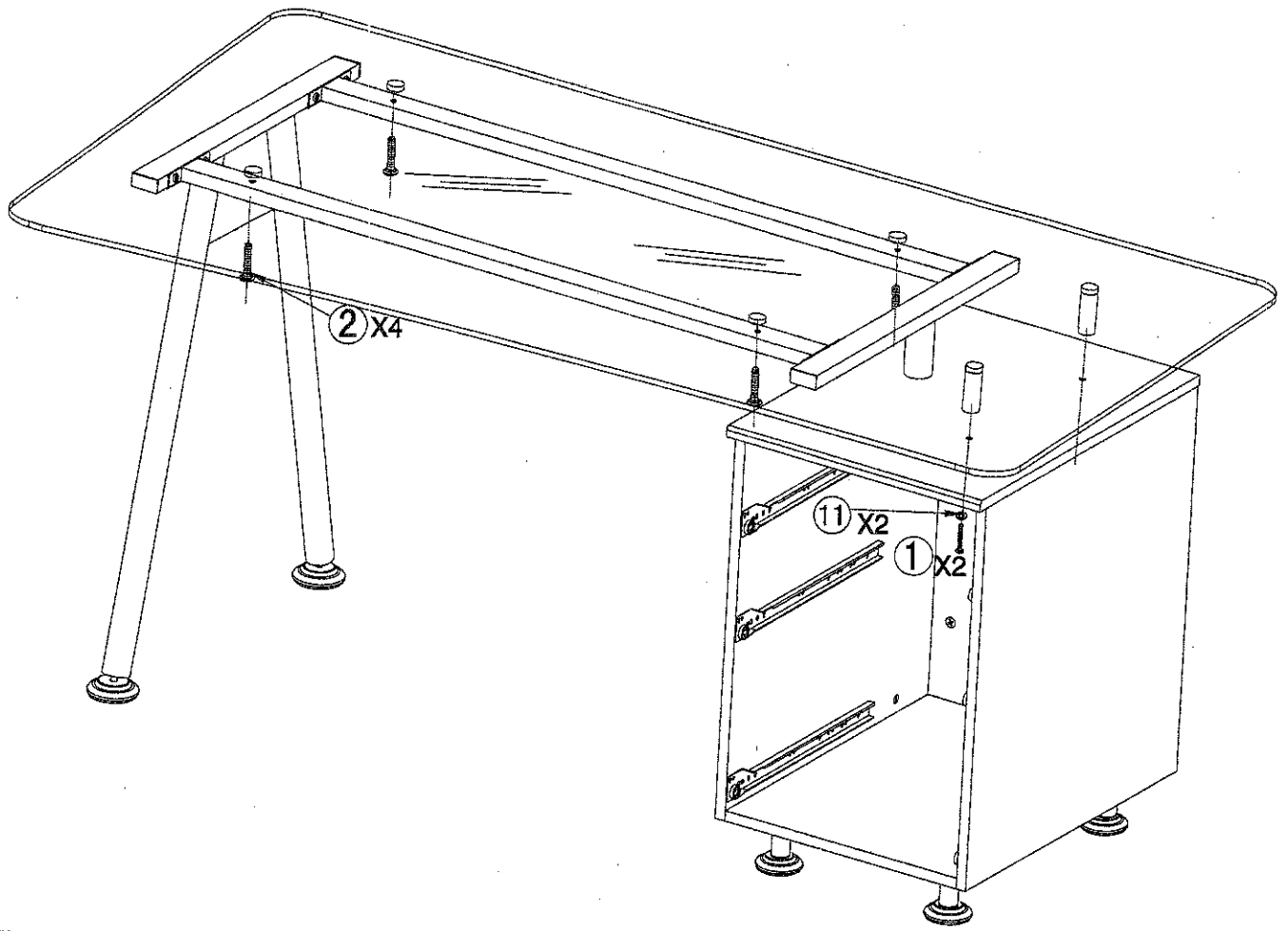
8



9



10



11

