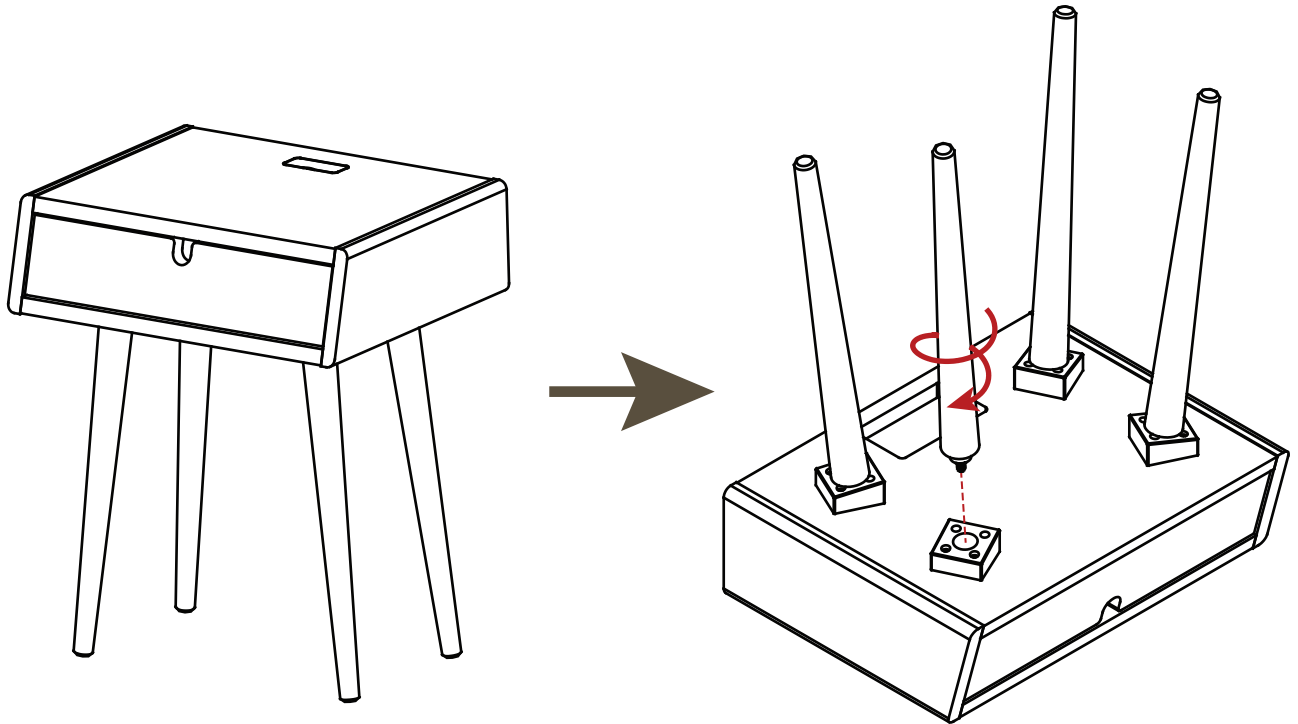
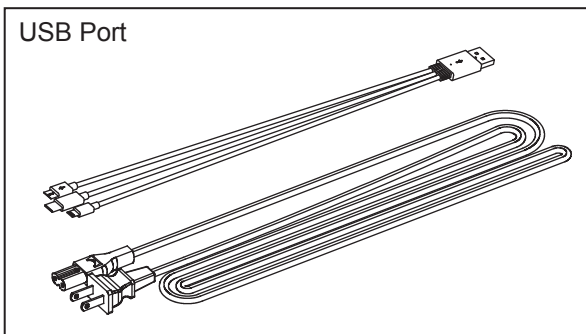


Assembly Instruction

Nightstand/End Table with USB Port

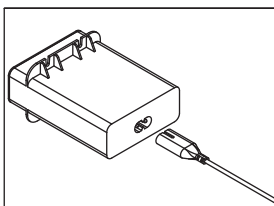


Hardware



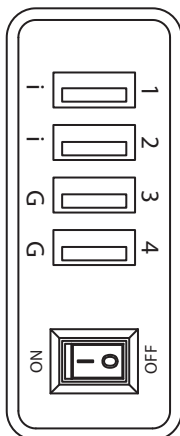
USB Adapter Specifications

Input Voltage	AC 100-240V 50/60Hz
Input Current	≤ 350mA @ 220V AC w/ full load
Output Voltage	5.0V ± 0.25V
Load Regulation	-0.5% (Max)
Output Current	3.1A Max
Output Ripple	< 400mV p-p
Efficiency	> 75% @ 220V AC
Output Plug	USB Type A x 4
Over Power	≈ 17W @ 220V AC
Short Protection	Auto Recovery



Attach supplied AC cable from underneath the table and plug into a standard wall outlet. Unit is now ready to accept the supplied 3-in-1 cable.

*After multiple devices are charged simultaneously, please disconnect them in the reverse order.



USB 1 & 2 PORTS

Fast charging ports for devices that require higher current, ideal for iPads and Android tablets, while also compatible with other mobile devices.

USB 3 & 4 PORTS

Standard USB ports, ideal for smartphones and other mobile devices.