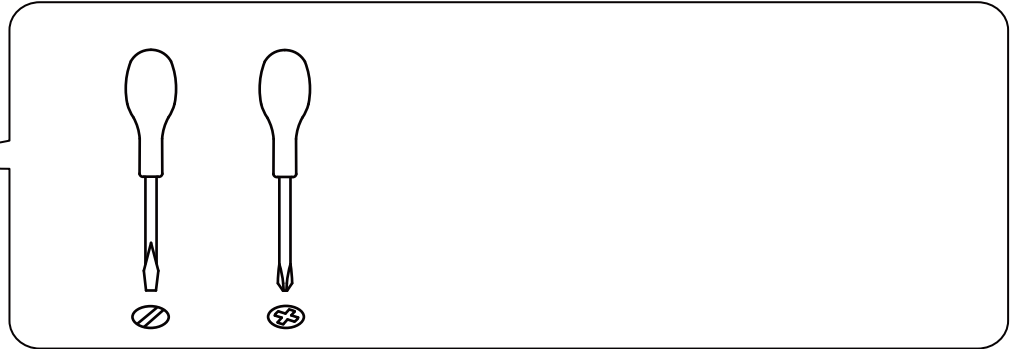
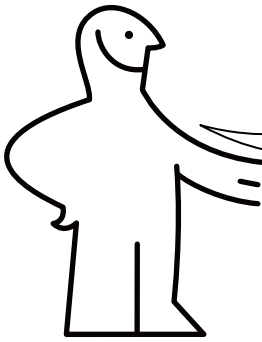


ASSEMBLY INSTRUCTIONS

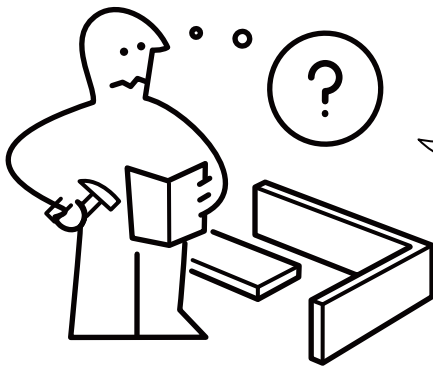
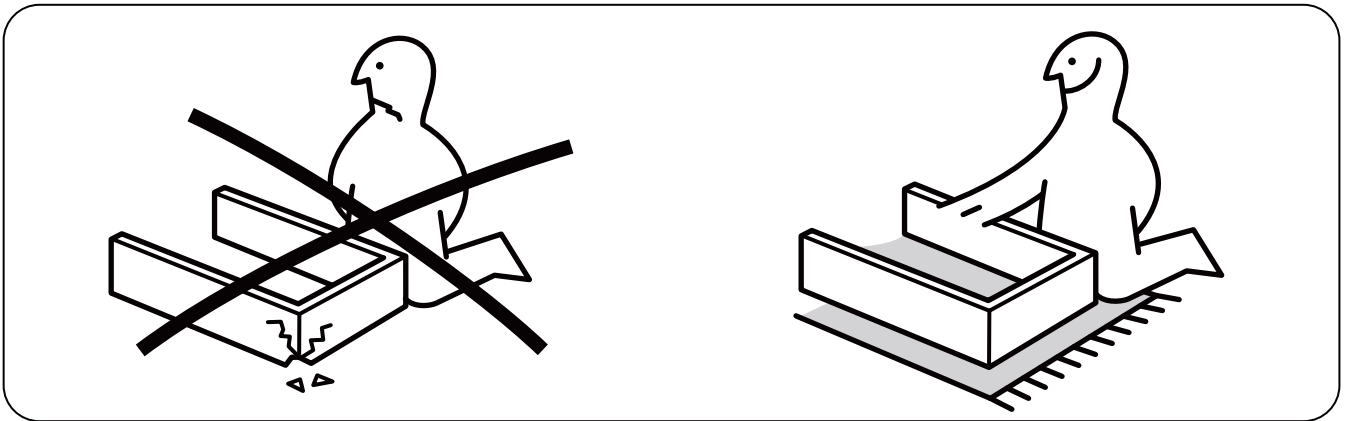
2 DRAWER CHEST



Tools Required For Assembly



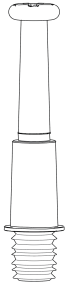
Assemble Item On a Clean Flat Surface



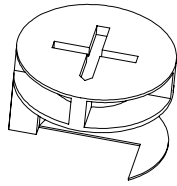
If there are any product quality problems or you encounter difficulties during installation, please contact us by email. We will do our utmost to solve the problems for you.

PARTS:

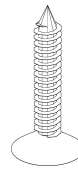
A



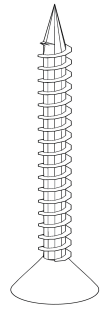
B



C



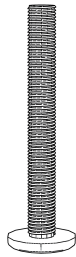
D



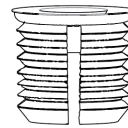
E



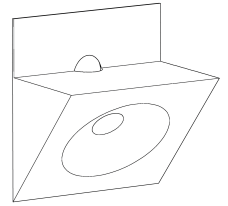
F



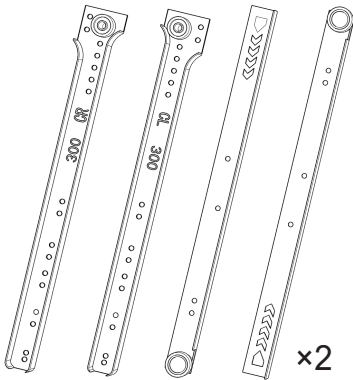
G



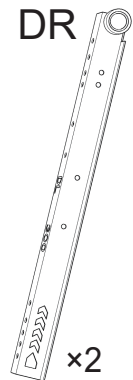
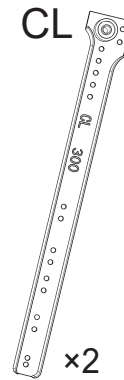
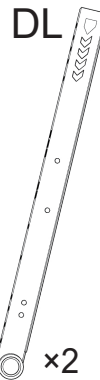
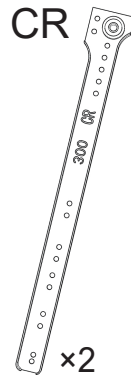
H



I



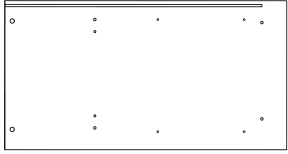
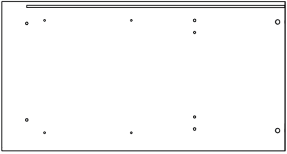
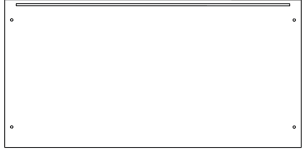

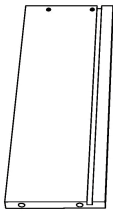
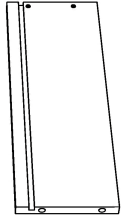


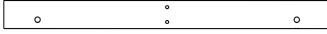
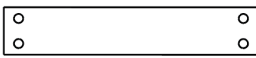

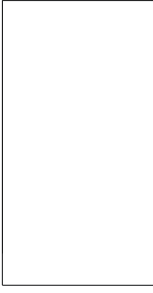

=



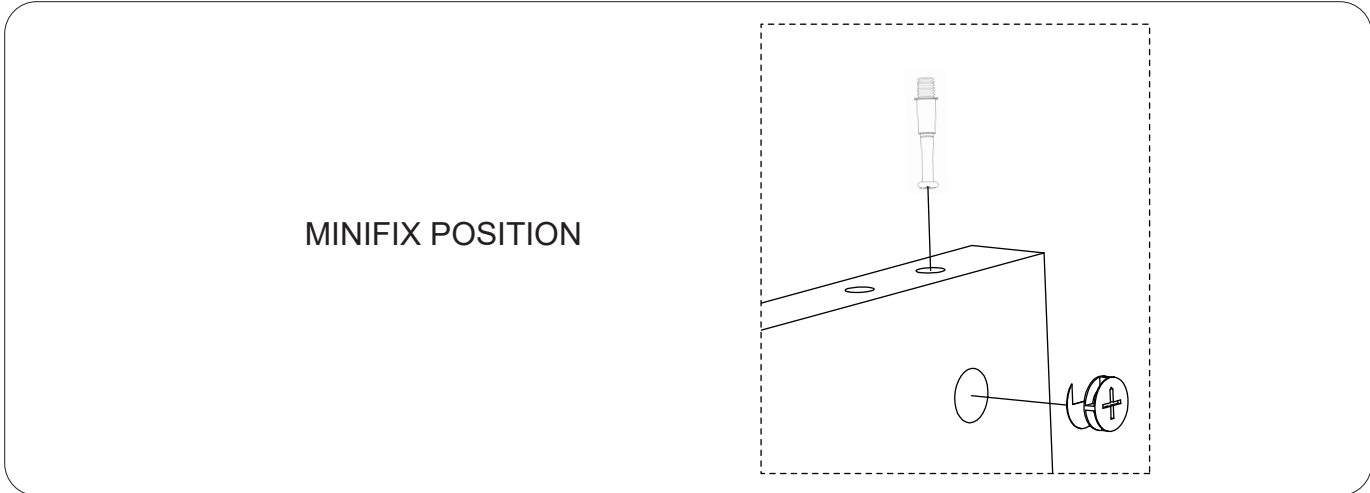
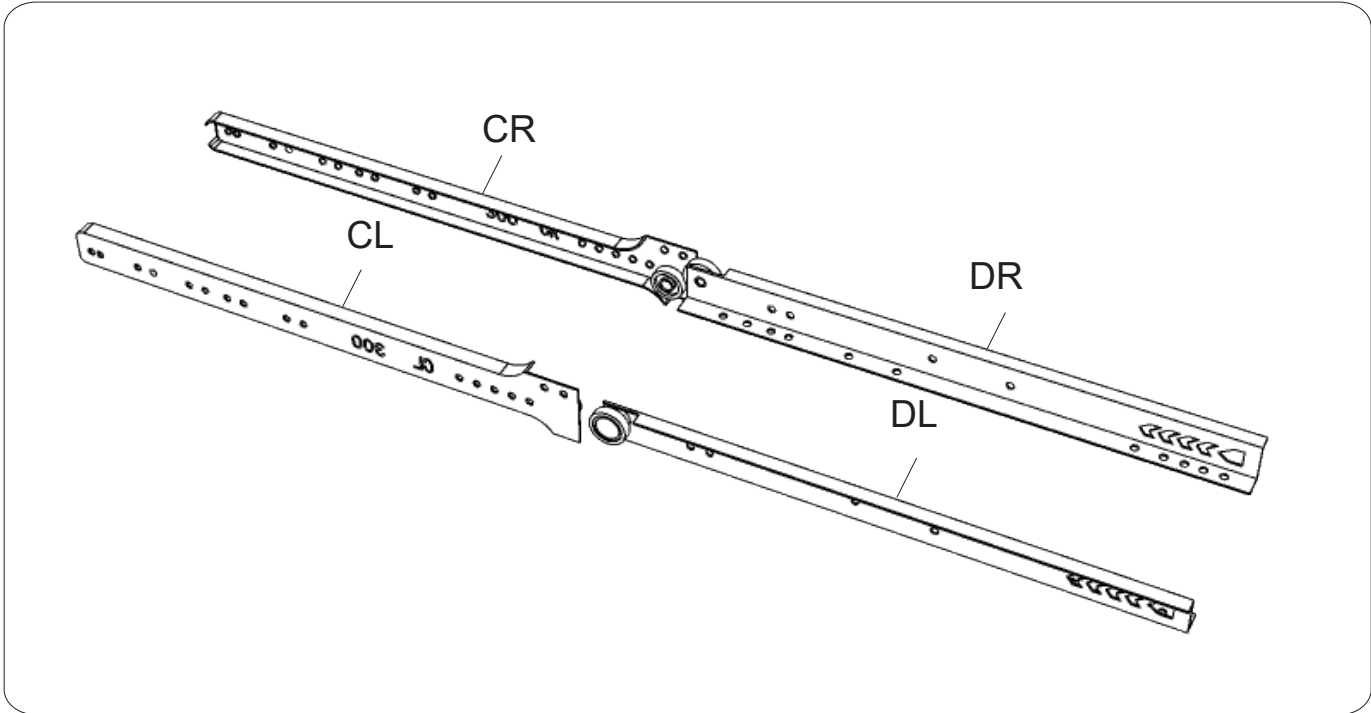
USEFUL HINTS BEFORE YOU START:

1. Read each step carefully before starting.
2. It is important that each step is performed in correct order to avoid difficulties.
3. Identify, sort and count the parts before assembly.
4. Assemble your furniture on packaging cardboard to prevent scratch or damage.
5. Clean the product with mild cleanser using soft damped cloth. Do not use harsh or abrasive cleanser.
6. Using incompatible hardware might cause damage to product.
7. If there are any missing parts, please send us an email and we will send them to you.

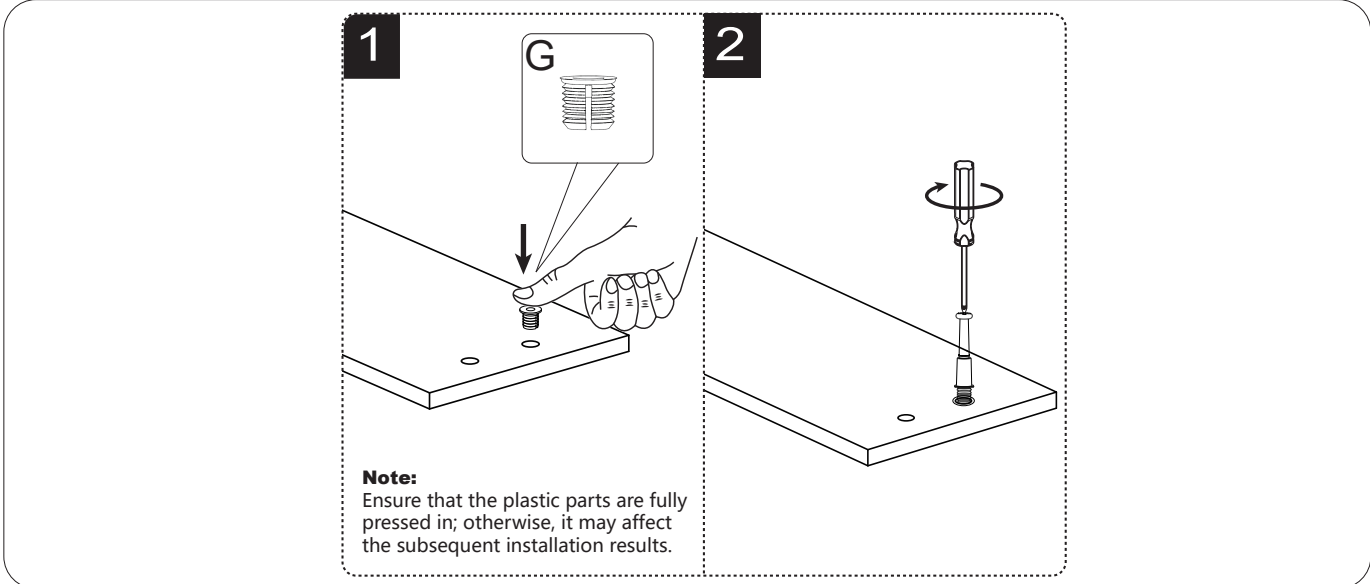
PARTS LIST:

		
<p>Left Side Panel 1Pcs</p>	<p>Right Side Panel 1Pcs</p>	<p>Top Panel 1Pcs</p>
		
<p>Bottom Panel 1Pcs</p>	<p>Drawer Left Side Panel 2Pcs</p>	<p>Drawer Right Side Panel 2Pcs</p>
		
<p>Drawer End Panel 2Pcs</p>	<p>Drawer Front Panel 2Pcs</p>	<p>Kick Panel 2Pcs</p>
		
<p>Strengthening Panel 1Pcs</p>	<p>Shelf Panel 1Pcs</p>	<p>Back Panel 2Pcs</p>
		
<p>Drawer Bottom Panel 2Pcs</p>		

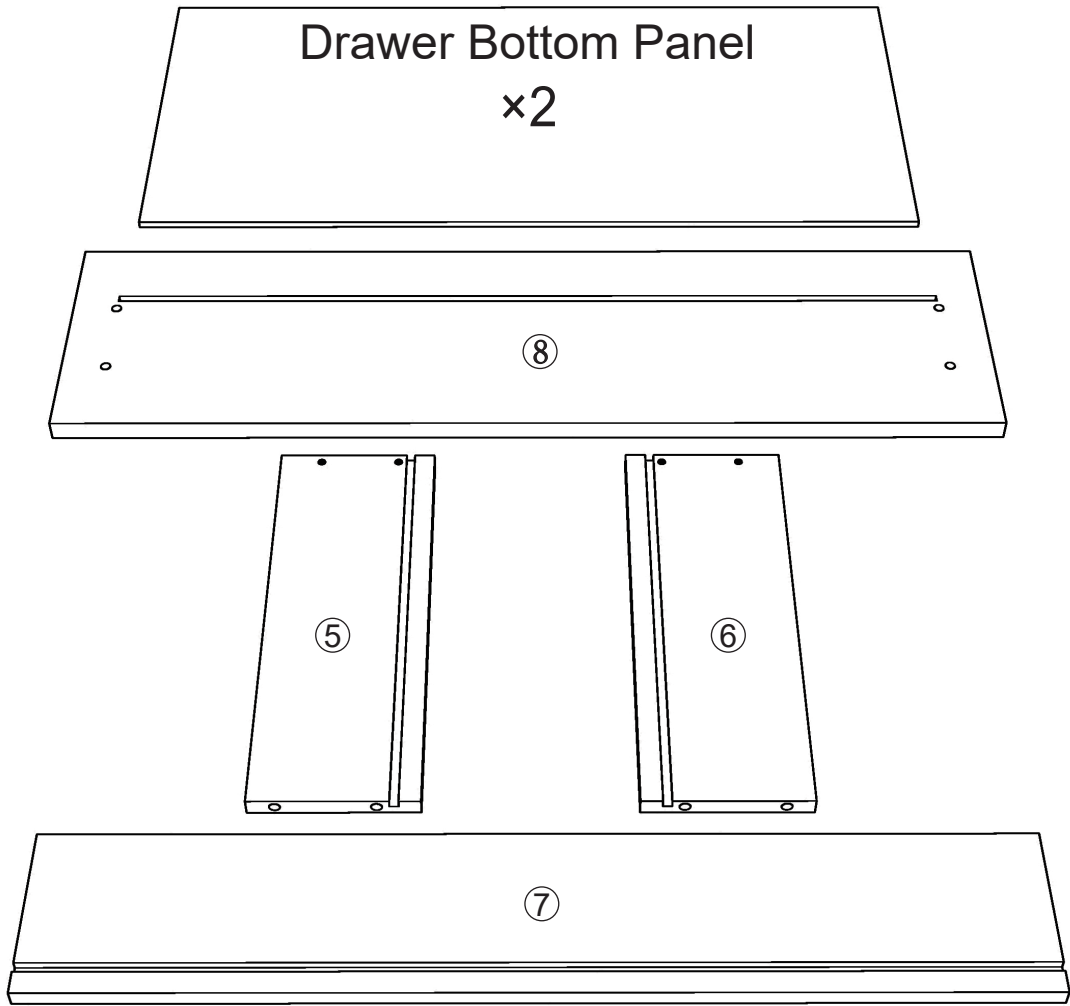
REMARK:



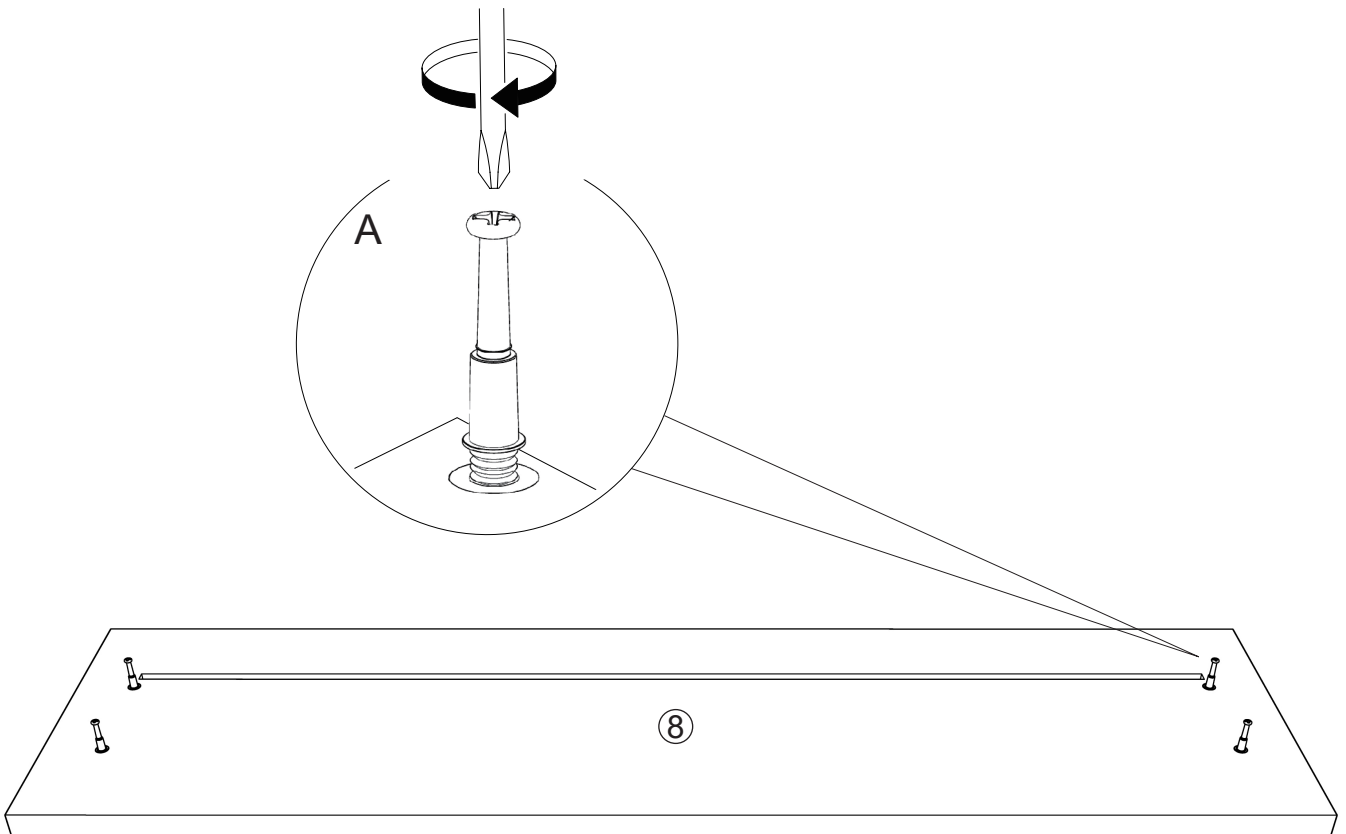
How to install camlock bolt:



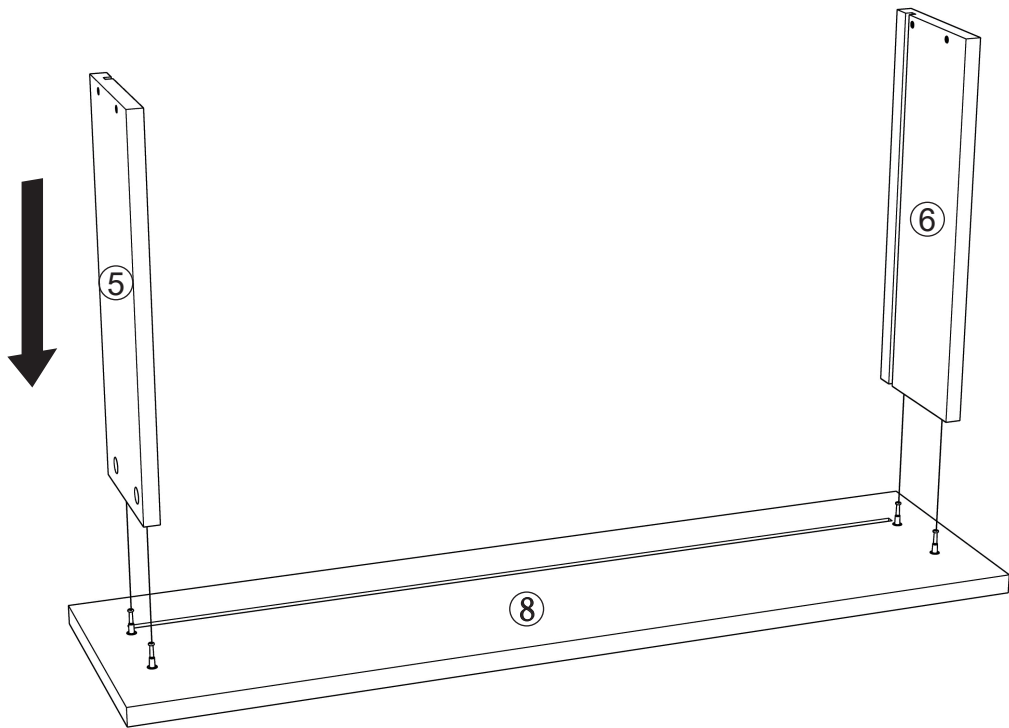
1.



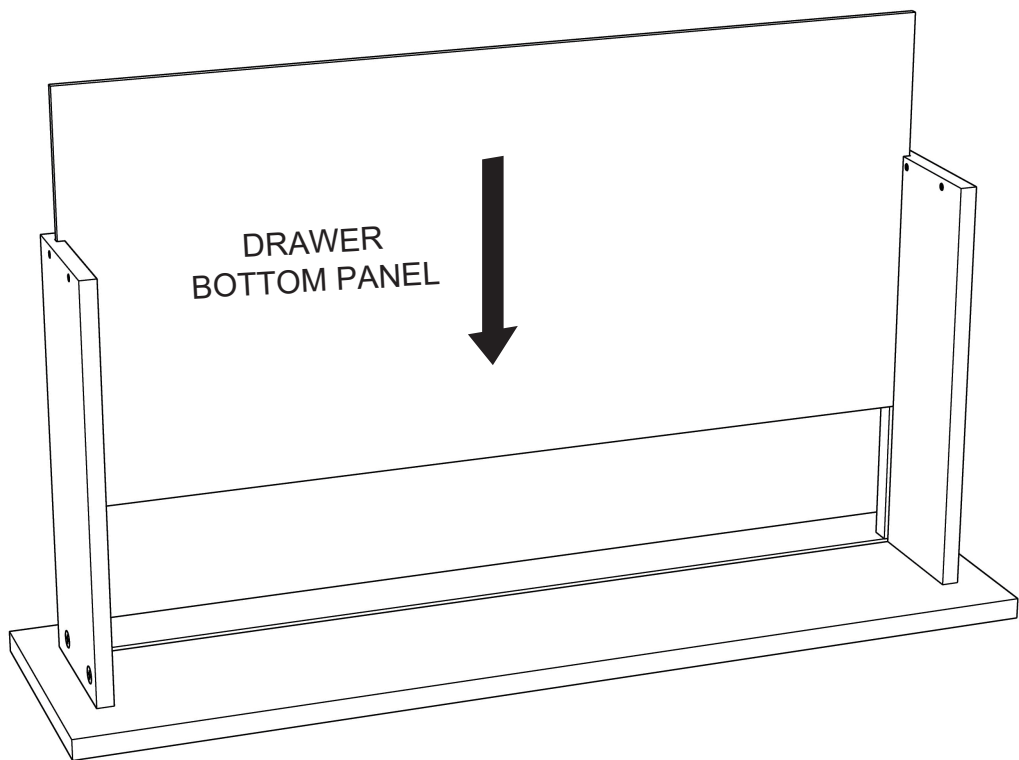
2.



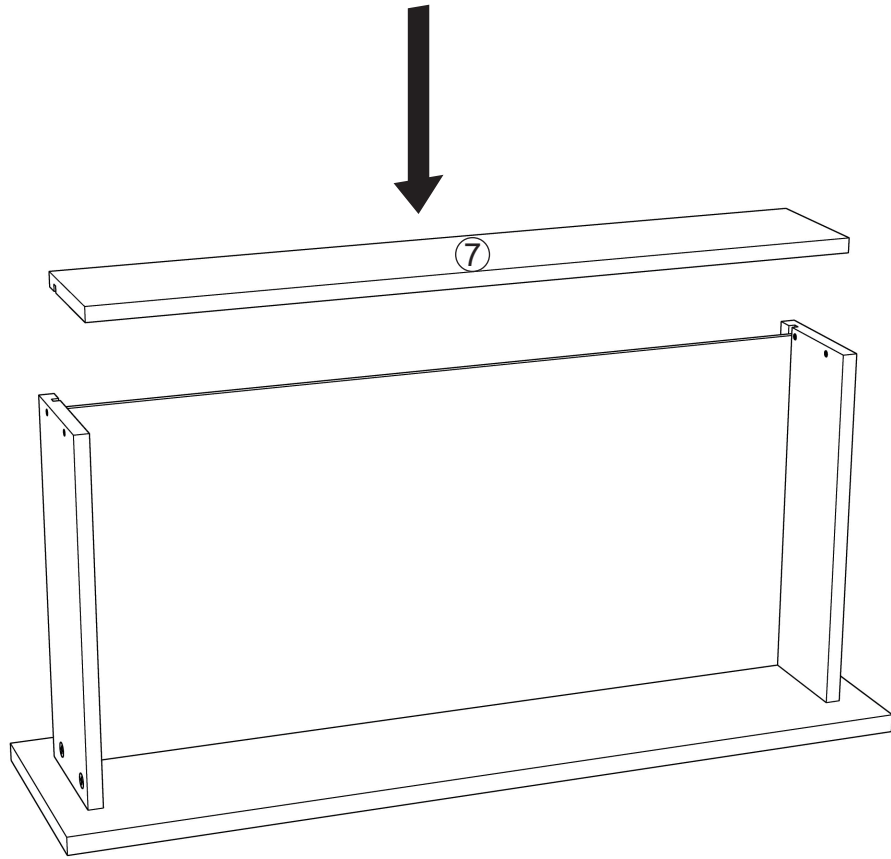
3.



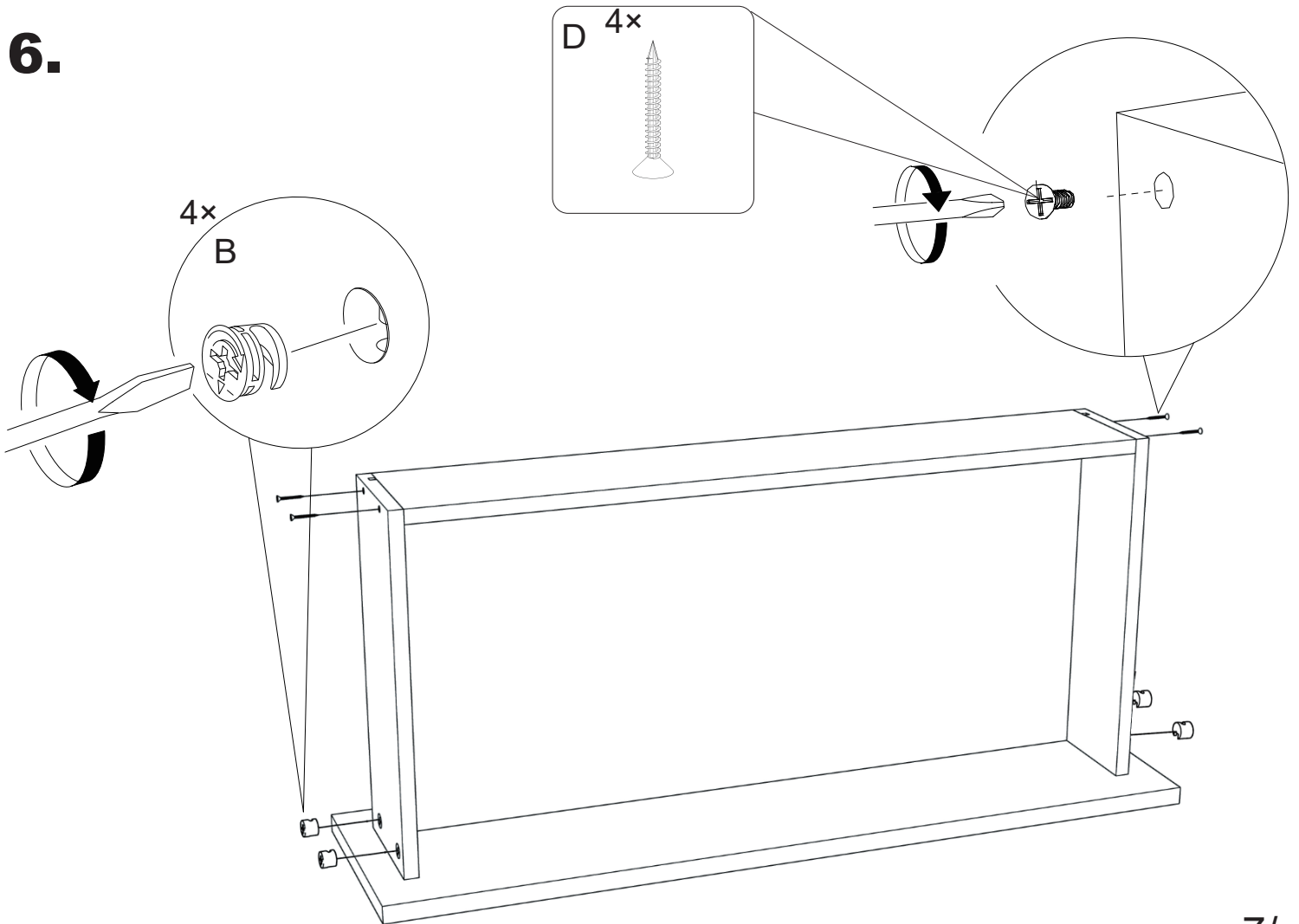
4.



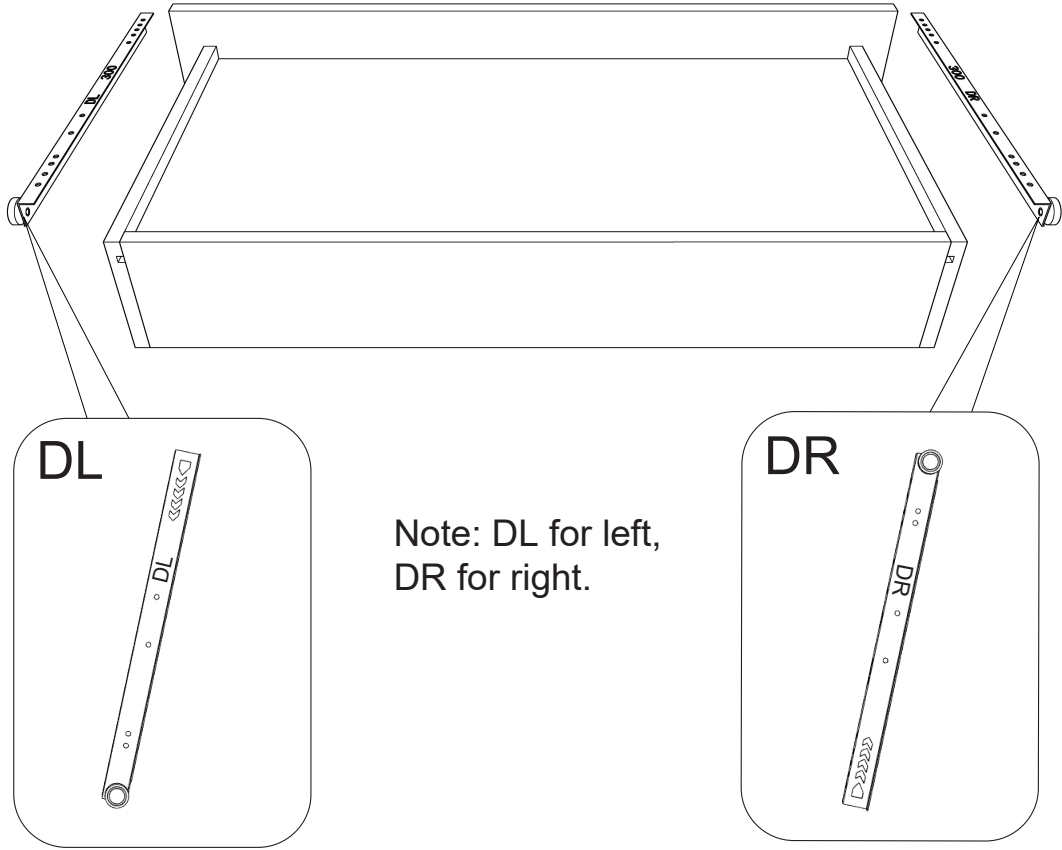
5.



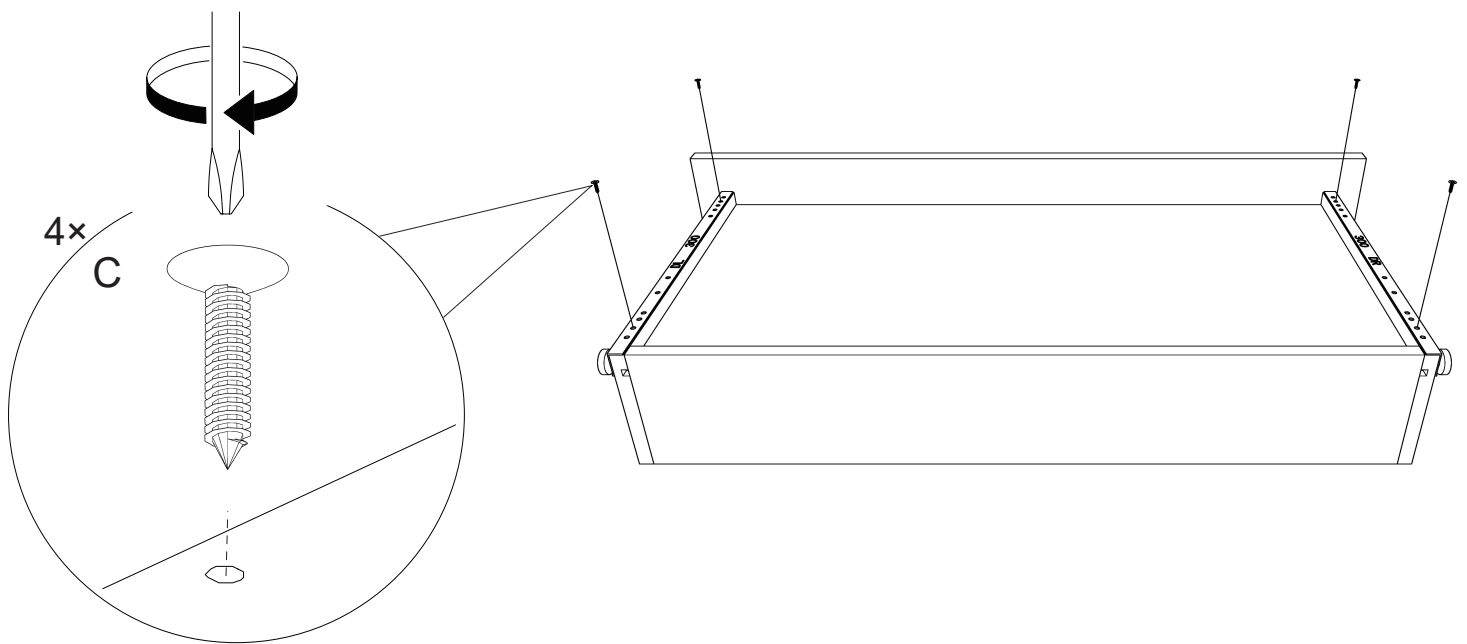
6.



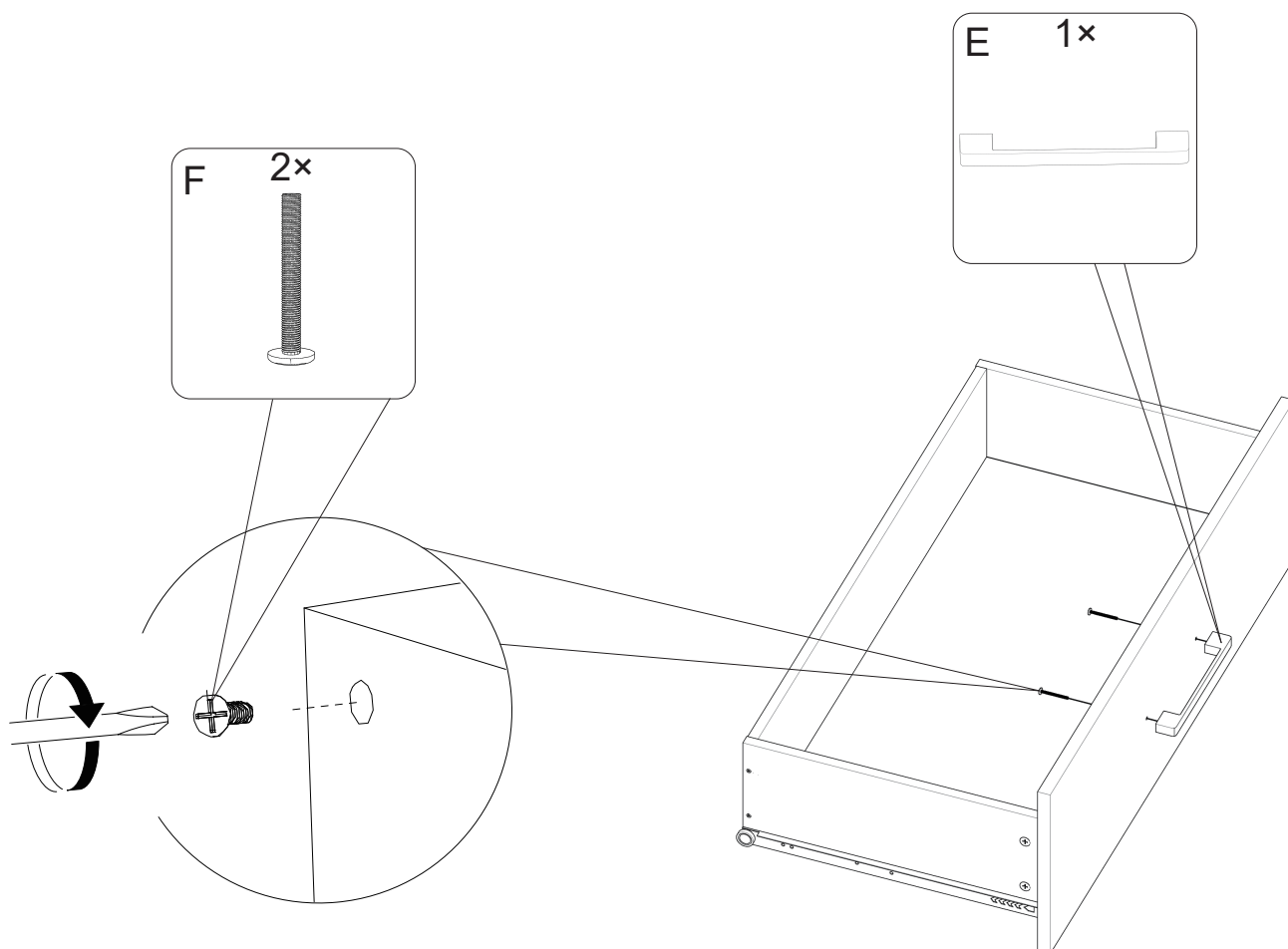
7.



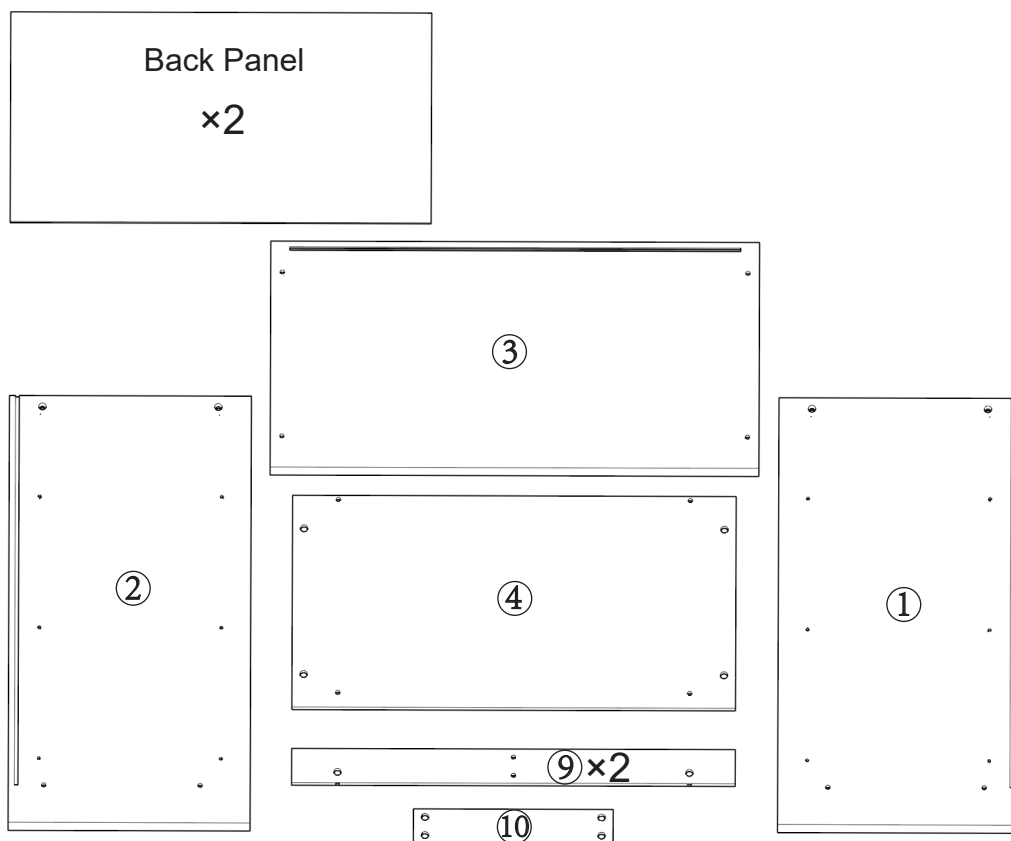
8.



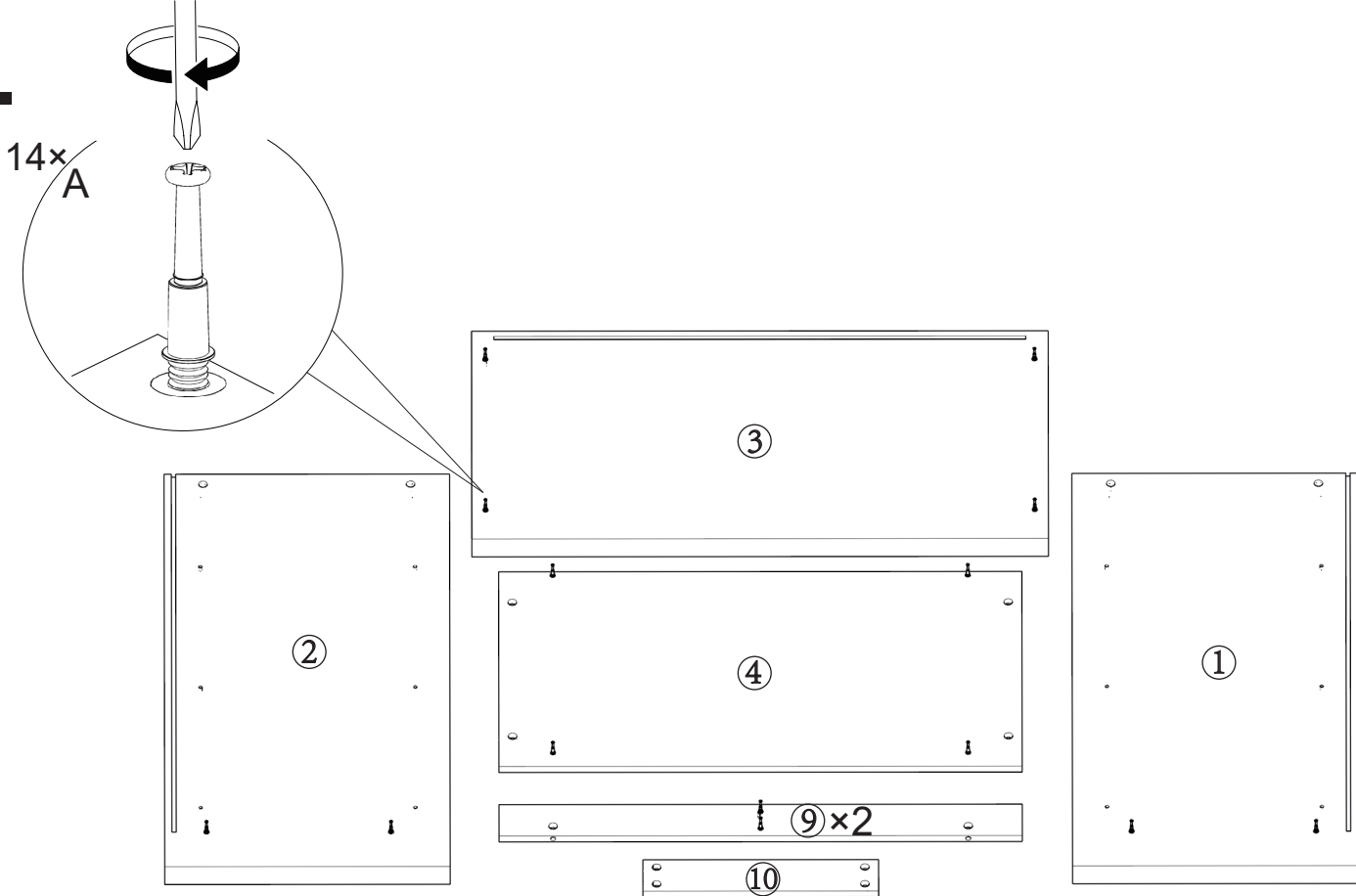
9.



10.

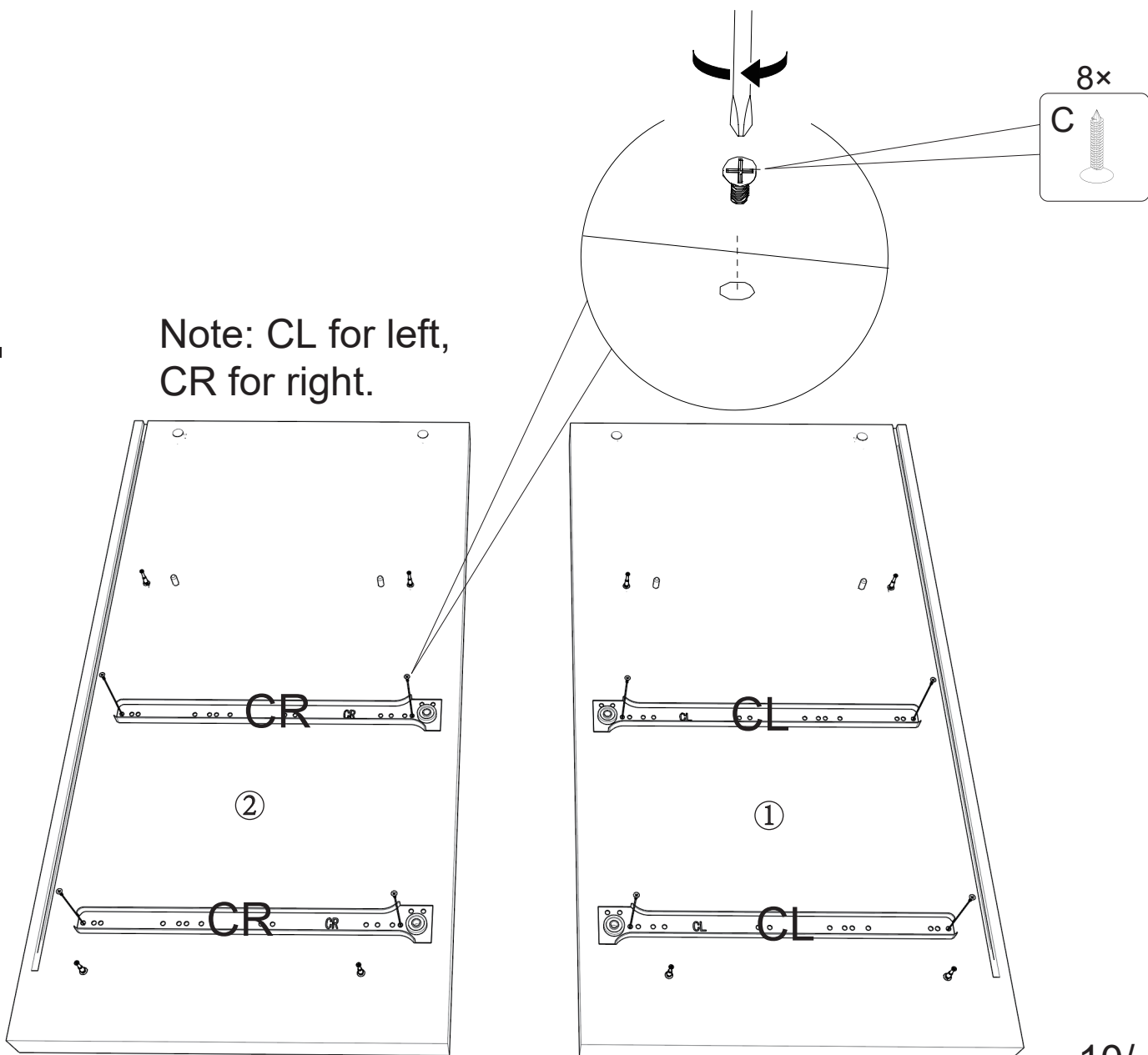


11.

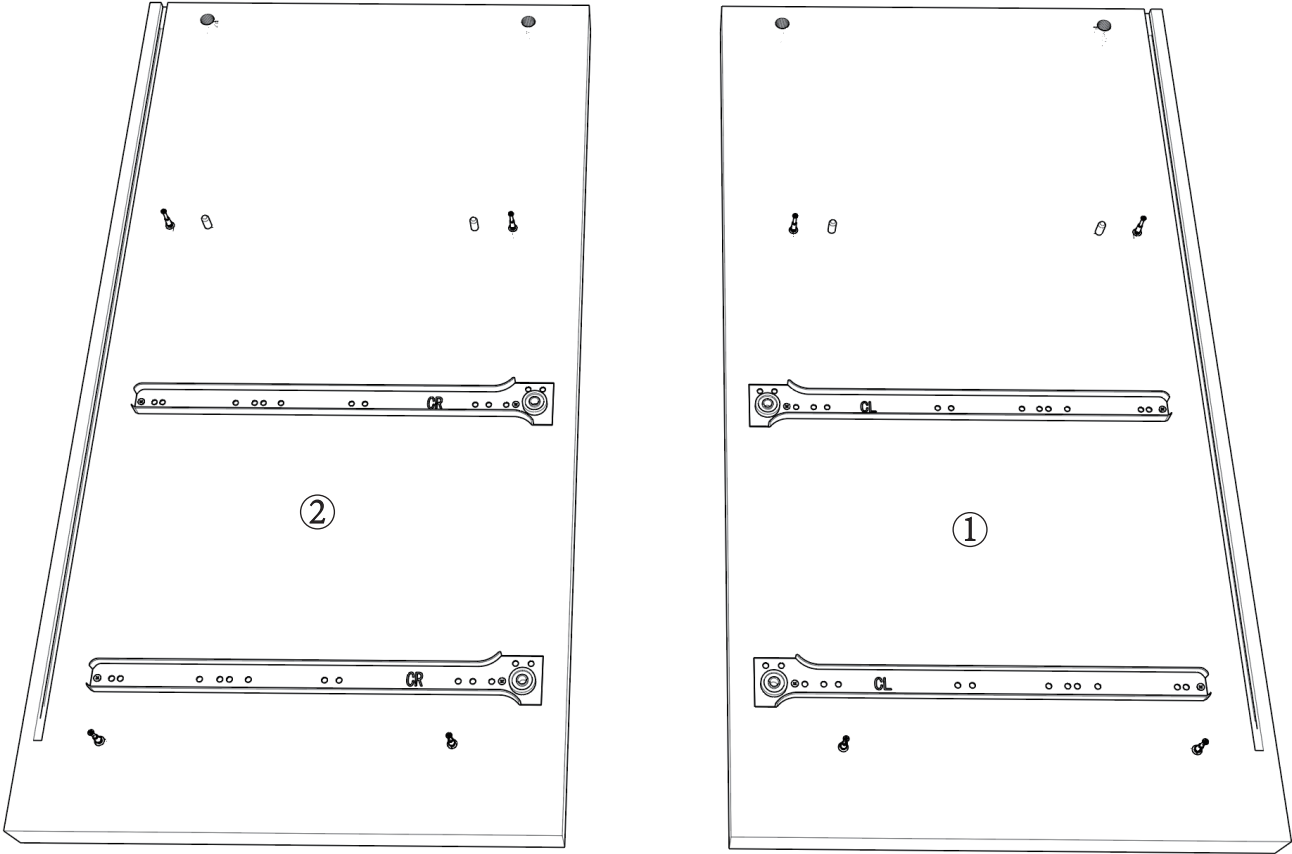


12.

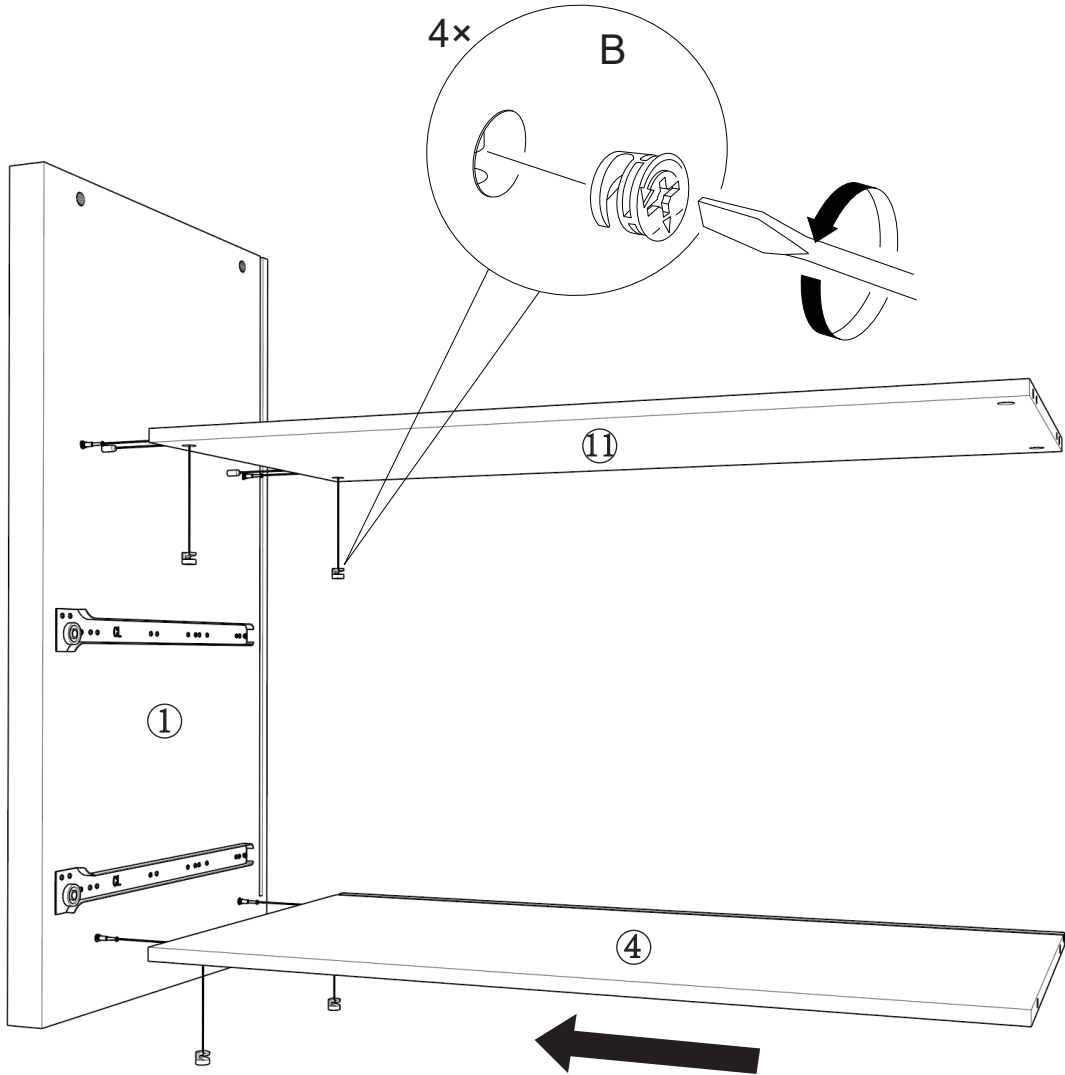
Note: CL for left,
CR for right.



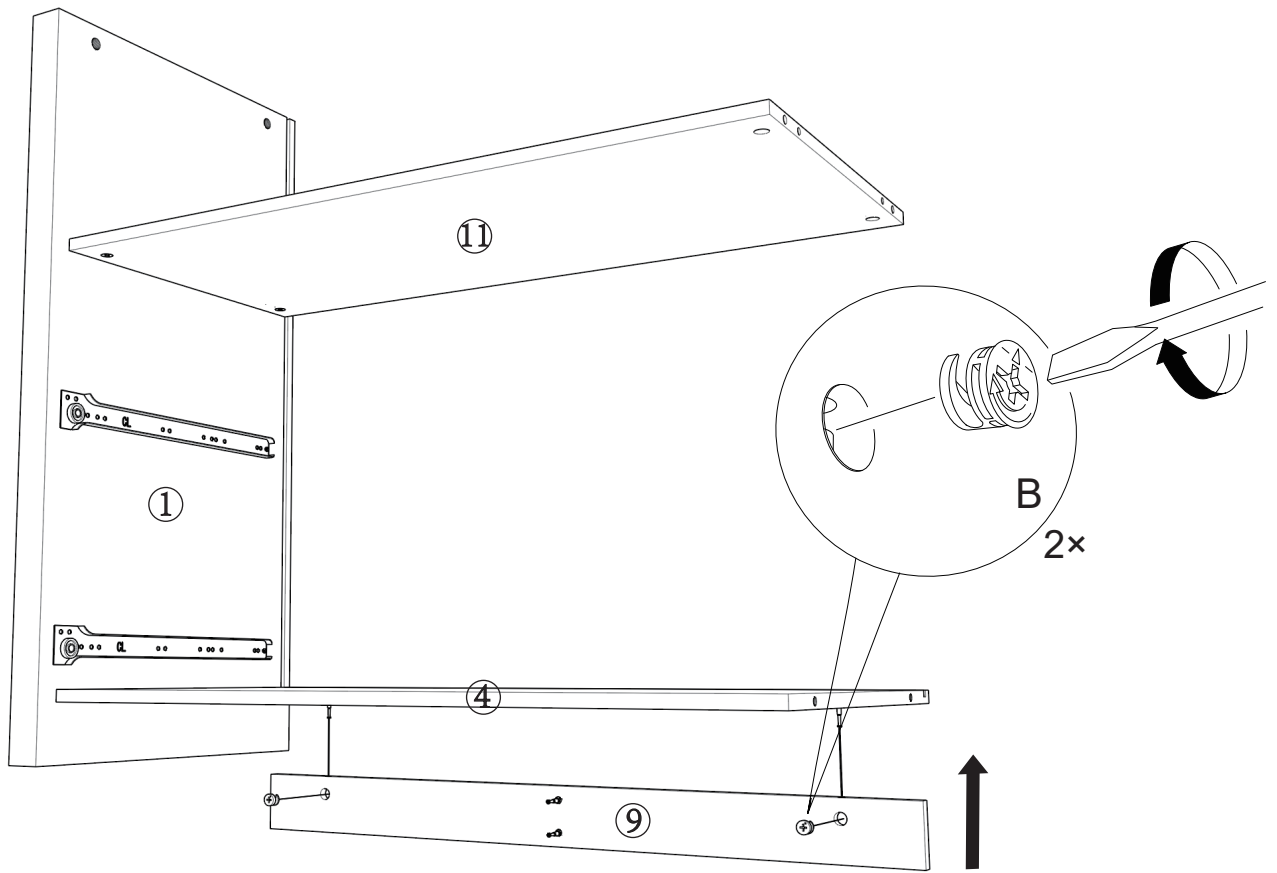
13.



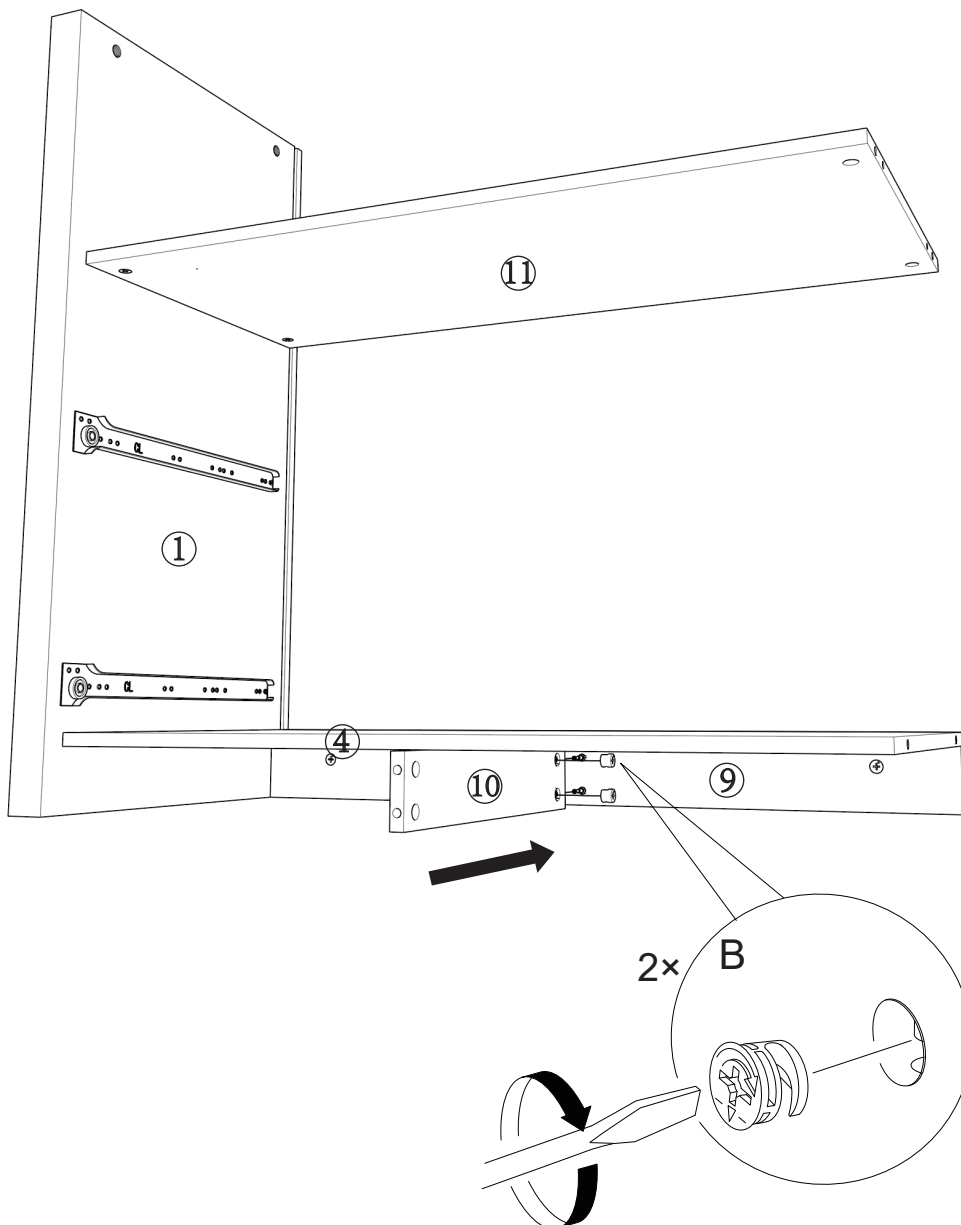
14.



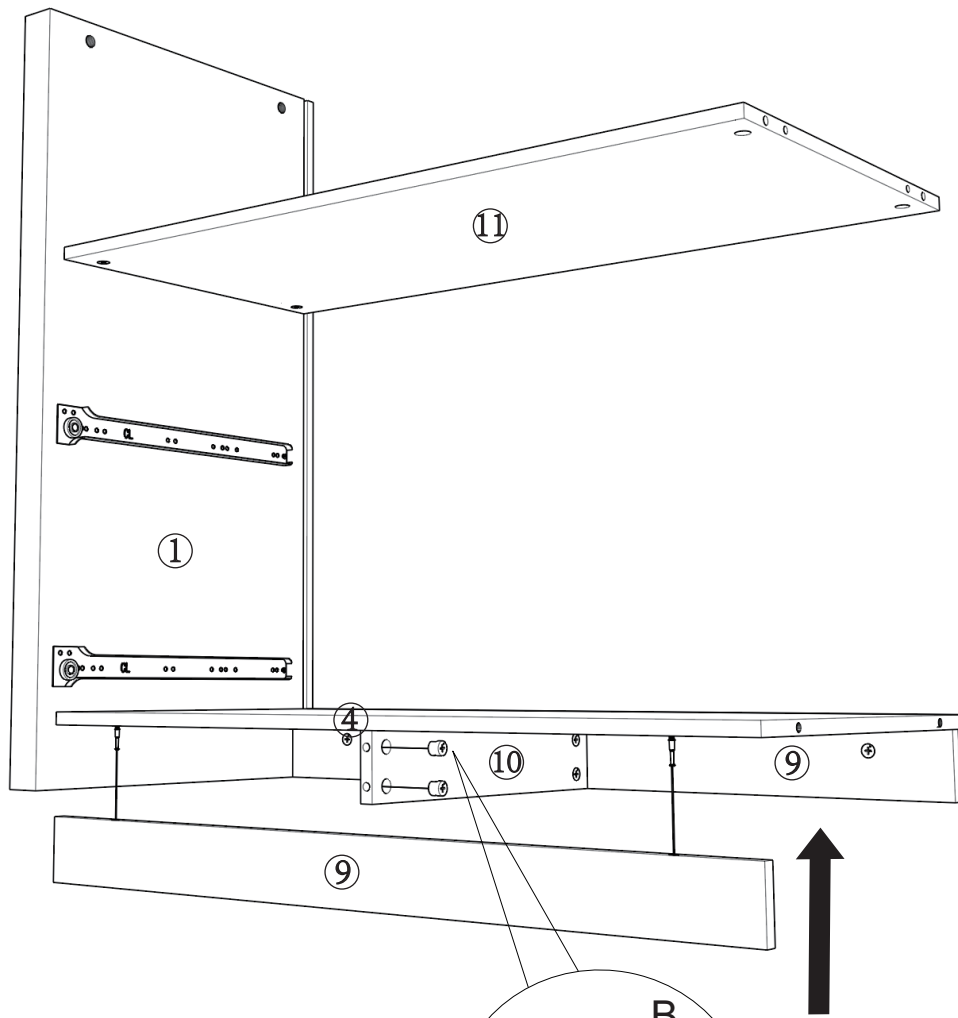
15.



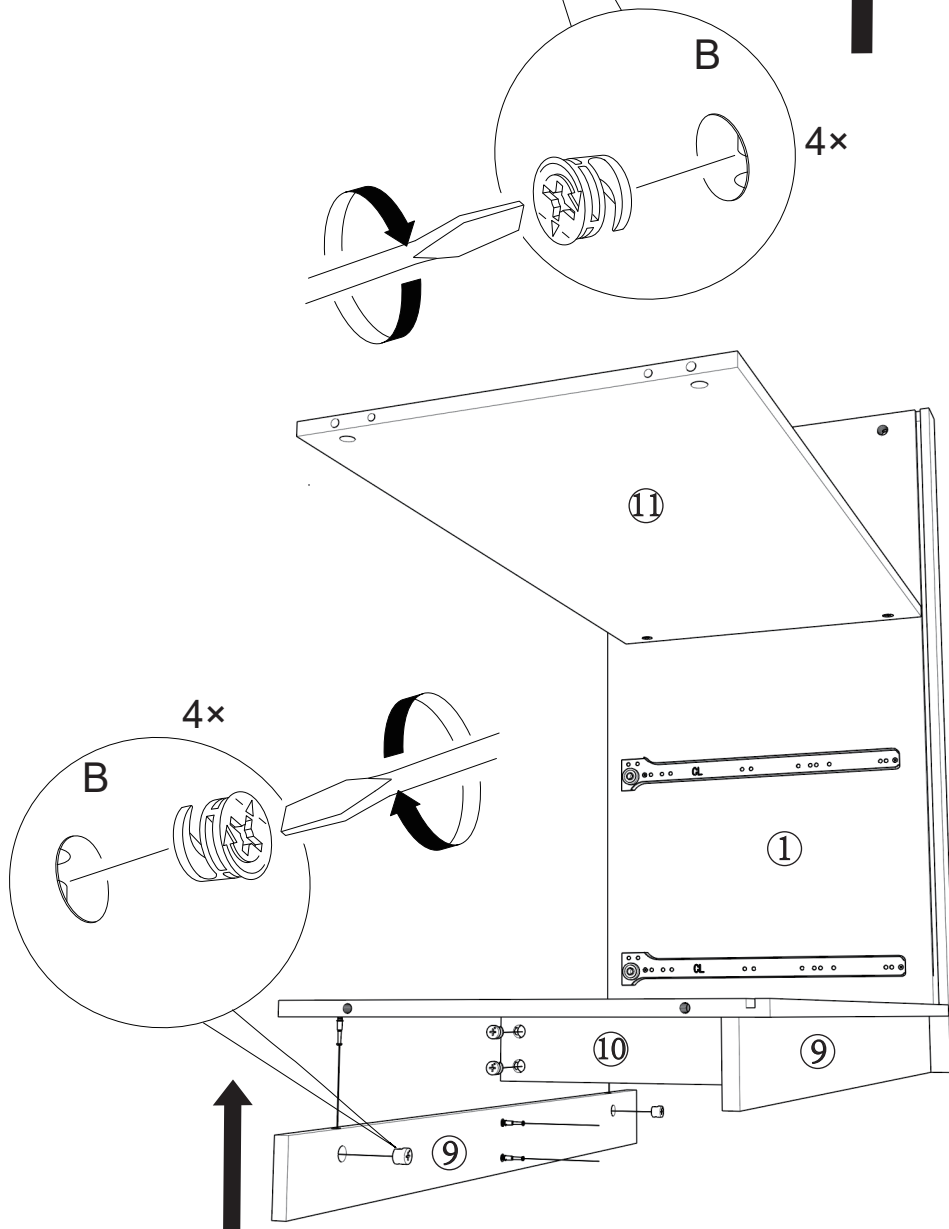
16.



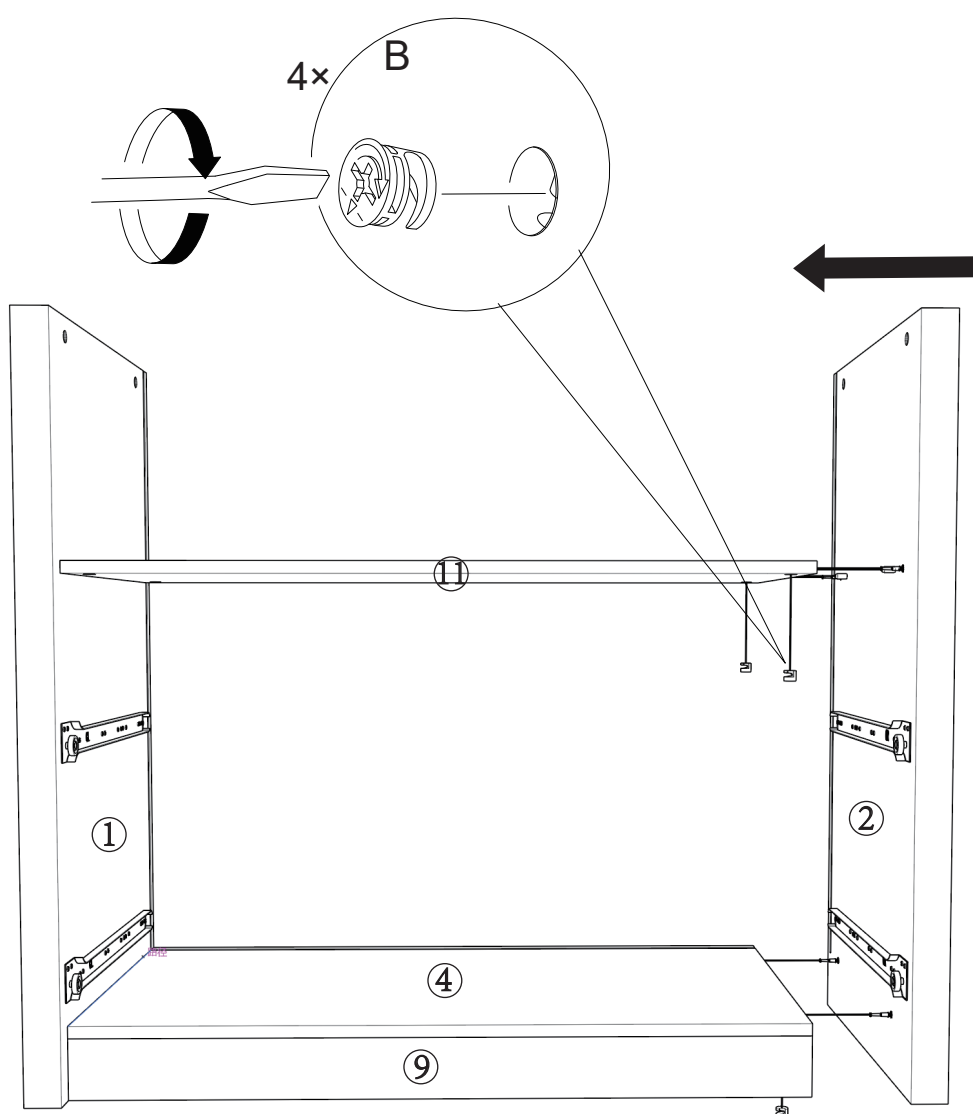
17.



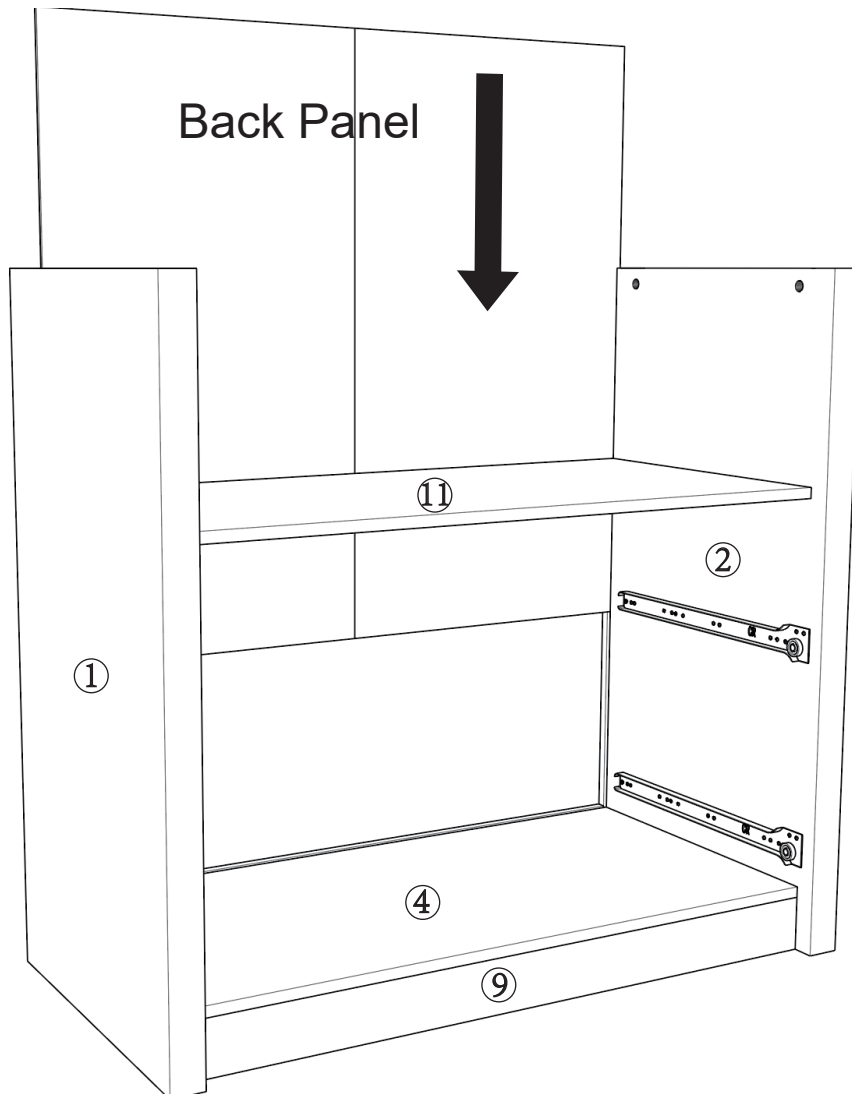
18.



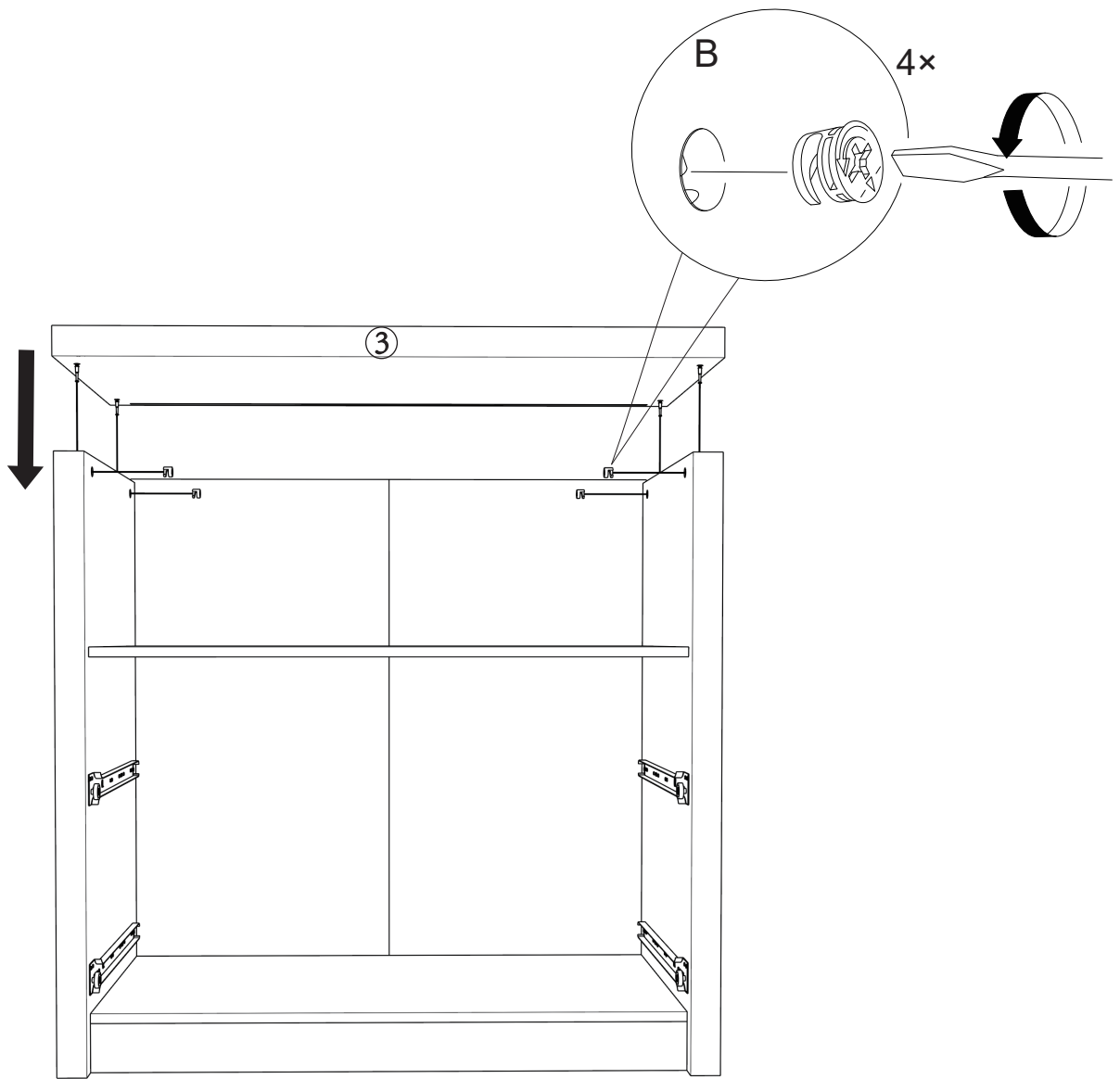
19.



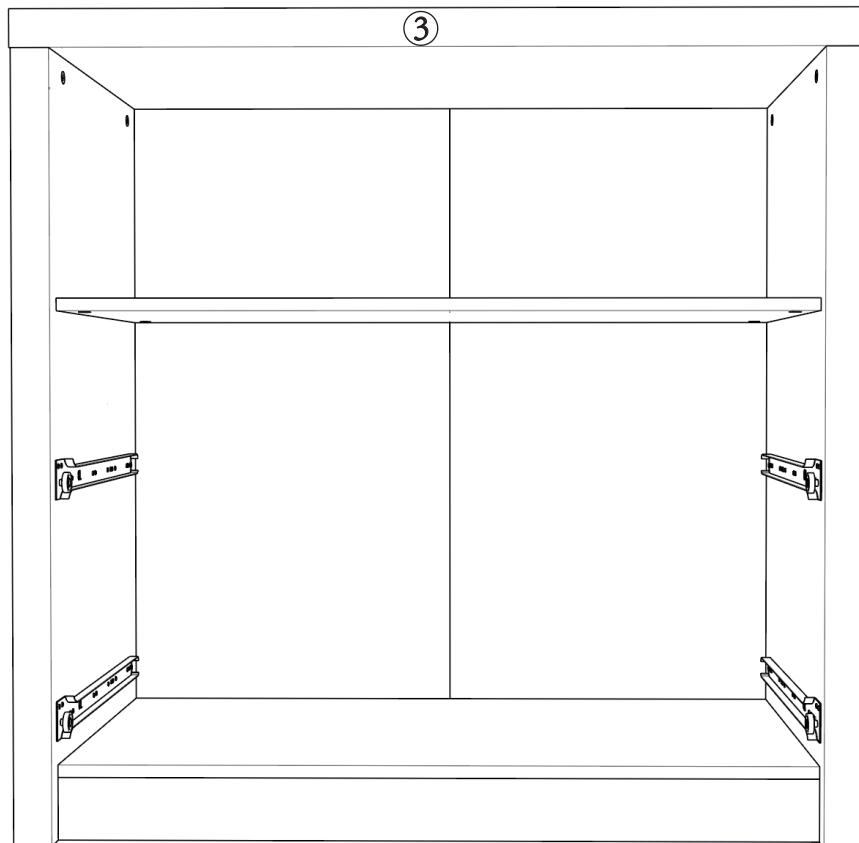
20.



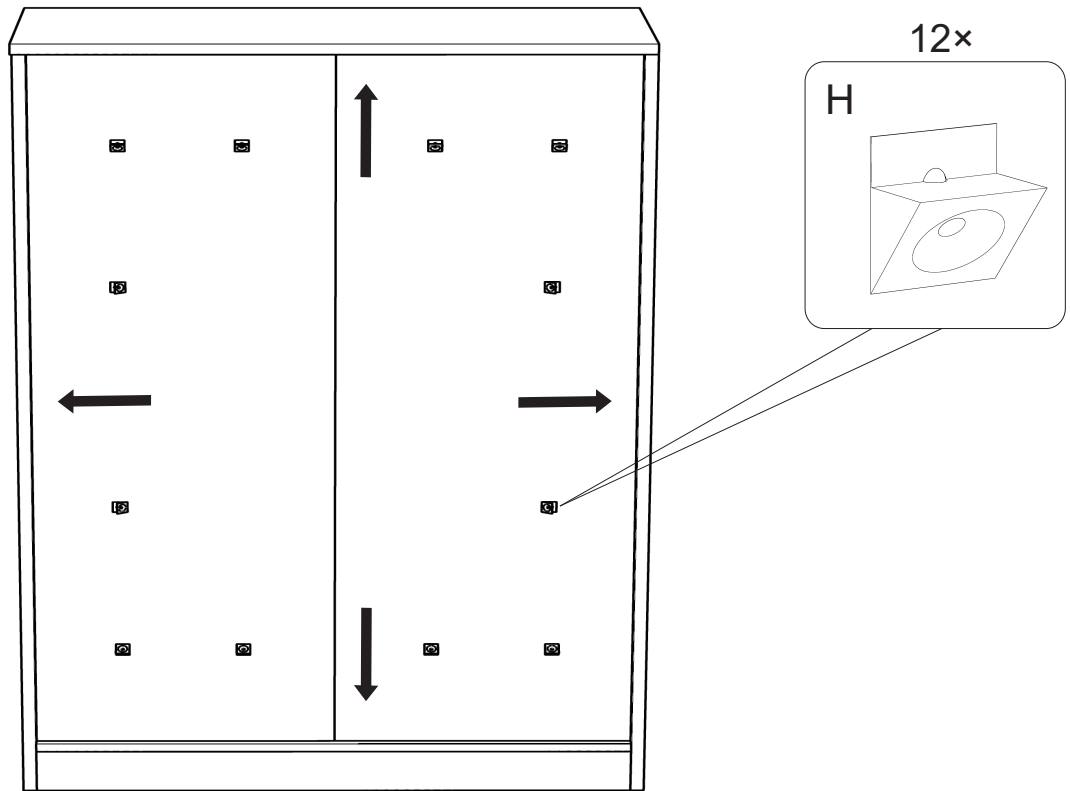
21.



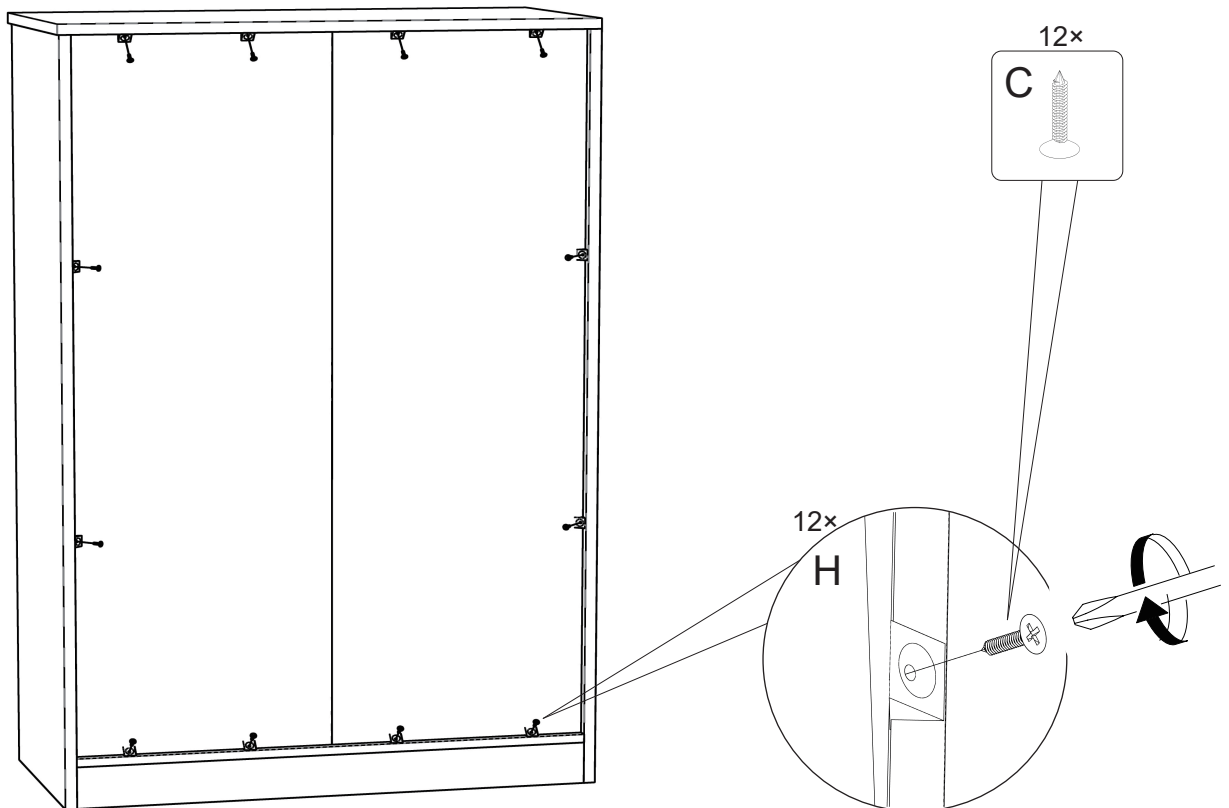
22.



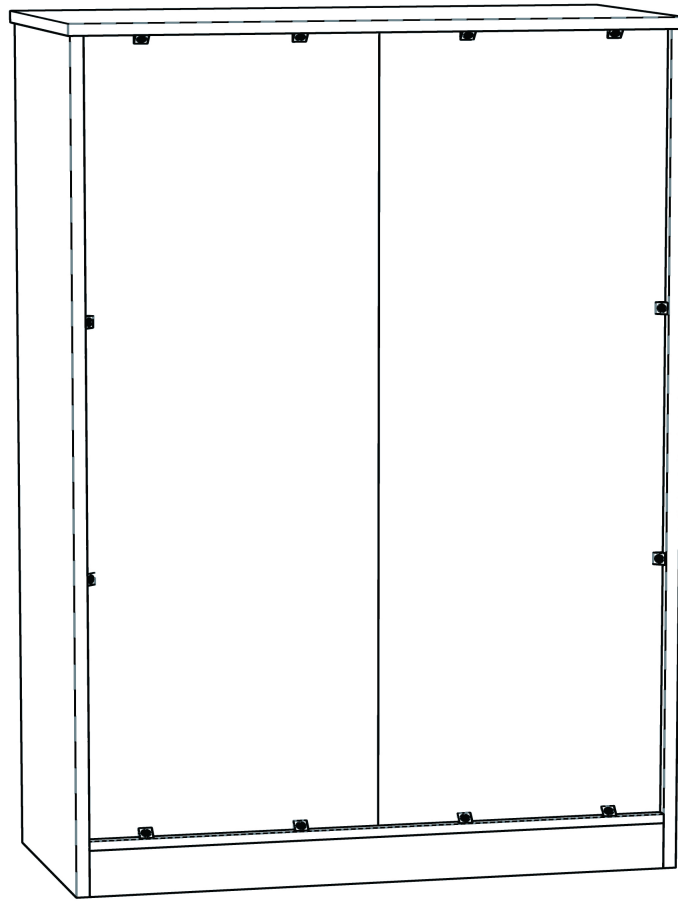
23.



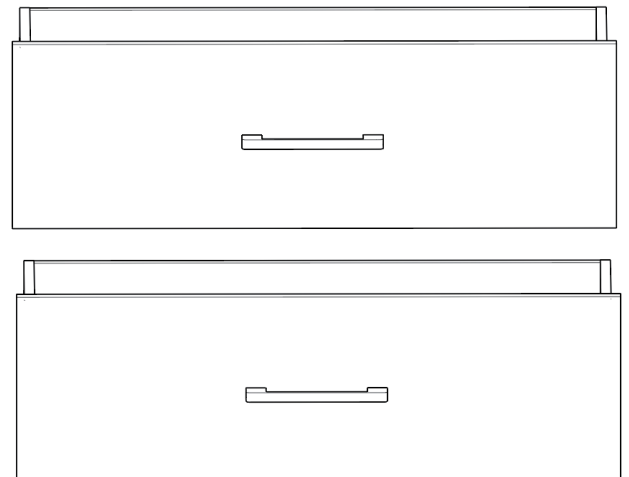
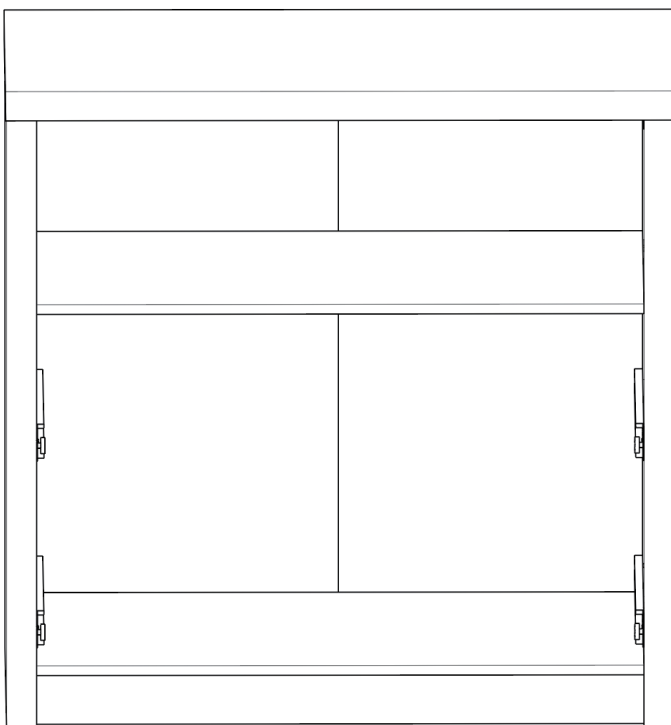
24.



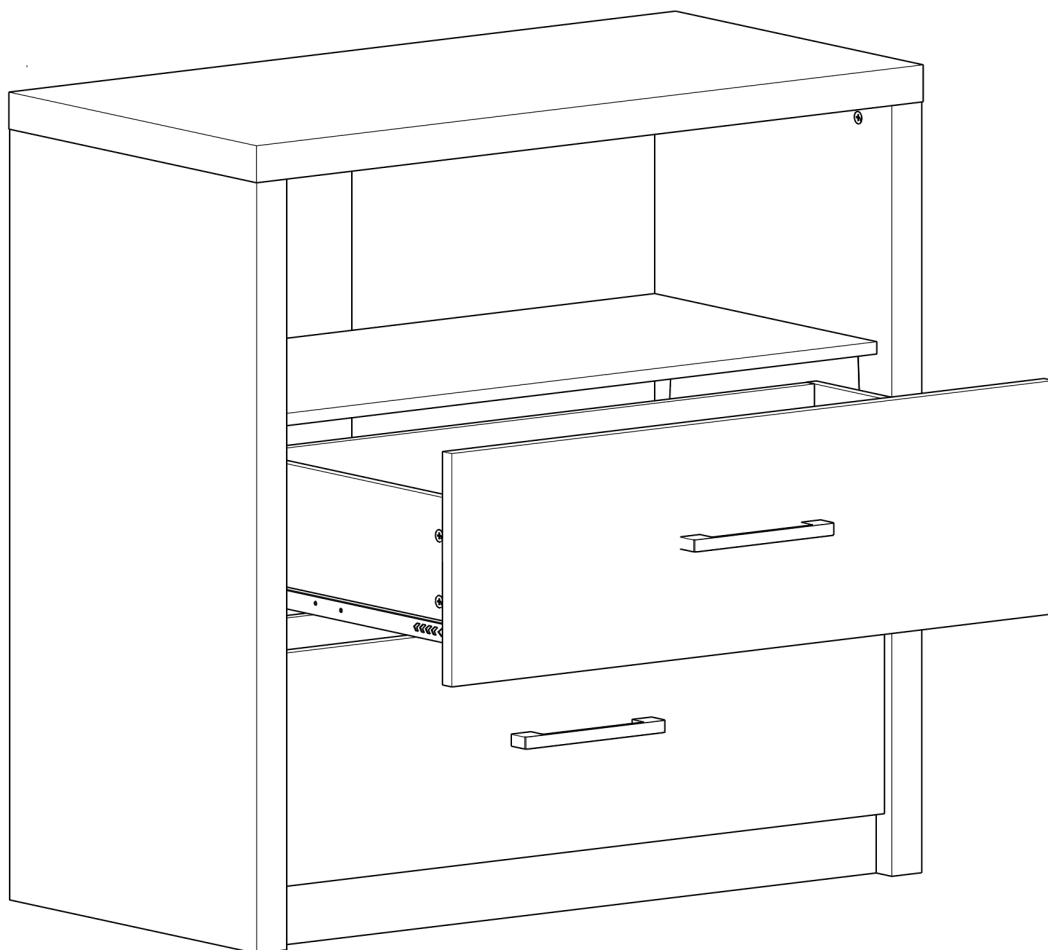
25.



26.



27.



28.

