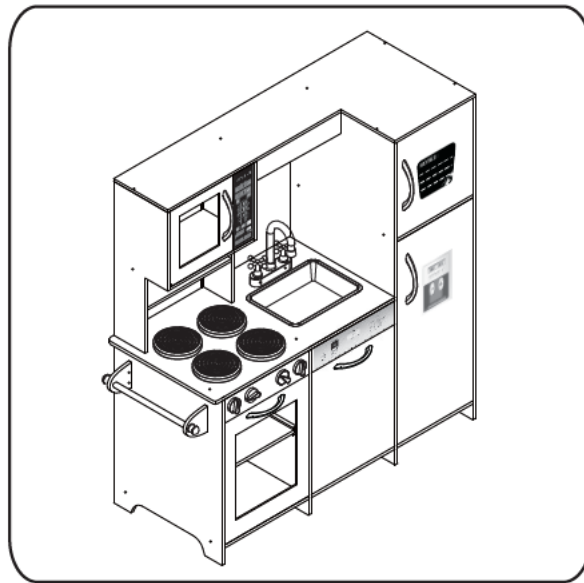


Gourmet Kitchen



WARNING **CAUTION**

- **ADULT ASSEMBLY REQUIRED.**

CHOKING HAZARD. This product includes small parts, sharp points and sharp edges in its unassembled state. Keep unassembled parts away from children under 3 years of age.

If used improperly, your kitchen may be pulled over or fall, creating risk of injury or damage. Children should not be permitted to climb or pull on the kitchen.

USE AND MAINTENANCE:

Use on level surfaces only!

Because this product needs assembly, it is prone to working itself loose from time to time depending on the use. Please take the time to check that all connections are still tight and working properly for the safety and enjoyment of your child.

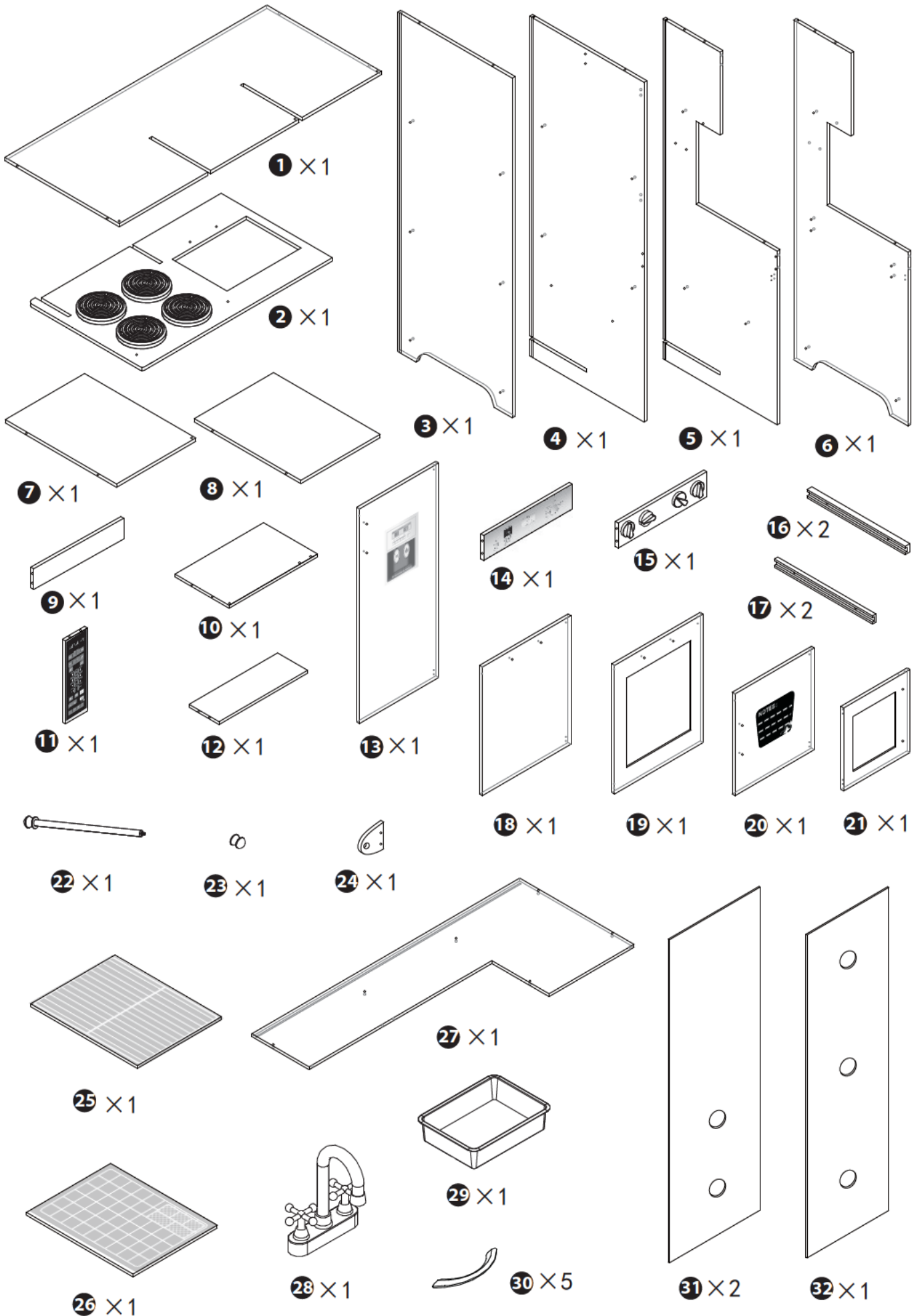
PARENTAL SUPERVISION IS REQUIRED.

This Naomi Kids product is intended for a specific age or older.

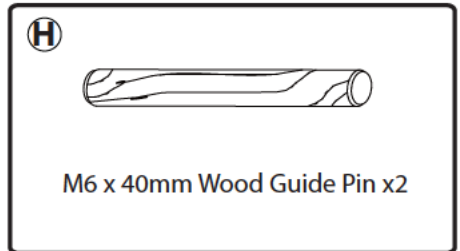
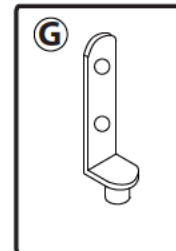
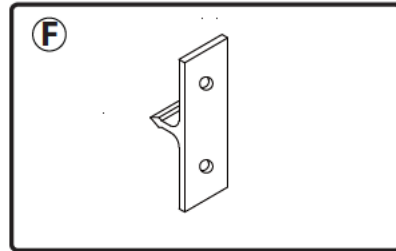
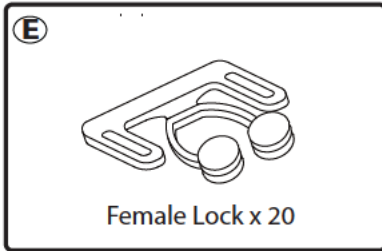
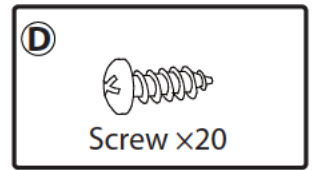
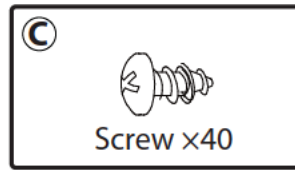
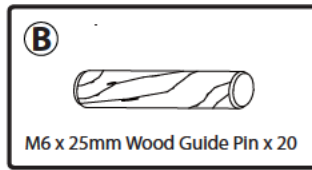
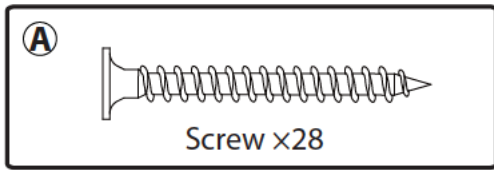
Parents or Guardians should supervise the play area in case younger children have access to it and might climb on it.

See instructions included with the wall strap.

ASSEMBLY AT A GLANCE



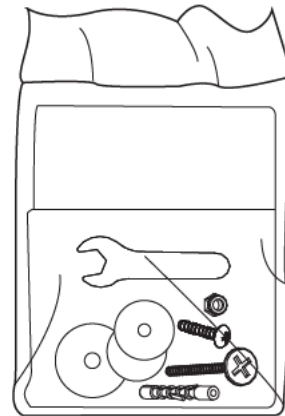
ASSEMBLY HARDWARE



Note : Use a Phillips Screw-Driver for assembly (not included).

Please check to see if you have all the parts and components listed here. If you are missing any parts please STOP and contact customer service. Visit www.NaomiHome.com

WALL STRAP BRACKET KIT
For details on this kit, please go to page 19 for more info.

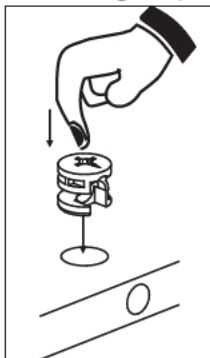


INSTALLING CAM LOCKS

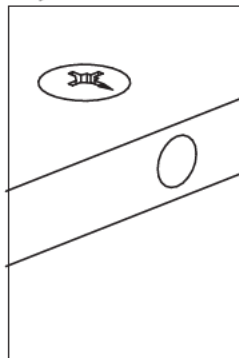
1 Identify arrow on head. Look closely.



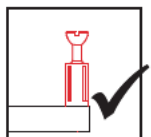
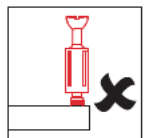
2 Arrow MUST point toward hole in edge of panel.



3 Push cam lock all the way down into hole.



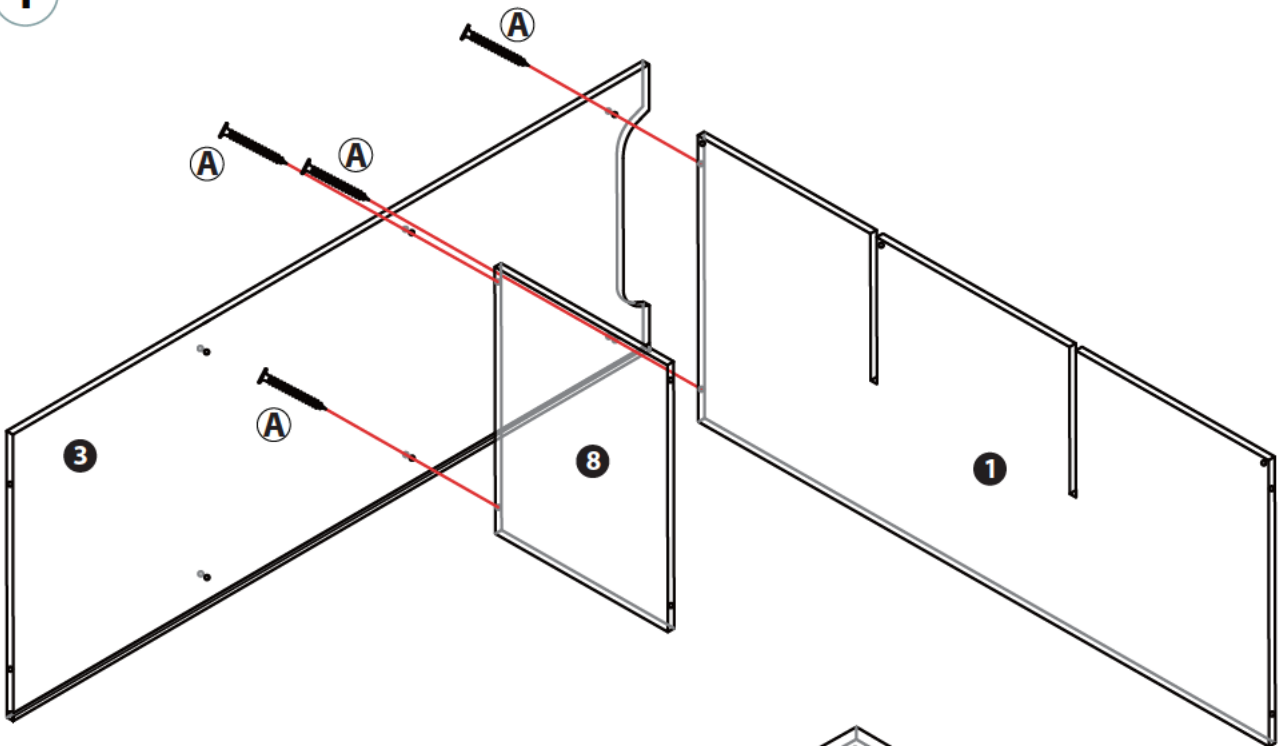
INSTALLING CAM BOLTS



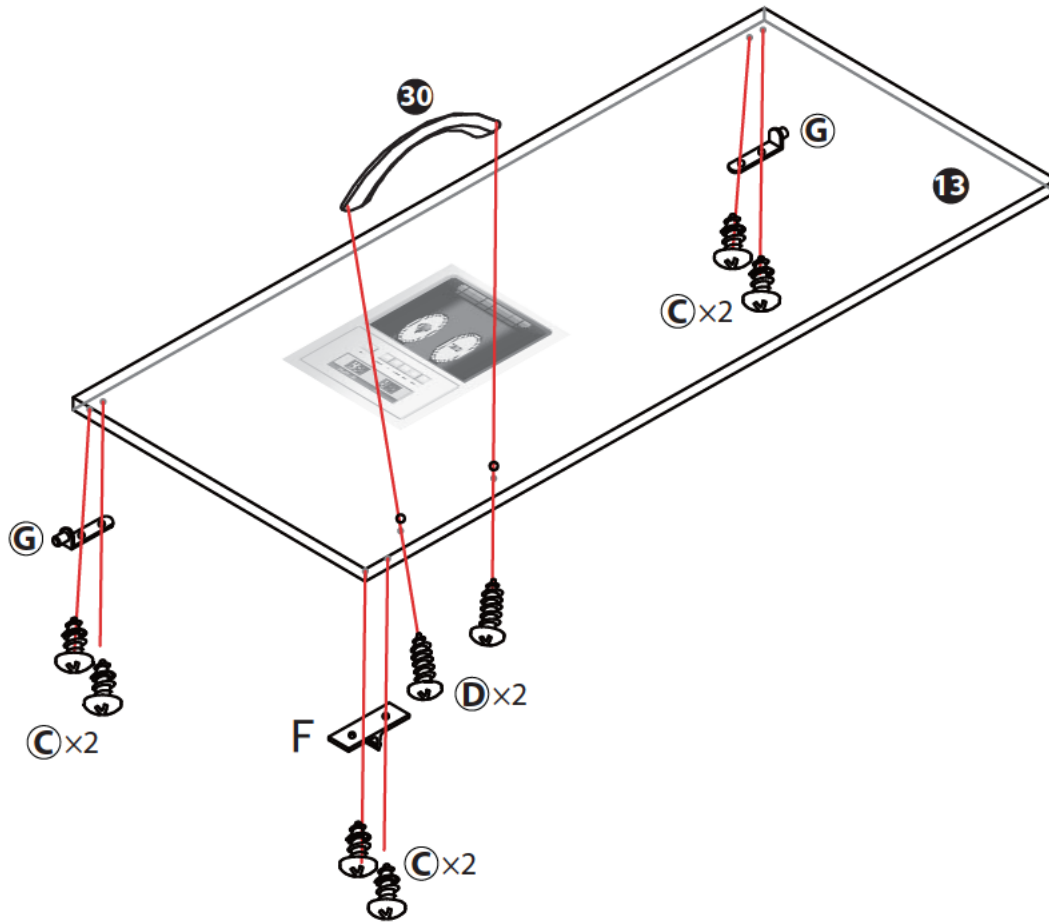
F

ASSEMBLY INSTRUCTIONS

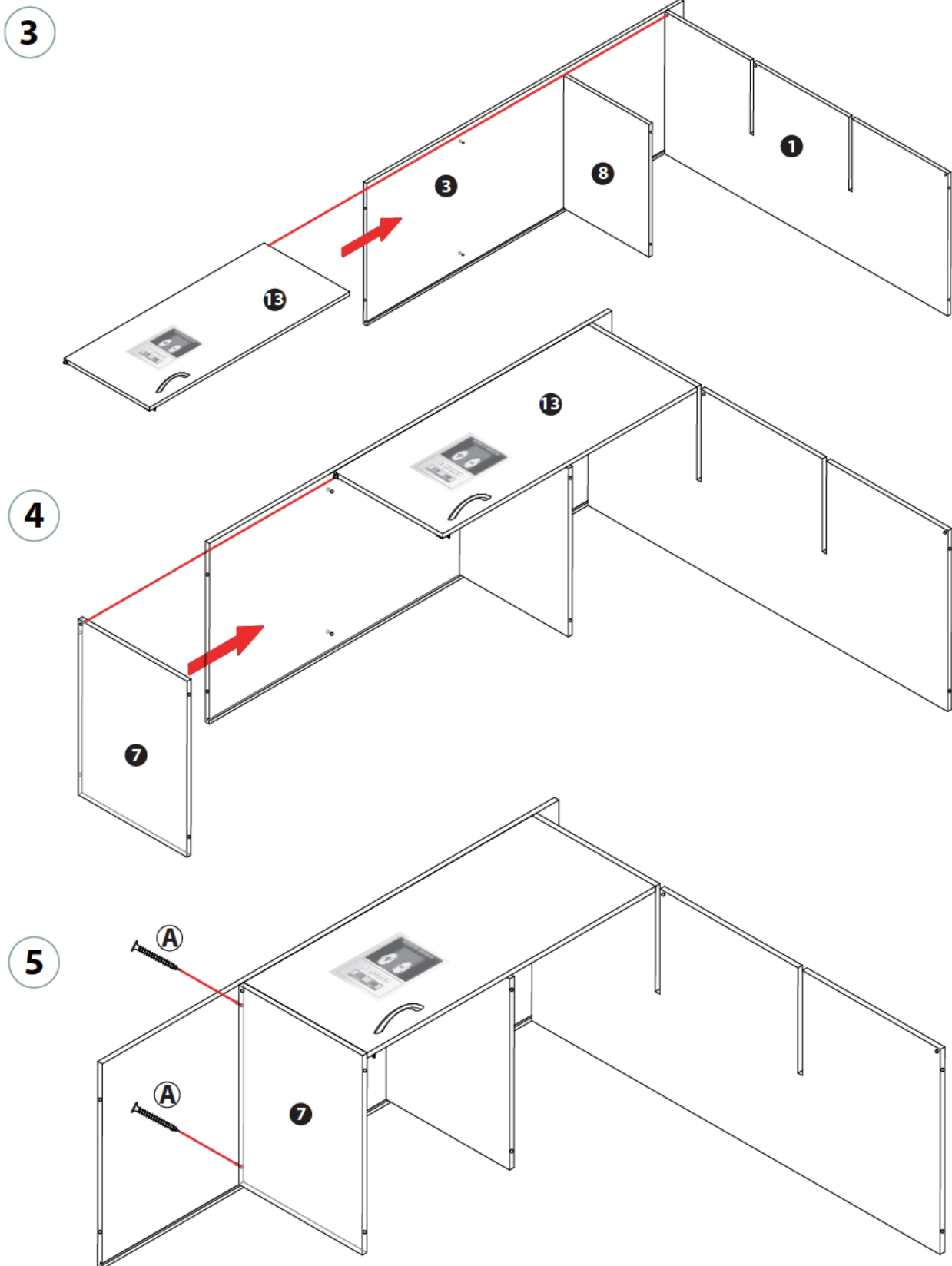
1



2

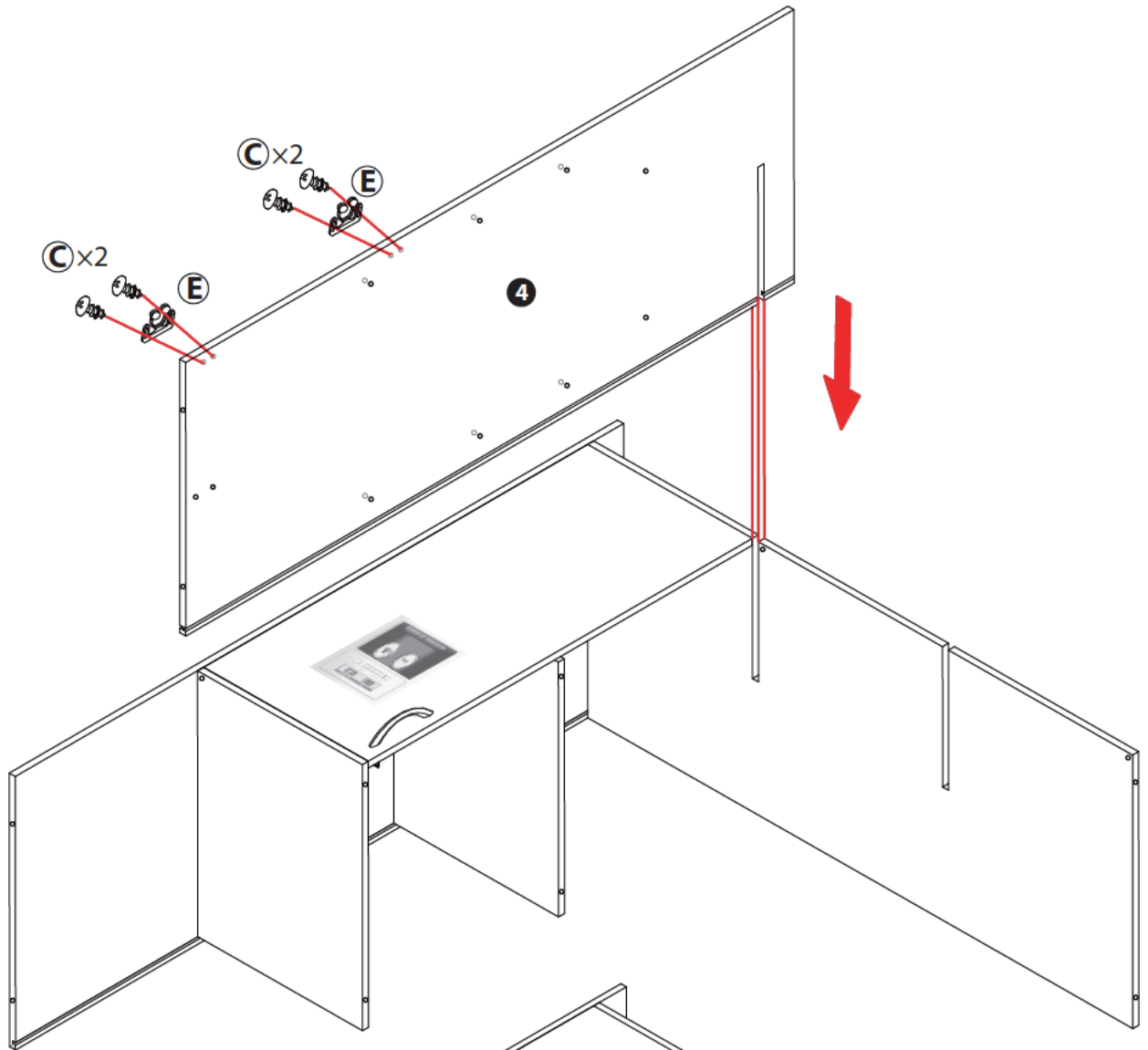


ASSEMBLY INSTRUCTIONS

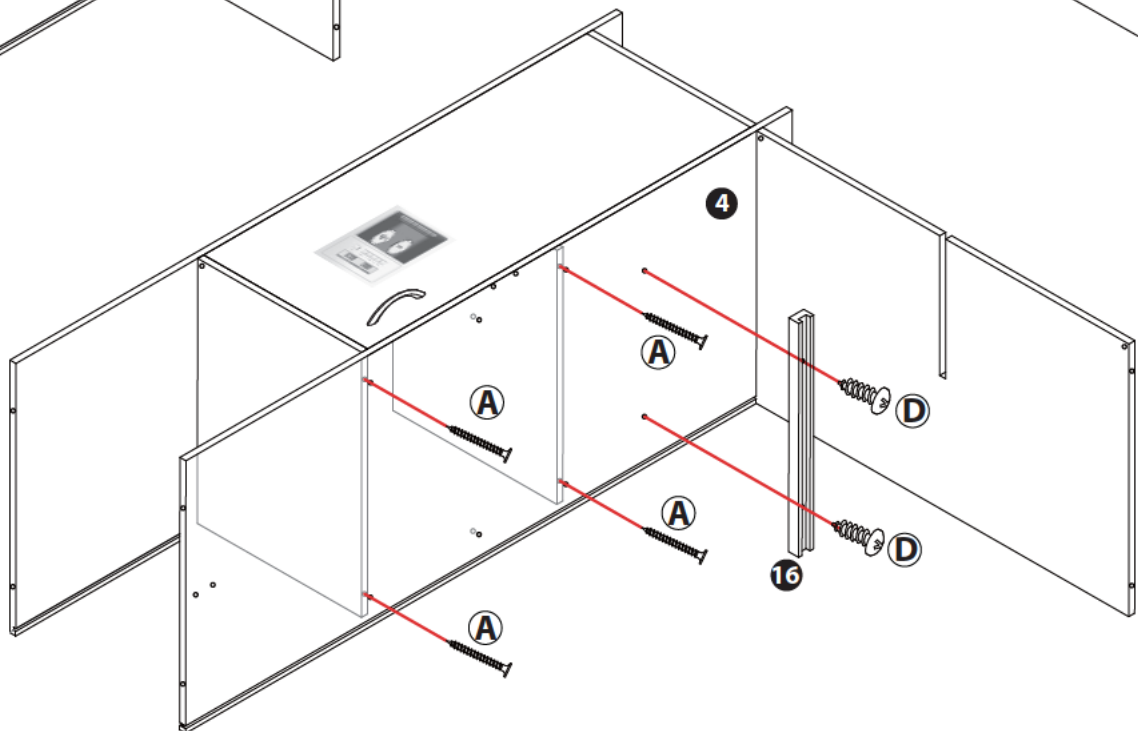


ASSEMBLY INSTRUCTIONS

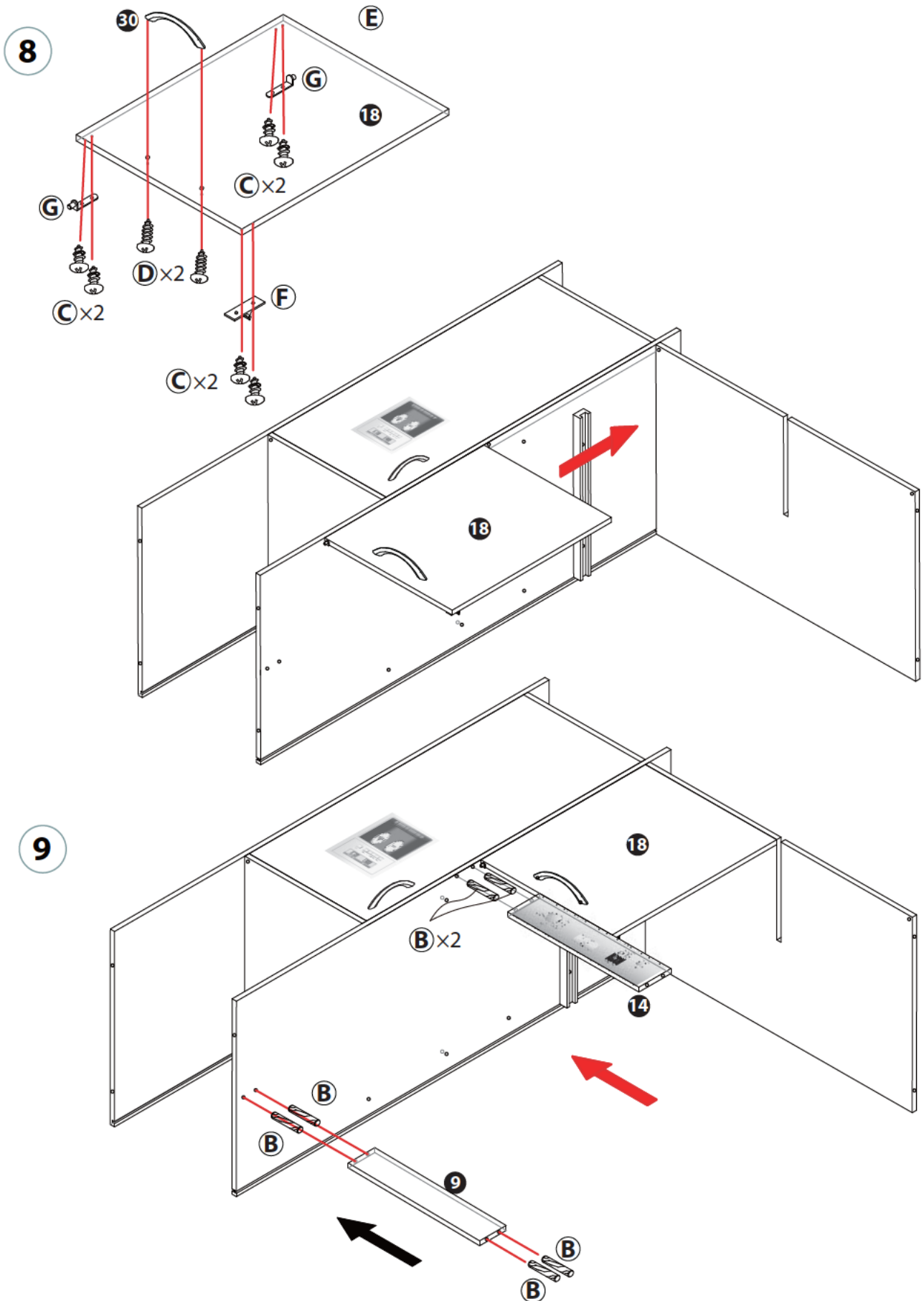
6



7

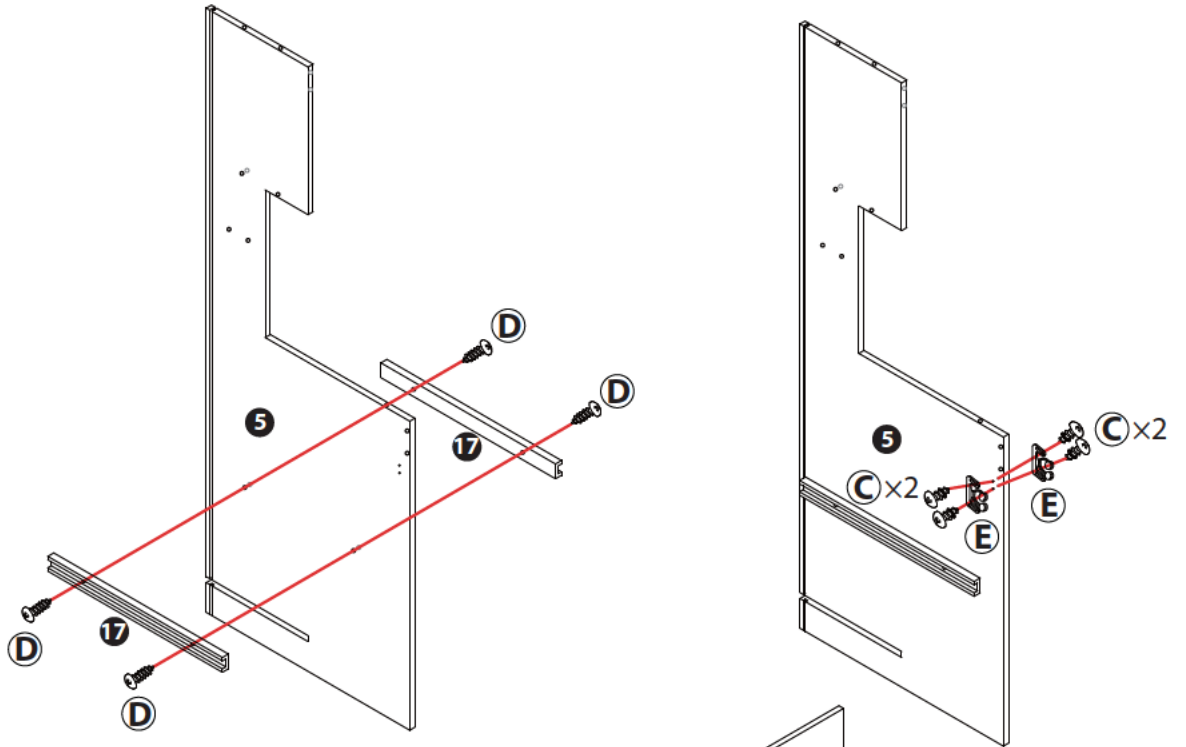


ASSEMBLY INSTRUCTIONS

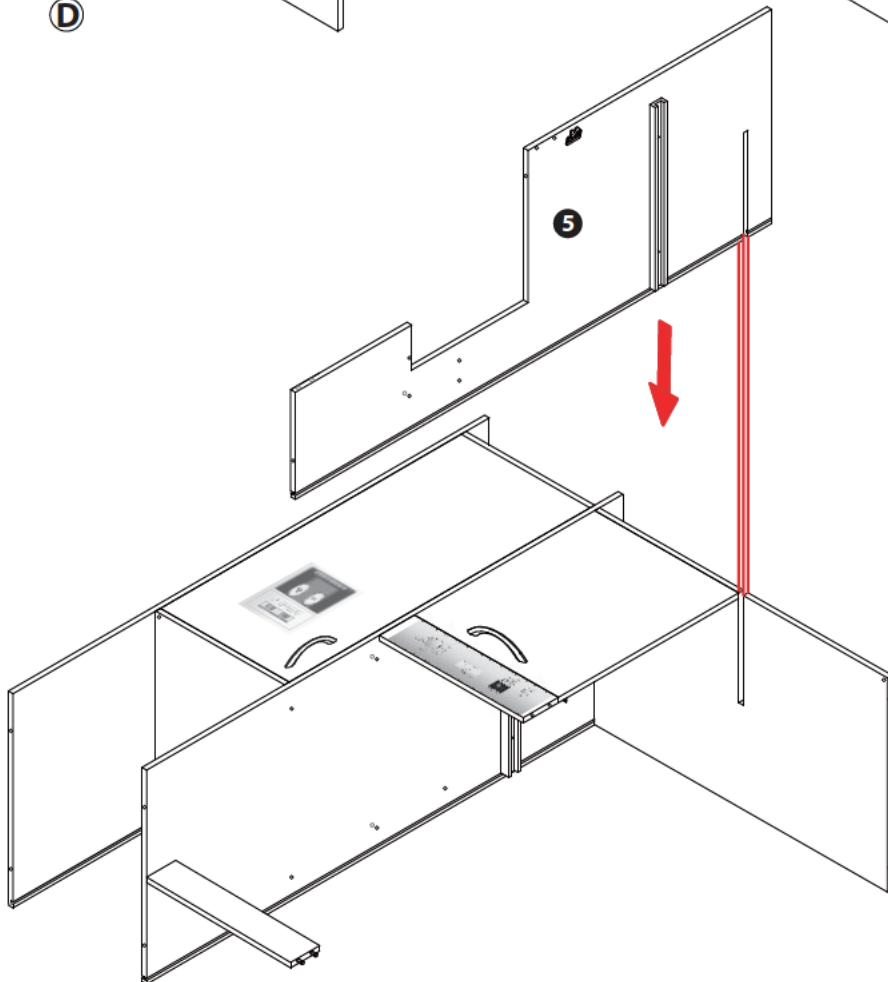


ASSEMBLY INSTRUCTIONS

10

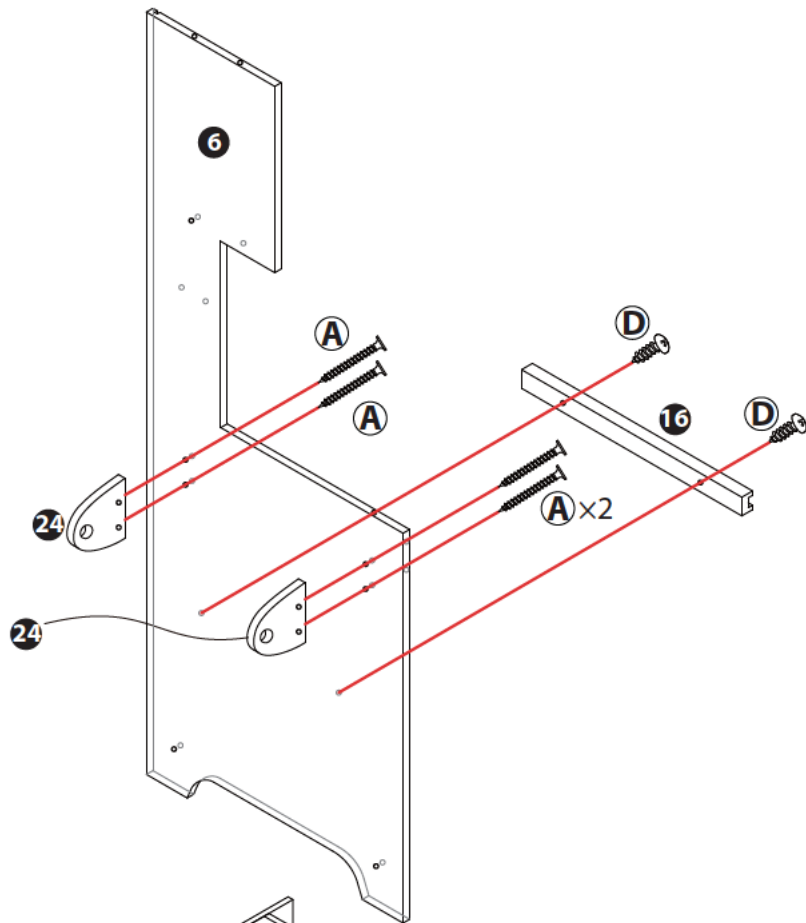


11

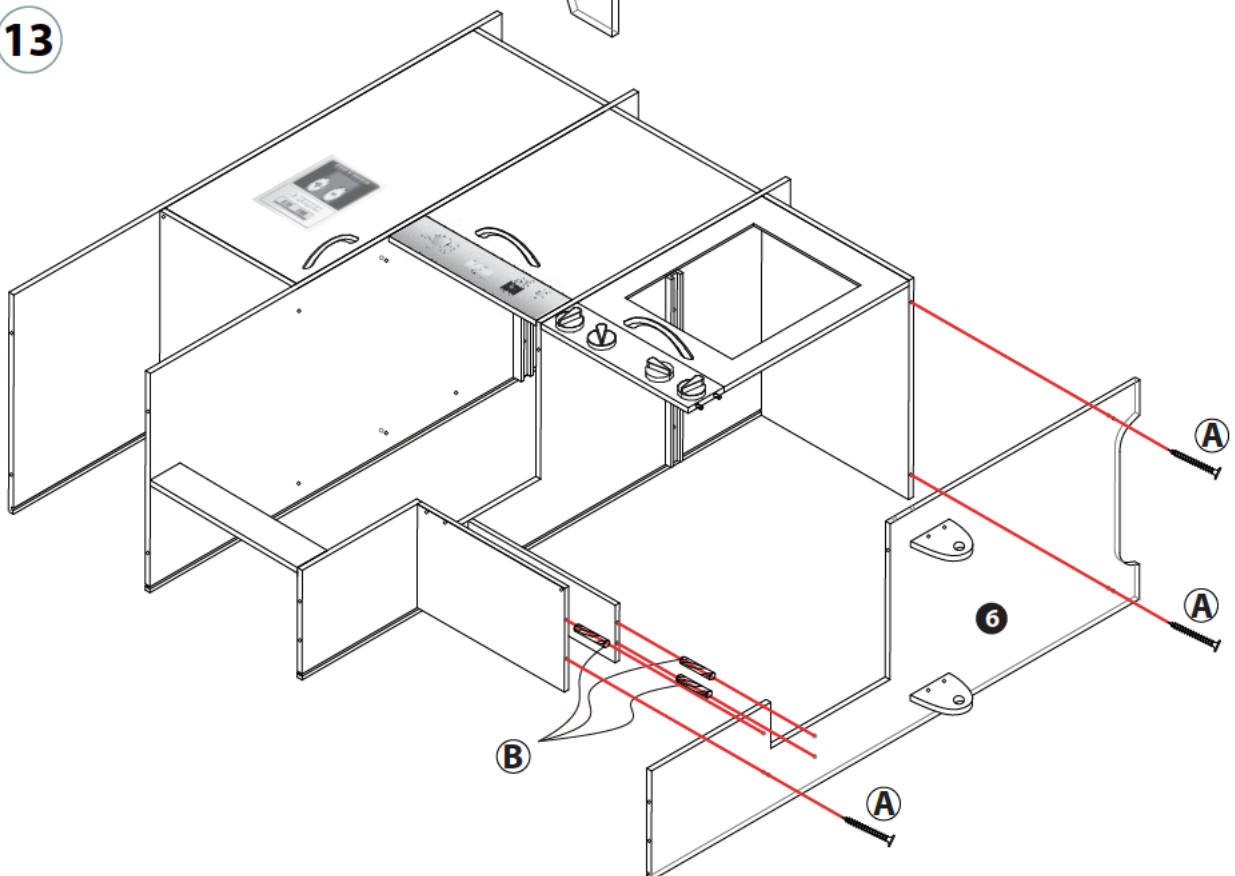


ASSEMBLY INSTRUCTIONS

12

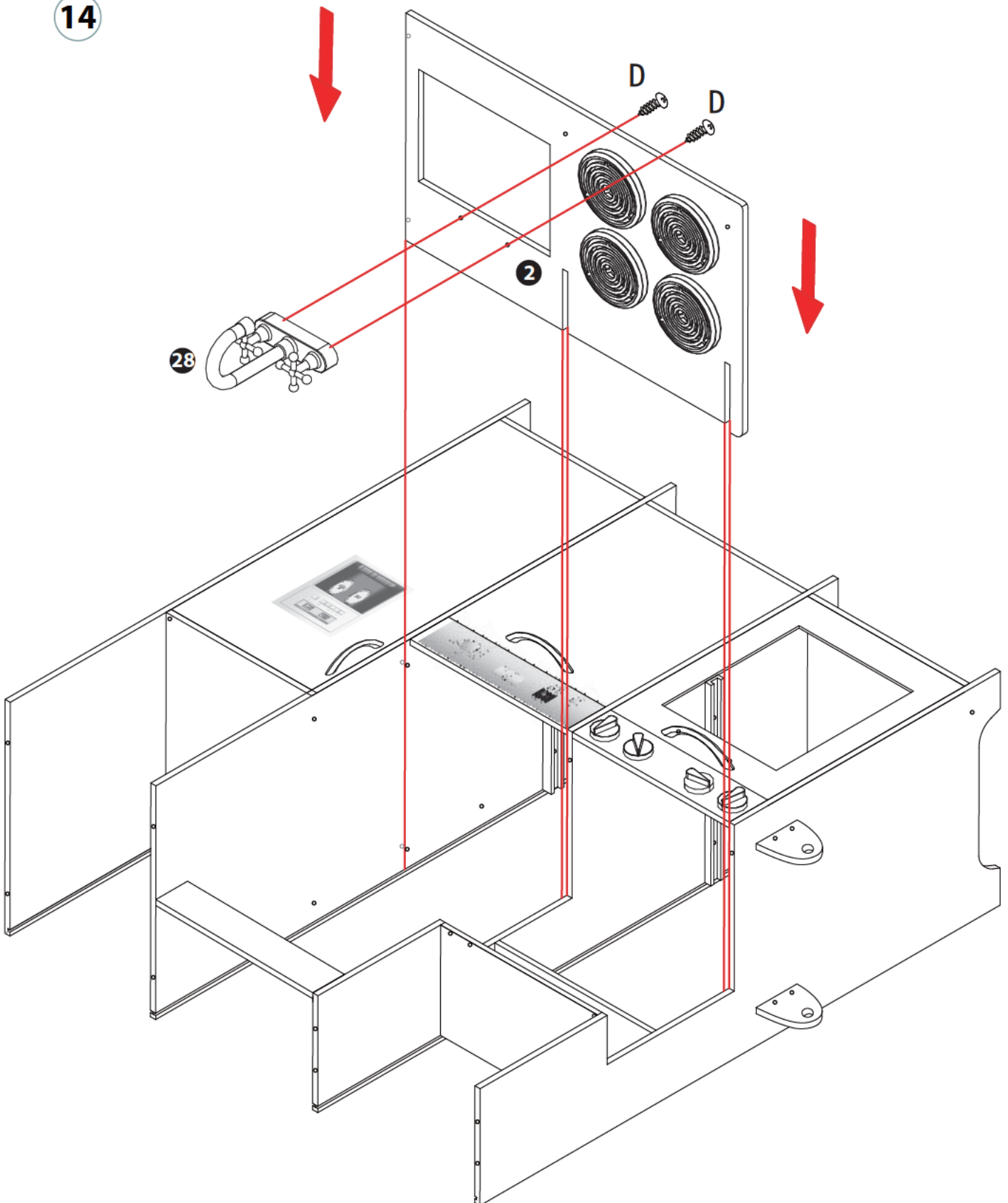


13



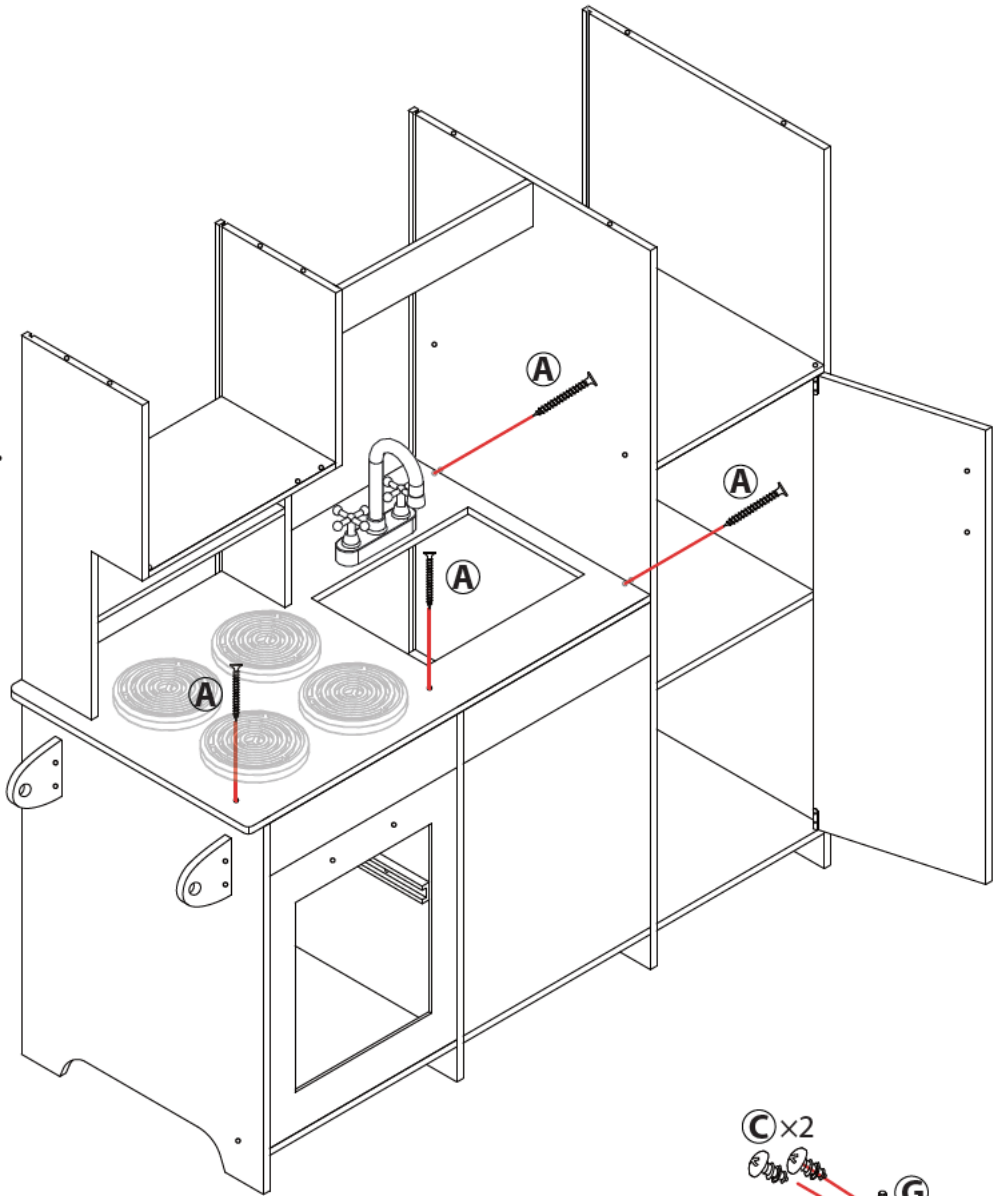
ASSEMBLY INSTRUCTIONS

14

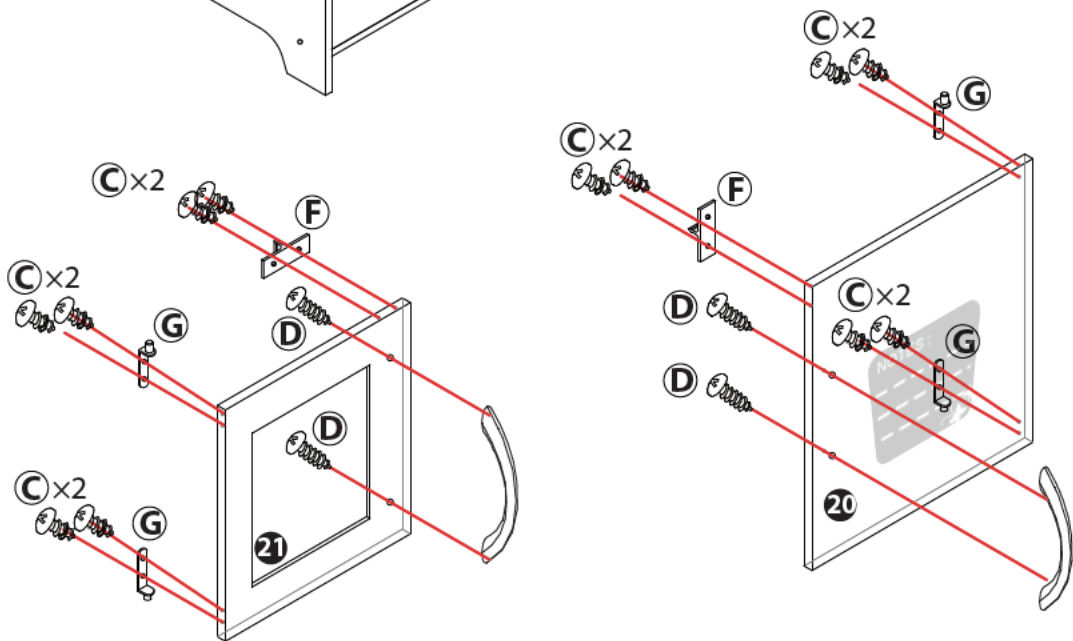


ASSEMBLY INSTRUCTIONS

15

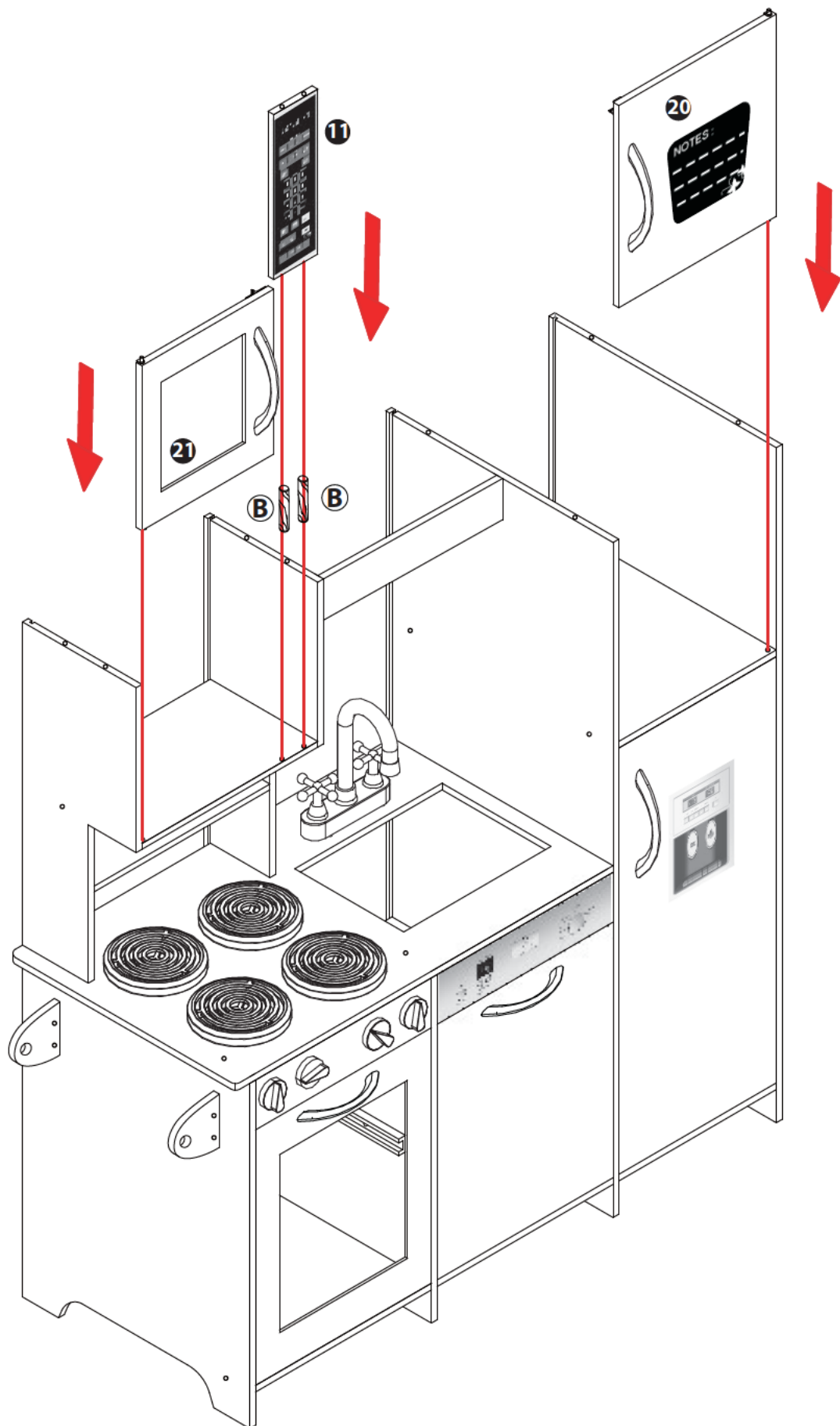


16



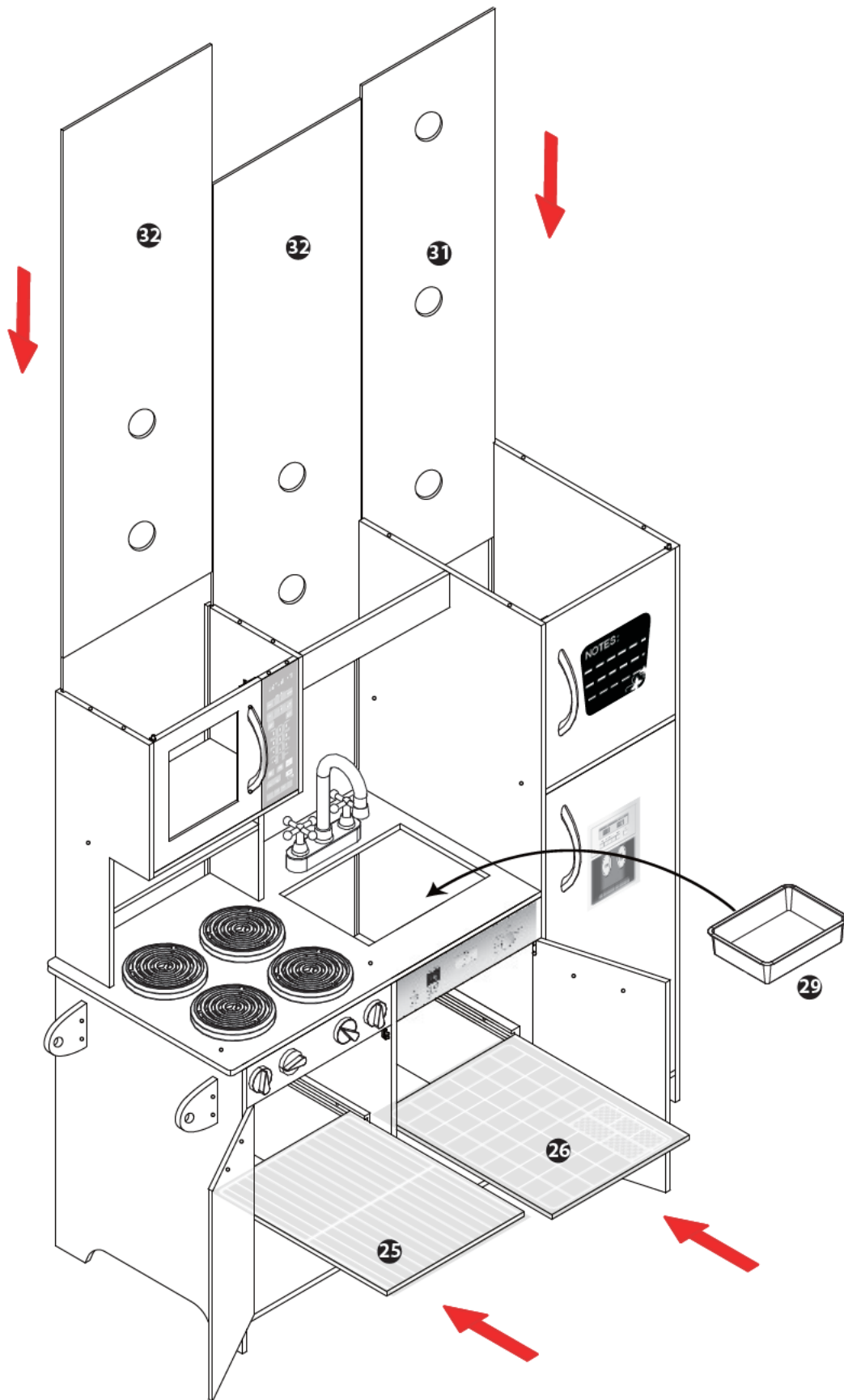
ASSEMBLY INSTRUCTIONS

17

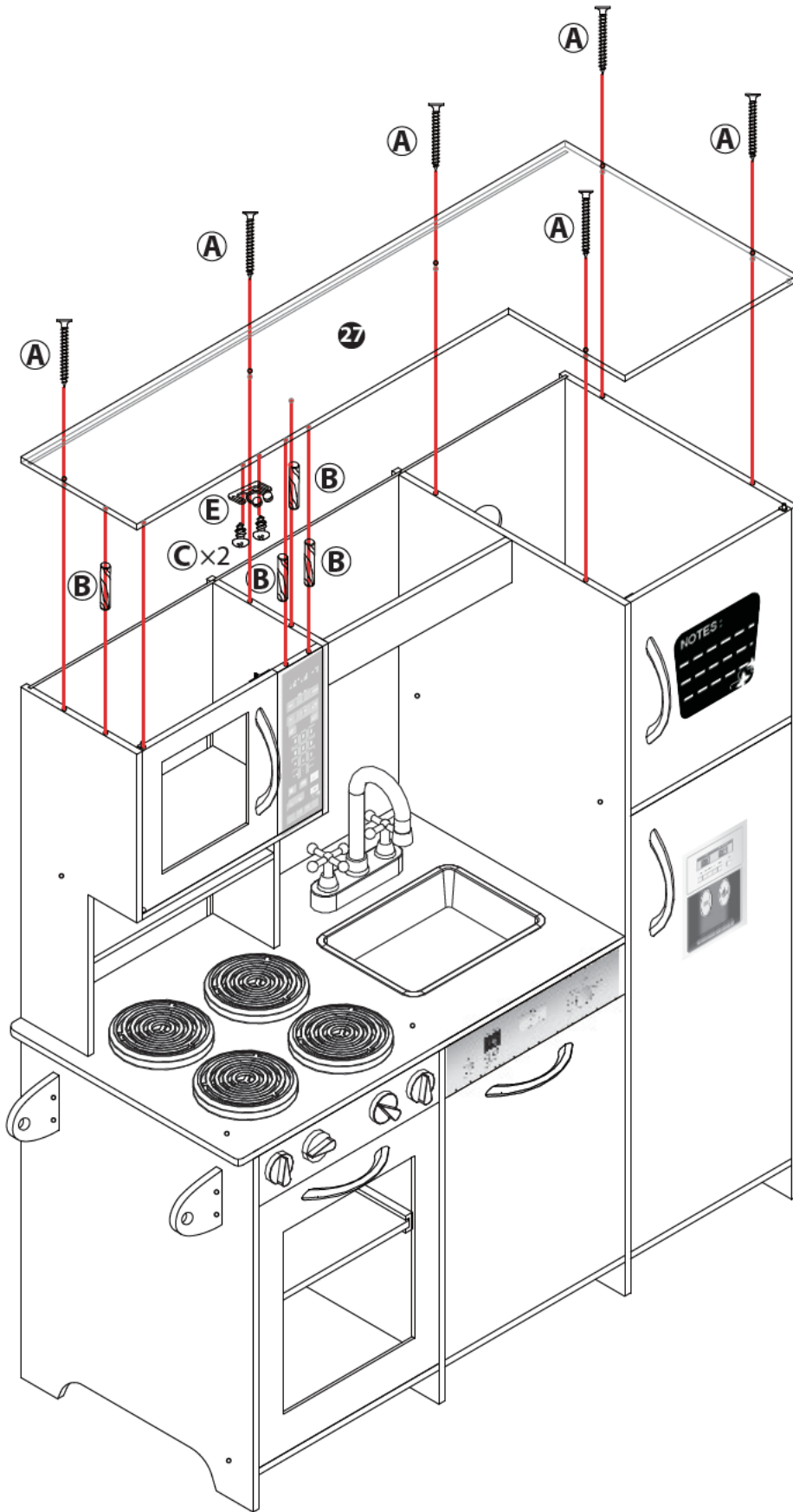


ASSEMBLY INSTRUCTIONS

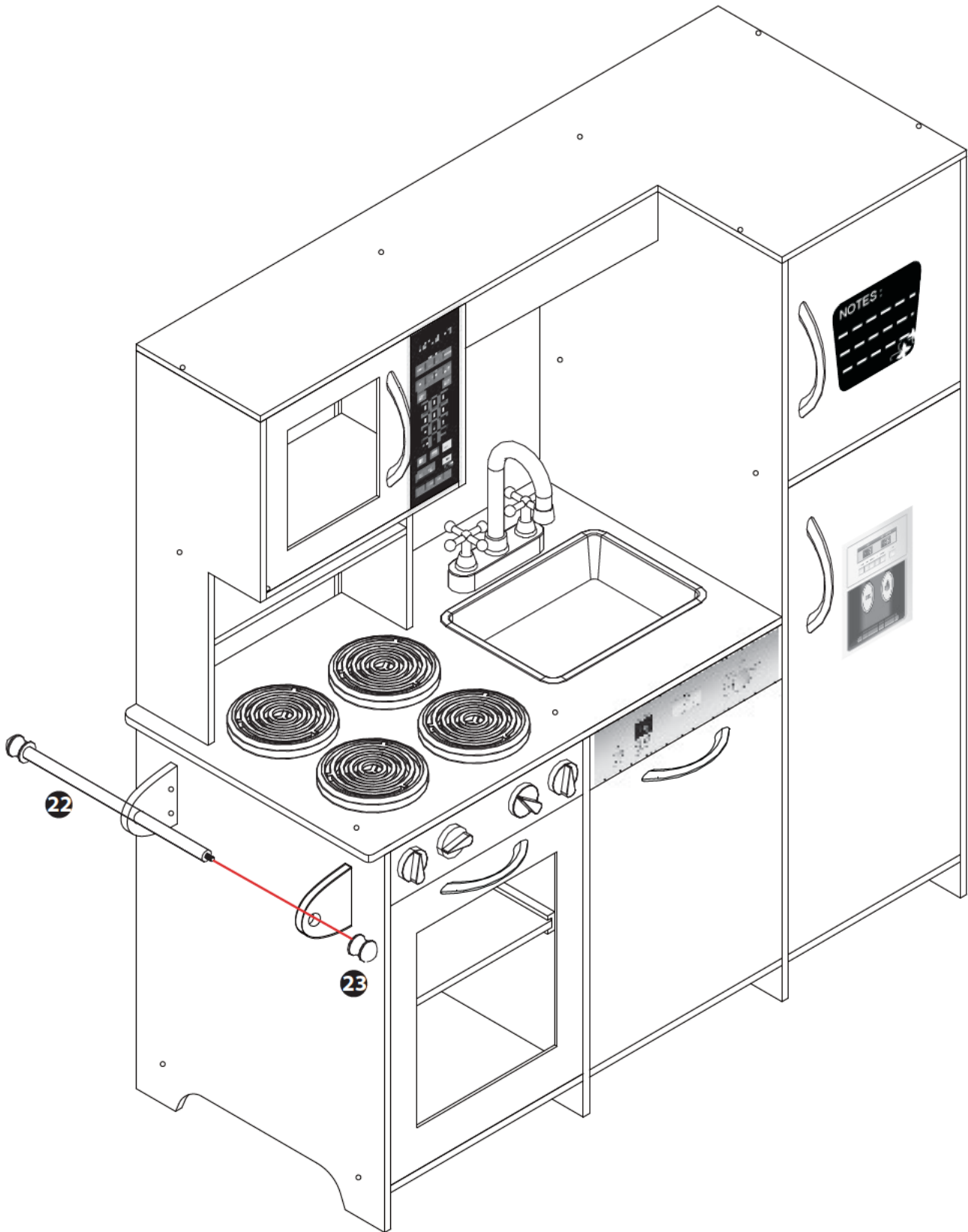
18



ASSEMBLY INSTRUCTIONS



ASSEMBLY INSTRUCTIONS



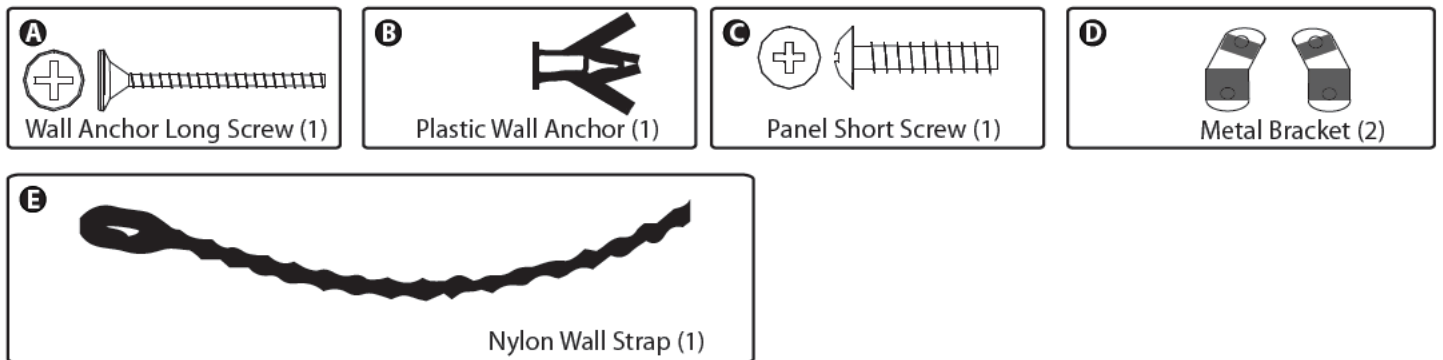
WALL STRAP BRACKET KIT

WARNING: The wall strap kit is only a deterrent, and it is not a substitute for proper adult supervision. For safe use of this kitchen we recommend that you secure it to the wall with the wall strap bracket kit included.

1. Attach one of the mounting brackets securely to the back edge of the top panel part 27. Install bracket to top of the unit. Use the shorter screw.
2. Determine where furniture is to be placed and mark location on the wall for the mounting bracket screw hole approximately 2" below the bracket mounted to the top panel 27 on the kitchen.
3. Drill a 3/8" hole in the wall. Press the plastic anchor into the hole and gently tap with a light hammer until the flange on the anchor is against the wall surface.
4. Position the bracket over the anchor and use the longer screw to securely attach the bracket to the wall.
5. Place the furniture so the bracket on the back edge is in line with the bracket on the wall.
6. Lace an end of the nylon restraint strap down through each bracket. Bring both ends together and slide the beaded end of the strap through the keyhole shaped slot in the other end until snug. Pull down on the beaded end until it snap locks into the keyhole slot.
7. To double lock return the beaded end backthrough the keyhole as shown.
8. Check to make sure the strap is securely laced and locked to the brackets.

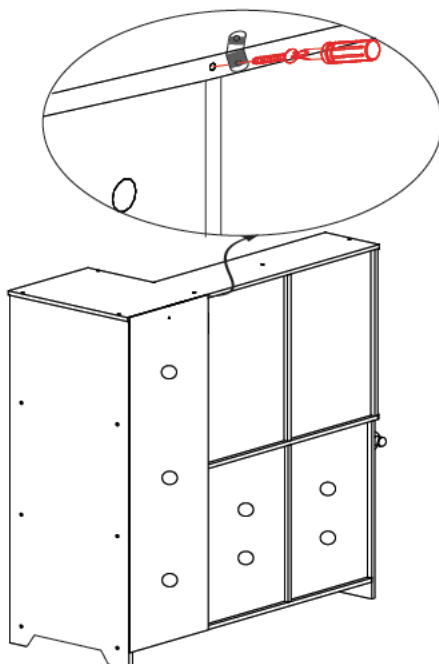
Please note: If anchoring into plaster, brick or other harder surfaces, you may wish to consult with your local hardware store for the appropriate anchor and type of drillbit.

ASSEMBLY HARDWARE



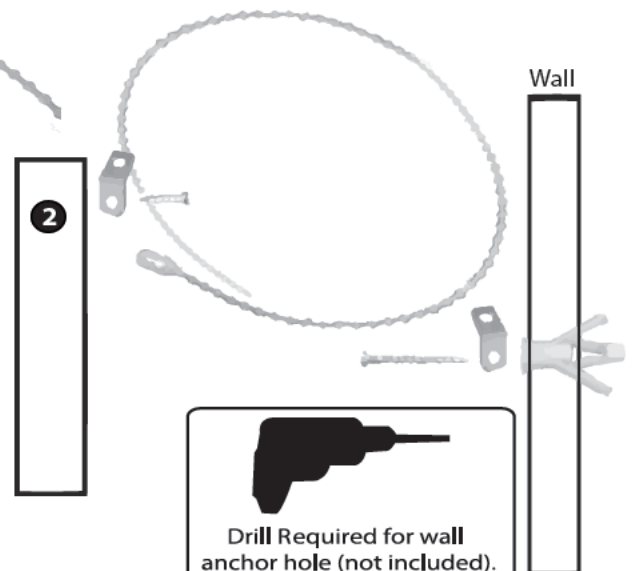
ASSEMBLY INSTRUCTIONS

TO ATTACH TO THE BACK OF THE KITCHEN



TO ATTACH TO THE WALL

9.5mm 3/8" hole in wall



COMPLETED GOURMET KITCHEN

