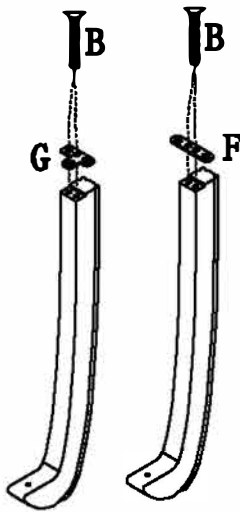
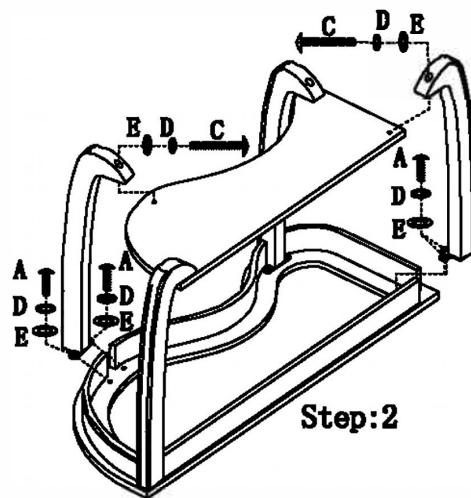


ASSEMBLY INSTRUCTIONS

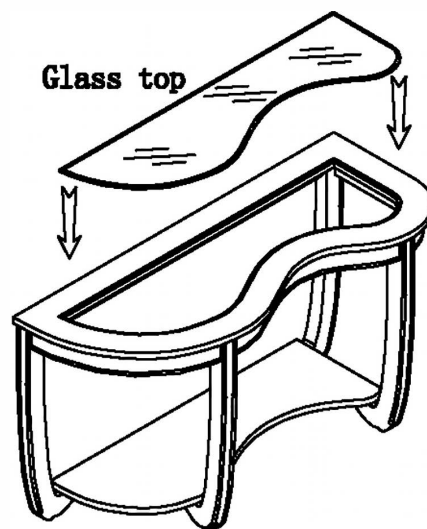
step1



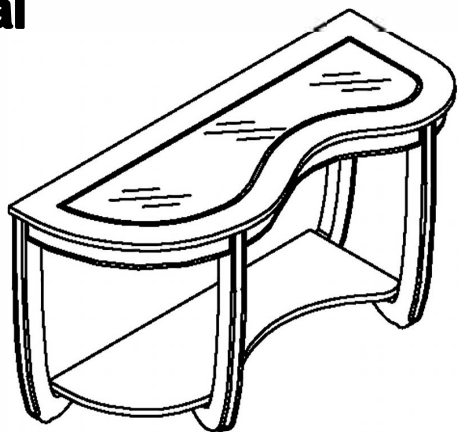
step2



step3



final



HARDWARE LIST:

NO.	DRAWING	QTY	DESCRIPTION
A		8PCS	BOLT (ϕ1/4" * 5/8" L)
B		8PCS	BOLT (ϕ1/4" * 1" L)
C		4PCS	BOLT (ϕ1/4" * 1-1/2" L)
D		12PCS	LOCK WASHER (ϕ1/4")
E		12PCS	WASHER (ϕ1/4" * 19mm)
F		2PCS	
G		2PCS	

*DO NOT TIGHTEN SCREWS UNTIL COMPLETELY ASSEMBLED! !