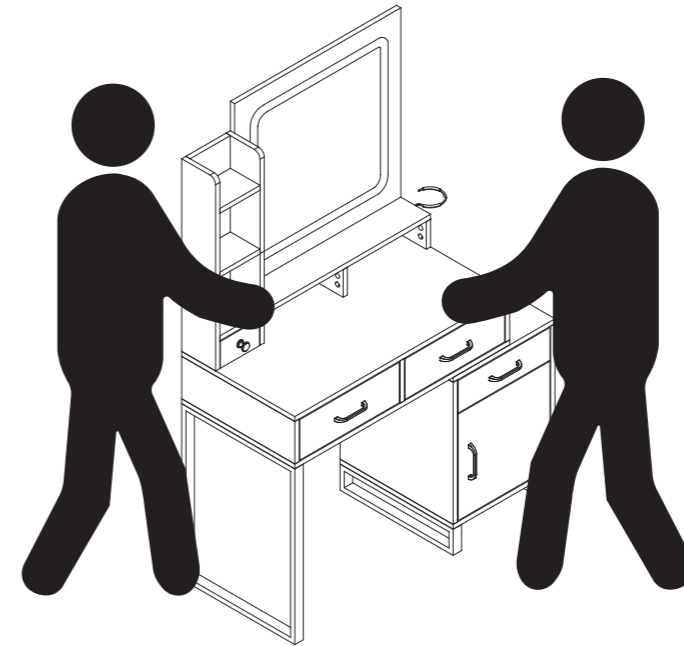


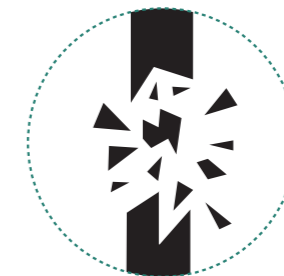
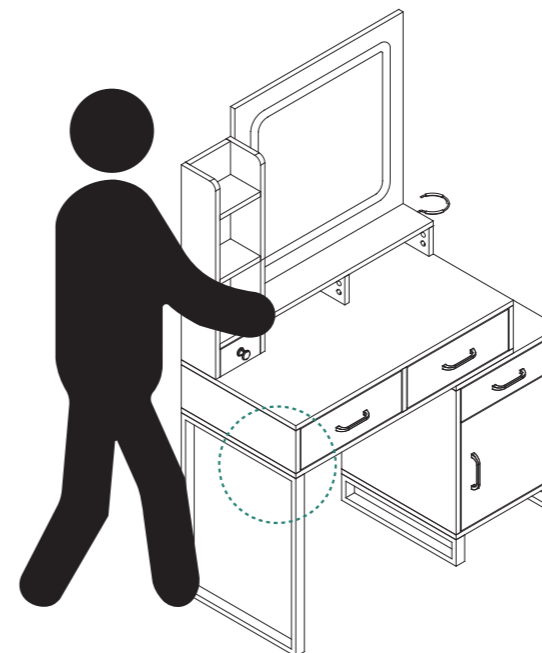
"IMPORTANT, RETAIN FOR FUTURE REFERENCE: READ CAREFULLY"

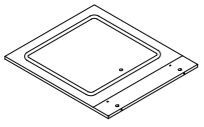
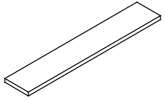
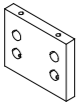
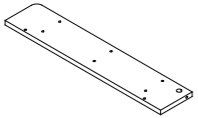
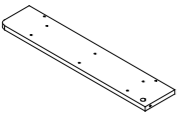
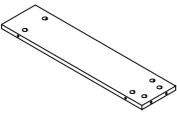
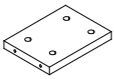
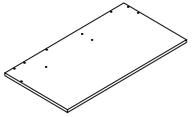
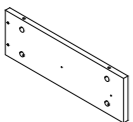
- ⚠ 1. Two or more people are needed to complete the installation.
- 2. Please protect the wires and remote control accessories from damage during installation.
- 3. Professional installation is highly recommended.
- 4. Assemble on a flat, clean and soft surface.

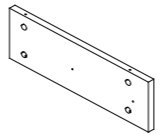
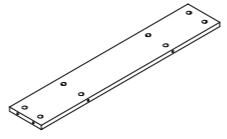
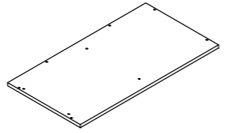
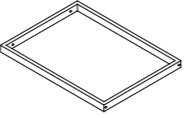
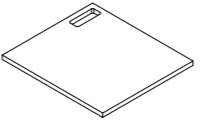
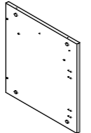
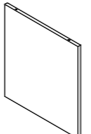
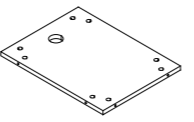
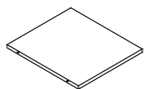
**Requires two people to lift and move.**

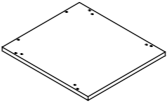
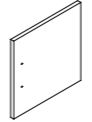
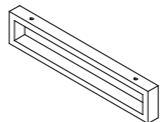
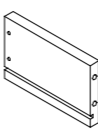
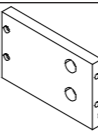
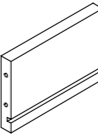
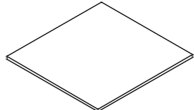
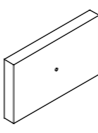
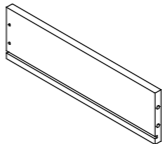
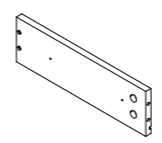
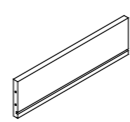


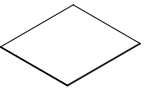
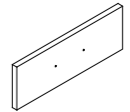
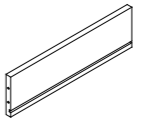
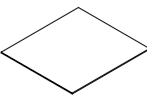
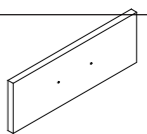
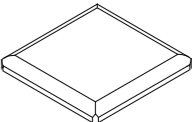
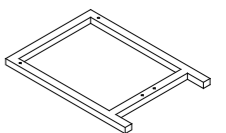
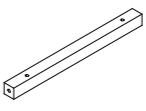
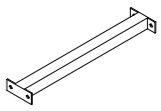

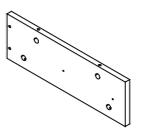
**Dragging alone may cause the legs to break and the screws in the panel to crack.**



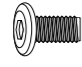
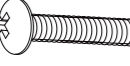
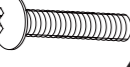
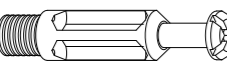


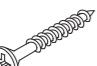











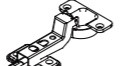

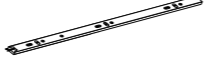
Item no.	Reference Image	Qty.
1		X1
2		X1
3		X2
4		X1
5		X1
6		X1
7		X3
8		X1
9		X1


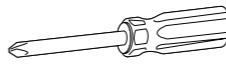
Item no.	Reference Image	Qty.
10		X1
11		X1
12		X1
13		X1
14		X1
15		X1
16		X1
17		X1
18		X1



Item no.	Reference Image	Qty.
19		X1
20		X1
21		X2
22		X1
23		X1
24		X1
25		X1
26		X1
27		X3
28		X3
29		X2

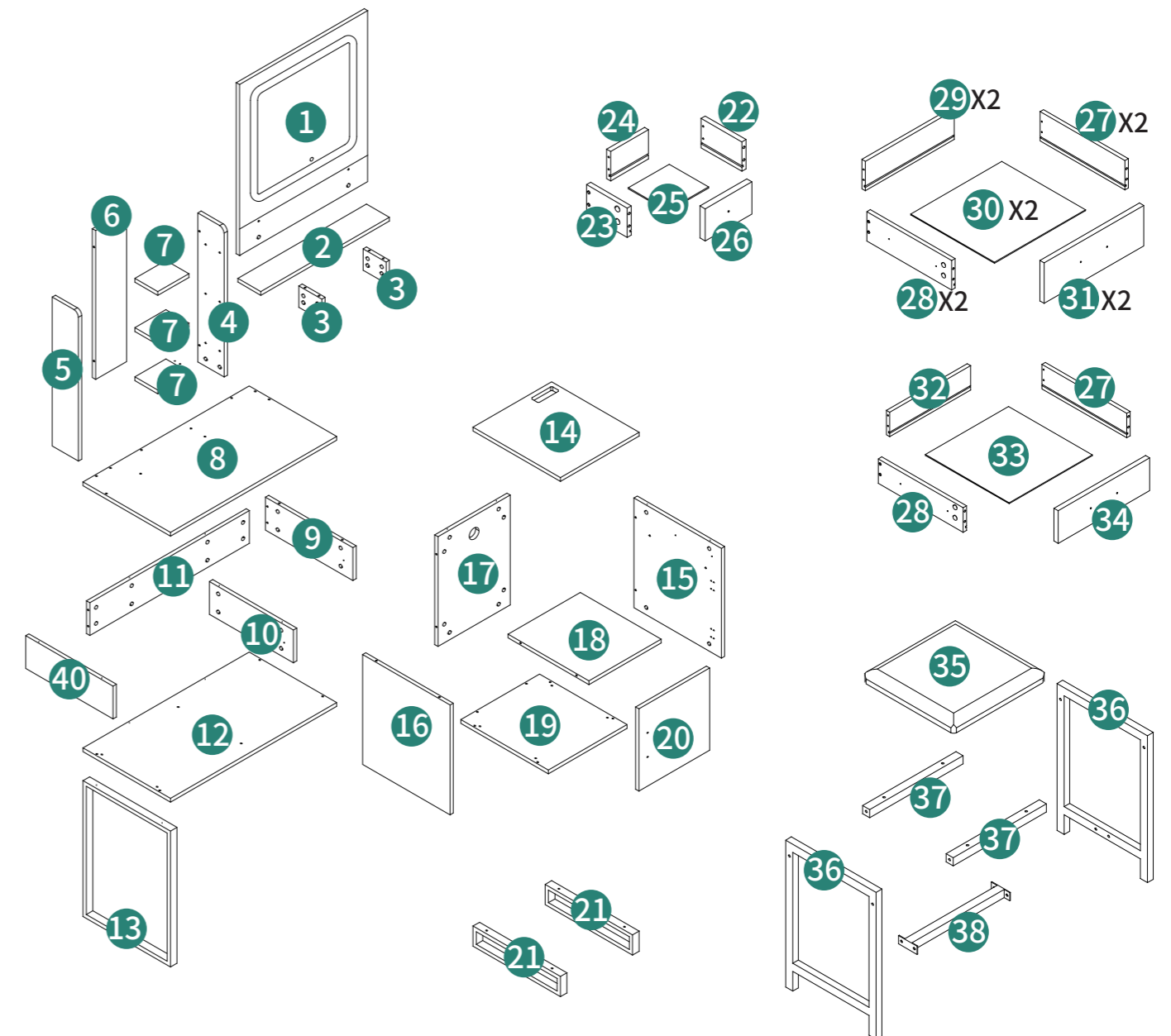
Item no.	Reference Image	Qty.
30		X2
31		X2
32		X1
33		X1
34		X1
35		X1
36		X2
37		X2
38		X1
39		X1
40		X1

Item no.	Reference Image	Qty.
(A)	 6X45mm	X4
(B)	 6X35mm	X6
(C)	 6X12mm	X4
(D)	 4X18mm	X8
(W-1)	 4X20mm	X1
(E)	 8X16mm	X88
(F)	 15X9.5mm	X16
(G)	 15X12mm	X72
(H)	 5X40mm	X4
(I)	 3.5X25mm	X16
(J)	 4X16mm	X24

Item no.	Reference Image	Qty.
(K)	 3.5X12mm	X26
(L)	 6X16mm	X2
(M)		X2
(N)		X1
(O)		X4
(P)		X1
(Q)		X1
(R)		X2
(S)		X1
(T)		X6

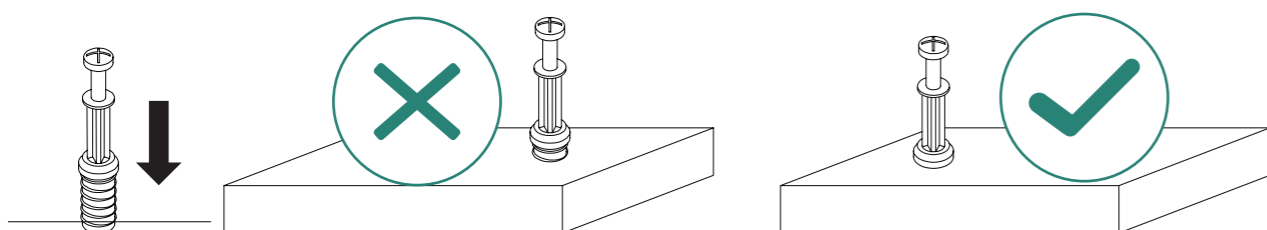
Item no.	Reference Image	Qty.
(U)		X6
(V)		X1

Item no.	Reference Image	Qty.
(W)		X1
(X)		X1

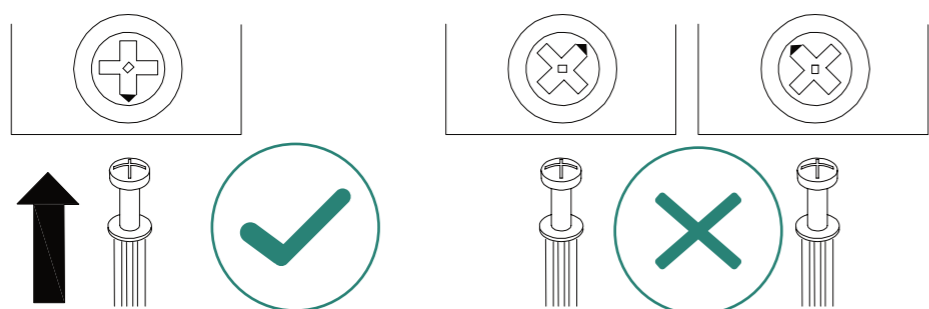


## USING CAM LOCK AND QUICKFIT

Tighten quickfit until shoulder is flush with panel. Do not overtighten or undertighten.

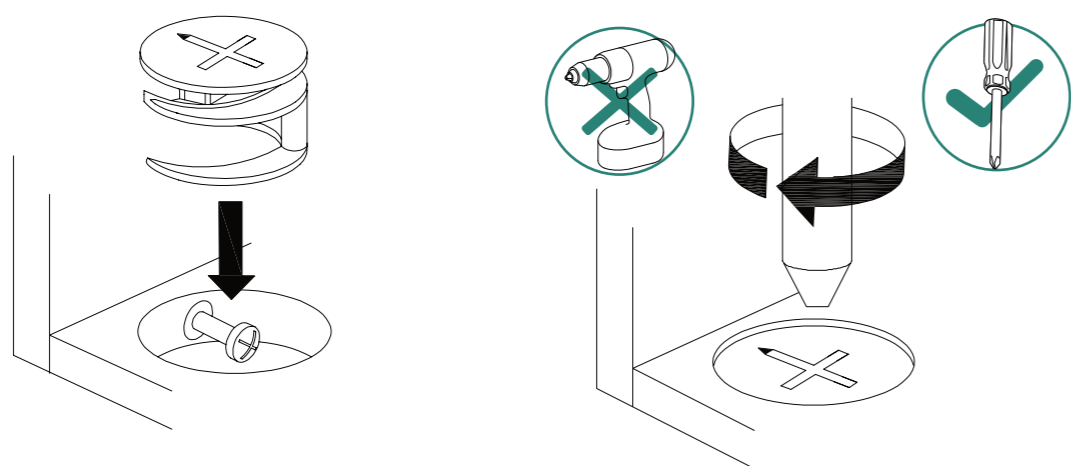


When fitting cam lock, ensure starting position is correct before you insert connecting quickfit.



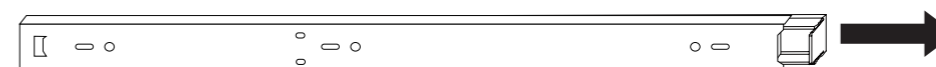
Quickfit head should be in the centre of the cam lock when the two panels are joined. Cam lock should be inserted before quickfit.

Turn cam lock clockwise to tighten.

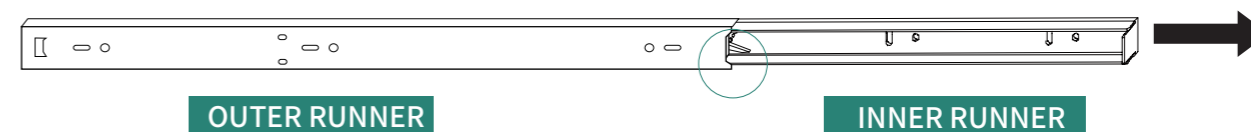


## PRE-FIX DRAWER RUNNER INSTRUCTIONS

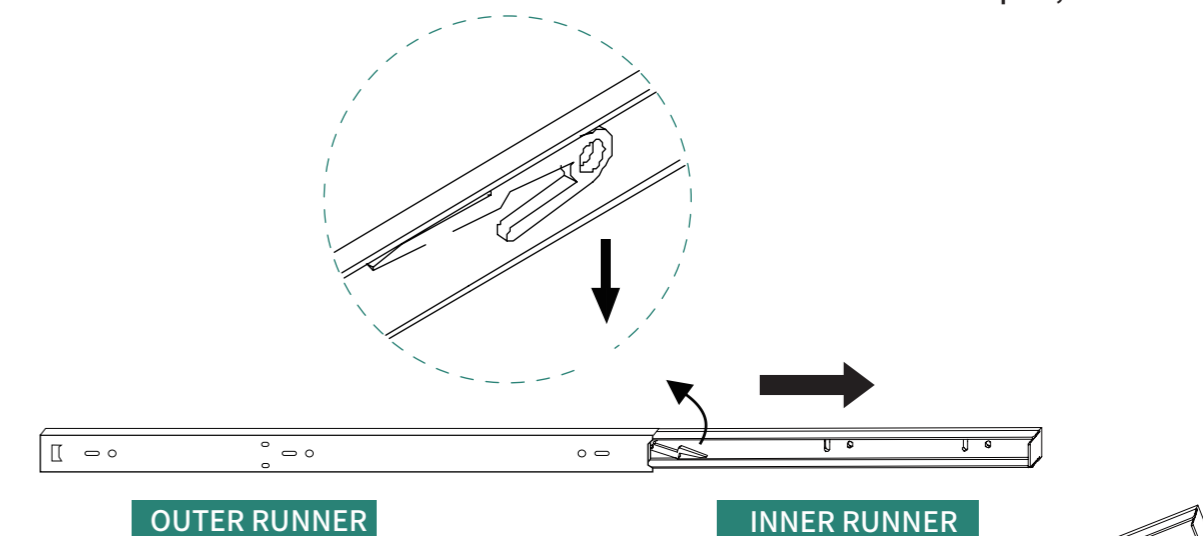
Pull inner and outer drawer runners apart before fixing them to panels.



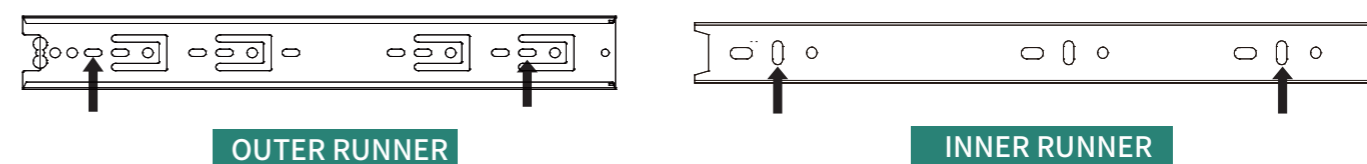
Slide drawer runners apart until the drawer lock can be seen, as shown.



Press and hold the drawer runner lock and then continue to slide drawer runners apart, as shown.



Your inner and outer drawer runners are ready to be fixed to panels.



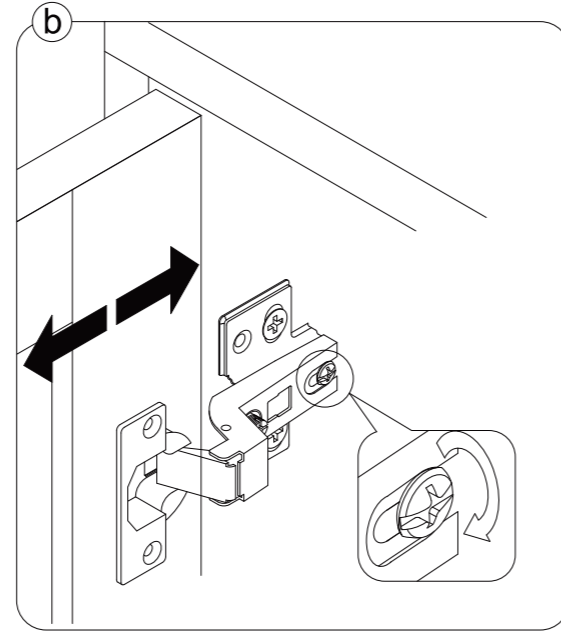
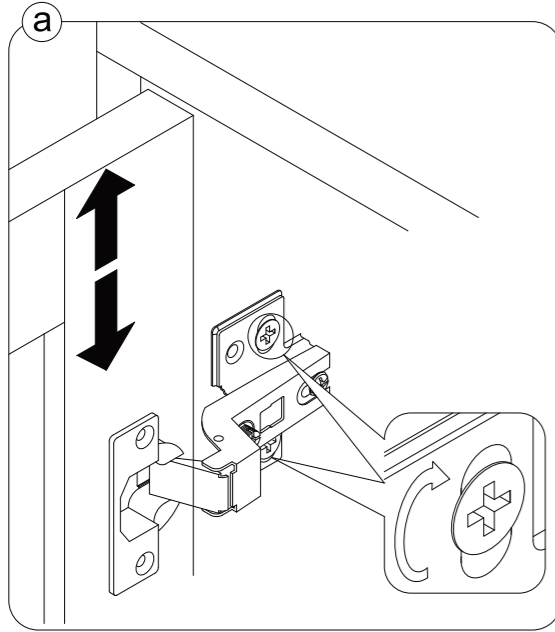
**!** When installing the outer guide rail, please use the guide rail notch to assemble towards the inner direction of the drawer. Please fix the screws according to the marked position. If the installed position is changed, adjust it side-to-side at the marked position.

**!** When installing the inner guide rail, please use the guide rail notch to assemble towards the inner direction of the drawer. Please fix the screws according to the marked position. If the installed position is changed, adjust it up and down at the marked position.

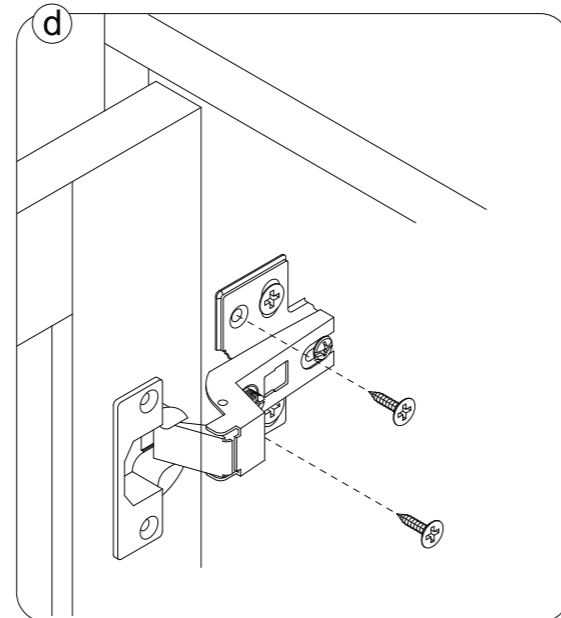
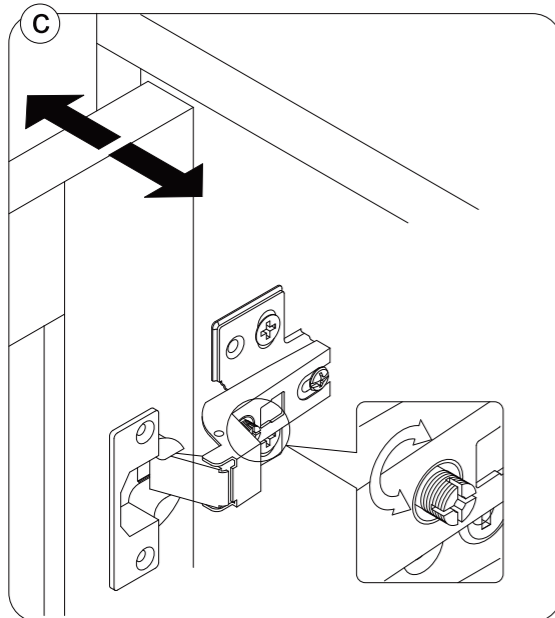
## HINGE ADJUSTMENT GUIDE

It may be necessary to adjust the hinges so that the doors align.  
Use the instructions below as a guide.

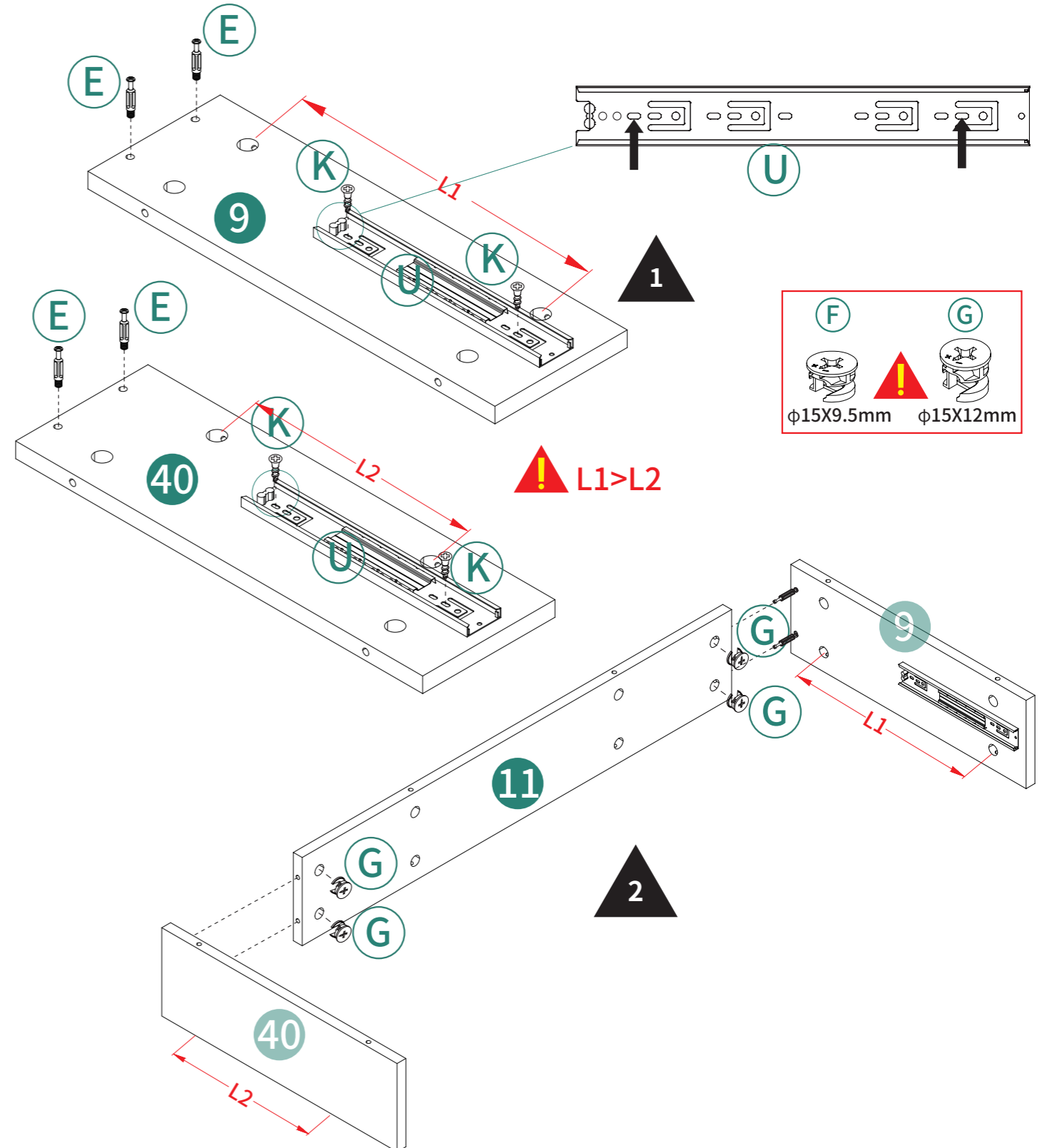
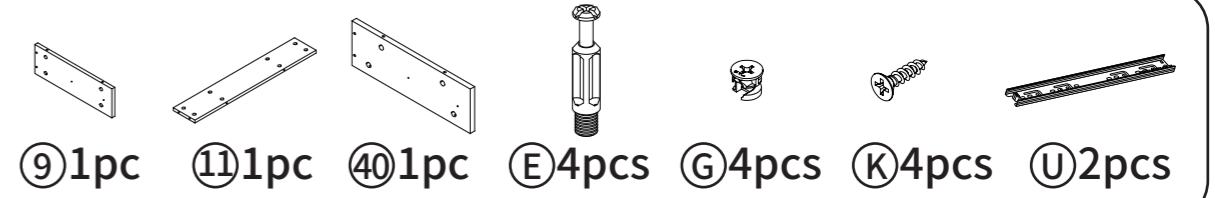
- To adjust the door vertically loosen the screw as shown and move up and down as needed.
- To adjust the gap from the door to the main frame turn the screw clockwise or anti-clockwise as needed.



- To adjust the door laterally adjust the screw as shown by turning clockwise or anti-clockwise.
- Please fix other screws.

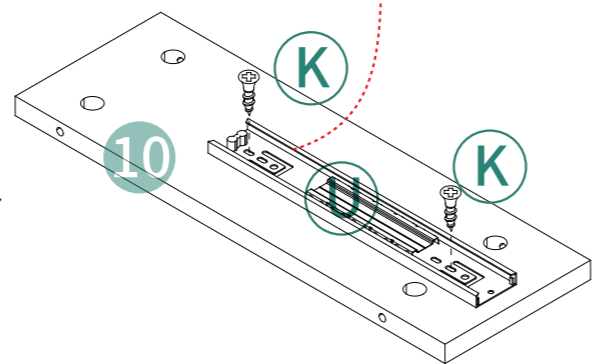
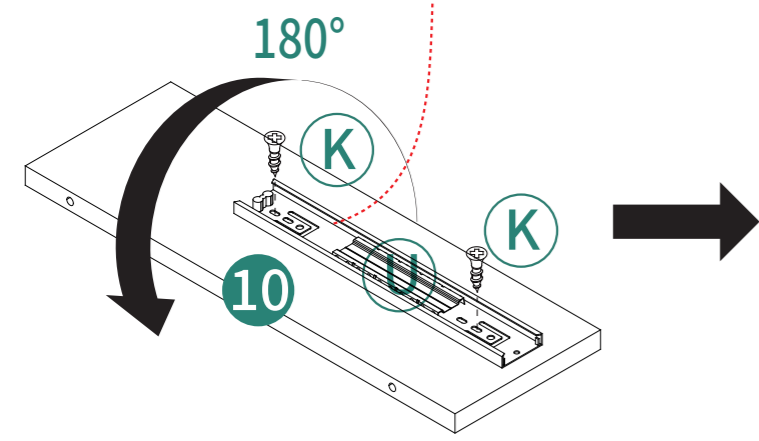
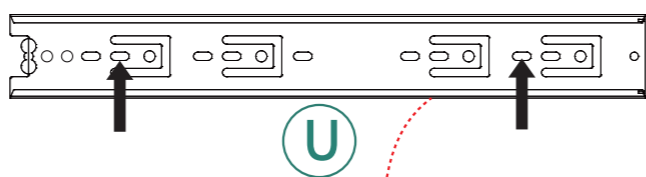
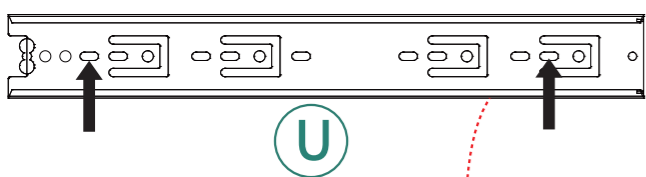
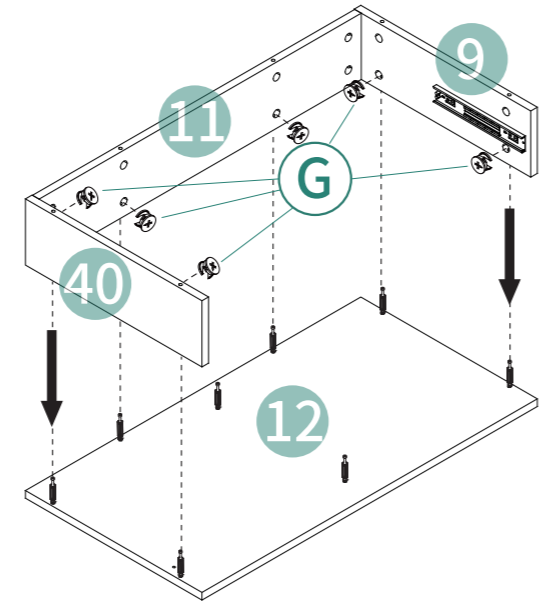
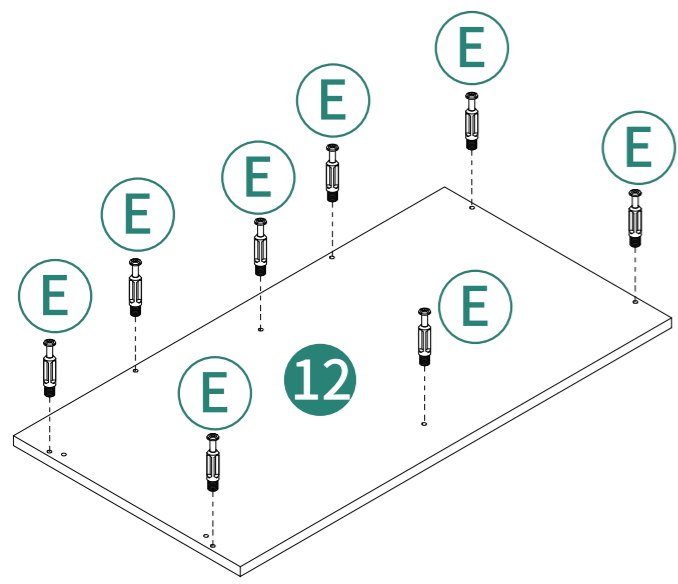


1



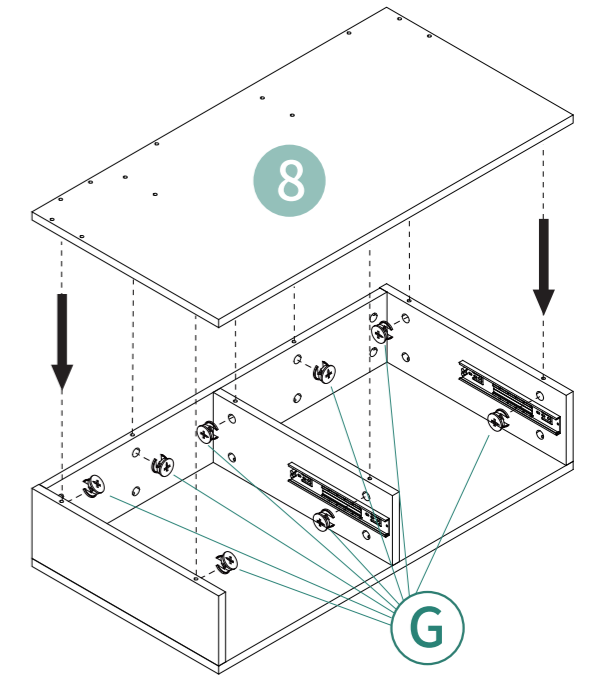
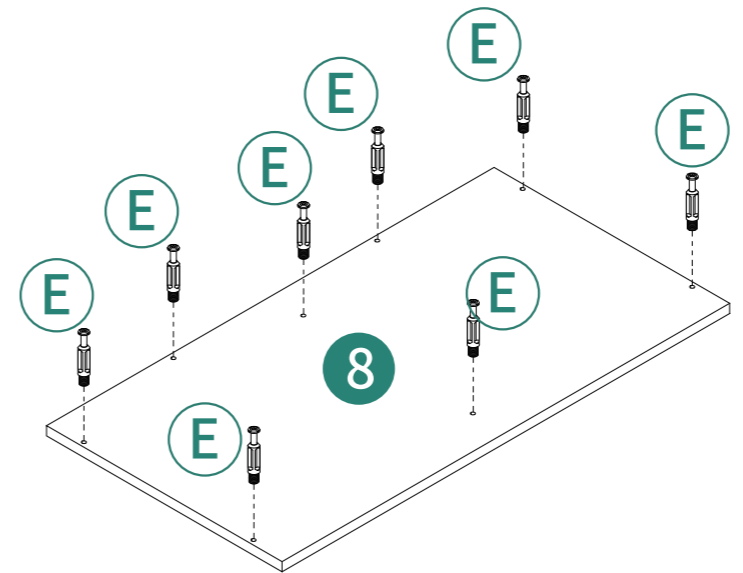
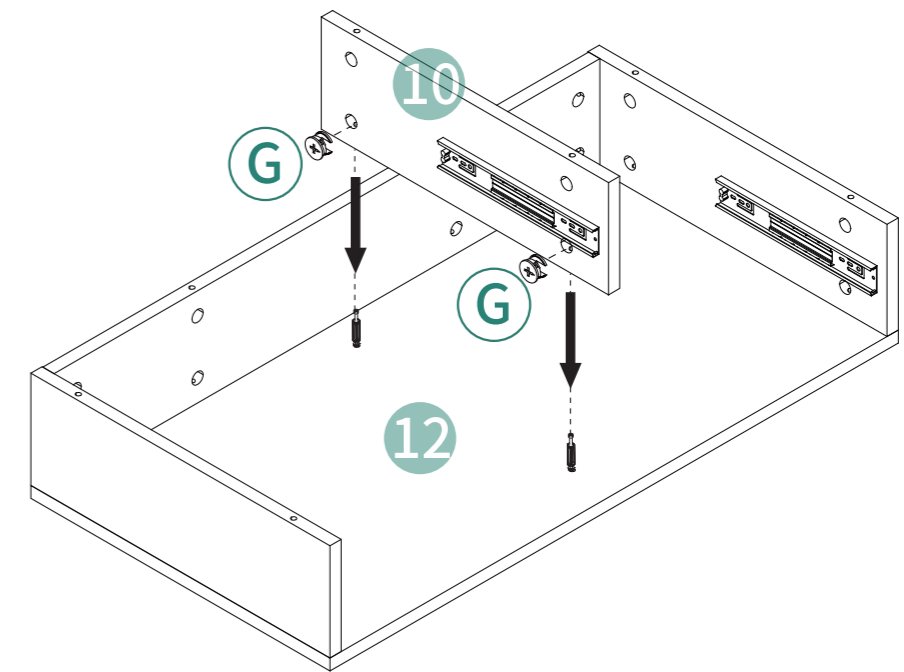
2

- ⑩ 1pc
- ⑫ 1pc
- Ⓔ 8pcs
- Ⓖ 6pcs
- Ⓚ 4pcs
- Ⓤ 2pcs

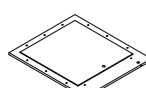

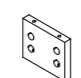
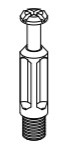



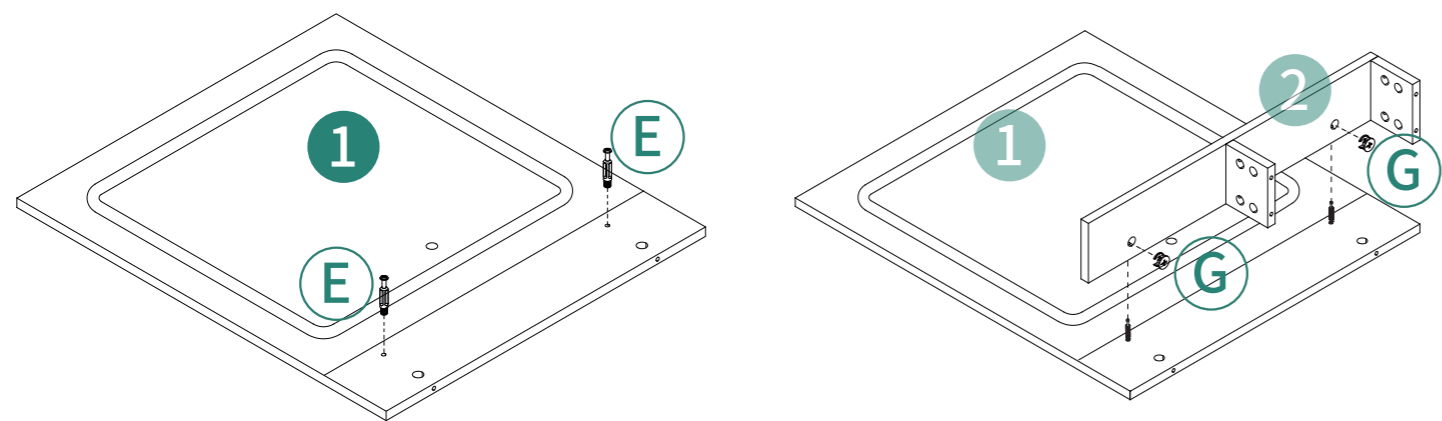
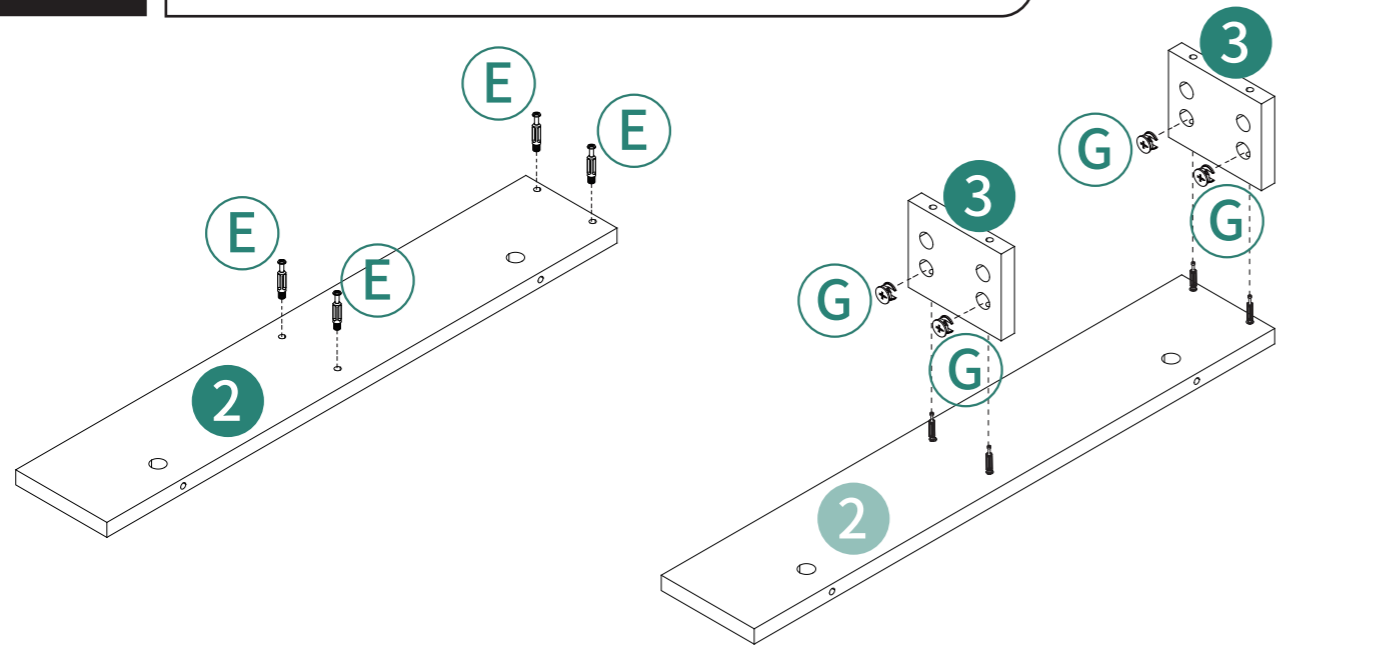
3

- ⑧ 1pc
- Ⓔ 8pcs
- Ⓖ 10pcs

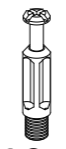



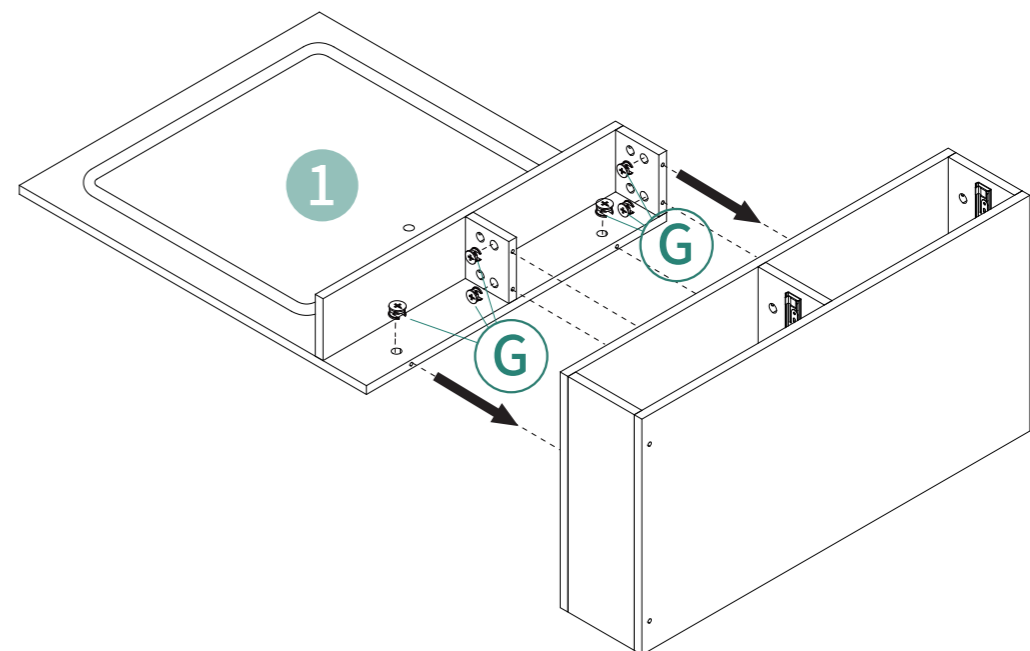
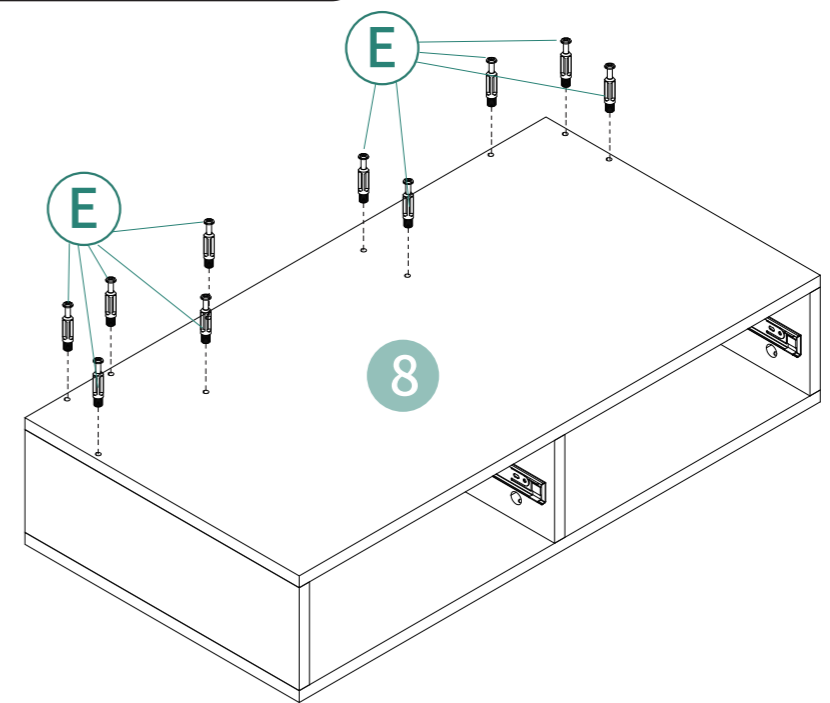
4

-  ①1pc
-  ②1pc
-  ③2pcs
-  E6pcs
-  G6pcs



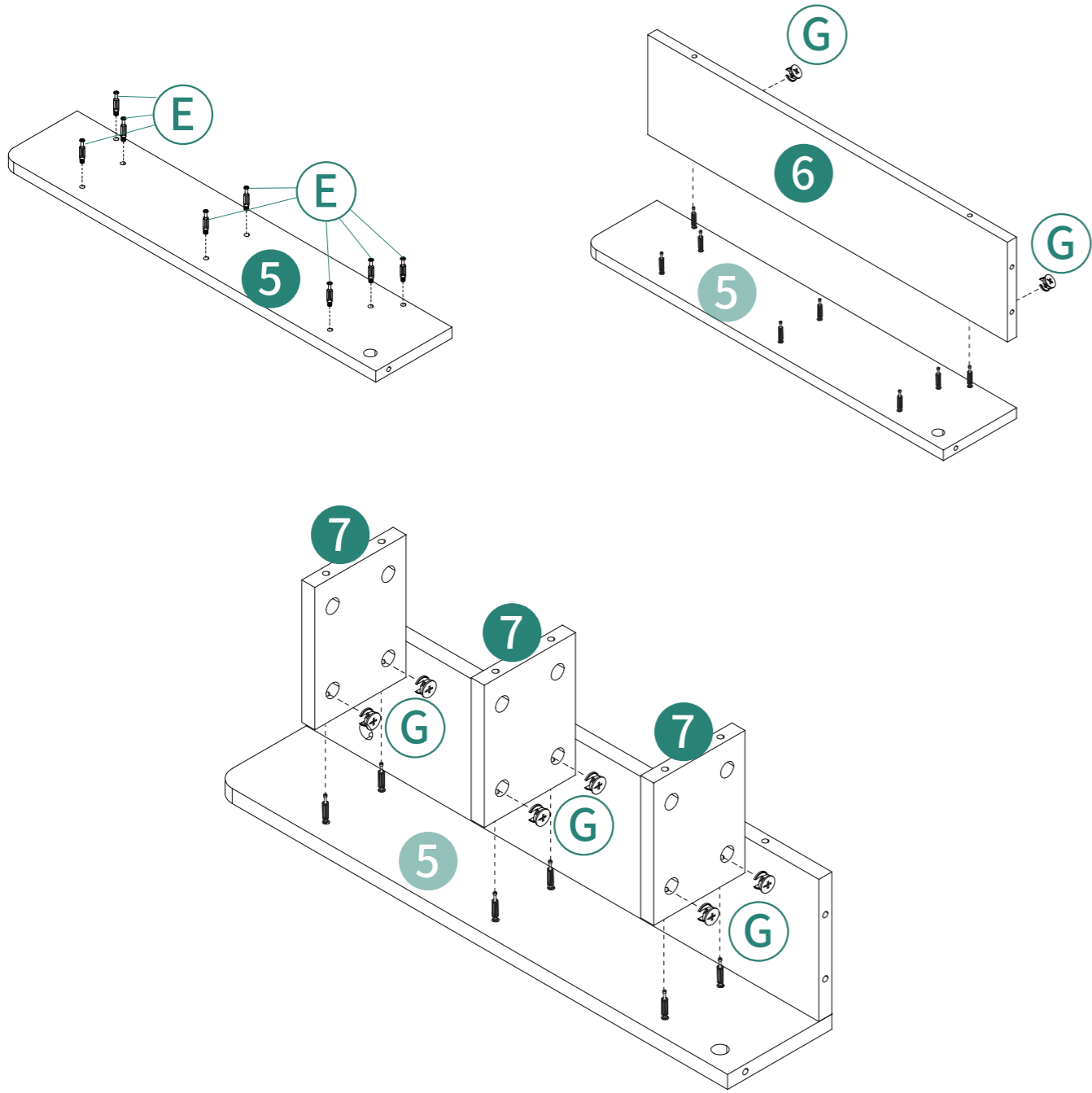
5

-  E10pcs
-  G6pcs



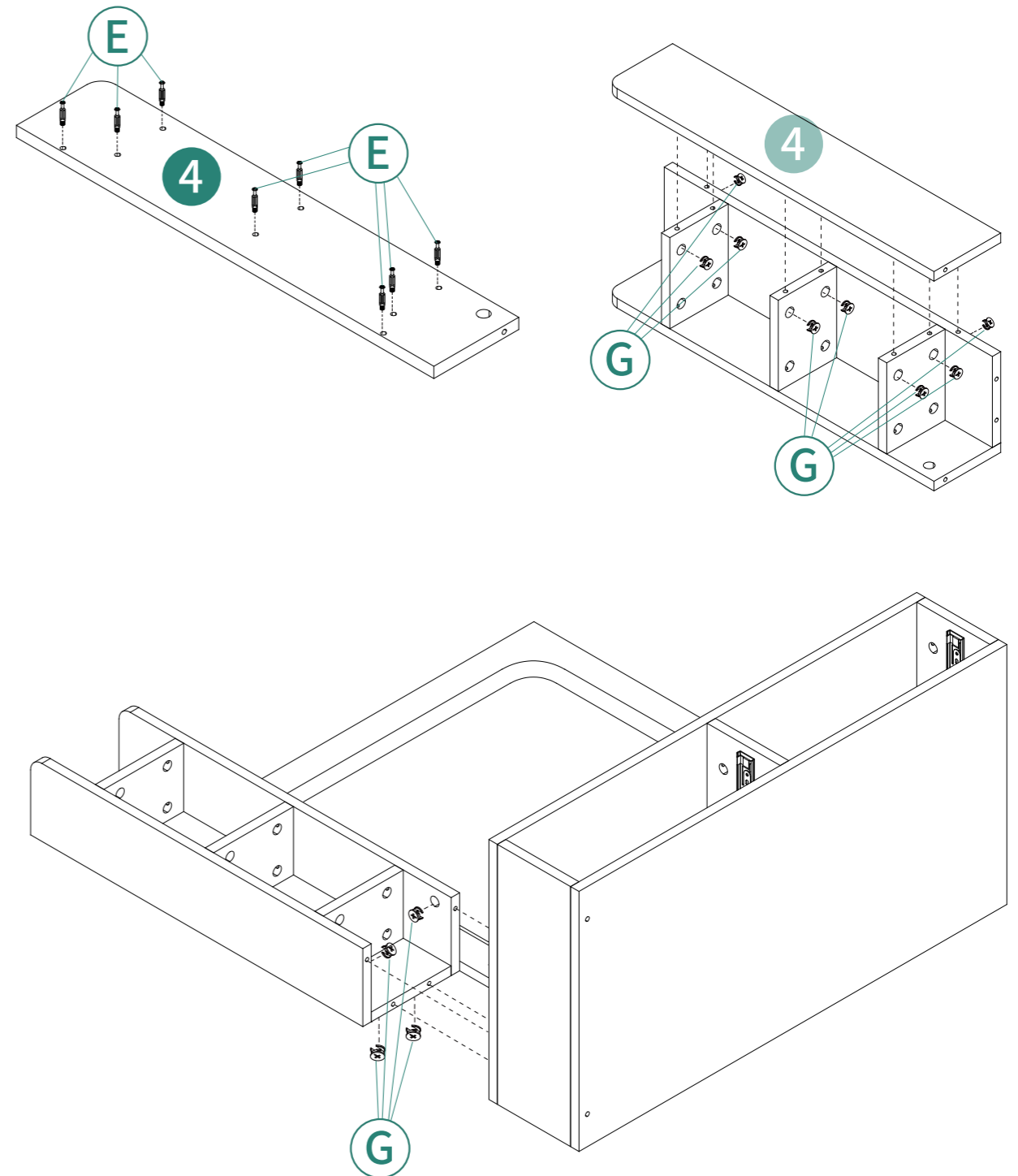
6

- ⑤ 1pc
- ⑥ 1pc
- ⑦ 3pcs
- Ⓔ 8pcs
- Ⓖ 8pcs

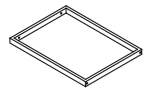


7

- ④ 1pc
- Ⓔ 8pcs
- Ⓖ 12pcs



8



13 1pc



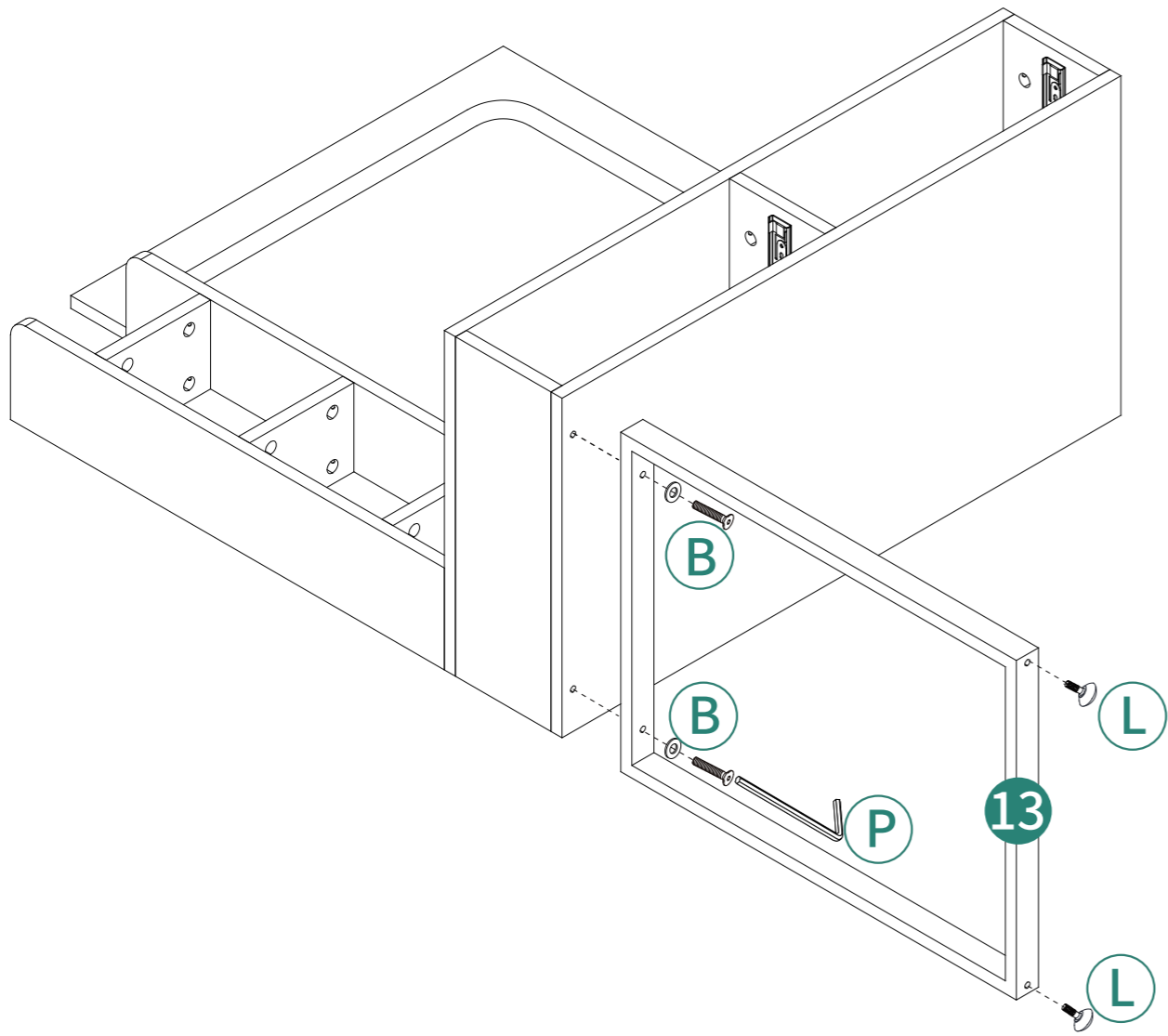
B 2pcs



L 2pcs



P 1pc



15

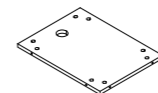
9



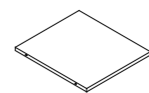
15 1pc



16 1pc



17 1pc



18 1pc



E 8pcs



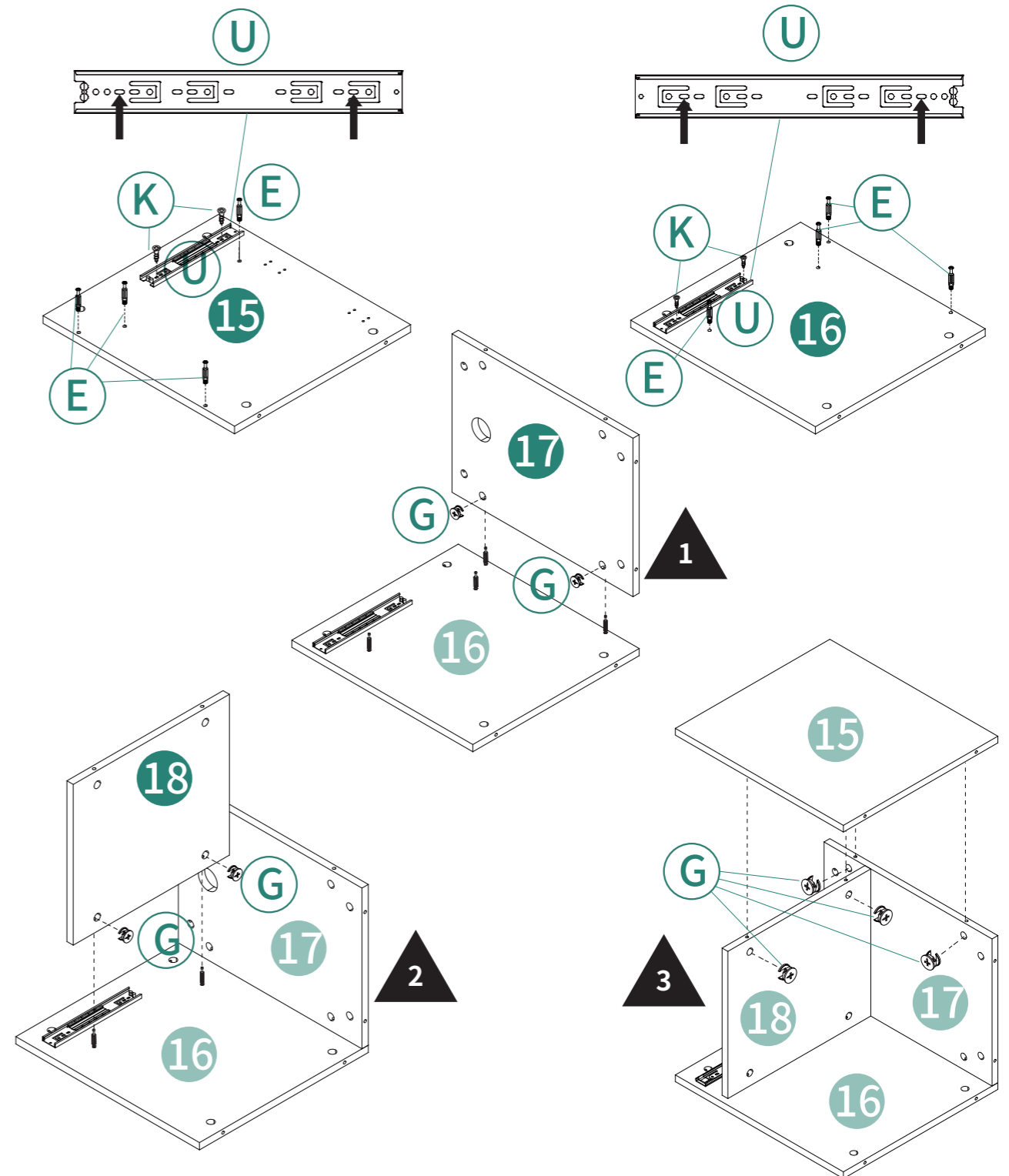
G 8pcs



K 4pcs



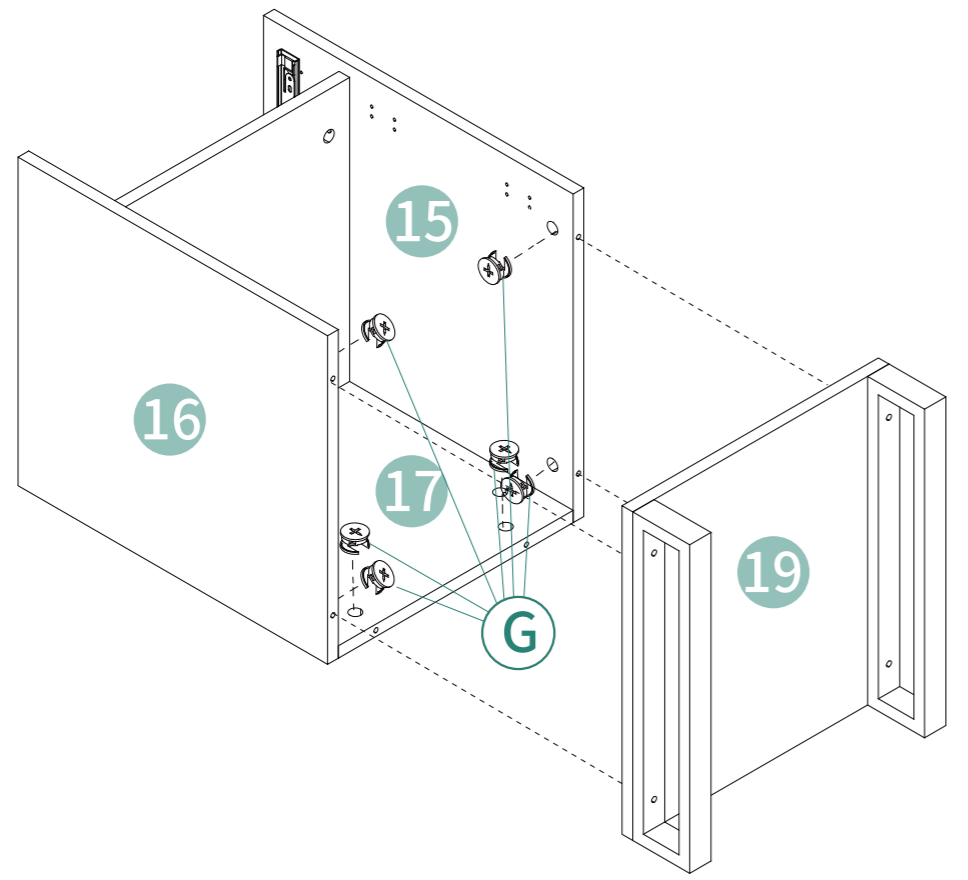
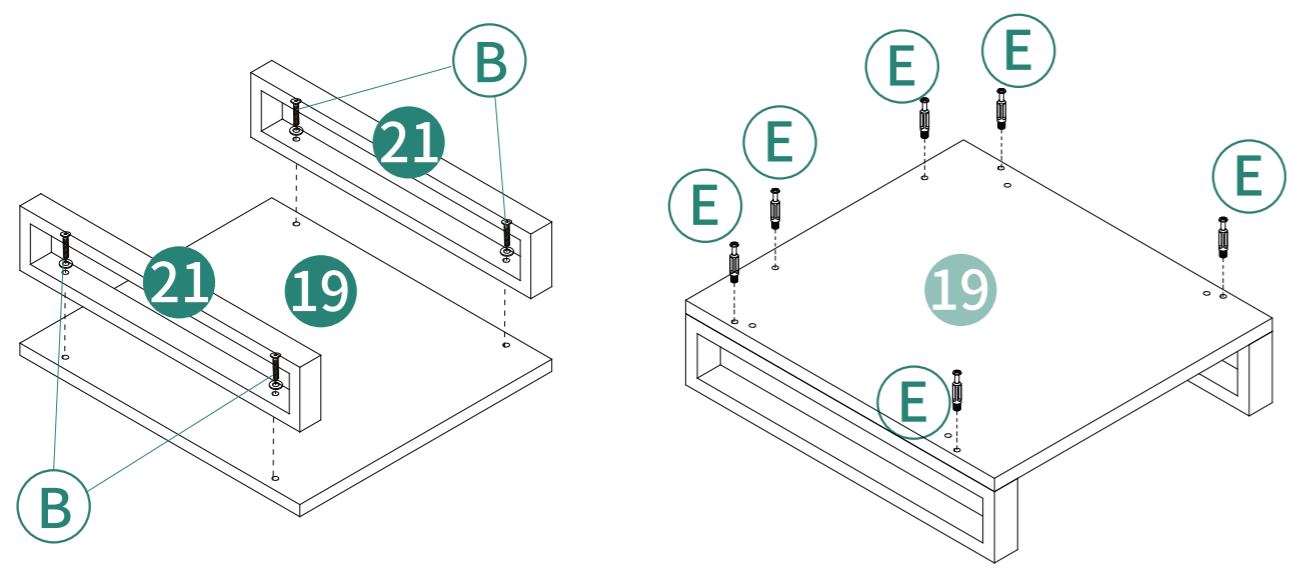
U 2pcs



16

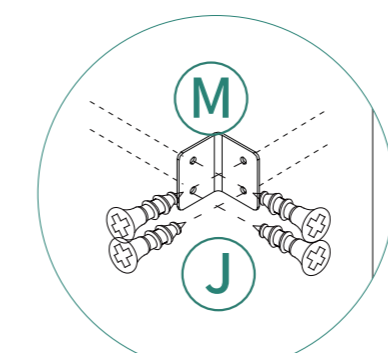
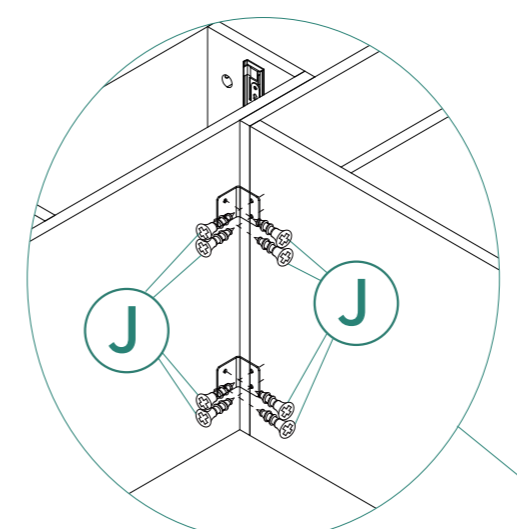
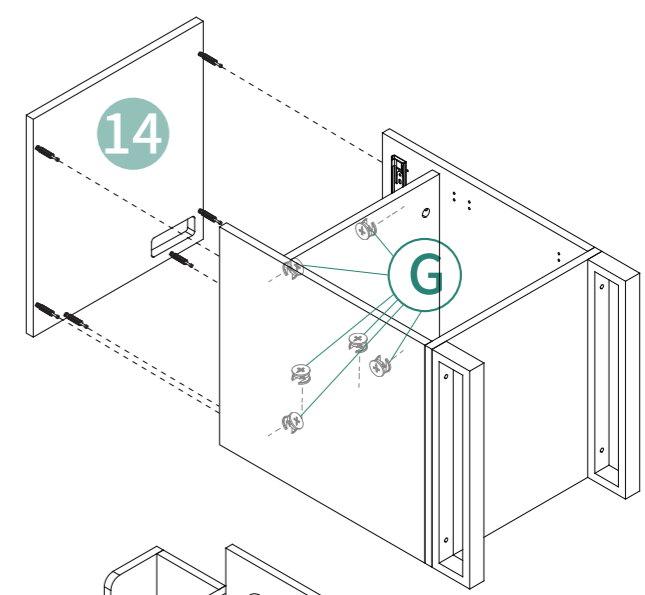
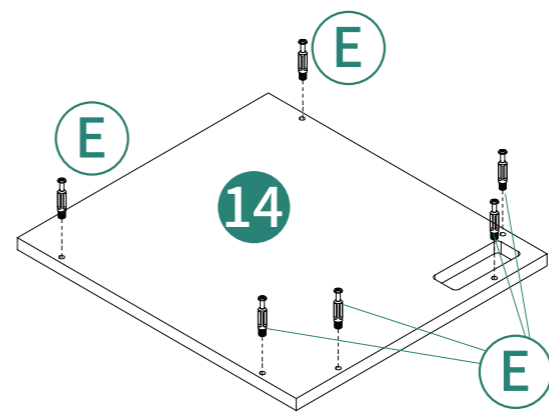
# 10

- ①9 1pc
- ②1 2pcs
- Ⓑ 4pcs
- Ⓔ 6pcs
- Ⓒ 6pcs

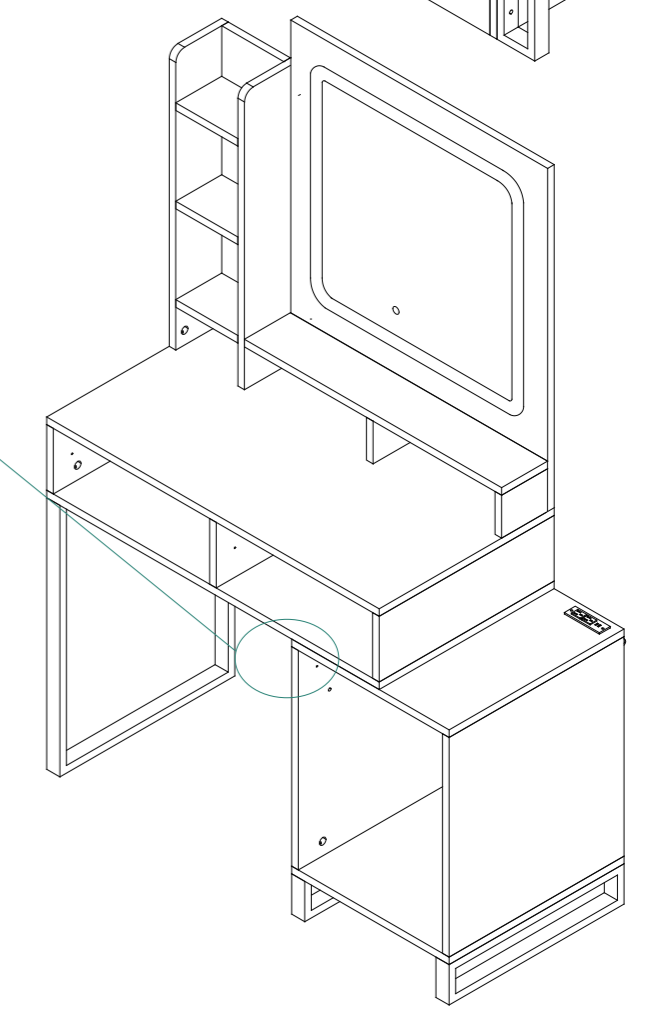


# 11

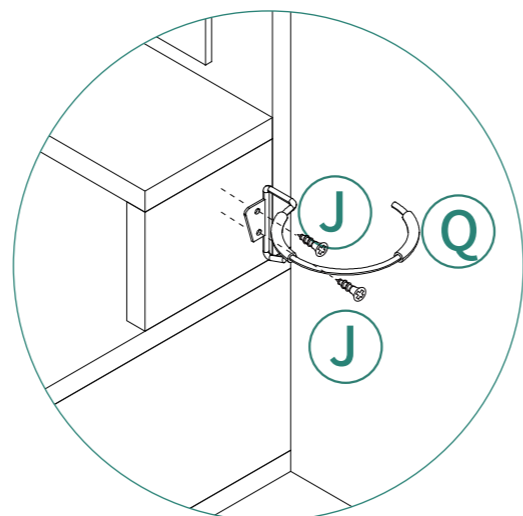
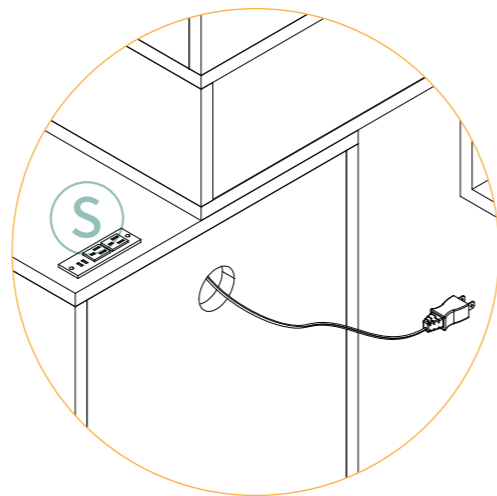
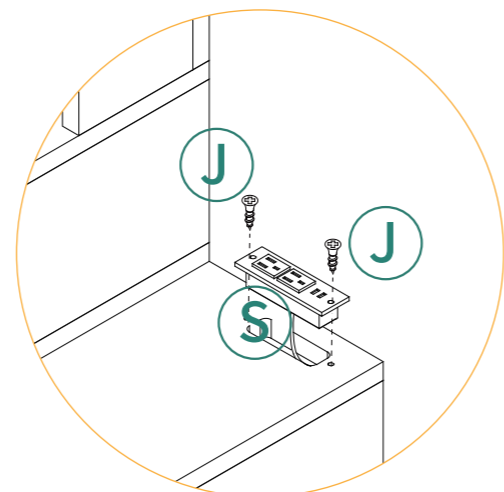
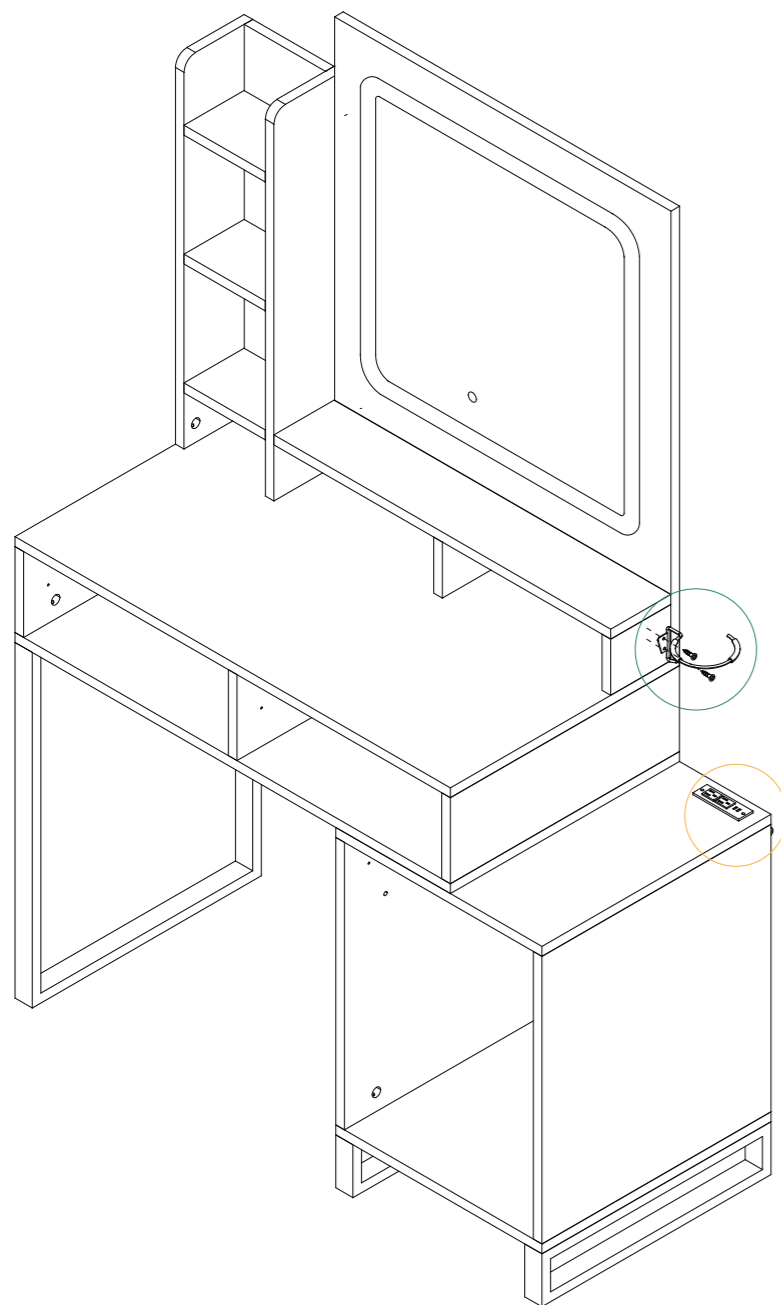
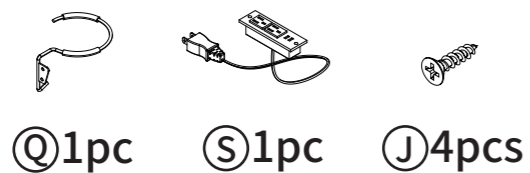
- ①4 1pc
- Ⓔ 6pcs
- Ⓒ 6pcs
- Ⓜ 2pcs
- ⓙ 8pcs



Install at a location based on your needs.

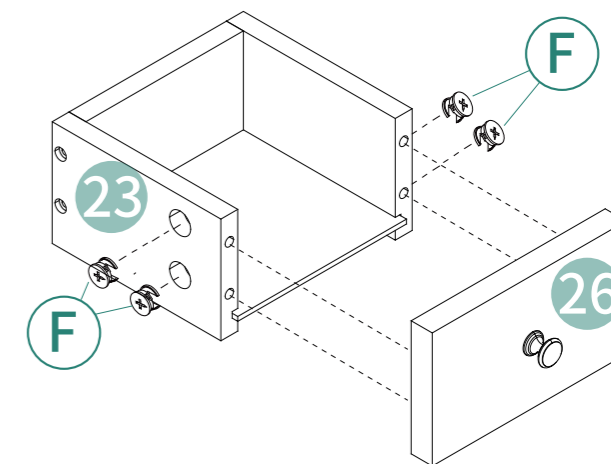
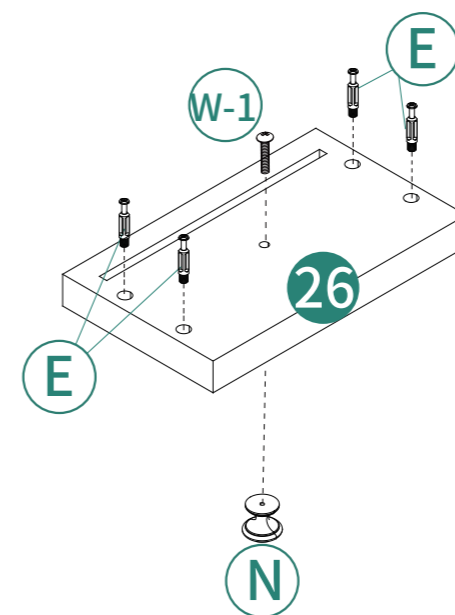
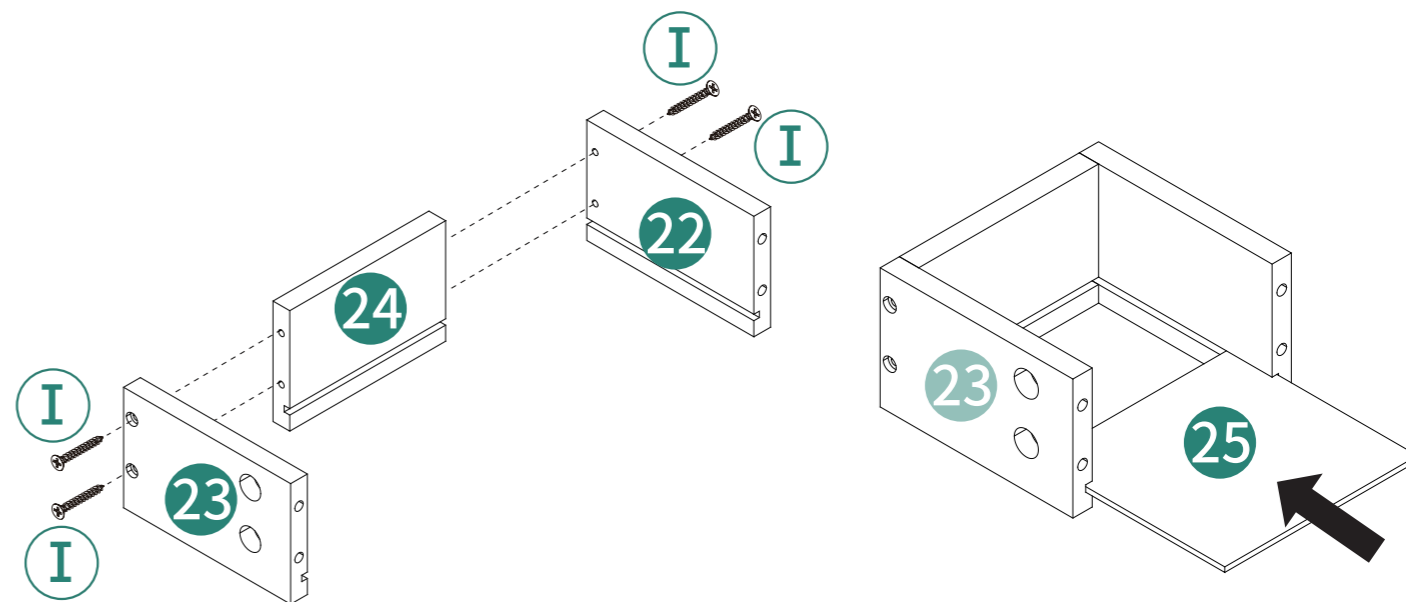
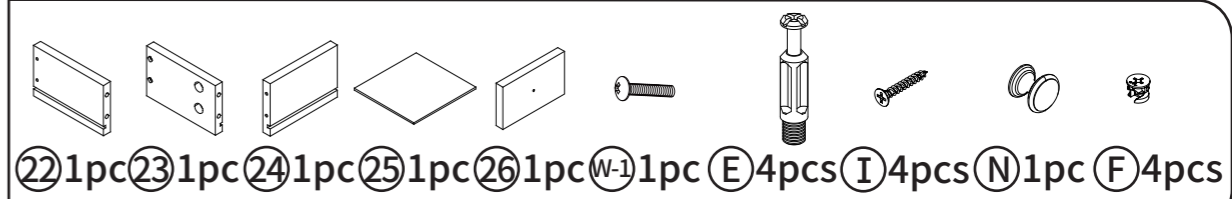


# 12

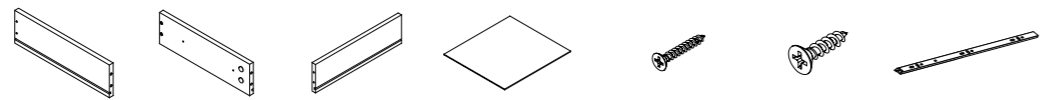


Install at a location based on your needs.

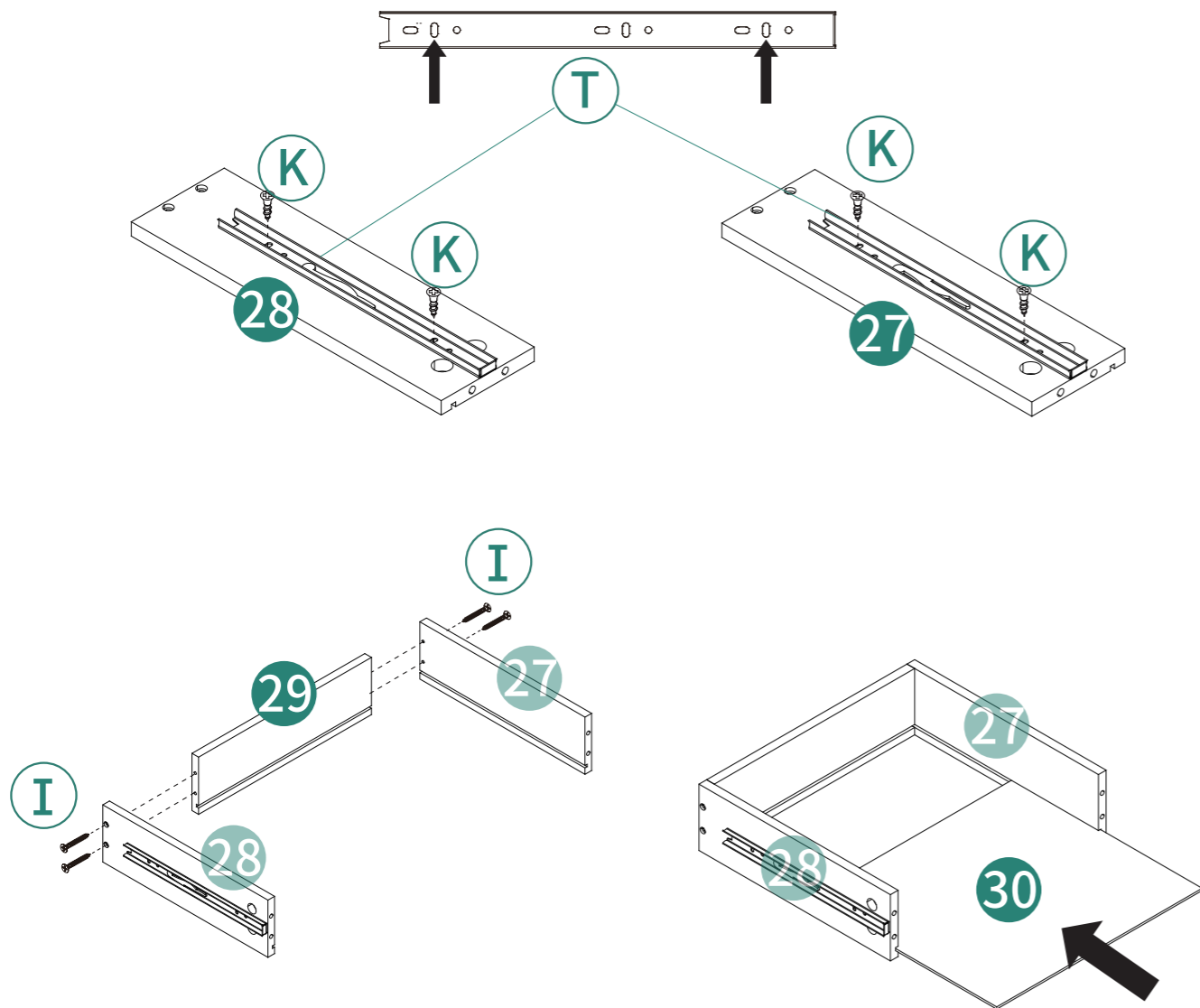
# 13



**14**  
**X2**



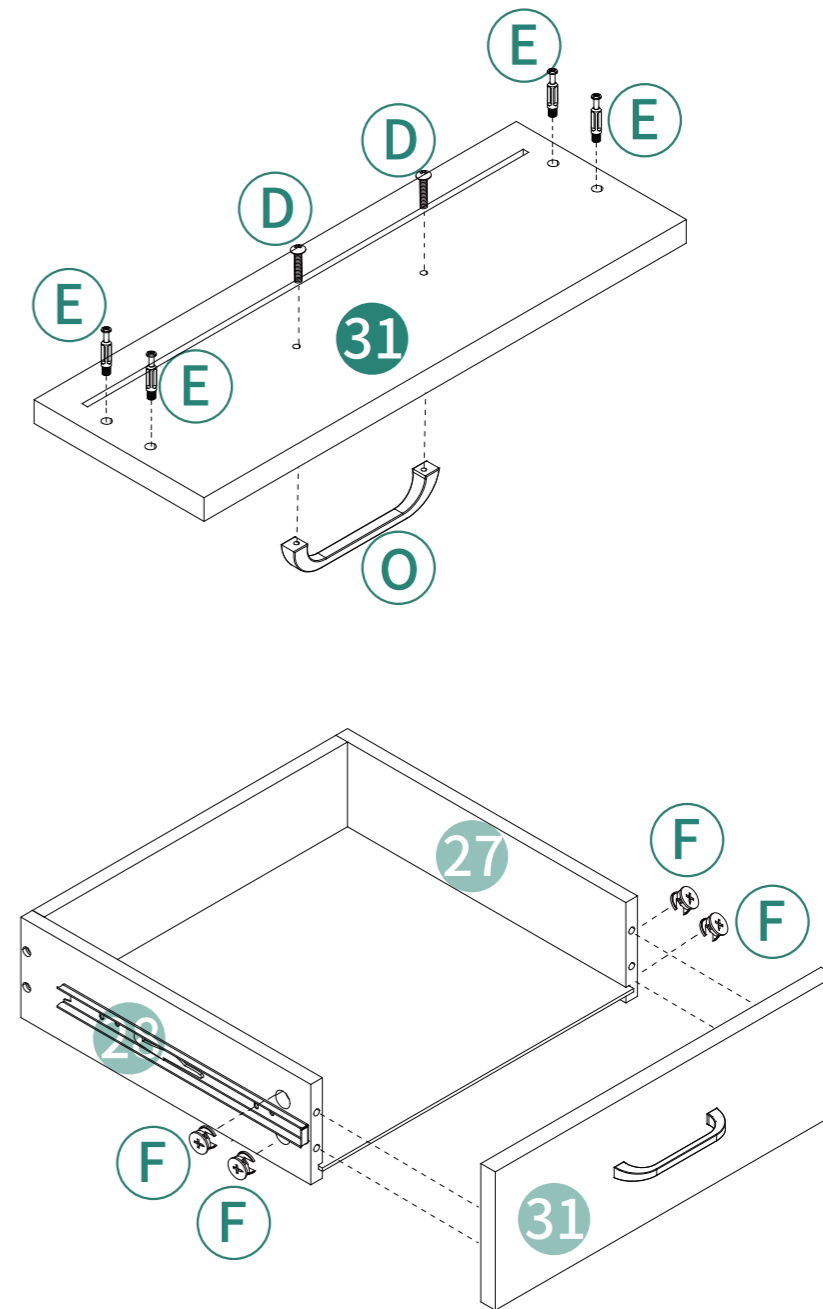
②7 2 pcs ②8 2 pcs ②9 2 pcs ③0 2 pcs I 8 pcs K 8 pcs T 4 pcs



**15**  
**X2**

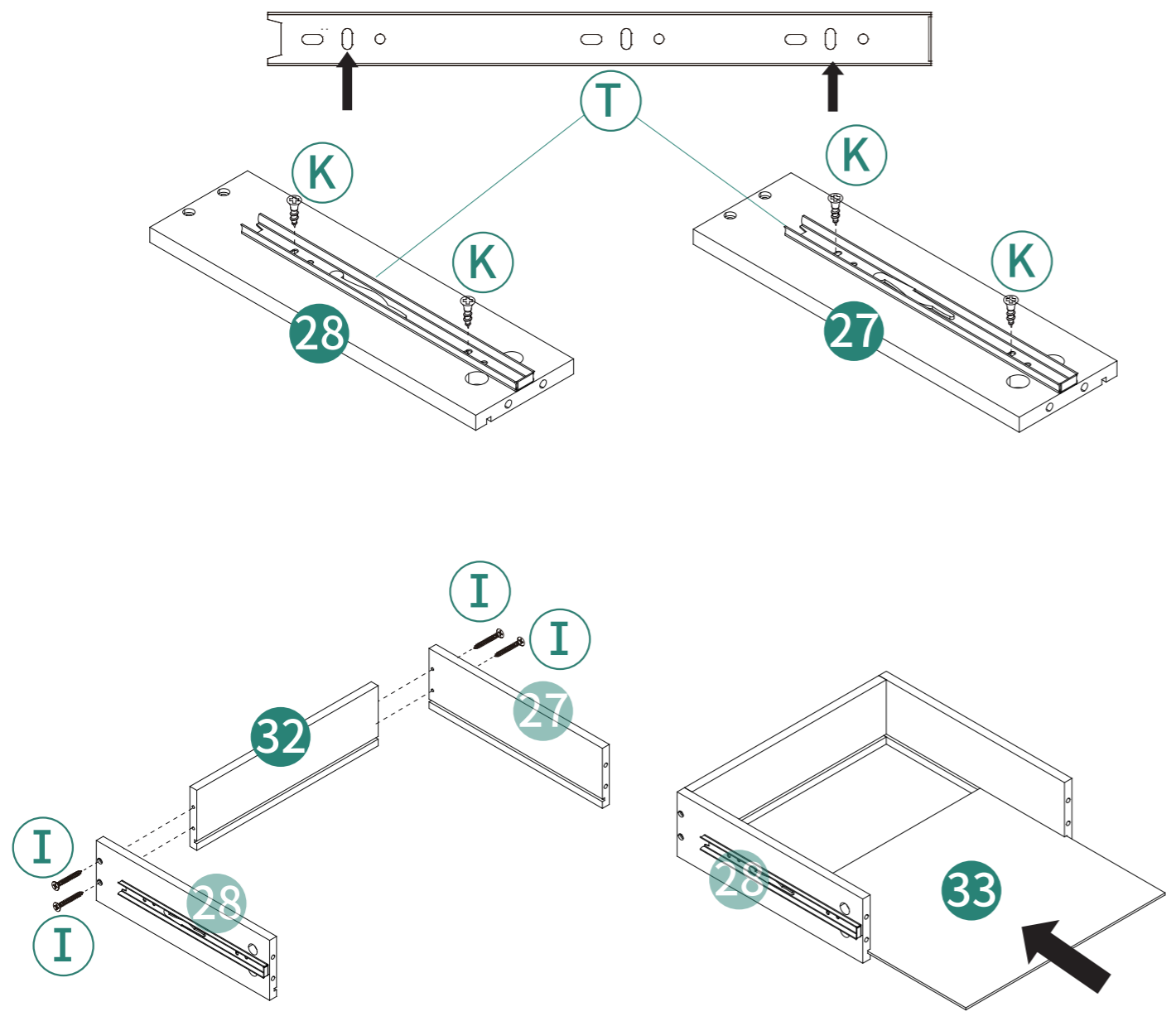


③1 2 pcs D 4 pcs E 8 pcs F 8 pcs O 2 pcs



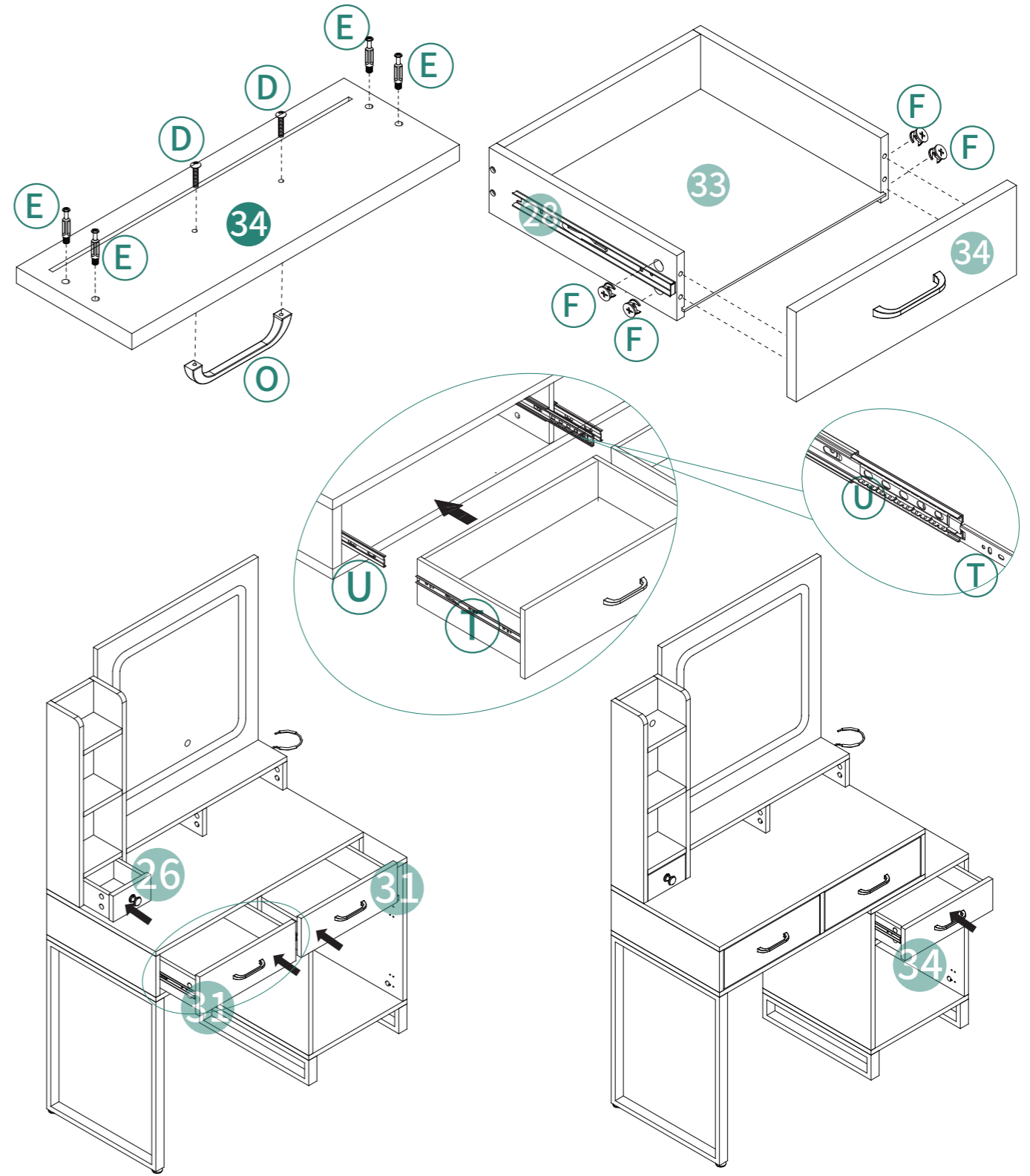
# 16

-  27 1pc
-  28 1pc
-  32 1pc
-  33 1pc
-  I 4pcs
-  K 4pcs
-  T 2pcs

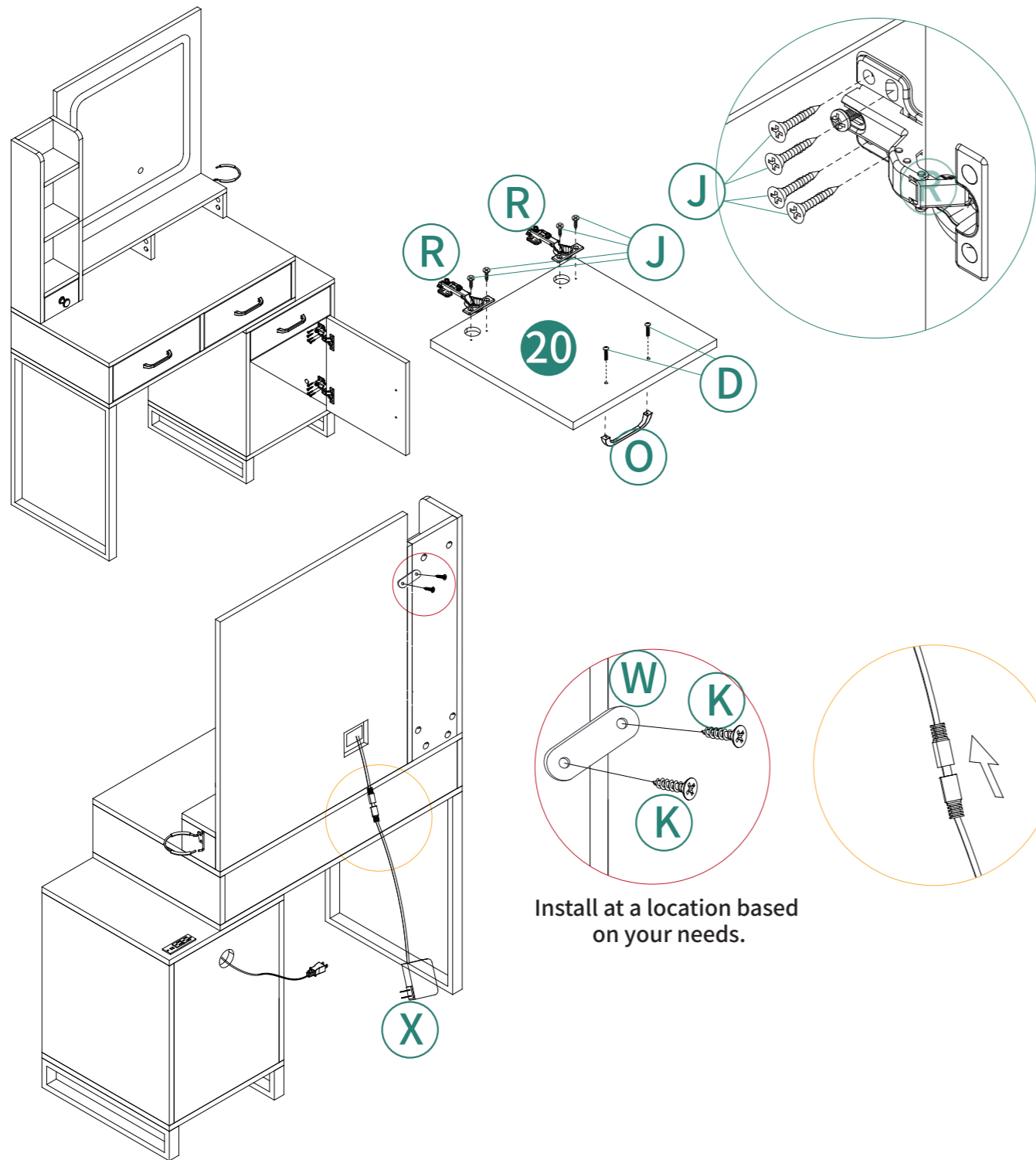
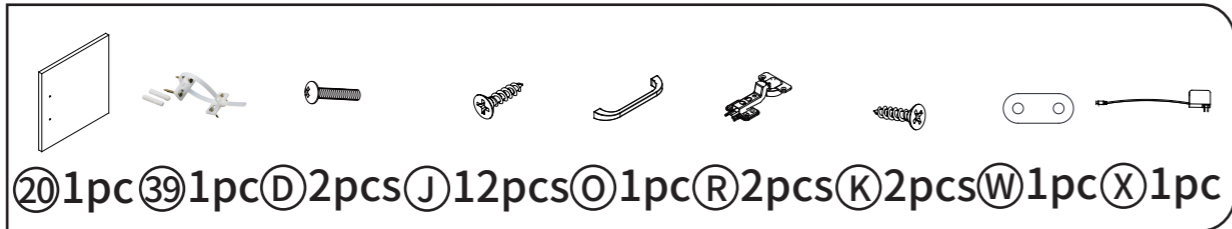


# 17

-  34 1pc
-  D 2pcs
-  E 4pcs
-  F 4pcs
-  O 1pc

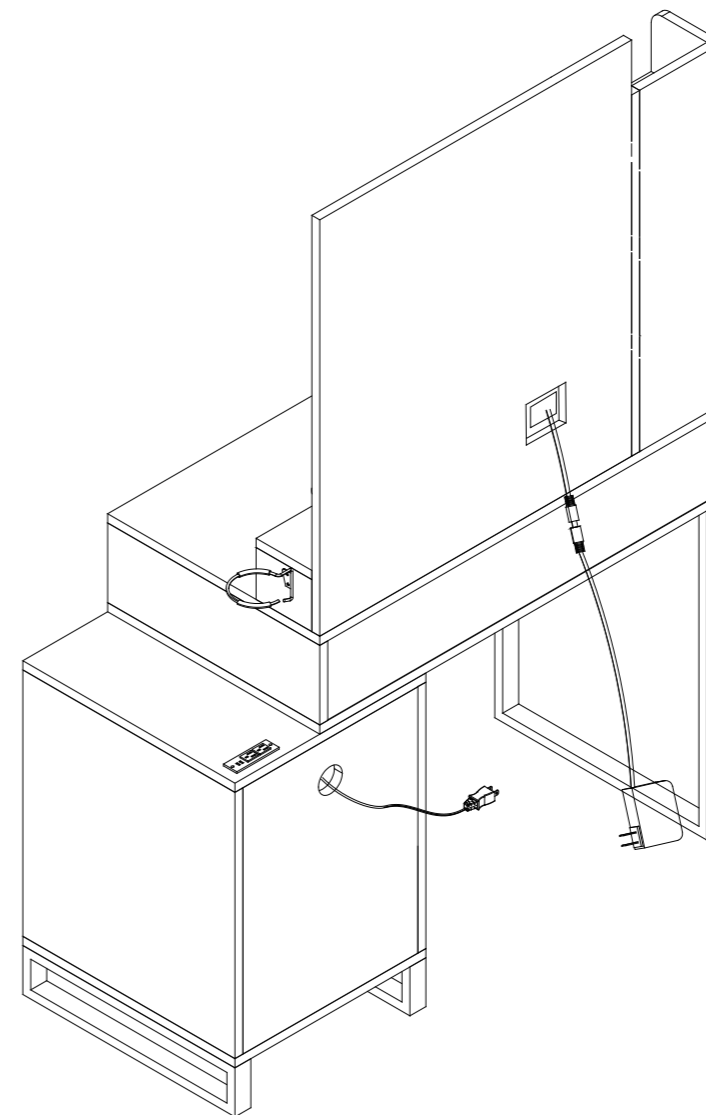


# 18



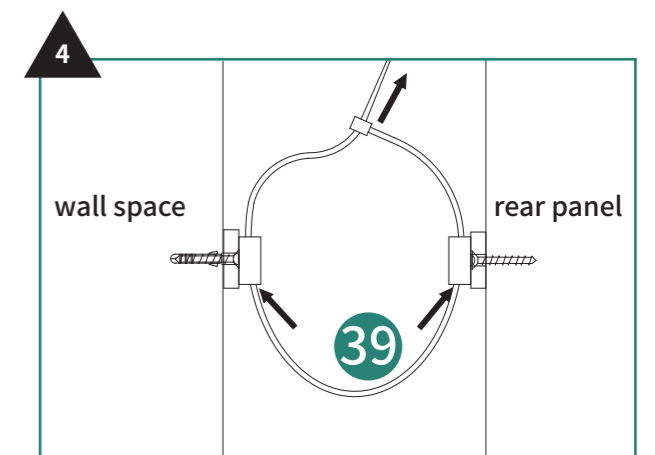
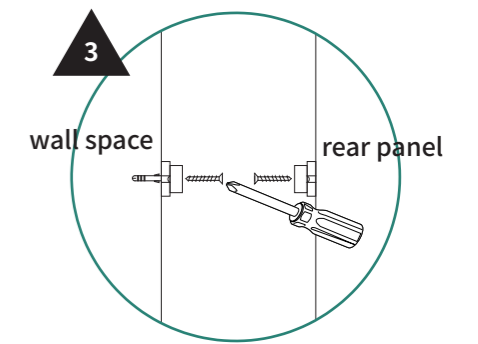
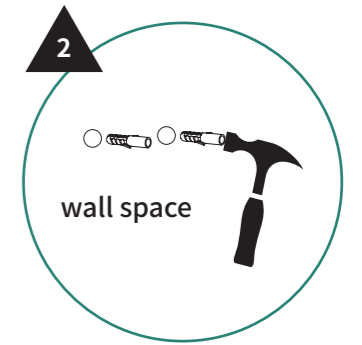
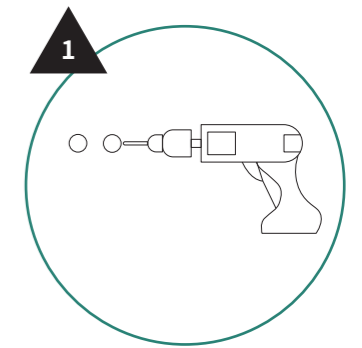
Install at a location based on your needs.

# 19

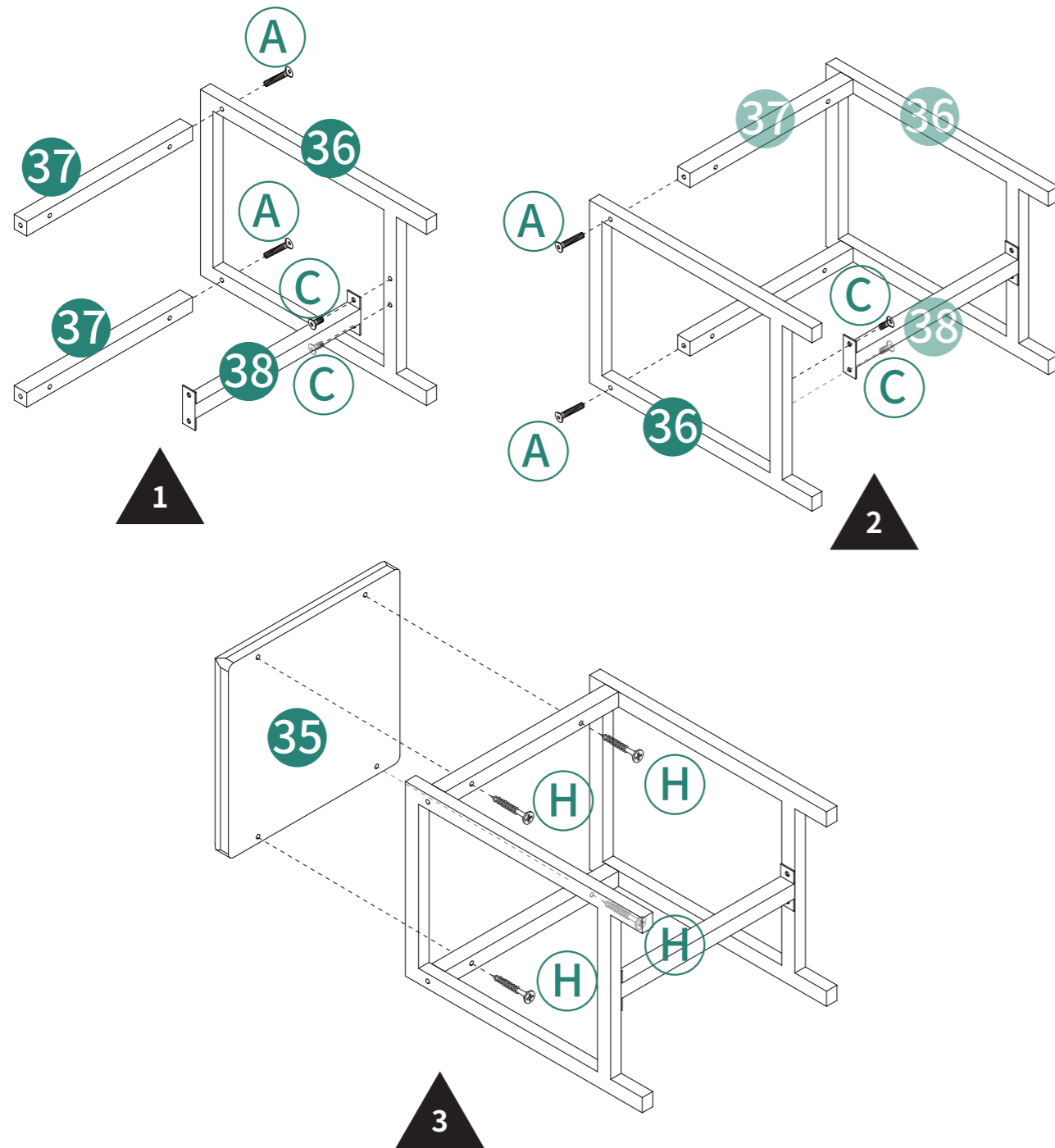
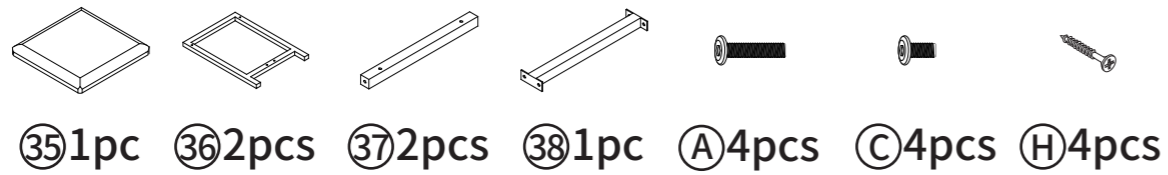


⚠ After the cabinet assembly, please install the wall fixing device on the back of the cabinet to avoid accidents.

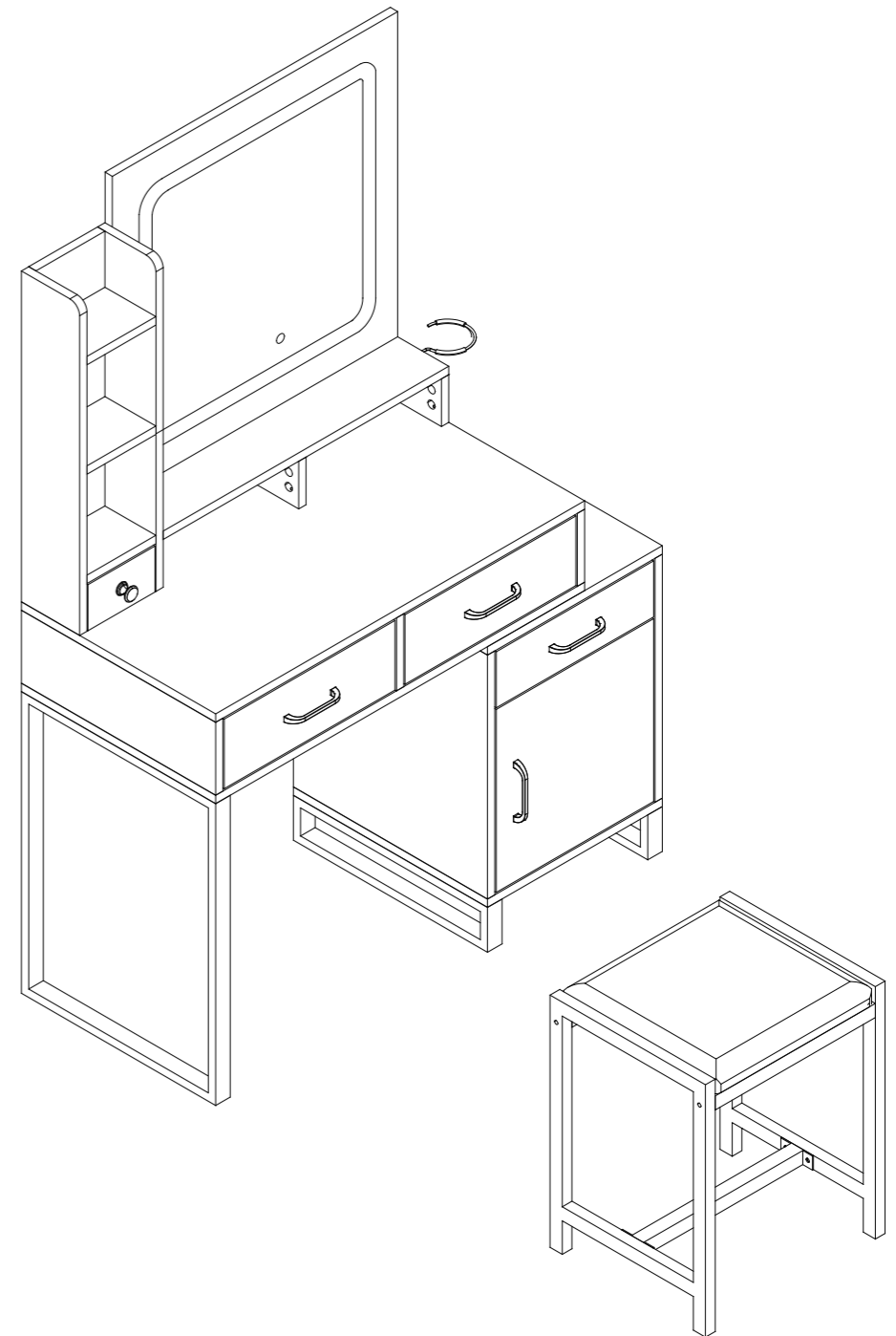
Install at a location based on your needs.



20



21



Installation Completed