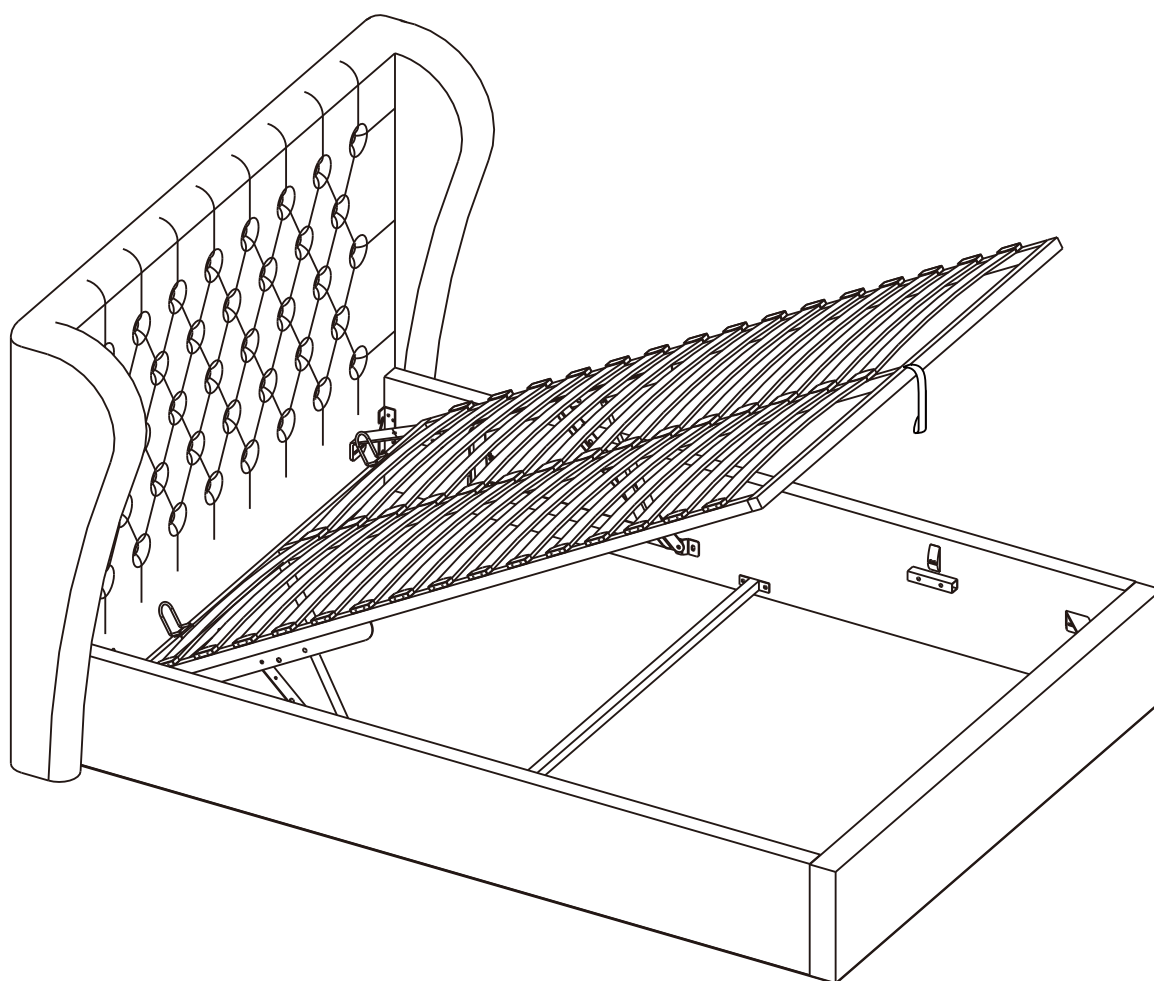


OTTOMAN KING BED

BED— Instruction manual



CONTENTS

Safety and care advice	1
Components – panels	2
Components – fittings	3
Assembly instructions	4
Copyright	14

⚠ SAFETY AND CARE ADVICE ⚠

PLEASE READ THESE INSTRUCTIONS CAREFULLY AND KEEP FOR FUTURE REFERENCE

- **Warning:** This unit weighs approximately 68.2kgs. Please lift with care.
- Check you have all the components and tools listed on pages 2 and 3.
- Remove all fittings from the plastic bags and separate them into their groups.
- Keep children and animals away from the work area, small parts could choke if swallowed.
- Make sure you have enough space to layout the parts before starting.
- Do not stand or put weight on the product, this could cause damage.
- Assemble the item as close to its final position (in the same room) as possible.
- Assemble on a soft level surface to avoid damaging the unit or your floor (use opened out unit carton).



- We do not recommend the use of power drill/drivers **for inserting screws**, as this could damage the unit. Only use hand screwdrivers.
- Dispose of all packaging carefully and responsibly.

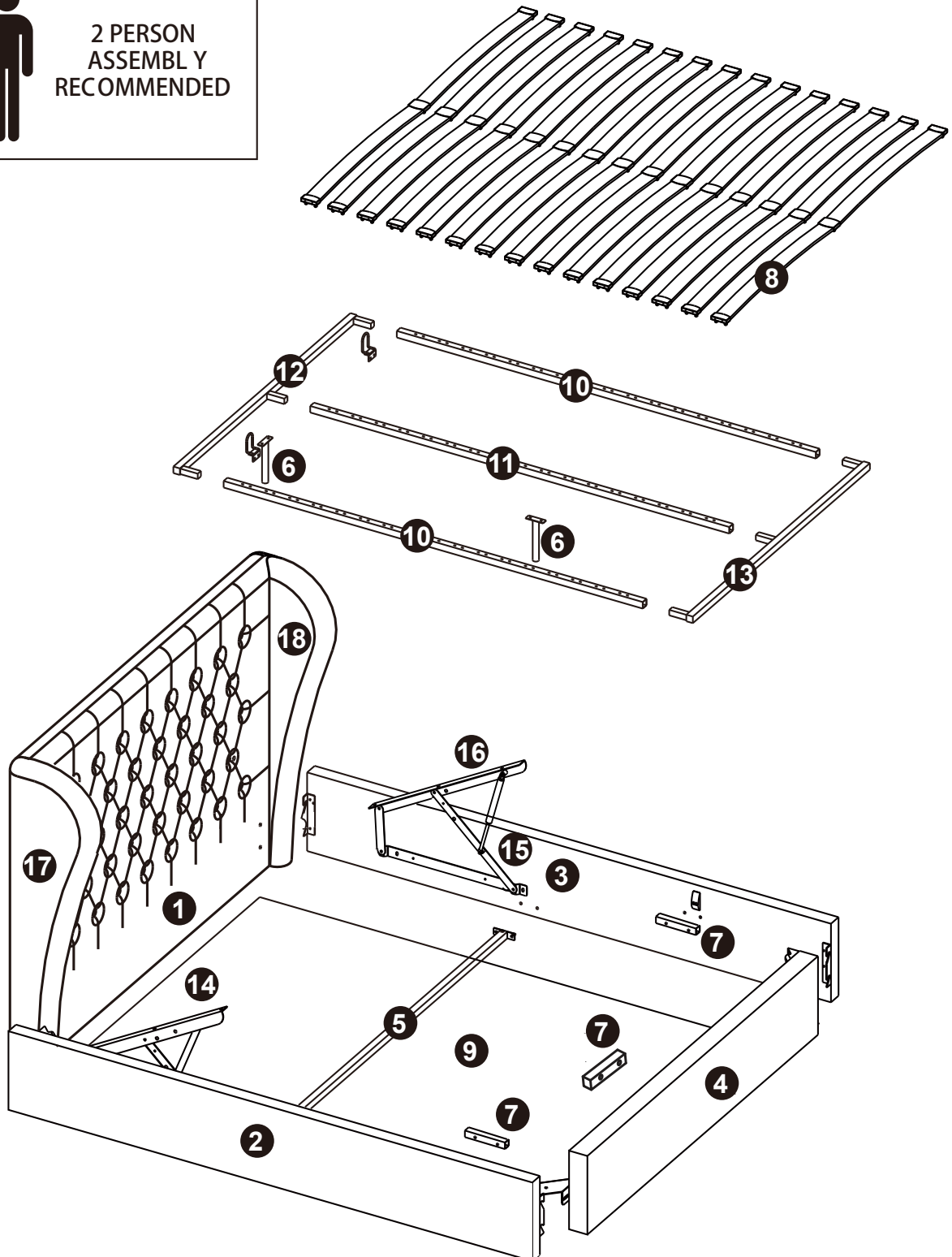
CARE AND MAINTENANCE

- Only clean using a damp cloth and mild detergent, do not use bleach or abrasive cleaners.
- From time to time check that there are no loose screws on this unit.
- This product should not be discarded with household waste. Take to your local authority waste disposal center.
















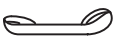
Note: If required the next page can be cut out and used as reference throughout the assembly. Keep this page with these instructions for future reference.

COMPONENTS - PANELS

Ensure the following components are in the box before proceeding with assembly:



COMPONENTS - FITTINGS

A x 20		M8x25mm
B x 6		M8x45mm
C x 4		M6x15mm
D x 24		M6x20mm
E x 7		M6x45mm
F x 8		M8x16mm
G x 48		∅18x1.0 M8
H x 2		
I x 1		14# M8 Nut Spanner
J x 30		Side Plastic Cap
K x 15		Center Plastic Cap
L x 4		M8 Nut
M x 1		S-4 Allen Key
N x 1		S-5 Allen Key
O x 2		
P x 1		

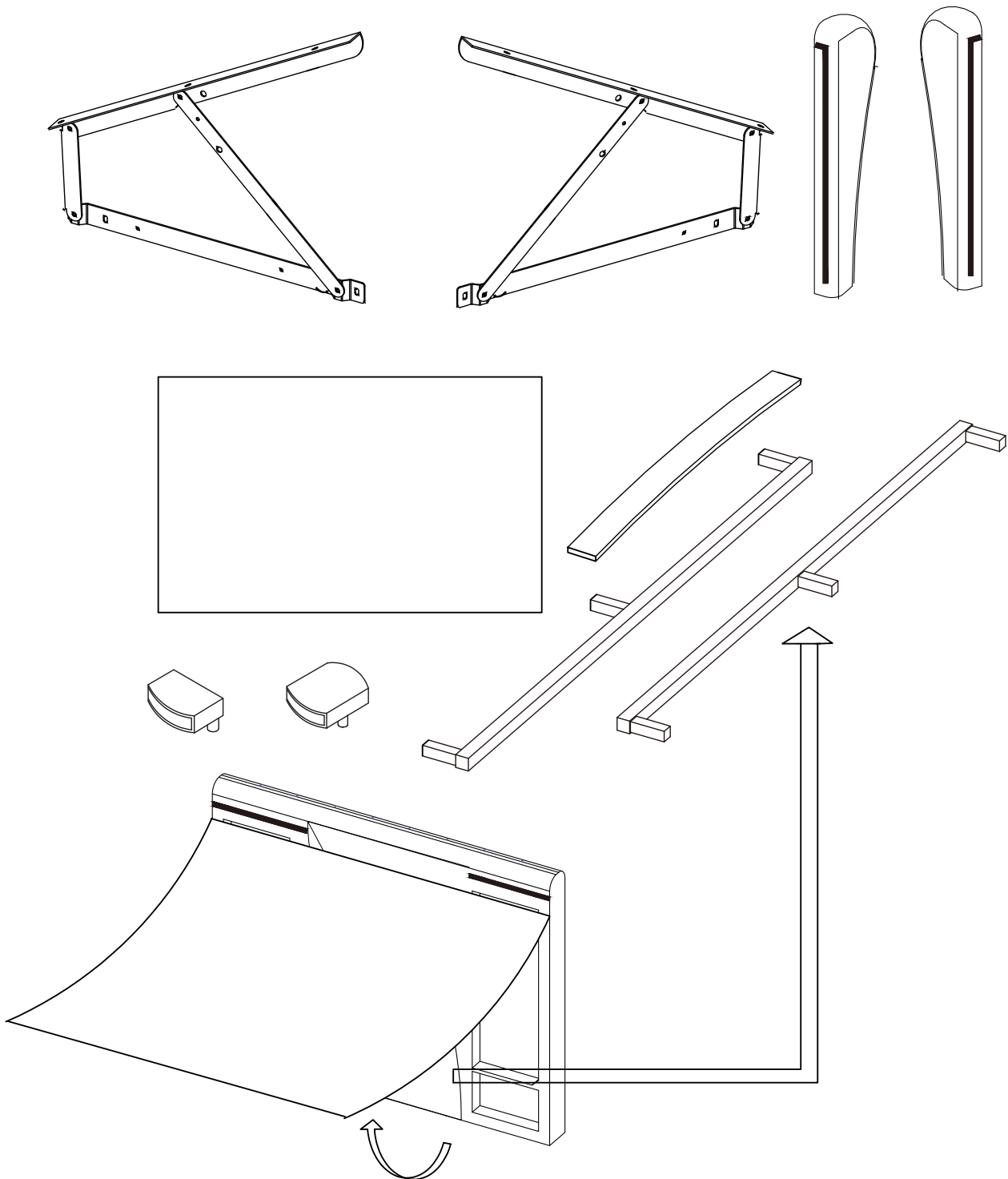
TOOLS NEEDED
(We don't provide)

Phillips Screwdriver x 1



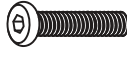


ASSEMBLY INSTRUCTIONS

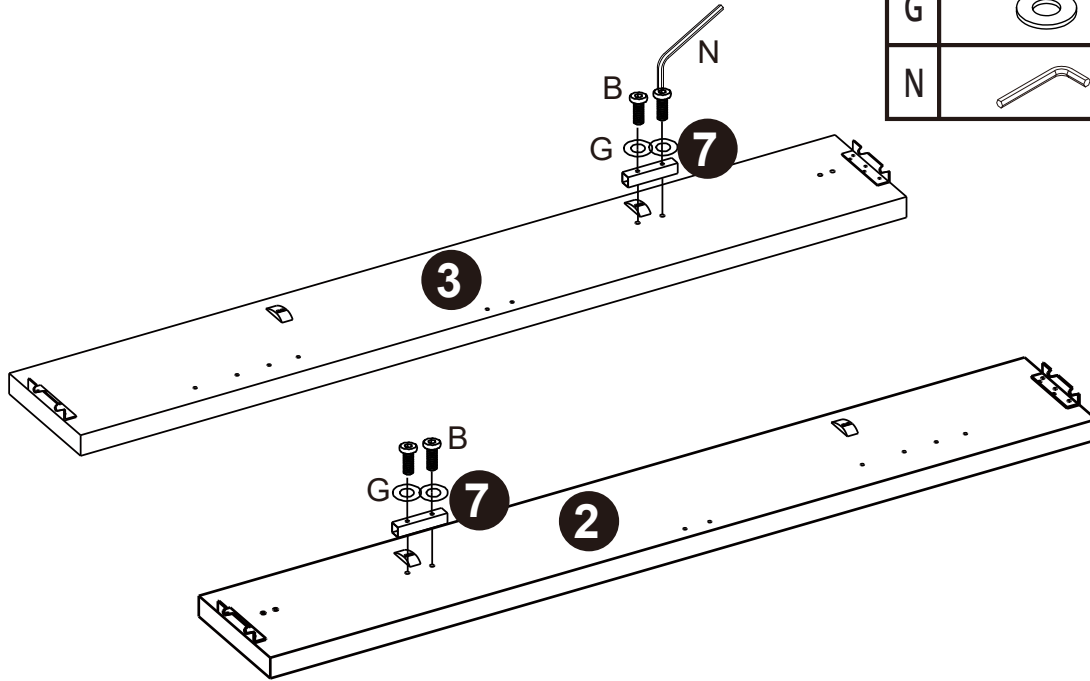
Some components are stored in the headboard backward. Please open non-woven fabric and take out components.



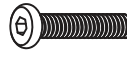




ASSEMBLY INSTRUCTIONS

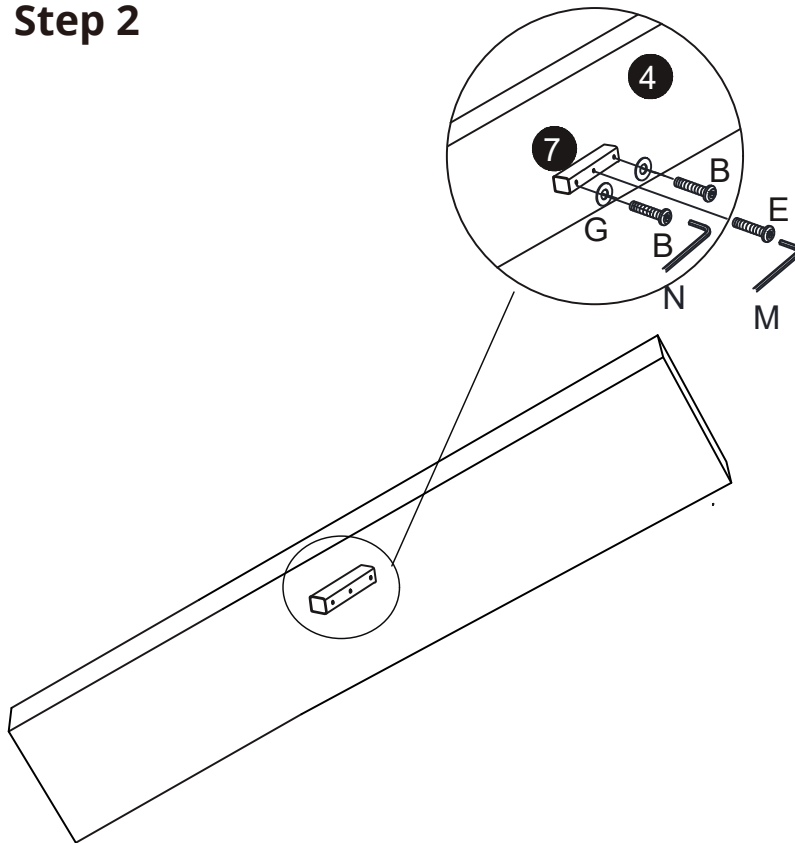
Step 1

B		4
G		4
N		1



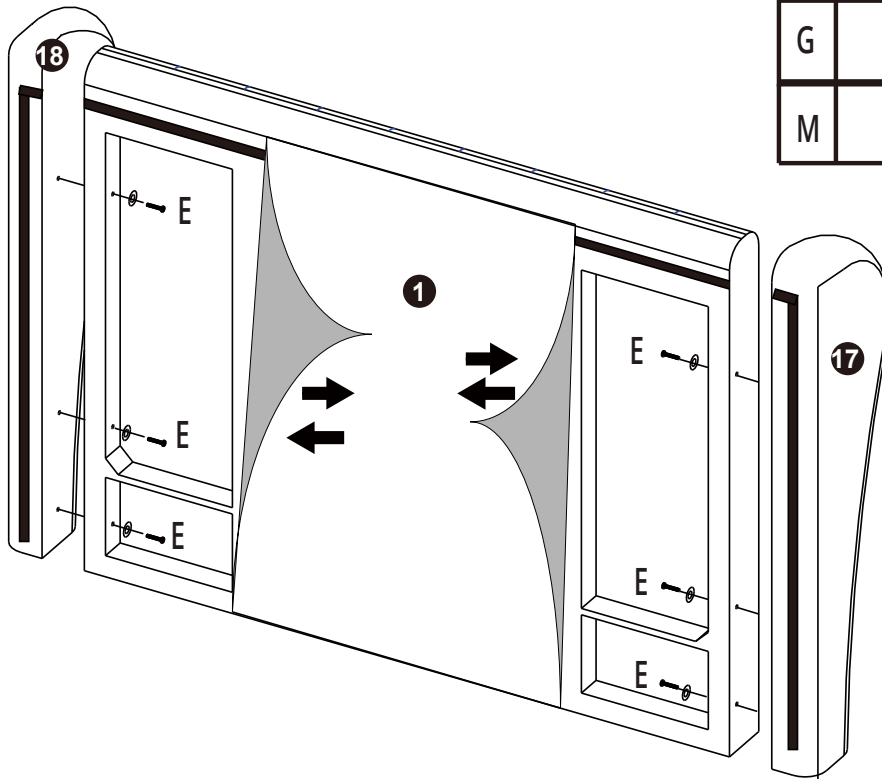
Step 2




B		2
E		1
N		1
G		2
M		1



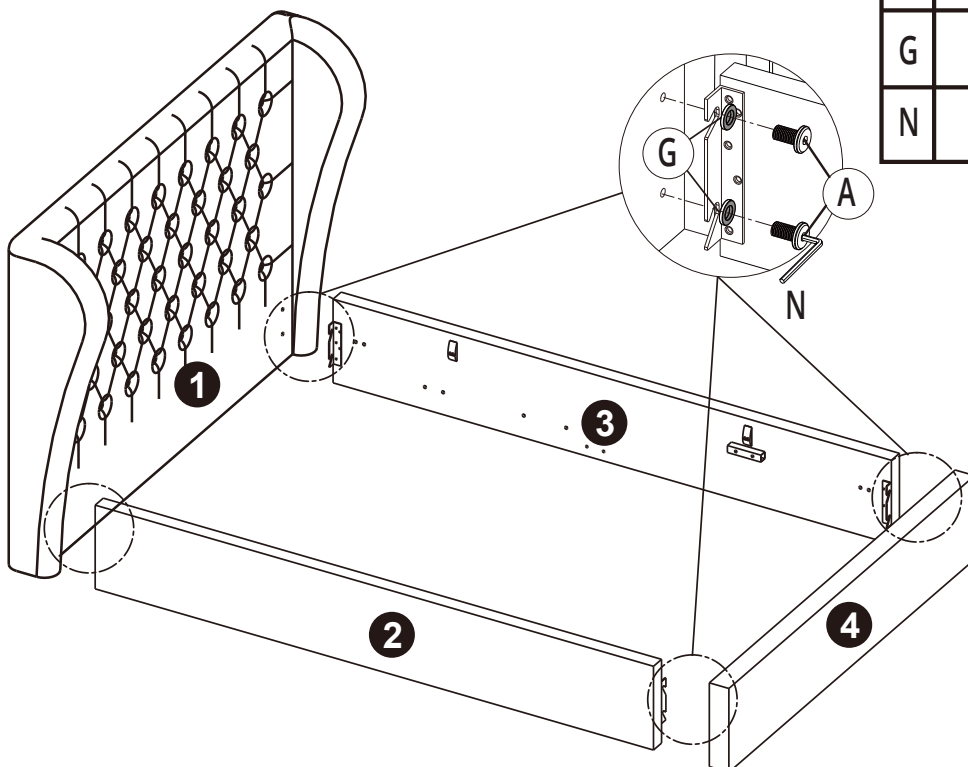
ASSEMBLY INSTRUCTIONS




Step 3



E		6
G		6
M		1

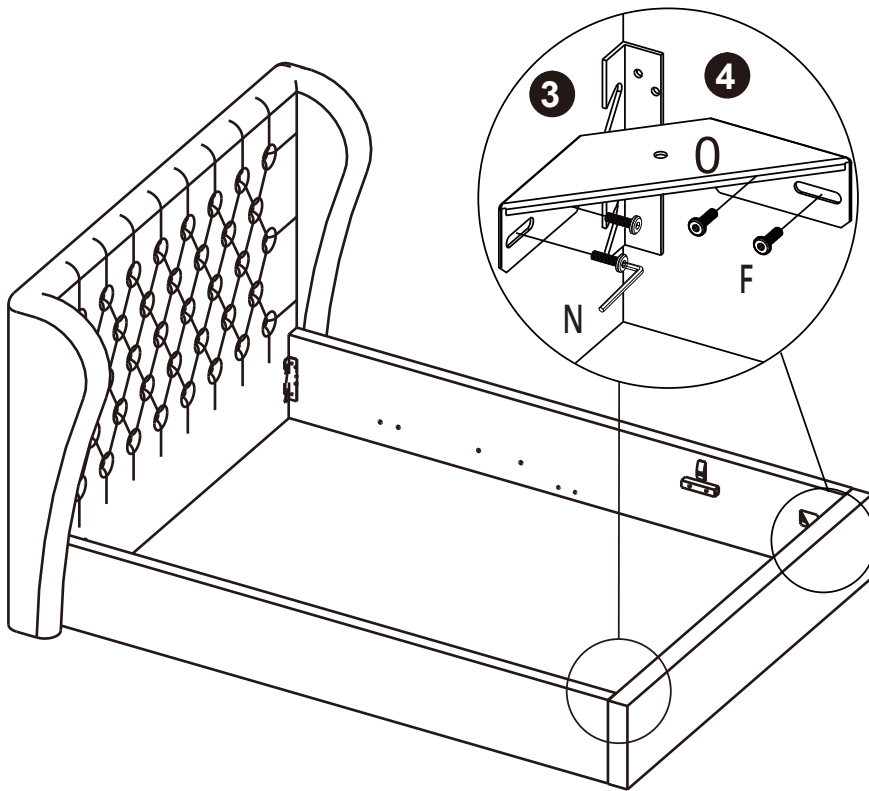
Step 4



A		8
G		8
N		1

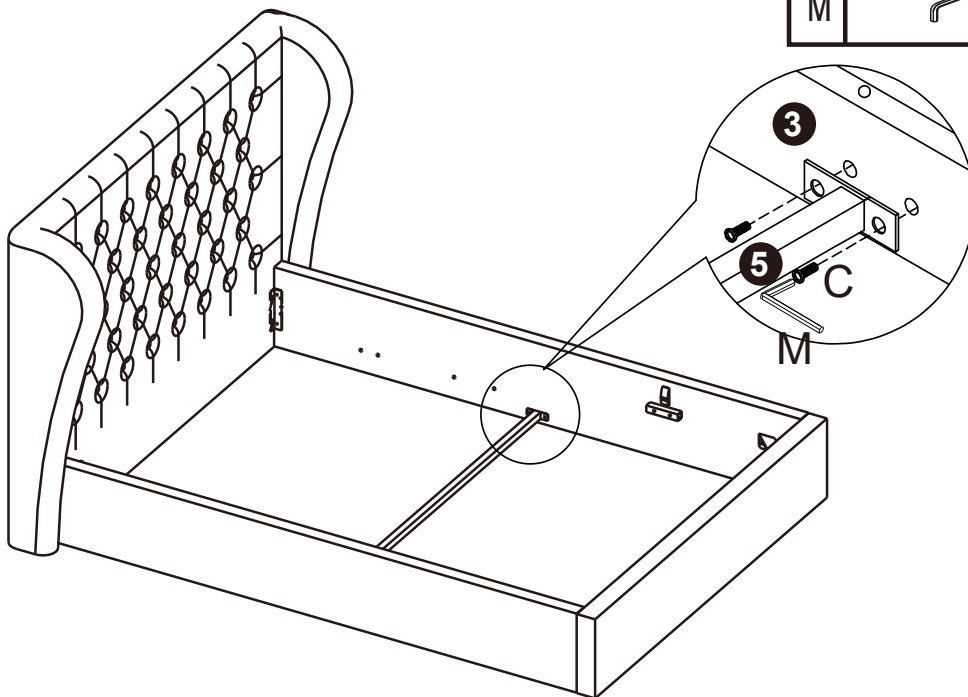
ASSEMBLY INSTRUCTIONS

Step 5



F		8
O		2
N		1

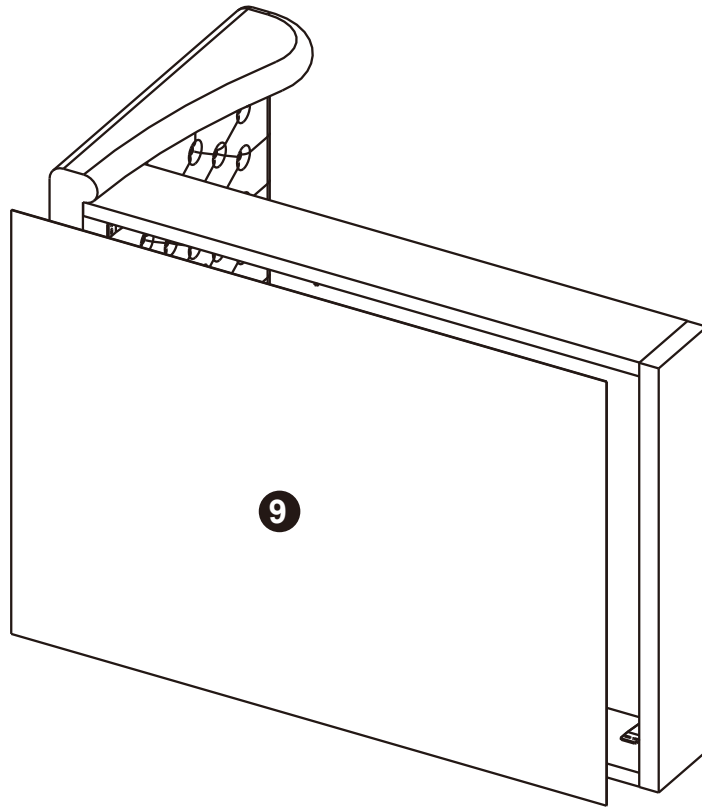
Step 6






C		4
M		1

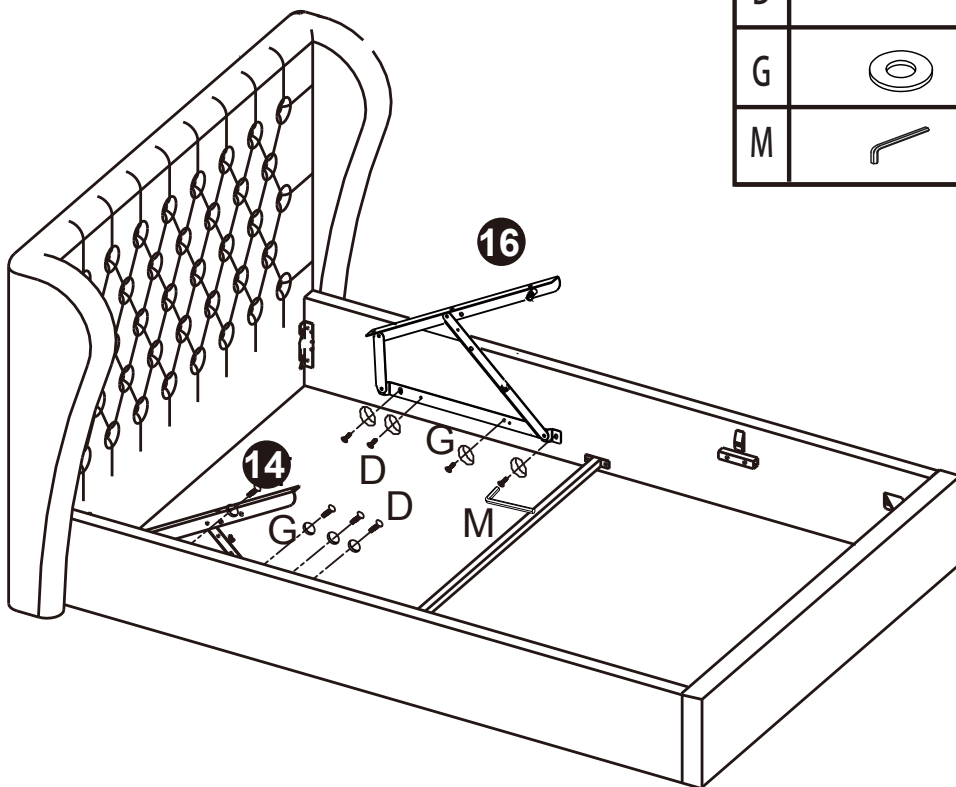
ASSEMBLY INSTRUCTIONS

Step 7




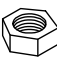
Step 8

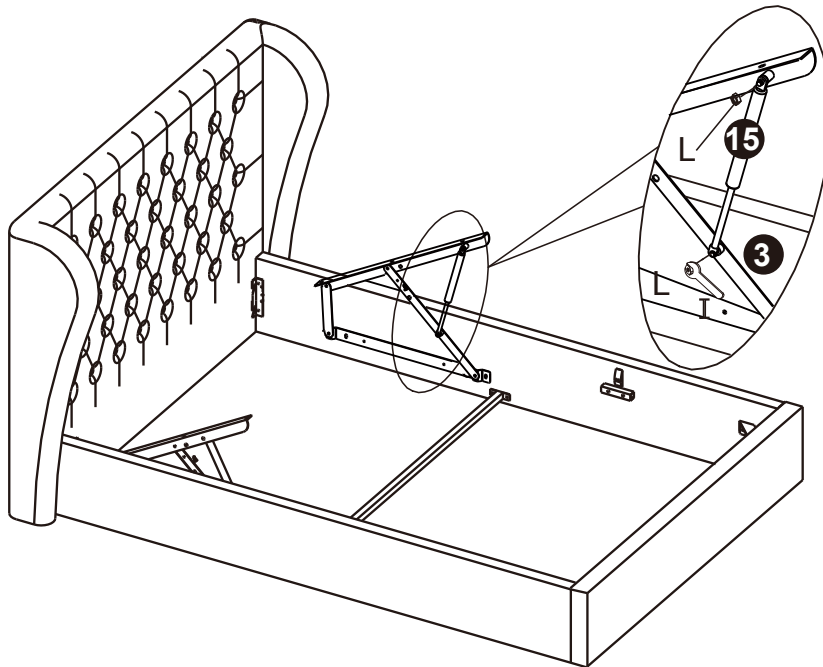
D		8
G		8
M		1



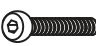

ASSEMBLY INSTRUCTIONS

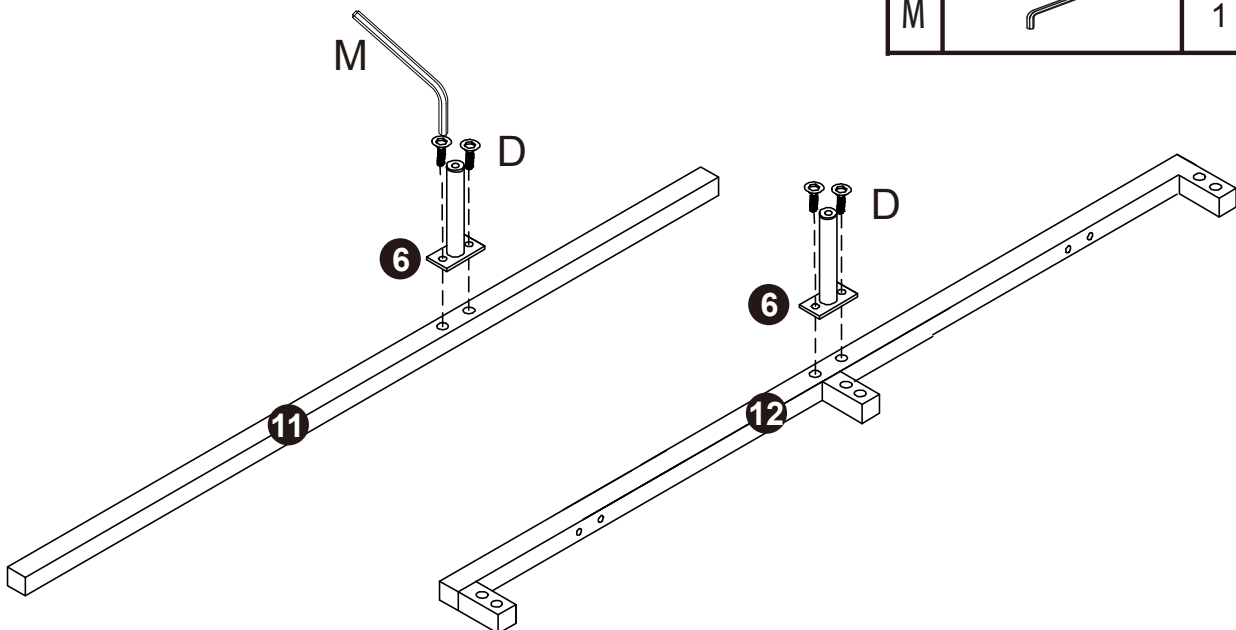
Step 9

I		1
L		4



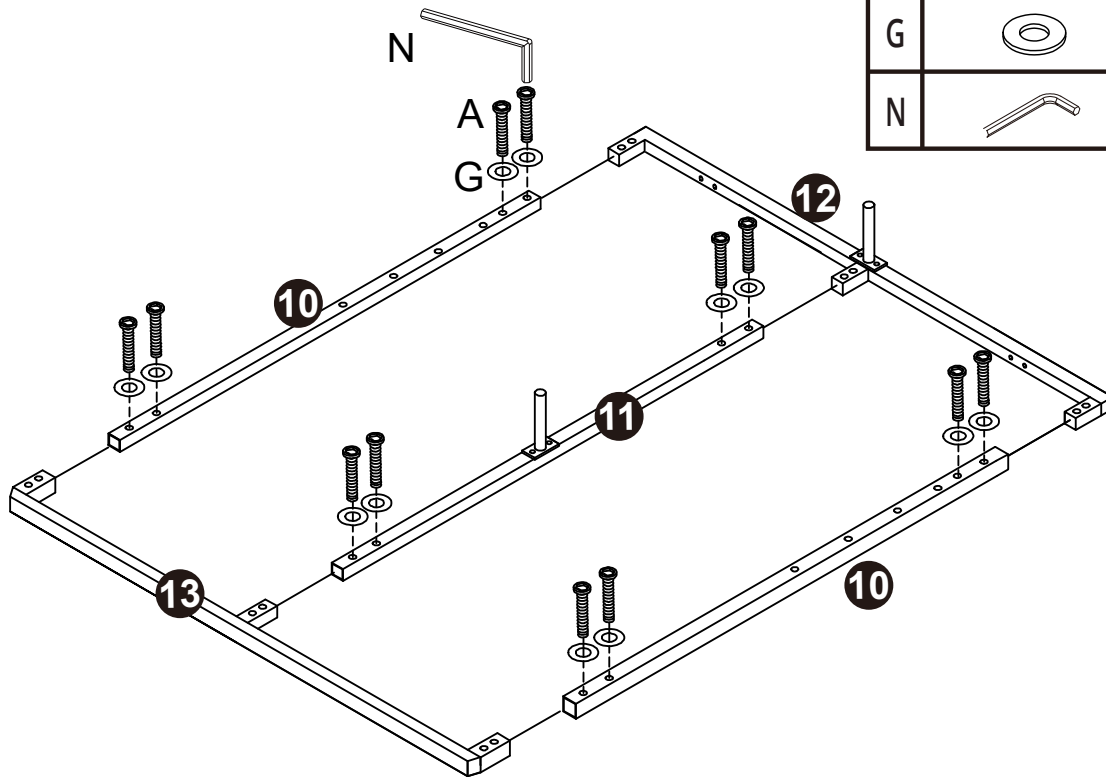
Step 10




D		4
M		1



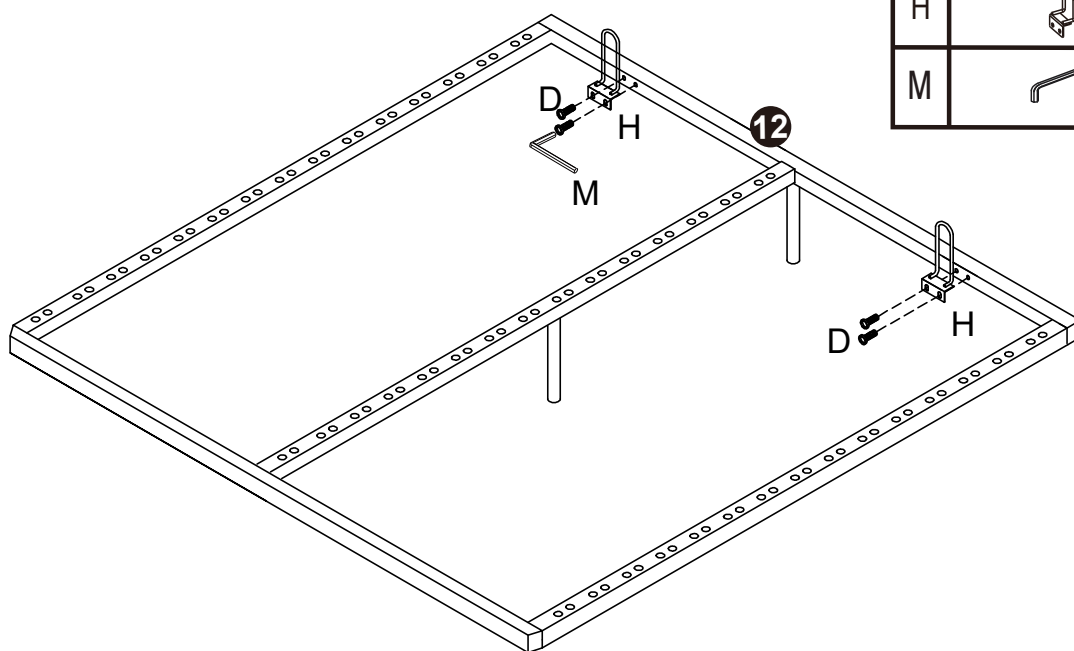
ASSEMBLY INSTRUCTIONS




Step 11



A		12
G		12
N		1




Step 12

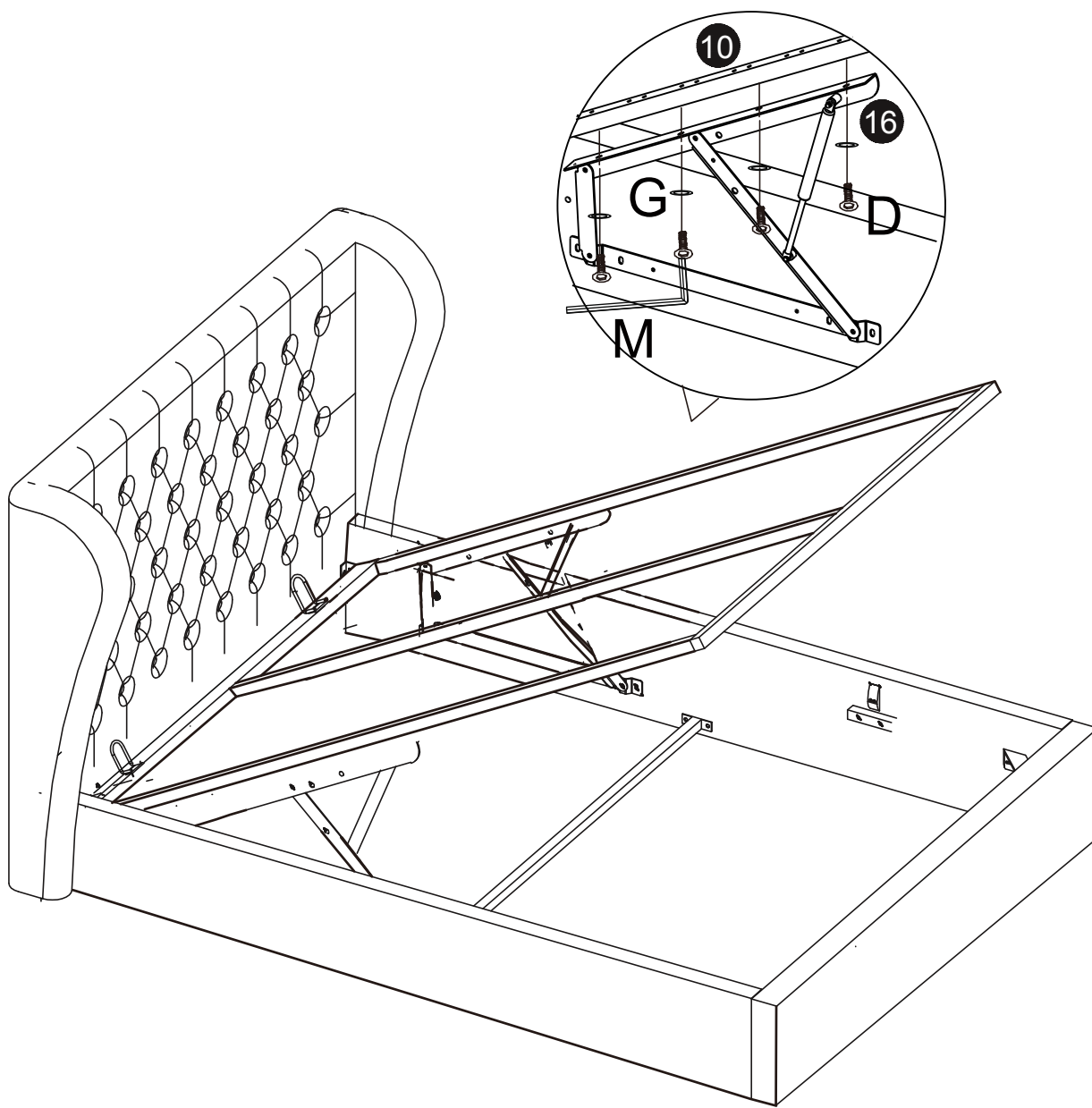


D		4
H		2
M		1

ASSEMBLY INSTRUCTIONS

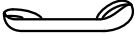
Step 13

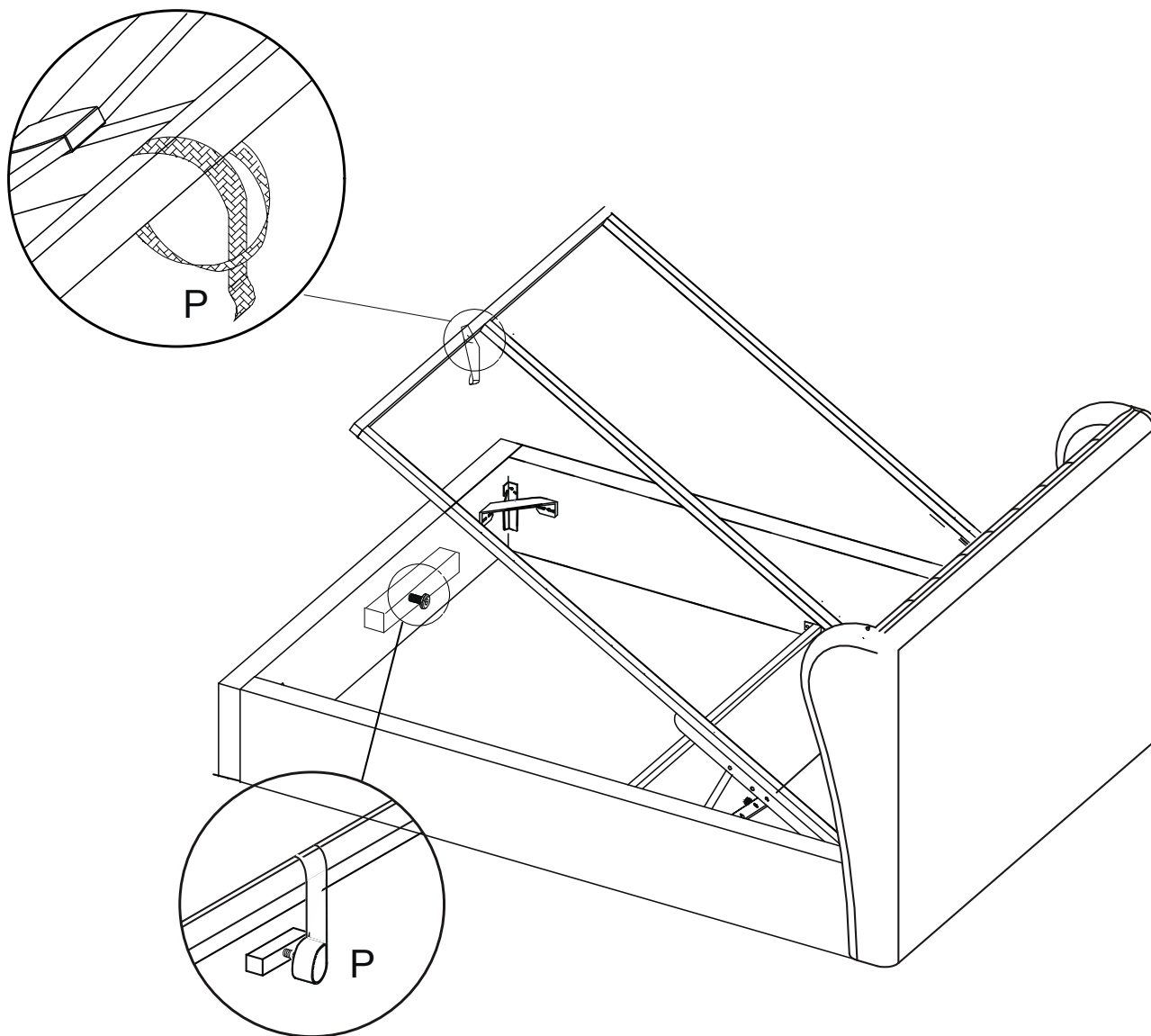
D		8
G		8
M		1



ASSEMBLY INSTRUCTIONS

Step 14



P		1
---	---	---

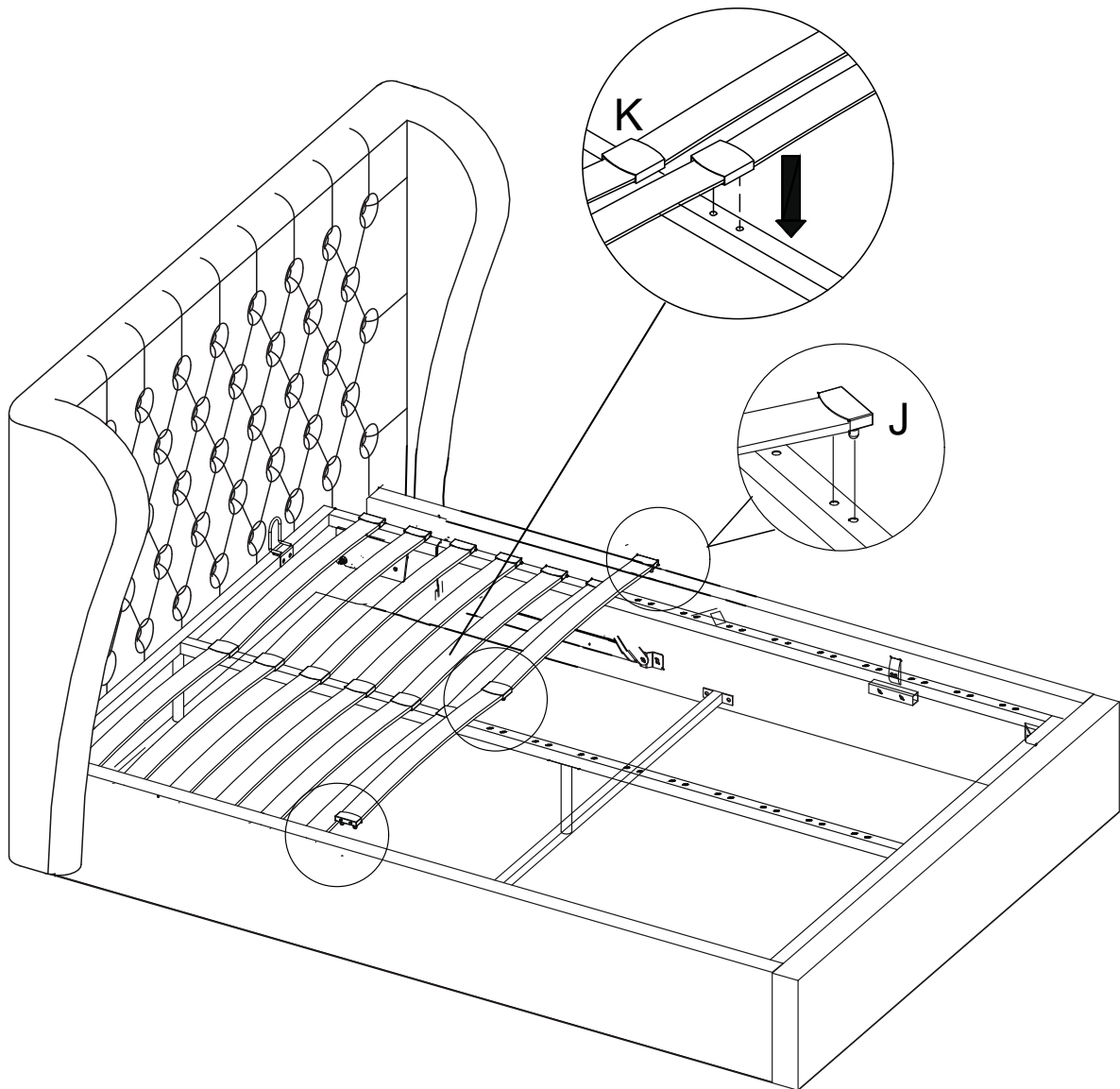


REMINDER: Please tie the rope on the screw tightly before putting the slats on.

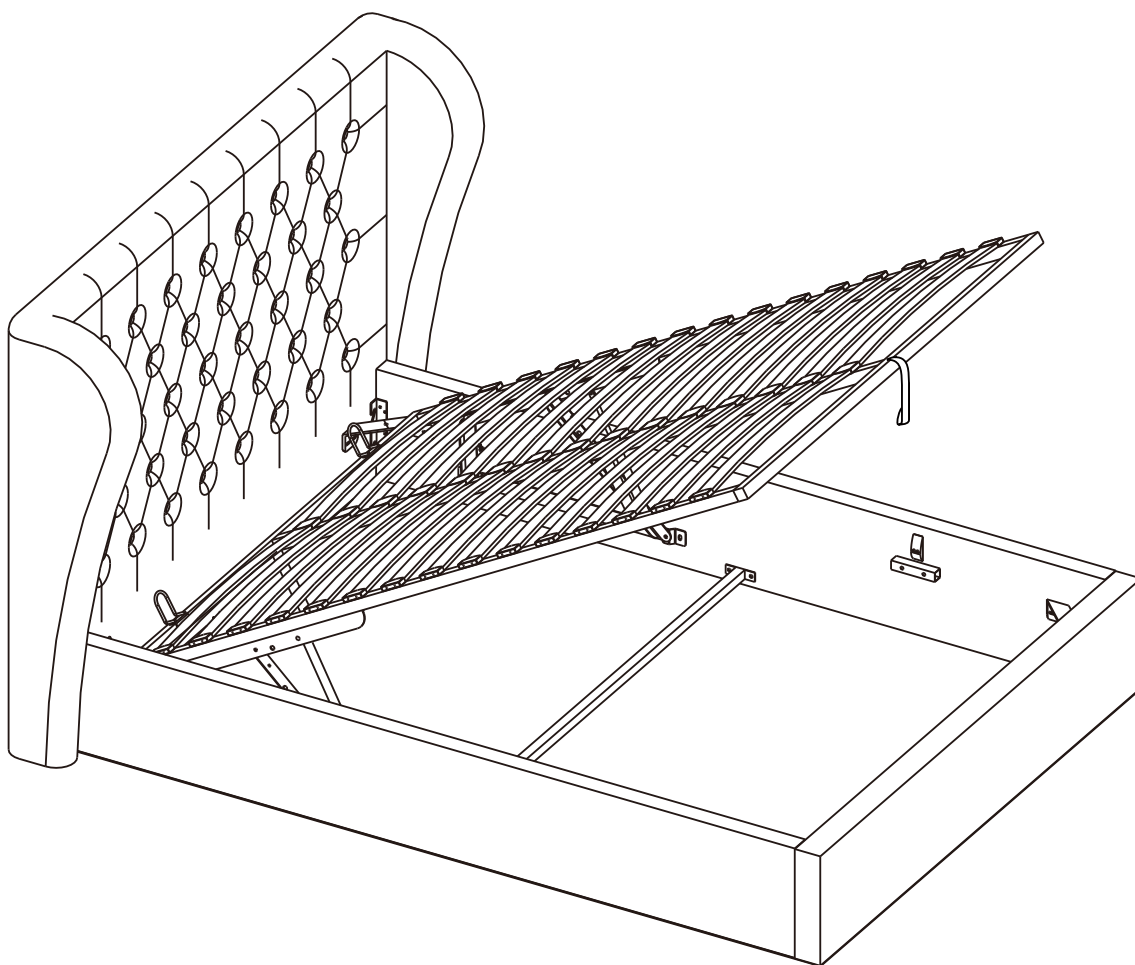
ASSEMBLY INSTRUCTIONS

Step 15

J		30
K		15



ASSEMBLY INSTRUCTIONS



Congratulations! Now you have finished assembling the product. There may be some dust or hand marks on your item, we recommend using a damp cloth to clean this product.