

ASSEMBLY INSTRUCTIONS



Fine Furniture for every stage of life

Accent Table

REVISION 0 : 07/27/2020
REVISION 1 : 09/30/2023
REVISION 2 : 07/30/2025

PAGE 1 OF 3

ASSEMBLY INSTRUCTIONS

ASSEMBLY TIPS:

1. Remove hardware from box and sort by size.
2. Please check to see that all hardware and parts are present prior to start of assembly.
3. Please follow attached instructions in the same sequence as numbered to assure fast & easy assembly.



WARNING!

1. Don't attempt to repair or modify parts that are broken or defective. Please contact the store immediately.
2. This product is for home use only and not intended for commercial establishments.



ASSEMBLY TIME

10 MINUTES

PARTS IDENTIFICATION

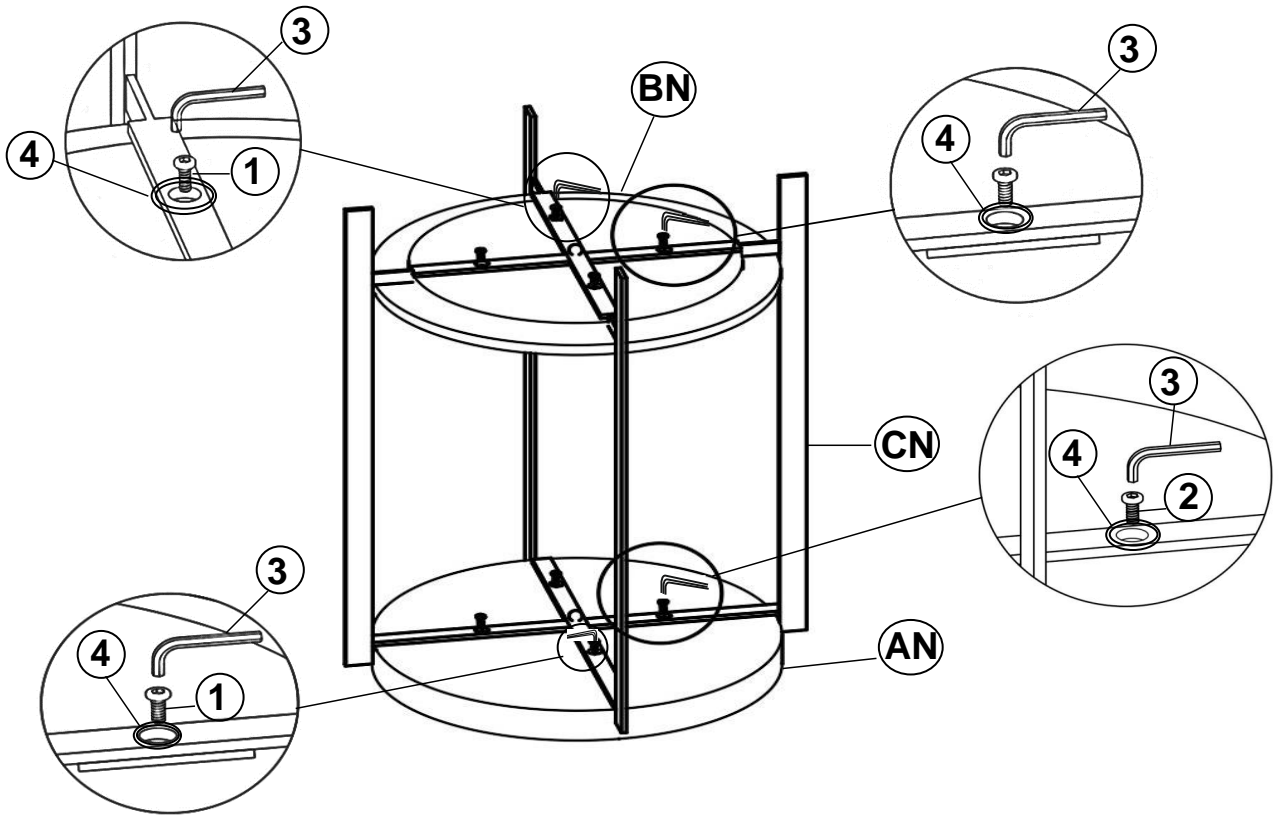
AN	TOP		1PC
BN	BOTTOM		1PC
CN	LEG FRAME		1PC

HARDWARE IDENTIFICATION

1	SHORT BOLT (M5 x 16mm - BLK)		4PCS
2	LONG BOLT (M5 x 20mm - BLK)		4PCS
3	ALLEN WRENCH (3 mm - BLK)		1PC
4	FLAT WASHER (6 mm - BLK)		8PCS

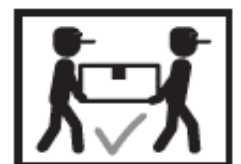
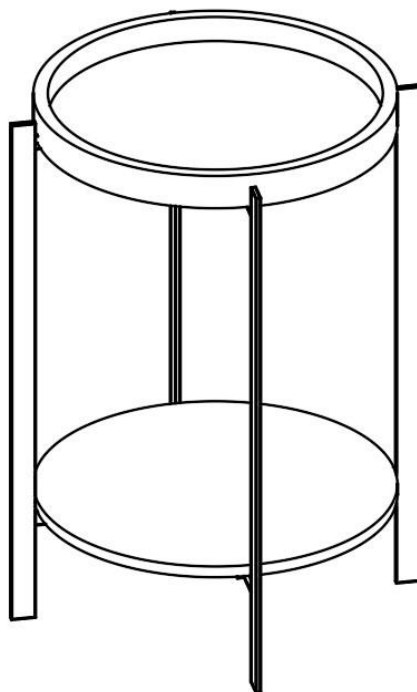
ASSEMBLY INSTRUCTIONS

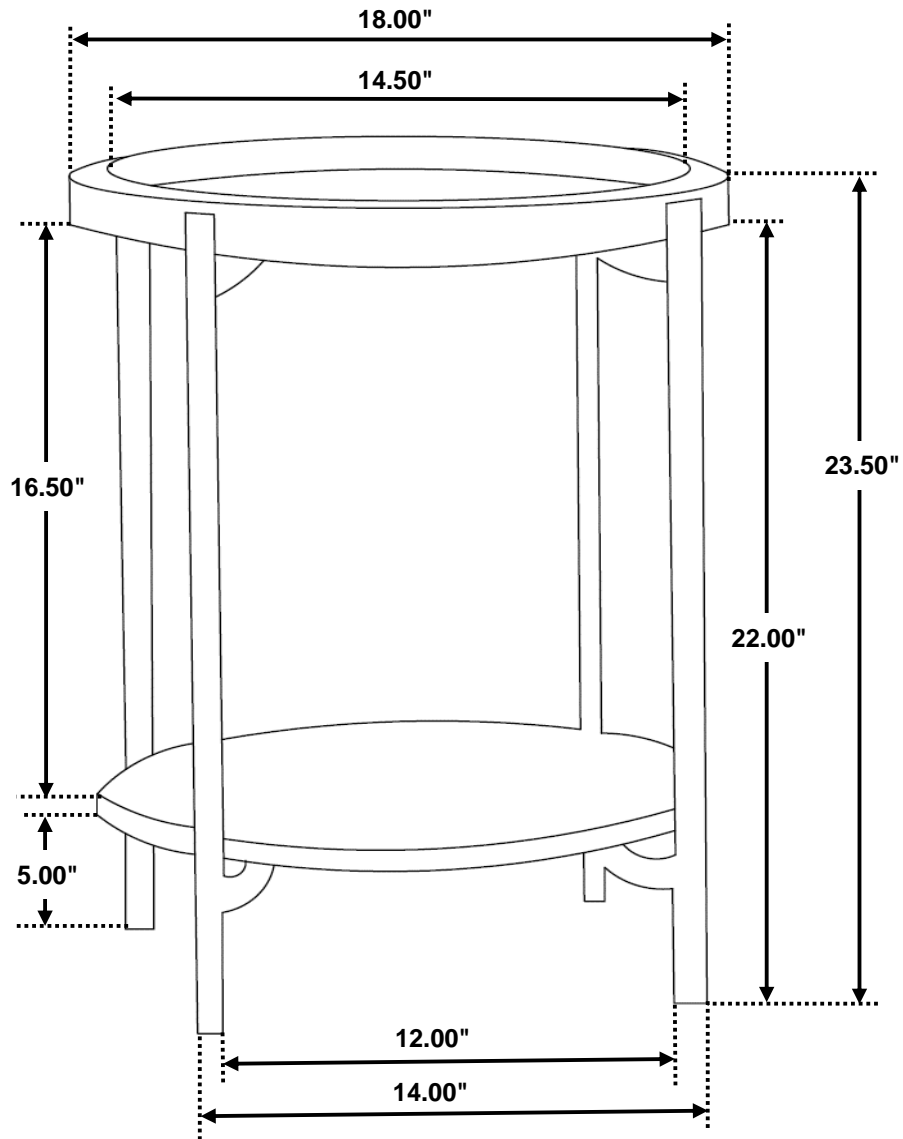
STEP 1



STEP 2

COMPLETE





Note : Dimension tolerance $\pm 5\%$