



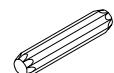


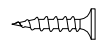
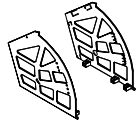



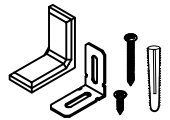
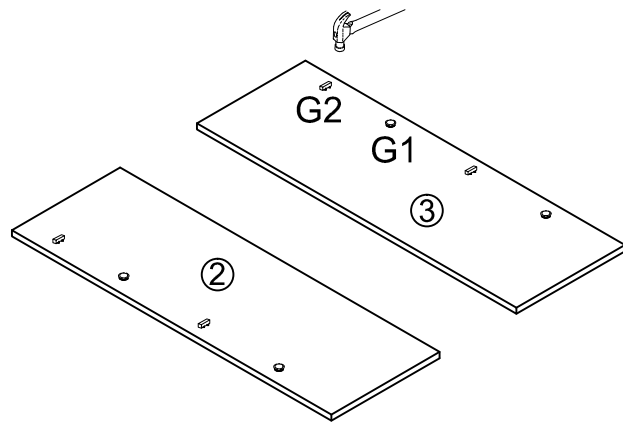


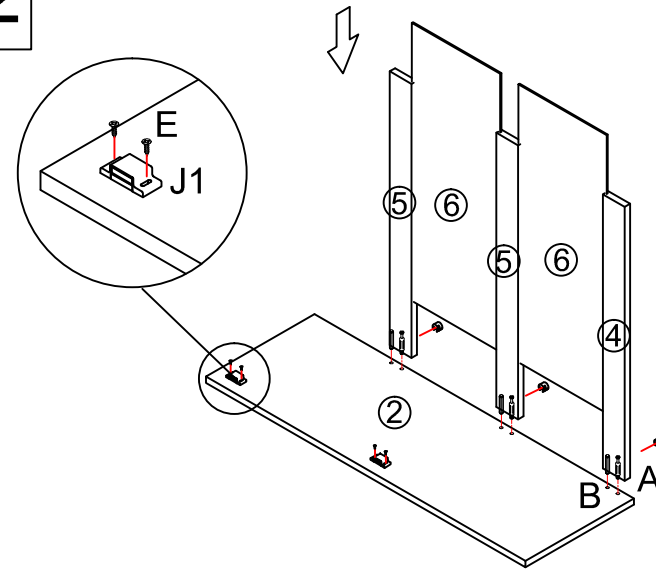
<p>I 5*10</p>  <p>4PCS</p>	<p>J</p> <p>J2</p>  <p>J1</p>  <p>2PCS</p>						
<p>A</p>  <p>10PCS</p>	<p>B 8*40</p>  <p>10PCS</p>	<p>C</p>  <p>4PCS</p>	<p>D 4*20</p>  <p>4PCS</p>	<p>E 3.5*14</p>  <p>28PCS</p>	<p>F</p>  <p>2PCS</p>	<p>G</p> <p>G1</p>  <p>G2</p>  <p>G3</p>  <p>2PCS</p>	<p>H</p>  <p>2PCS</p>

1



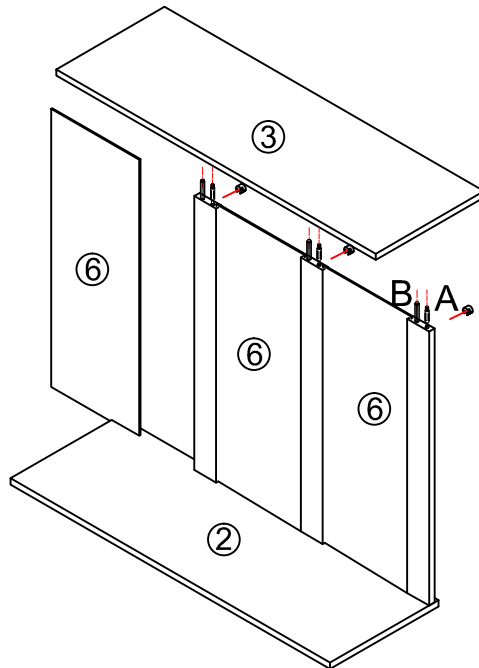
G1*2 G2*2

2



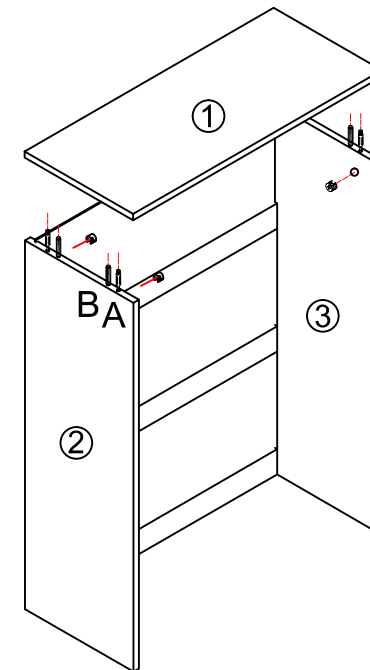
A*3 B*3 E*4 J1*2

3



A*3 B*3

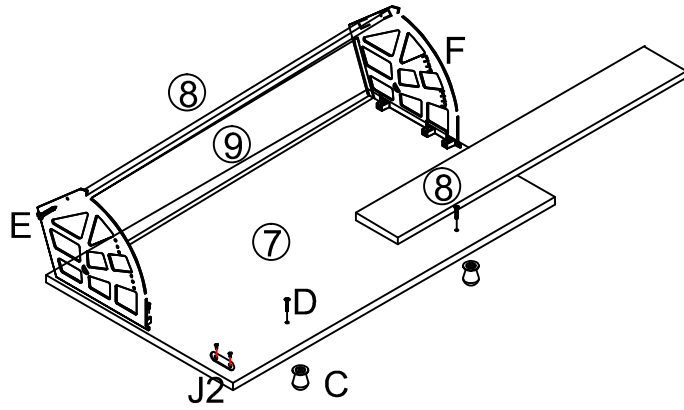
4



A*4 B*4

5

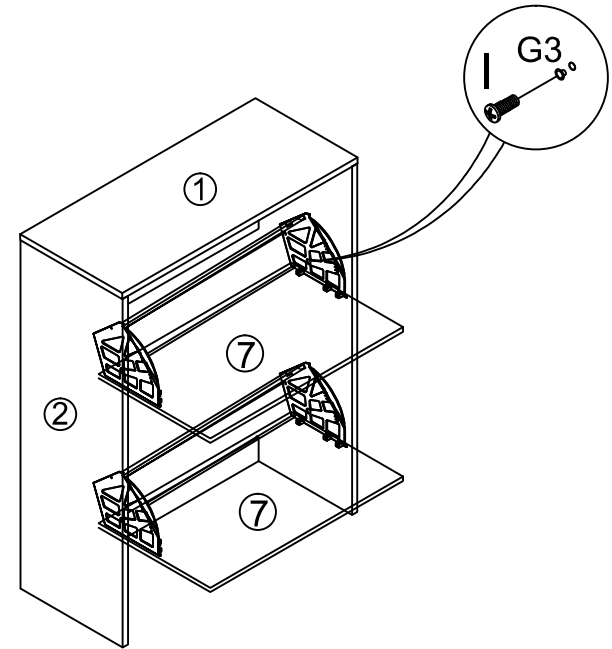
X2



Gently twist, hard twist
easy to crack

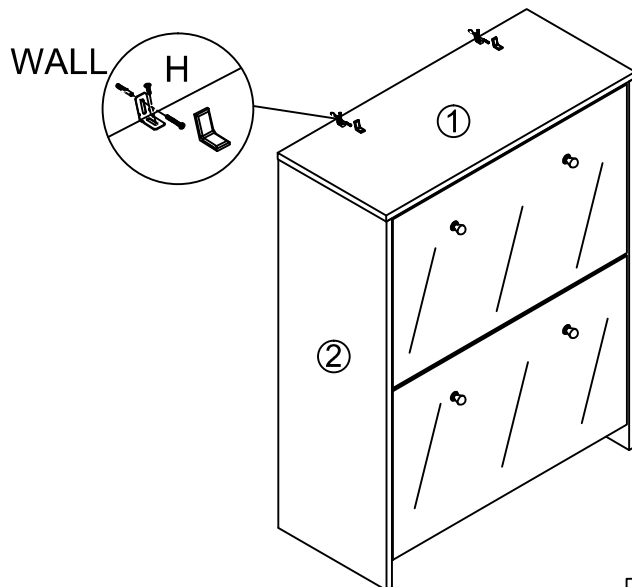
C*4 D*4 E*24 F*2 G*20

6



G3*4 I*4

7



H*2

8

