
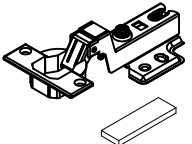
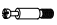










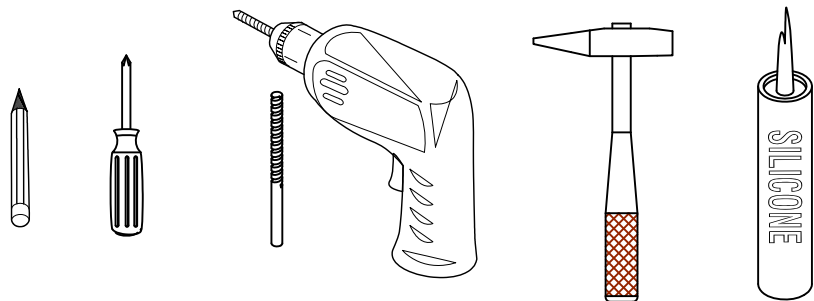


Item NO.:BV B03624 / BV B03630

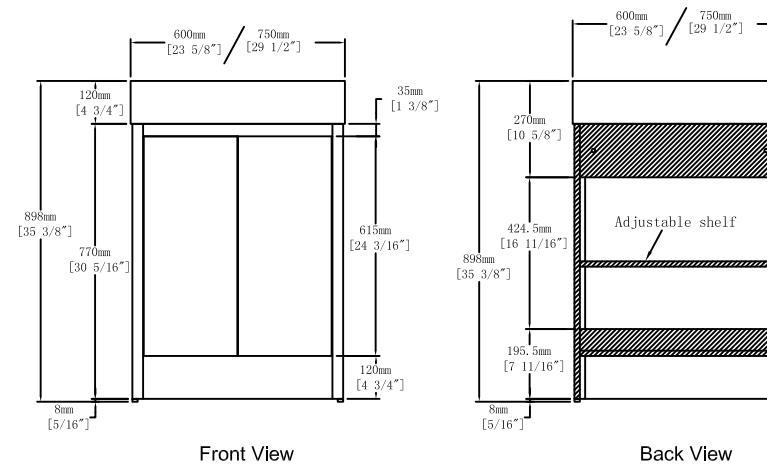
Hardware

NO.	Draw	QTY	NO.	Draw	QTY
A	 Screws Ø4x14mm	44	I	 Hinges	4
B	 Two-in-one connector	24	J	 Anti-collision gasket	4
C	 Two-in-one connector	24	K	 Movable laminate support	4
D	 Wood plug	4	L	 Adjustable feet	4
E	 Plastic anchor(Ø10mm)	2	M	 Screwdriver	1
F	 Screws for fix on the wall	2			
G	 Bracket (53x70x44mm)	2			
H	 Bracket (19x19x35mm)	2			

Recommended tools



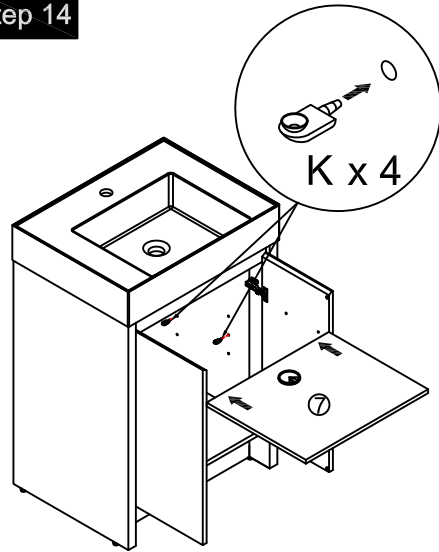
Dimensions



CARE CLEANING AND MAINTENANCE

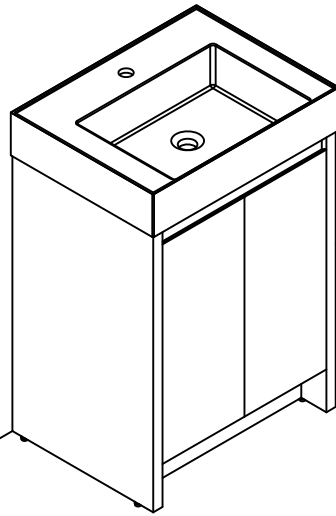
1. Dust regularly with a soft , dry cloth.
2. Avoid the use of all chemicals household cleaners, abrasives, or cleaners that contain lemon, vinegar, or other acids that may damage the finish.
3. Excessive exposure to sunlight and extreme changes in temperature and moisture can damage wood furniture.
4. The sink top is resilient, but care needs to be taken to preserve its appearance.
5. Do not place hot appliances, such as curling irons and hot hair dryers directly on the countertop. Wipe spills immediately.

Step 14



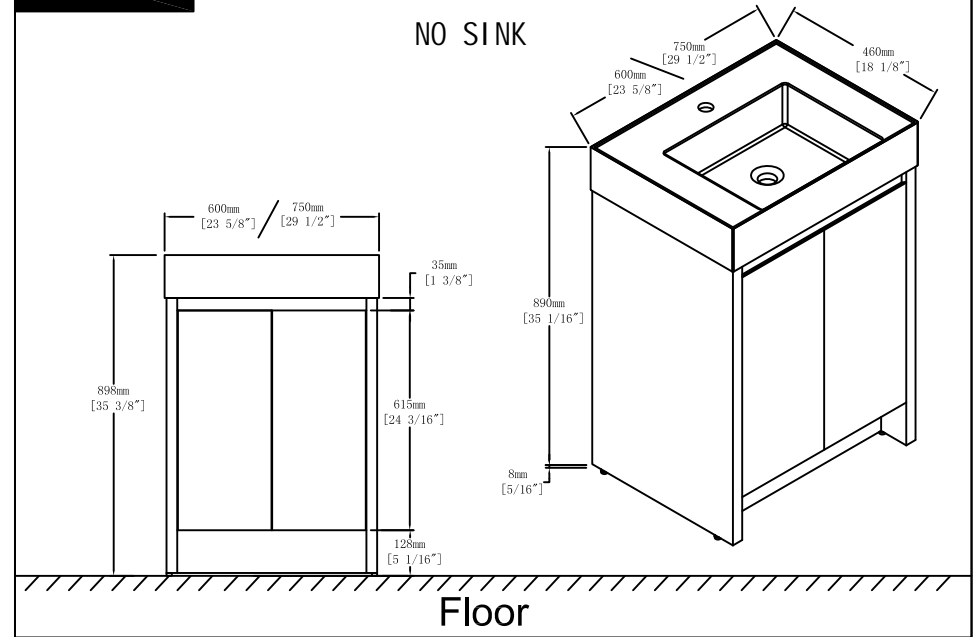
Finished

NO SINK

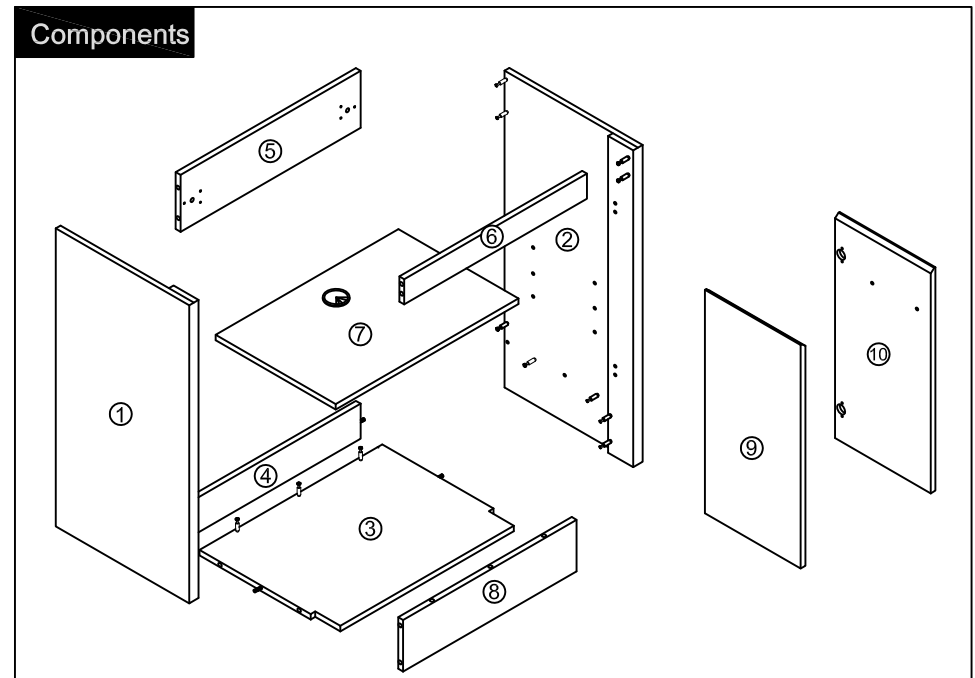


Notes:
The installation position can be selected according to the required height.

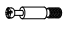

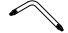
Dimensions

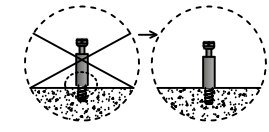
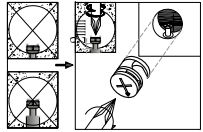
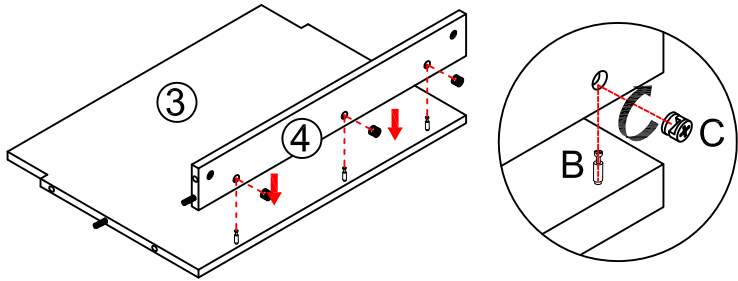


Components



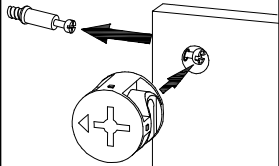
Step 1

-  x3
-  x3
-  x1

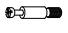




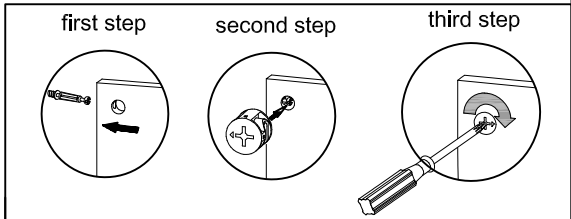
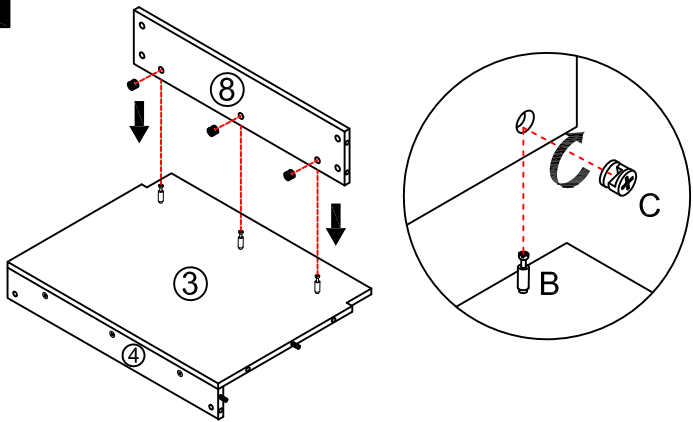
Notes: Screw installation depth as shown

Attention: The lock handle arrow points to the side face.

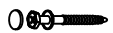



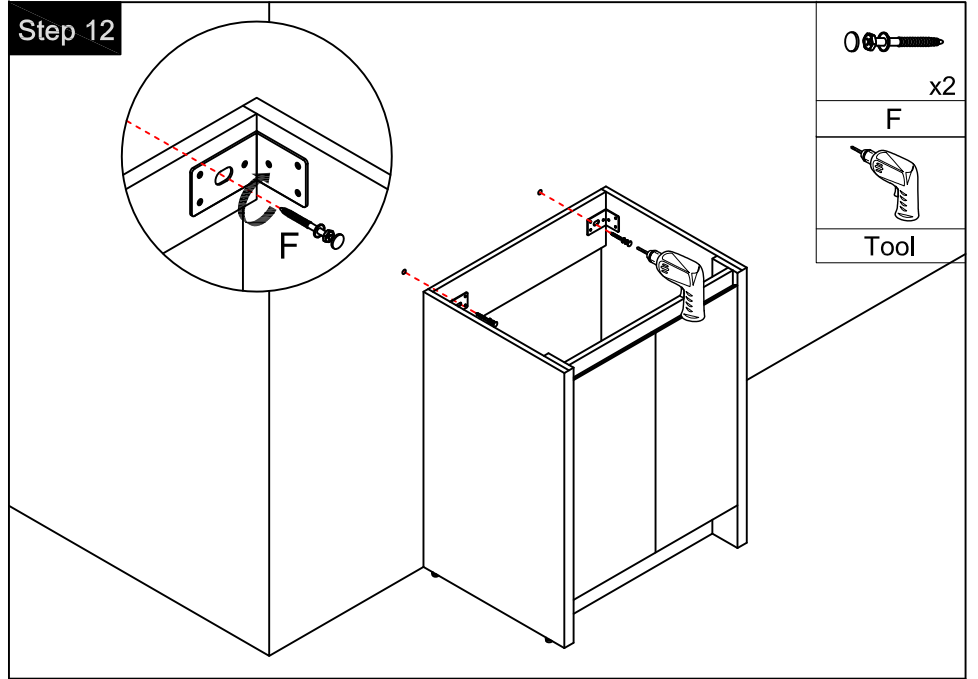
Step 2

-  x3
-  x3
-  x1

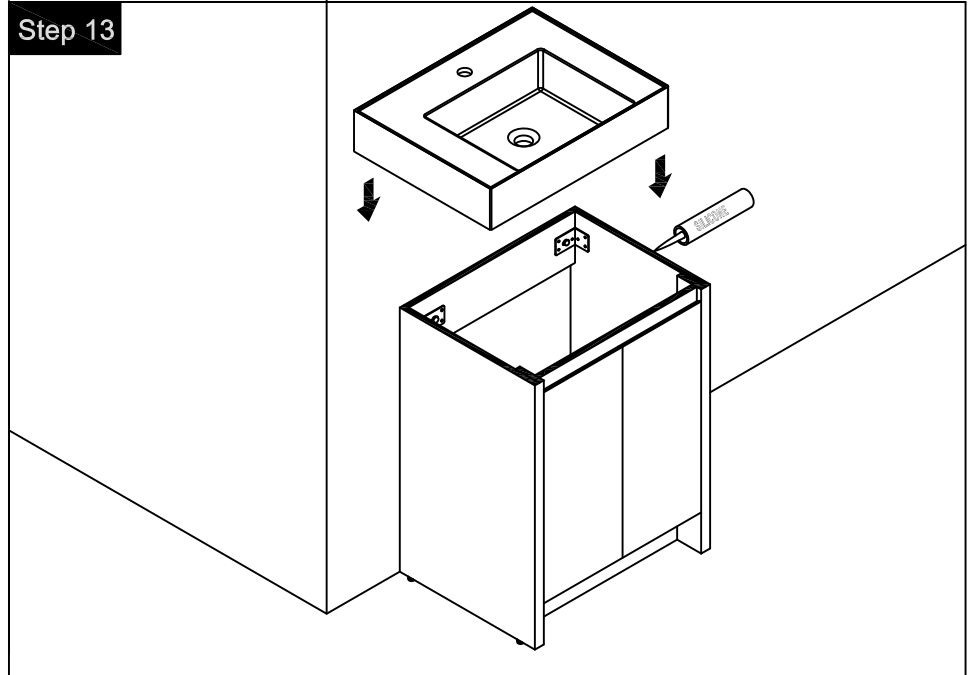


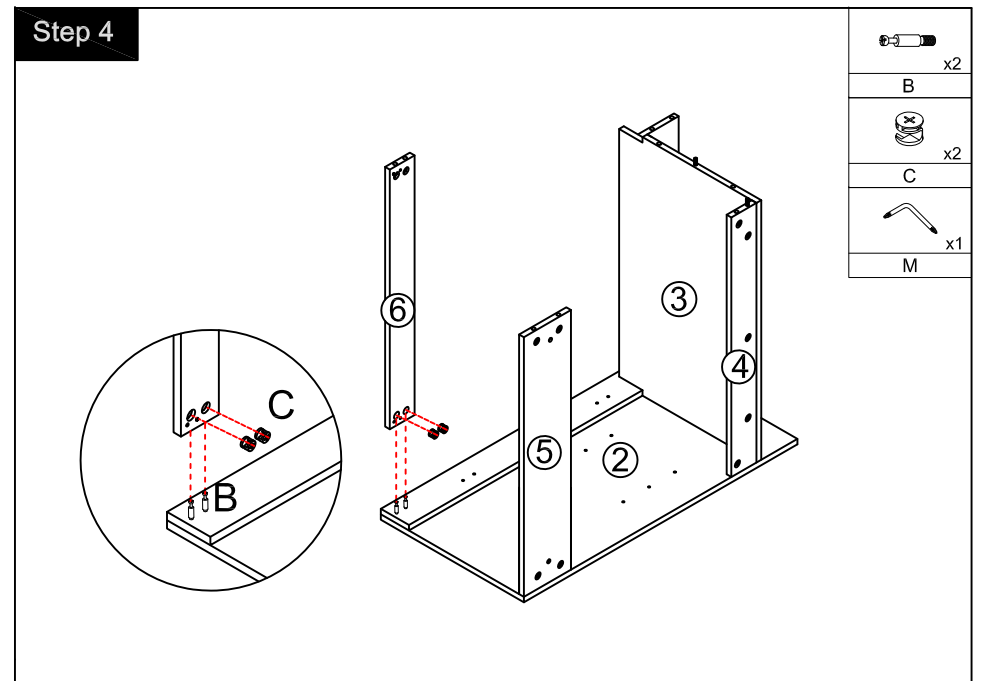
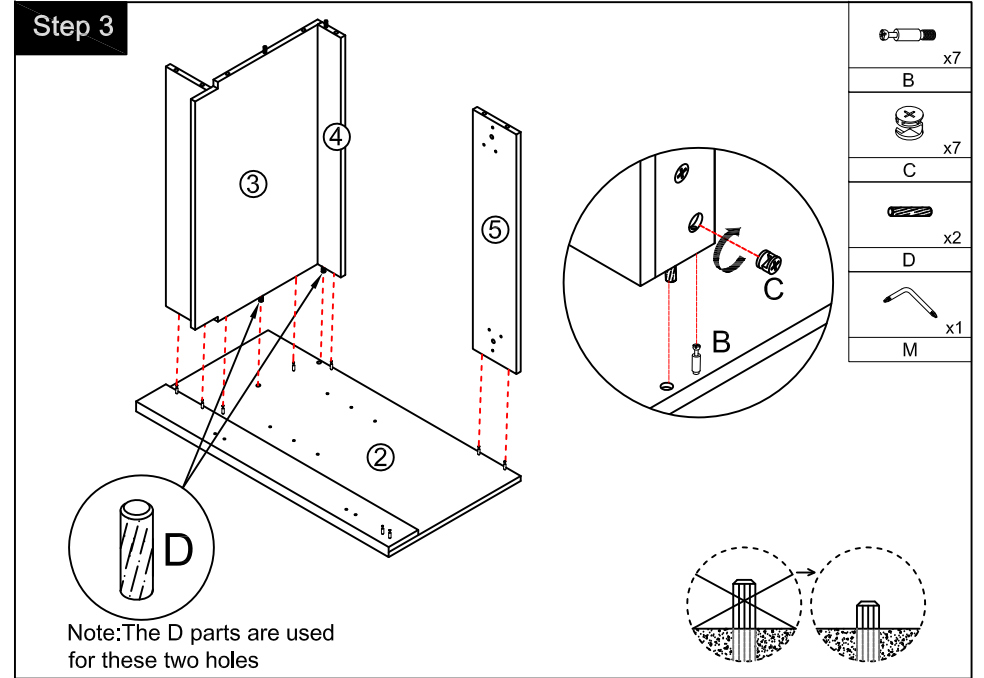
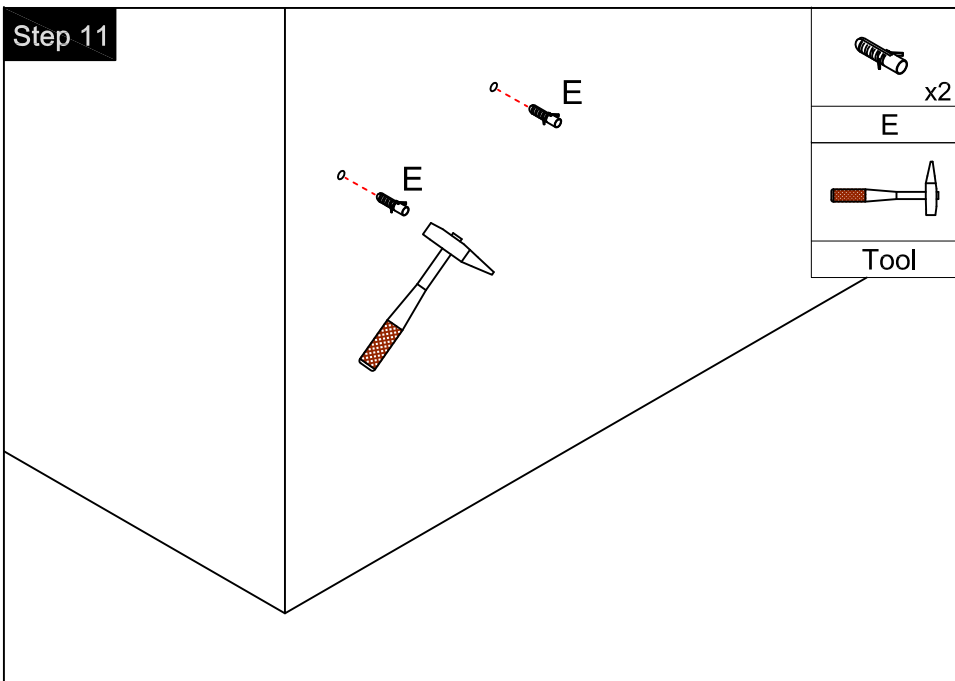
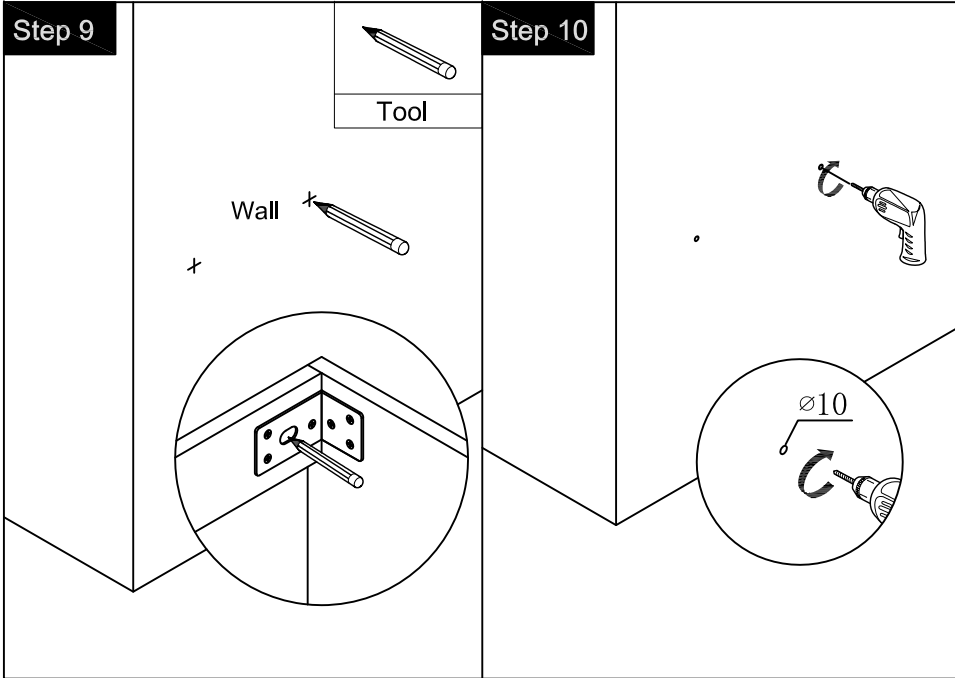
Step 12

-  x2
-  Tool

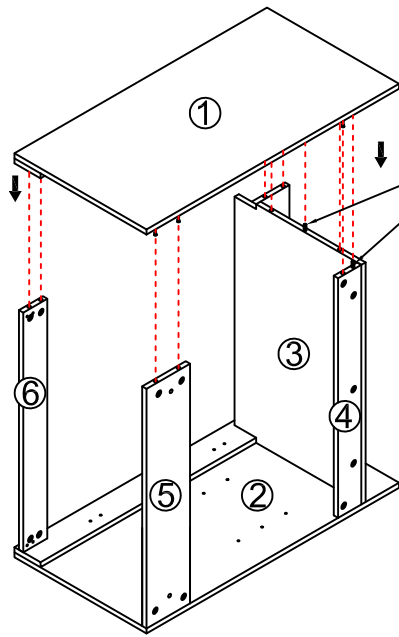


Step 13

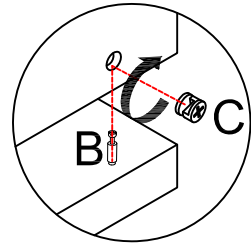




Step 5

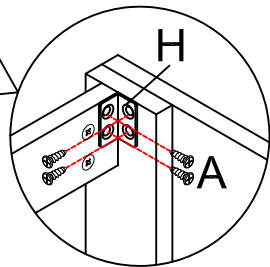
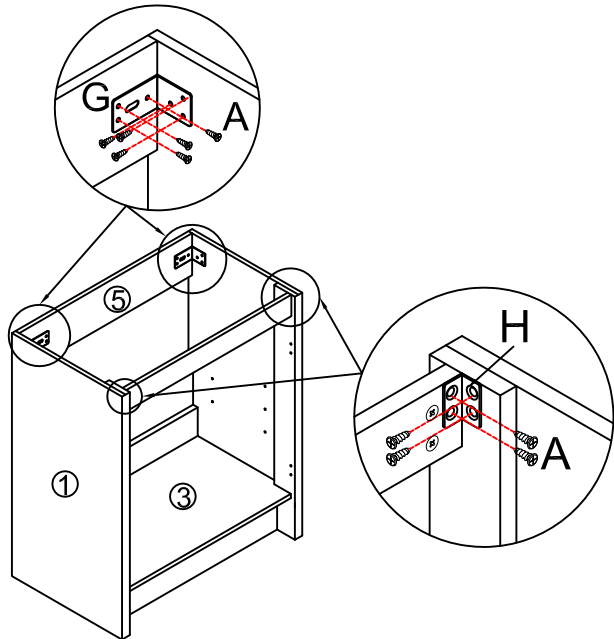


Note: The D parts are used for these two holes



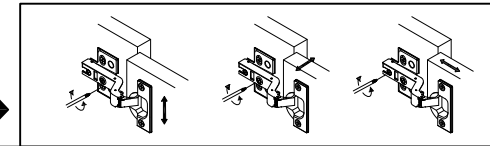
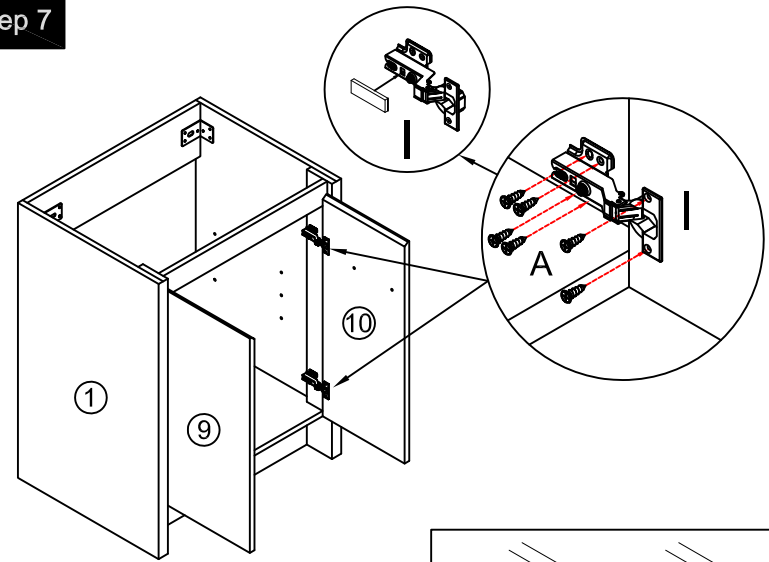
	x9
B	
	x9
C	
	x2
D	
	x1
M	

Step 6



	x2
G	
	x2
H	
($\varnothing 4 \times 14\text{mm}$)	
	x20
A	
Tool	

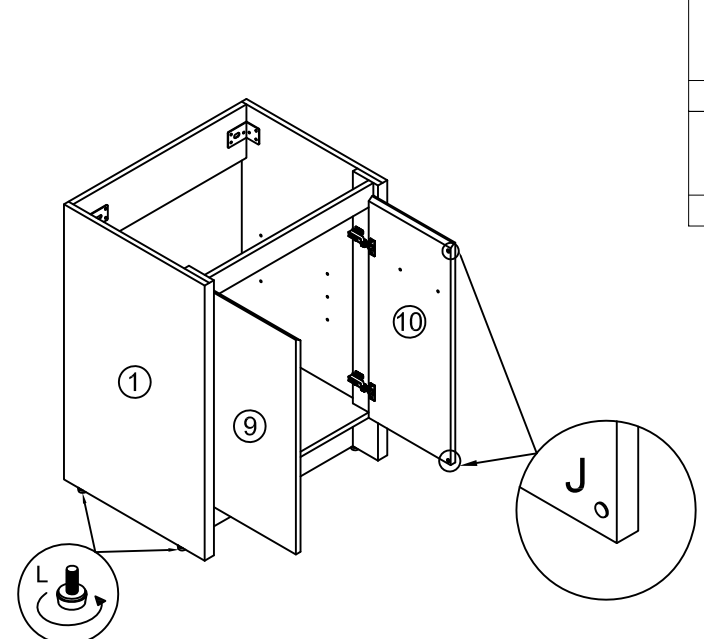
Step 7



You can adjust the doors by tightening or loosening the screws on the hinge. →

	x4
I	
($\varnothing 4 \times 14\text{mm}$)	
	x24
A	
Tool	

Step 8



Note: Install and adjust the level screws

	x4
J	
	x4
L	