

EVERY

SEASON

HAS

A STORY

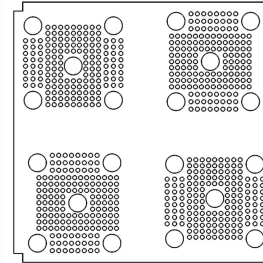


**MULTIPLE
COMBINATION
ASSEMBLY
PLANTER
BOXES**

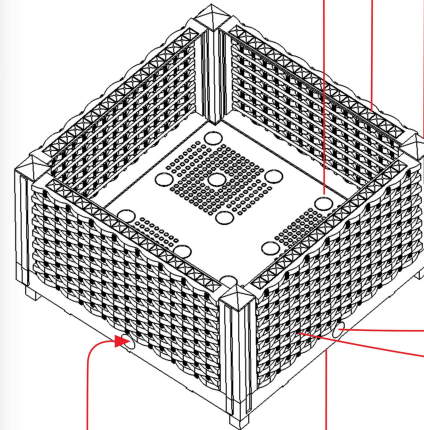
INSTRUCTION MANUAL

RELAX AND BE HAPPY

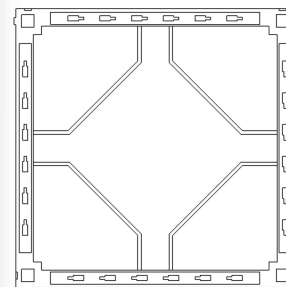
CONTAINS FOR SINGLE BOX



Grid x1



Water Plugs x2



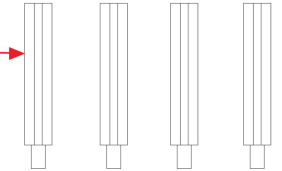
Bottom Panel x1



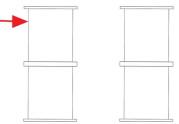
Cover Strips x4



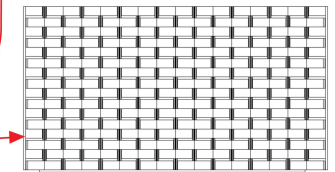
End Caps x4



Connecting Rods x4



Water Adaptors x4



Side Panels x4

MULTIPLE COMBINATION ACCESSORIES



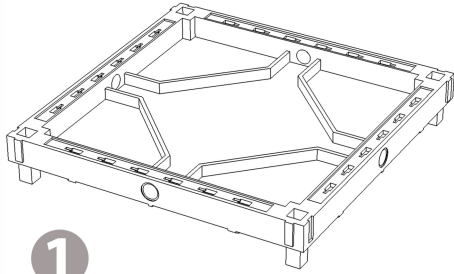
Connecting Tube x1



Sealing Strip x2

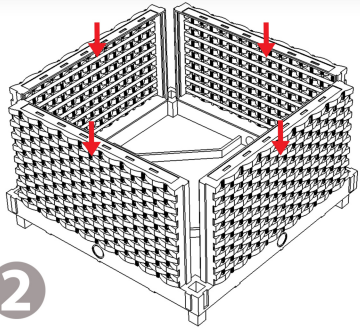
PLANT BOX

ASSEMBLY SINGLE BOX



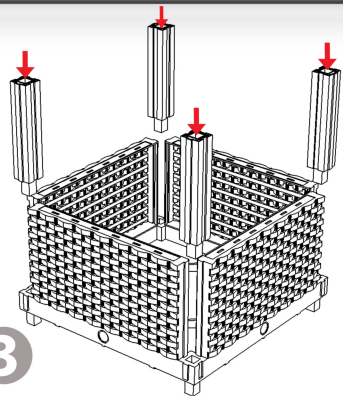
1

Prepare a Bottom Panel



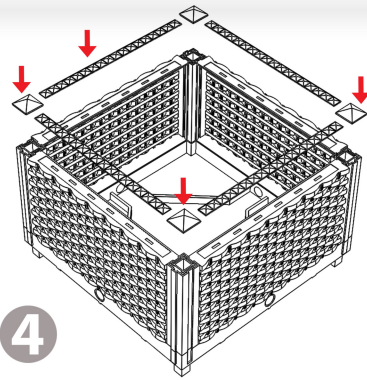
2

Install 4 side panels along with the grooves of bottom panel



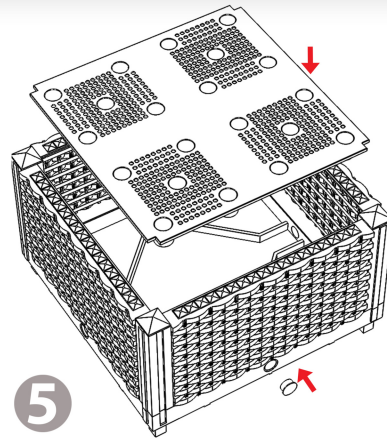
3

Insert four connecting rods into the bottom panel (Along with the grooves of side panels)



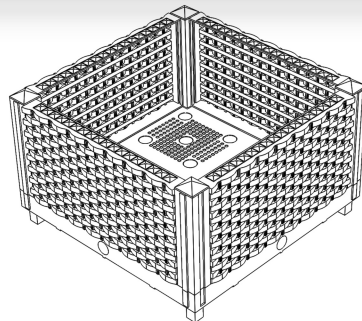
4

Insert the 4 cover strips and 4 end caps into the top of 4 side panels and 4 connecting bars



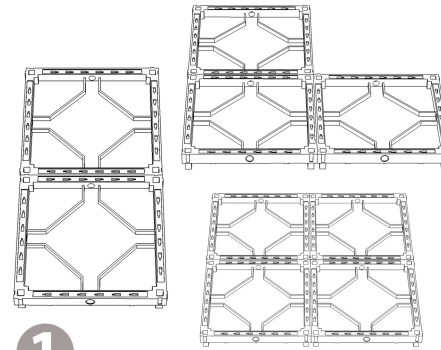
5

Insert the water adaptors or water plugs into the middle hole of the 4 sides of the bottom panel, put the grid board



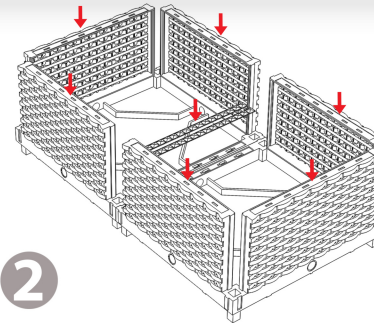
Complete !

ASSEMBLY MULTIPLES



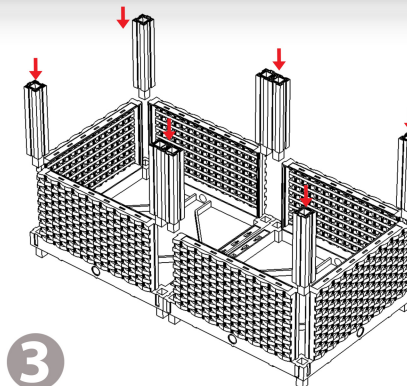
1

Prepare a Bottom Panel



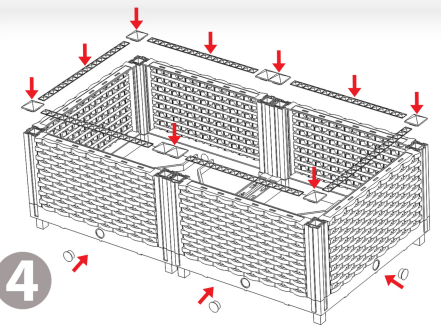
2

Install side panels along with the grooves of bottom panels and install sealing strips



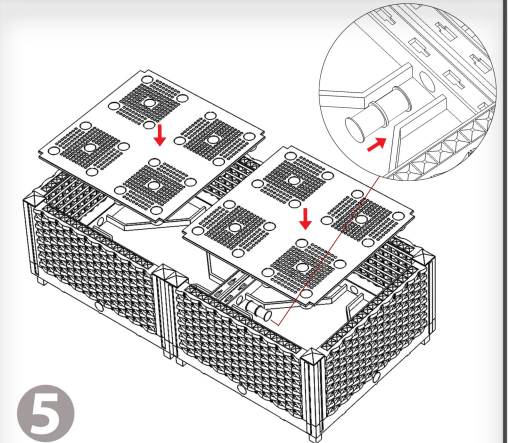
3

Insert the connecting rods into the bottom panel (Along with the grooves of side panels)



4

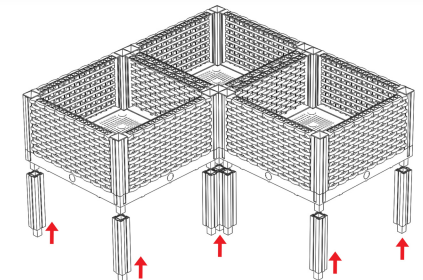
Insert the 4 cover strips and 4 end caps into the top of 4 side panels and 4 connecting bars. Insert the water adaptors water plugs into the middle holes



5

Plug in the connecting tube between 2 boxes, put the grid board and complete

HEIGHT INCREASE



If you want to increase the height of Assembly, install more connecting rods at the grid board.