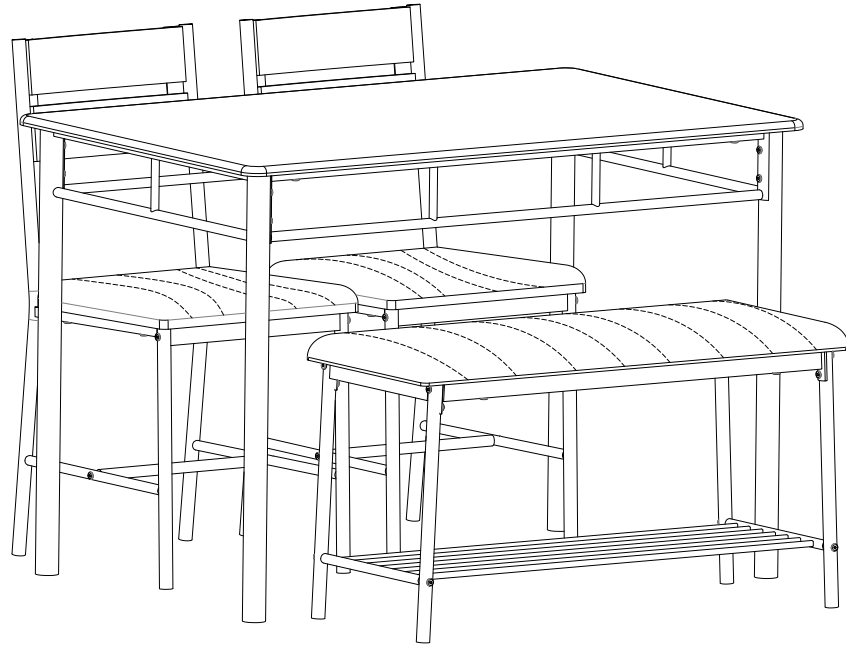
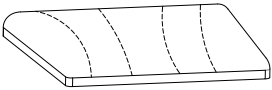

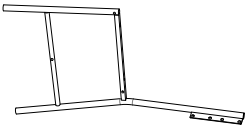
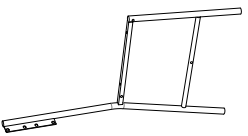


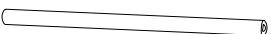

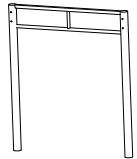

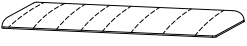



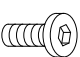
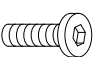
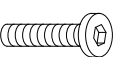
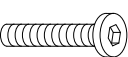
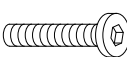
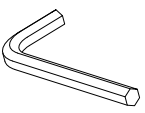


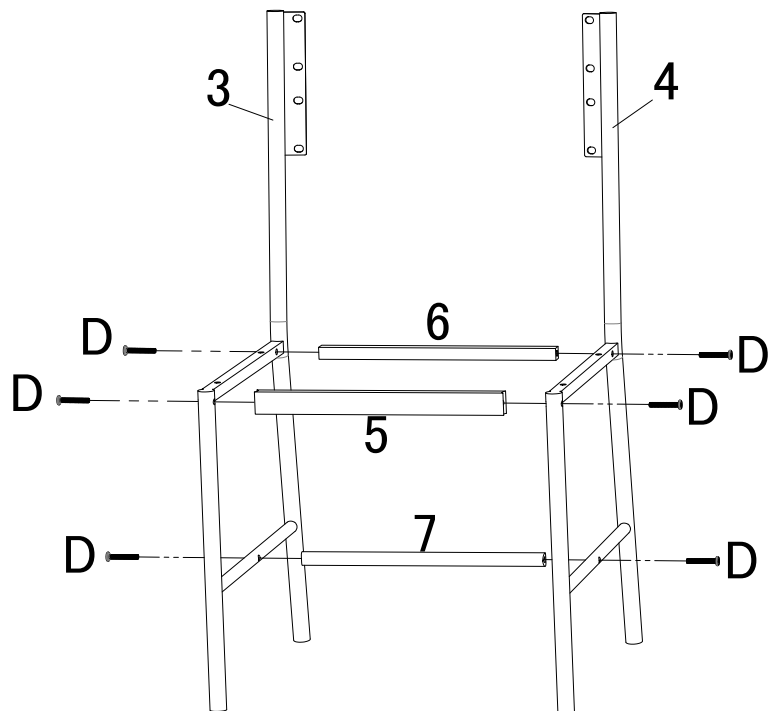
**Please don't tighten the screws completely
and go back later for a final tightening of all the
screws after pieces are aligned with each other.**

Assembly Instructions



<p>1</p>  <p>2pcs</p>	<p>2</p>  <p>4pcs</p>	<p>3</p>  <p>2pcs</p>	<p>4</p>  <p>2pcs</p>		
<p>5</p>  <p>2pcs</p>	<p>6</p>  <p>2pcs</p>	<p>7</p>  <p>2pcs</p>	<p>8</p>  <p>1pc</p>	<p>9</p>  <p>2pcs</p>	
<p>10</p>  <p>2pcs</p>	<p>11</p>  <p>1pc</p>	<p>12</p>  <p>2pcs</p>	<p>13</p>  <p>1pc</p>	<p>14</p>  <p>2pcs</p>	
<p>A</p>  <p>M6*12mm</p> <p>28pcs</p>	<p>B</p>  <p>M6*25mm</p> <p>4pcs</p>	<p>C</p>  <p>M6*32mm</p> <p>16pcs</p>	<p>D</p>  <p>M6*40mm</p> <p>12pcs</p>	<p>E</p>  <p>M6*45mm</p> <p>4pcs</p>	<p>F</p>  <p>1pc</p>

1

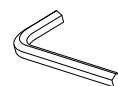


D M6*40mm Screw



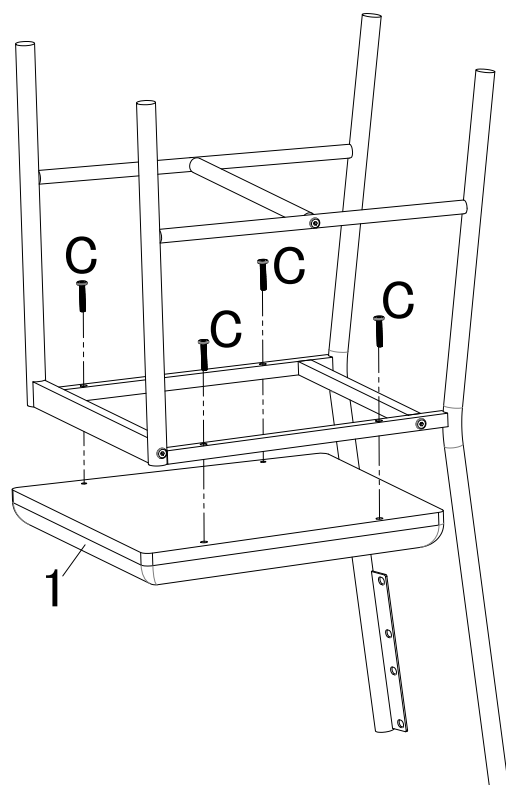
12PCS

F



X2

2

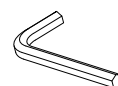


C M6*32mm Screw



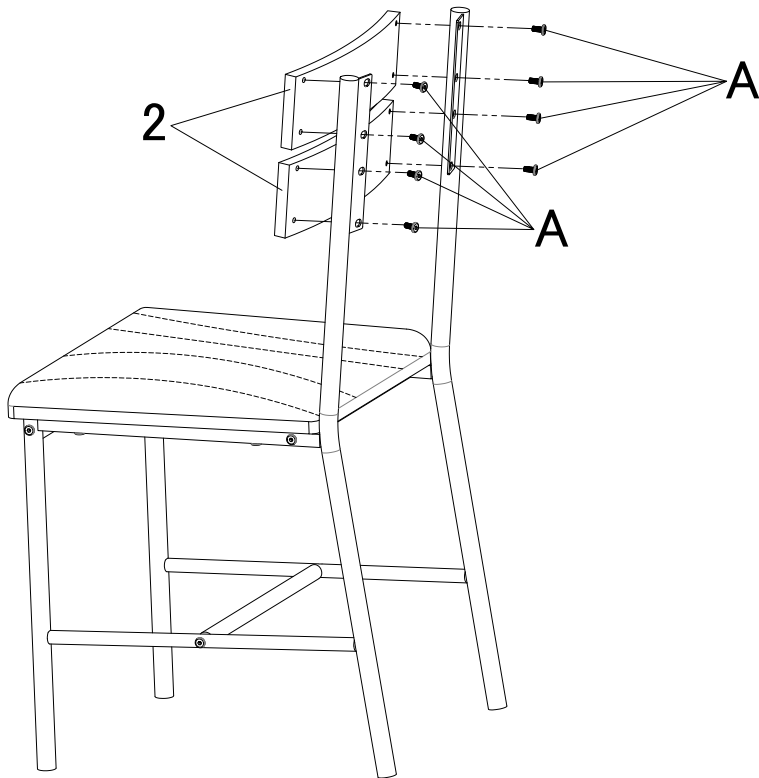
8PCS

F

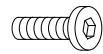


X2

3

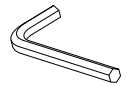


A M6*12mm Screw



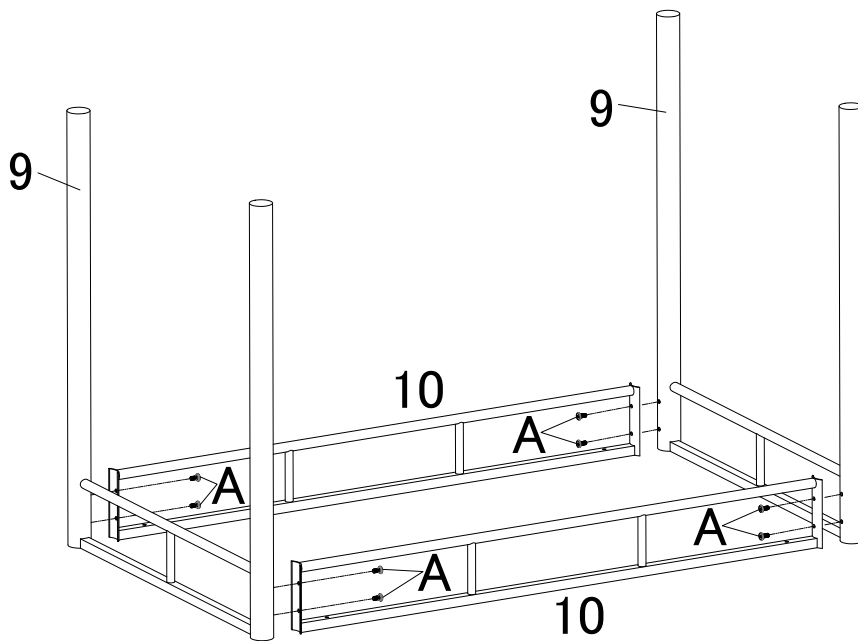
16PCS

F

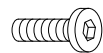


X2

4

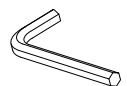


A M6*12mm Screw

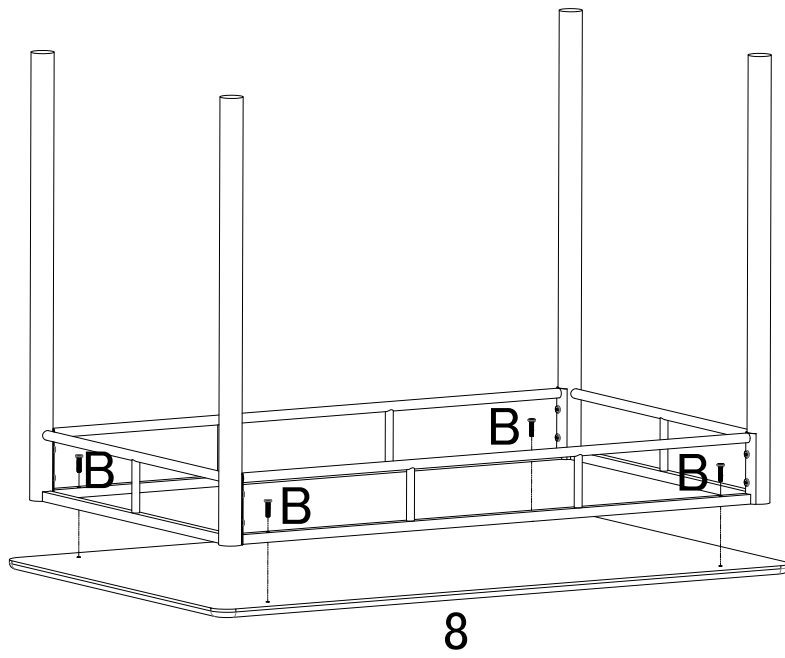


8PCS

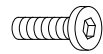
F



5

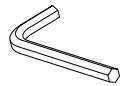


B M6*25mm Screw

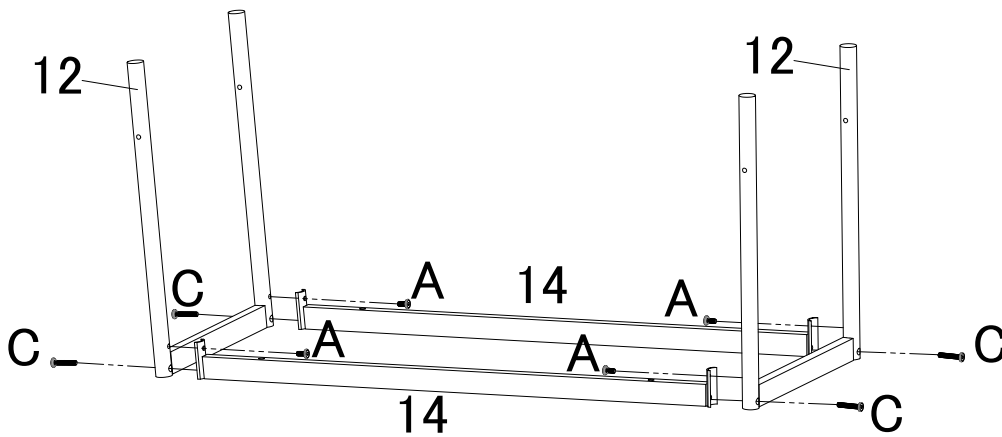


4PCS

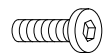
F



6

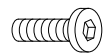


A M6*12mm Screw



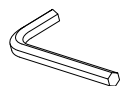
4PCS

C M6*32mm Screw

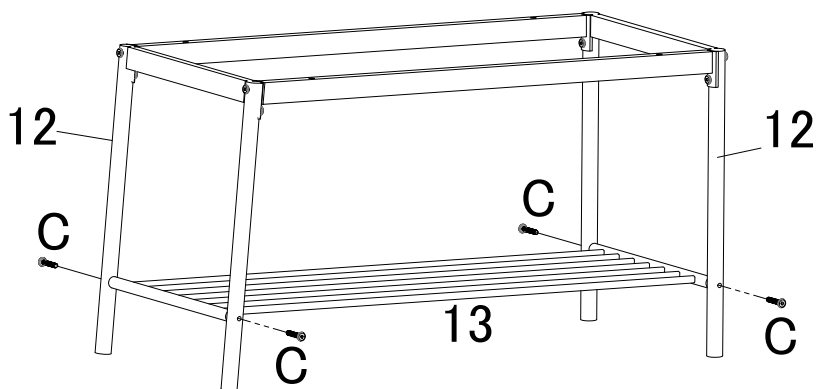


4PCS

F



7

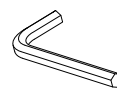


C M6*32mm Screw

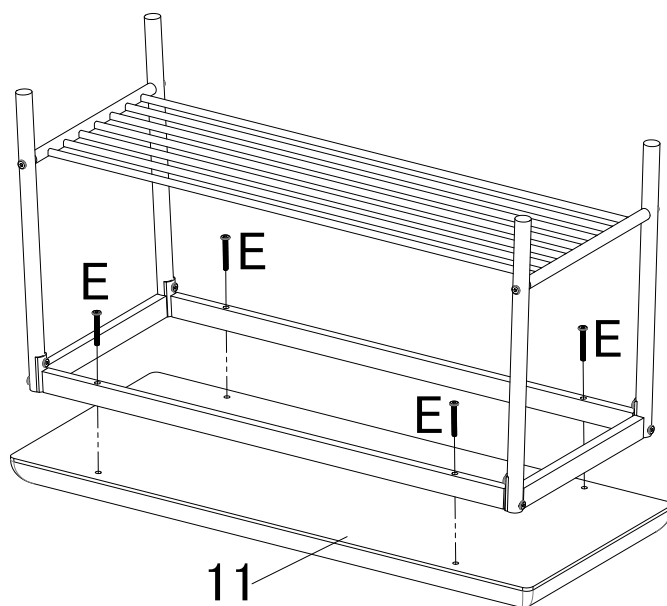


4PCS

F



8



E M6*45mm Screw



4PCS

F

