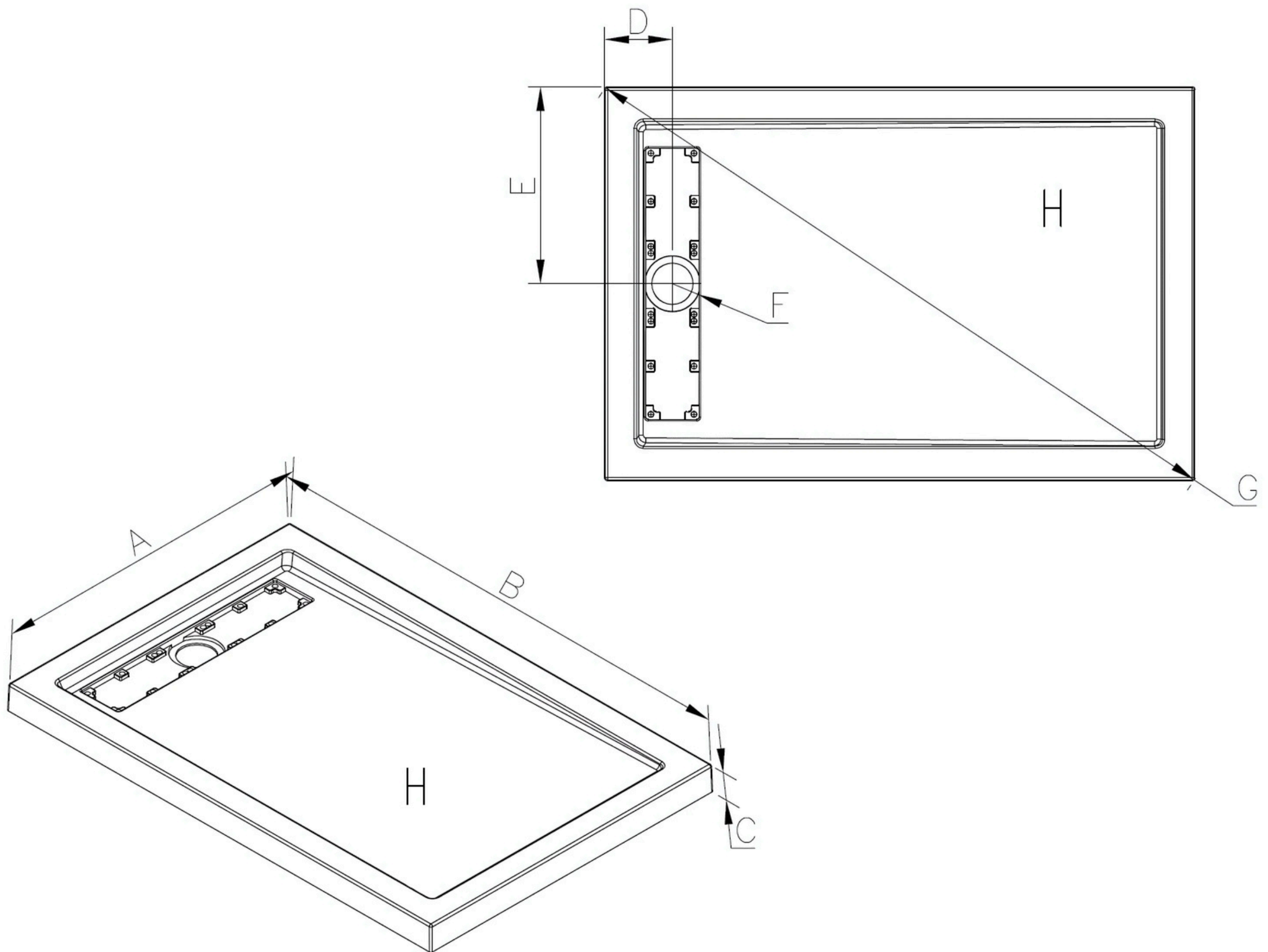


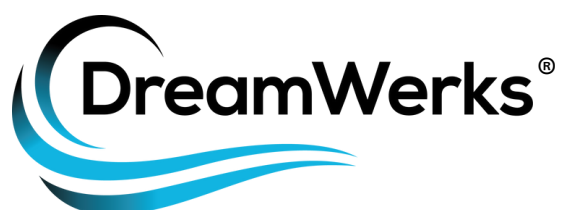
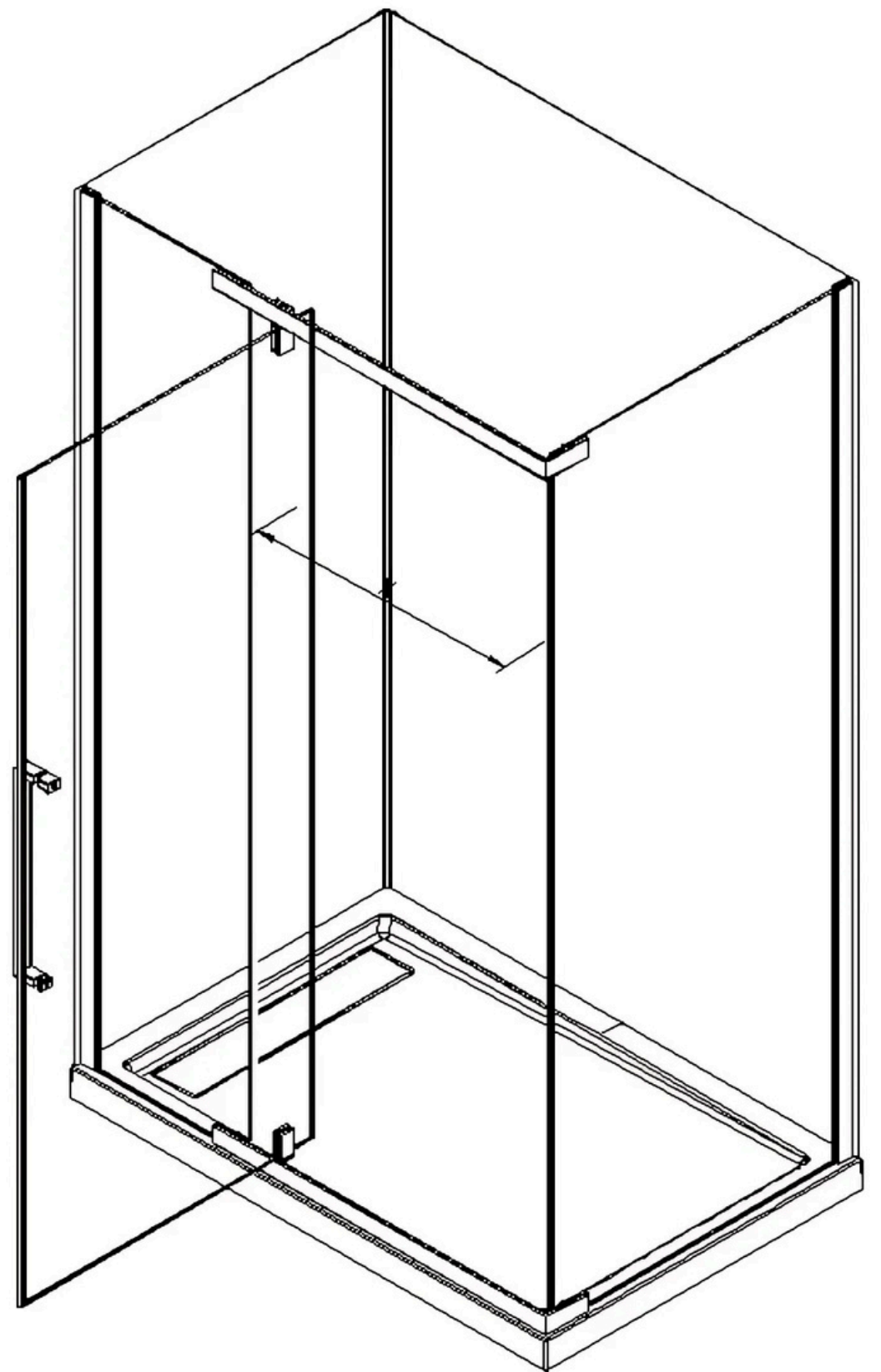
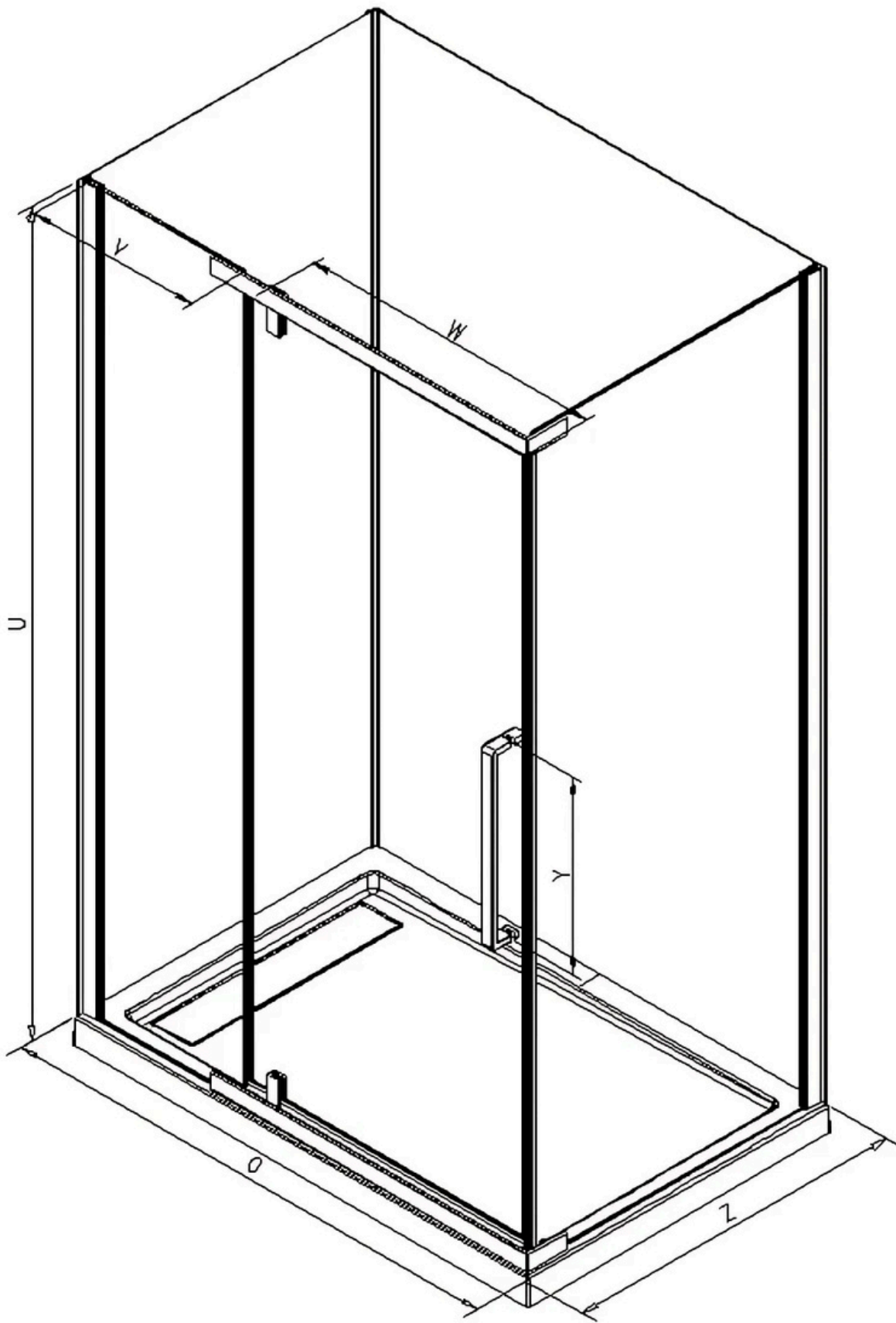
York Shower Kit Measurements

| # | Measurements - base | 32"x48" Rectangular |
|---|-----------------------------------|---------------------|
| A | Shower base depth (front to back) | 32" |
| B | Shower base height (side to side) | 48" |
| C | Threshold height (Without flange) | 2-5/8" |
| D | Shower base depth (side to side) | 5-1/2" |
| E | Drain distance from the corner | 16" |
| F | Drain opening diameter | 3-3/8" |
| G | Base edge length (maximum) | 57-1/2" |
| H | Finished surface area | 10.66 sq. ft |



York Shower Kit Measurements

| # | Measurements - unit | 48"x 32" Rectangular |
|---|---|----------------------|
| O | Shower width (side to side) (wall track to wall track) | 46-3/4" |
| Z | Shower width (front to back) (wall track to wall track) | 30-5/8" |
| U | Shower height | 76" |
| V | Fixed panel width | 16" |
| W | Door panel width | 29-1/4" |
| X | Door opening | 26-1/8" |
| Y | Distance between handle holes | 17-3/4" |



Copyright © 2005 - 2024 Dreamwerks. All rights reserved.

For more information, contact Dreamwerks at +1-888-266-7976 or support@dreamwerks.com. Visit dreamwerks.com for full product details.

All product specifications and measurements are approximate. Actual products may vary slightly. Specifications are subject to change without notice.

Please refer to the product manual or website for the latest updates.