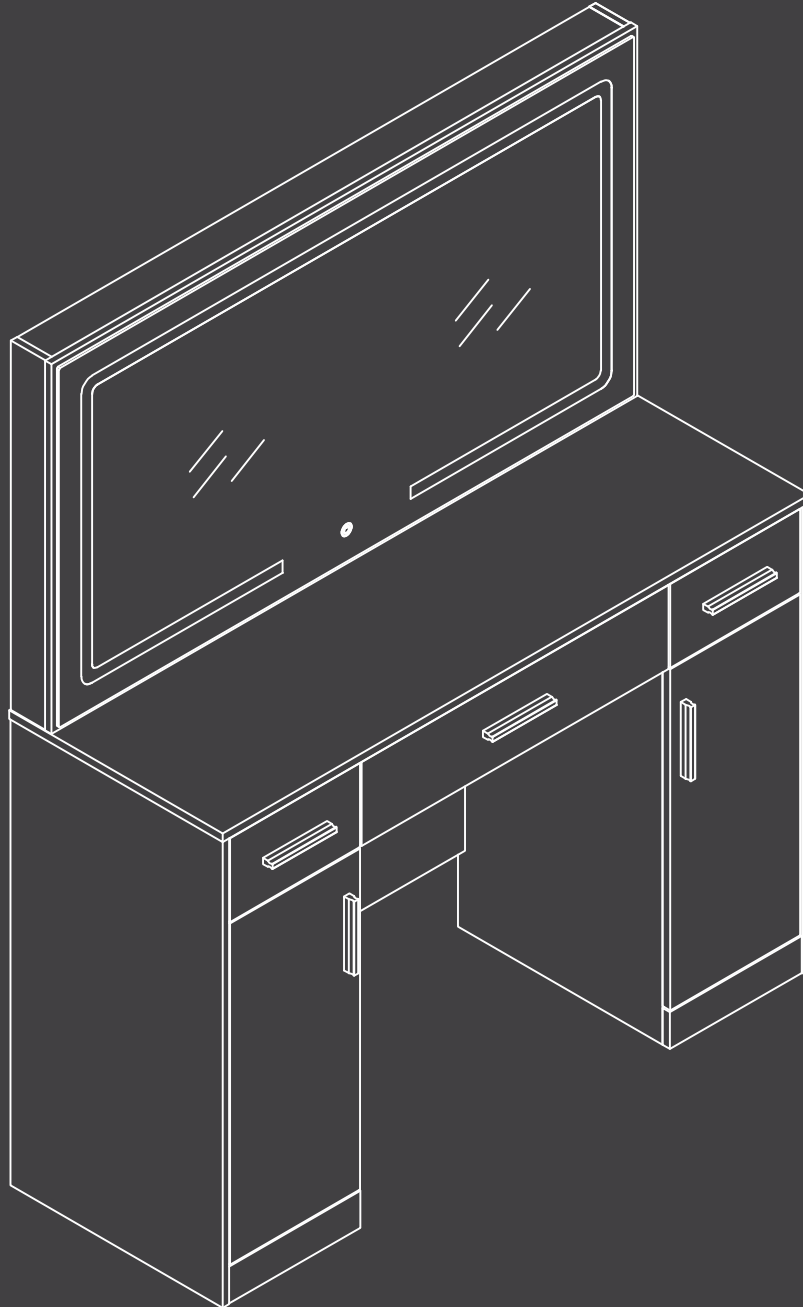


Vanity Desk

Instruction Manual

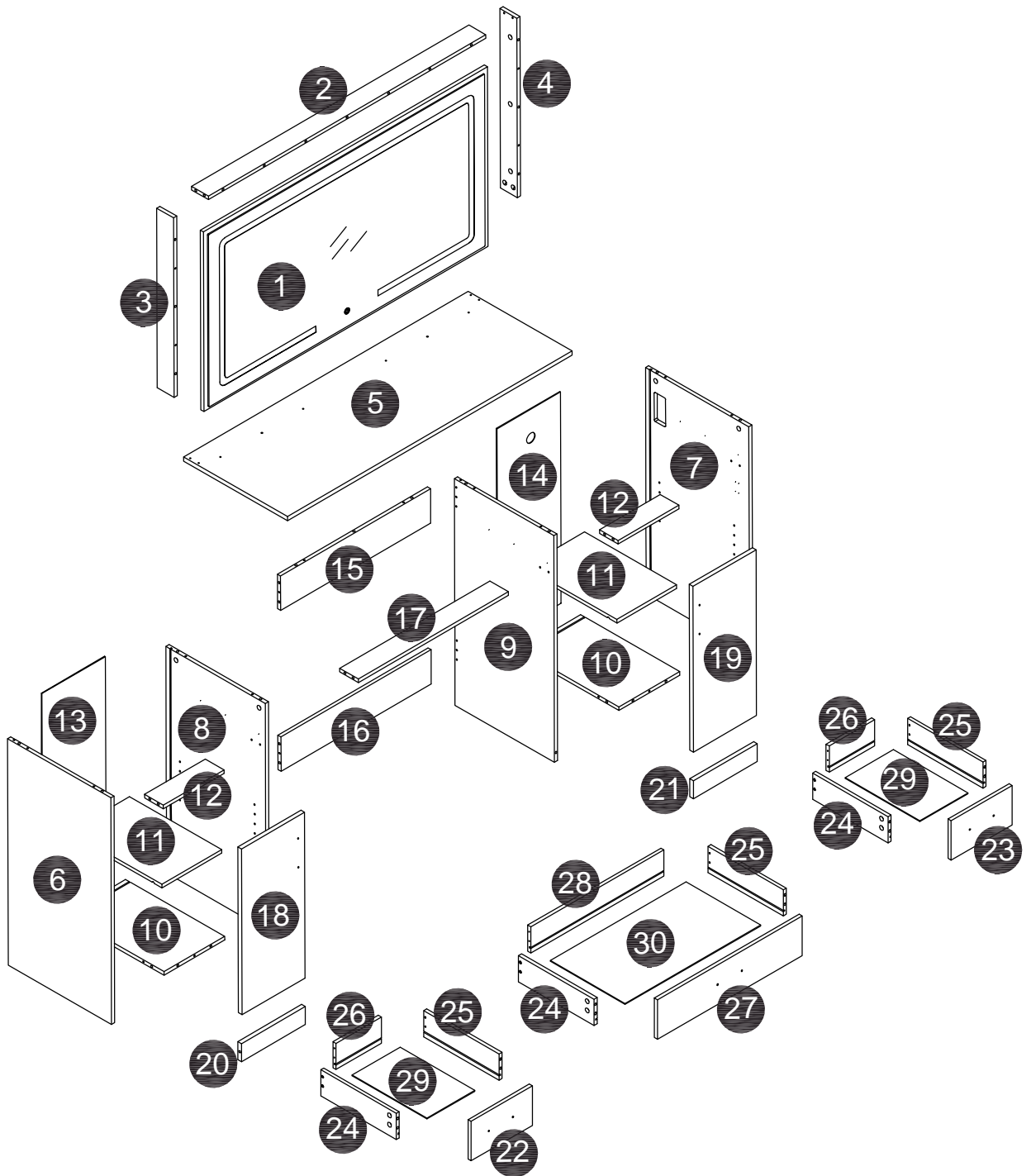
FB-SZT3CJM-WT



 EST 9:00AM--17:00PM

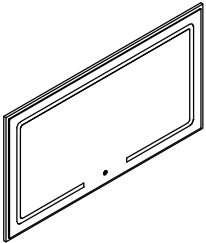
 HJ-Customer-Service@outlook.com

 (909)637-7665 | (909)637-7593

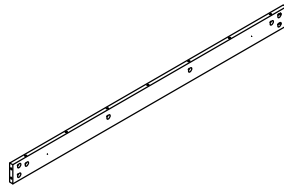


1 Component List

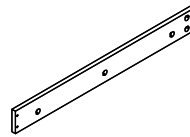
1 X1



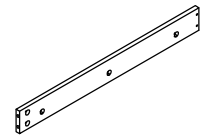
2 X1



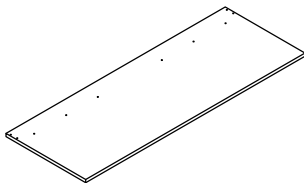
3 X1



4 X1



5 X1



6 X1



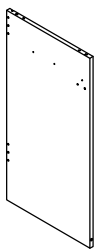
7 X1



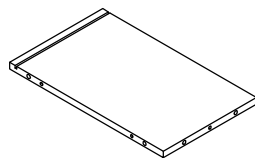
8 X1



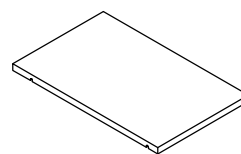
9 X1



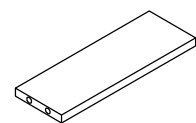
10 X2



11 X2



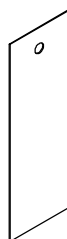
12 X2



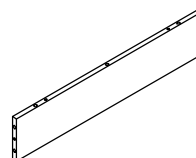
13 X1



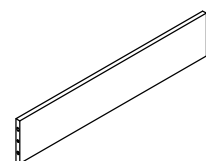
14 X1



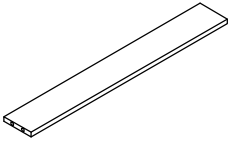
15 X1



16 X1



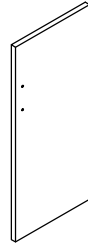
17 X1



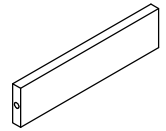
18 X1



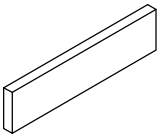
19 X1



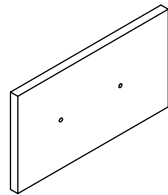
20 X1



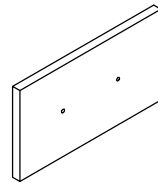
21 X1



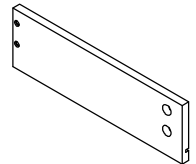
22 X1



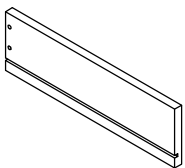
23 X1



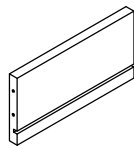
24 X3



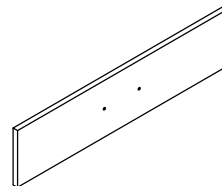
25 X3



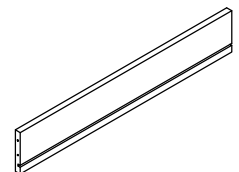
26 X2



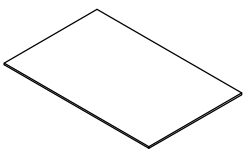
27 X1



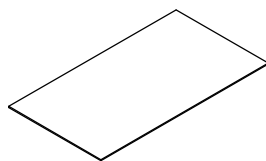
28 X1



29 X2



30 X1



2 Supplied Parts and Hardware

A X81+2



Ø6x34mm

B X81+2



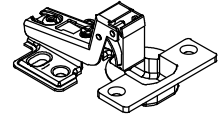
Ø15x9.5mm

C X33+2



Ø6x30mm

D X4



Ø35mm

E X24+1



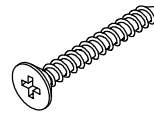
Nickel color
Ø3.5x12mm

F X38+2



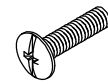
Ø3.5x12mm

G X12+1



Ø4*30mm

H X6



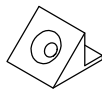
Ø5/32"x15mm

I X4



Ø4x15mm

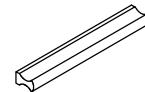
L X8



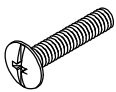
M X8



N X5

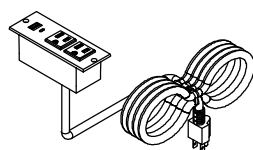


O X4

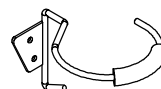


Ø5/32"x17mm

P X1



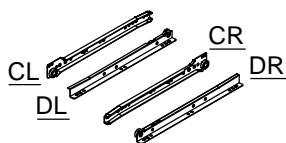
Q X1



R X1

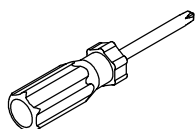


S X3SETS

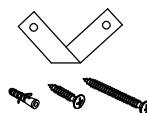


L300mm

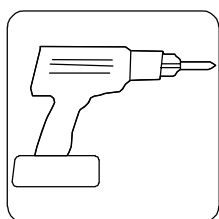
T X1



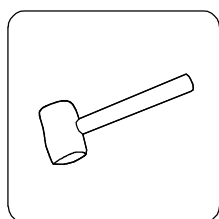
U X2SETS



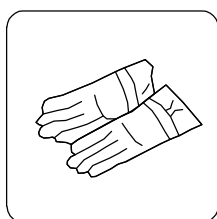
Please have the following auxiliary tools ready:
Bitte halten Sie folgende Hilfswerkzeuge bereit:
Veuillez préparer les outils auxiliaires suivants :
Si prega di avere pronti i seguenti strumenti ausiliari:
Por favor, tenga listas las siguientes herramientas auxiliares:



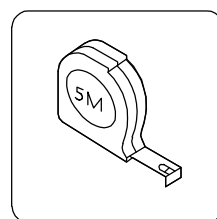
Electric Drill



Hammer



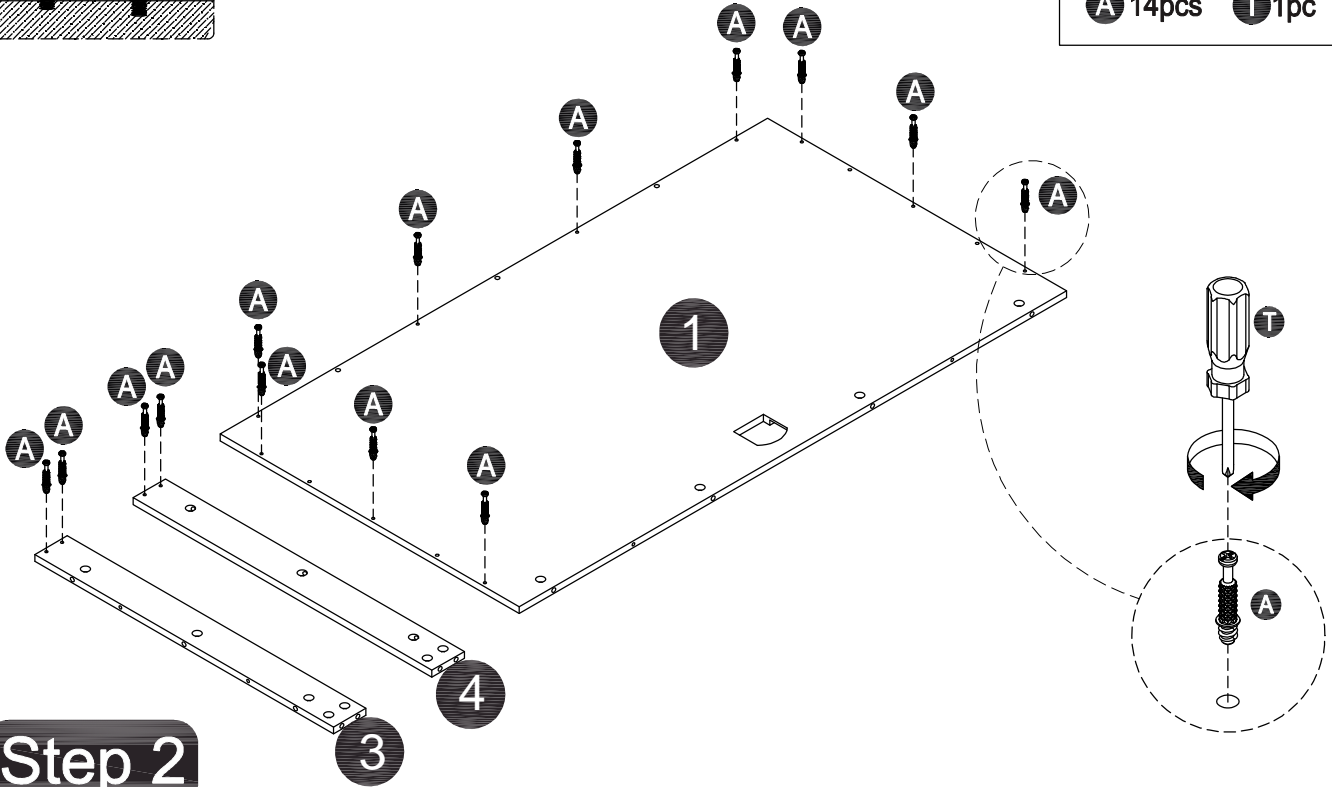
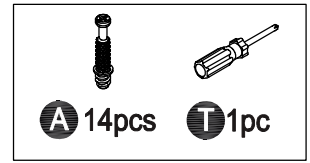
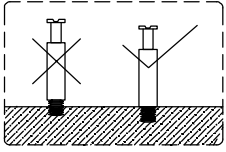
Gloves



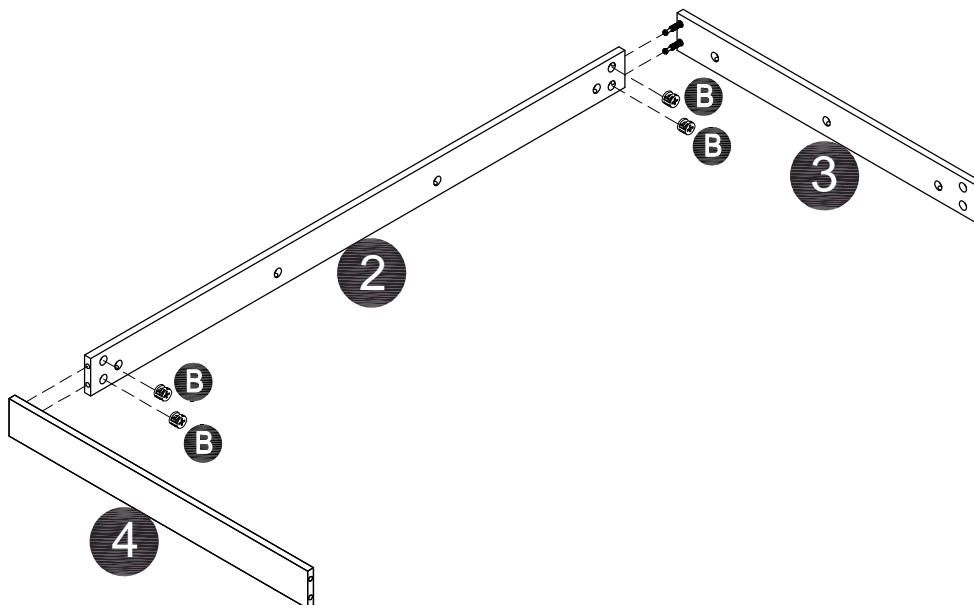
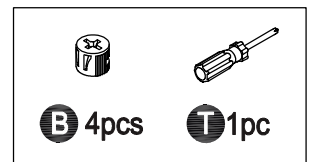
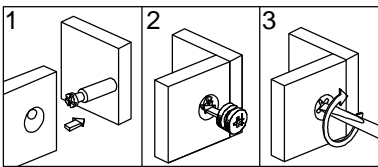
Tape Measure 5M

NOTE: This product requires at least two people for installation.

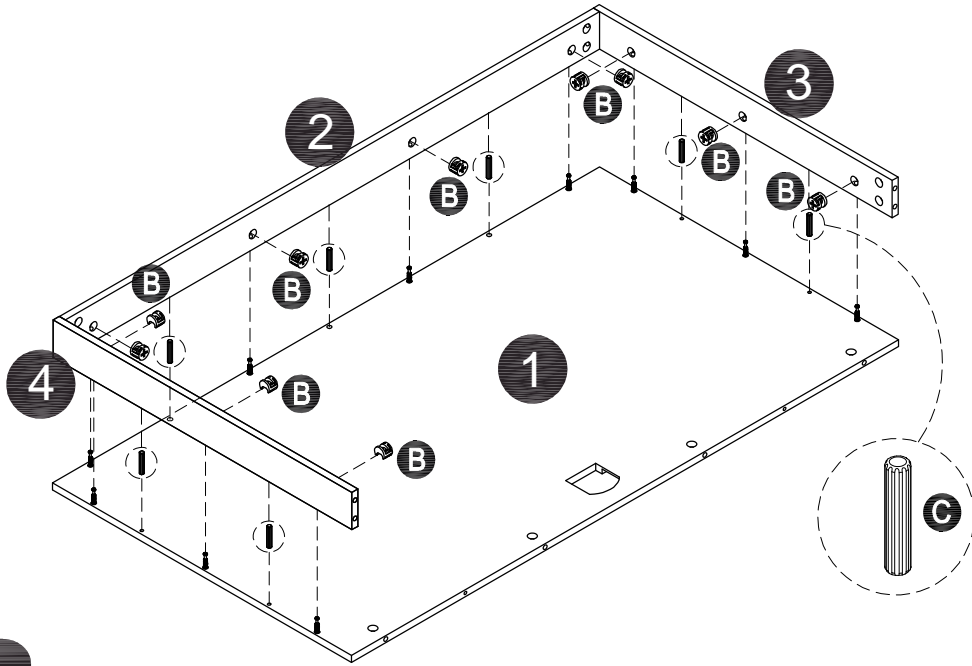
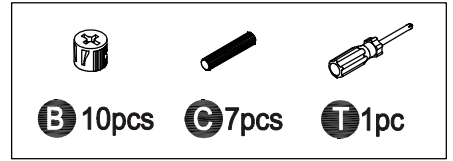
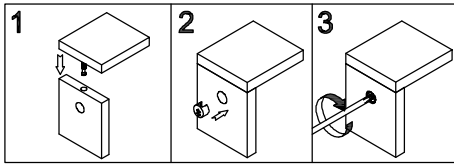
Step 1



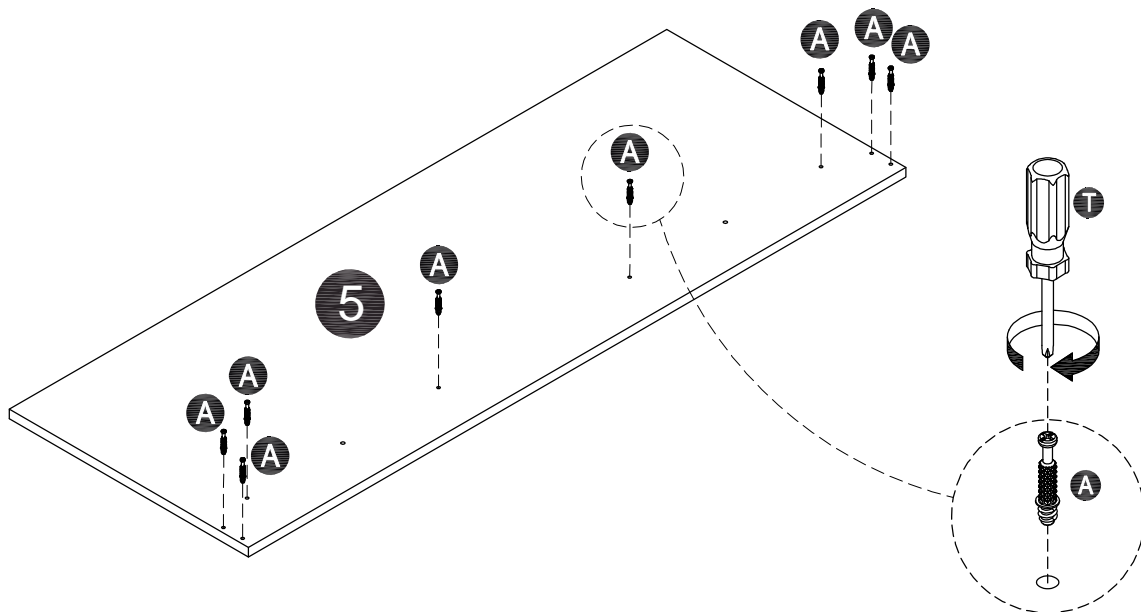
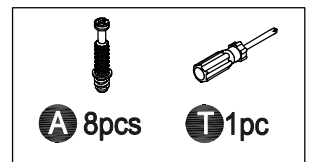
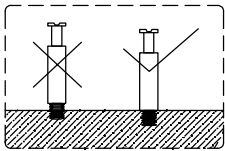
Step 2



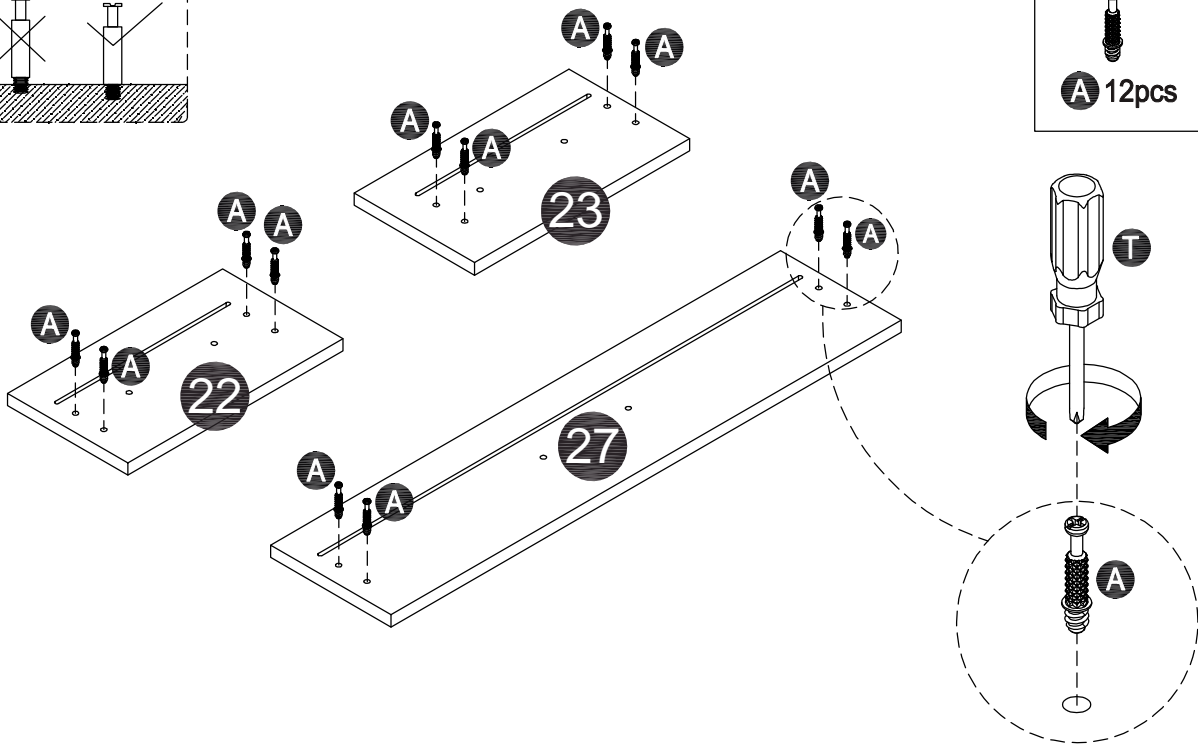
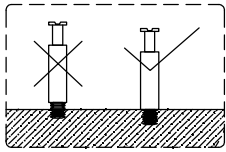
Step 3



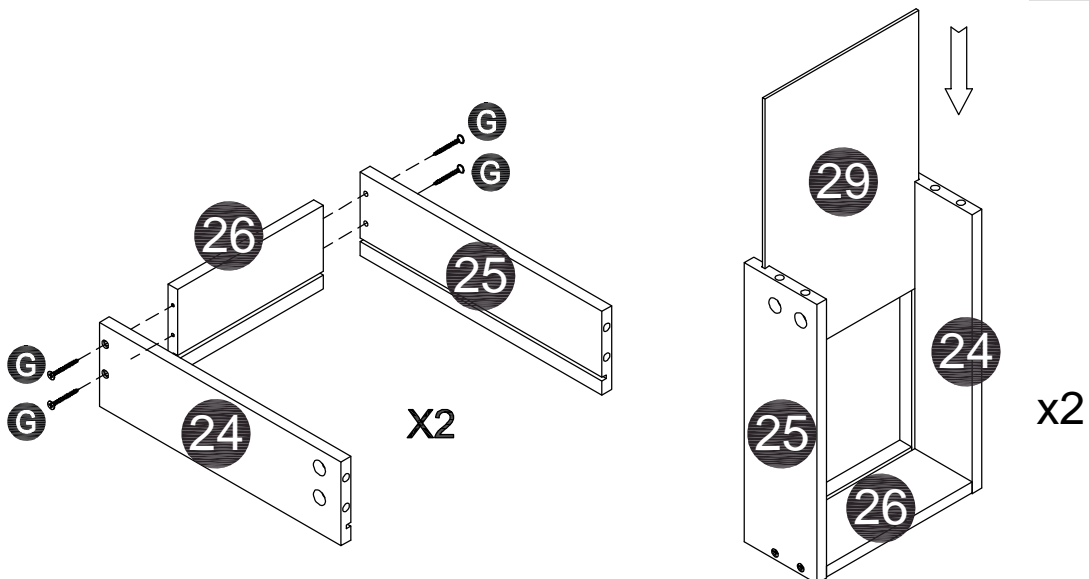
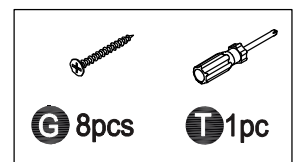
Step 4



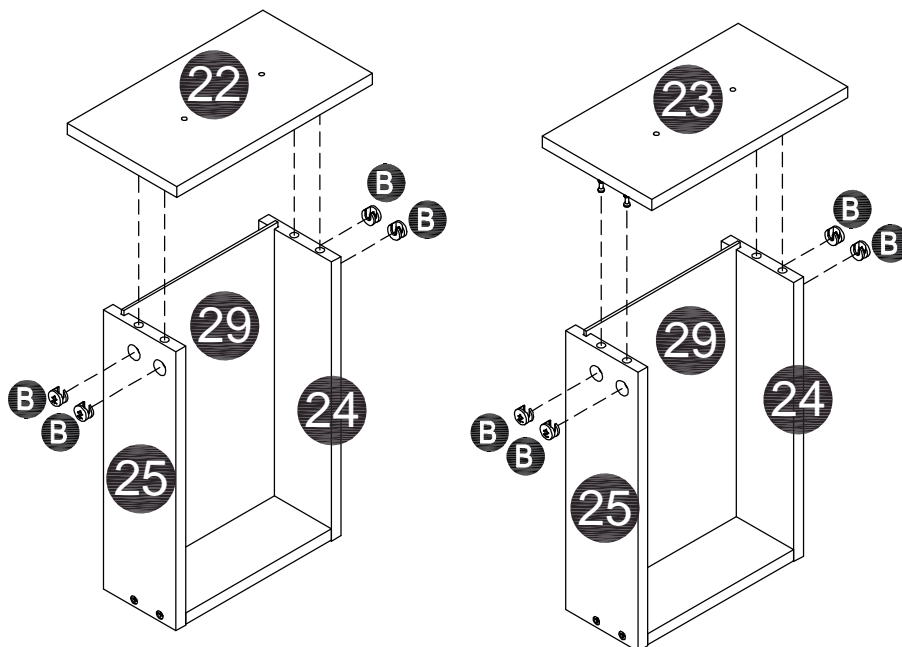
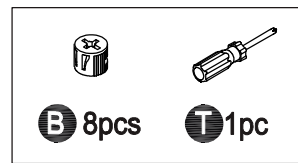
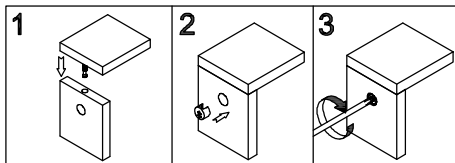
Step 7



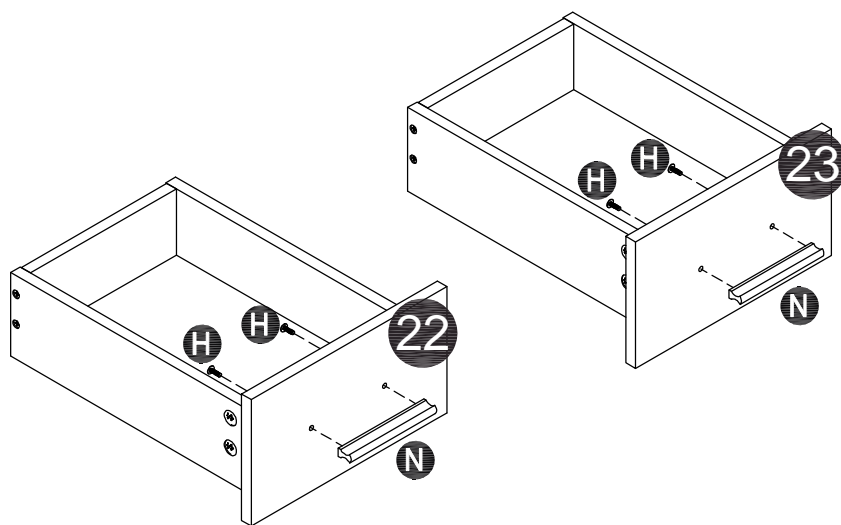
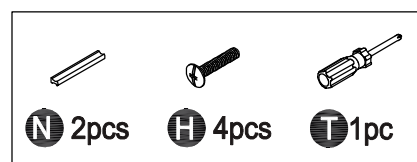
Step 8



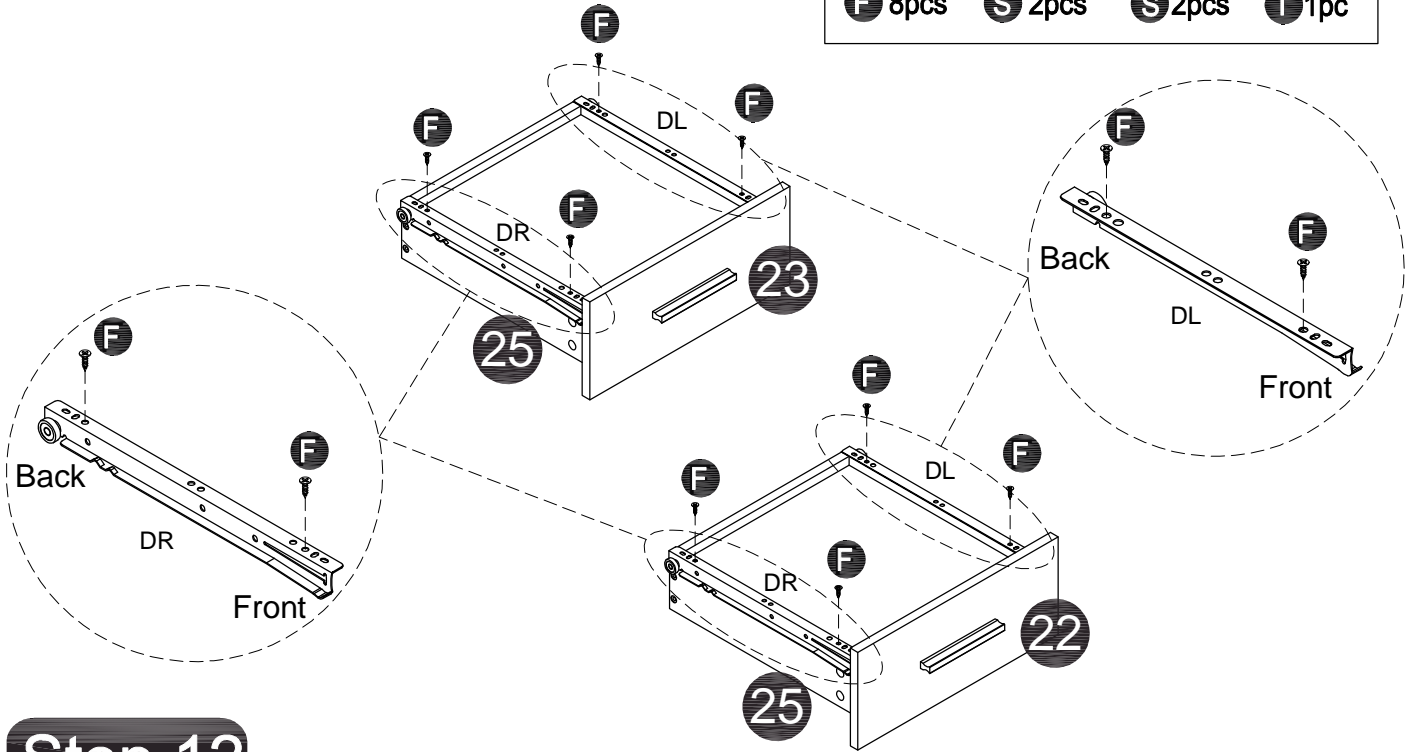
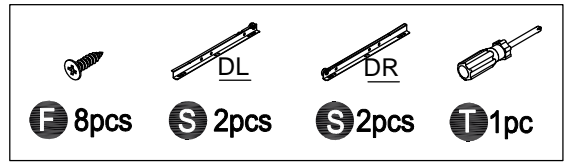
Step 9



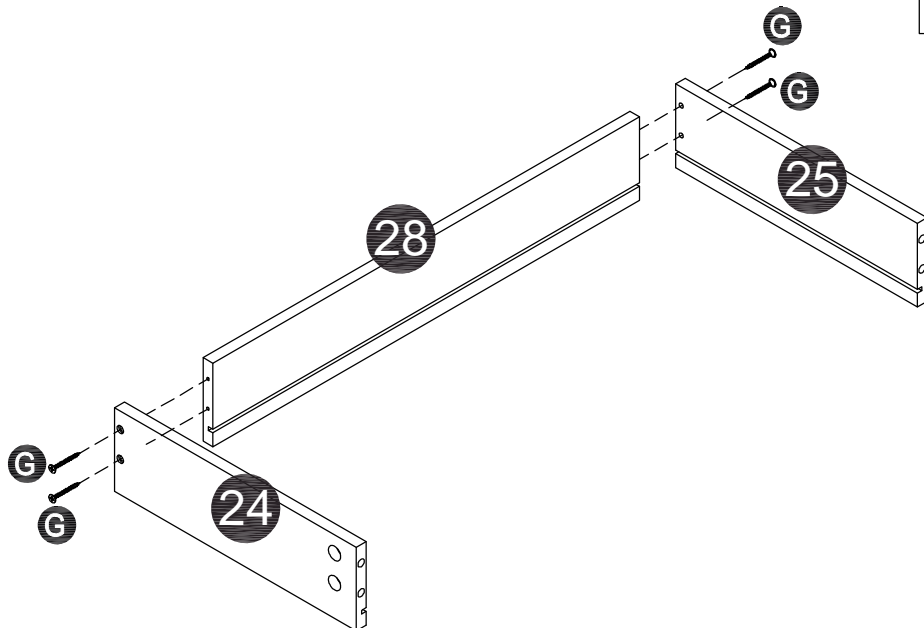
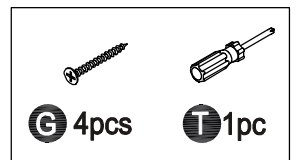
Step 10



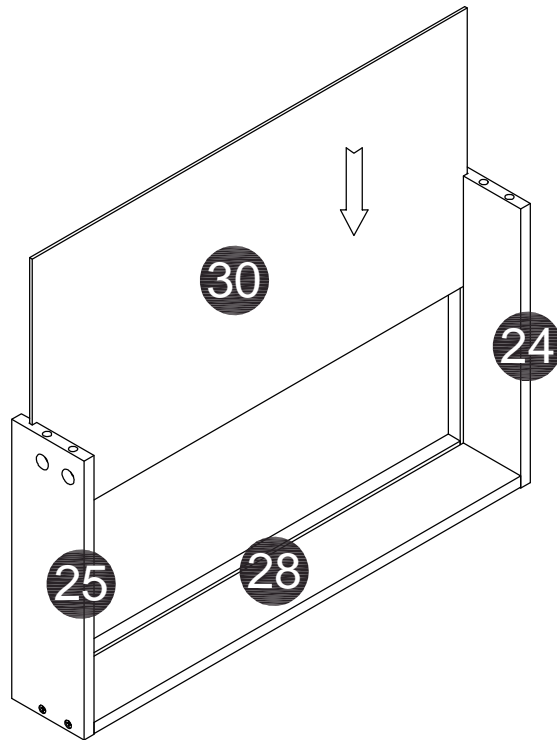
Step 11



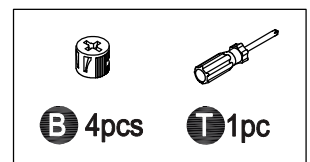
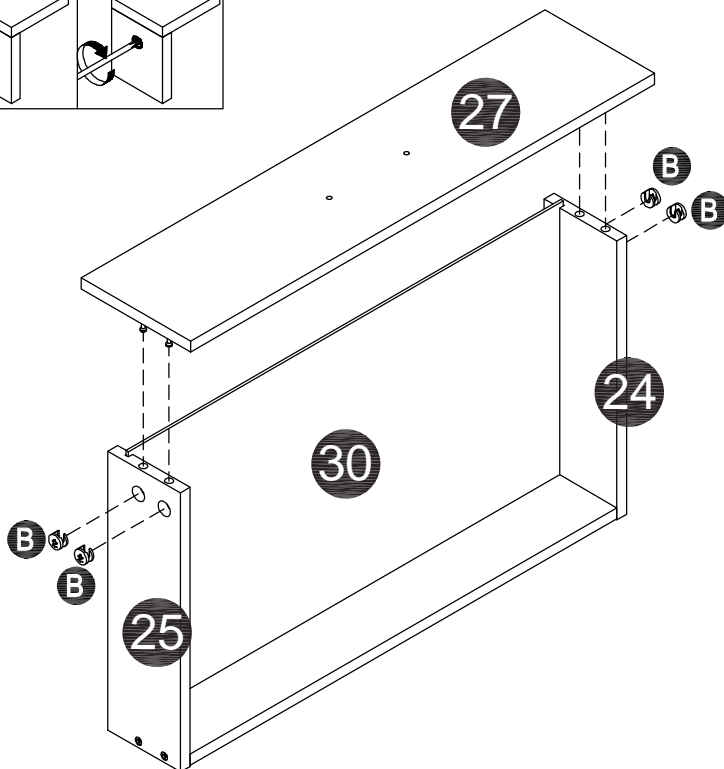
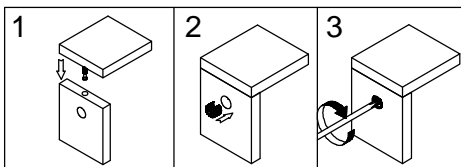
Step 12



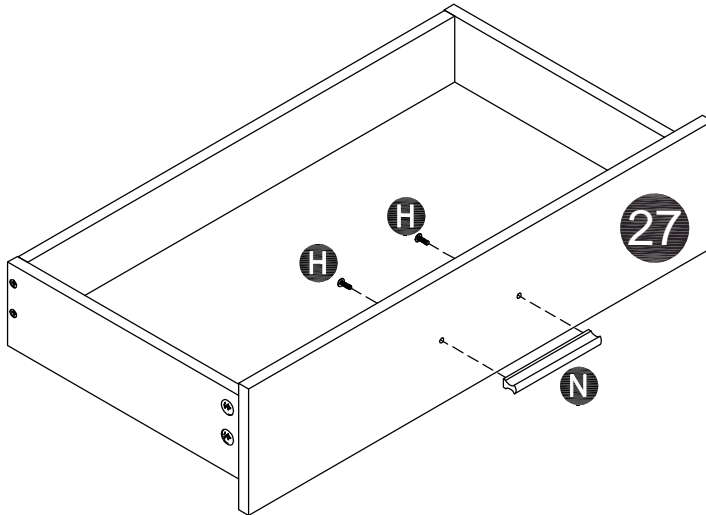
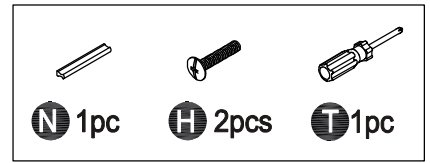
Step 13



Step 14

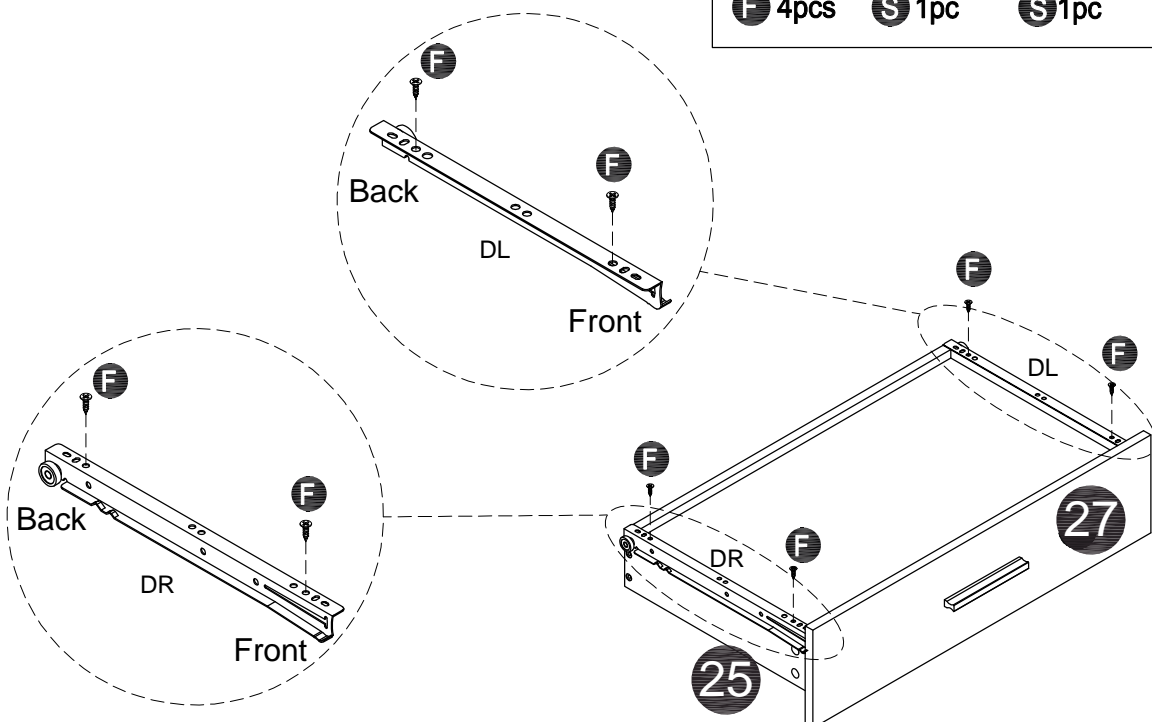
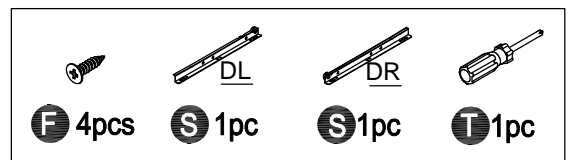


Step 15

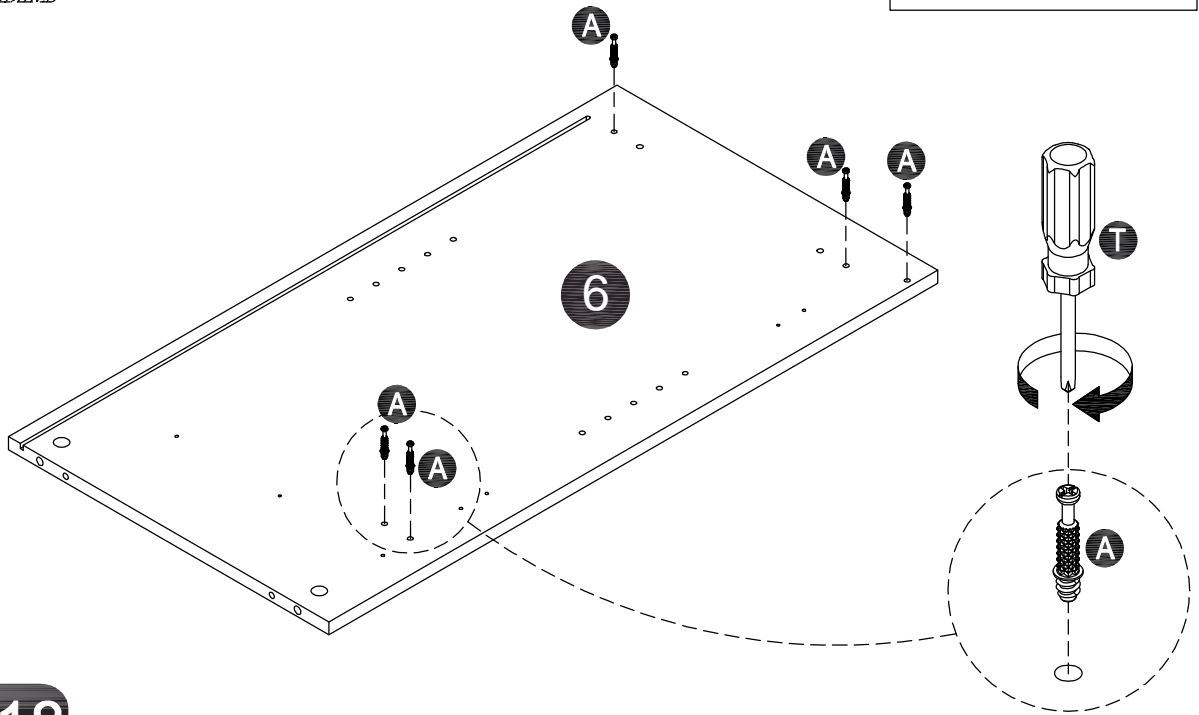
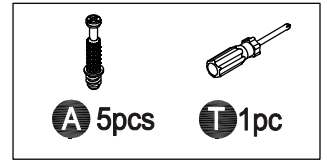
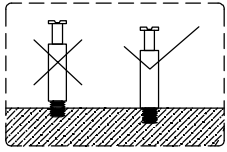


Step 16

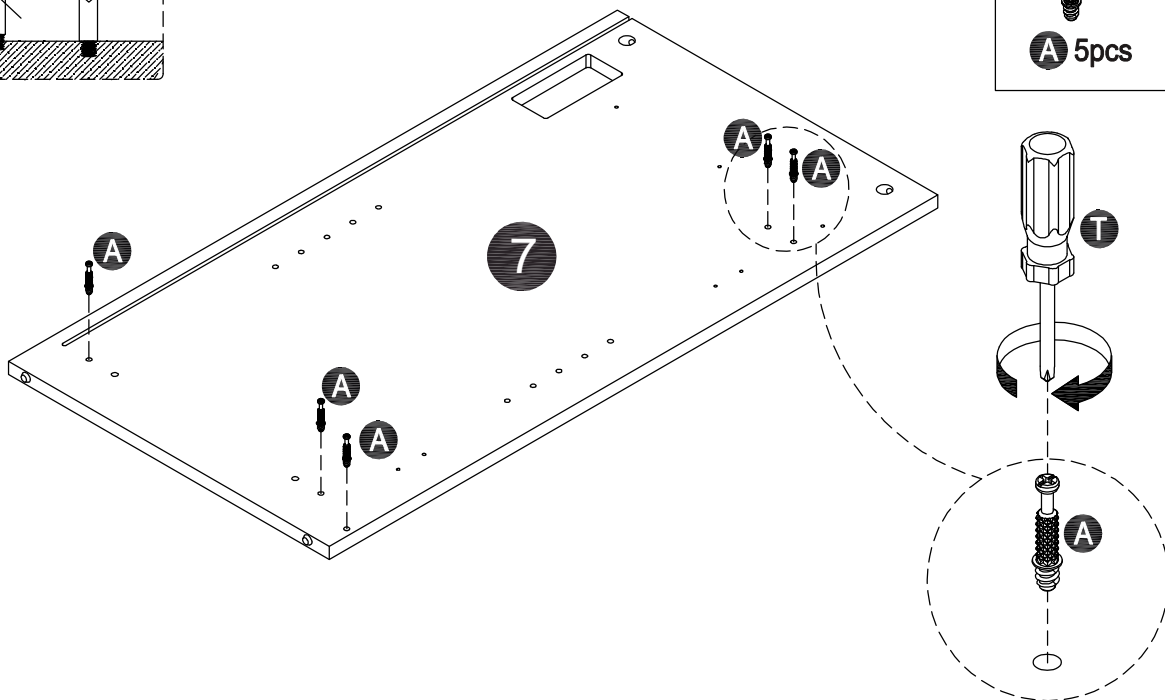
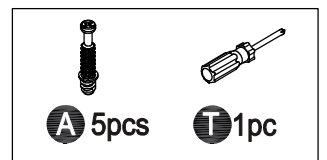
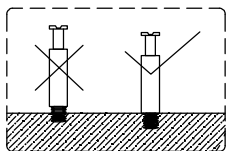
NOTE: Turn the drawer over.



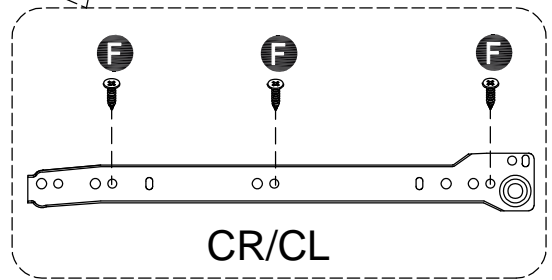
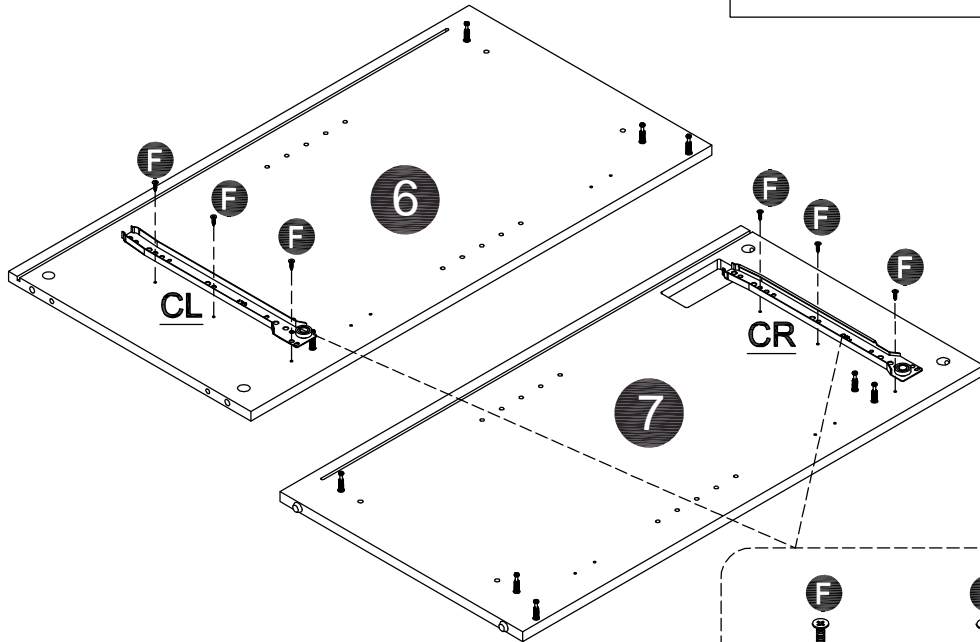
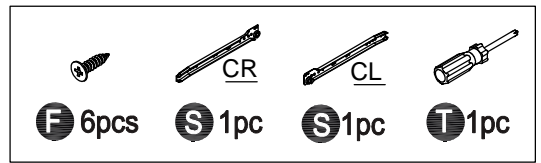
Step 17



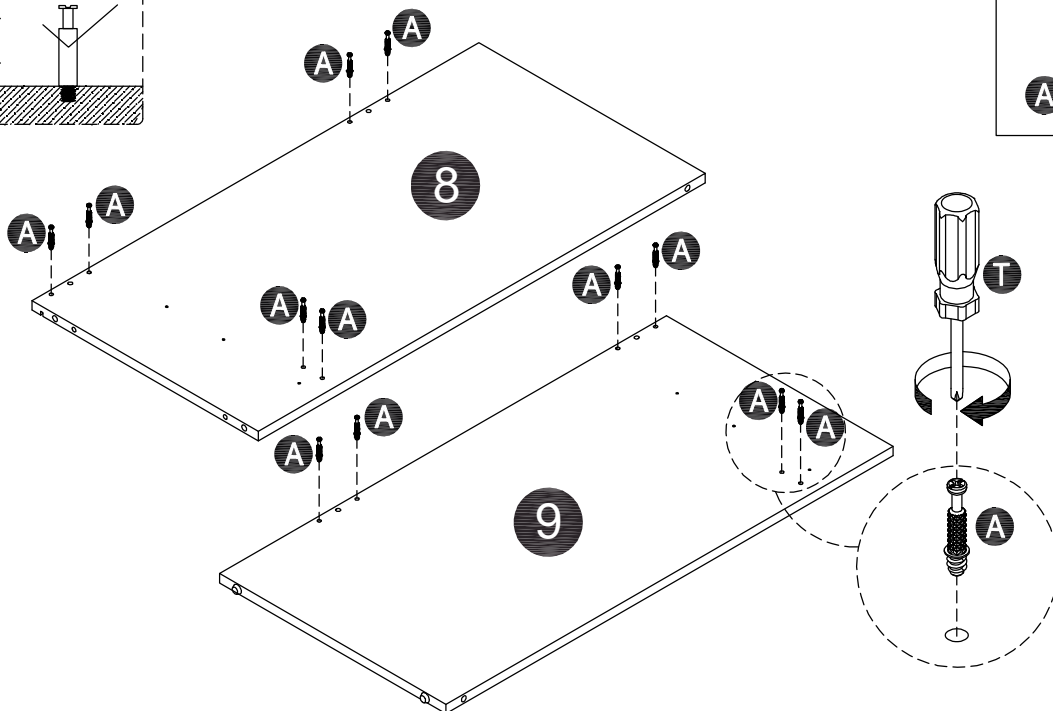
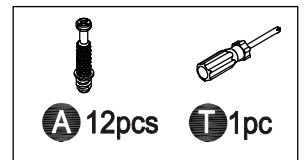
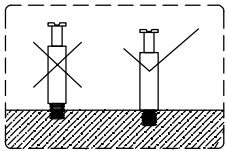
Step 18



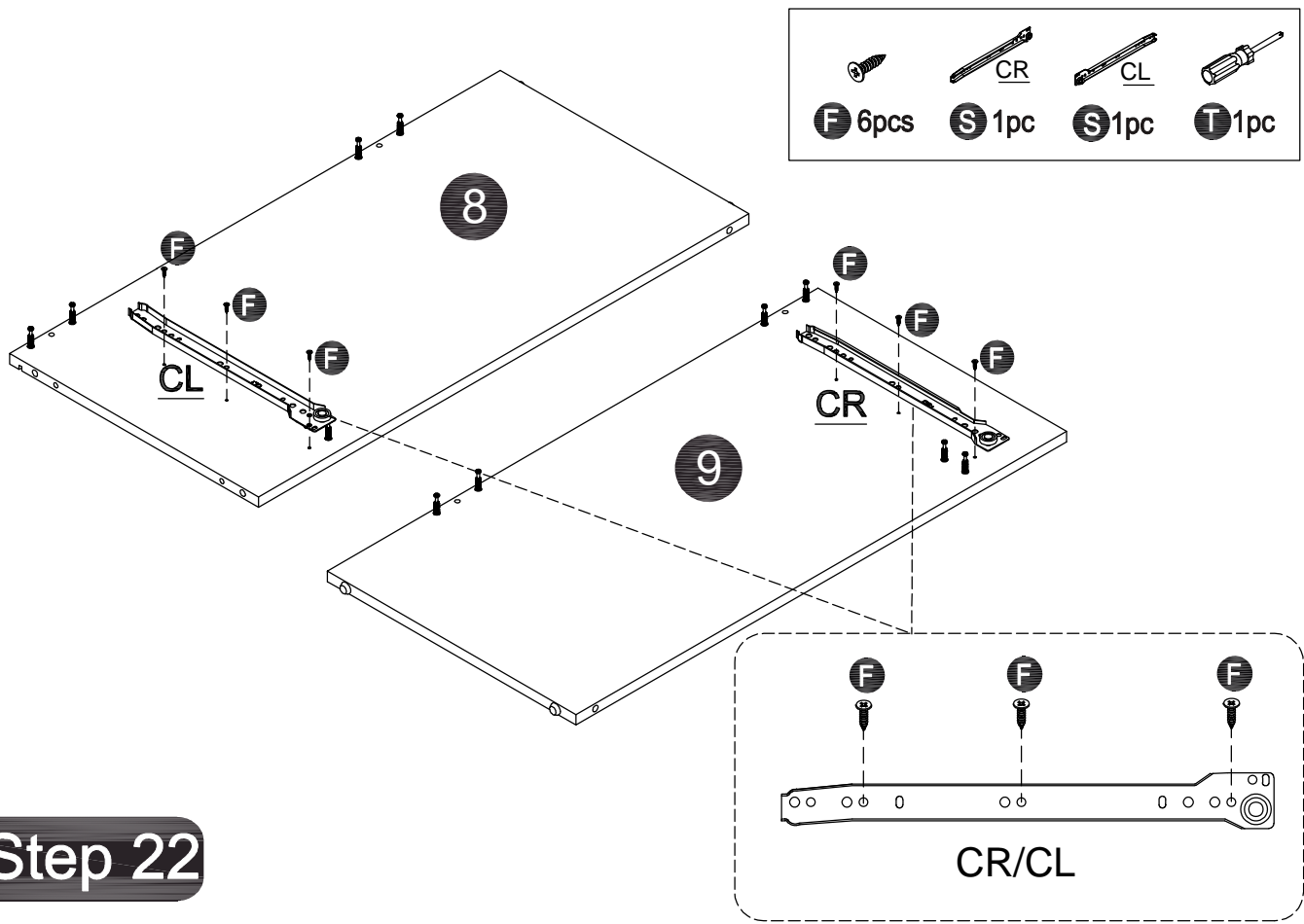
Step 19



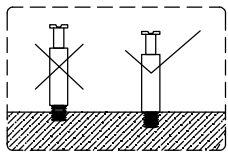
Step 20



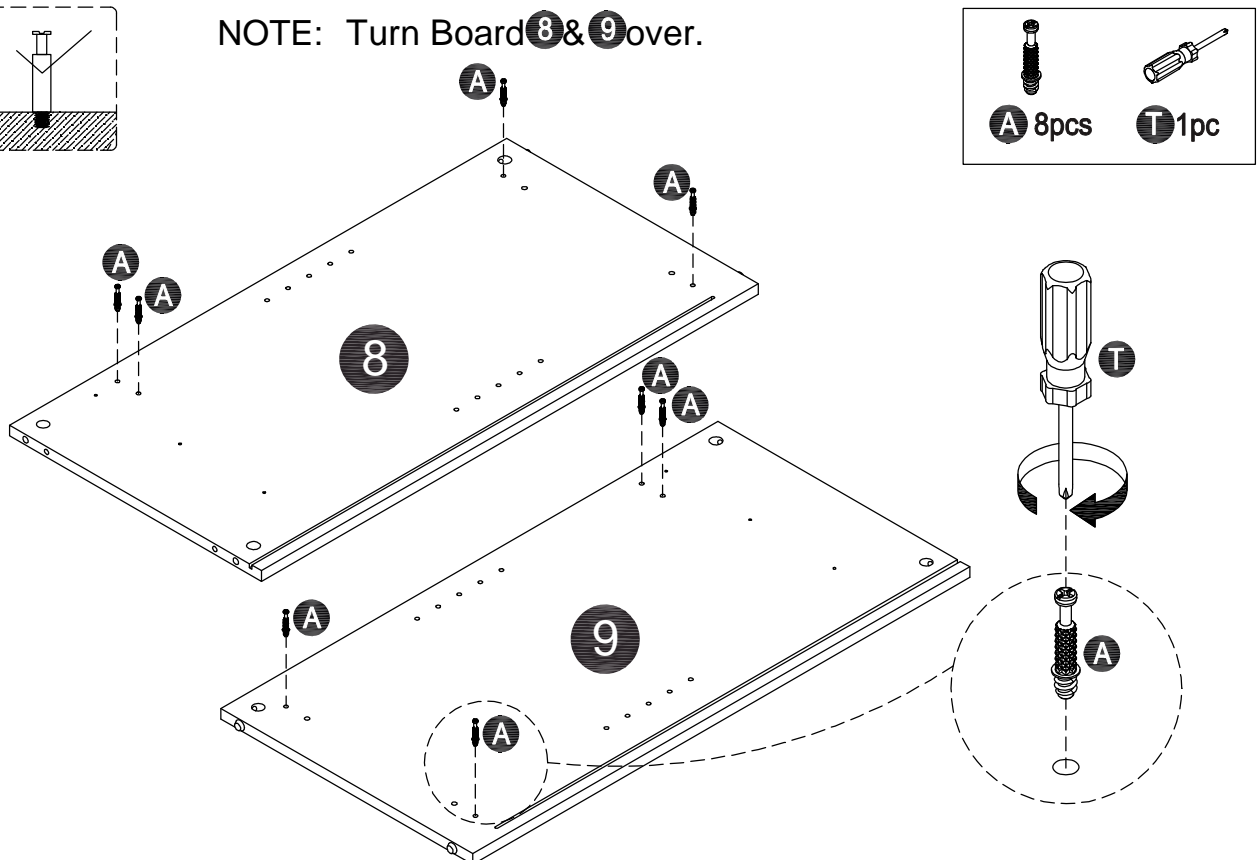
Step 21



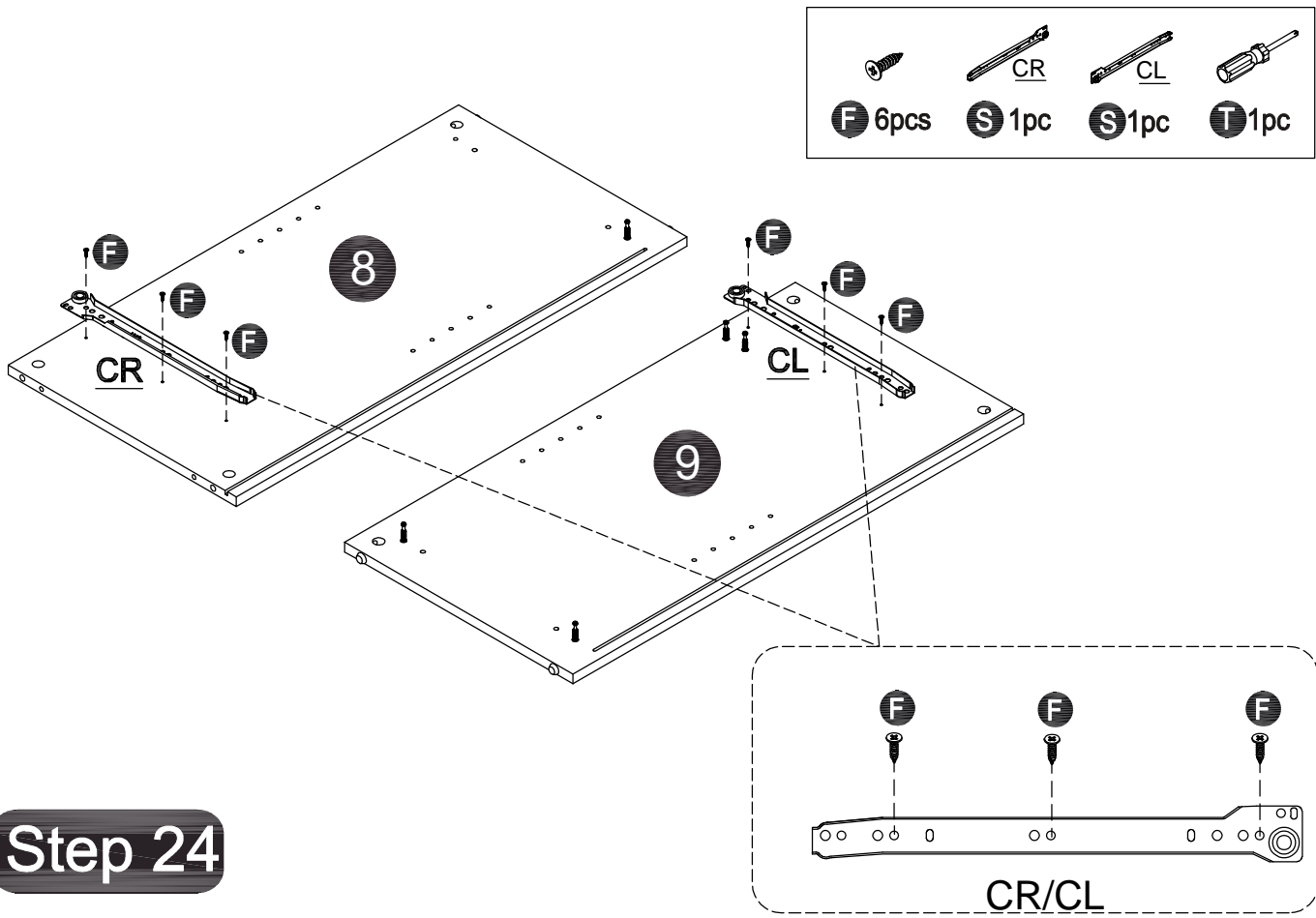
Step 22



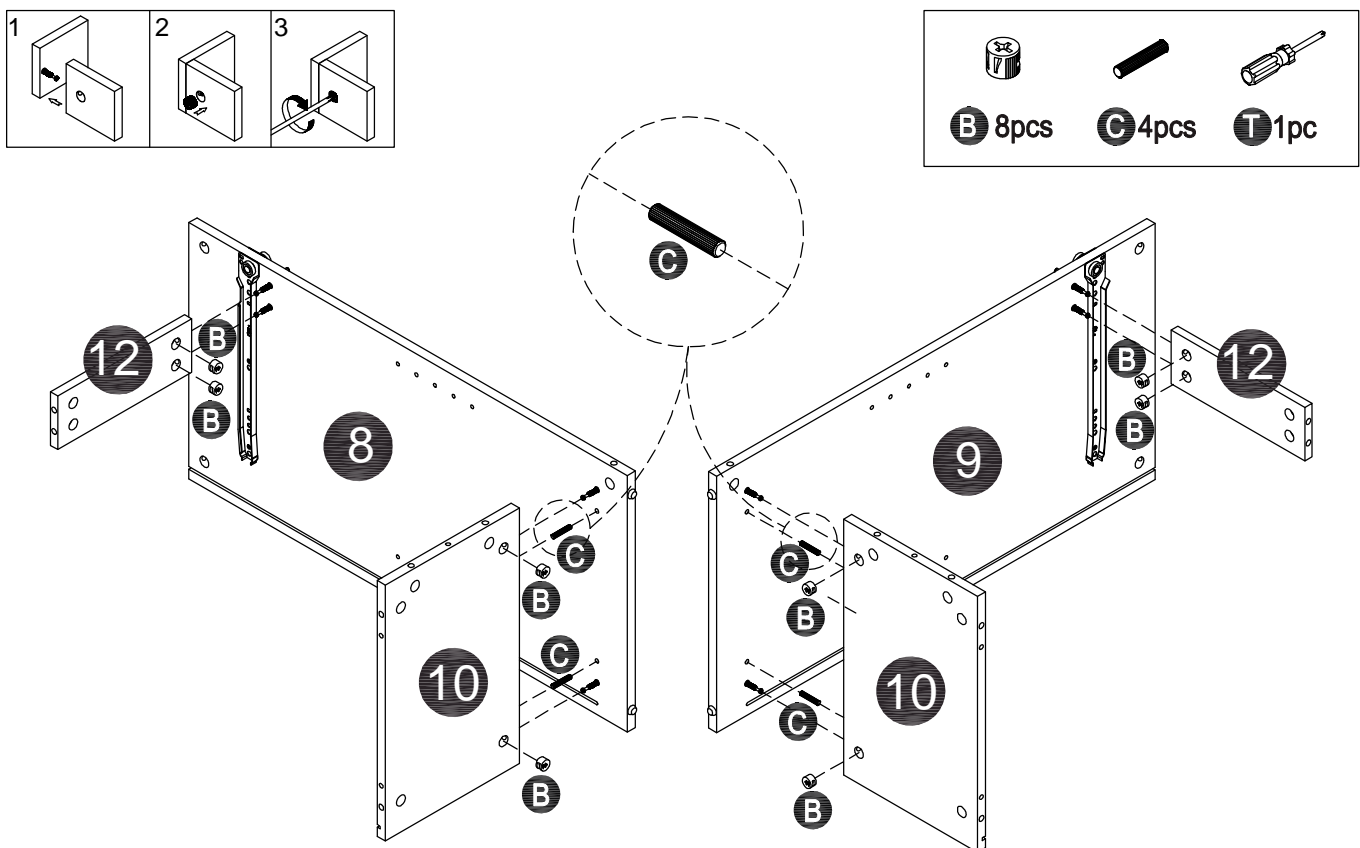
NOTE: Turn Board 8 & 9 over.



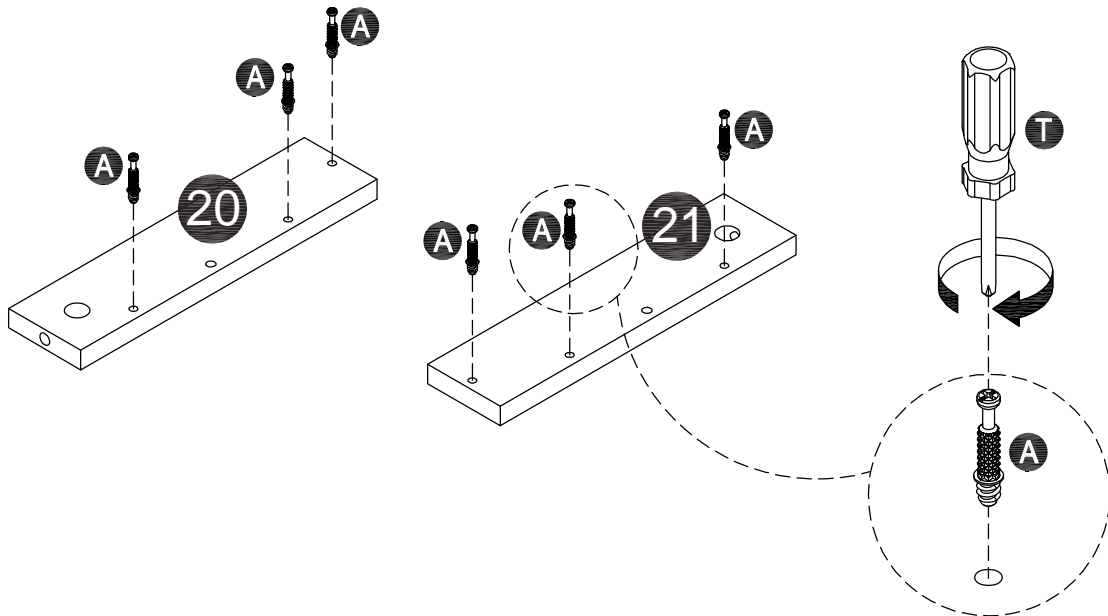
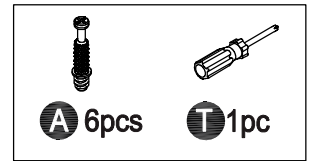
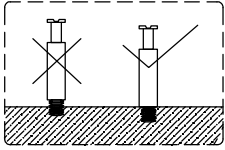
Step 23



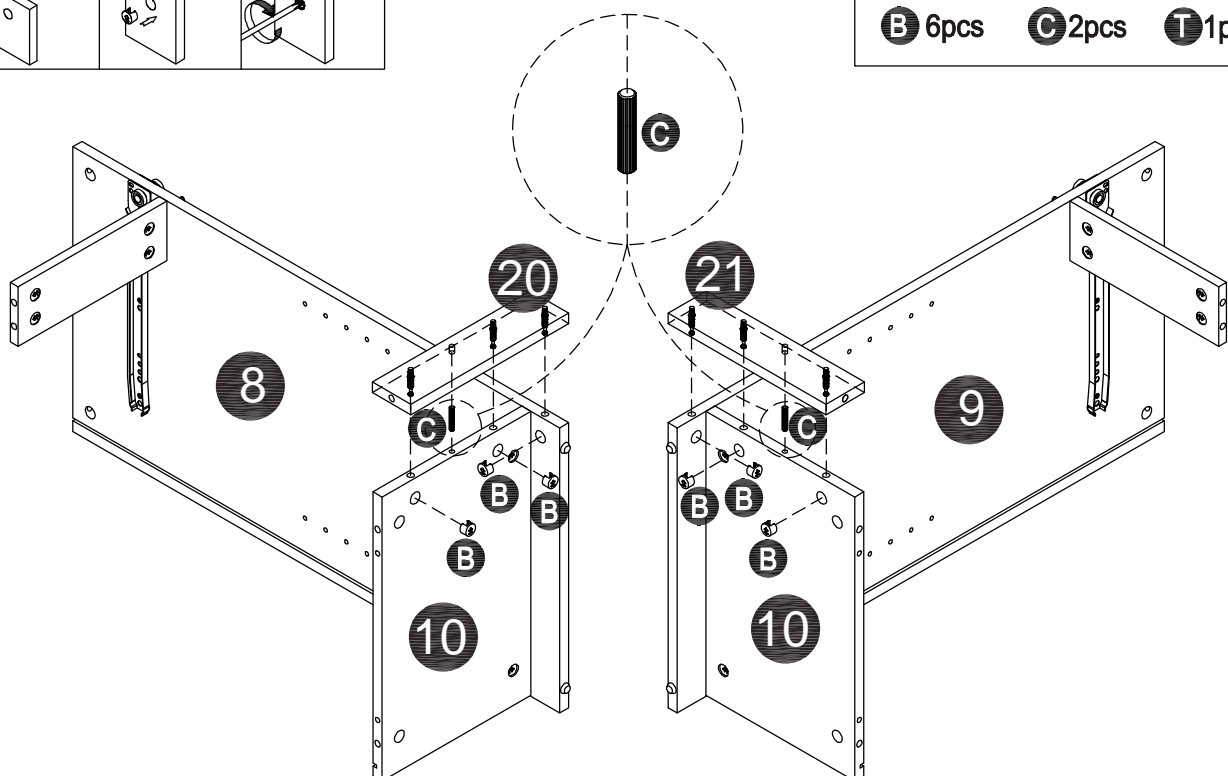
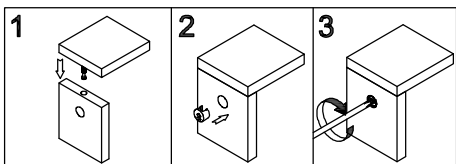
Step 24



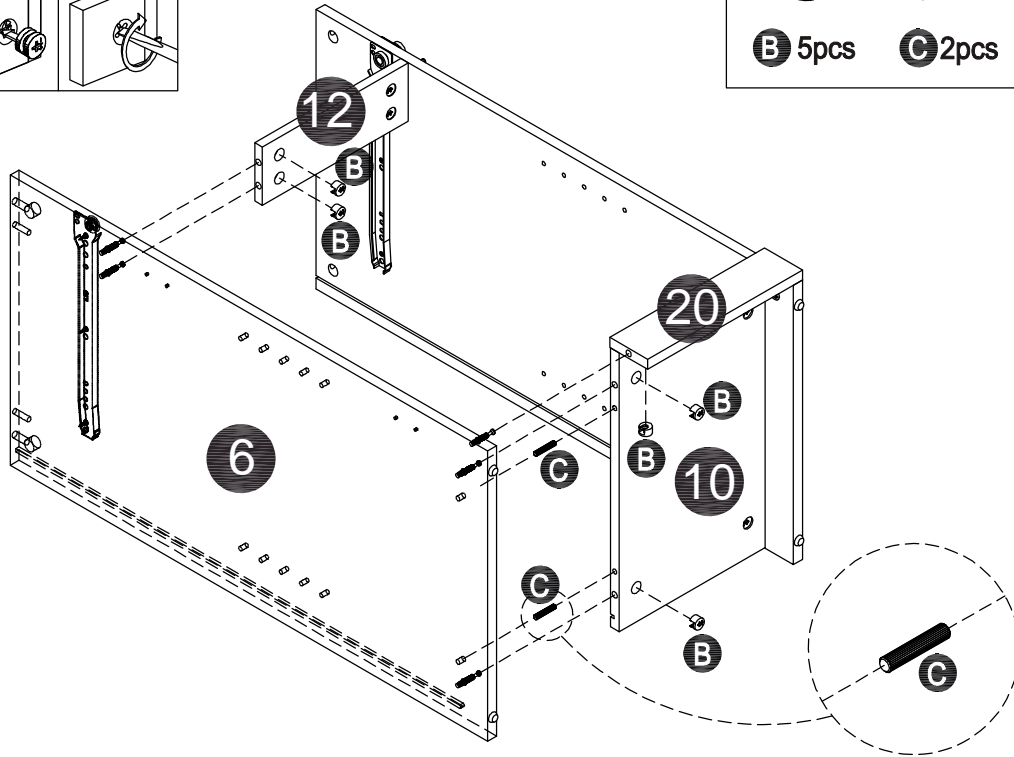
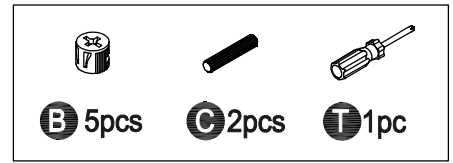
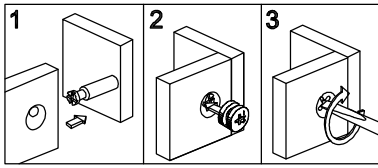
Step 25



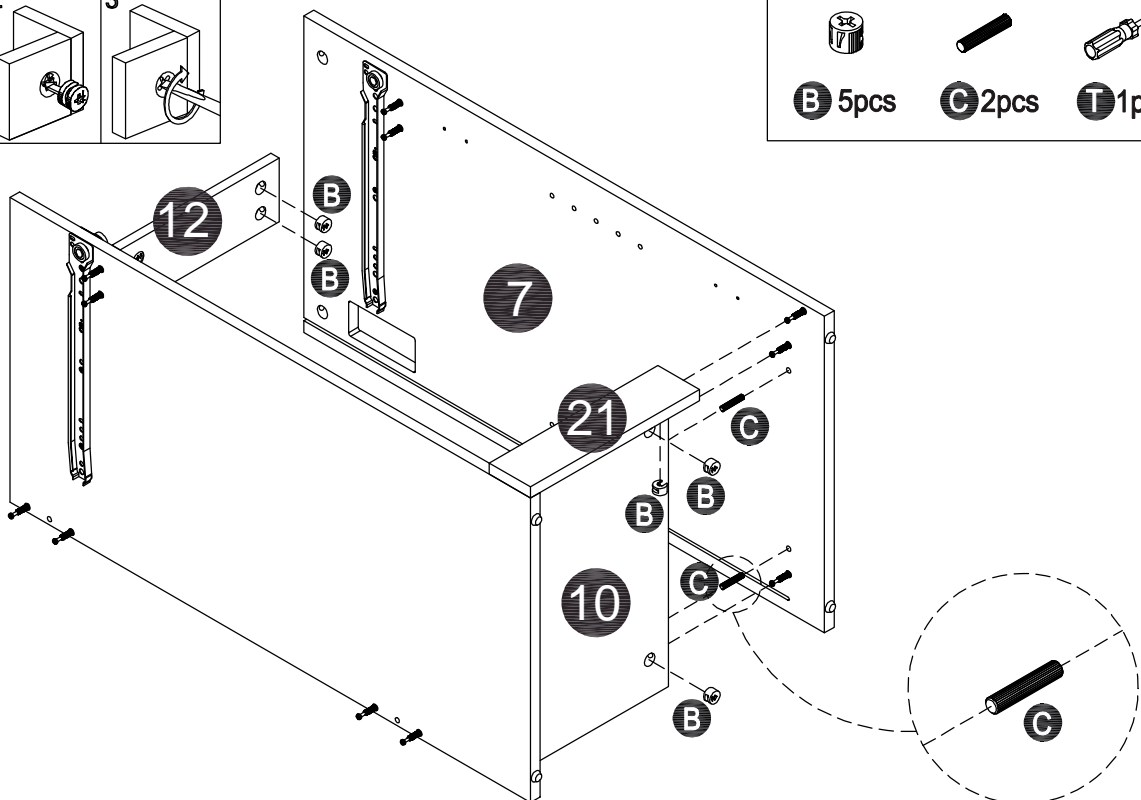
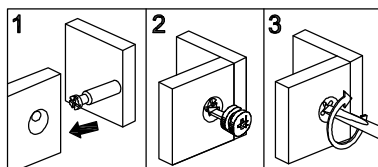
Step 26



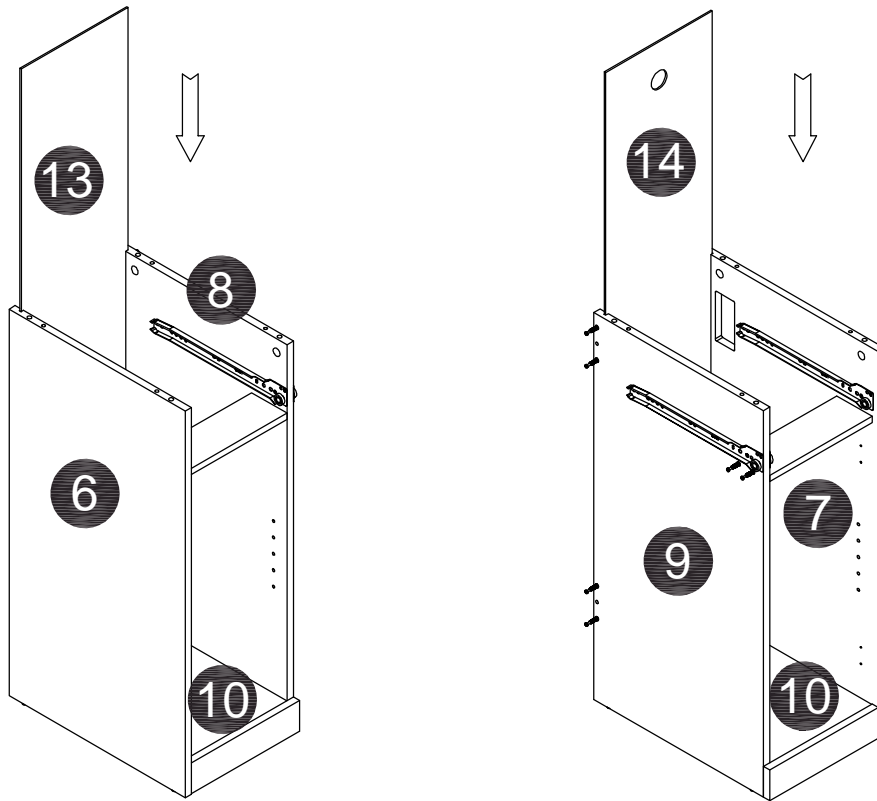
Step 27



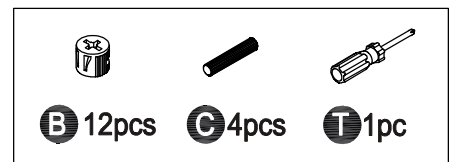
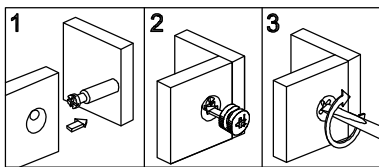
Step 28



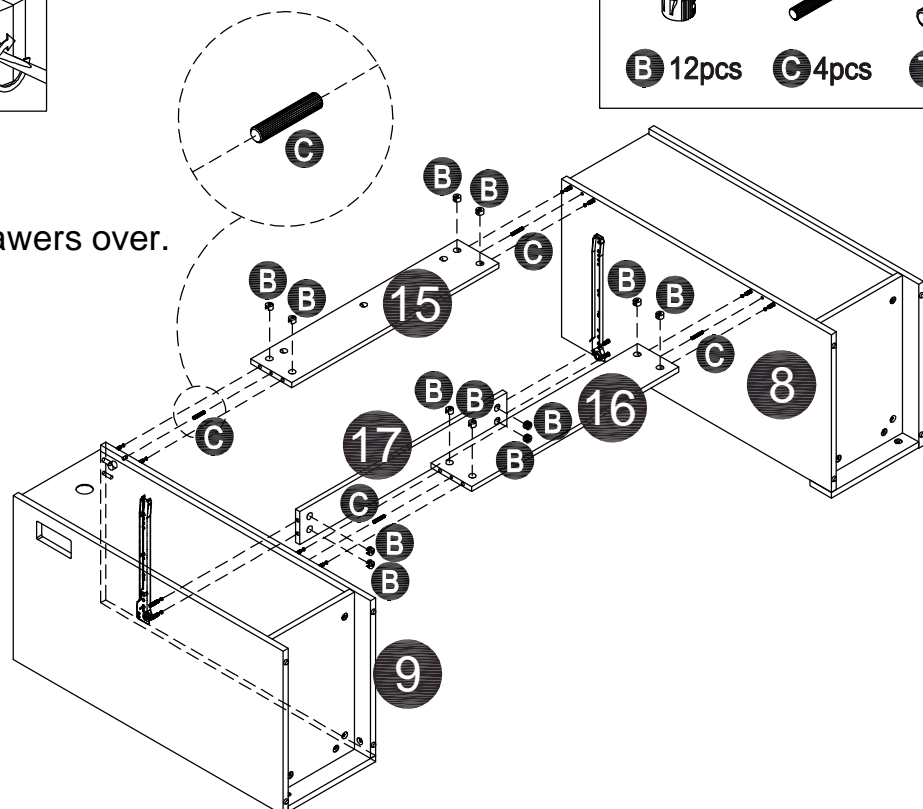
Step 29



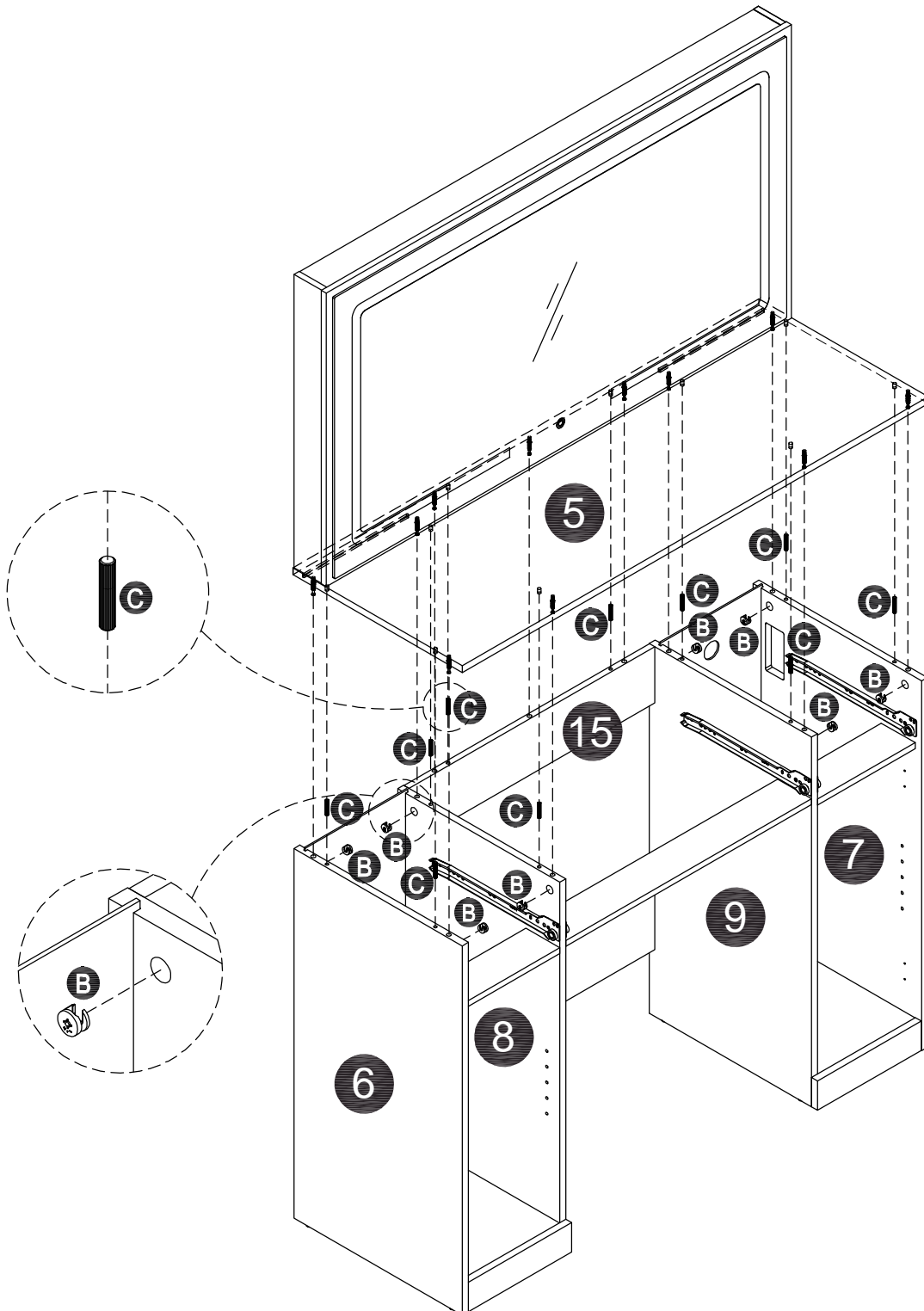
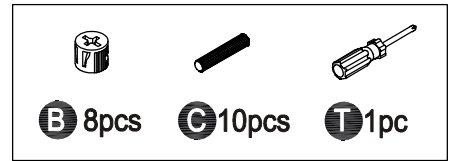
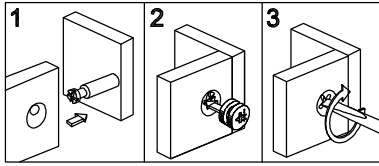
Step 30



NOTE: Turn the drawers over.

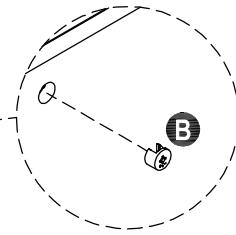
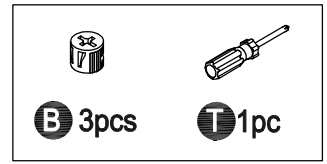
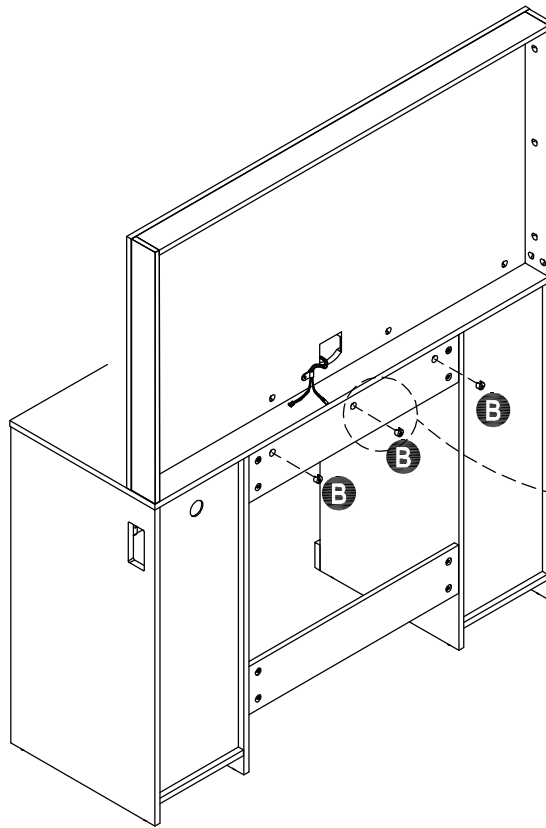
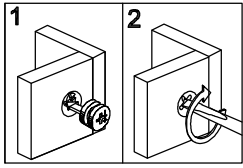


Step 31

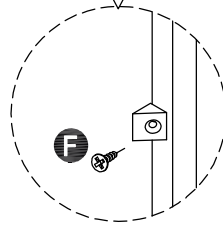
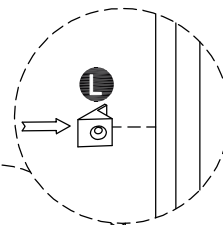
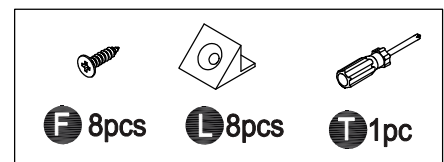
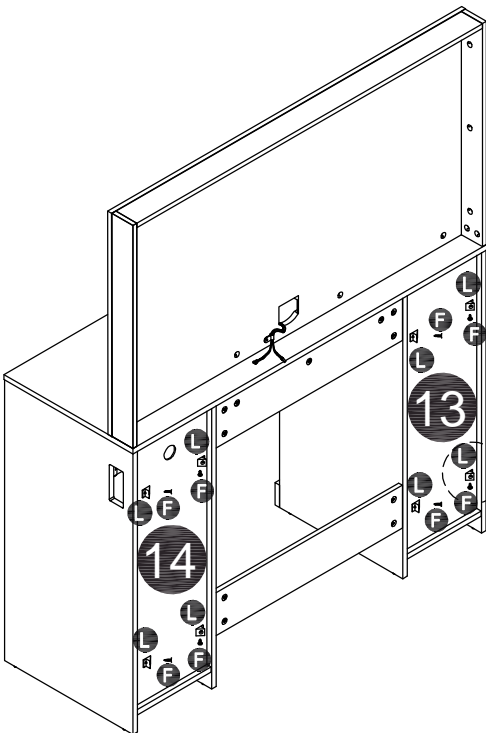


NOTE: This product requires at least two people for installation.

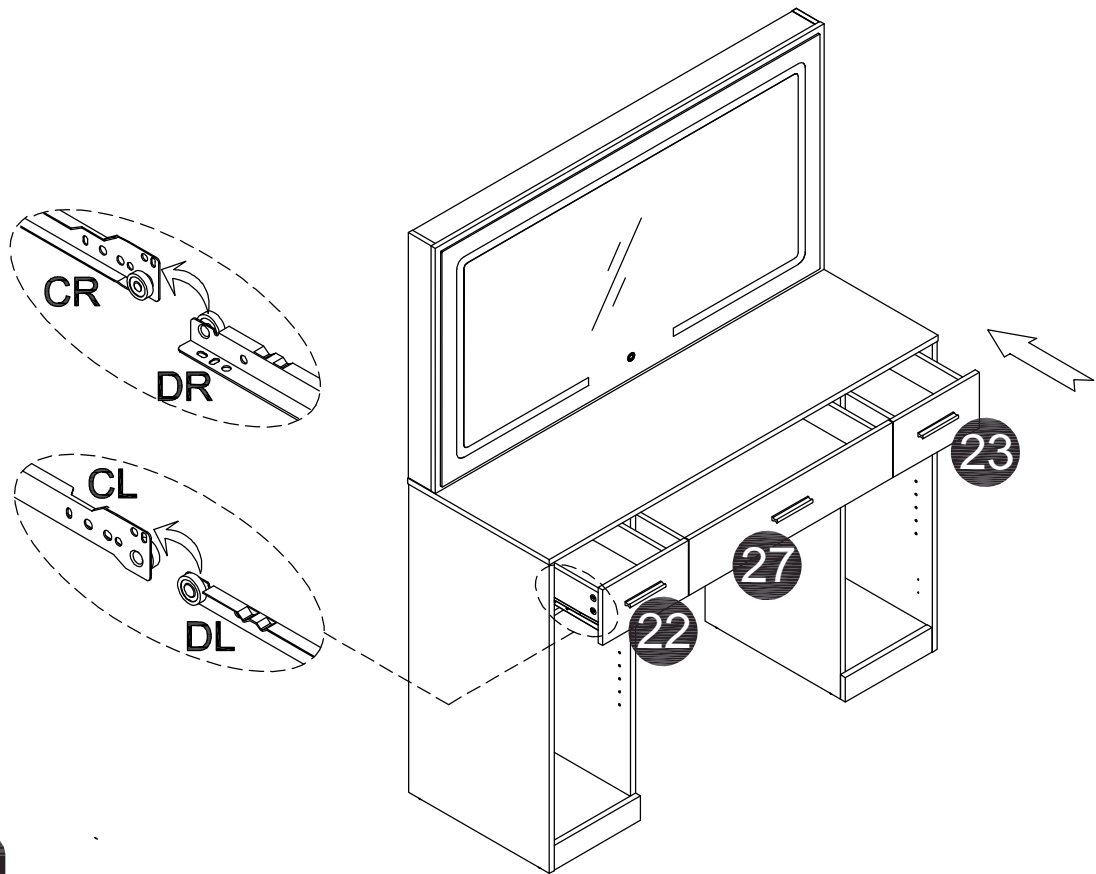
Step 32



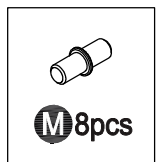
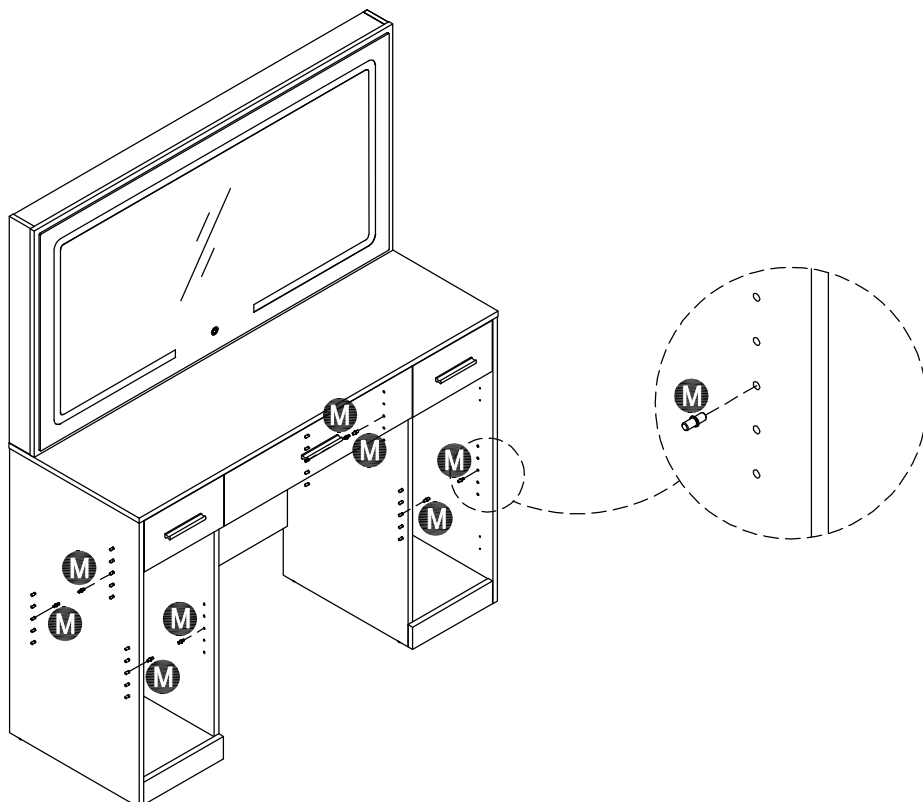
Step 33



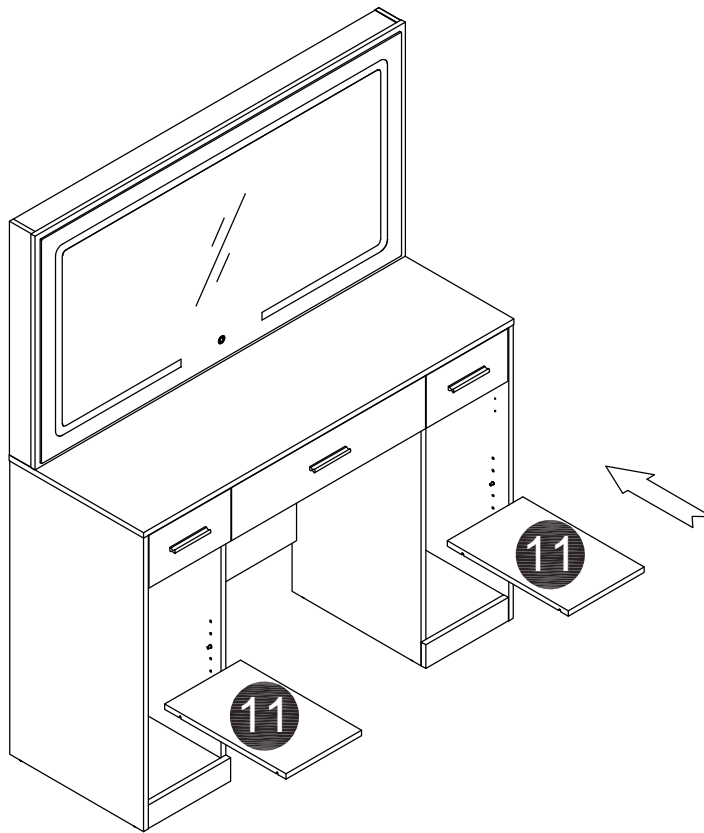
Step 34



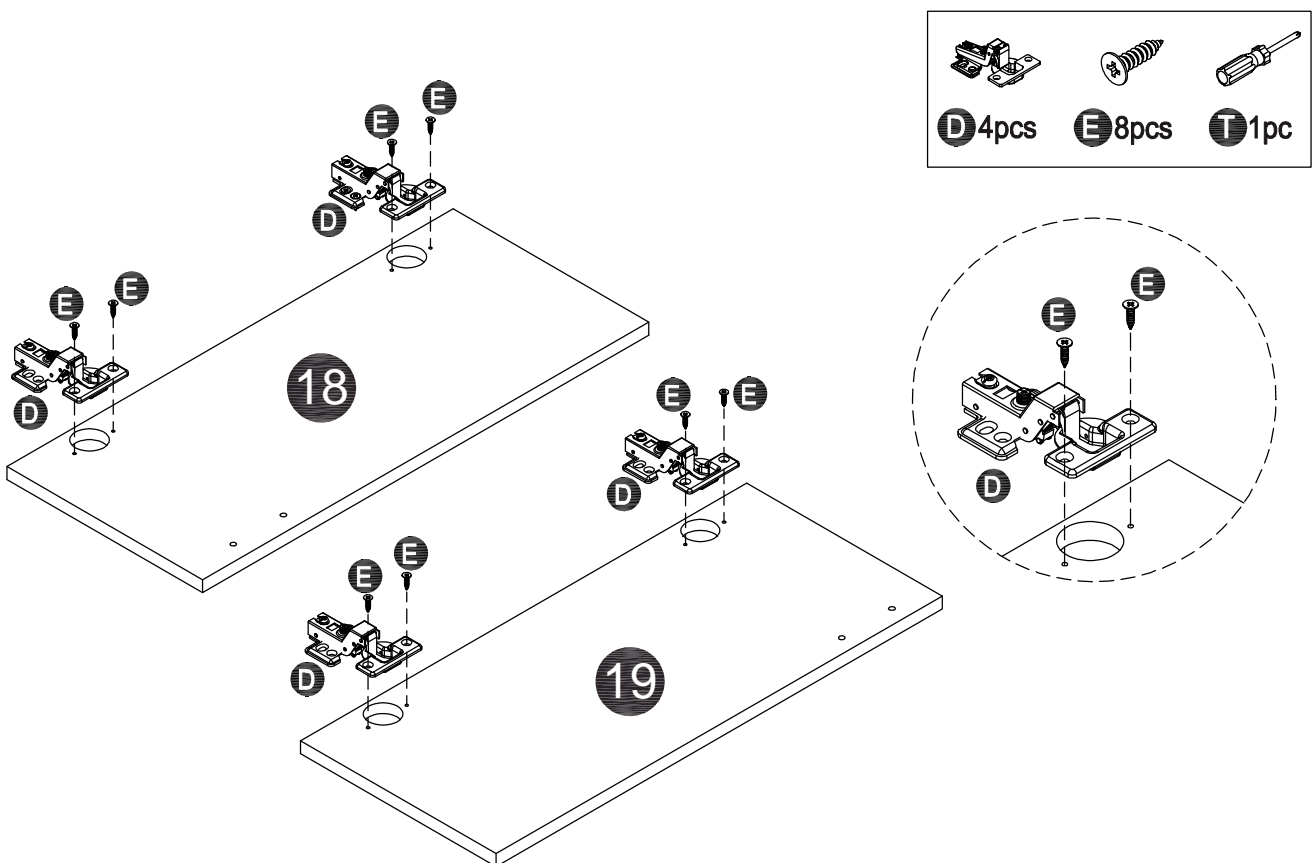
Step 35



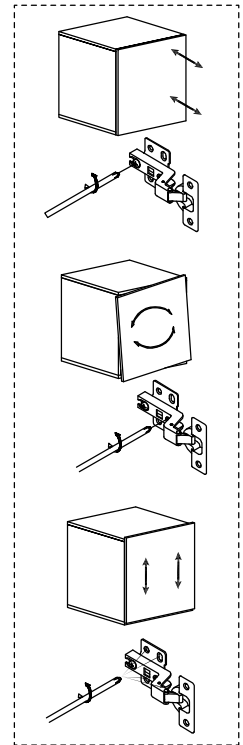
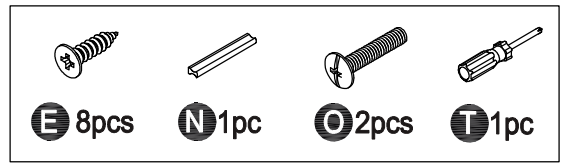
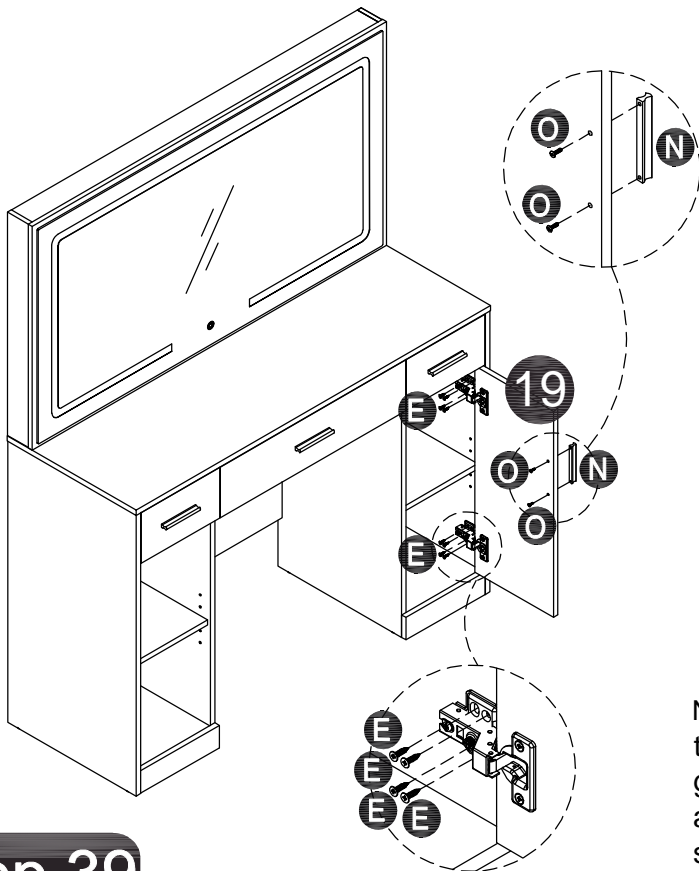
Step 36



Step 37

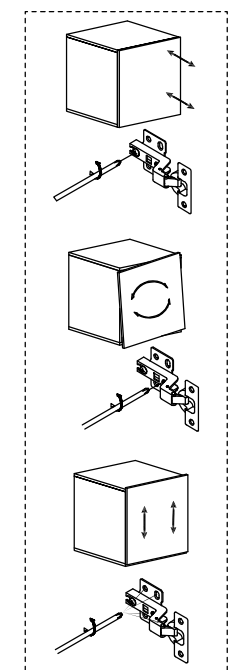
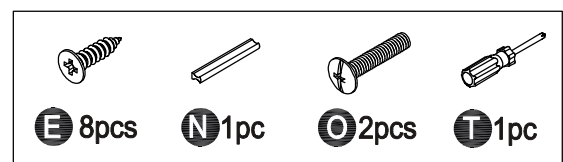
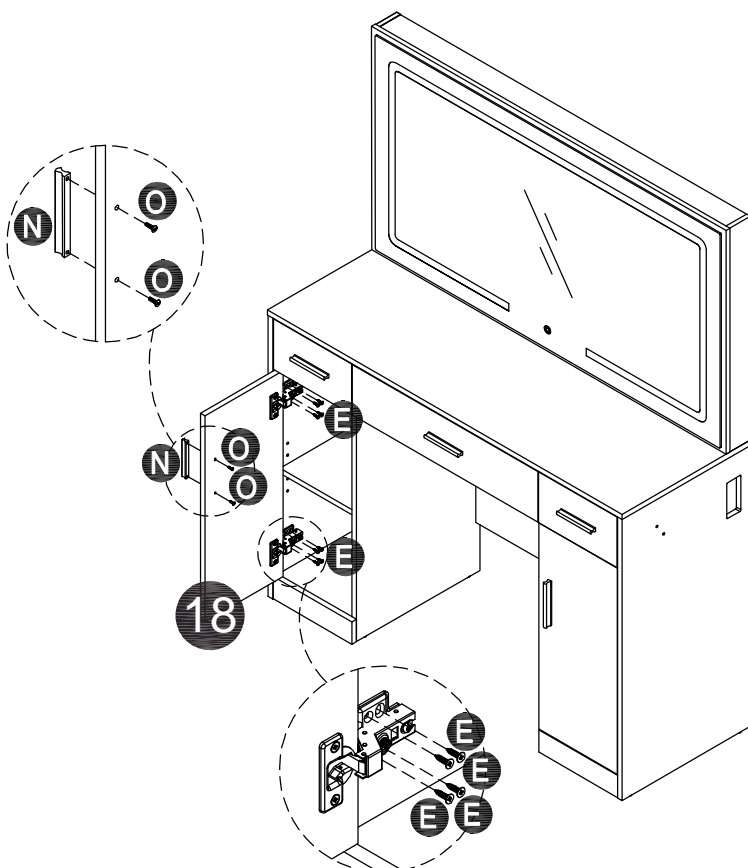


Step 38



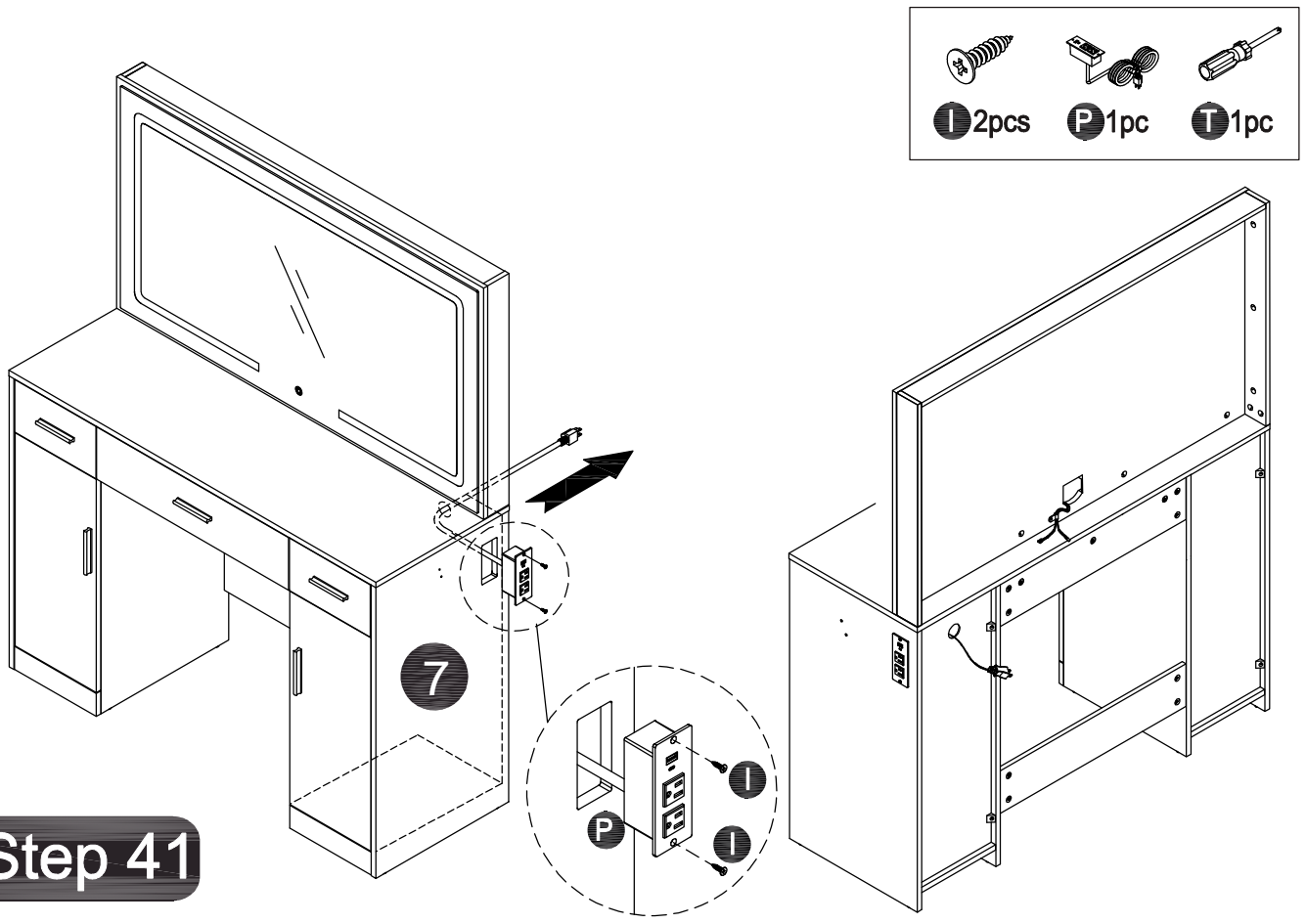
NOTE: After assembling the door, if there are any gaps or misalignment, adjust the hinges as shown right.

Step 39

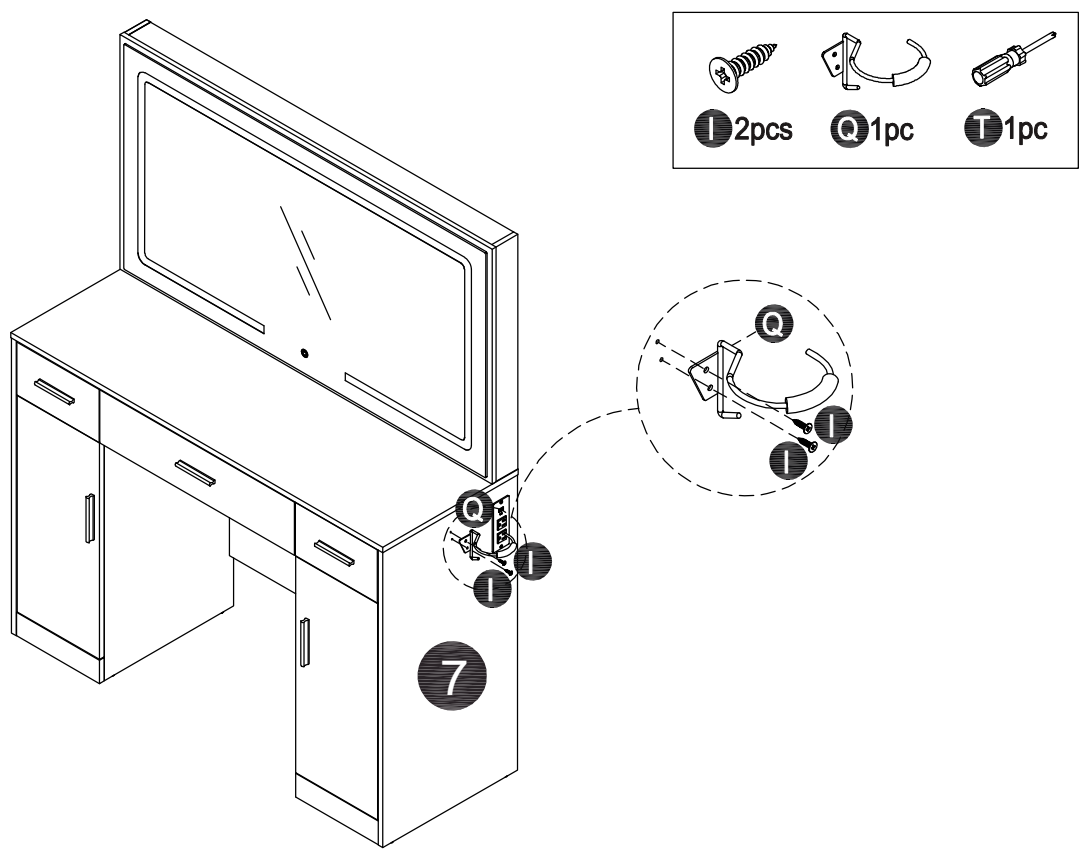


NOTE: After assembling the door, if there are any gaps or misalignment, adjust the hinges as shown right.

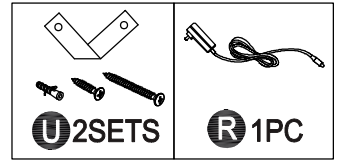
Step 40



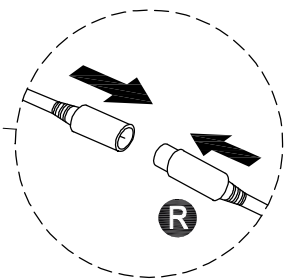
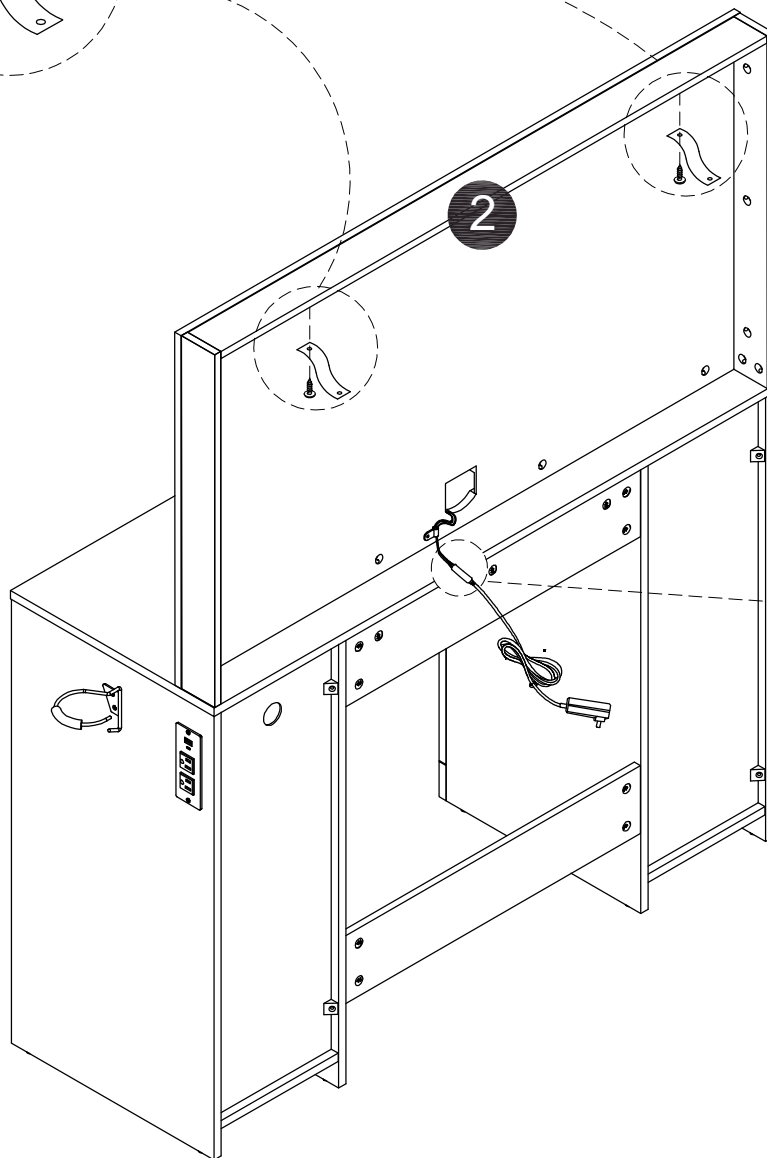
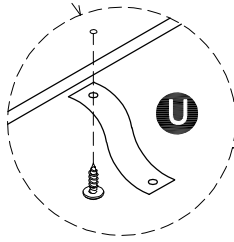
Step 41



Step 42

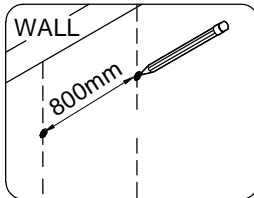
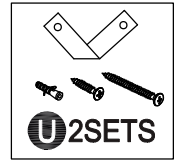


Assemble anti-rollover device used the short screws

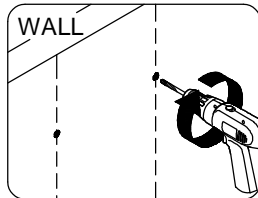


Step 43

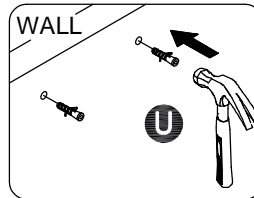
Install the anti-tip kit



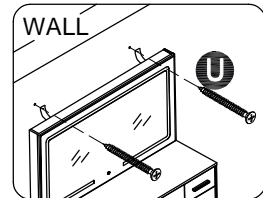
1. Make mark on the wall



2. Drill two Ø6 holes on the wall

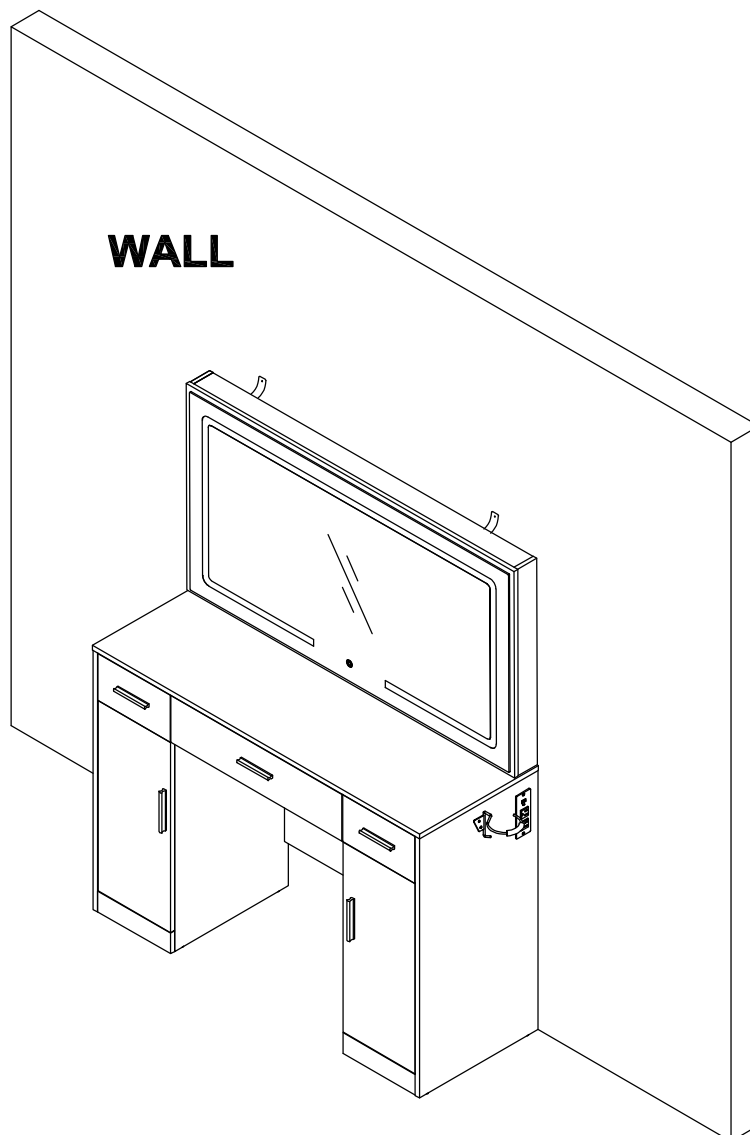


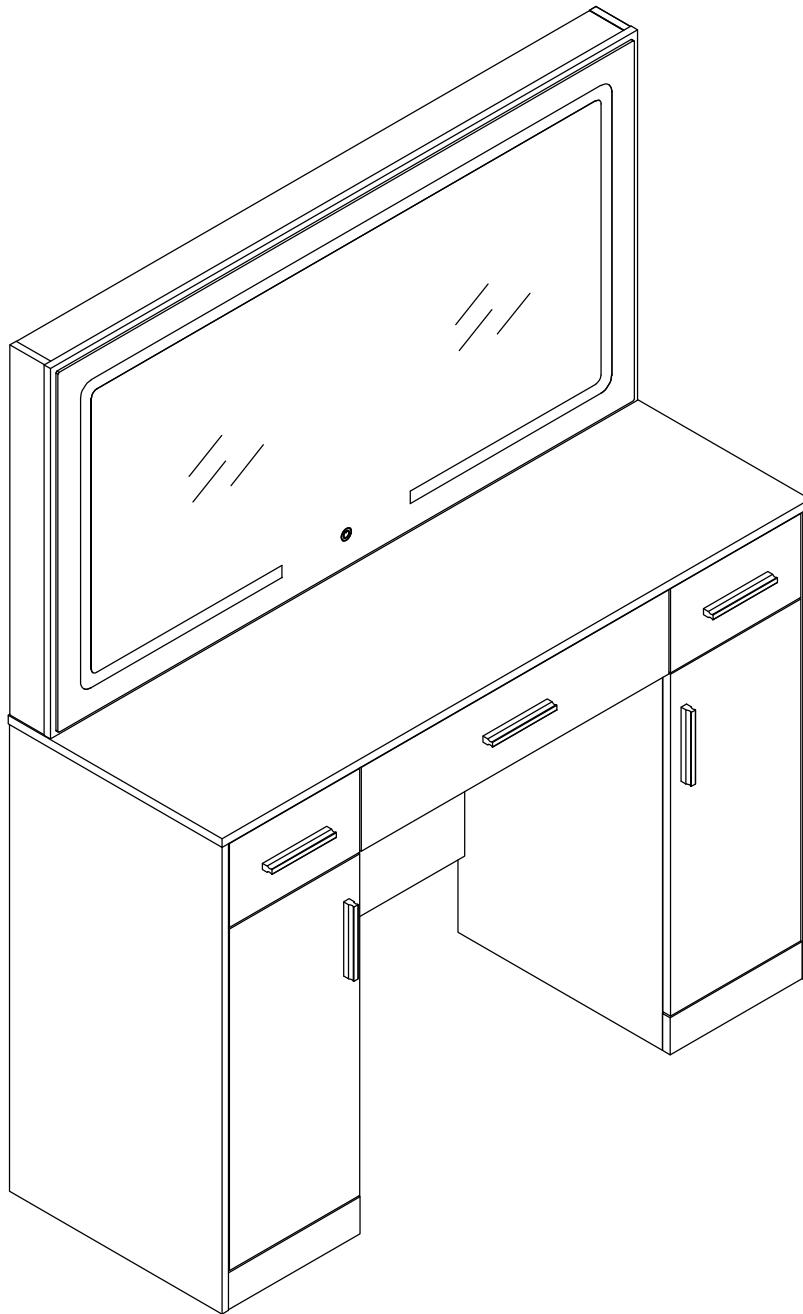
3. Put two anchors in the holes



4. Fix the device to the wall using the long screws

NOTE: Pencil, electric drill, and hammer not included.





Technical Support

(909)637-7665 | (909)637-7593

Other Info

HJ-Customer-Service@outlook.com



Thank you for choosing this product. We strive to provide you with the best quality products and service in the industry. Should you have any issues, please don't hesitate to contact us.