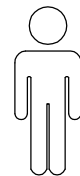
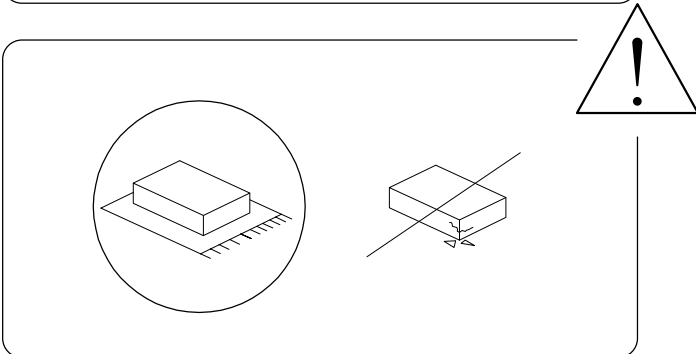
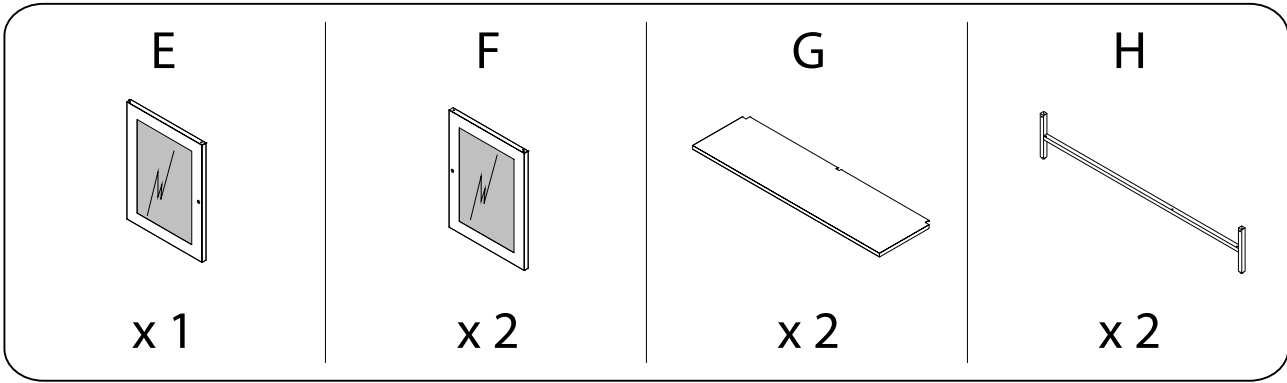
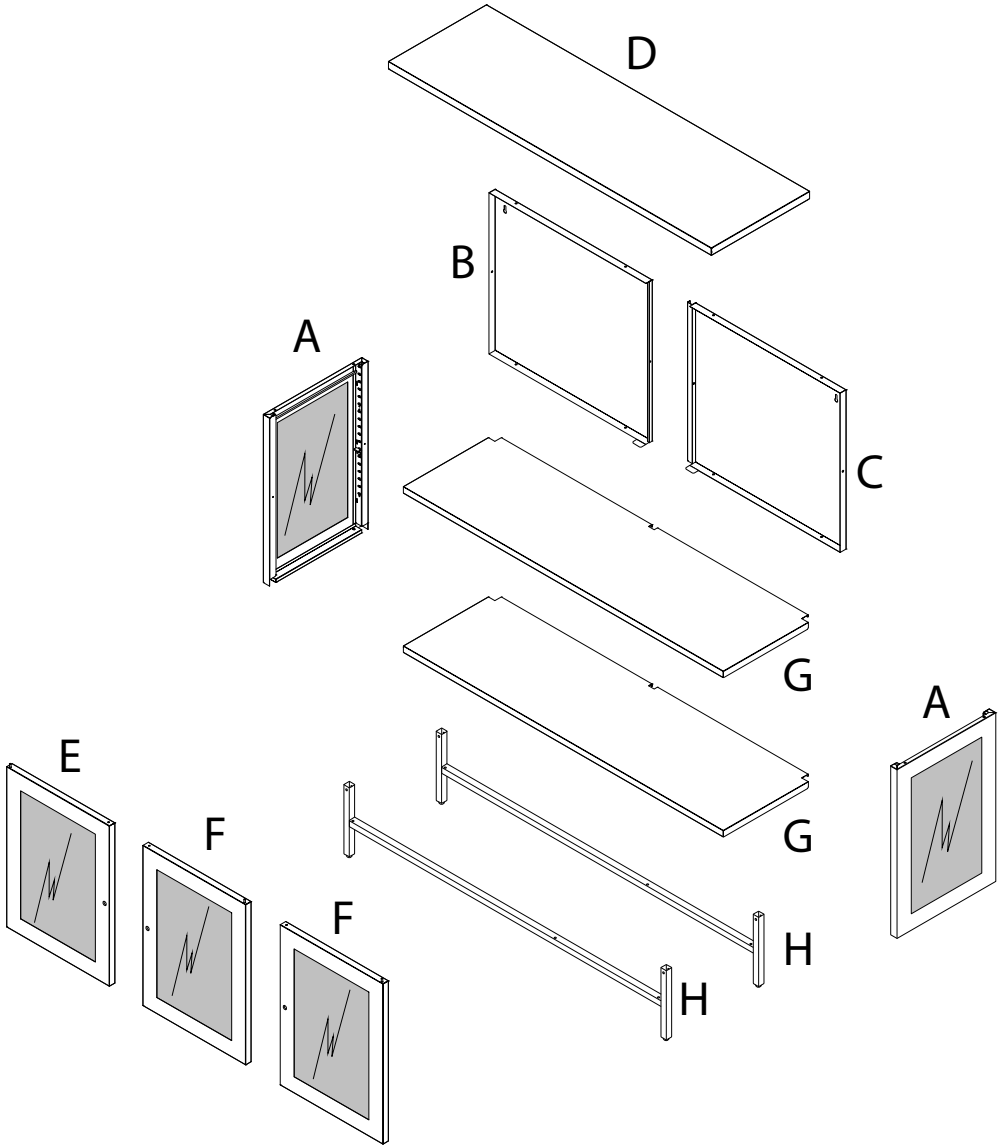
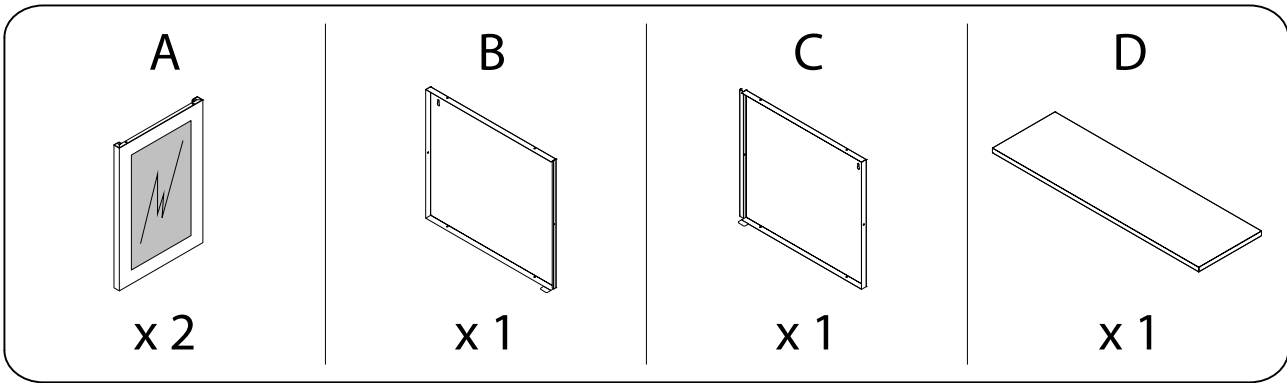


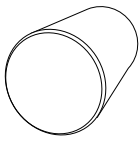
60'



1

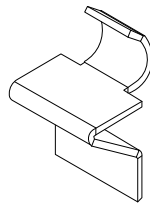


1



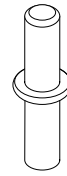
x 3

2



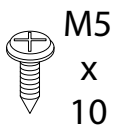
x 4

3



x 3

4



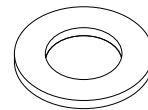
x 15

5



x 3

6



x 6

7



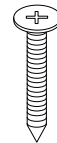
x 1

8a



x 2

8b



x 2

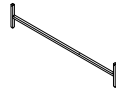
1

A

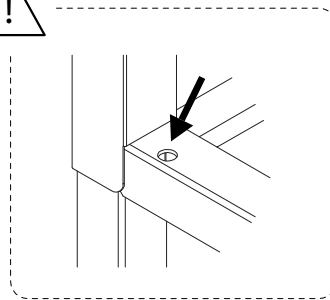
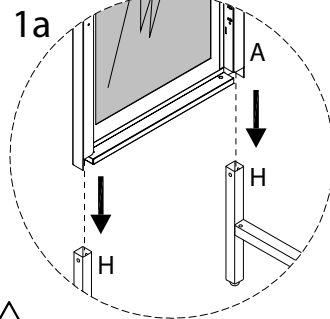
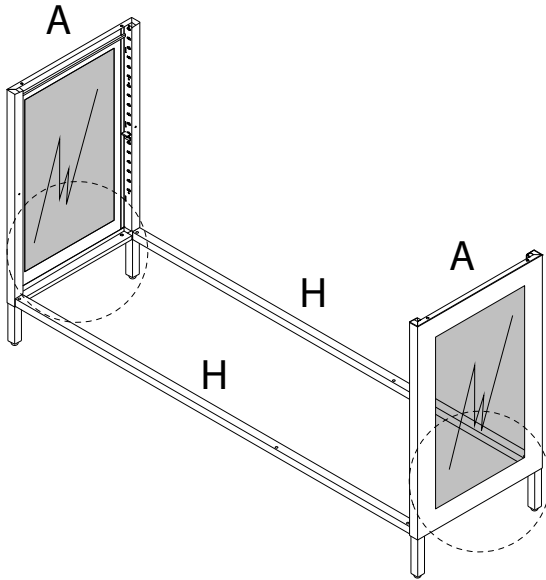


x 2

H

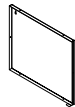


x 2



2

B

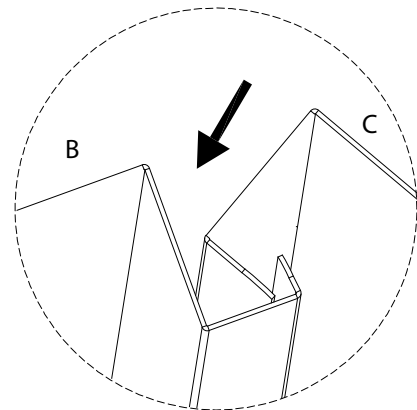
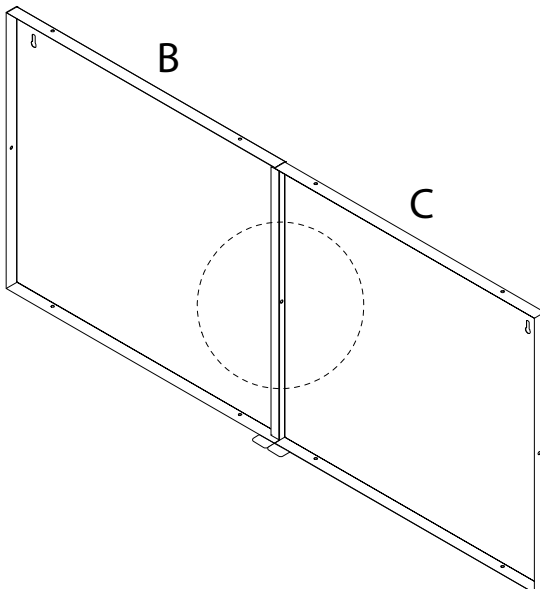


x 1

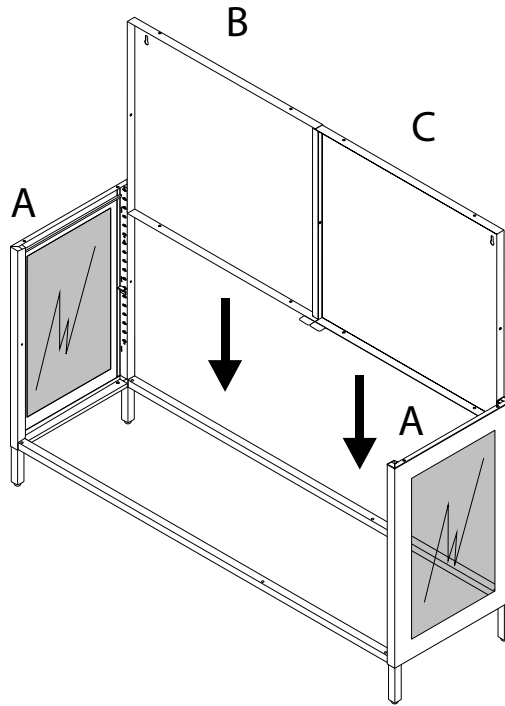
C



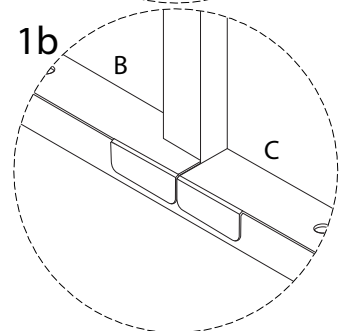
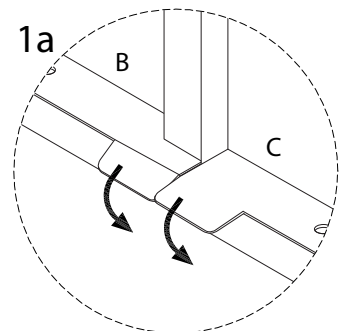
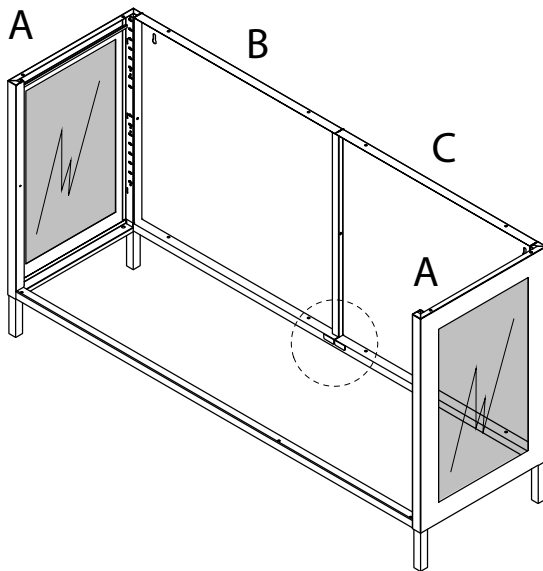
x 1



3



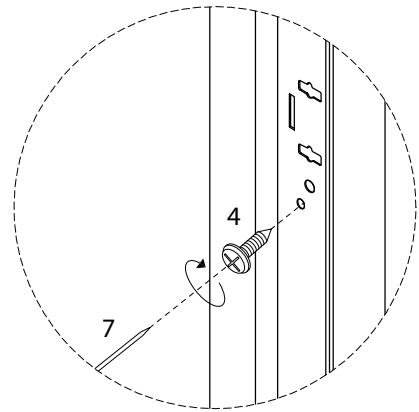
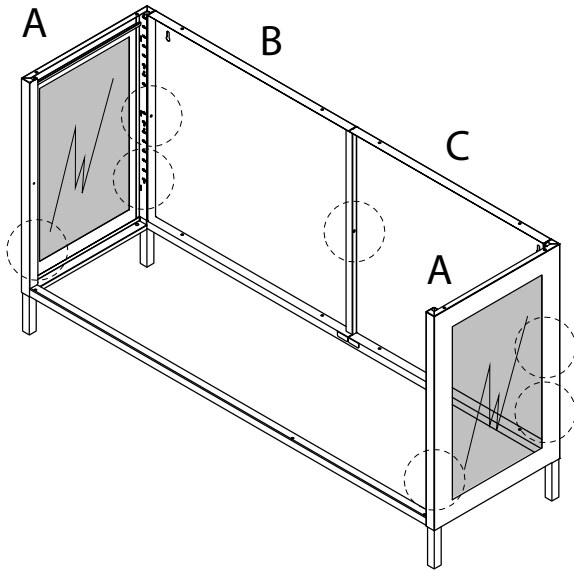
4



5

4
M5
x 10
x 7

7
x 1

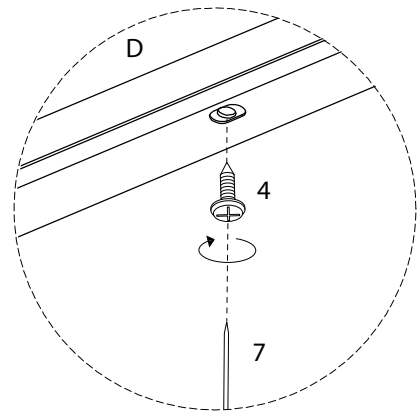
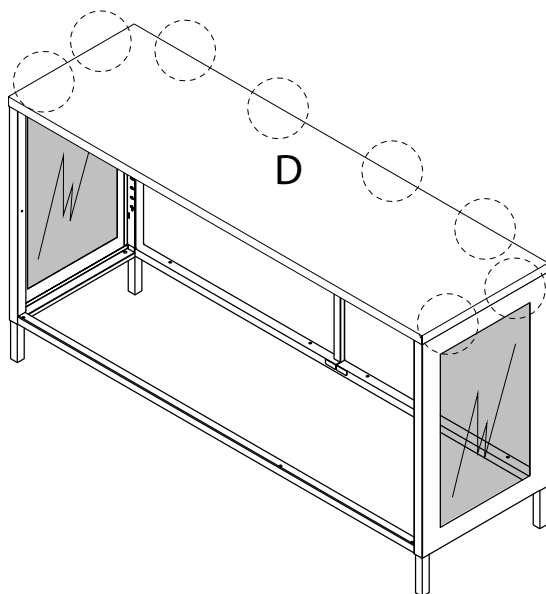


6

D
x 1

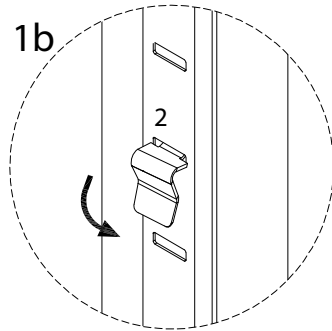
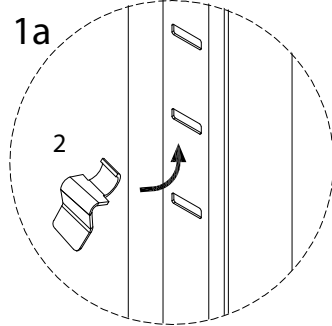
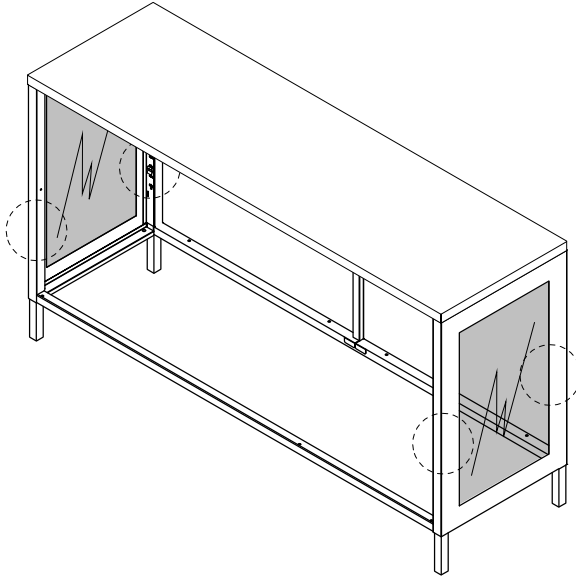
4
M5
x 10
x 8

7
x 1



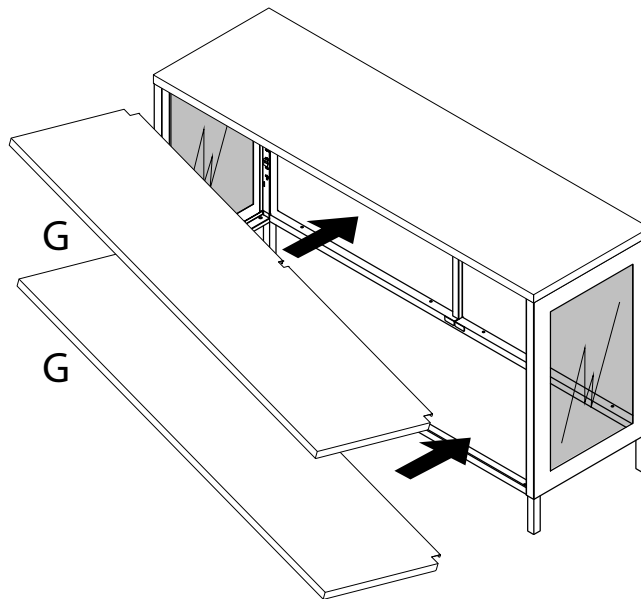
7

2
x4



8

G
x2



9

3

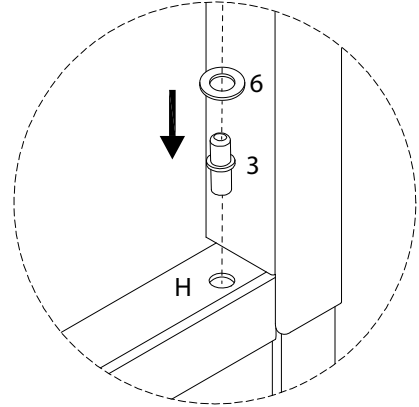
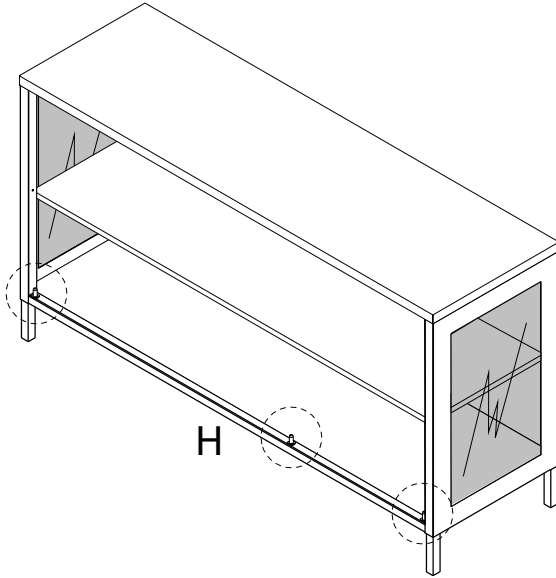


x 3

6



x 3



10

E

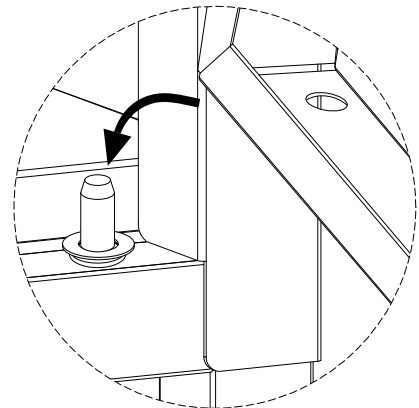
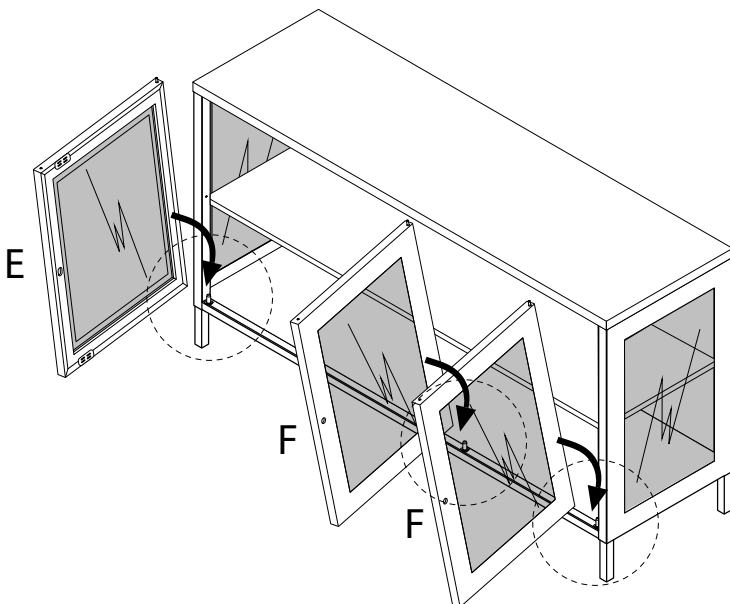


x 1

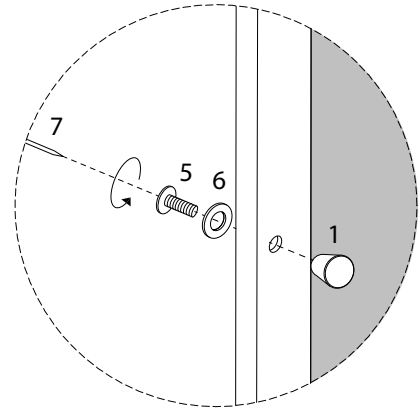
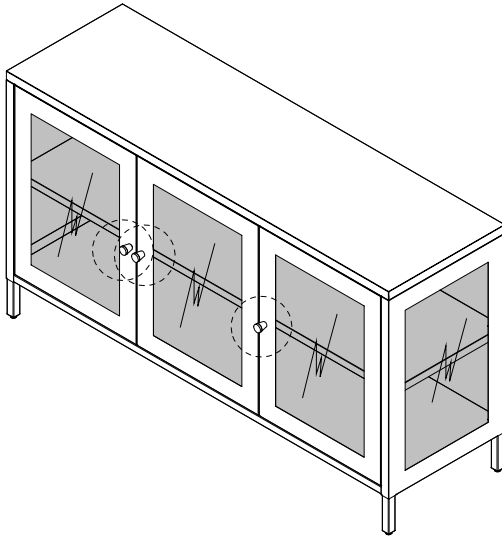
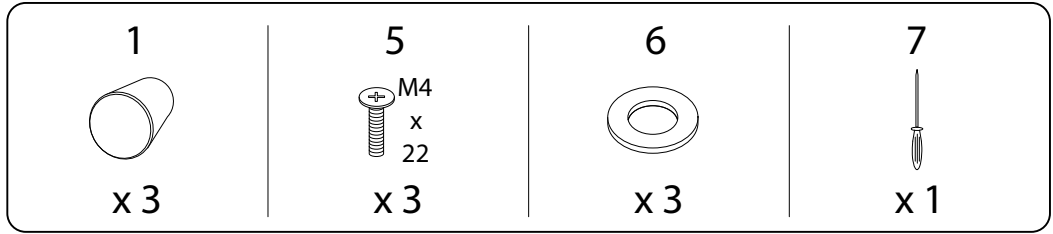
F



x 2



11



12

