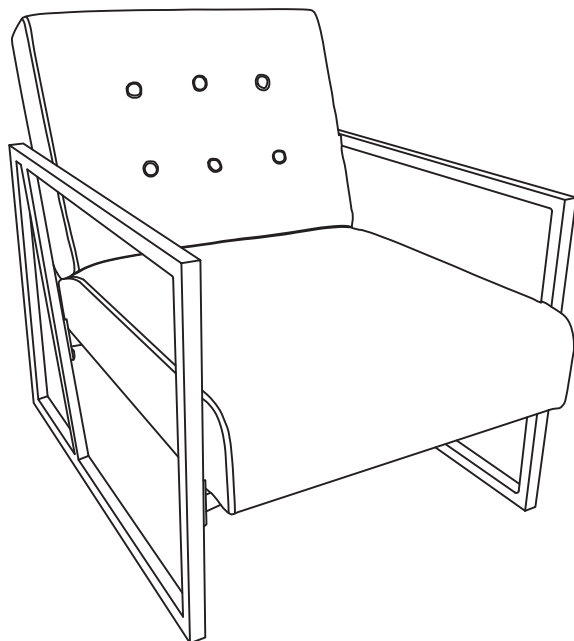




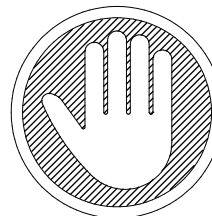
Modern Chair

2231779CLUK (*Pink Velvet*), 2231379CLUK (*Ivory Velvet*),
2231679CLUK (*Bleached Teal Velvet*)

Weight Limit: 225 Lb / 102 Kg



Thank you for purchasing from Dorel UK!



DO NOT RETURN TO THE STORE !

If parts are missing or damaged, we will gladly ship your replacement parts free of charge.

Call **01942 524100**

Email cseurope@dorel.com

Date of Purchase



Lot Number



IMPORTANT - READ CAREFULLY - RETAIN FOR FUTURE REFERENCE

Warranty Information

DHP warrants this product to be free from defects in material and workmanship and agrees to remedy any such defect. This warranty covers one year from the date of original purchase. This is solely limited to the repair or replacement of defective parts and assembly labor is not included.

This warranty does not apply to any product which has been improperly assembled, subjected to misuse or abuse or which has been altered or repaired in any way. Liability for consequential damages is excluded to the extent exclusion is permitted by law. This warranty gives you specific legal rights and you may also have other rights which vary from county to county.

To obtain warranty service, purchaser must present original bill of sale. Components repaired or replaced are warranted through the remainder of the original warranty period only. The defective components will be repaired or replaced without charge, subject to the terms and conditions described above.

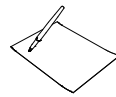
Contact Us!

For help with assembly, identifying parts, product information or to order parts, please contact us:



01942 524100

Monday - Friday
9:00 am - 5:00 pm
(London Time)



Dorel Home Furnishings Europe Ltd

Building 4 Imperial Place
Maxwell Road
Borehamwood
Hertfordshire
WD6 1JN
UK



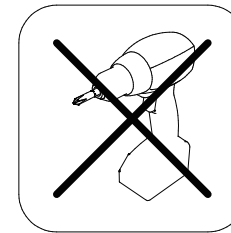
cseurope@dorel.com

Read Before Beginning Assembly

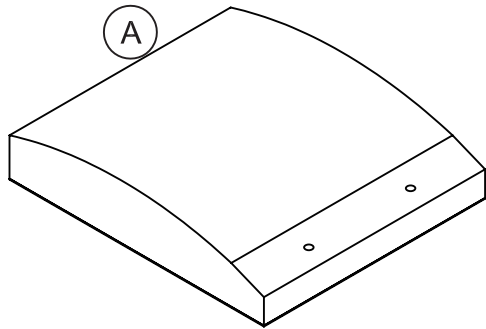
- Call our Customer Care phone number if you need assistance.
- Work in a spacious area and near where the unit will be used, preferably on a carpet, or use a piece of the cardboard packaging to protect your floor and product.
- Recommended # of people needed for assembly: **2** (however it is always better to have an extra hand). Estimated assembly time is **1 h**.
- Make sure all parts are included. Most parts are labeled or stamped on the raw edge.
- Read each step carefully. It is very important that each step of the instructions is performed in the correct order. If these steps are not followed in sequence, assembly difficulties will occur.

Caution

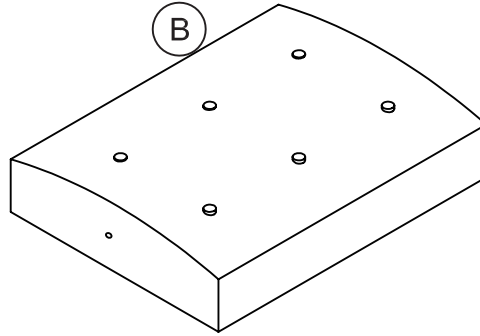
- This product is designed for home use and not intended for commercial use.
- This product contains small components. Please ensure that they are kept away from small children.
- Do not use power tools to assemble your furniture. Power tools may strip or damage the parts.
- A power tool and drill bit will be required to secure the bunk to the wall.
- You will need a phillips headed screwdriver to assemble this product.



Parts



Seat
X 1



Back
X 1



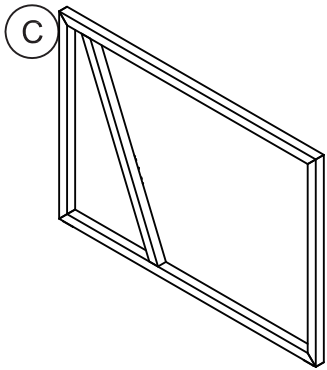
All in 1 big box!



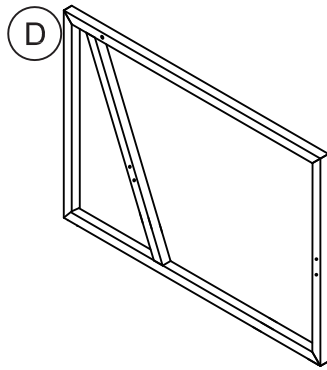
There are inner box(es) that include components required to complete this assembly.



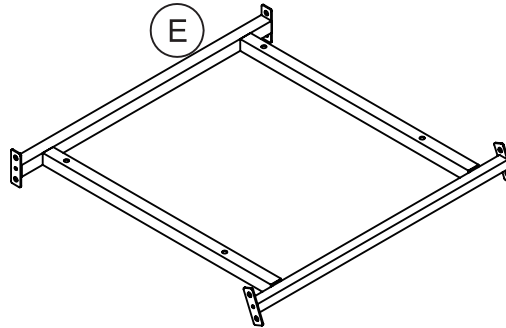
Before you throw the package, please use the Check Box to identify the parts and ensure that you have all the parts needed for the assembly.



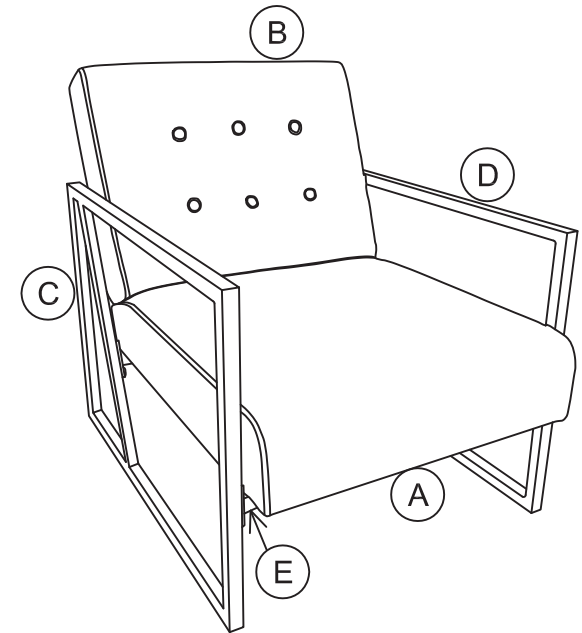
Arm
UK803780
X 1

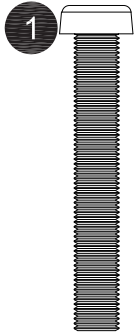


Arm
UK803760
X 1

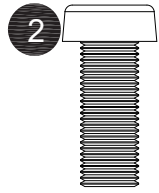


Seat Frame
UK803770
X 1

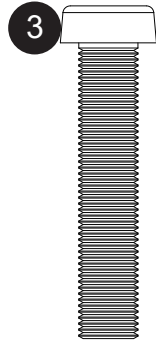




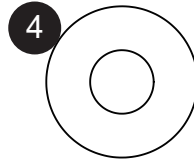
M6x40mm
X 4



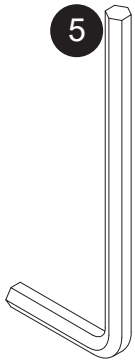
M8x20mm
X 8



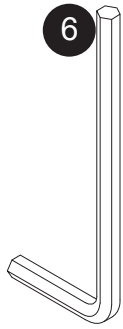
M8x40mm
X 4



Washer
X 2



Allen Key 5mm
X 1



Allen Key 4mm
X 1

Hardware Pack

Hardware Pack #: T2231779-00



Please do not completely tighten all the hardware, until the entire assembly is complete, unless otherwise indicated in the step-by-step instructions.

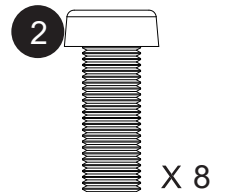
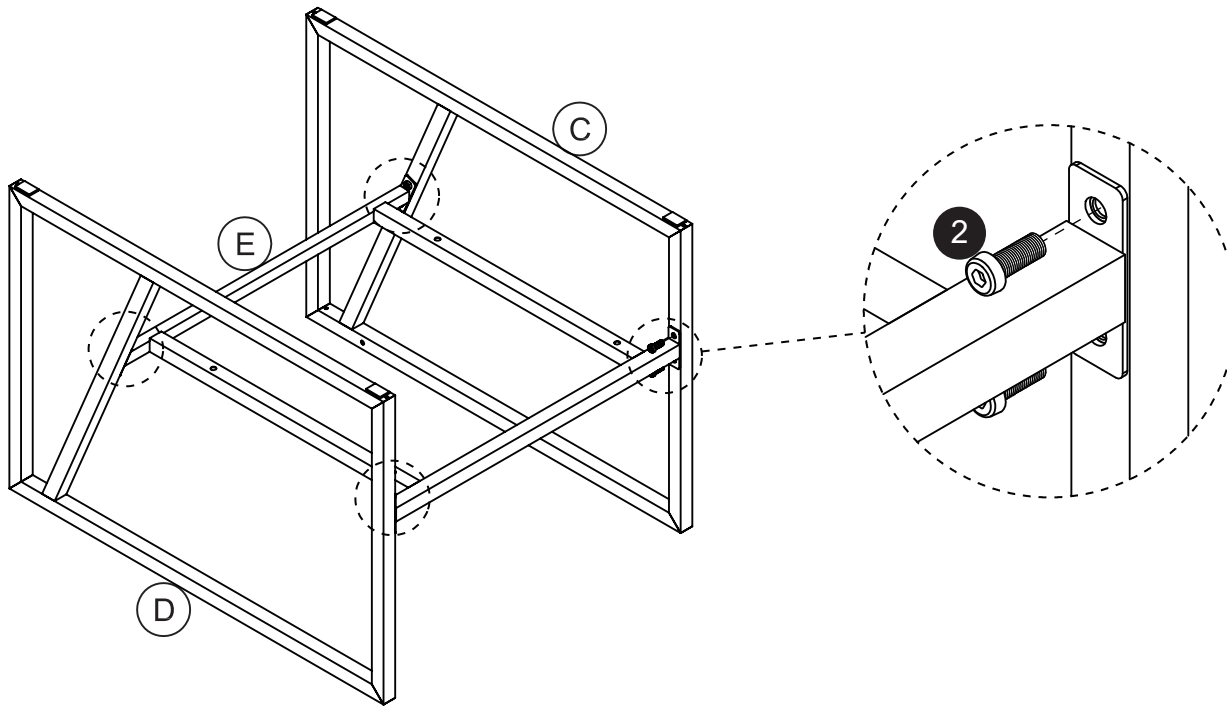


The screw(s), bolt(s) to be used at each step are shown in actual size in the lower right corner of the page.

Step 1

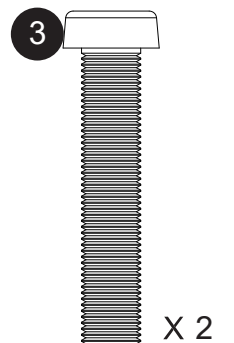
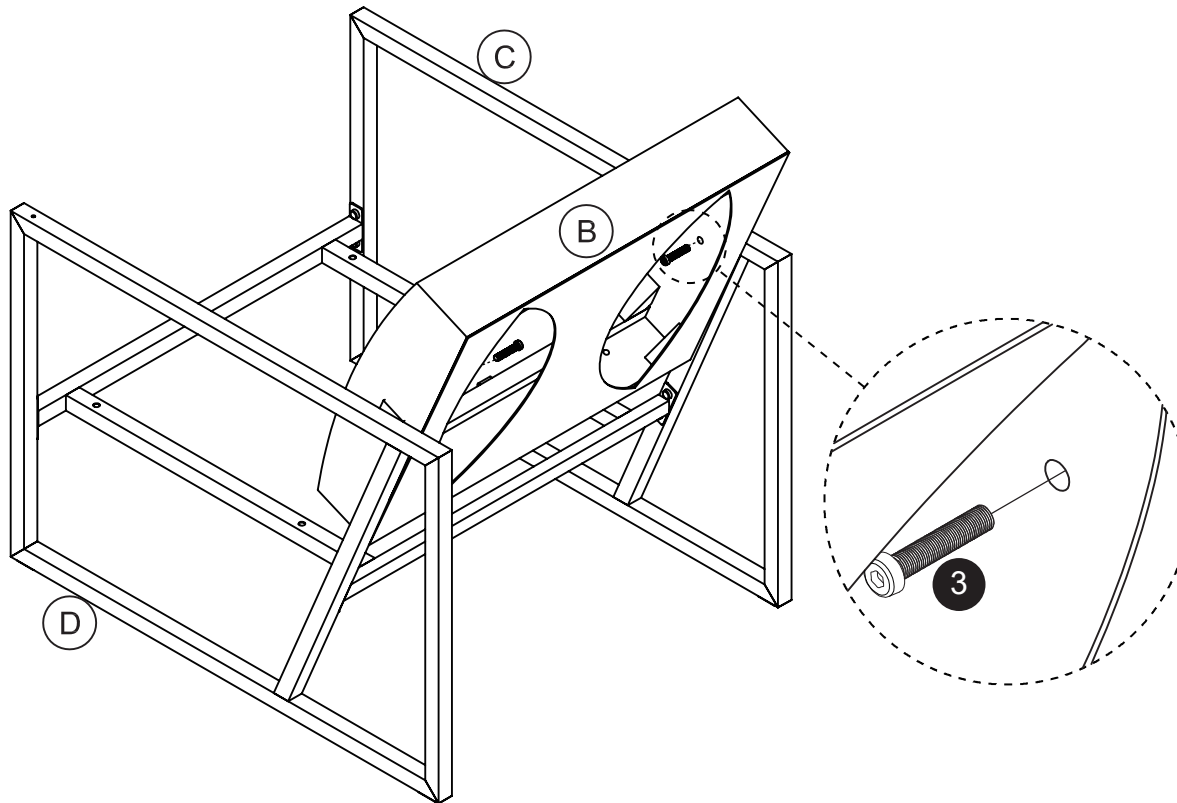
Attach **C** & **D** to **E** with **2**, as shown.

Note: For ease of assembly, parts **C** and **D** are positioned downward.



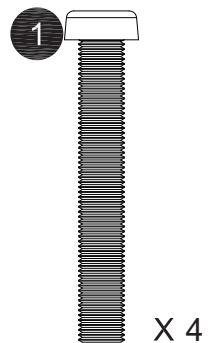
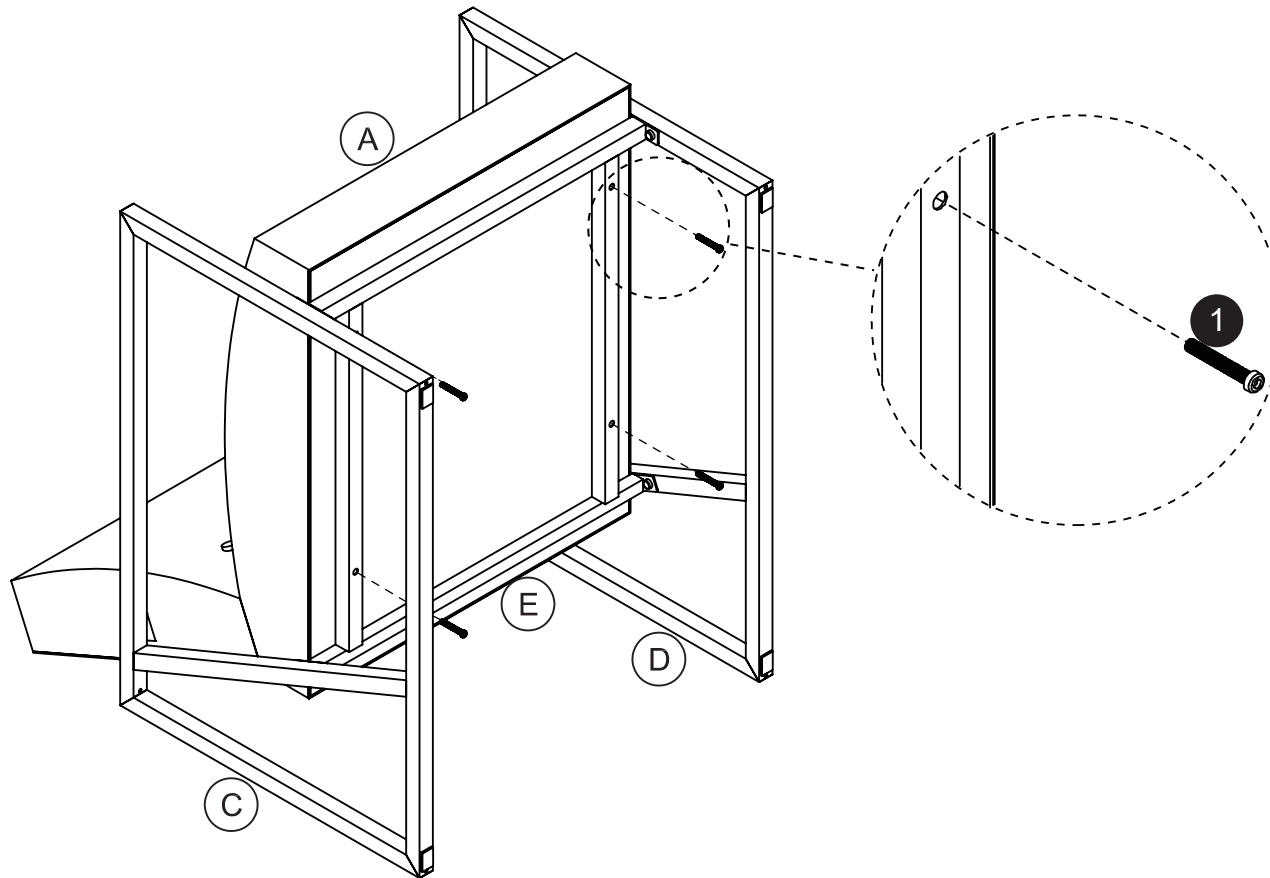
Step 2

Turn over the frame and attach **B** to **C** & **D** with **3**, as shown.



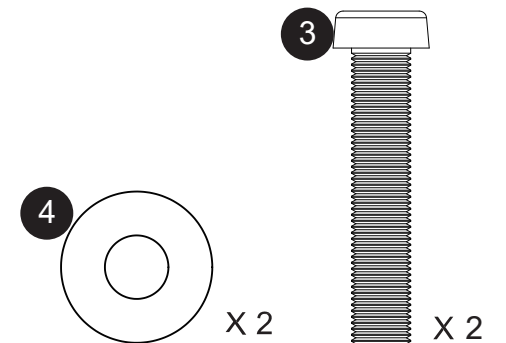
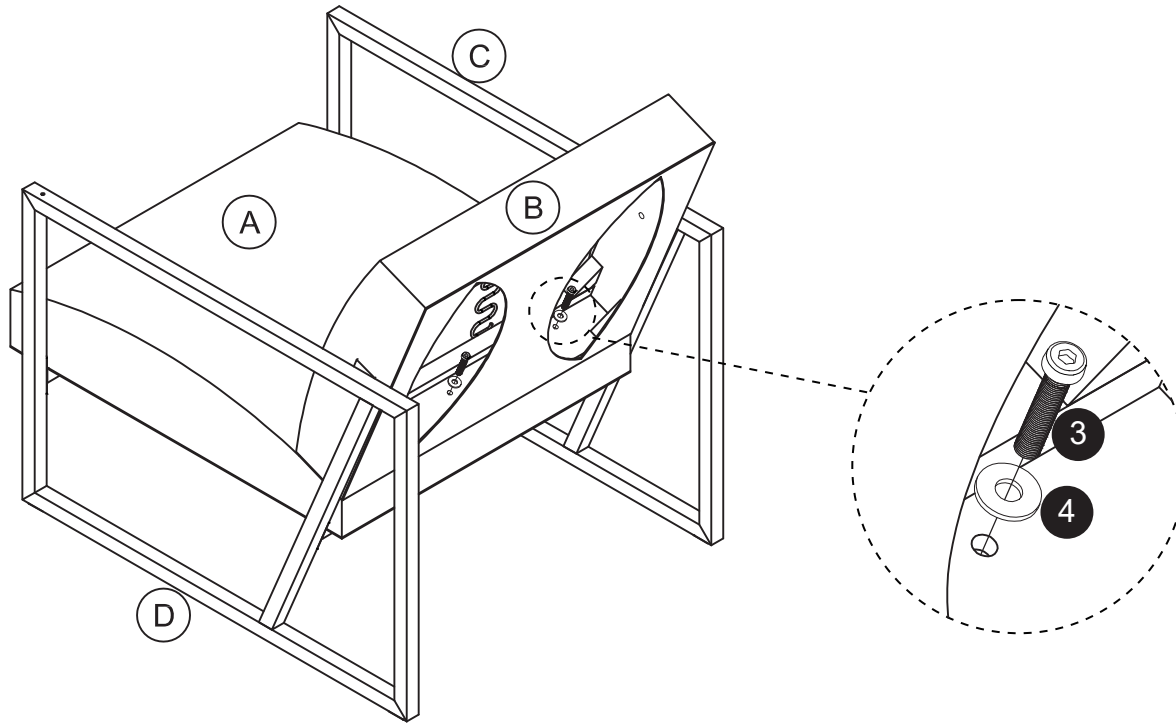
Step 3

Tighten up all the bolts and attach **A** to **E** with **1**, as shown.



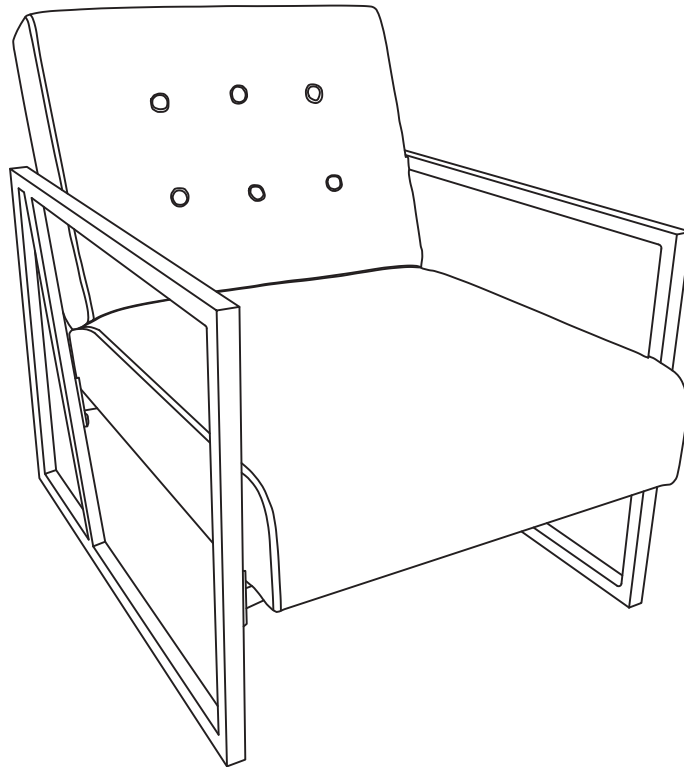
Step 4

Attach **B** to **A** with **3** & **4**, as shown.





Weight Limit: 225 Lb / 102 Kg



Helpful Hints

- Move your new furniture carefully, with two people lifting and carrying the unit to its new location.
- Your DHP furniture can be disassembled and reassembled to move.
- Clean the product with a soft damp cloth. DO NOT use harsh chemicals or abrasive cleaners.