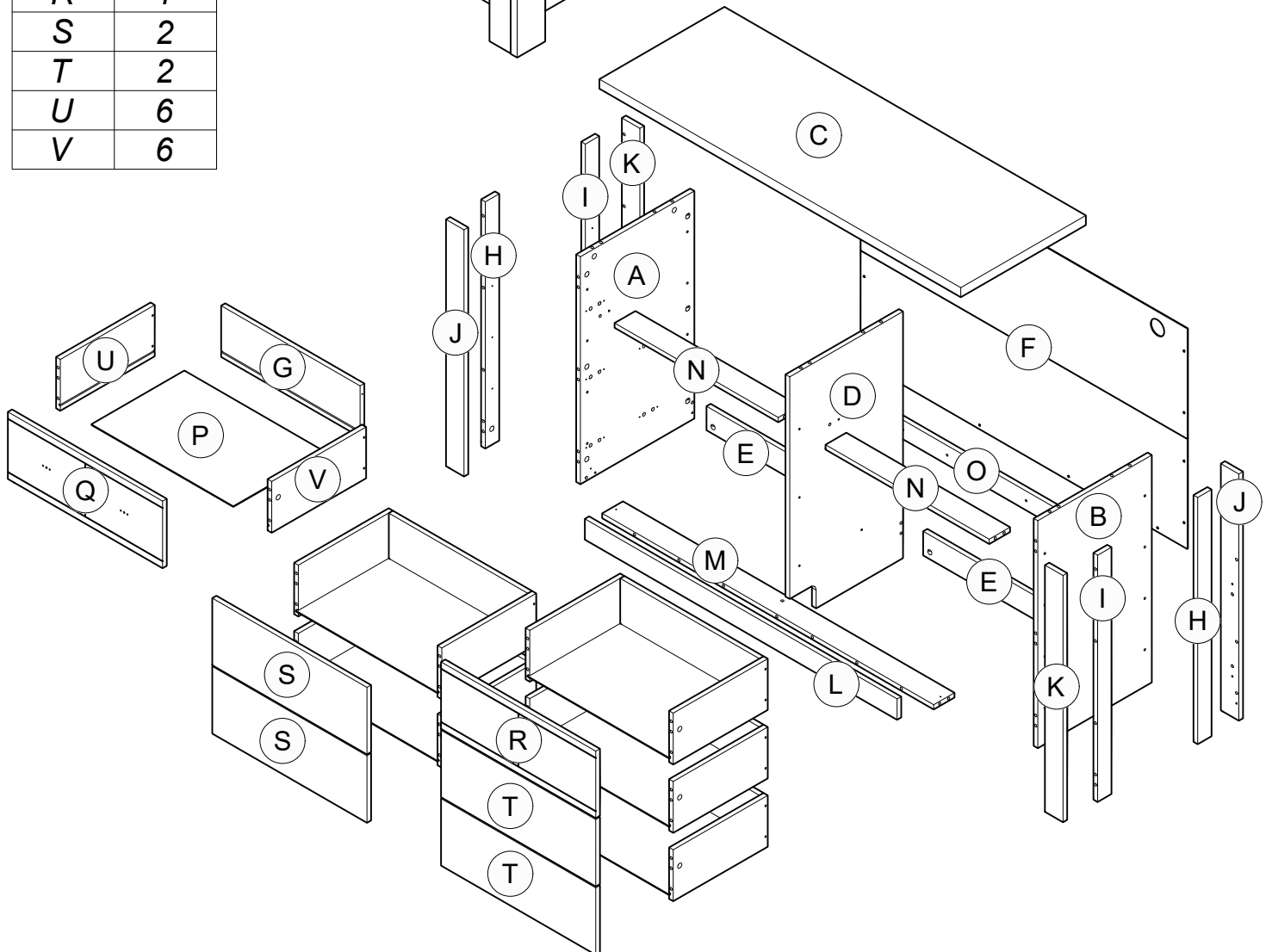
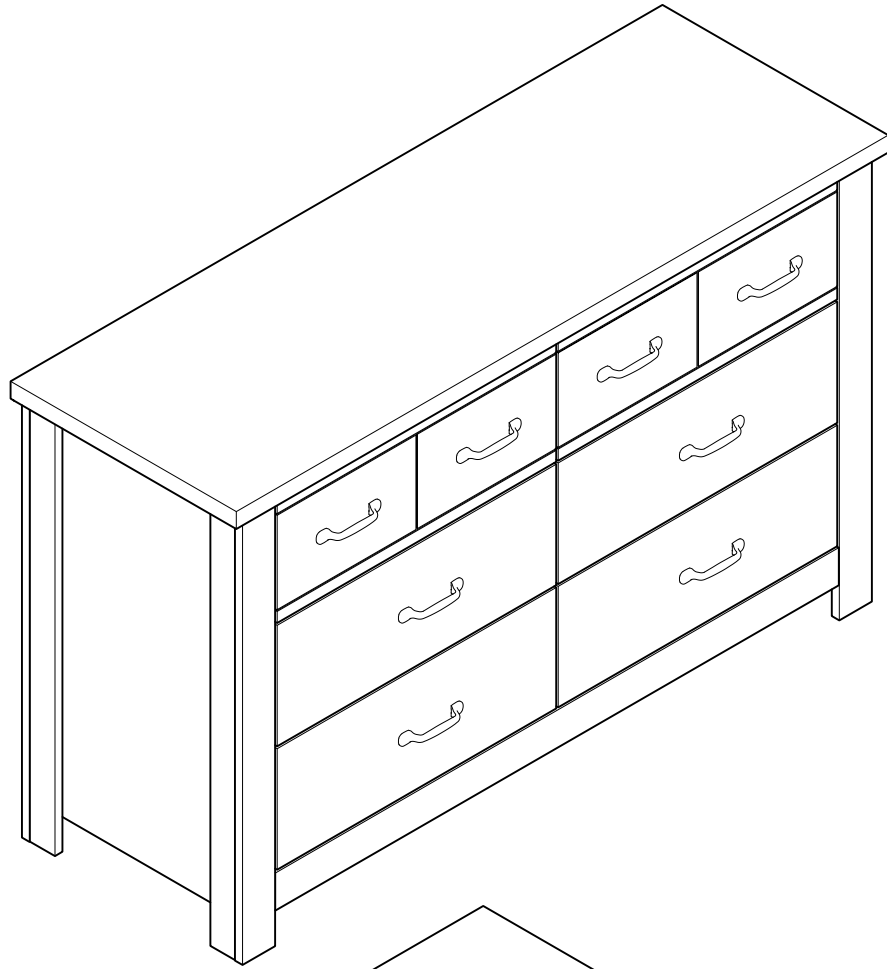



ASSEMBLY INSTRUCTIONS

PART LIST

| CODE | QTY |
|------|-----|
| A | 1 |
| B | 1 |
| C | 1 |
| D | 1 |
| E | 2 |
| F | 1 |
| G | 6 |
| H | 2 |
| I | 2 |
| J | 2 |
| K | 2 |
| L | 1 |
| M | 1 |
| N | 2 |
| O | 1 |
| P | 6 |
| Q | 1 |
| R | 1 |
| S | 2 |
| T | 2 |
| U | 6 |
| V | 6 |



NOTES ON ASSEMBLY

- To ensure ease of assembly read all instructions before assembly and follow step by step illustrations.
 - Keep instructions for future use.
 - Adult assembly required. 
 - Due to the presence of small parts during assembly, keep out of reach of children until assembly is complete.
-

MAINTENANCE TIPS

- Never let liquids or damp cloths sit on this furniture.
 - Never use chemical cleaning products. They can damage the finish. For cleaning, use only a slightly damp cloth and wipe dry.
 - To avoid dulling of the finish, do not place furniture in direct sunlight.
 - Do not put plastic or rubber rings under appliances. Use cloth or felt protectors.
 - To clean, use a soft or slightly damp cloth, then wipe with a clean, dry cloth.
-

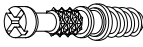

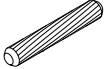

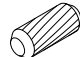
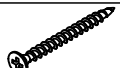
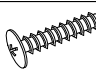
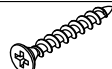
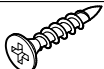



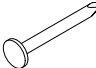
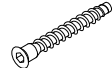

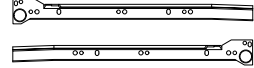
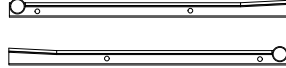
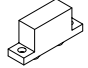
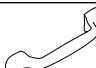
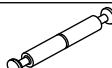
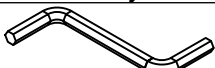
 **WARNING** 
AVERTISSEMENT

Serious or fatal crushing injuries can occur from furniture tip-over. To help prevent tip-over:

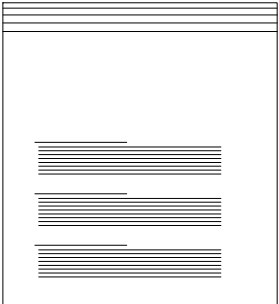




- It is important to place the safety bracket included.
- Place heaviest items in the lowest storage space.
- Never allow children to climb or hang on drawers, doors, or shelves.
- Never open more than one drawer at a time.
- If a heavy object is placed on top or inside the furniture, consider this risk.

Use of tip-over restraints reduce, but does not eliminate, the risk of tip-over.

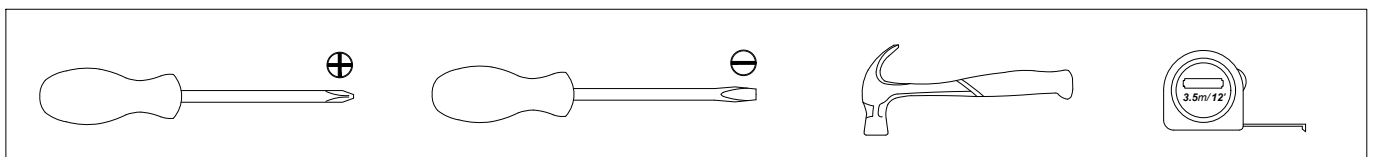
HARDWARE QUINCAILLERIE

| | | | | | |
|------|--|------|--|------|---|
| (1) | Minifix Bolt  50 pcs | (2) | Minifix Cam  52 pcs | (3) | Wood Dowel ϕ8x50mm  1 pc |
| (4) | Wood Dowel ϕ8x30mm  69 pcs | (5) | Wood Dowel ϕ8x20mm  2 pcs | (6) | Screw ϕ4x38mm  24 pcs |
| (7) | Handle Screw ϕ4x19mm  16 pcs | (8) | Screw ϕ4x28mm  20 pcs | (9) | Screw ϕ4x20mm  24 pcs |
| (10) | Screw ϕ3.5x15mm  58 pcs | (11) | Screw ϕ3x12mm  6 pcs | (12) | Euro Screw ϕ6.3x9mm  12 pcs |
| (13) | Nail  6 pcs | (14) | Unitar Screw ϕ6.3x50mm  1 pc | (15) | PVC L-Bracket  2 pcs |
| (16) | Drawer Slide 12"  6 sets | (17) | Drawer Slide 12"  6 sets | (18) | PVC Block - 35mm  12 pcs |
| (19) | Handle - 96mm  8 pcs | (20) | Double Head Minifix  1 pc | (21) | Allen Key M4  1 pc |


FURNITURE TIPPING RESTRAINT

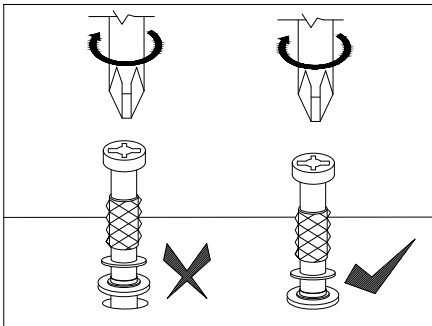
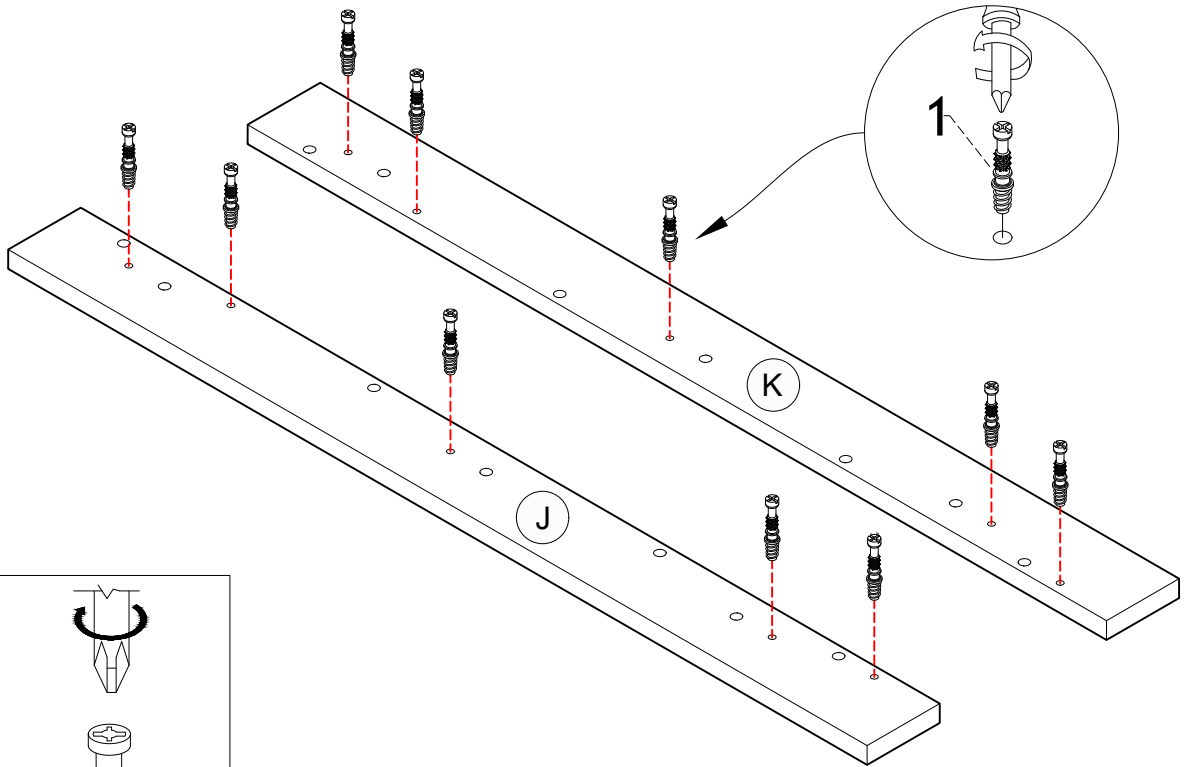
| | | | | |
|---|------|---|------|--|
|  x 1 | (22) | Mounting L-Bracket  2 pcs | (23) | Flat Washer ϕ6x16mm  2 pcs |
| | (24) | Screw #10x16mm  2 pcs | (25) | Screw ϕ4x38mm  2 pcs |

TOOLS NOT INCLUDED



STEP 1

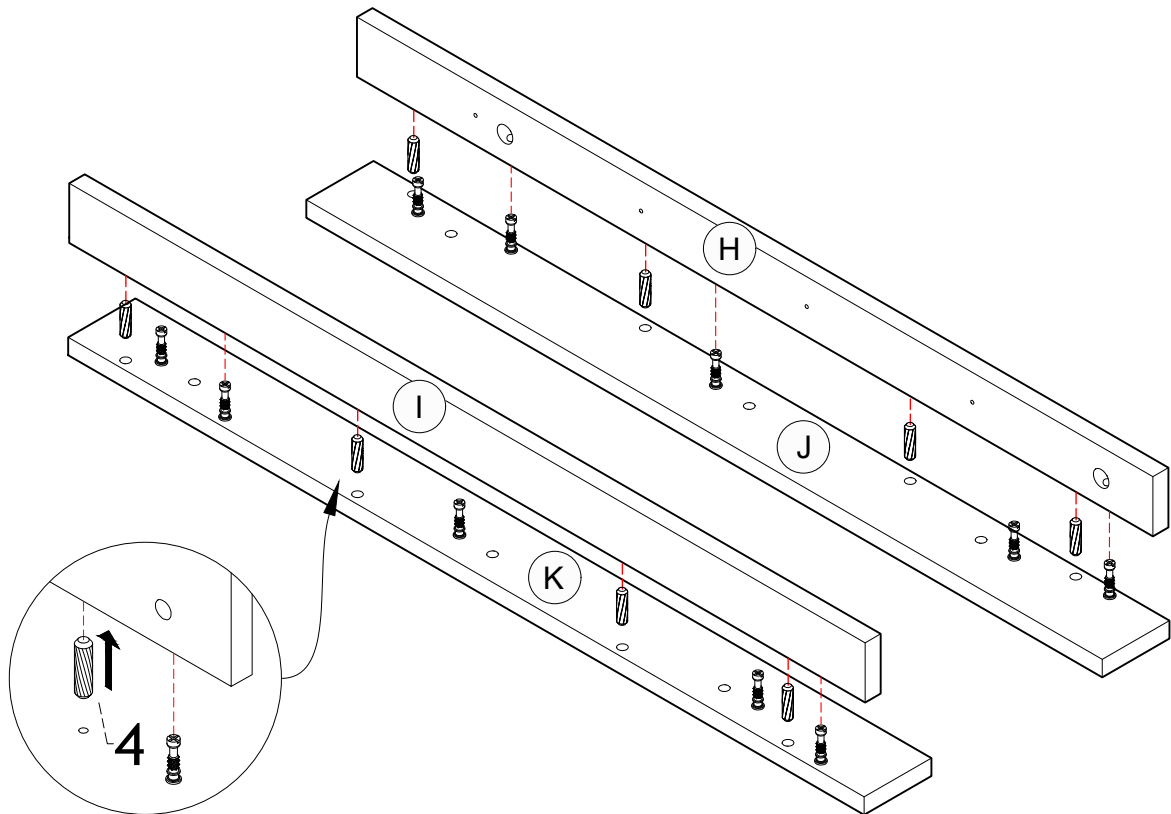
| | | |
|---|--|--------|
| 1 |  | 20 pcs |
|---|--|--------|



(2x)



STEP 2

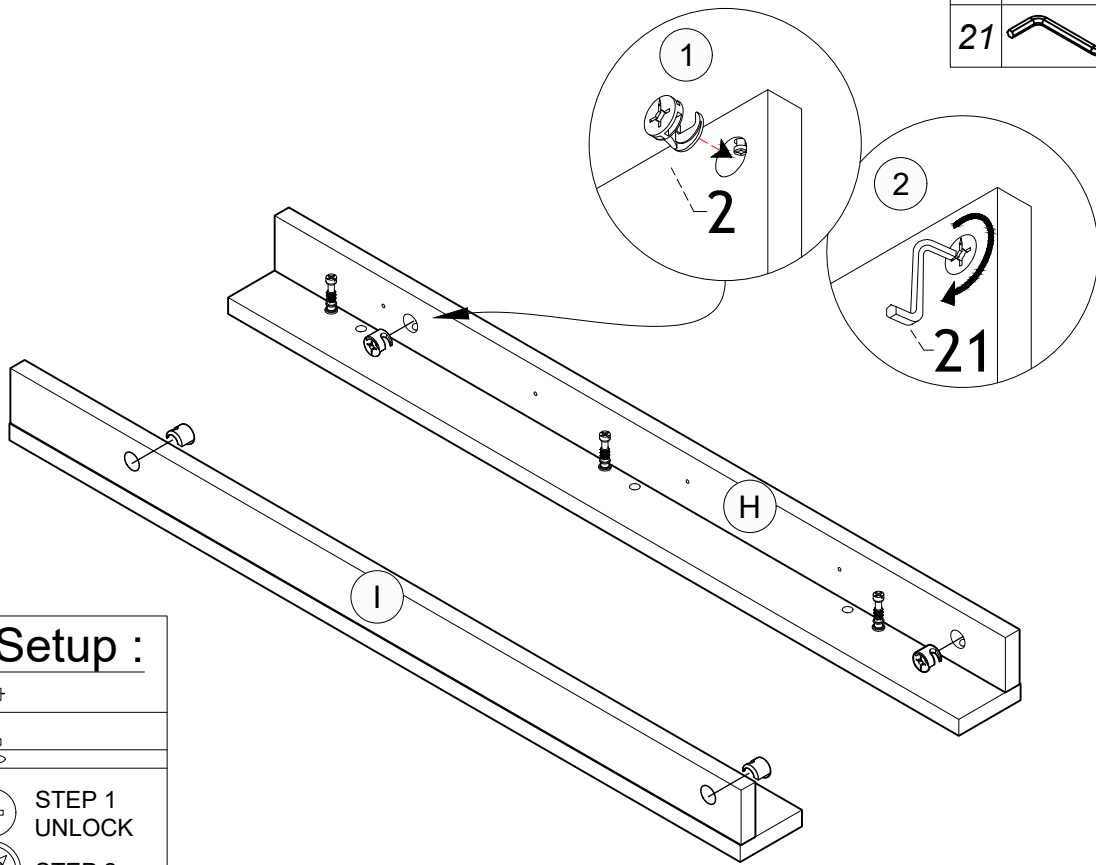
| | | |
|---|---|--------|
| 4 |  | 16 pcs |
|---|---|--------|







(2x)

STEP 3

| | | |
|----|---|-------|
| 2 |  | 8 pcs |
| 21 |  | 1 pc |



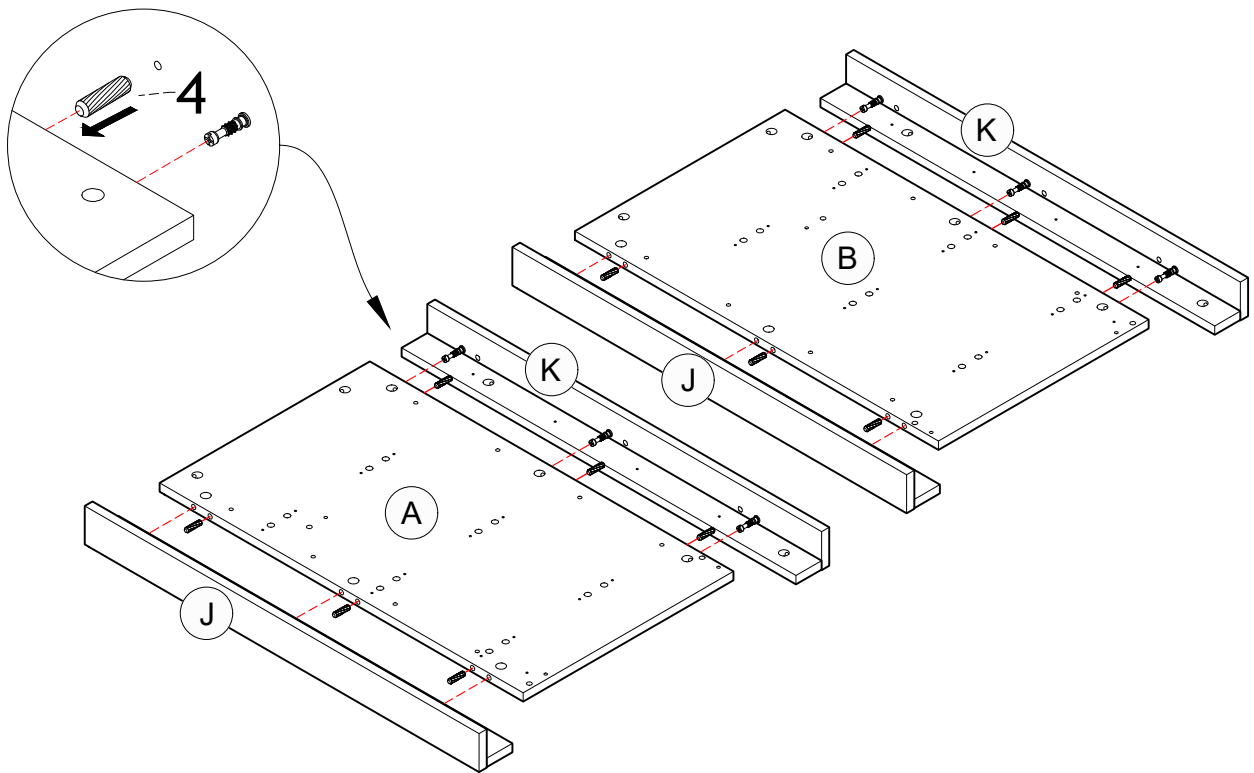
Minifix Setup :

| | |
|---|------------------|
|  | |
|  | STEP 1 UNLOCK |
|  | STEP 2 |
|  | STEP 3 LOCK |



(2x)

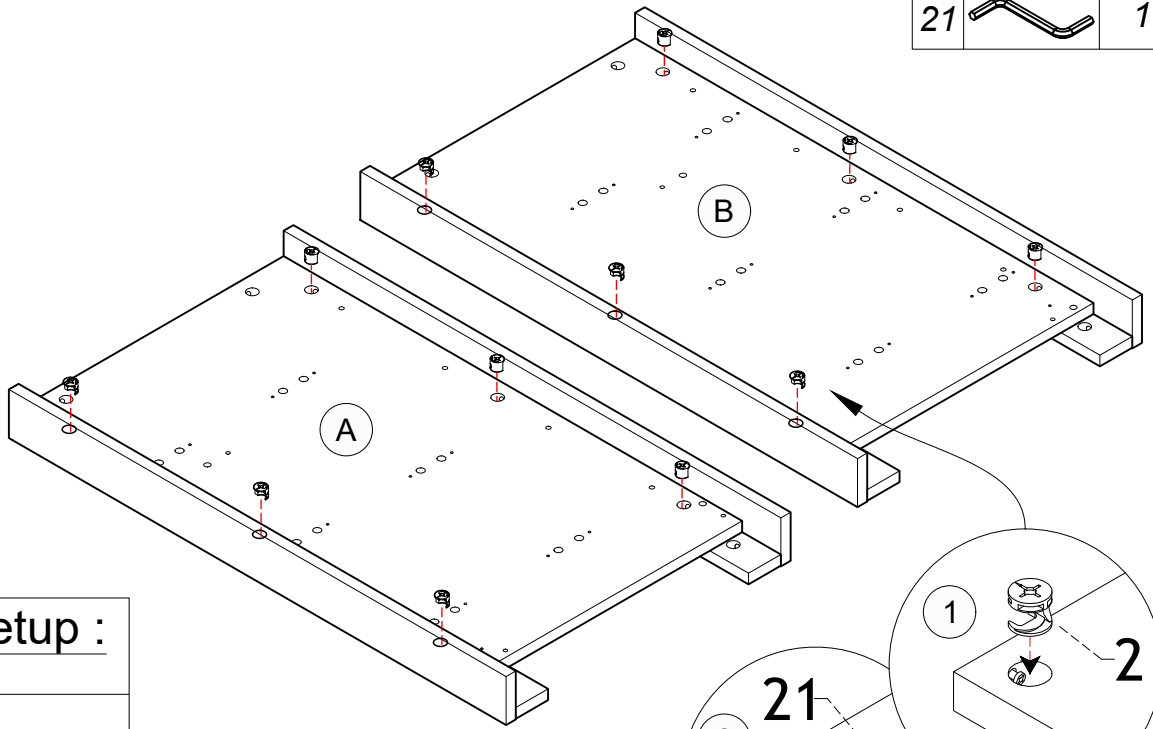
STEP 4

| | | |
|---|---|--------|
| 4 |  | 12 pcs |
|---|---|--------|






STEP 5

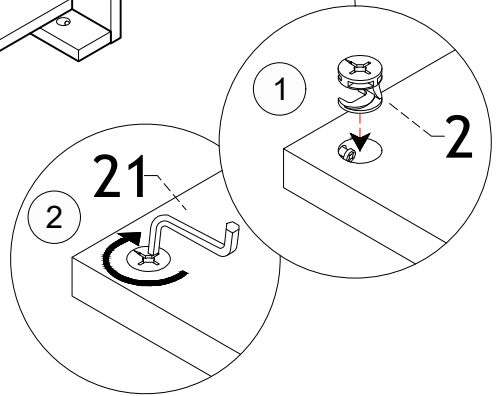
| | | |
|----|---|--------|
| 2 |  | 12 pcs |
| 21 |  | 1 pc |



Minifix Setup :

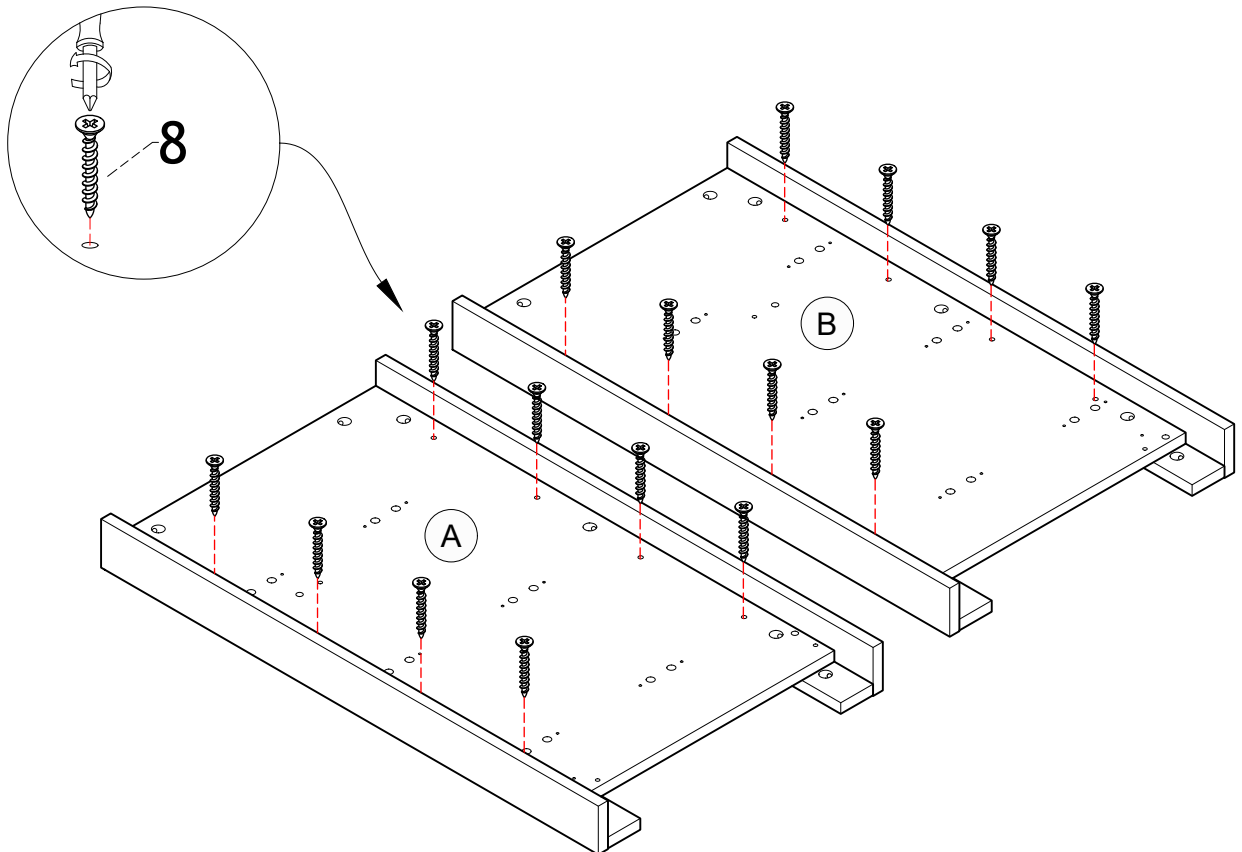


-  STEP 1 UNLOCK
-  STEP 2
-  STEP 3 LOCK


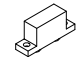


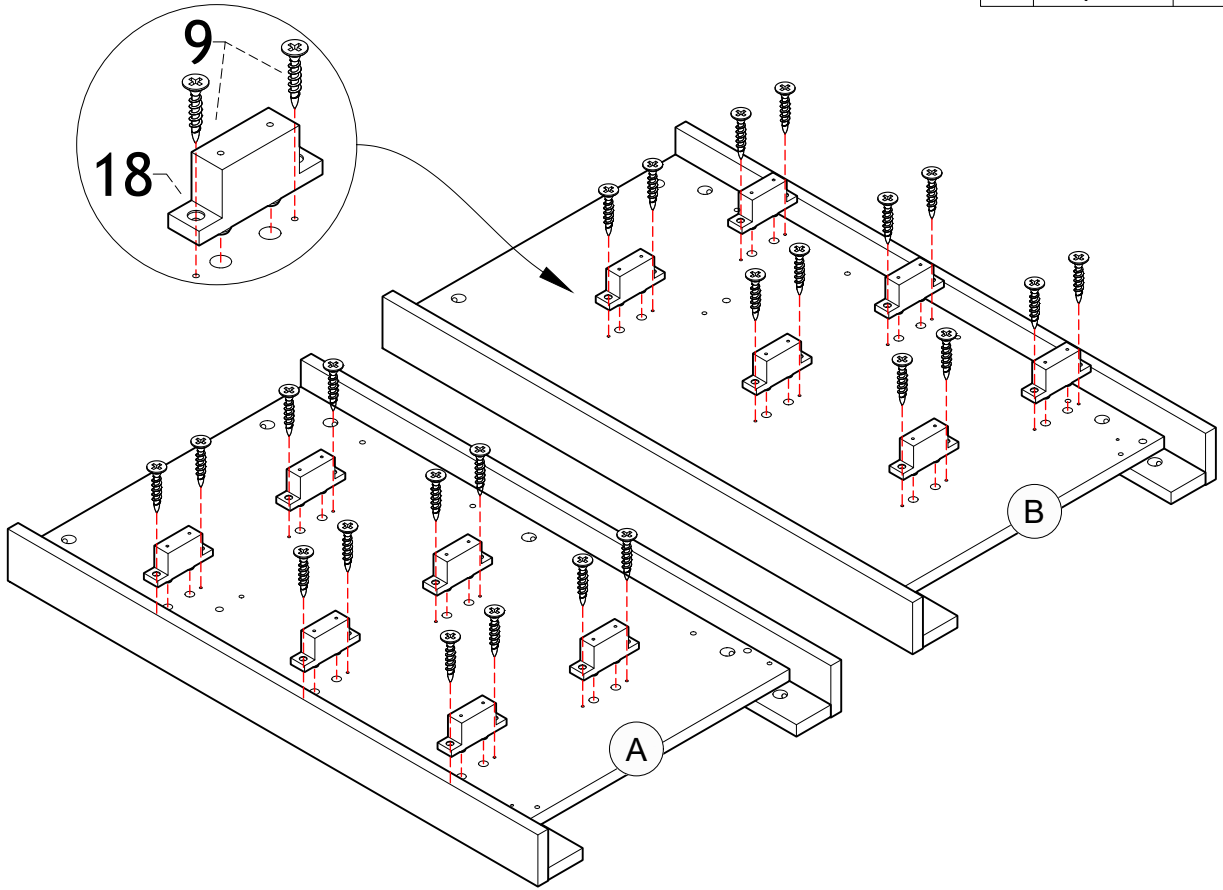
STEP 6

| | | |
|---|---|--------|
| 8 |  | 16 pcs |
|---|---|--------|





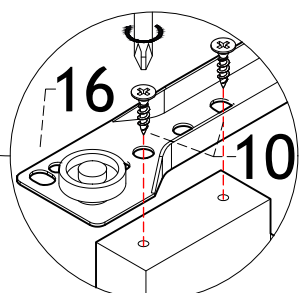
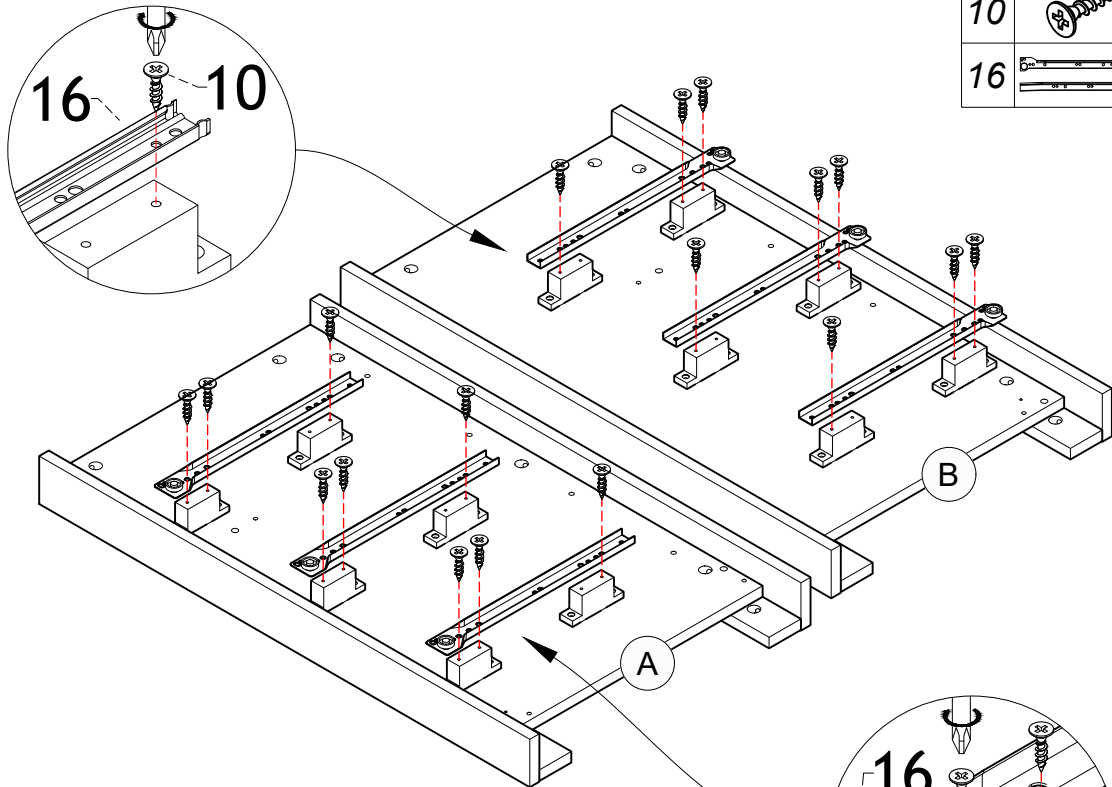
STEP 7

| | | |
|----|---|--------|
| 9 |  | 24 pcs |
| 18 |  | 12 pcs |




STEP 8

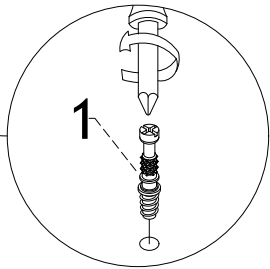
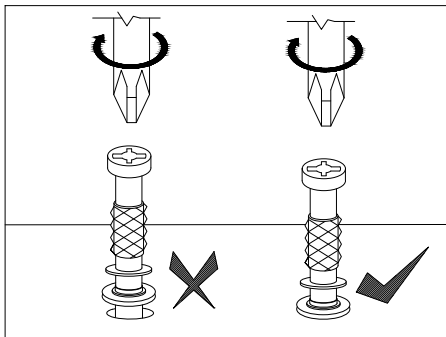
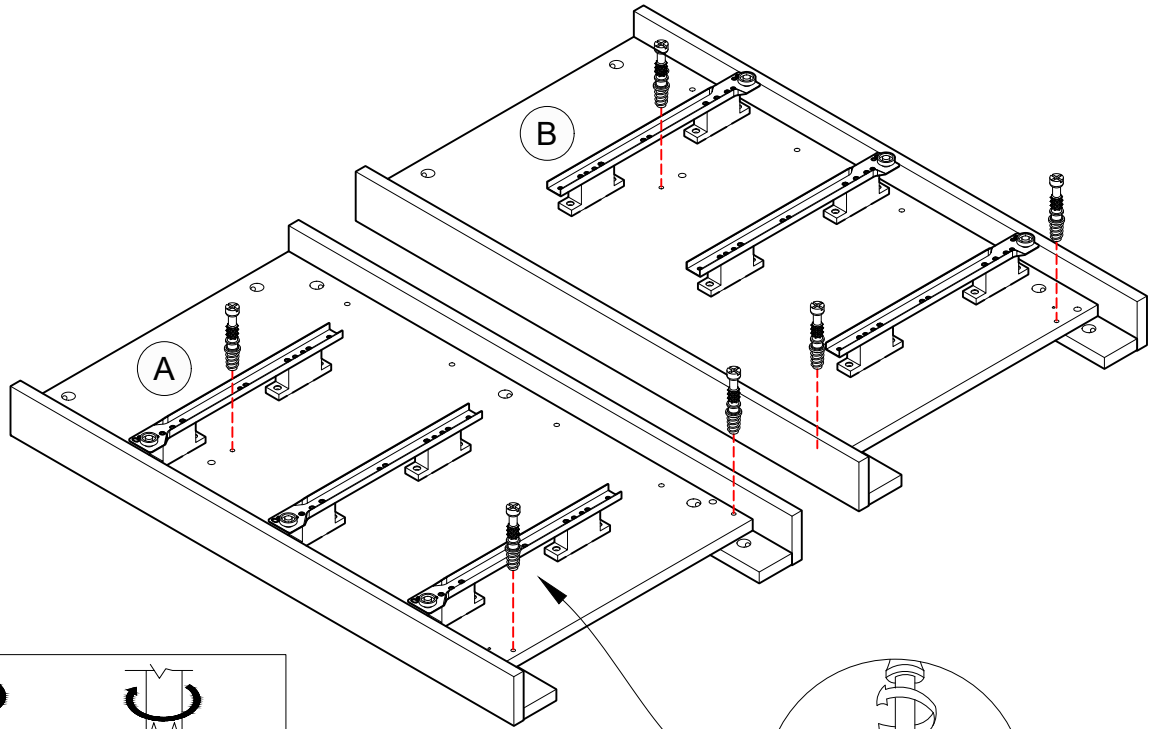
| | | |
|----|---|--------|
| 10 |  | 18 pcs |
| 16 |  | 3 sets |






PLEASE ENSURE TO FIX THE SCREWS AS PER ABOVE POINTED HOLES INSTRUCTION TO AVOID DISTORTION OF OVERALL LOOK OF PRODUCTS

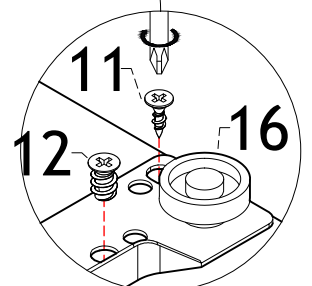
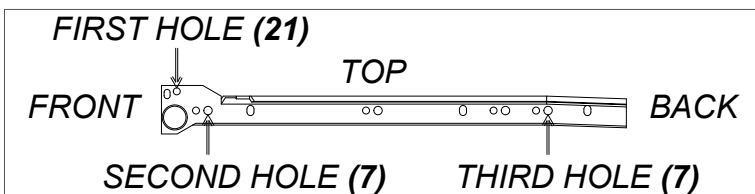
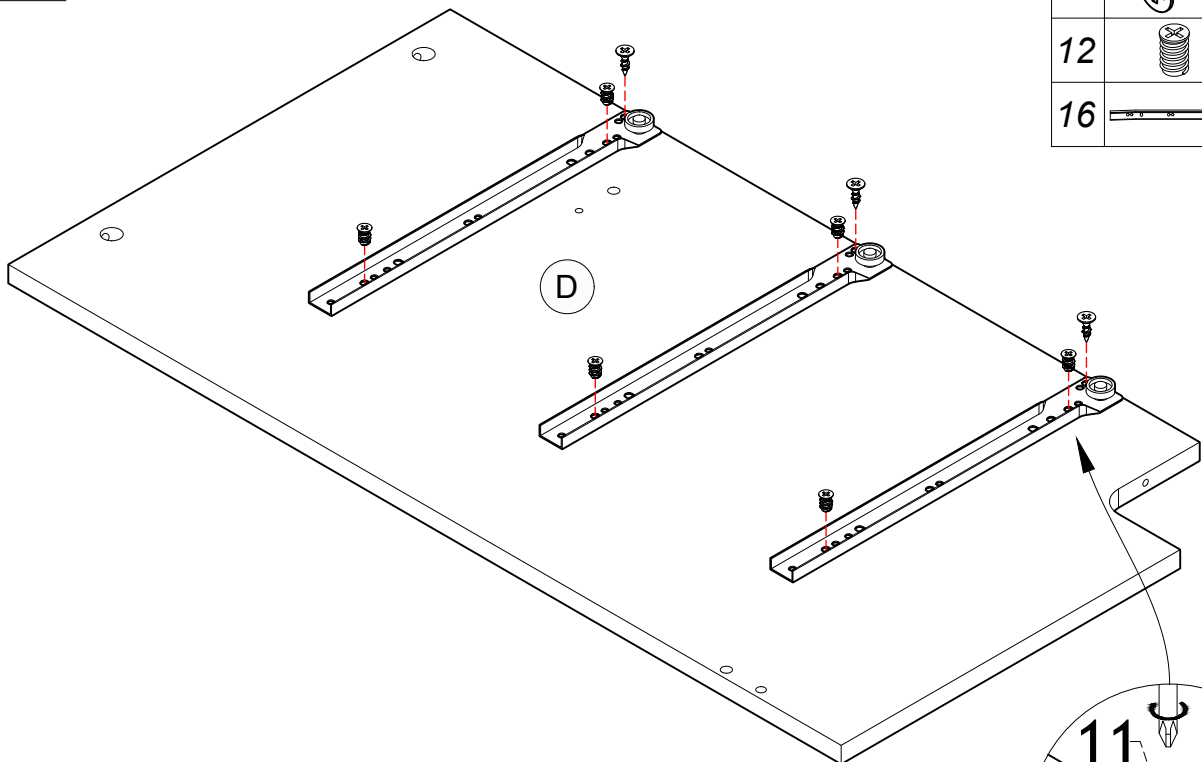
STEP 9

| | | |
|---|--|-------|
| 1 |  | 6 pcs |
|---|--|-------|




STEP 10

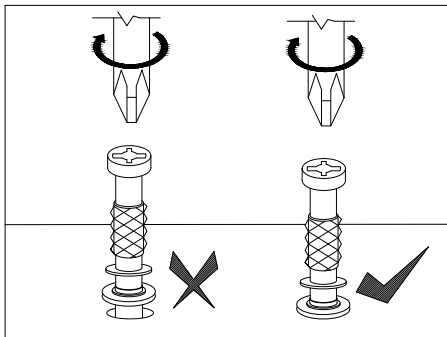
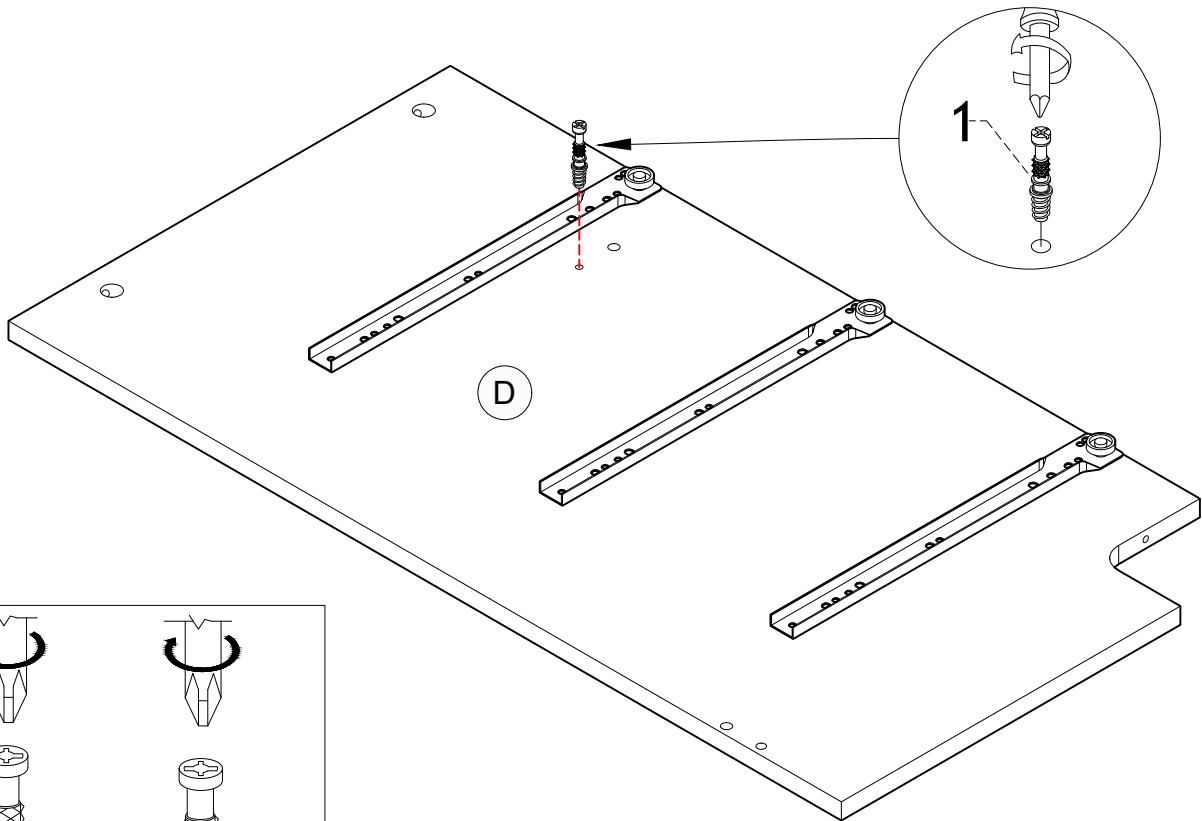
| | | |
|----|---|-------|
| 11 |  | 3 pcs |
| 12 |  | 6 pcs |
| 16 |  | 3 pcs |






PLEASE ENSURE TO FIX THE SCREWS AS PER ABOVE POINTED HOLES INSTRUCTION TO AVOID DISTORTION OF OVERALL LOOK OF PRODUCTS

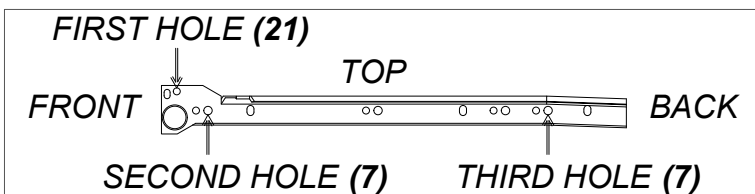
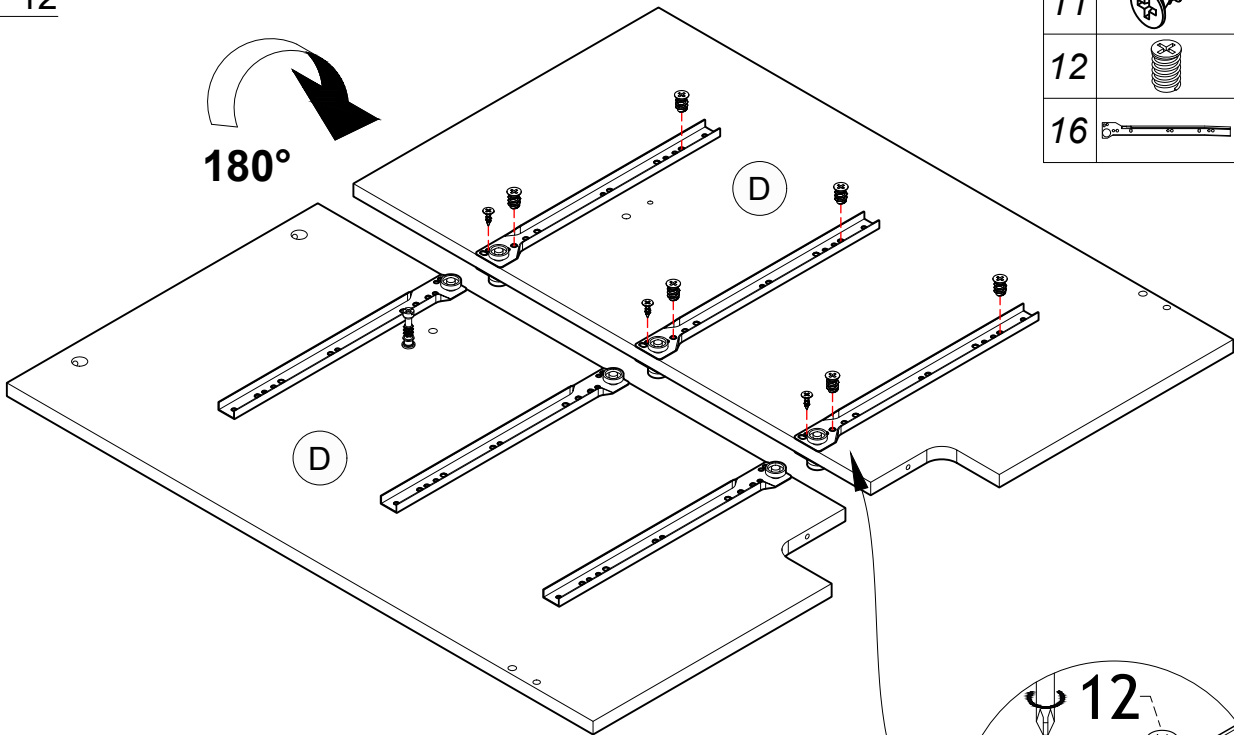
STEP 11

| | | |
|---|--|------|
| 1 |  | 1 pc |
|---|--|------|




STEP 12

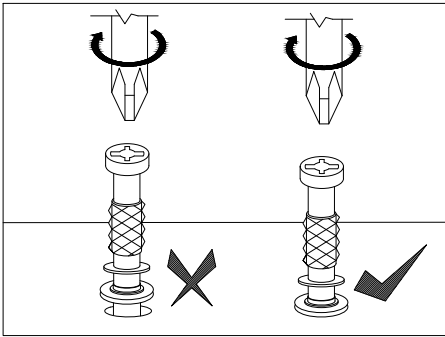
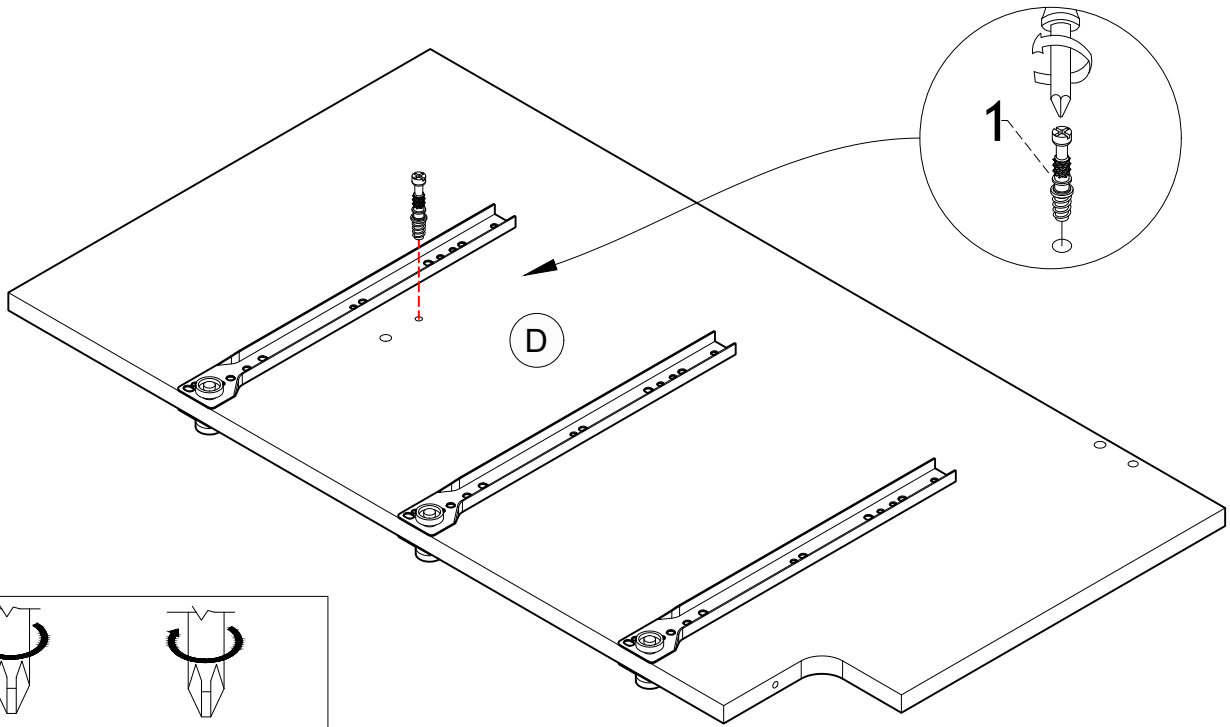
| | | |
|----|---|-------|
| 11 |  | 3 pcs |
| 12 |  | 6 pcs |
| 16 |  | 3 pcs |






PLEASE ENSURE TO FIX THE SCREWS AS PER ABOVE POINTED HOLES INSTRUCTION TO AVOID DISTORTION OF OVERALL LOOK OF PRODUCTS

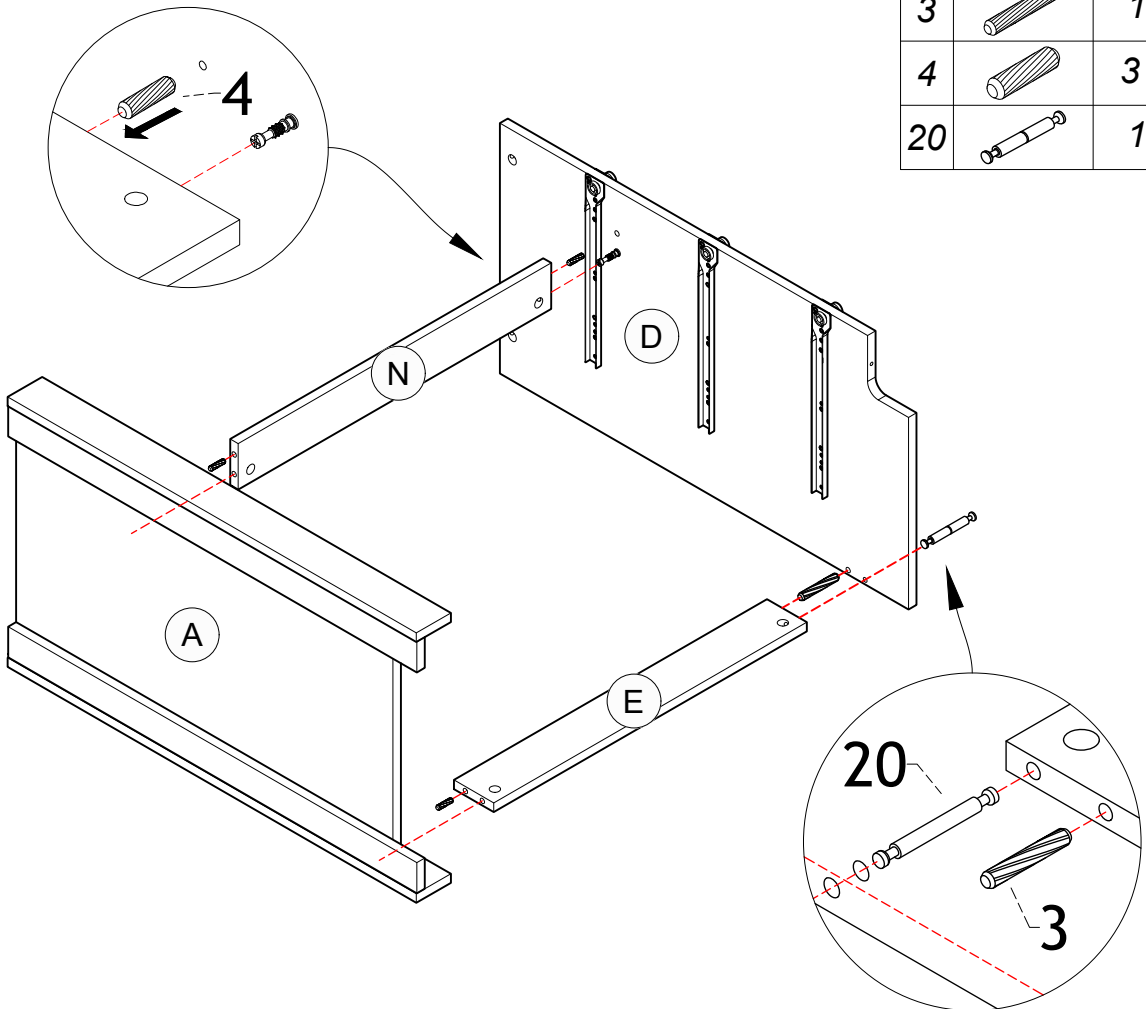
STEP 13

| | | |
|---|--|------|
| 1 |  | 1 pc |
|---|--|------|


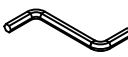


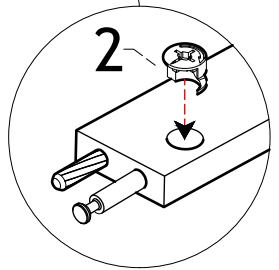
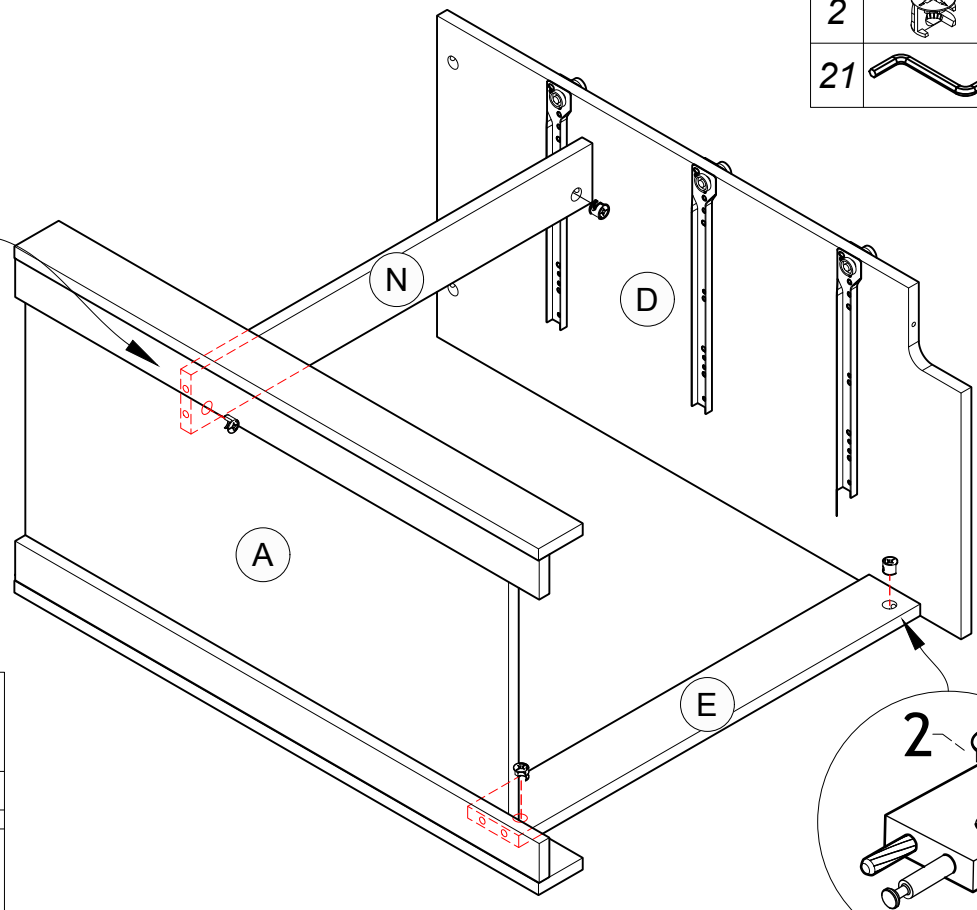
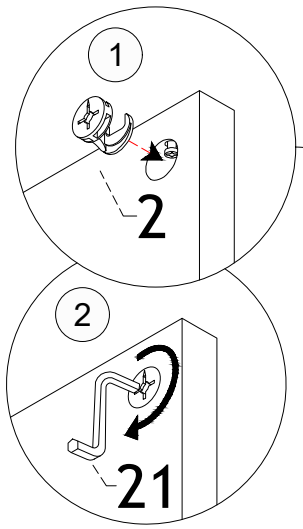
STEP 14

| | | |
|----|---|-------|
| 3 |  | 1 pc |
| 4 |  | 3 pcs |
| 20 |  | 1 pc |






STEP 15

| | | |
|----|---|-------|
| 2 |  | 4 pcs |
| 21 |  | 1 pc |





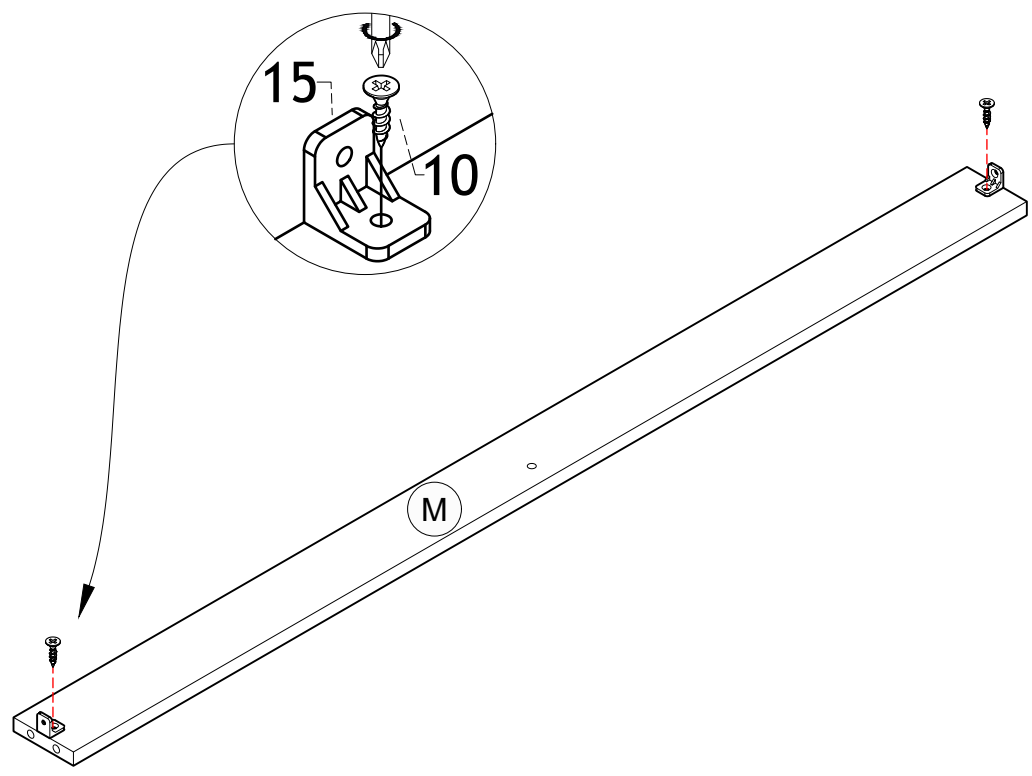
Minifix Setup :

 STEP 1
UNLOCK
 STEP 2
 STEP 3
LOCK


PLEASE DO NOT TIGHTEN MINIFIX CAM IN THIS STEP.

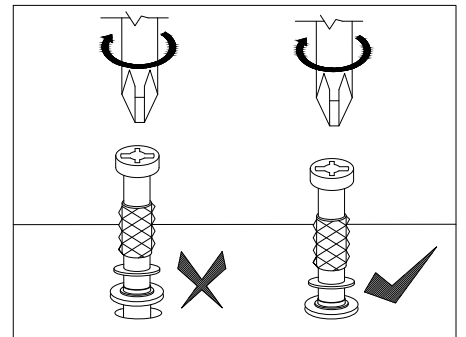
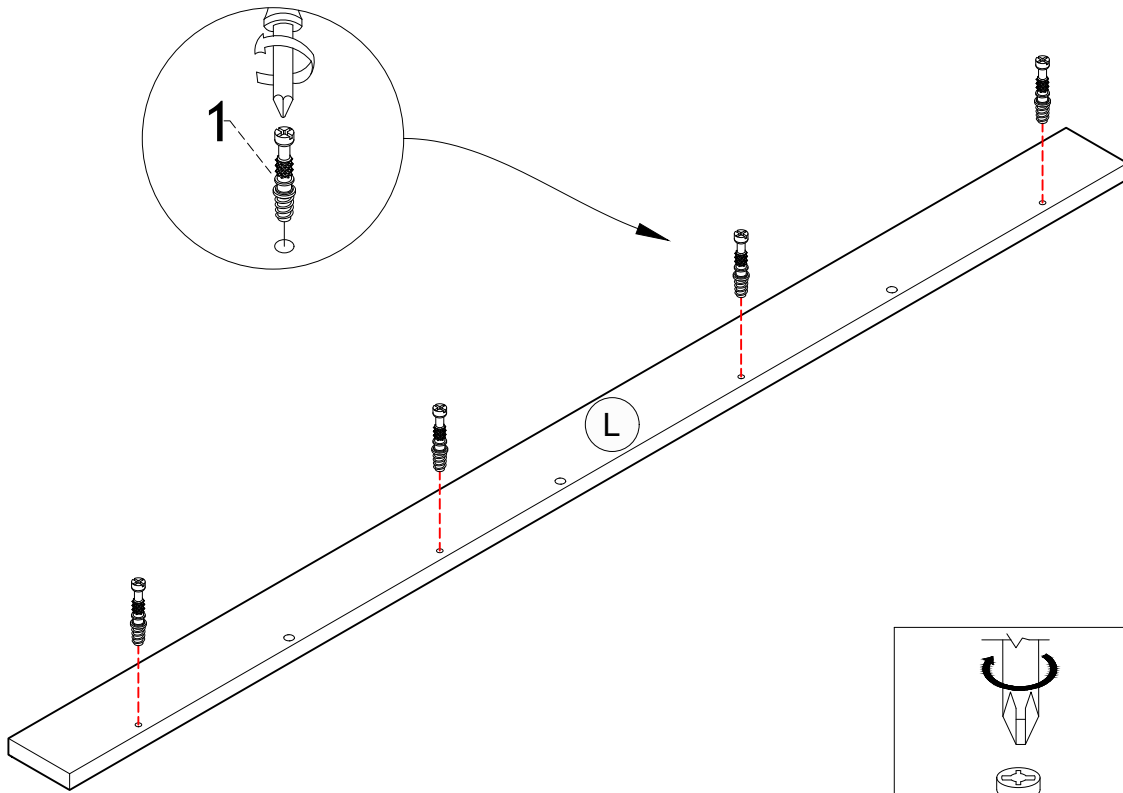
STEP 16

| | | |
|----|---|-------|
| 10 |  | 2 pcs |
| 15 |  | 2 pcs |



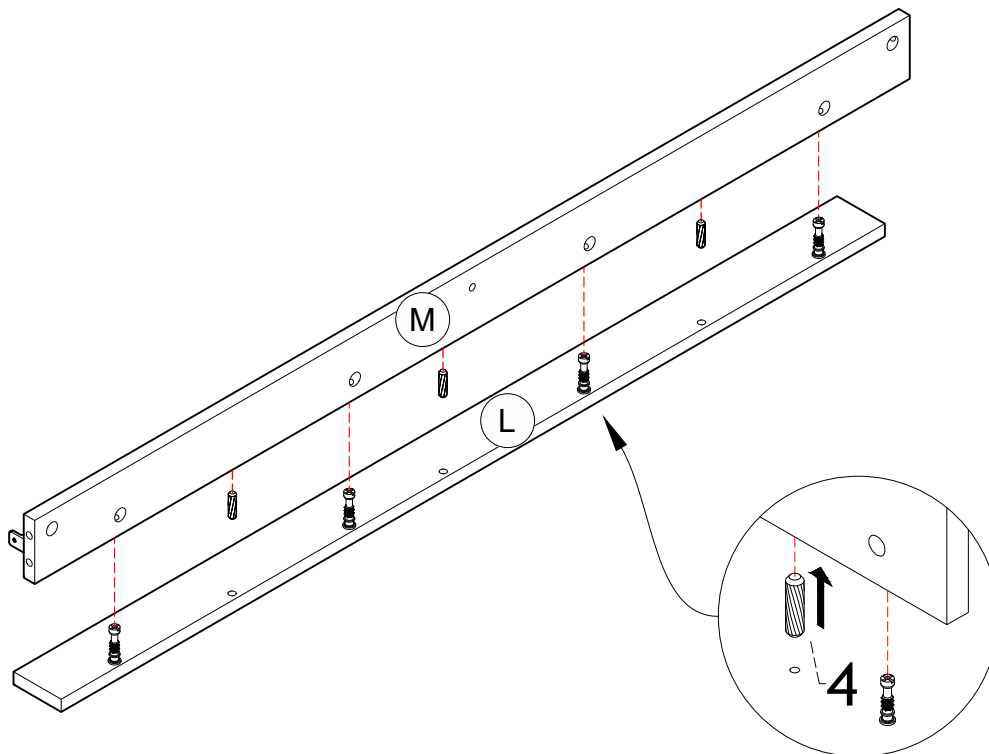
STEP 17

1  4 pcs





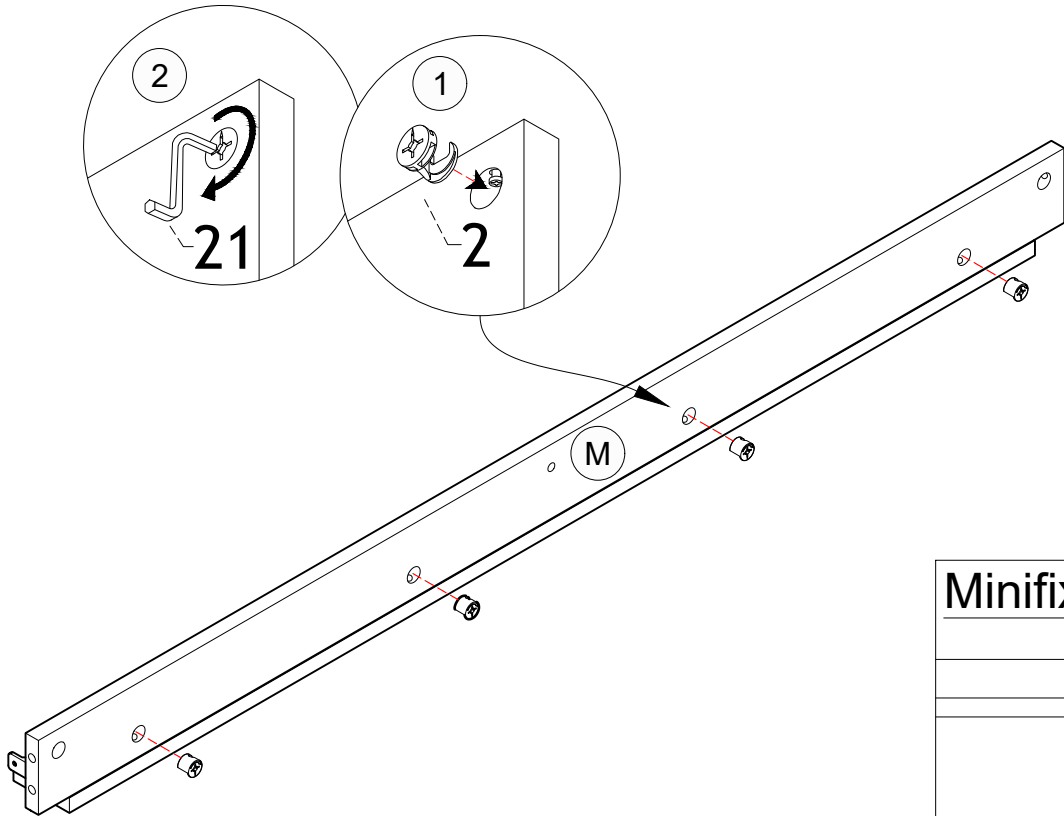
STEP 18

4  3 pcs





STEP 19


| | | |
|----|---|-------|
| 2 |  | 4 pcs |
| 21 |  | 1 pc |




Minifix Setup :



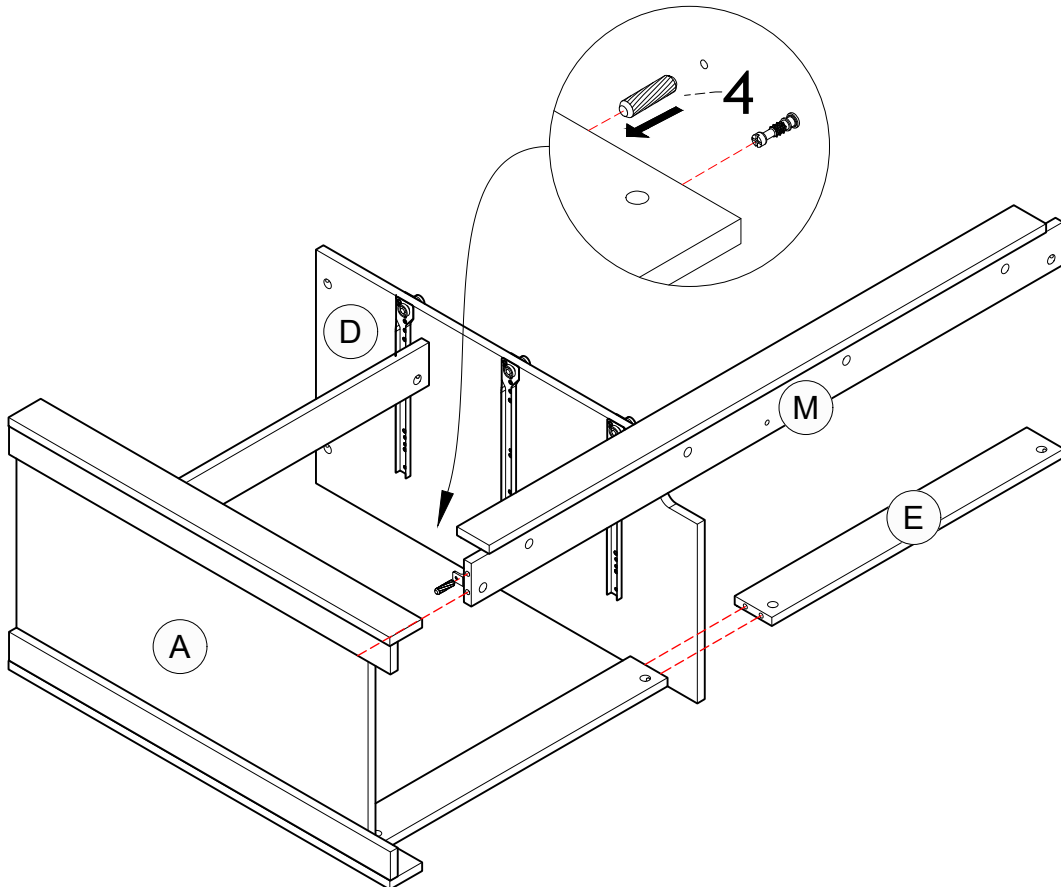
 STEP 1
UNLOCK

 STEP 2



 STEP 3
LOCK

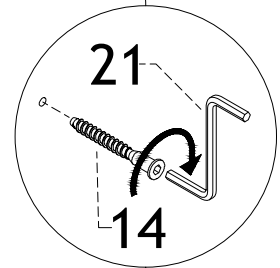
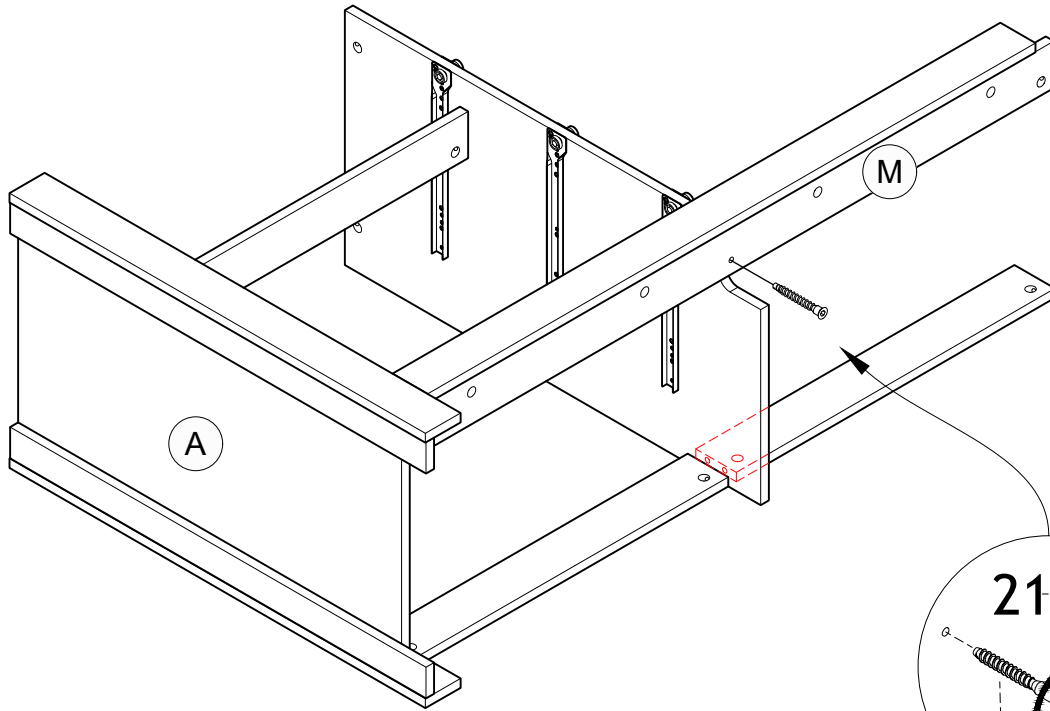
STEP 20

| | | |
|---|---|------|
| 4 |  | 1 pc |
|---|---|------|






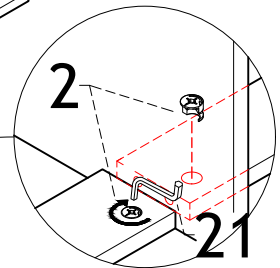
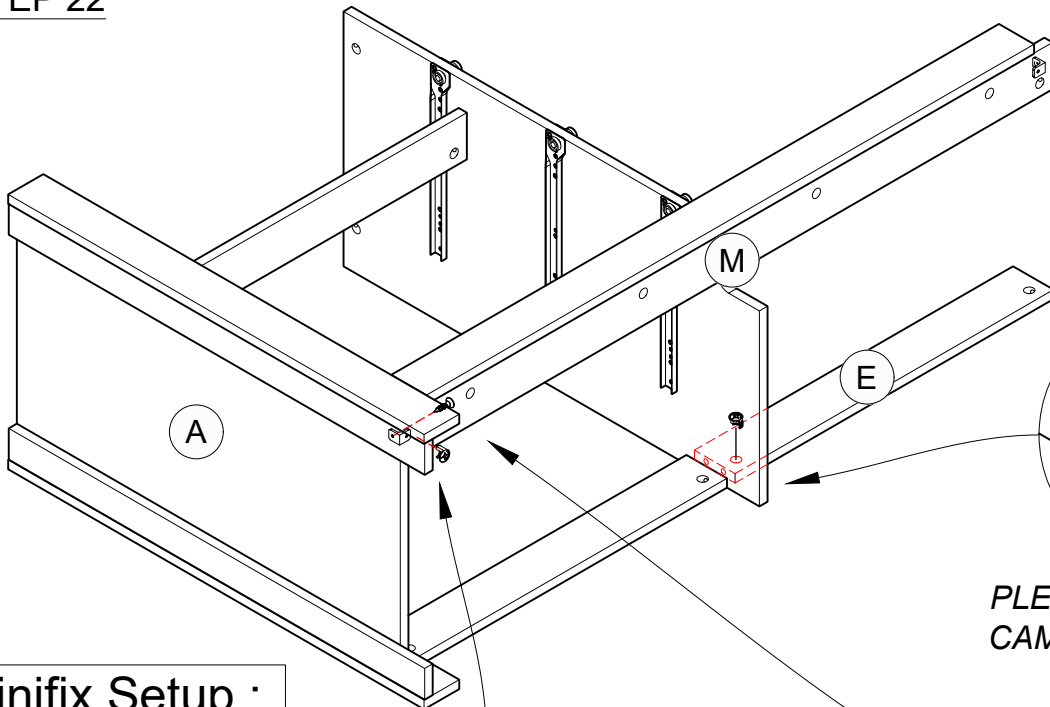
STEP 21

| | | |
|----|---|------|
| 14 |  | 1 pc |
| 21 |  | 1 pc |



STEP 22

| | | |
|----|---|-------|
| 2 |  | 2 pcs |
| 10 |  | 1 pc |
| 21 |  | 1 pc |



PLEASE TIGHTEN MINIFIX CAM IN THIS STEP.

Minifix Setup :



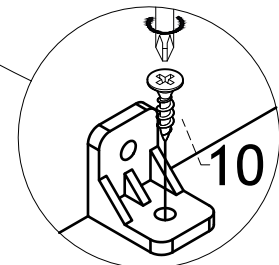
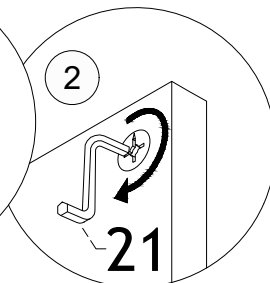
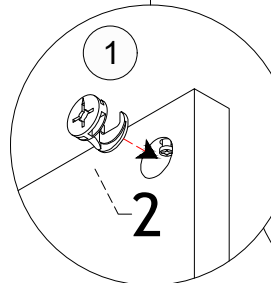
STEP 1
UNLOCK



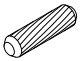
STEP 2

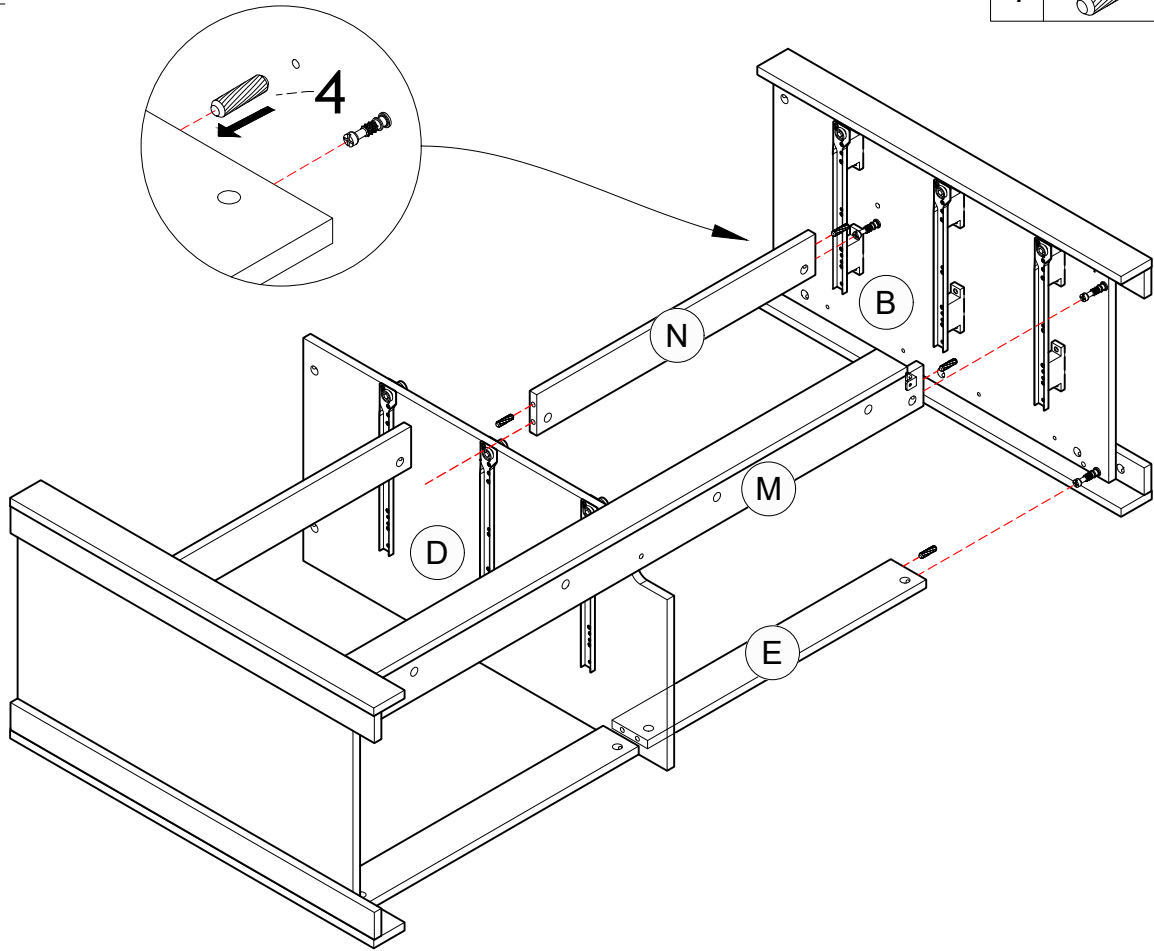


STEP 3
LOCK






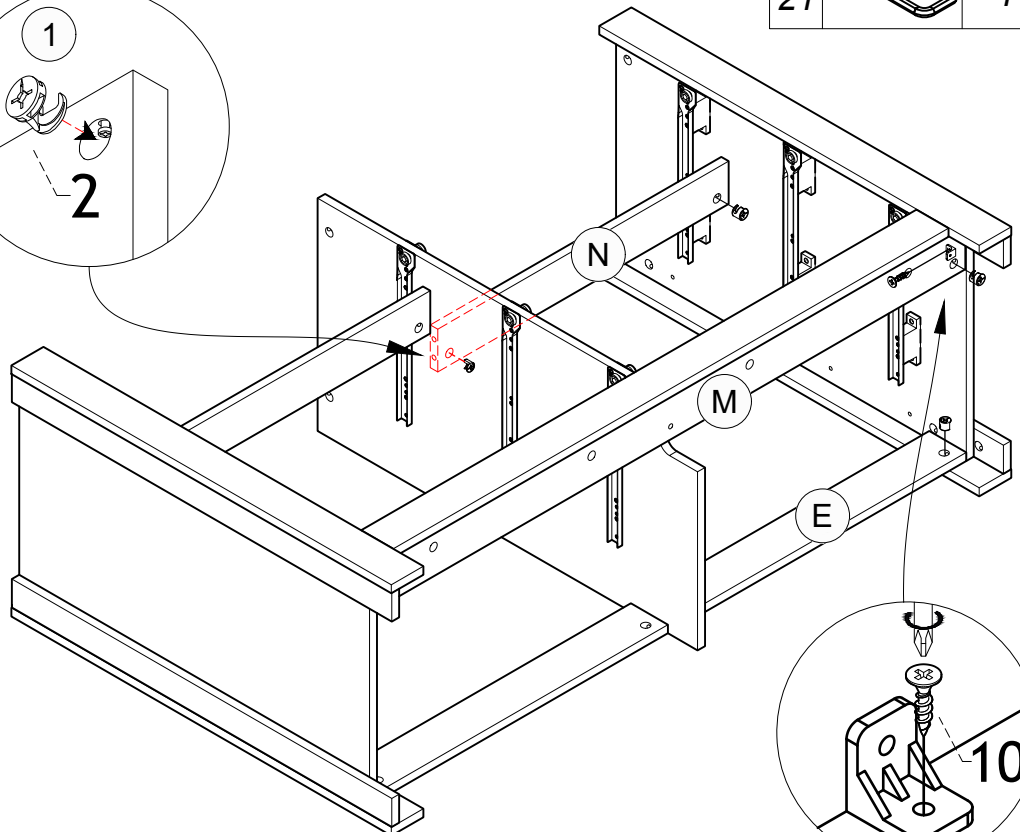
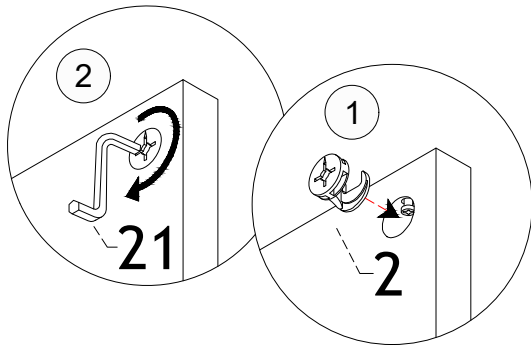
STEP 23

| | | |
|---|--|-------|
| 4 |  | 4 pcs |
|---|--|-------|



STEP 24

| | | |
|----|---|-------|
| 2 |  | 4 pcs |
| 10 |  | 1 pc |
| 21 |  | 1 pc |




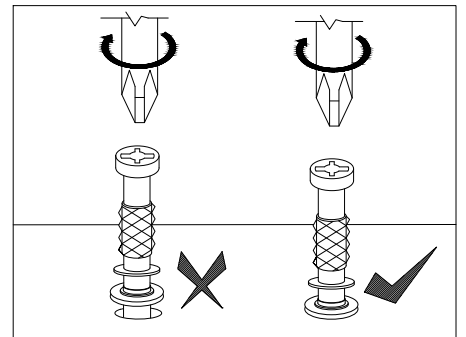
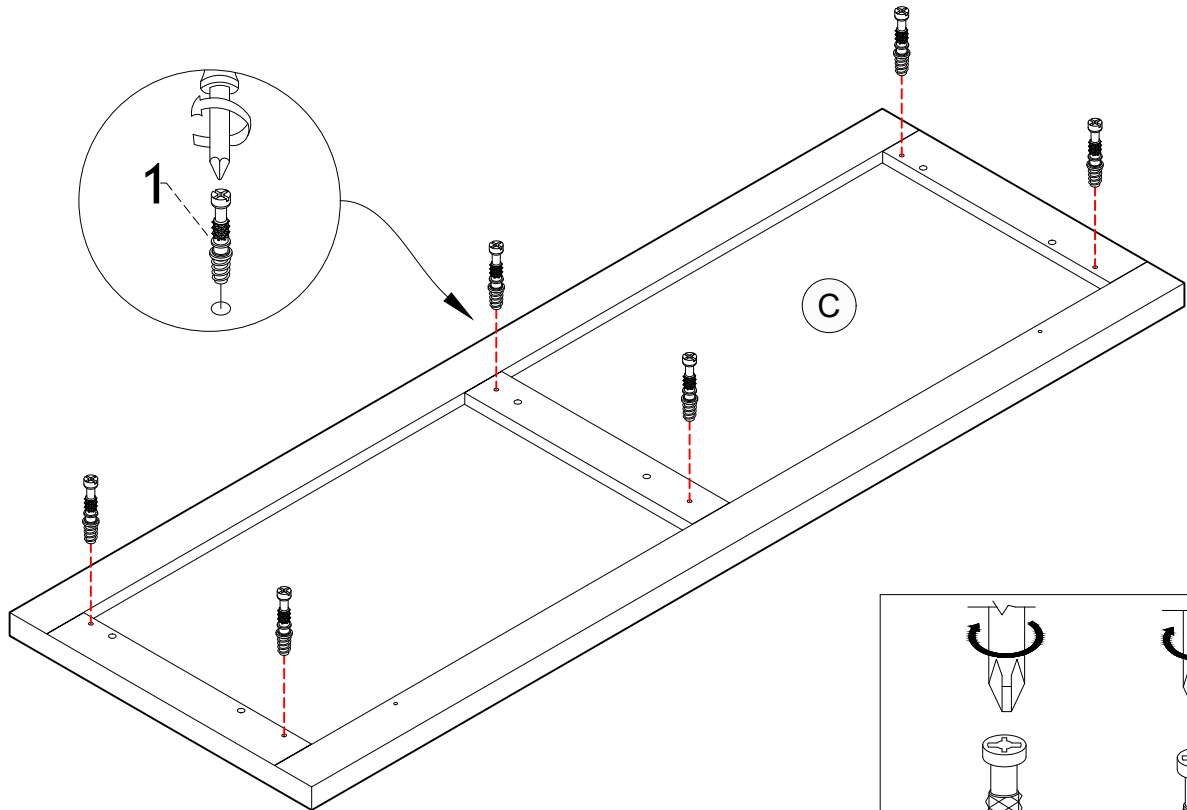
Minifix Setup :






-  STEP 1
UNLOCK
-  STEP 2
-  STEP 3
LOCK

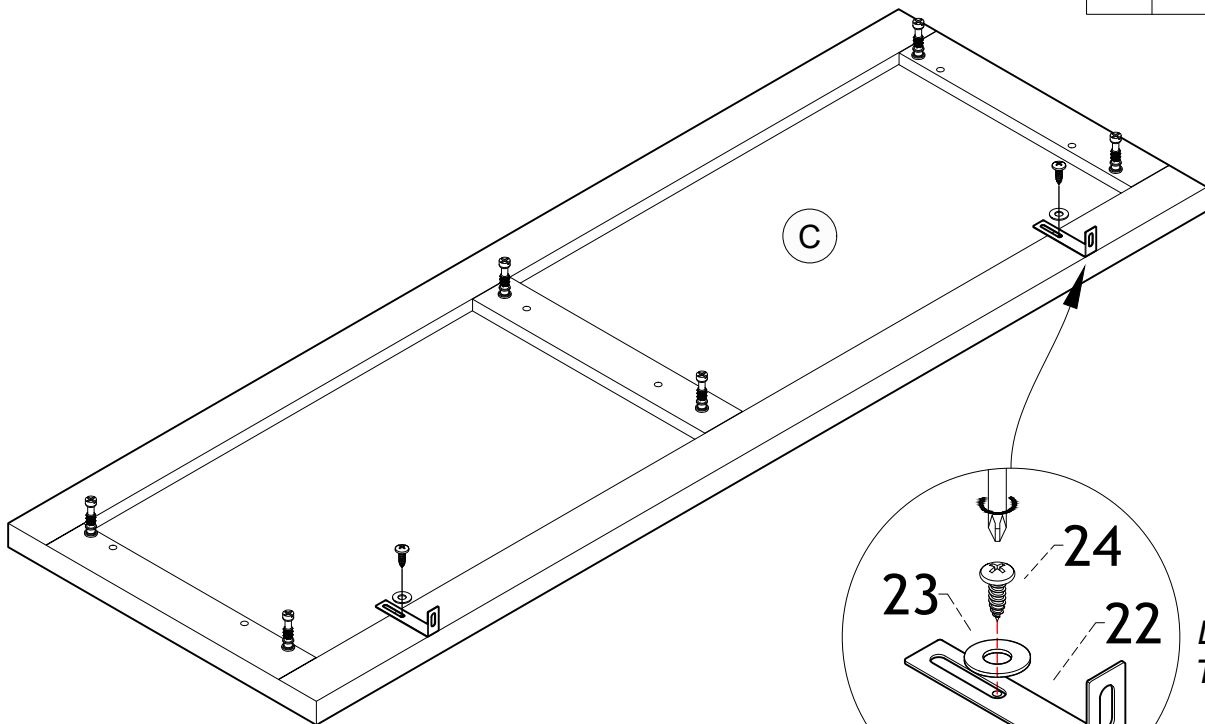
STEP 25

| | | |
|---|--|-------|
| 1 |  | 6 pcs |
|---|--|-------|



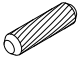
STEP 26

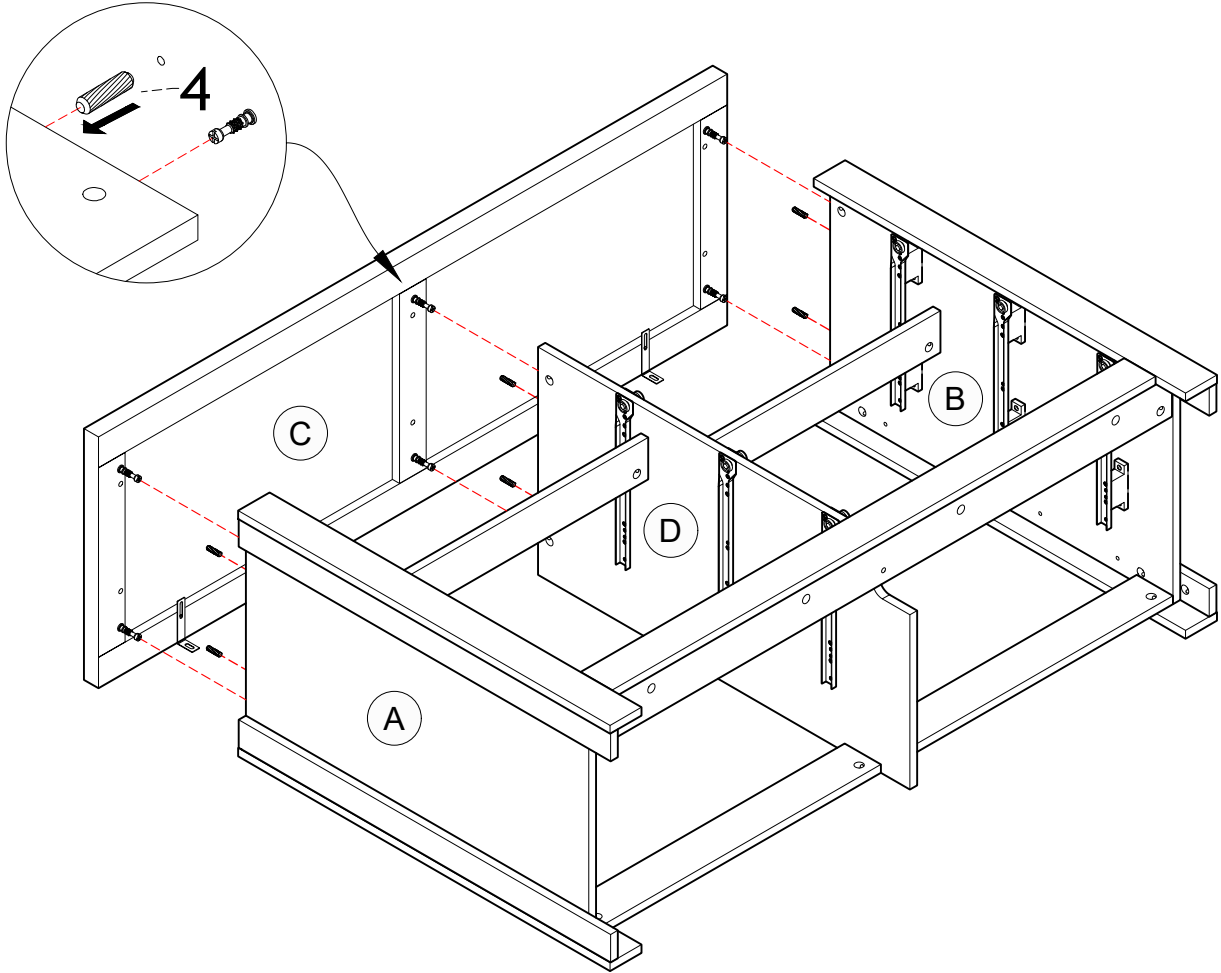
| | | |
|----|---|-------|
| 22 |  | 2 pcs |
| 23 |  | 2 pcs |
| 24 |  | 2 pcs |





DO NOT FIT TOO TIGHT.

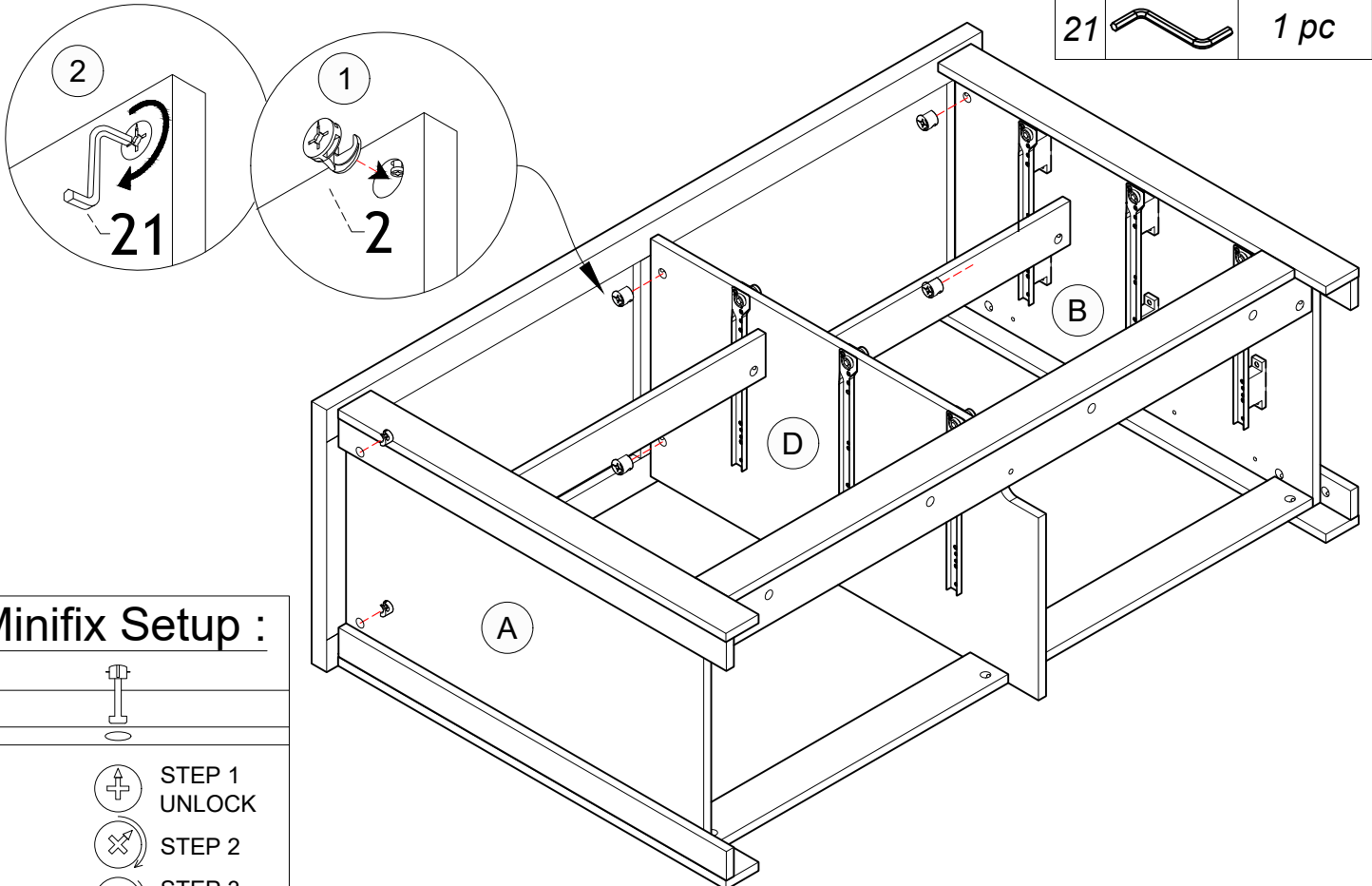
STEP 27

| | | |
|---|--|-------|
| 4 |  | 6 pcs |
|---|--|-------|






STEP 28



| | | |
|----|---|-------|
| 2 |  | 6 pcs |
| 21 |  | 1 pc |

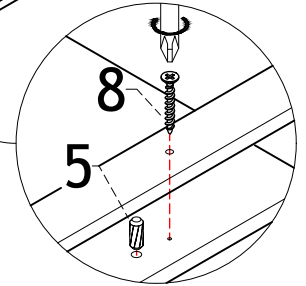
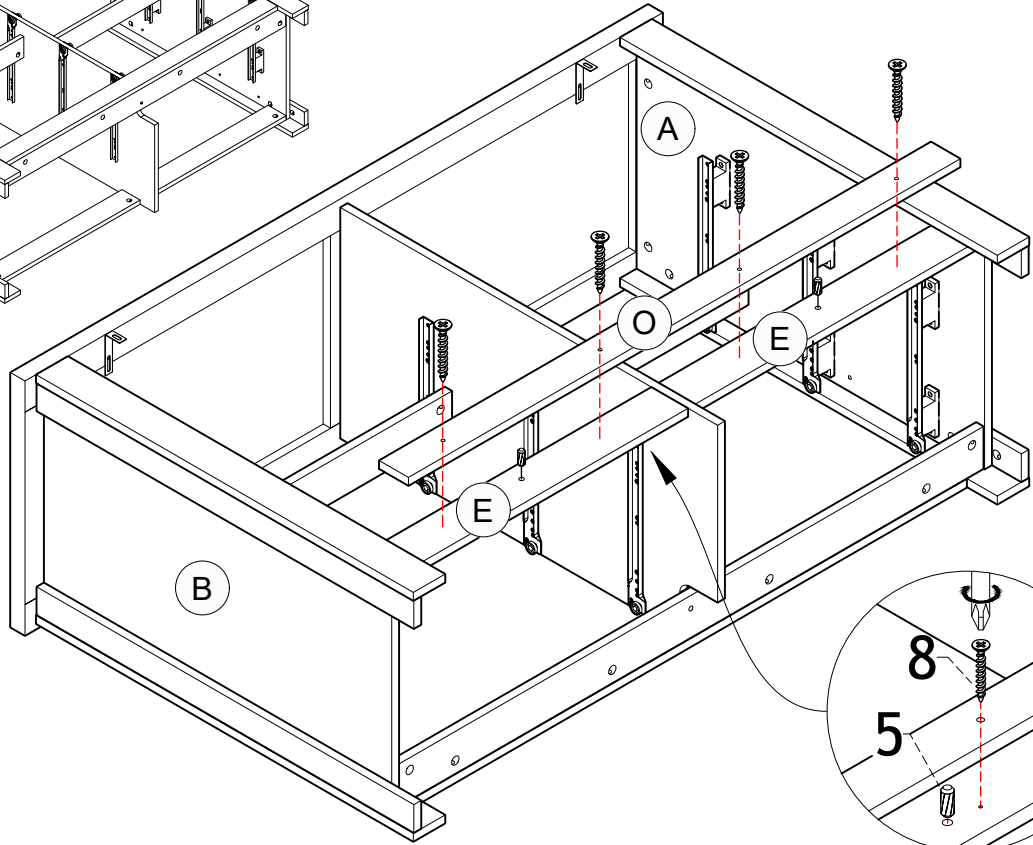
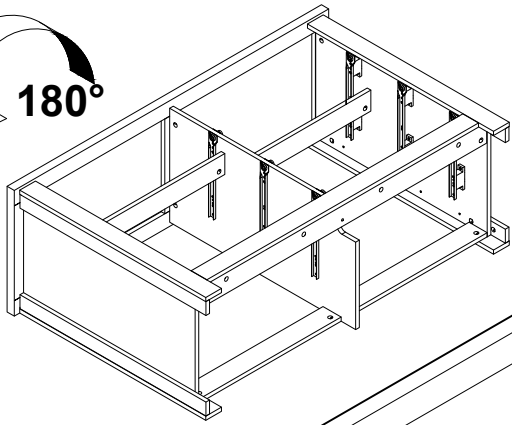
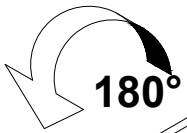


Minifix Setup :

-  STEP 1
UNLOCK
-  STEP 2
-  STEP 3
LOCK

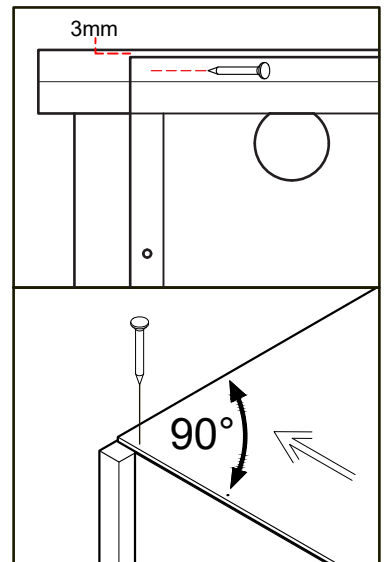
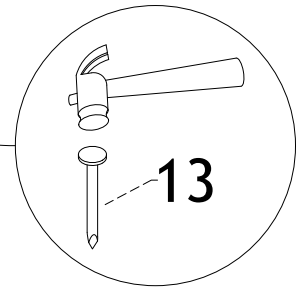
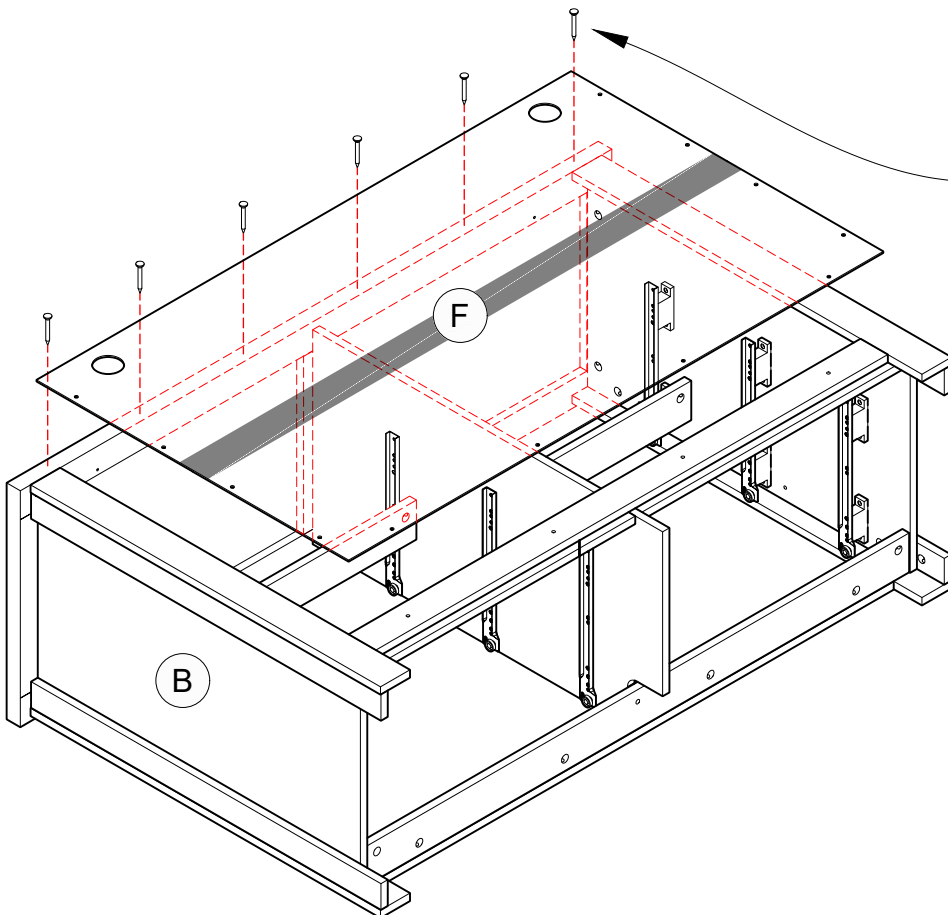
STEP 29

| | | |
|---|---|-------|
| 5 |  | 2 pcs |
| 8 |  | 4 pcs |



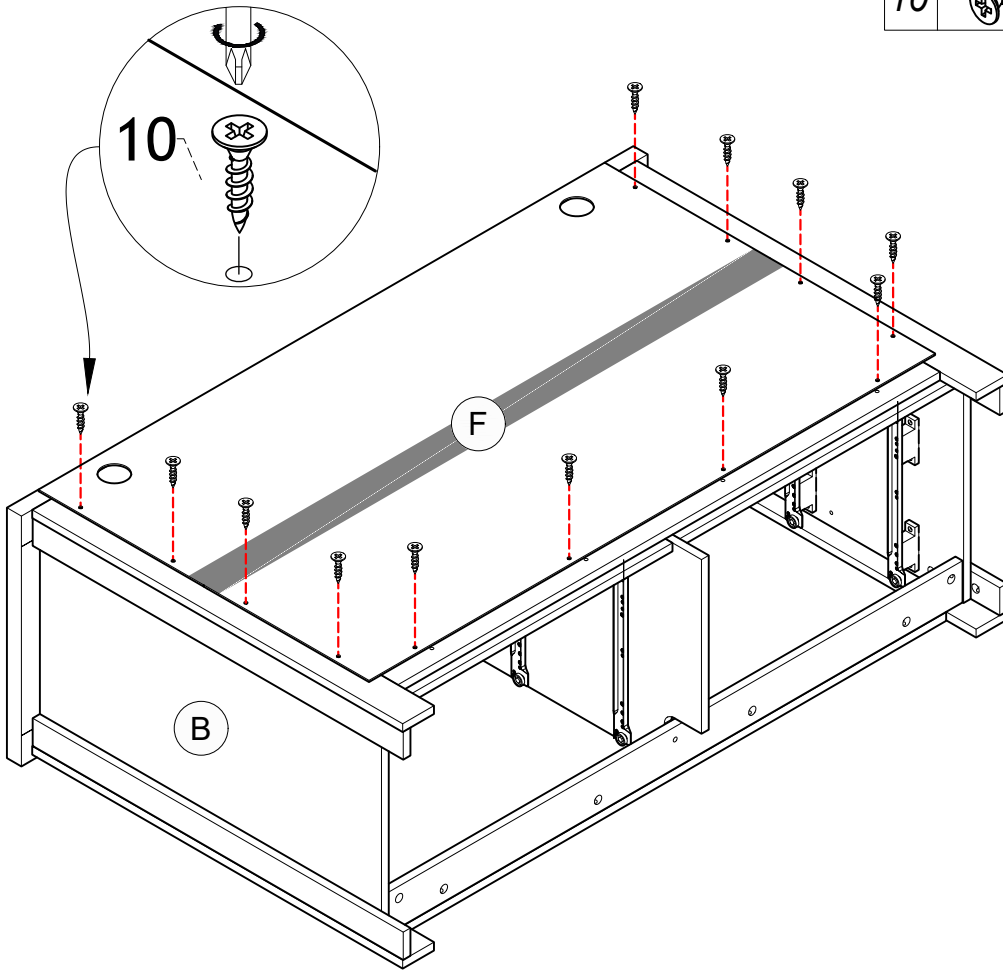
STEP 30

| | | |
|----|---|-------|
| 13 |  | 6 pcs |
|----|---|-------|

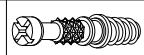


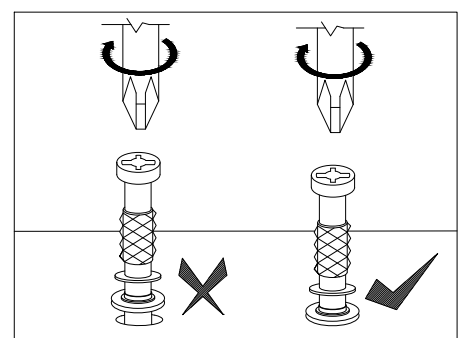
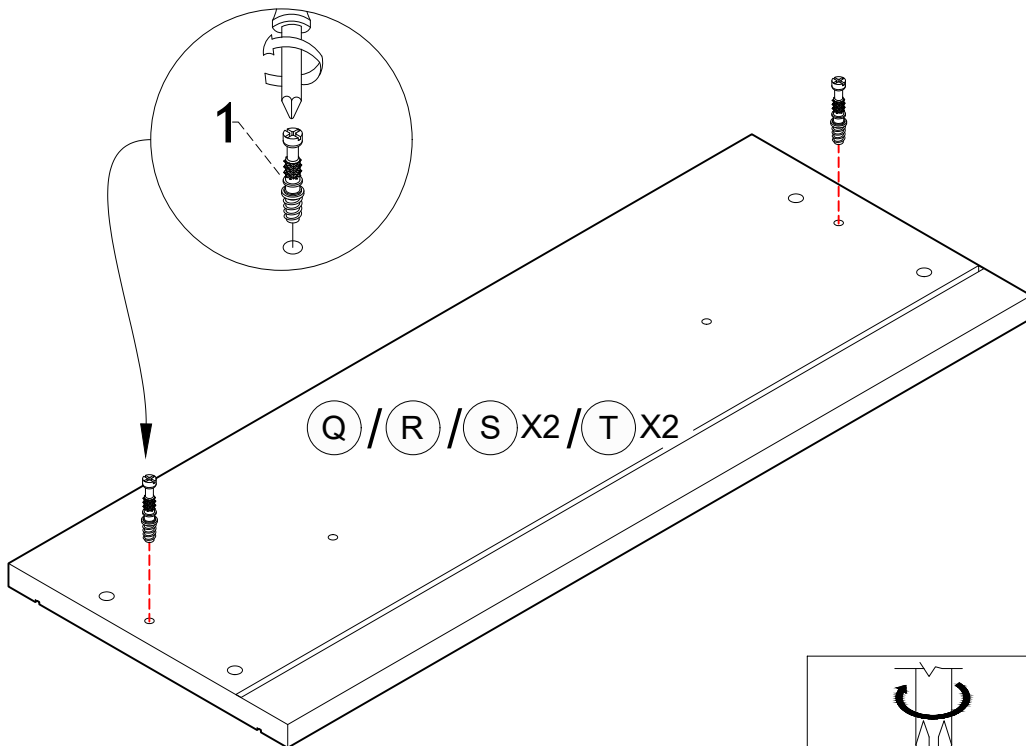
STEP 31

| | | |
|----|--|--------|
| 10 |  | 12 pcs |
|----|--|--------|

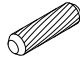


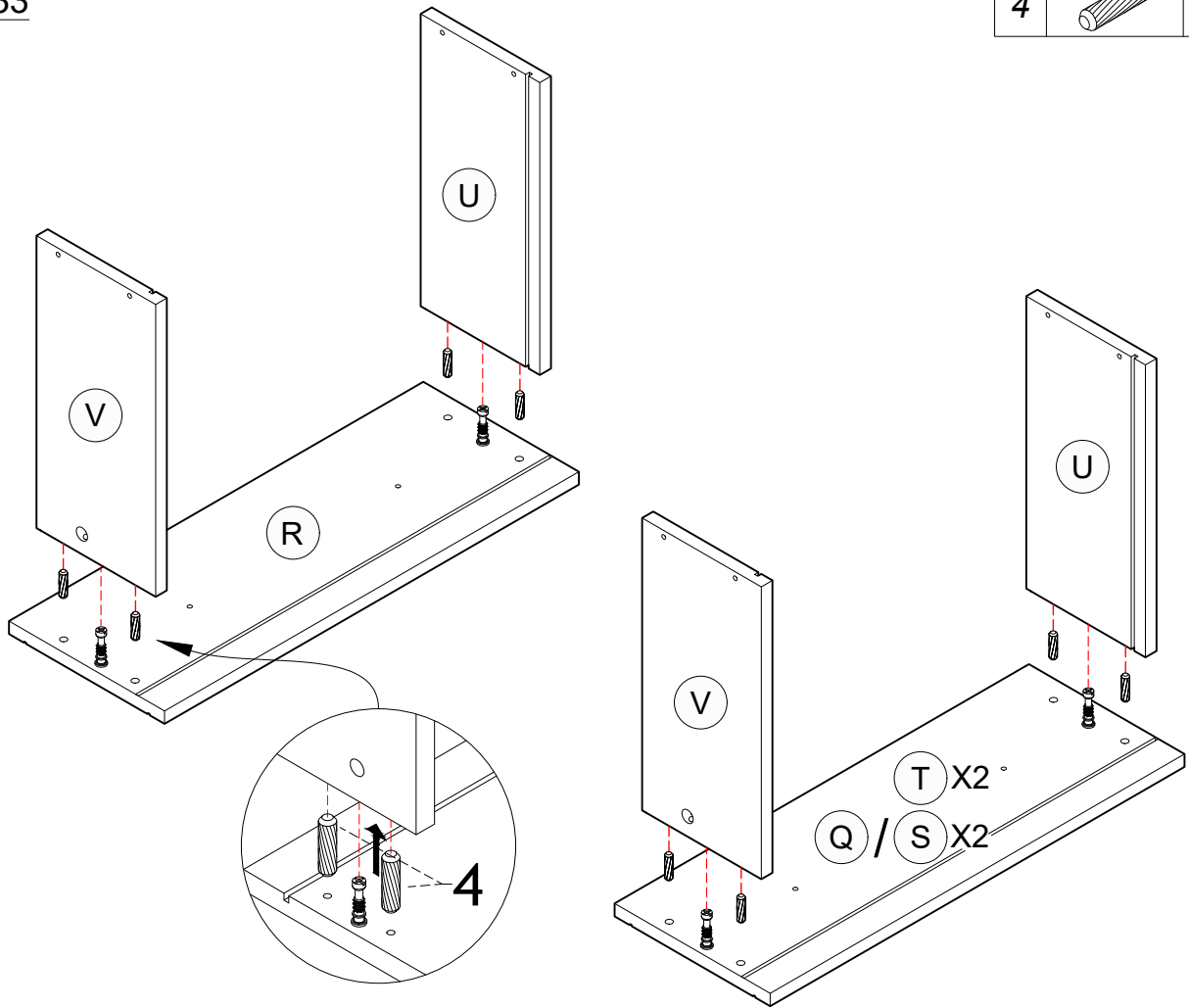
STEP 32

| | | |
|---|---|--------|
| 1 |  | 12 pcs |
|---|---|--------|





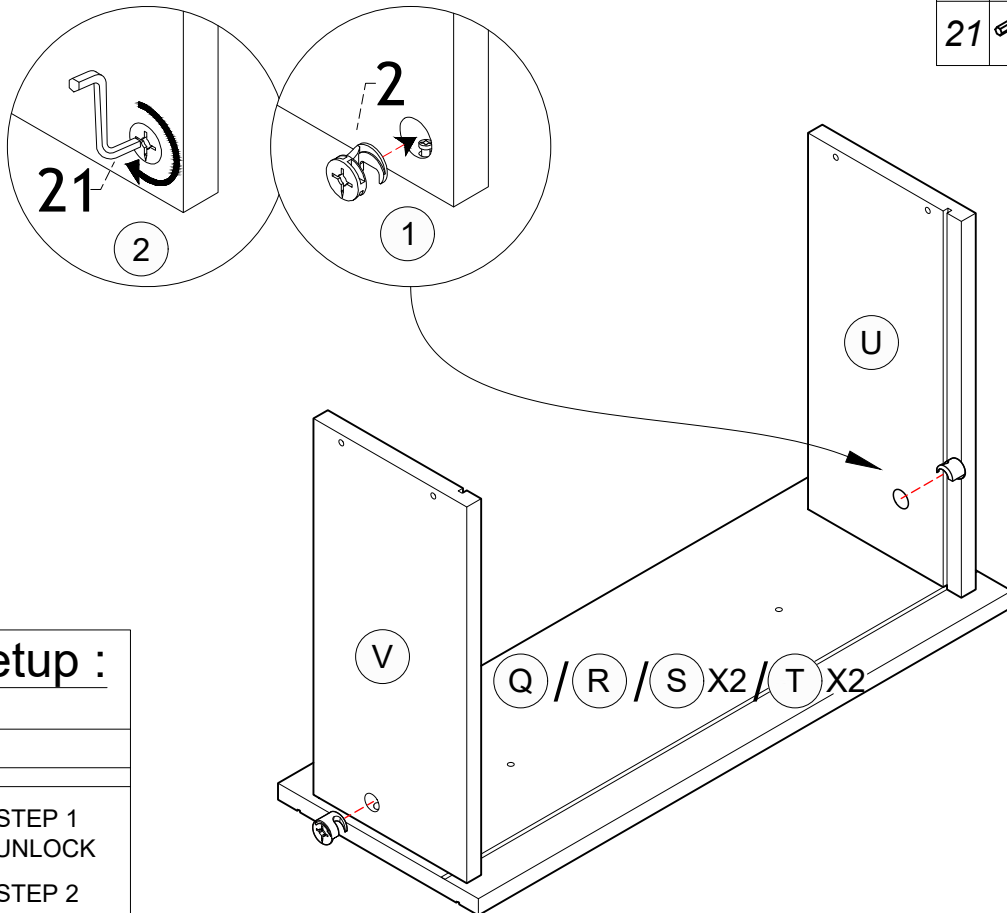
STEP 33

| | | |
|---|--|--------|
| 4 |  | 24 pcs |
|---|--|--------|







STEP 34

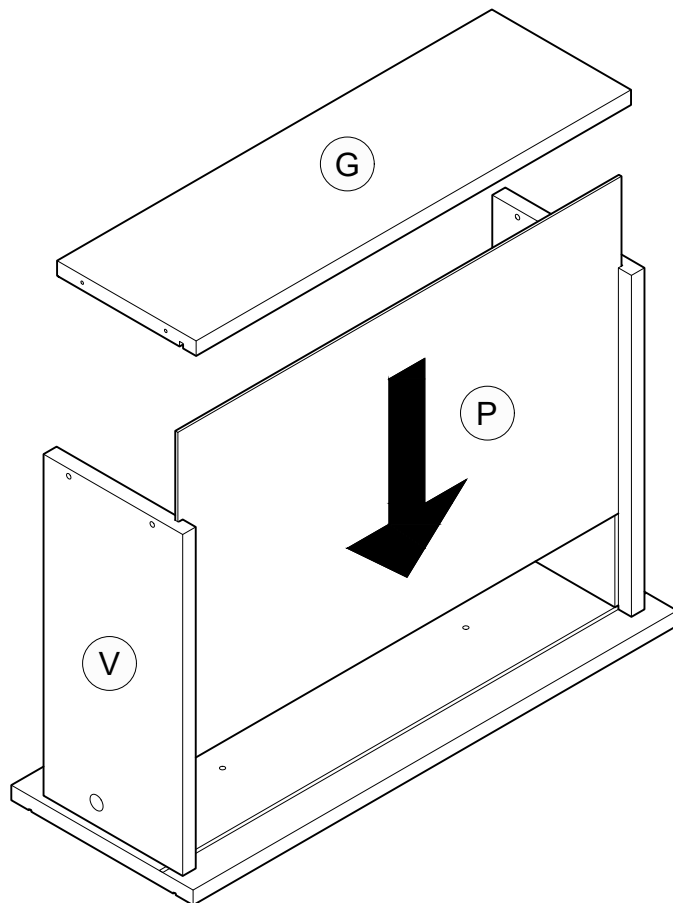
| | | |
|----|---|--------|
| 2 |  | 12 pcs |
| 21 |  | 1 pc |



Minifix Setup :

- 
-  STEP 1
UNLOCK
-  STEP 2
-  STEP 3
LOCK

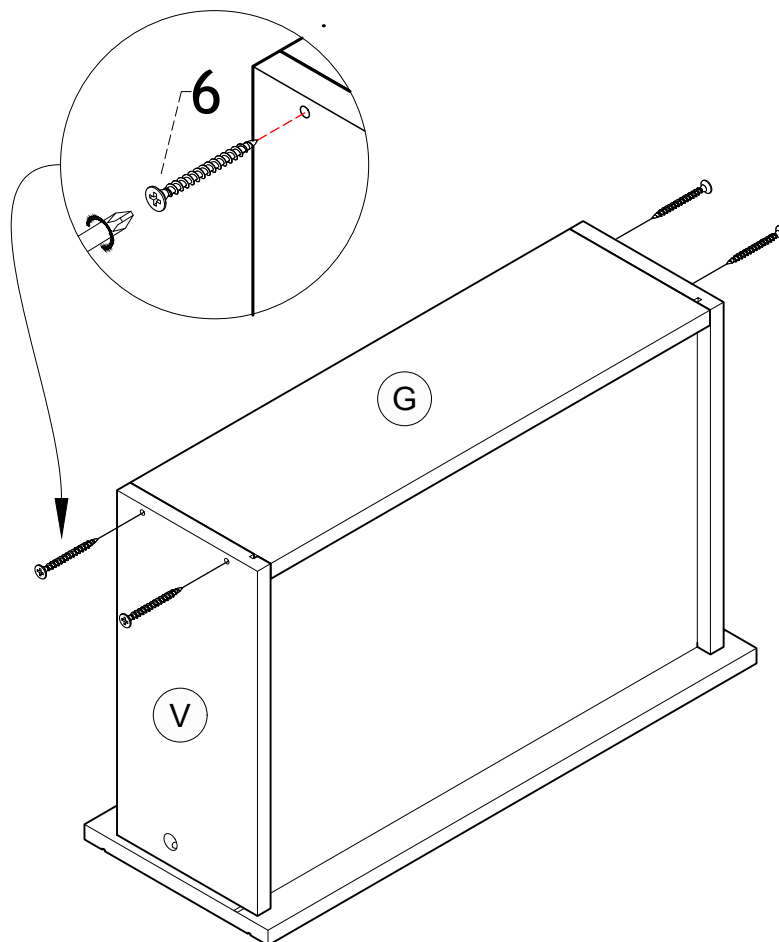
STEP 35



(X6)



STEP 36

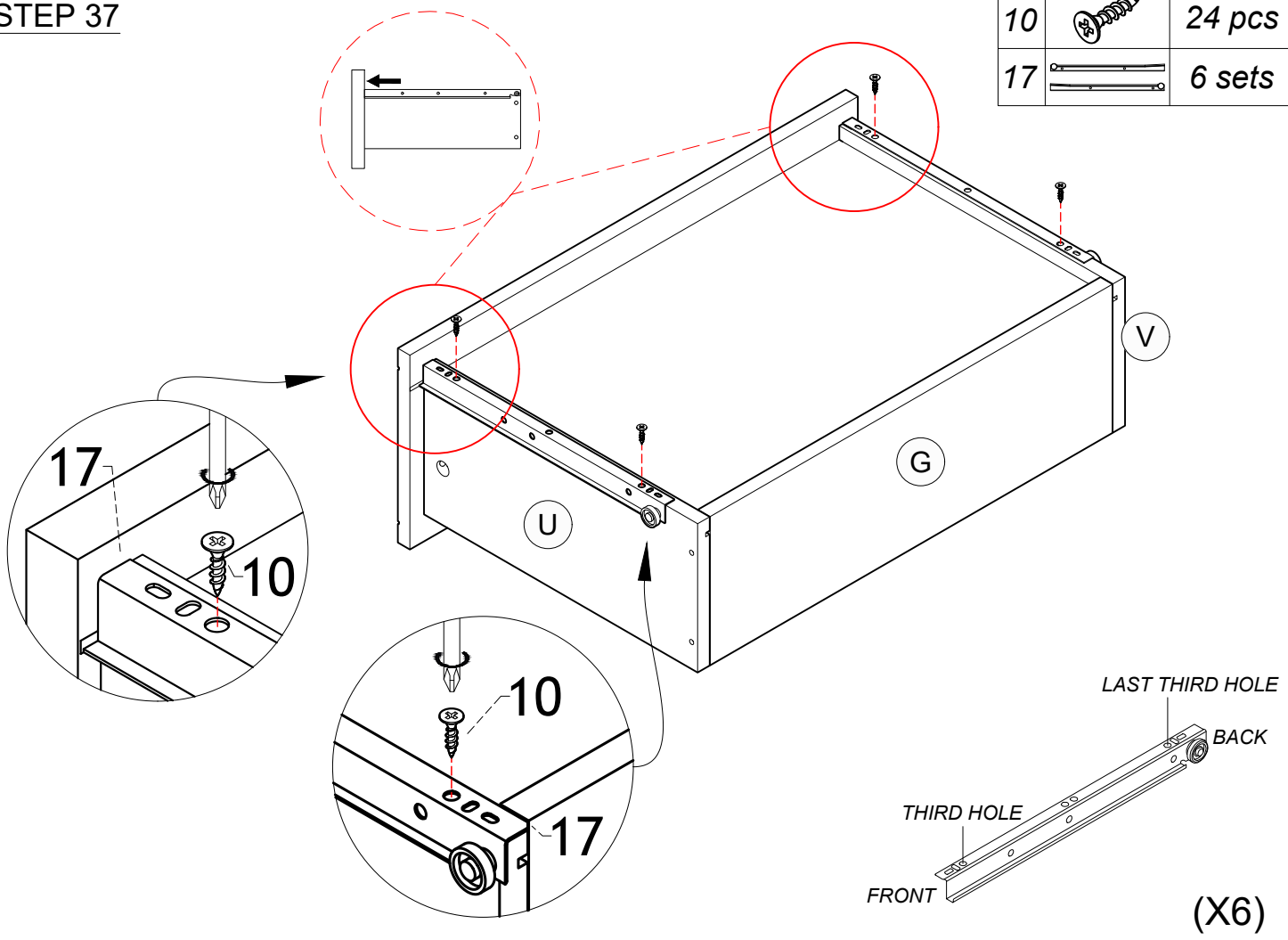
| | | |
|---|---|--------|
| 6 |  | 24 pcs |
|---|---|--------|



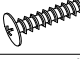

(X6)

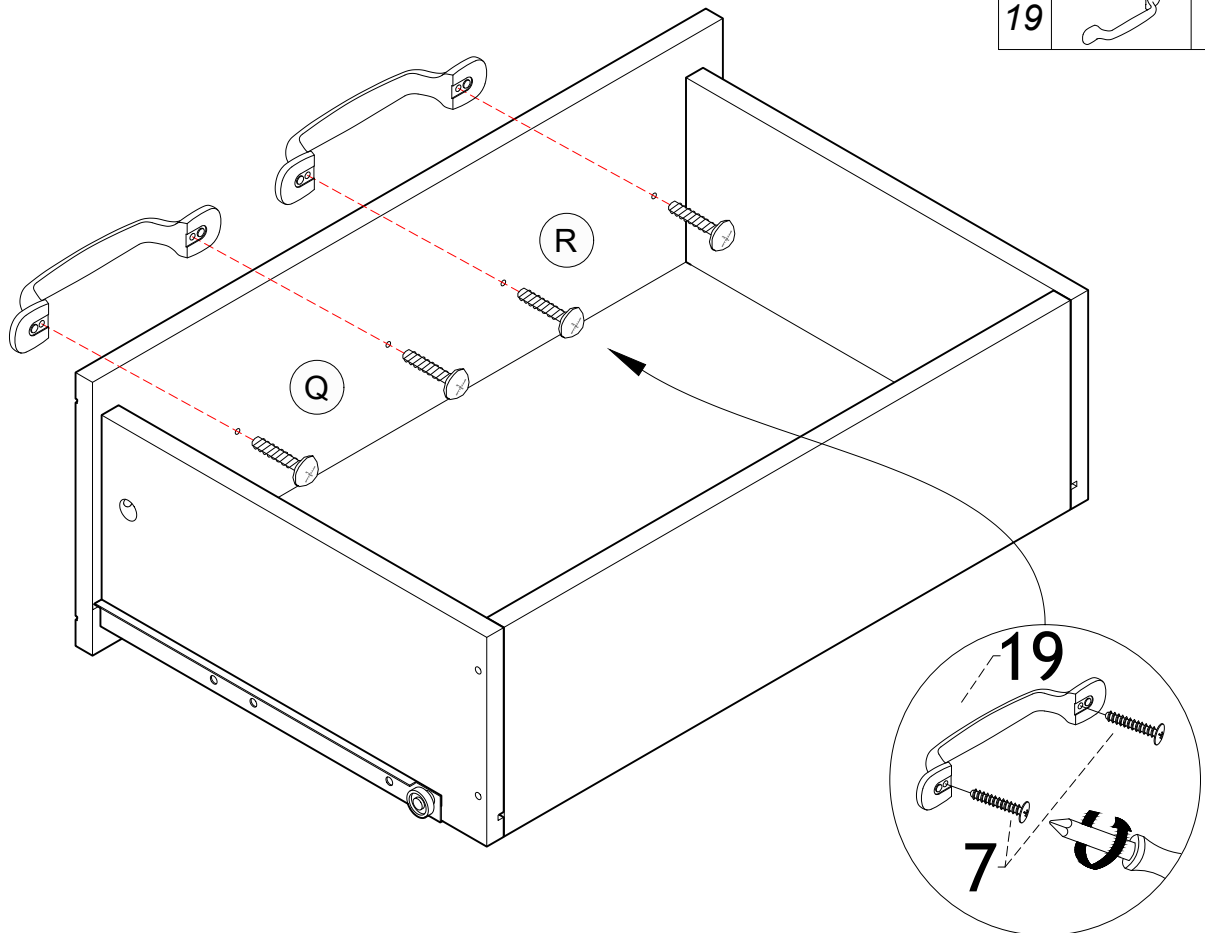
STEP 37

| | | |
|----|---|--------|
| 10 |  | 24 pcs |
| 17 |  | 6 sets |





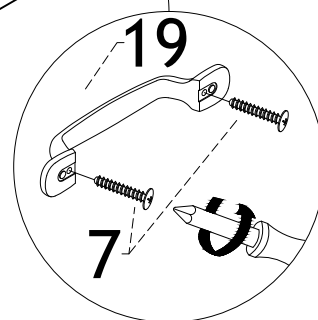
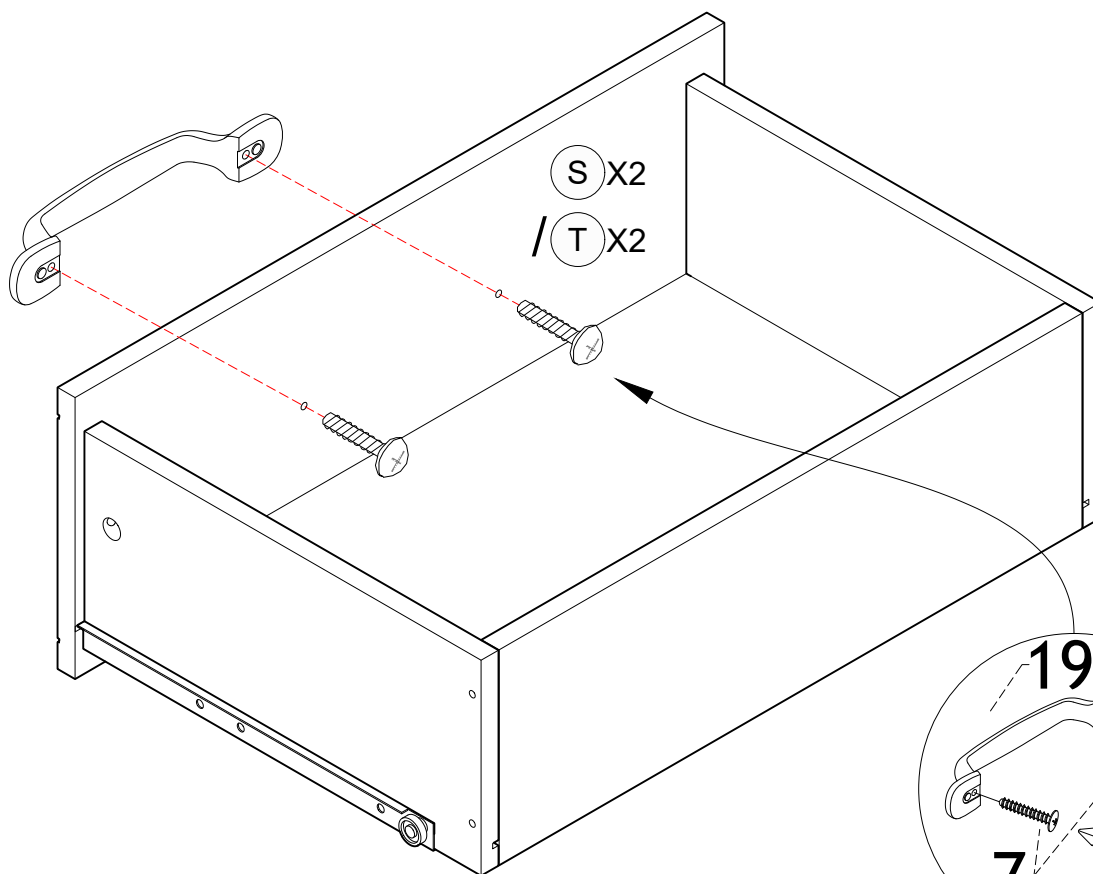
STEP 38

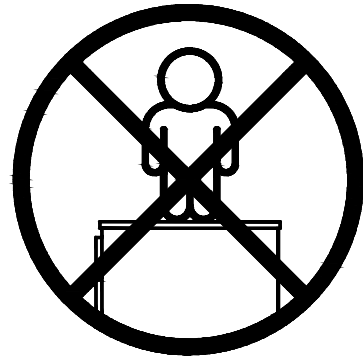
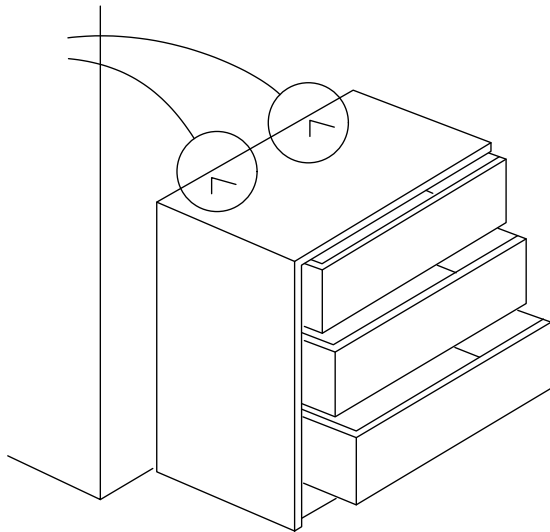
| | | |
|----|---|-------|
| 7 |  | 8 pcs |
| 19 |  | 4 pcs |



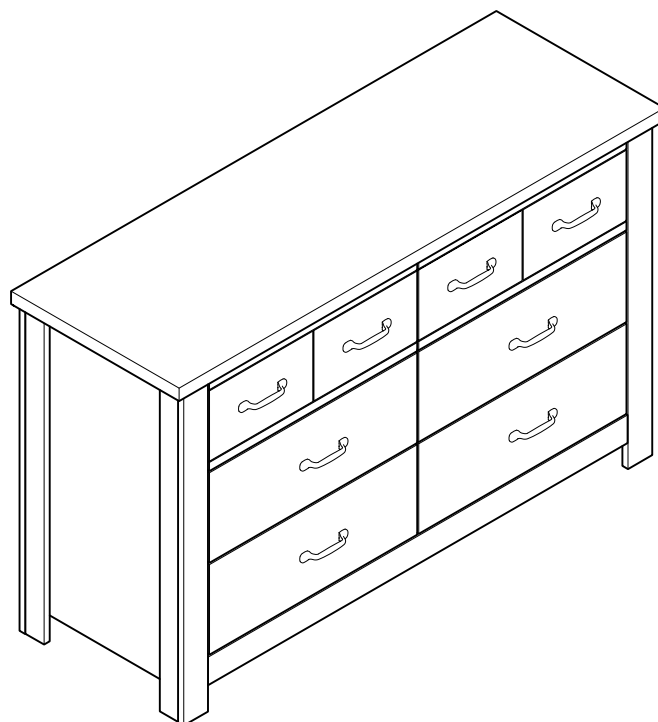
STEP 39

| | | |
|----|---|-------|
| 7 |  | 8 pcs |
| 19 |  | 4 pcs |





IMPORTANT: THIS UNIT MUST BE SECURE TO THE WALL TO HELP PREVENT TIPOVER. FOLLOW THESE INSTRUCTIONS TO INSTALL THE ANTI-TIPPING SAFETY BRACKET PROVIDED WITH THIS PRODUCT.

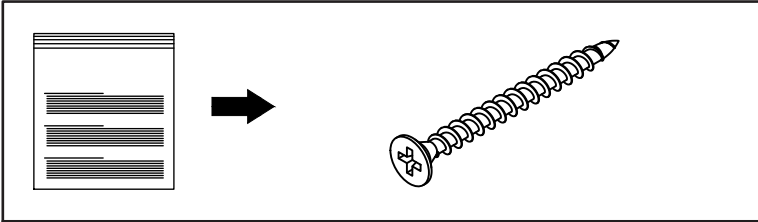


STEP 40

25

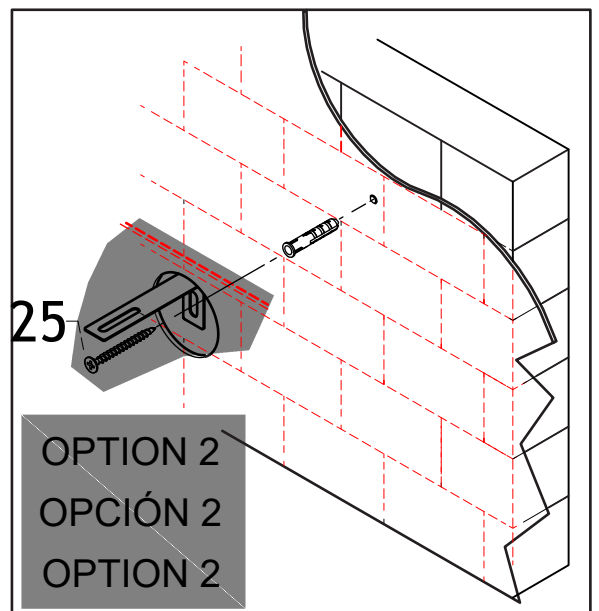
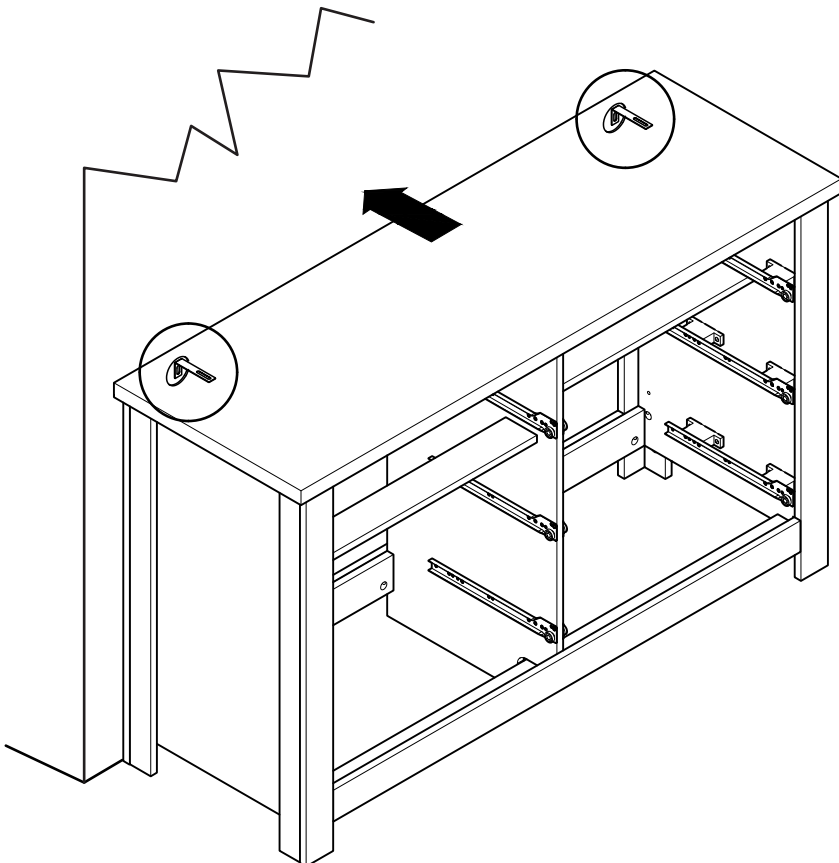
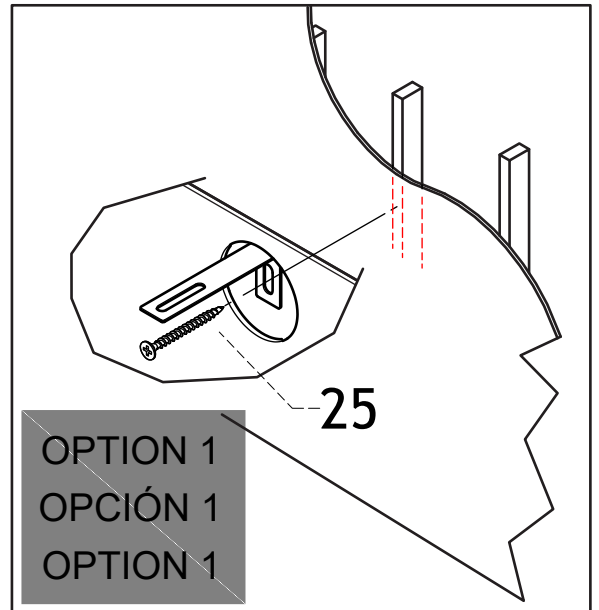
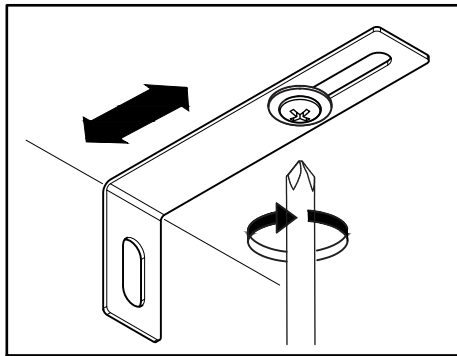


2 pcs



Drywall anchor that supplied with this product is general purpose wall plug only.

Consult your local hardware store for appropriate anchors for the type of wall you intend to securely attach the safety bracket.



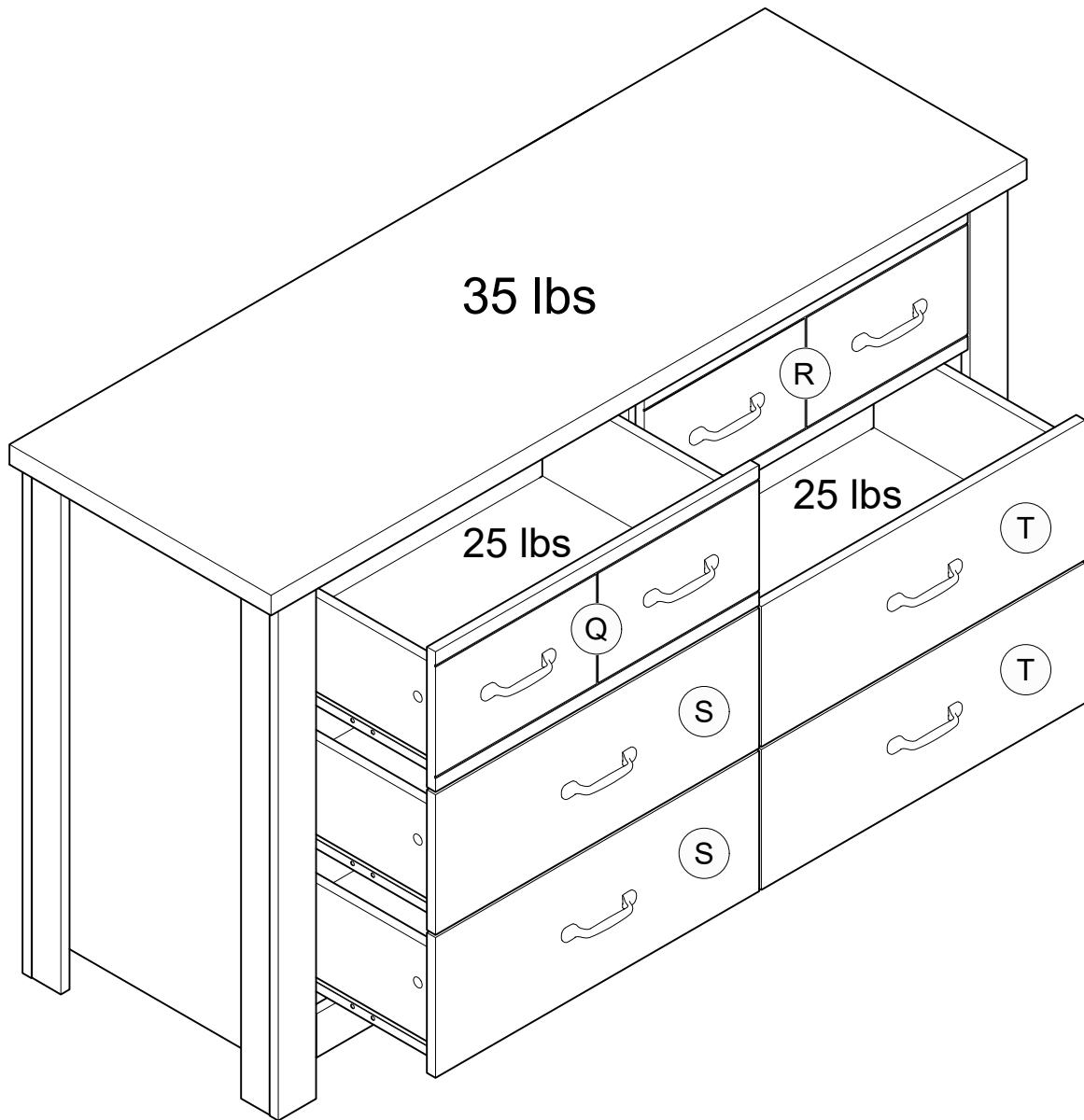
OPTION 1: Attachment into a wall stud (preferred method)

Using a stud finder, locate a stud in the wall. Place your unit against the wall, with the safety bracket aligned in this location. To make driving the screw easier, you can drill a 3mm diameter pilot hole through the safety bracket into the stud. Drive the screw through the safety bracket into the wall stud. Tighten the screw that was not fully tightened in step 9.

OPTION 2: Attachment into masonry

Locate your unit where desired against a wall and mark the wall through the safety bracket, then move your unit aside. Drill a 6mm diameter hole into the wall. Tap the wall anchor into the hole until it is flush. Move your unit into location and fasten the wall bracket to the wall anchor with the screw. Tighten the screw that was not fully tightened in step 9.

STEP 41



This product is designed to withstand the weight vindicated on the plan. We are not responsible for the breakage of parts or any injury caused by failure to comply with this recommendation.

