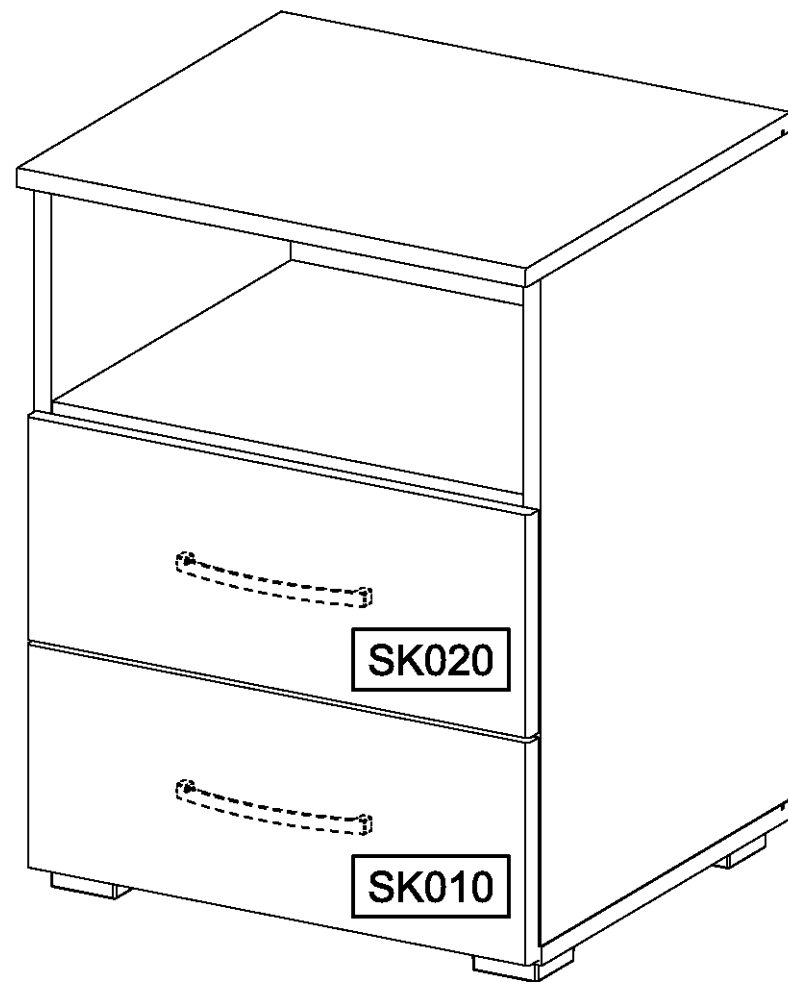
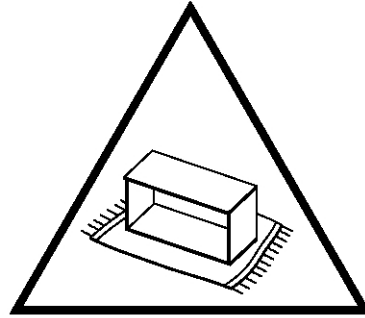
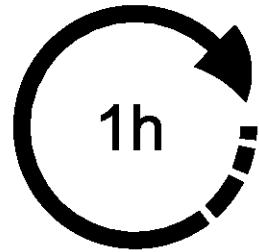
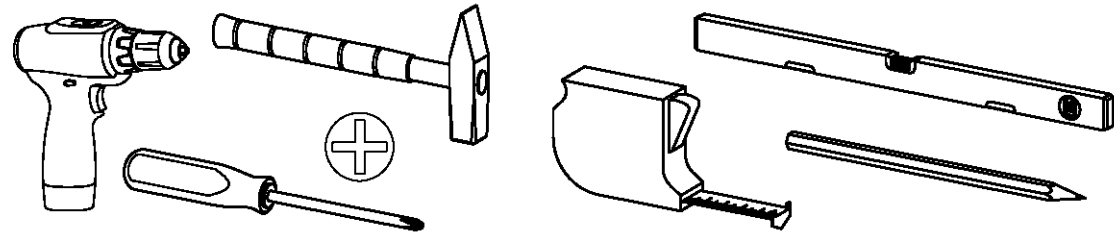


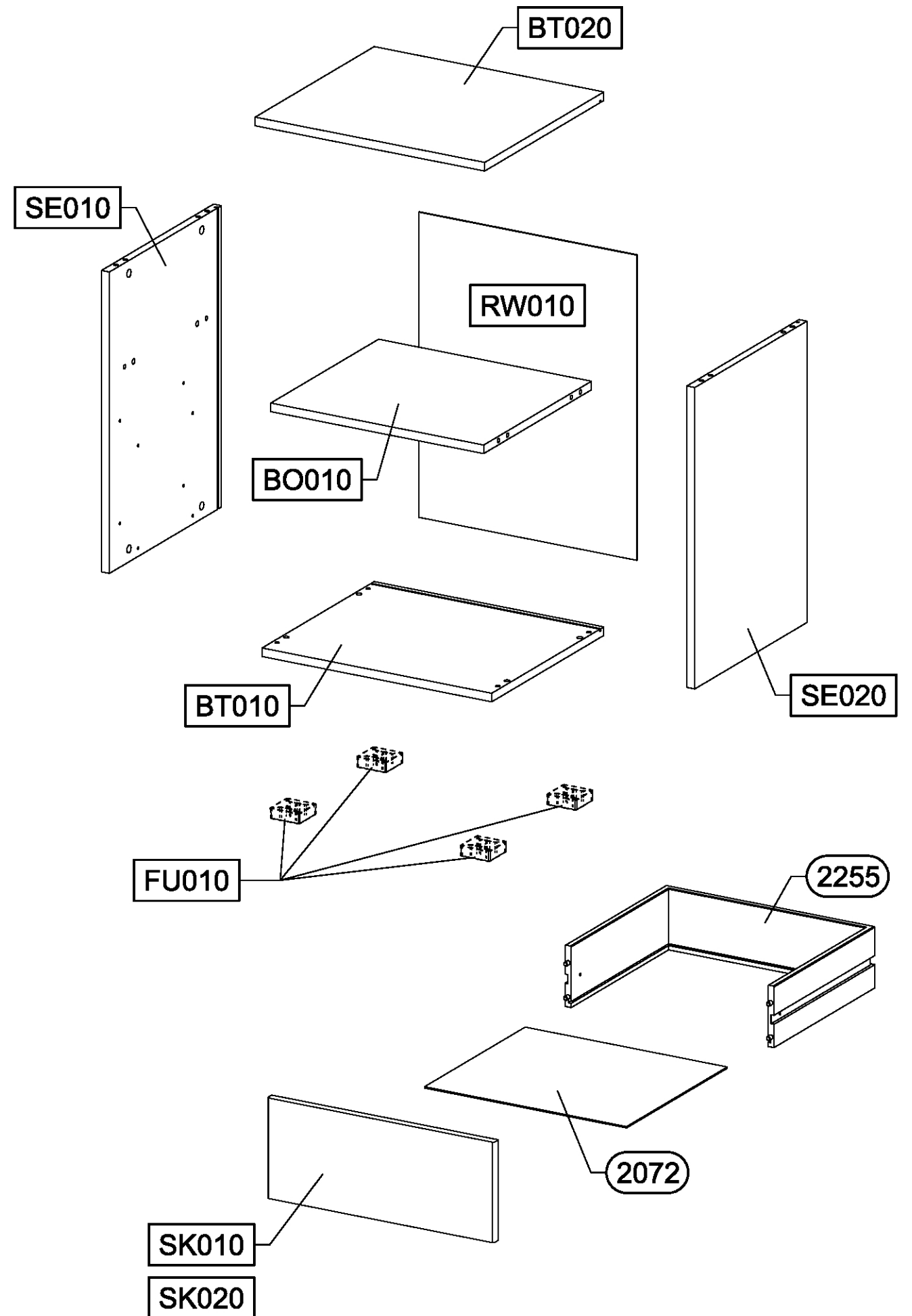
M2604_01

rauch



SK020

SK010



BT020

SE010

RW010

BO010

BT010

SE020

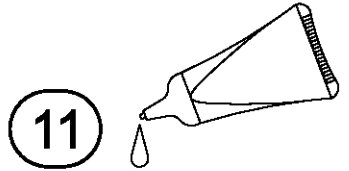

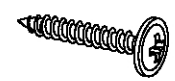

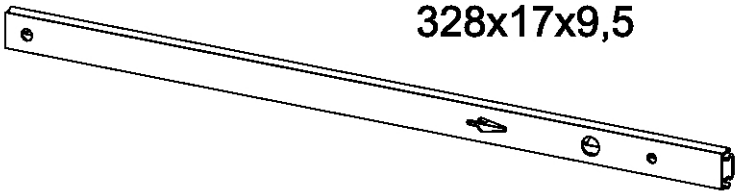

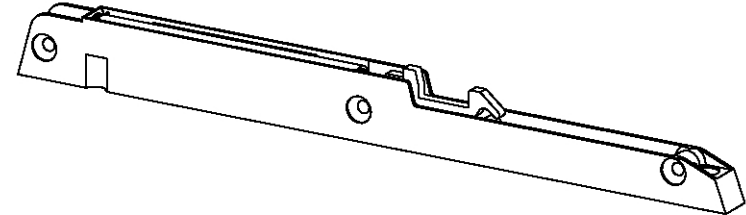
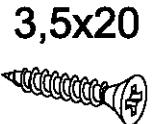

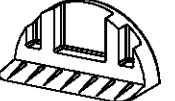
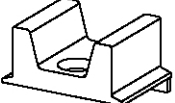

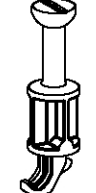
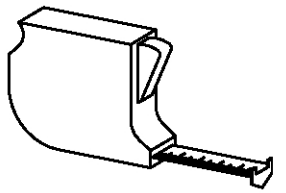
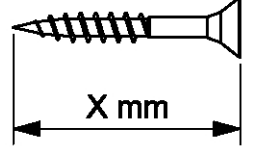
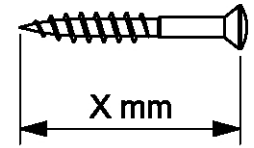
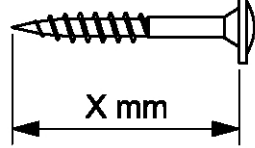
FU010

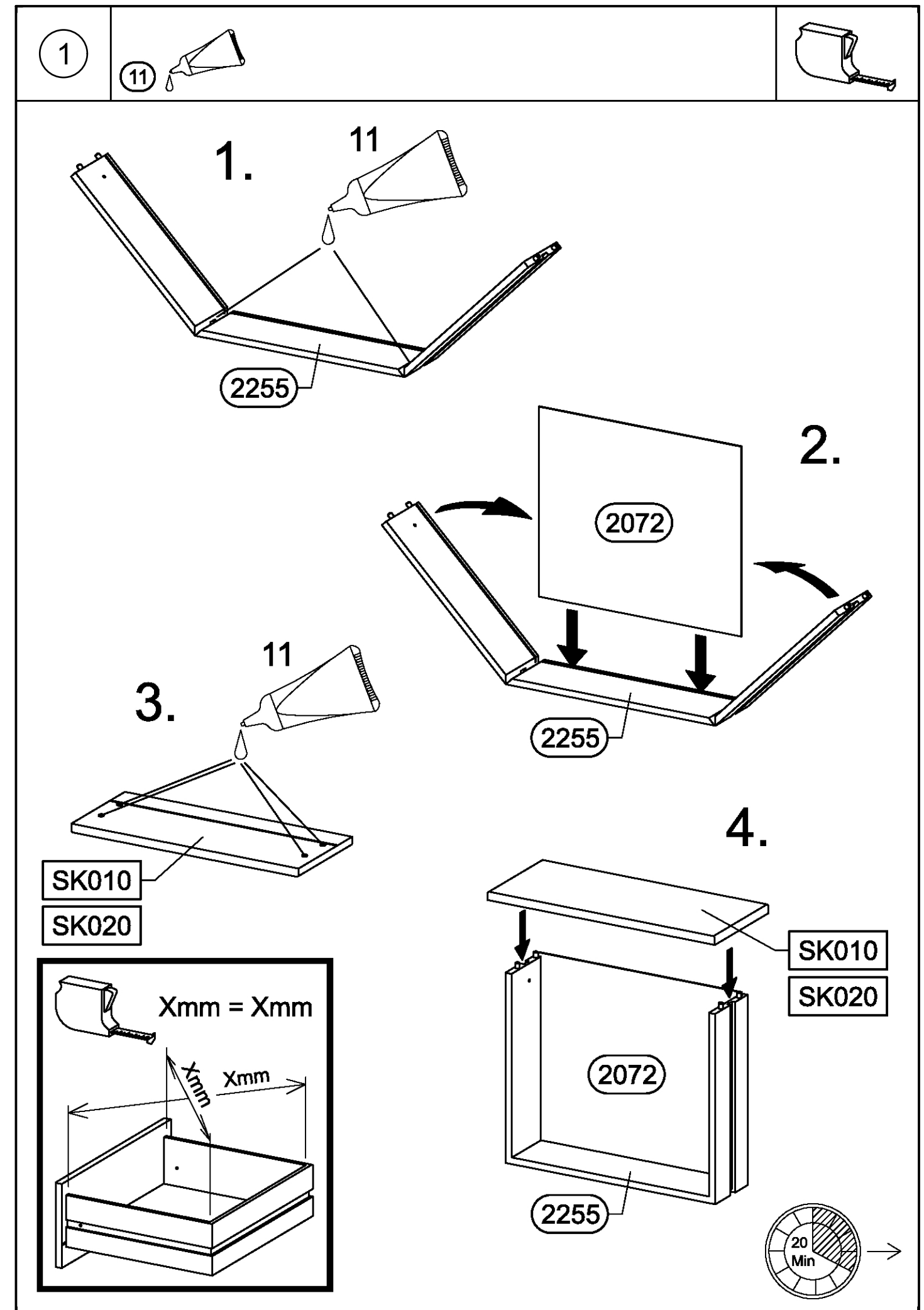
2255

2072

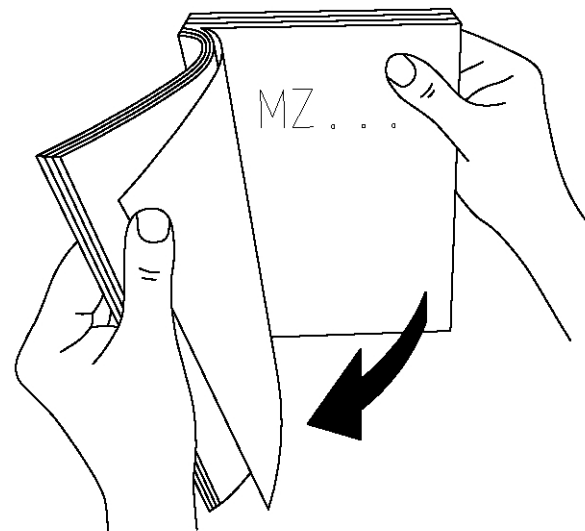
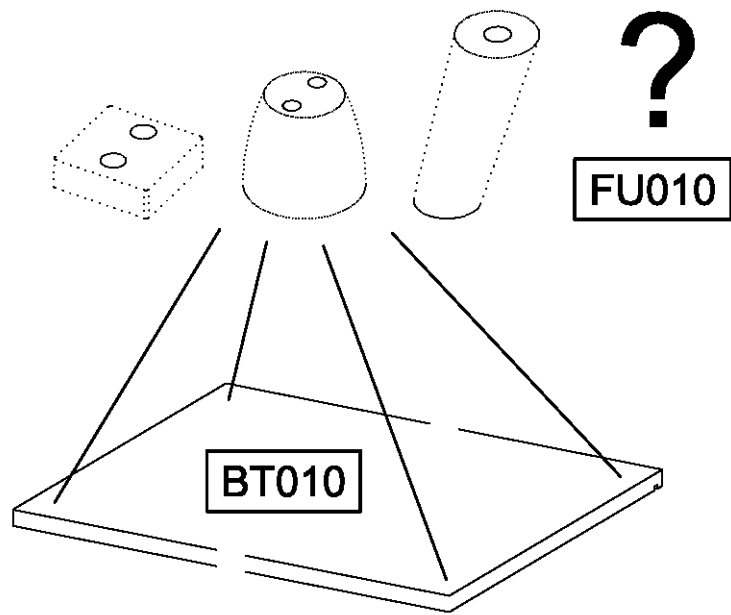
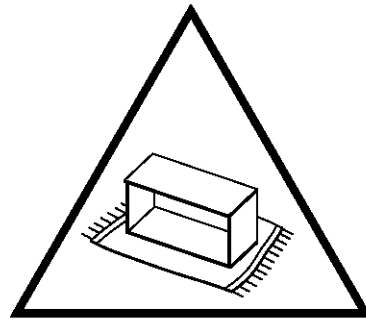
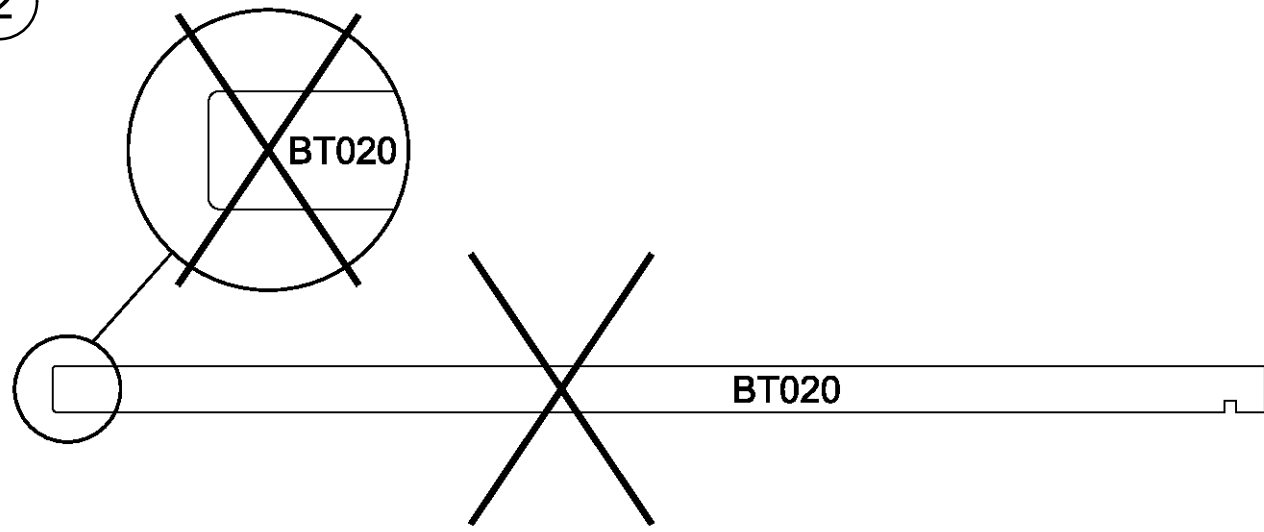
SK010

SK020

 11	12x  18 8x30	3x  215 3x20
8x  227 6x10,5	4x  251 328x17x9,5	
4x  568 M4x9	4x  1000	
16x  1002 3,5x20	8x  1003 6x12	4x  1090
4x  1187	12x  1188	12x  1189
  X mm  X mm  X mm		

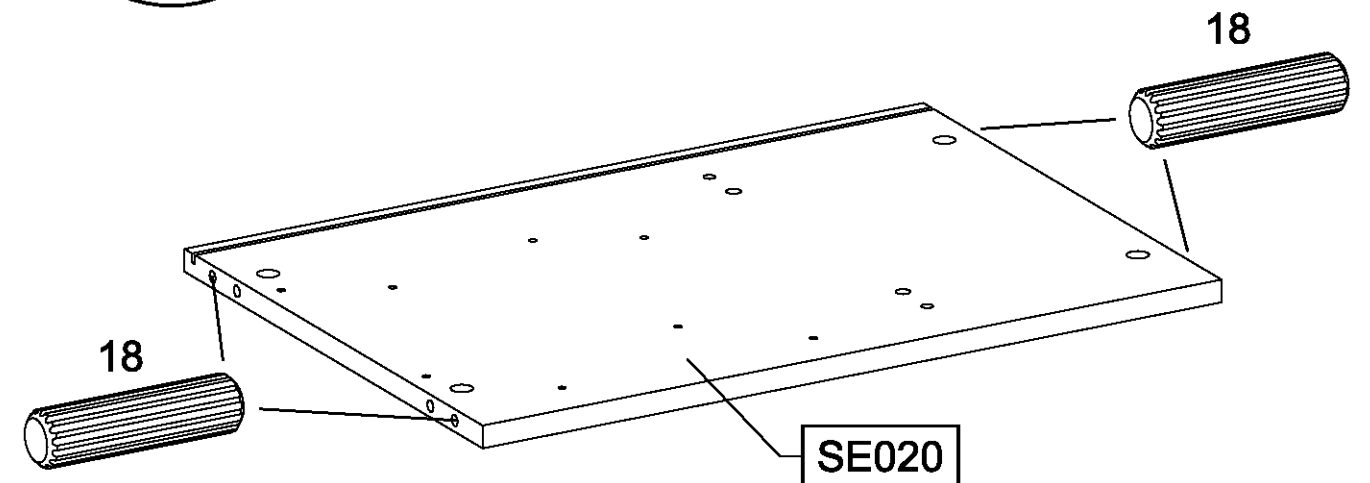
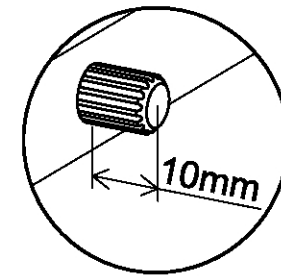
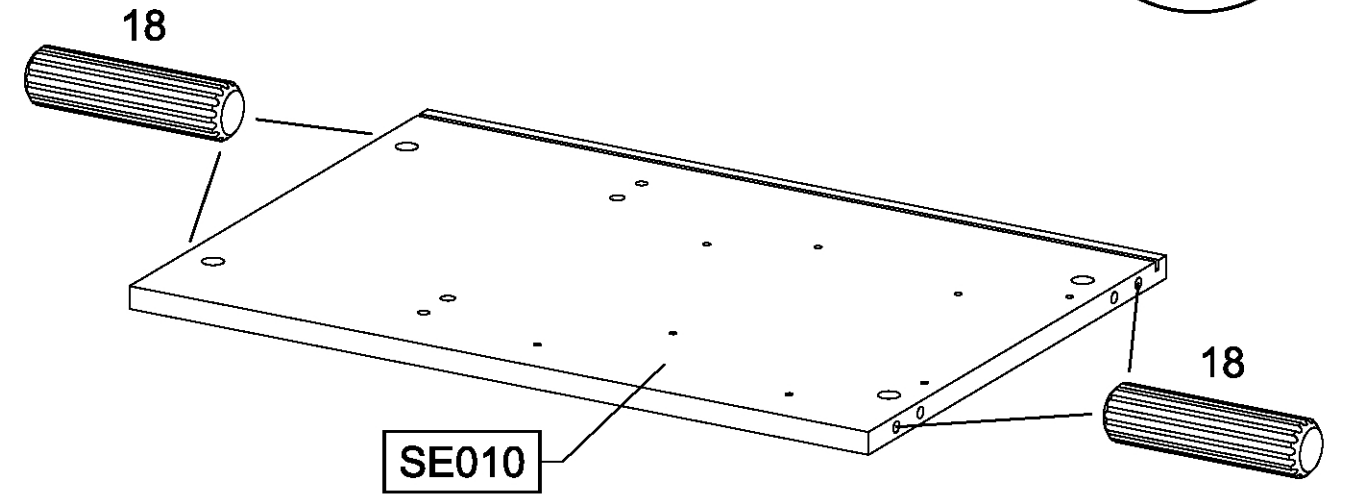
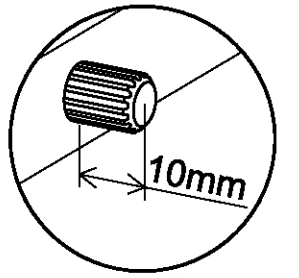
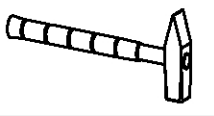


2



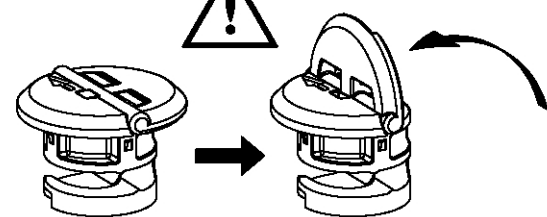
3

8x 18 8x30



4

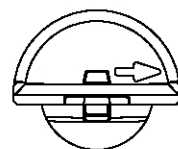
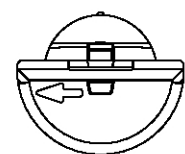
8x 1188



1188

1188

SE010



1188

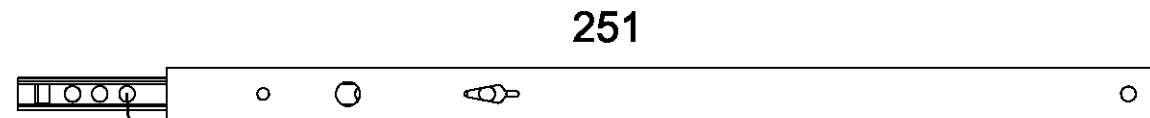
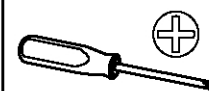
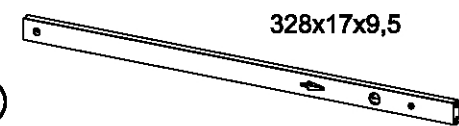
1188

SE020

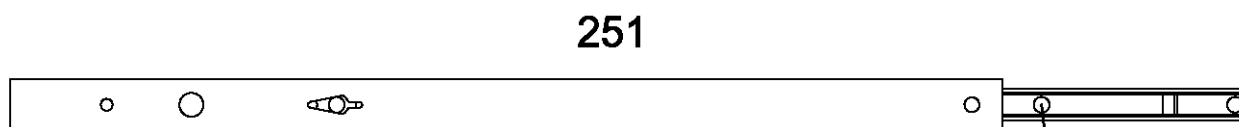
5

4x 227 6x10,5

2x 251



1. 227



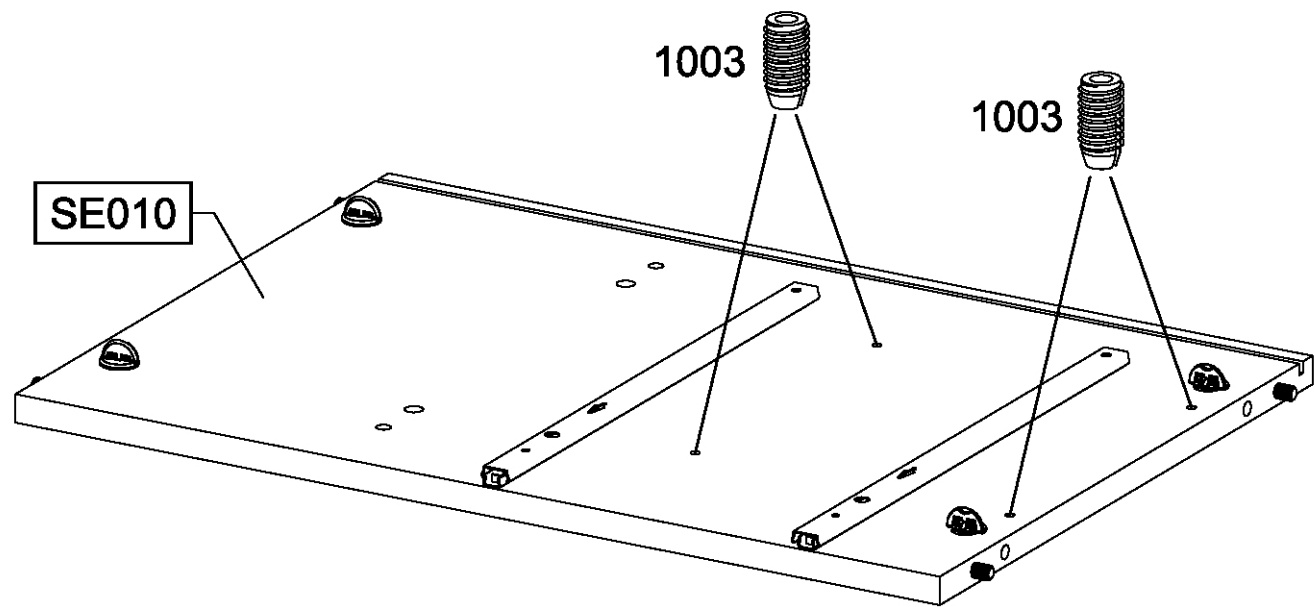
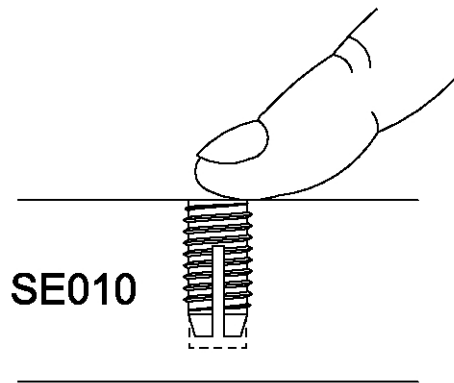
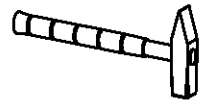
2. 227

251

SE010

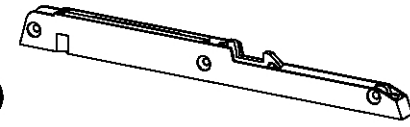
6

4x 1003 6x12

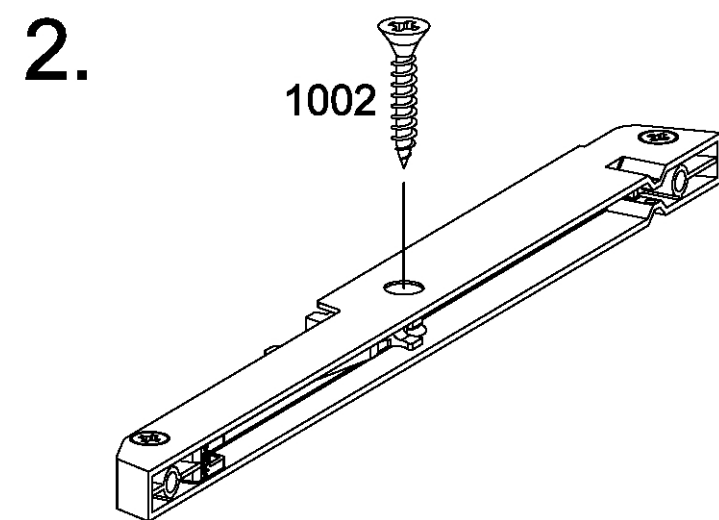
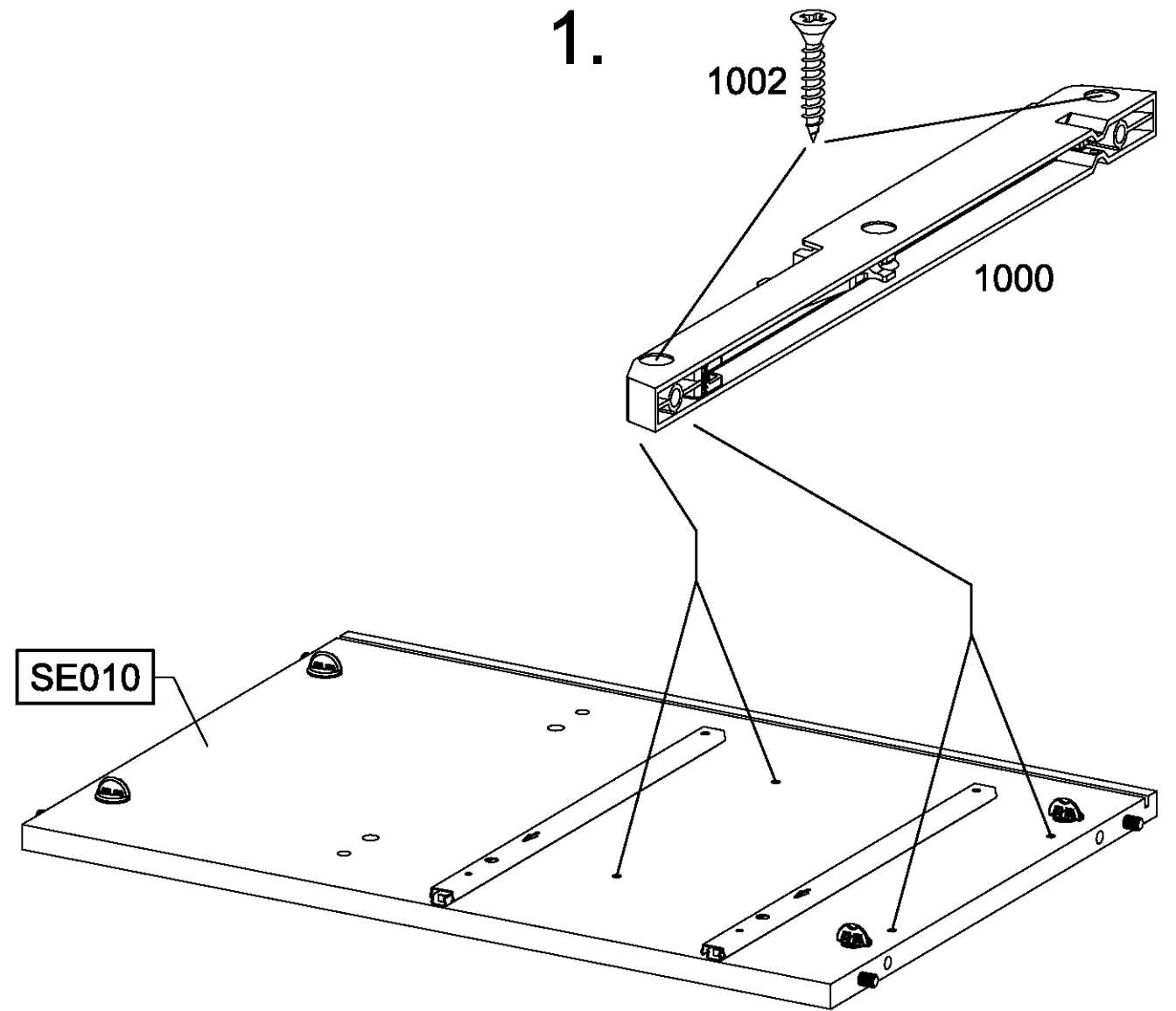
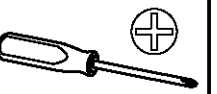


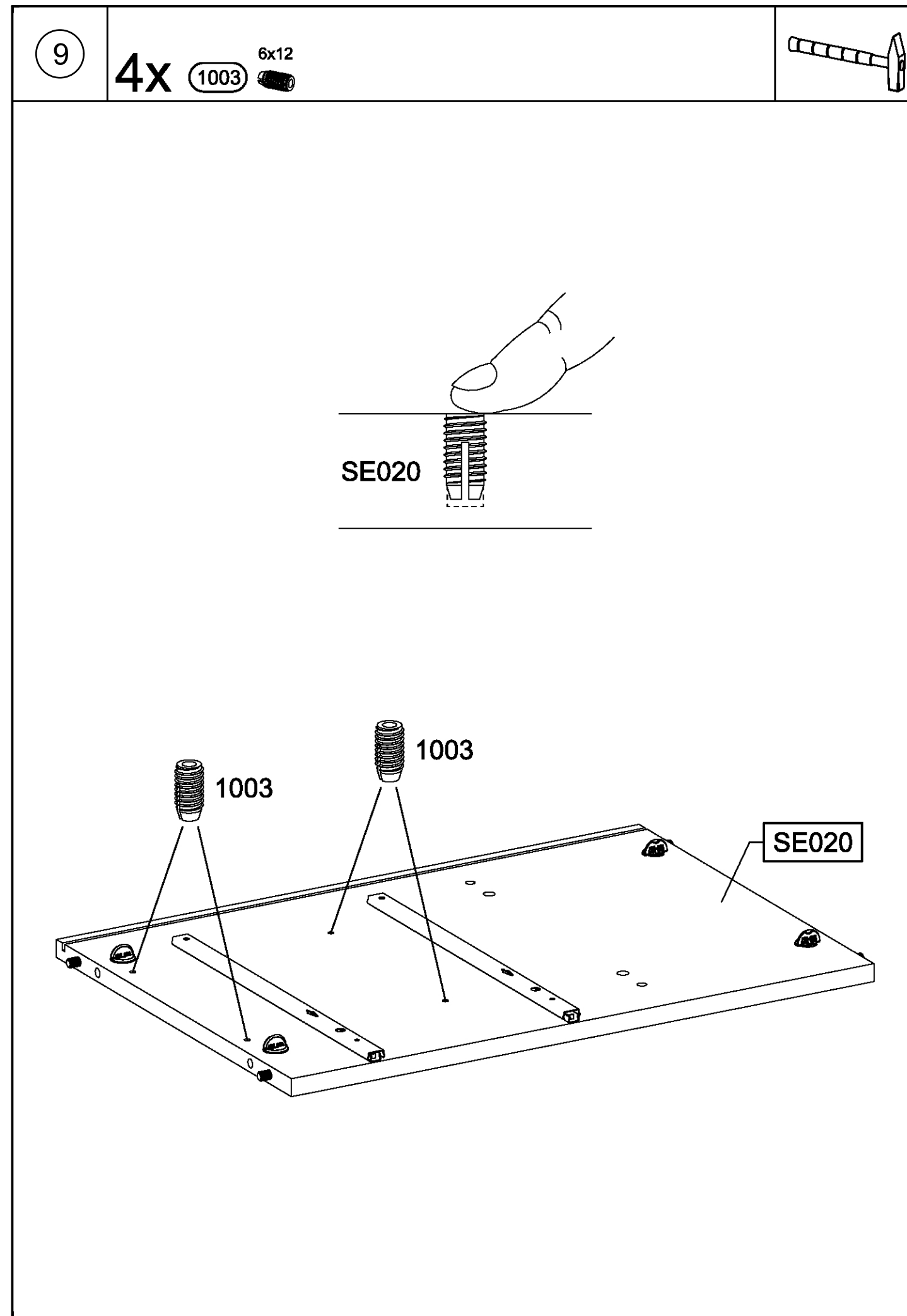
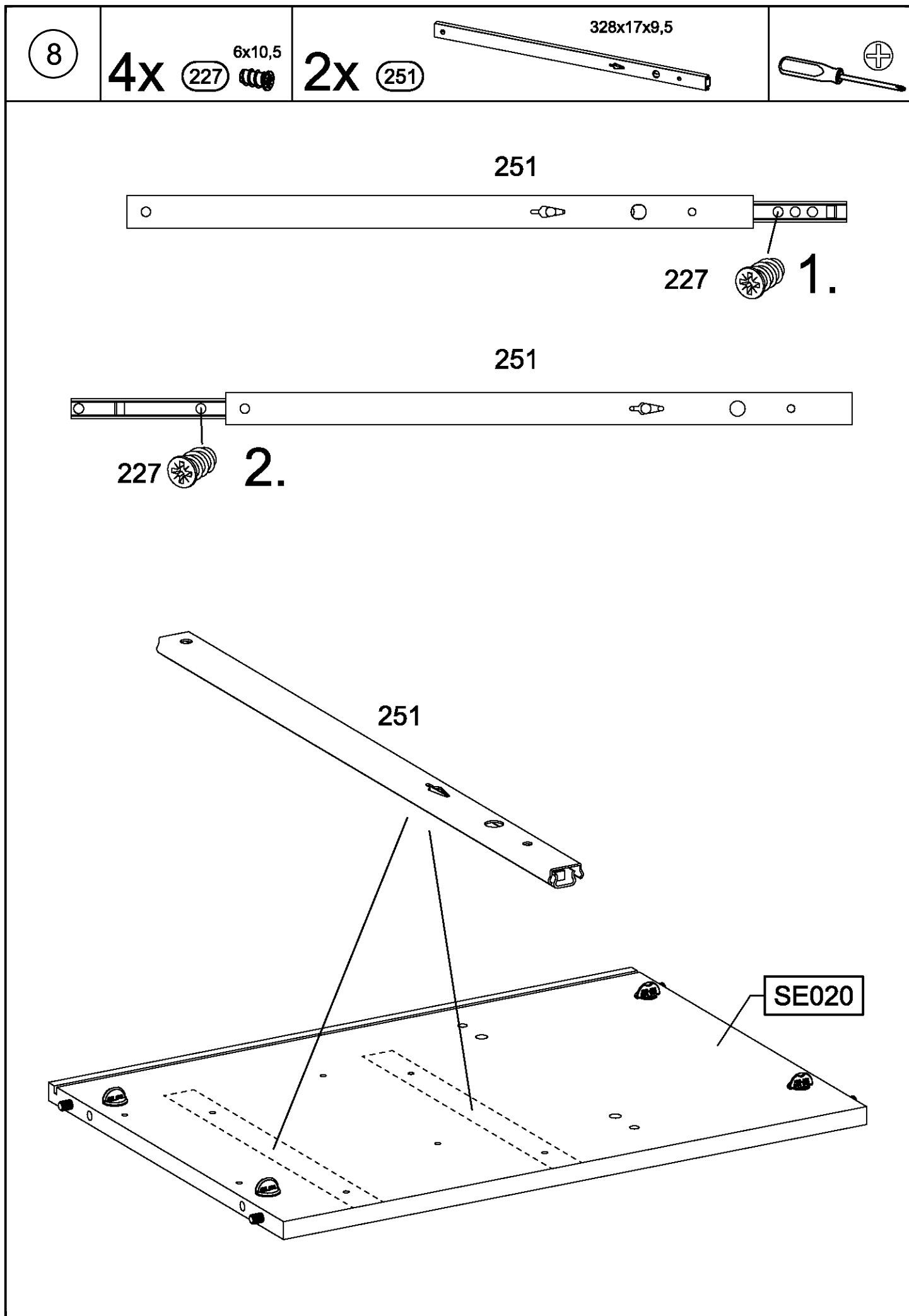
7

2x 1000



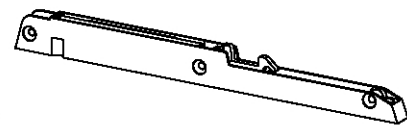
6x 1002 3,5x20





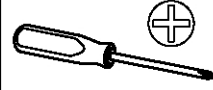
10

2x 1000

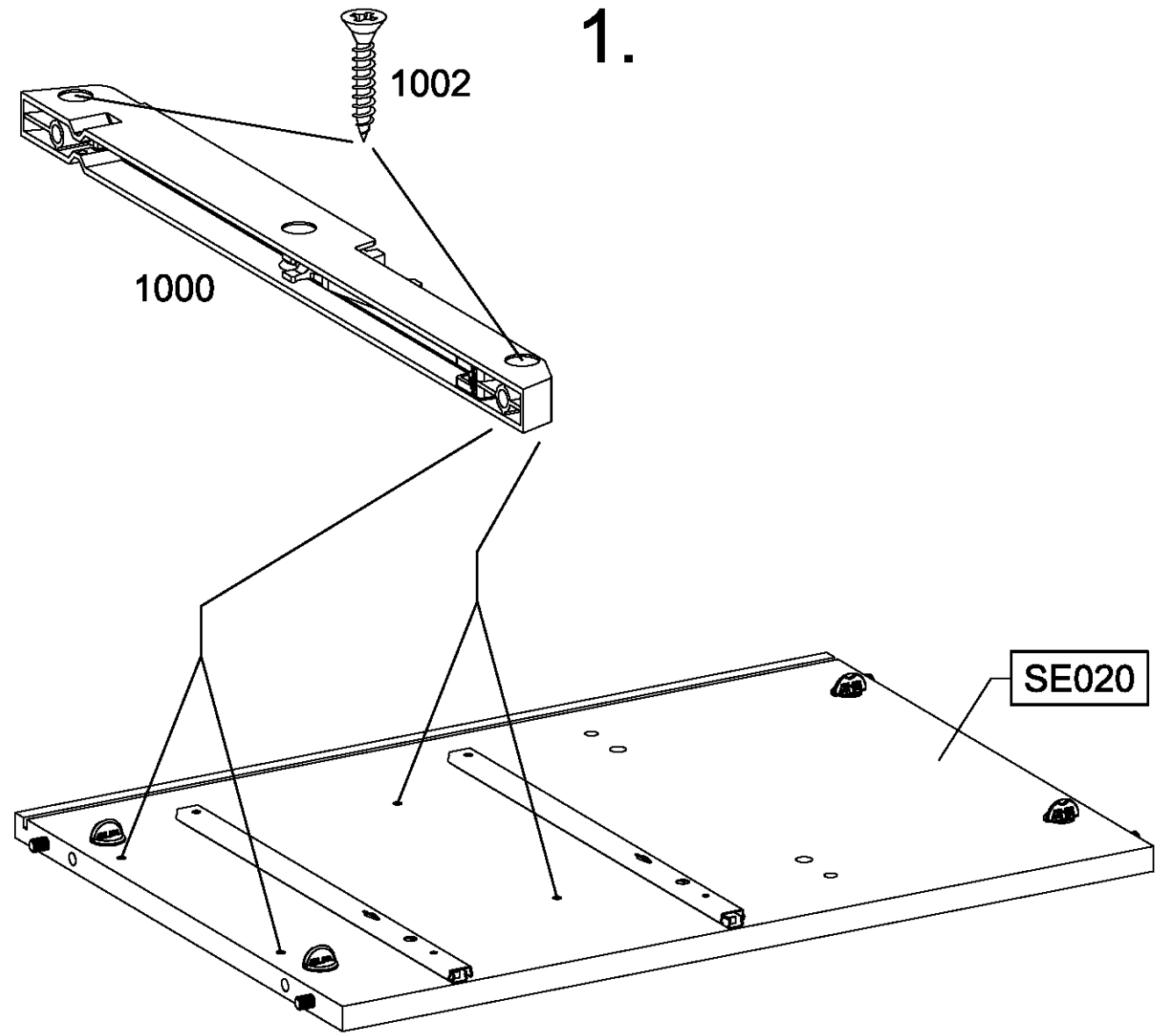


6x 1002

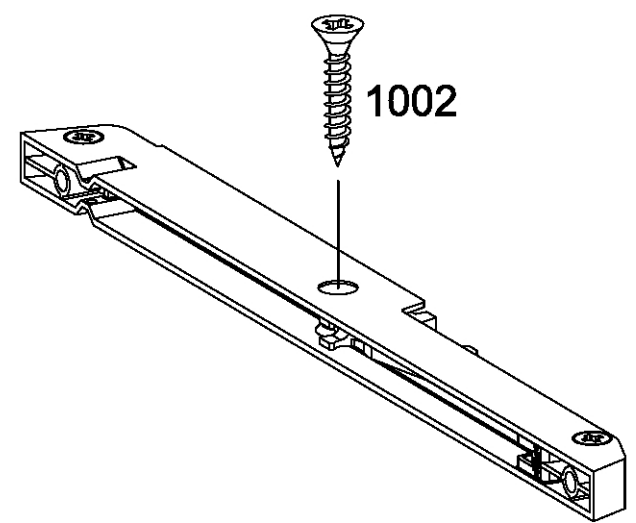
3,5x20



1.

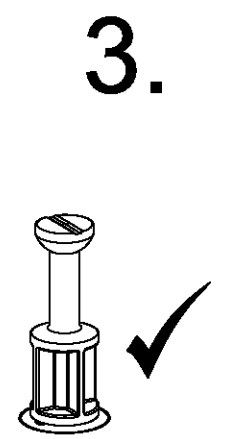
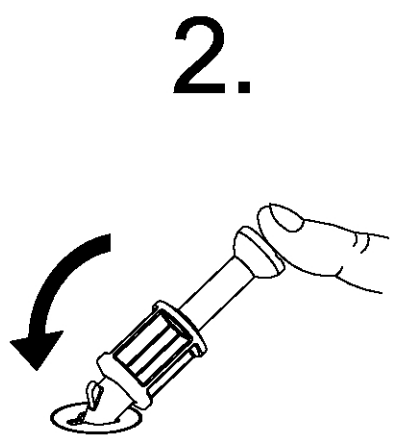
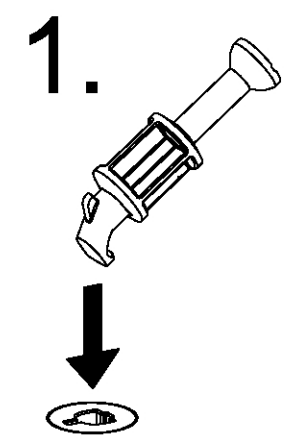
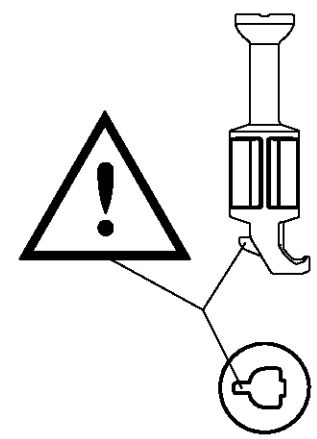
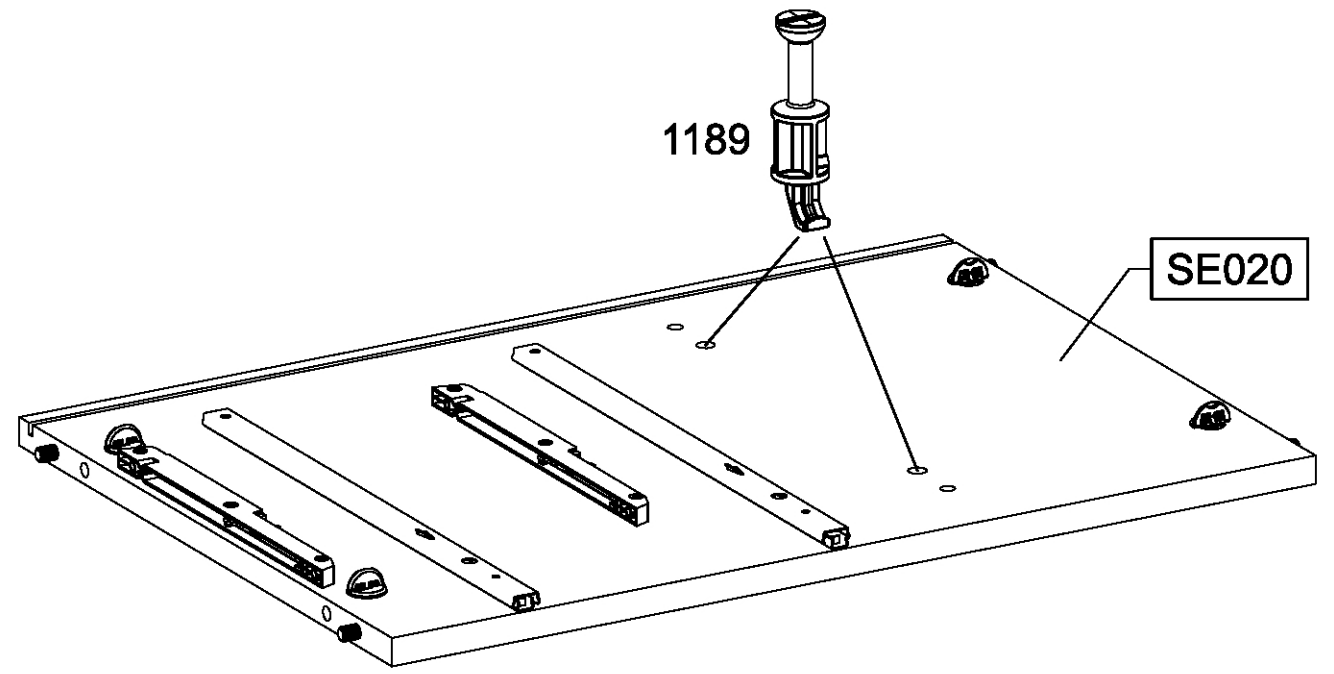
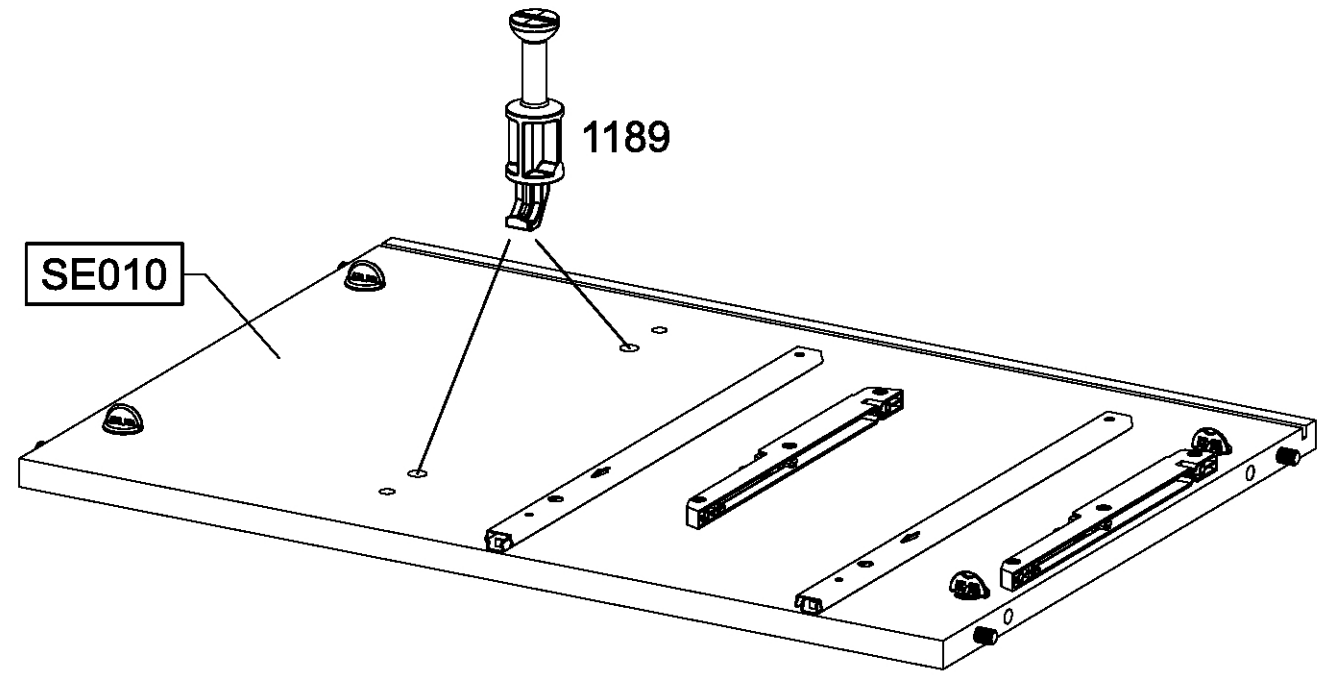


2.

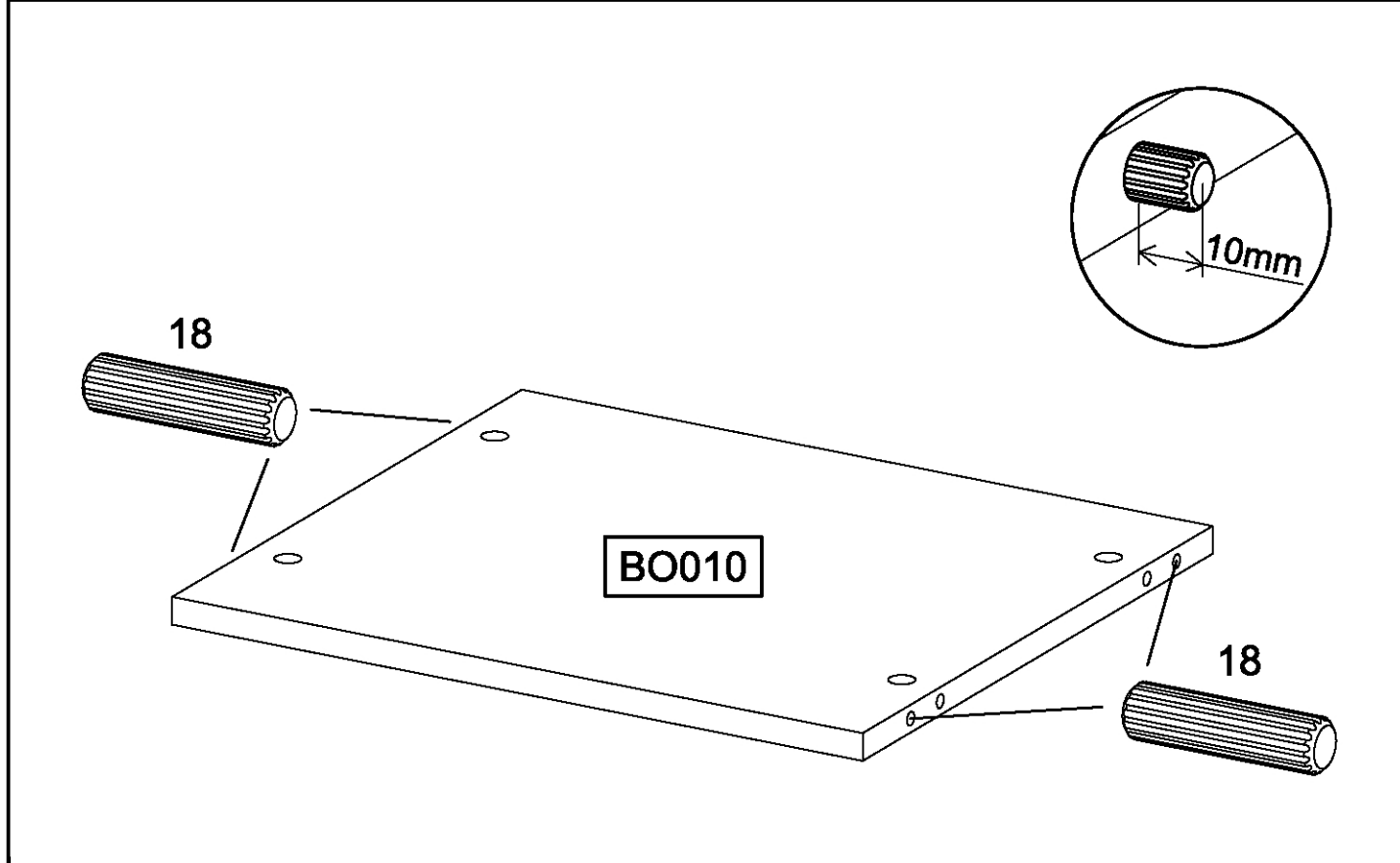



11

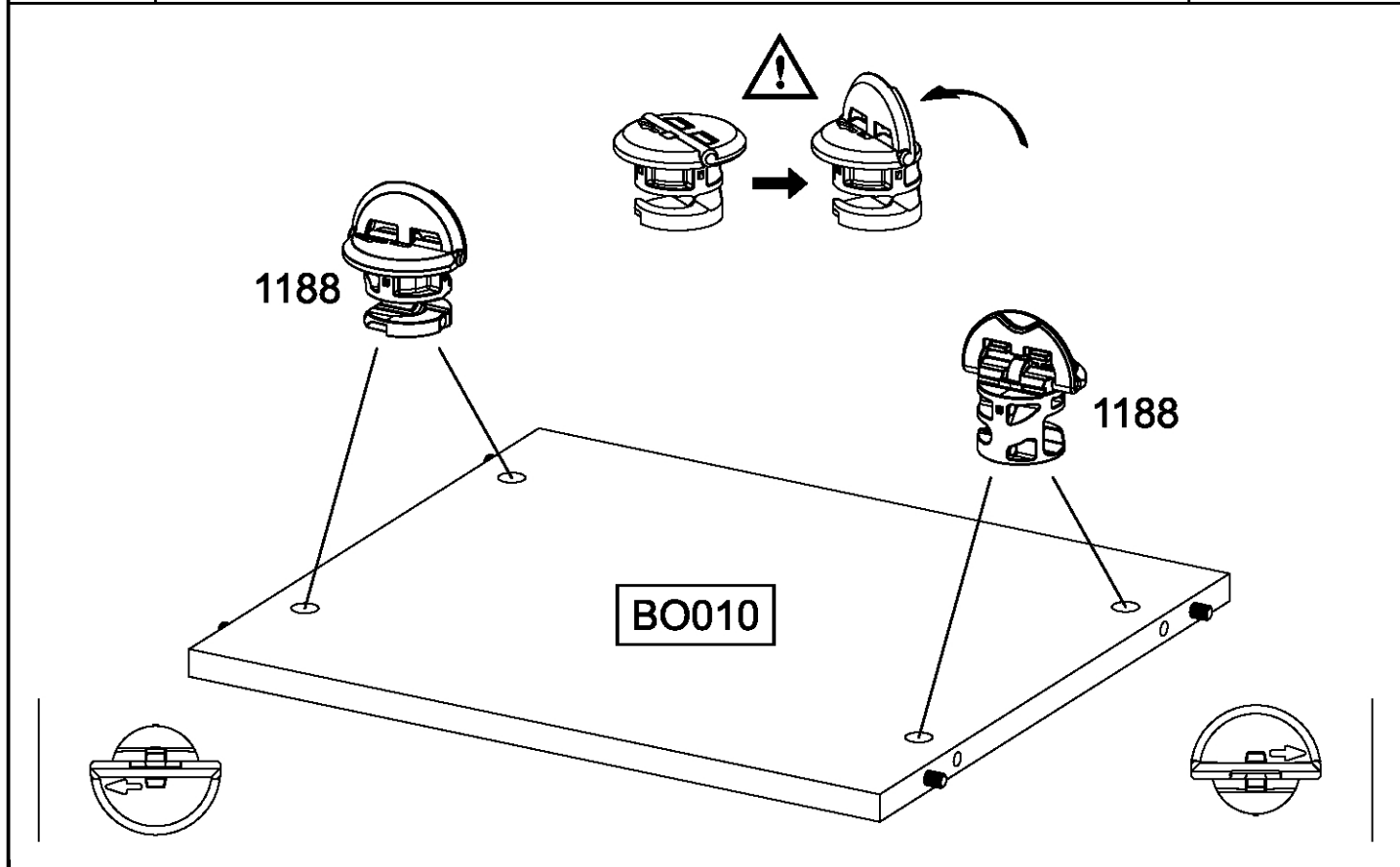
4x 1189



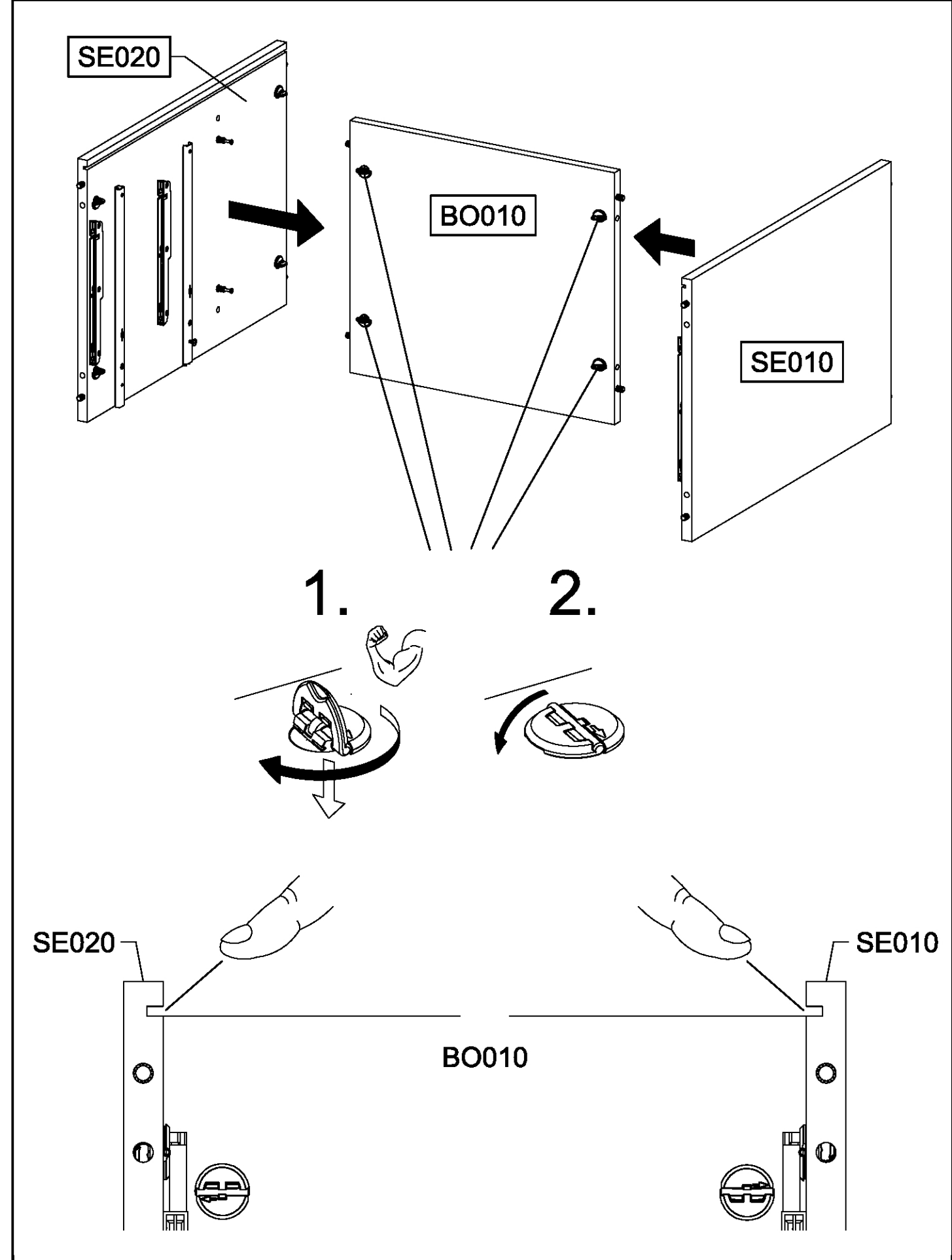
12 **4x** 18 8x30 



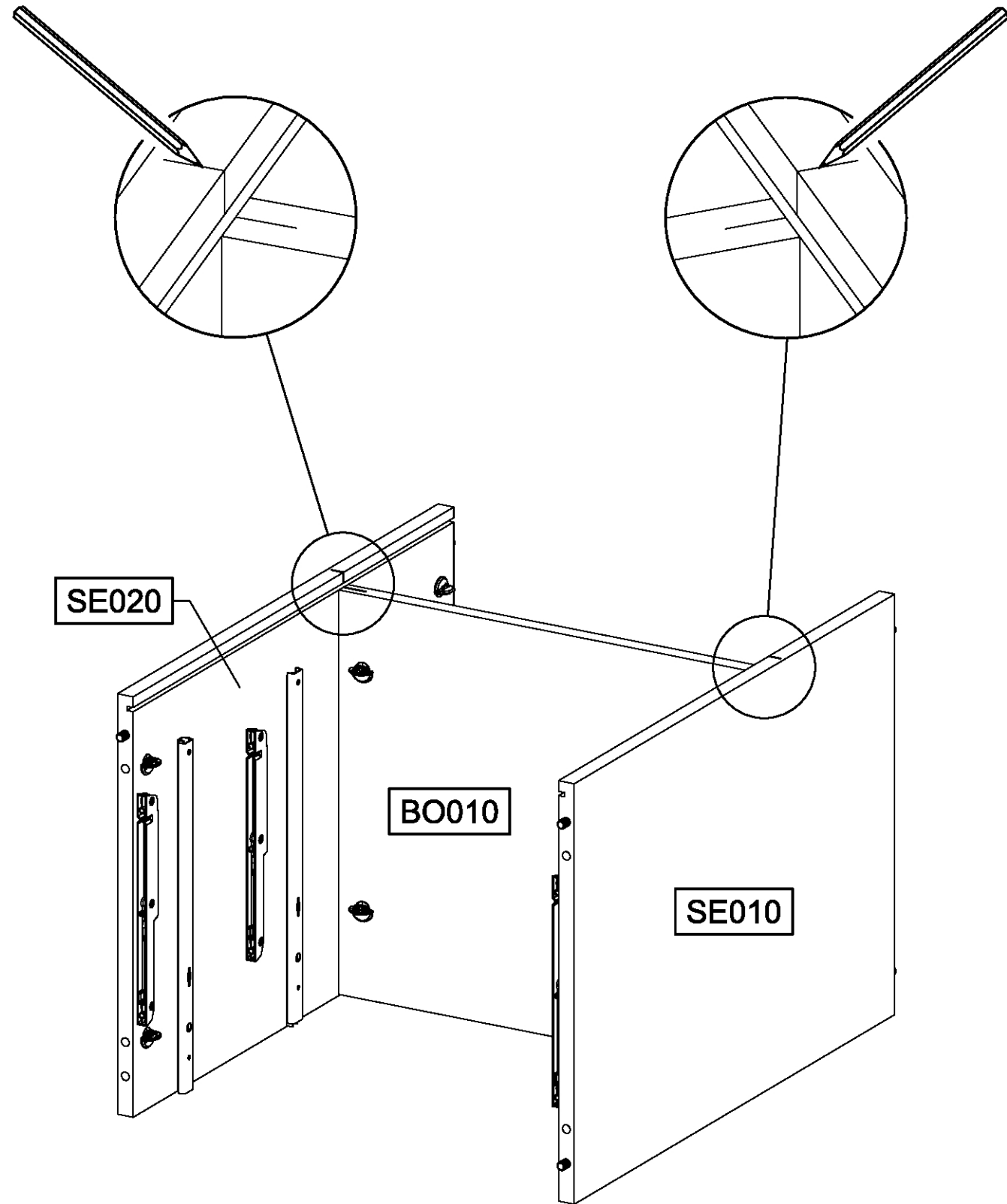
13 **4x** 1188 



14 

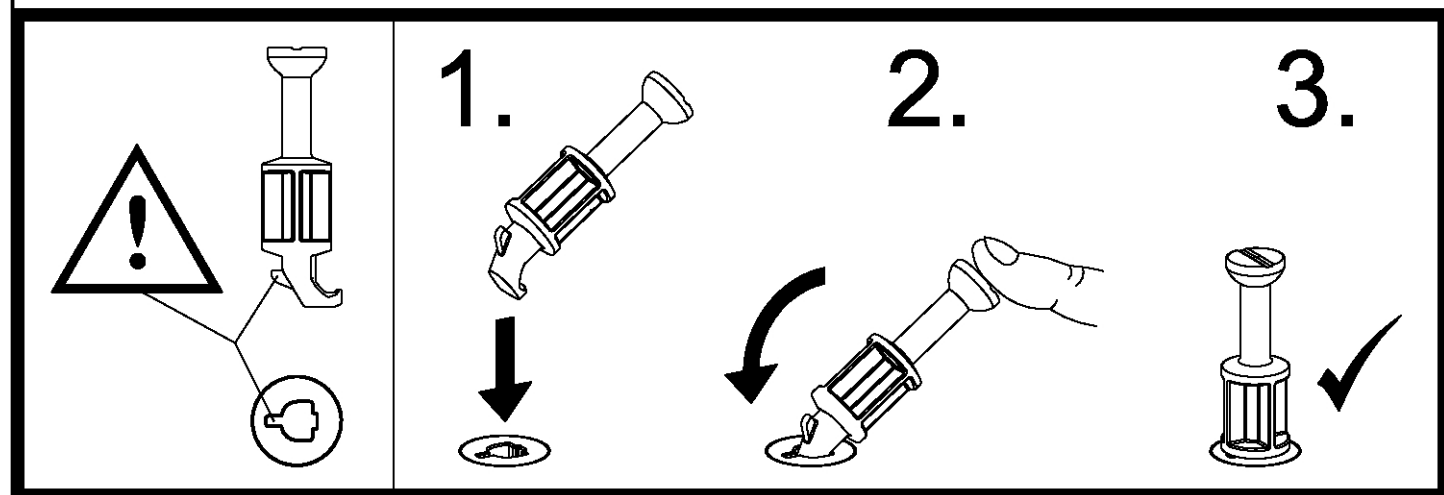
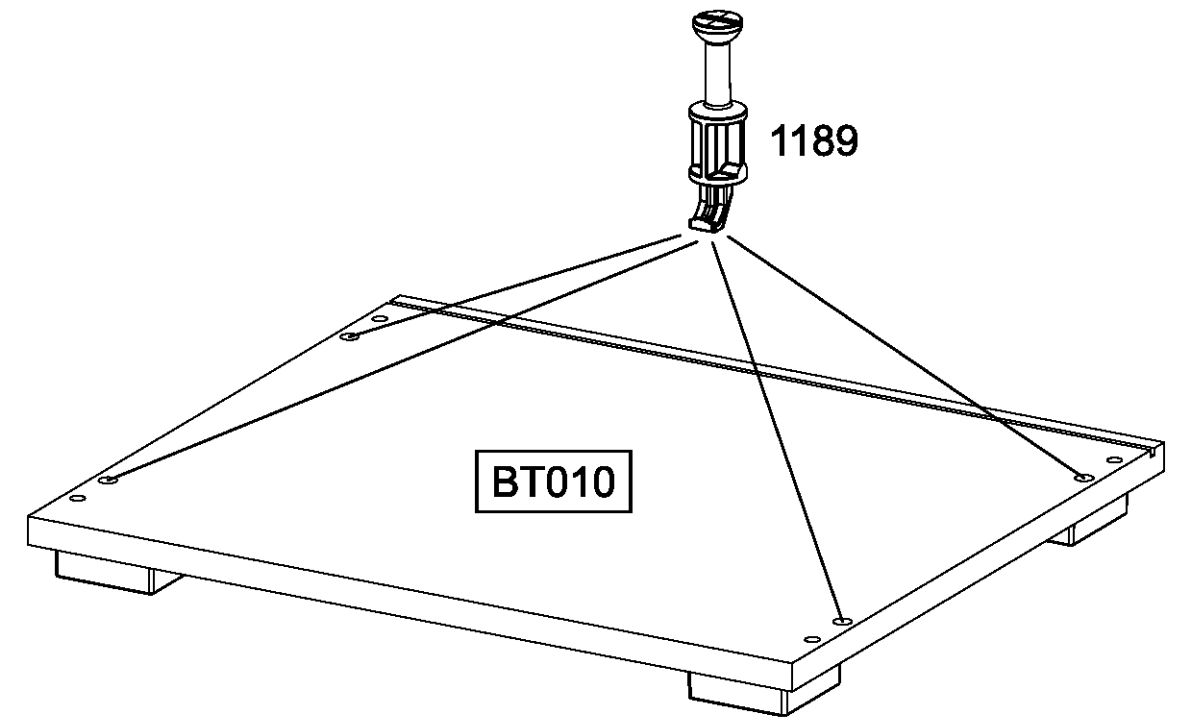


15



16

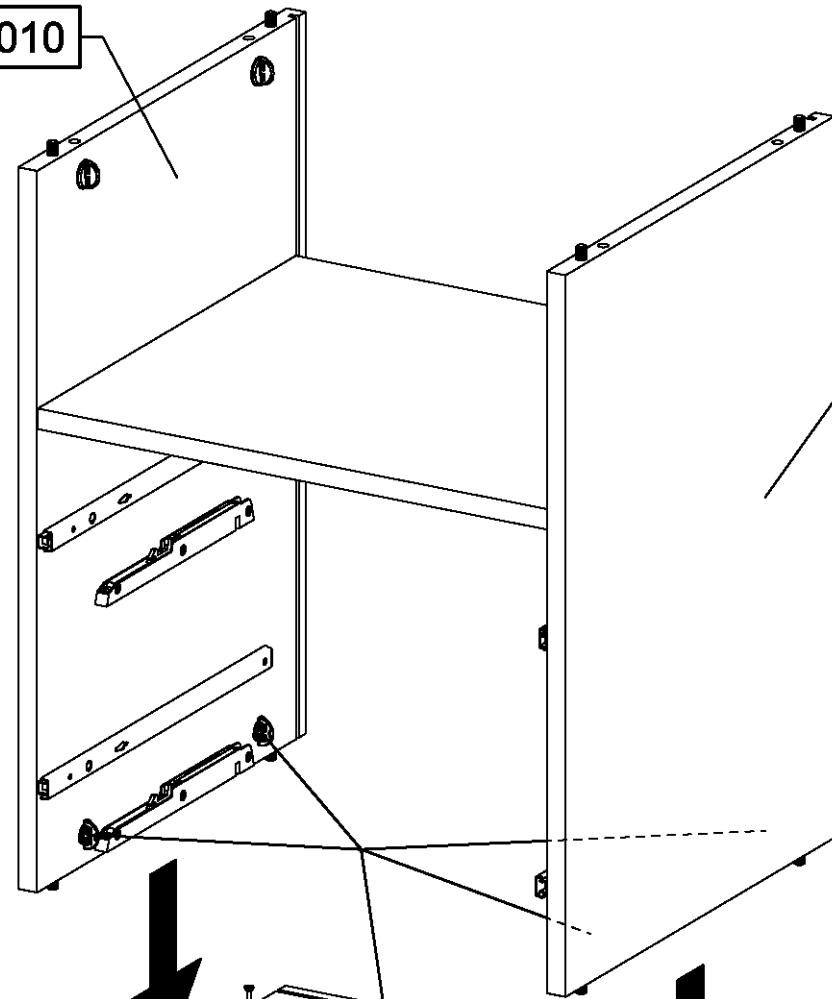
4x 1189



17

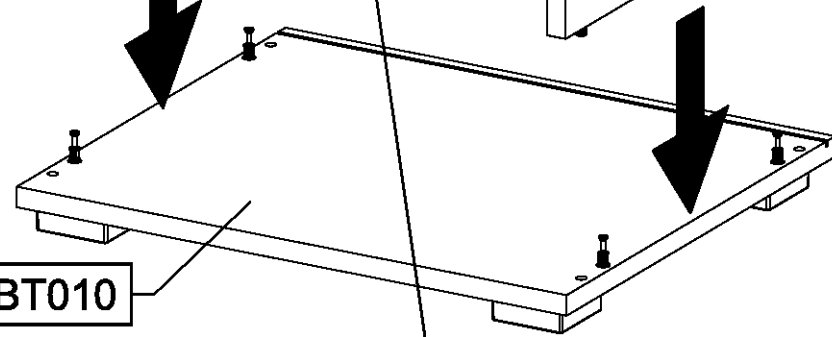


SE010

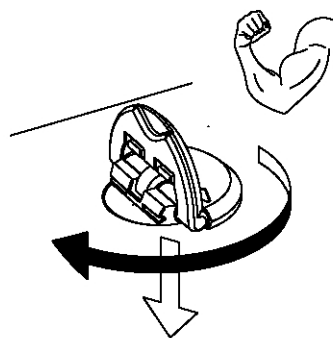


SE020

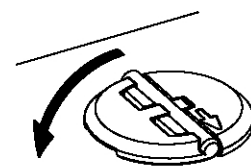
BT010



1.

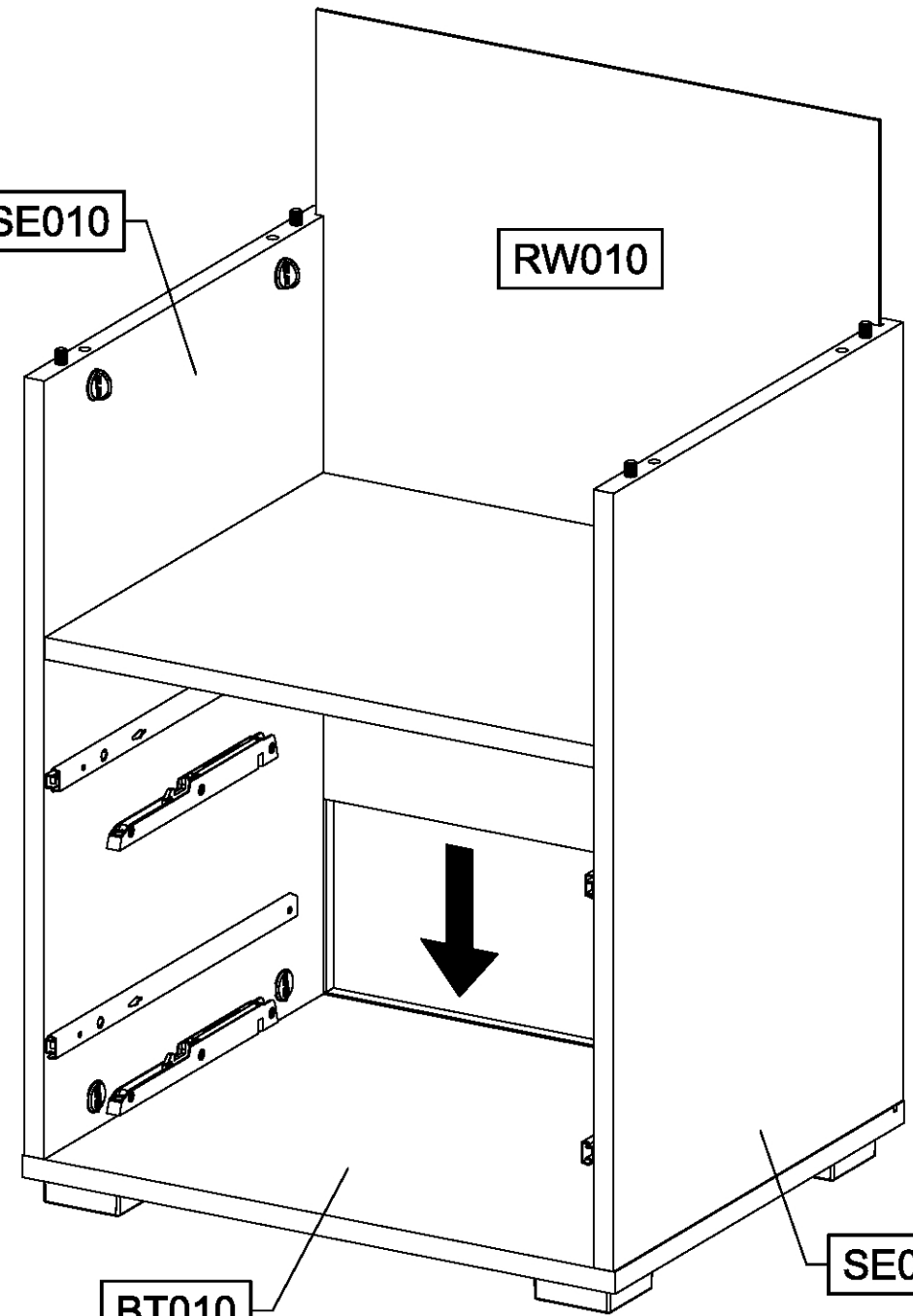


2.



18

SE010



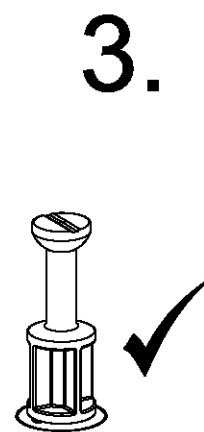
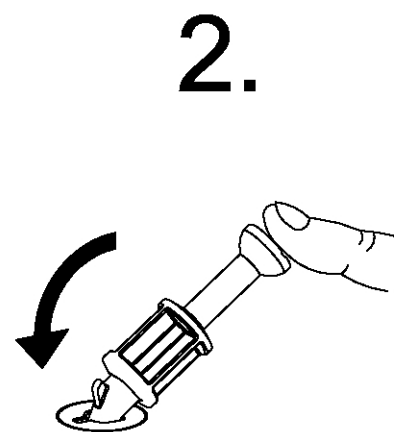
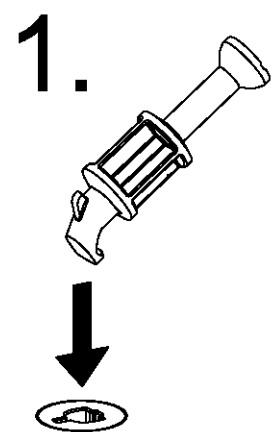
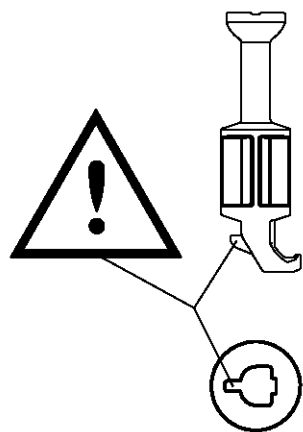
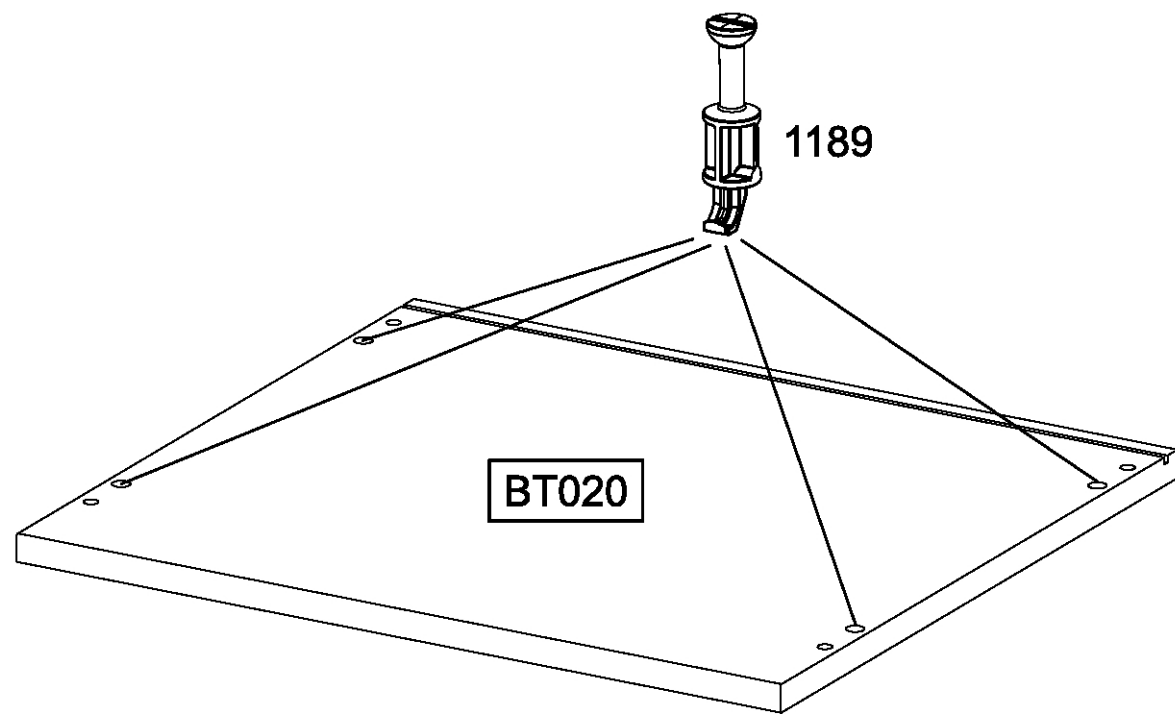
RW010

BT010

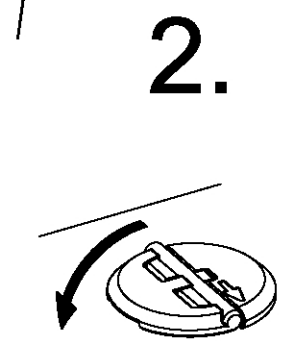
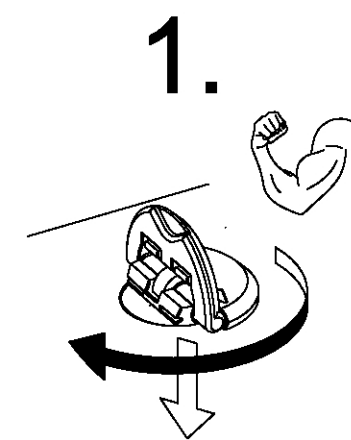
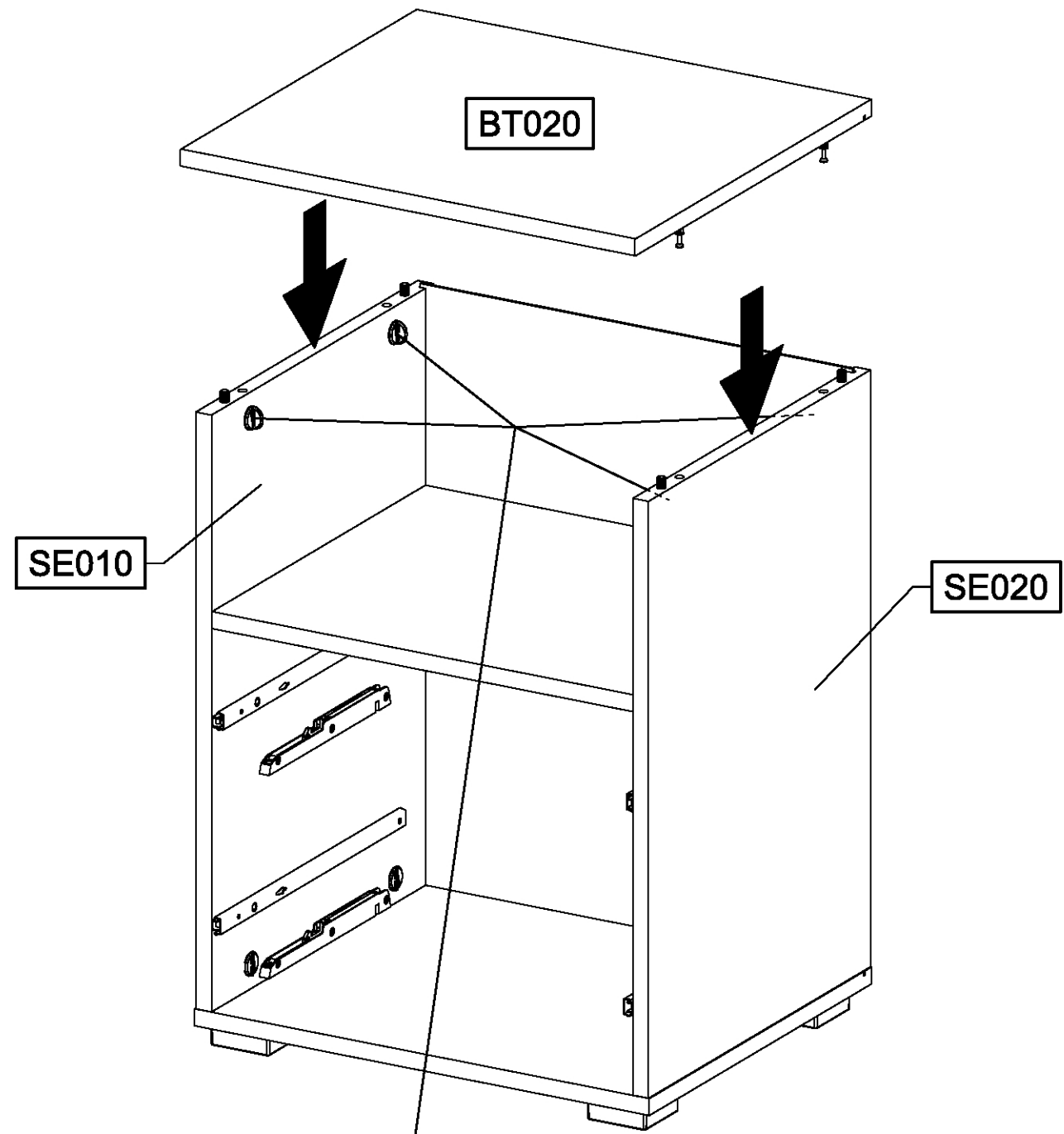
SE020

19

4x 1189

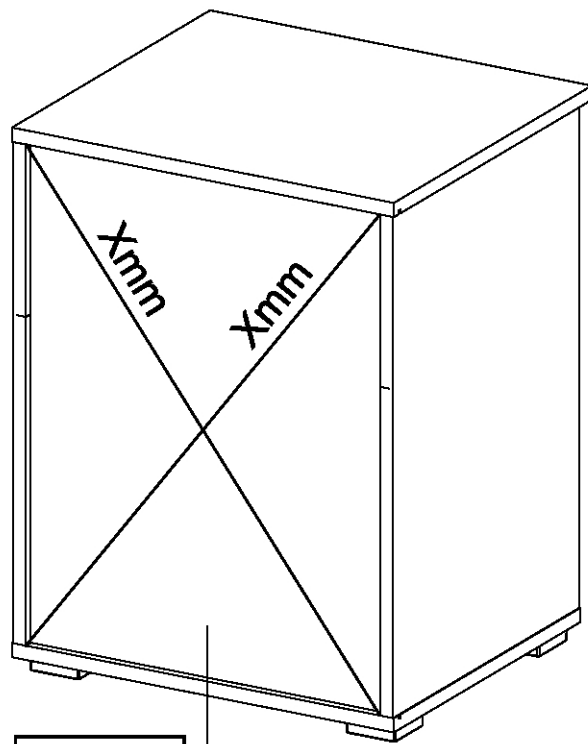
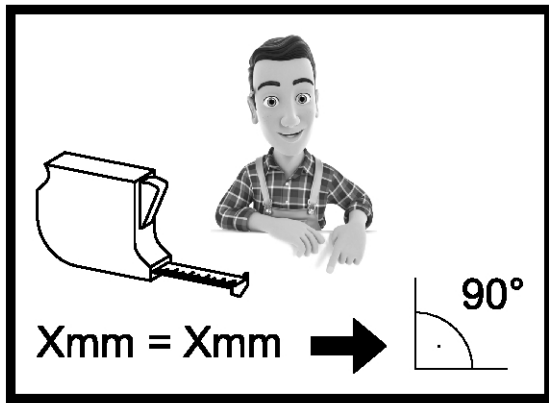
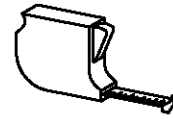


20

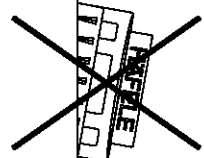


21

4x 1090



RW010



1090

RW010

1090

SE010
SE020

RW010

1090

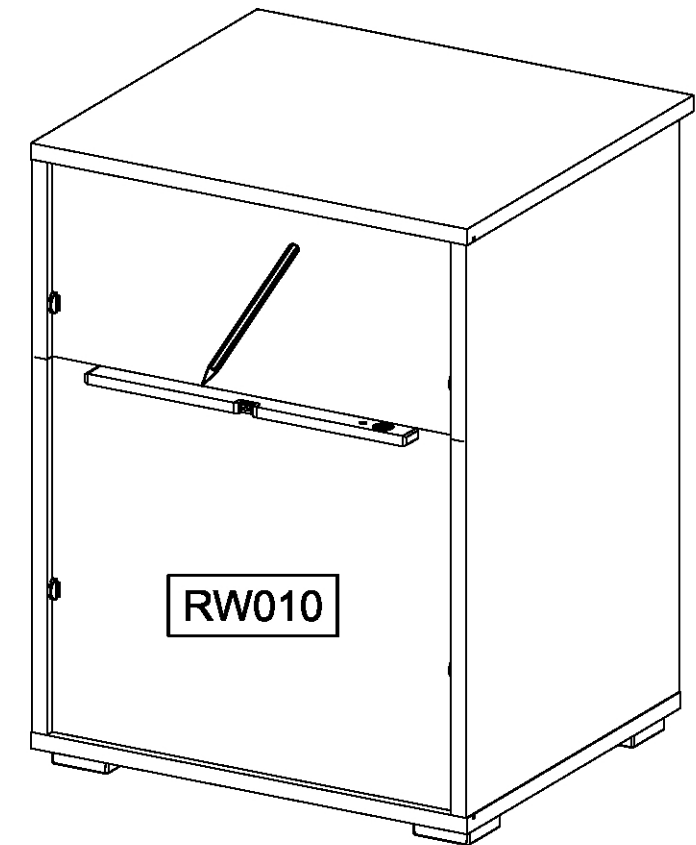
22

3x

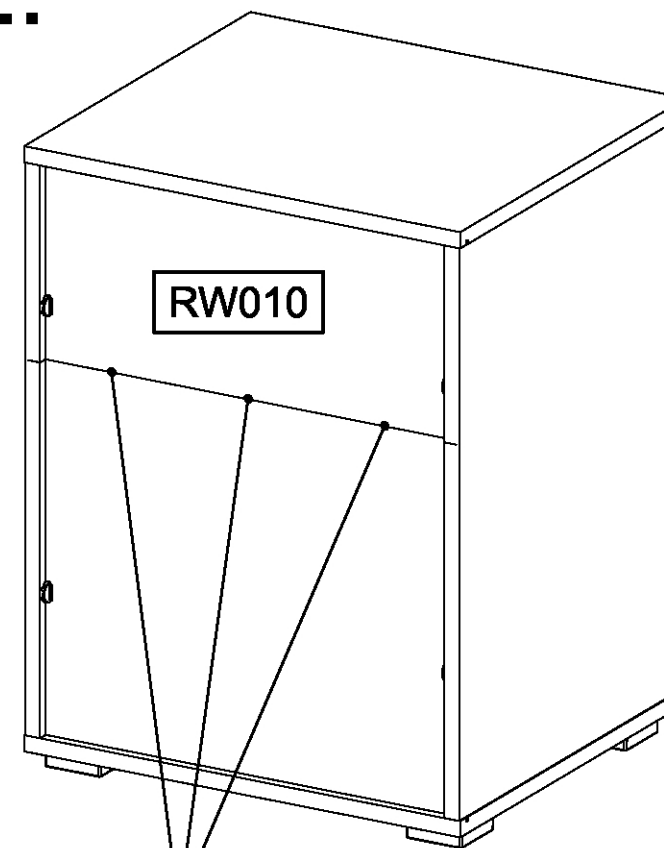
215



1.

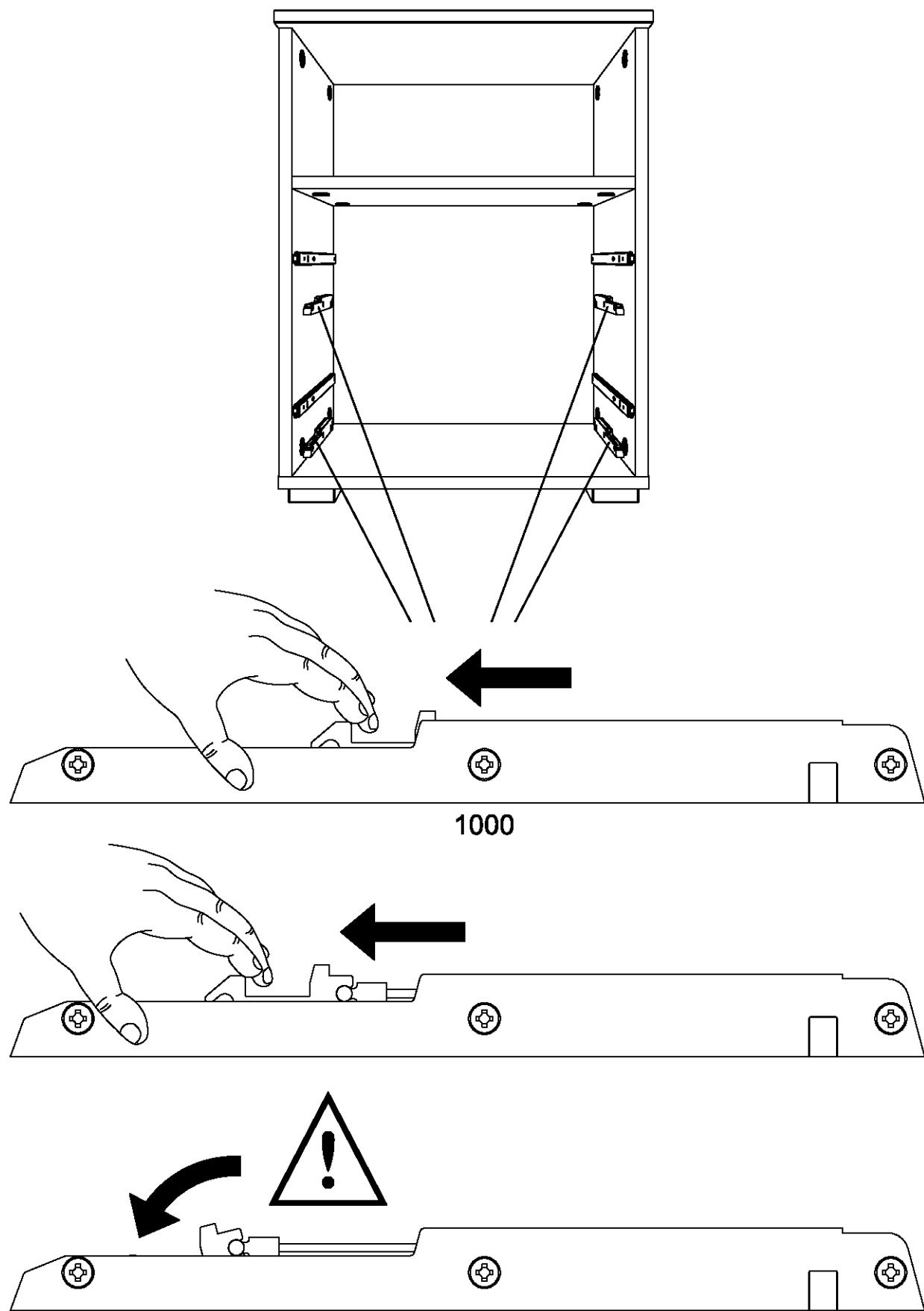


2.



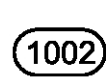
215

23



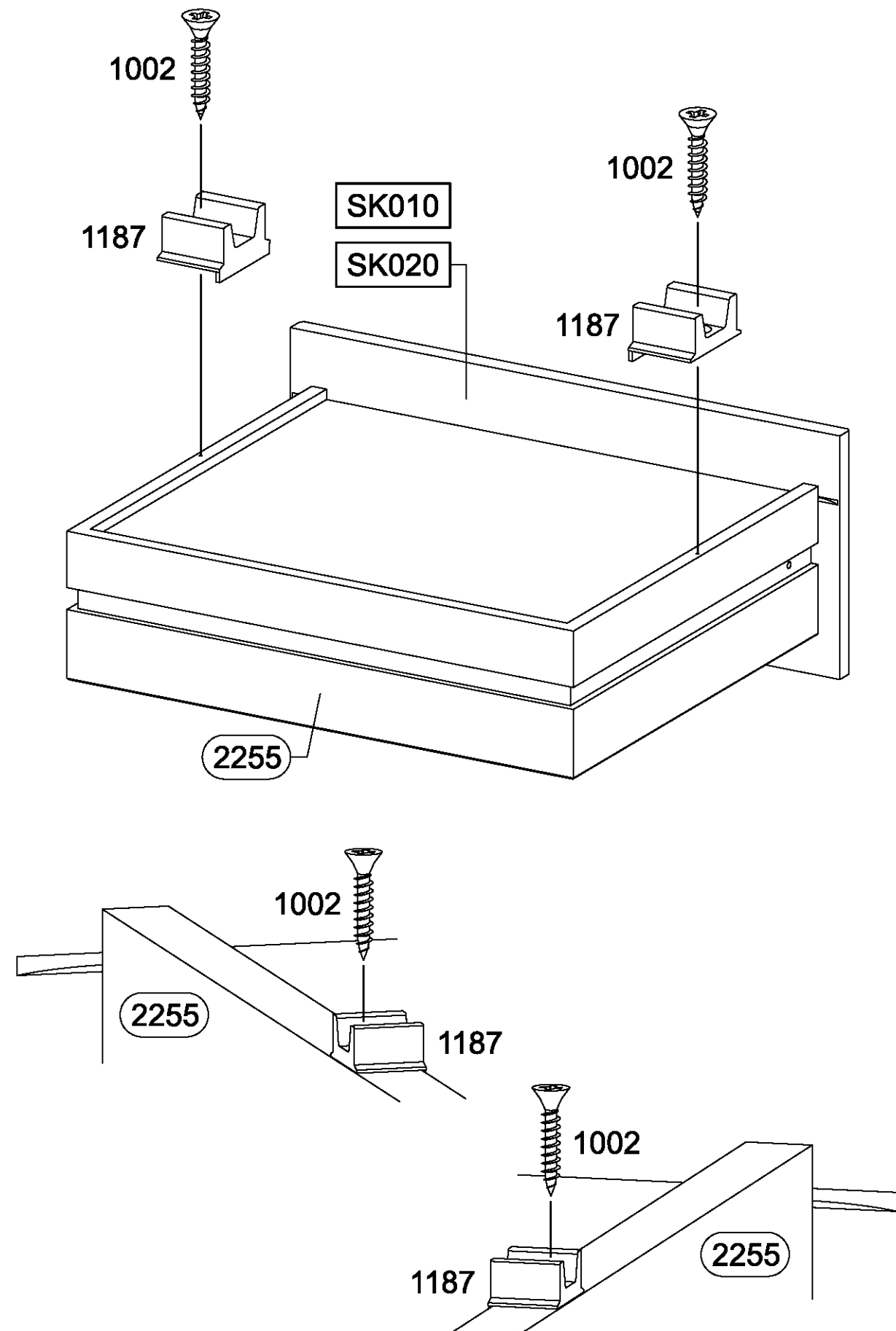
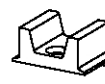
24

4x



3,5x20

4x

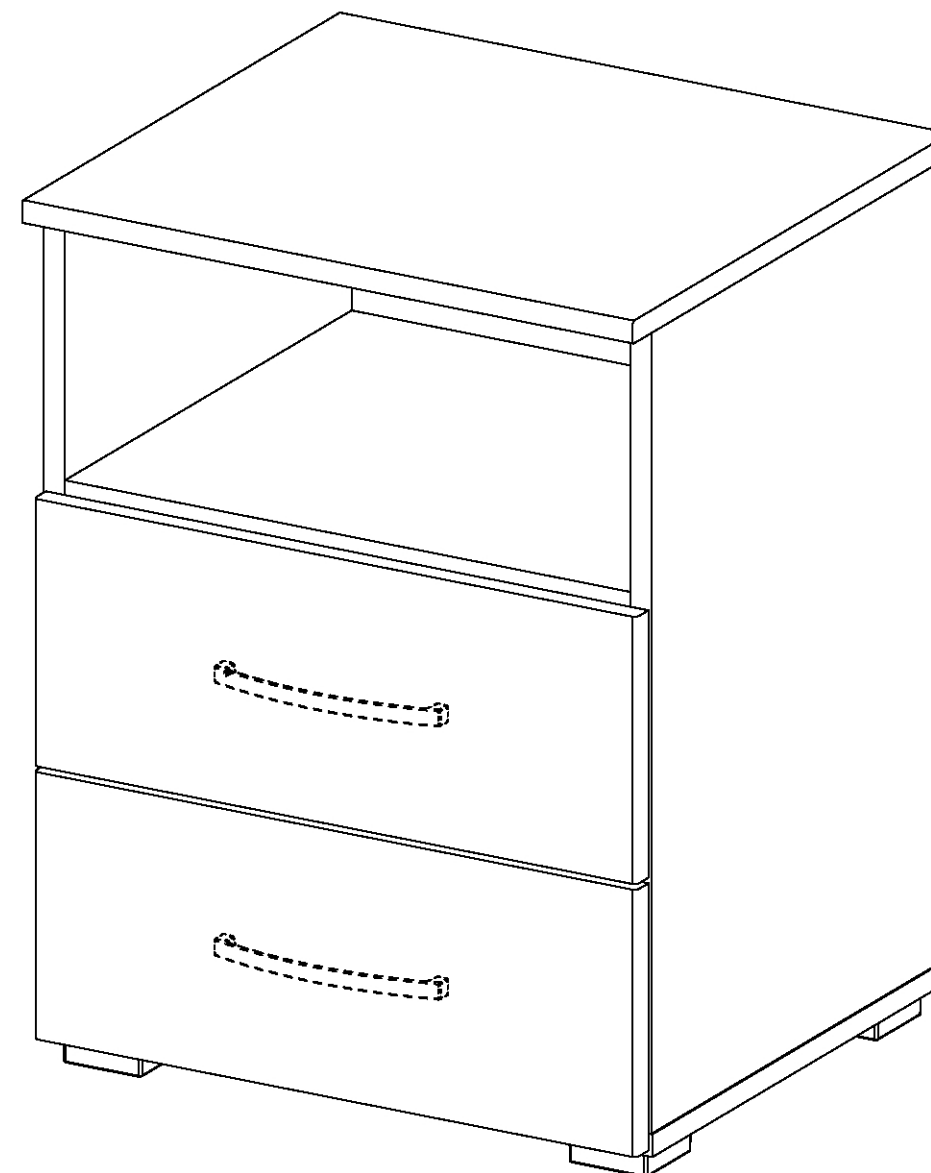
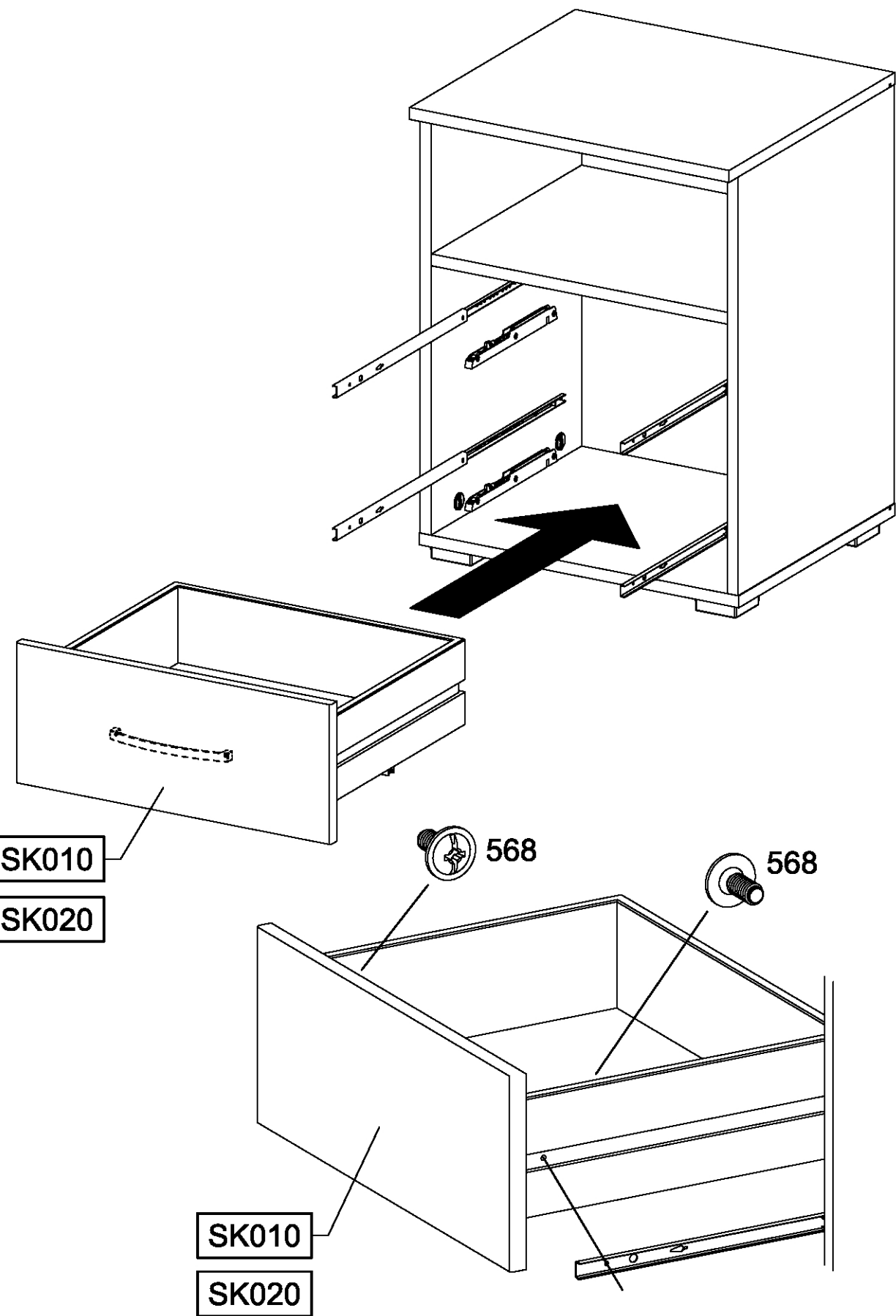


25

4x

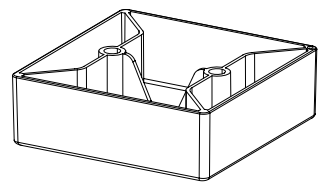
568

M4x9



MZ044_02

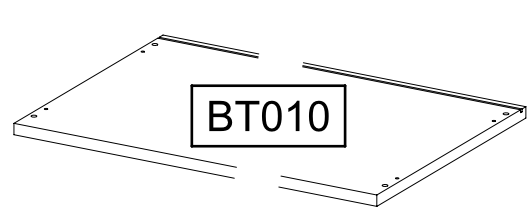
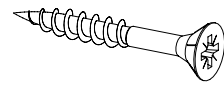
rauch



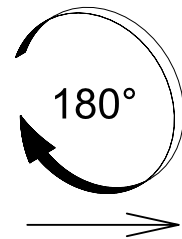
FU010

4x30

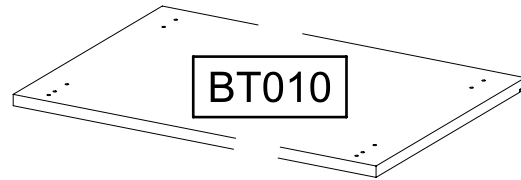
213



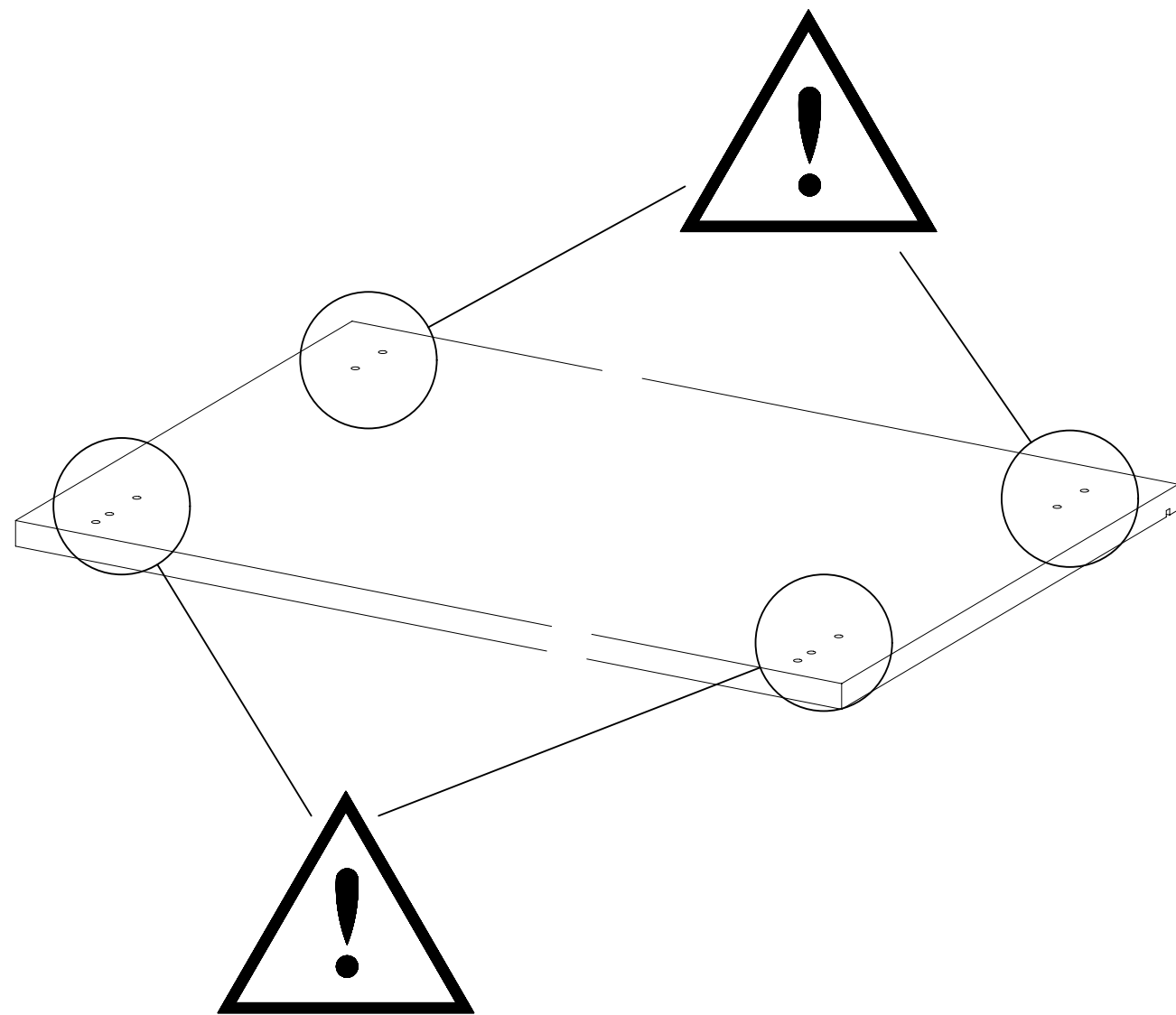
BT010



180°



BT010

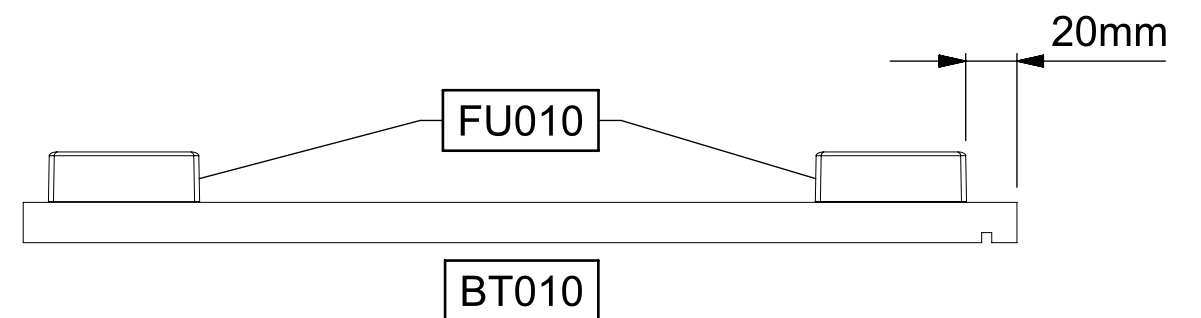
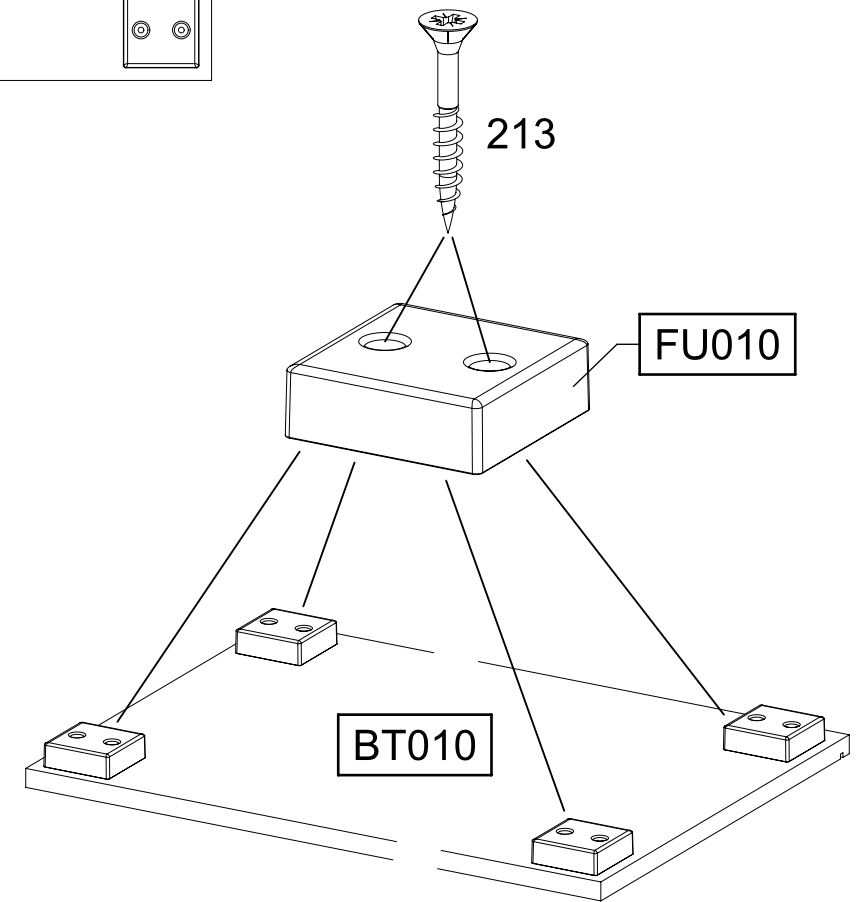
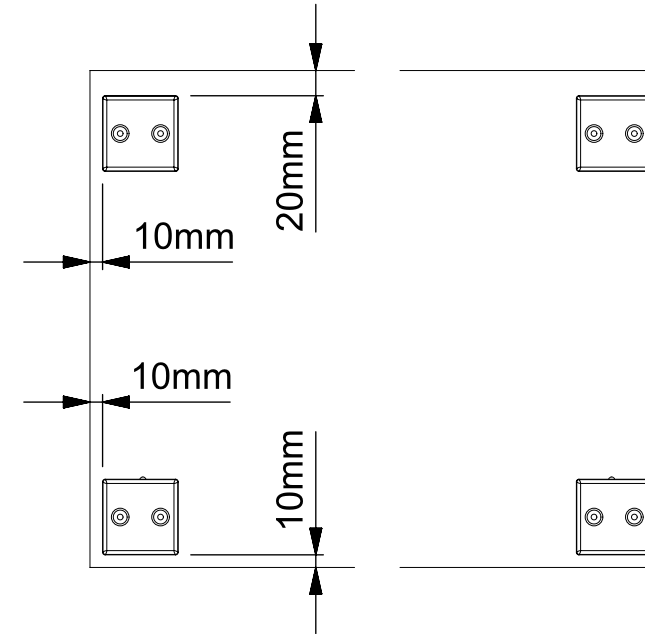
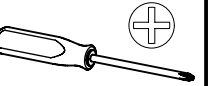


1

8x

213

4x30



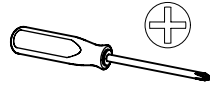
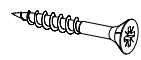
3.

2

2x

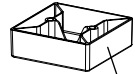
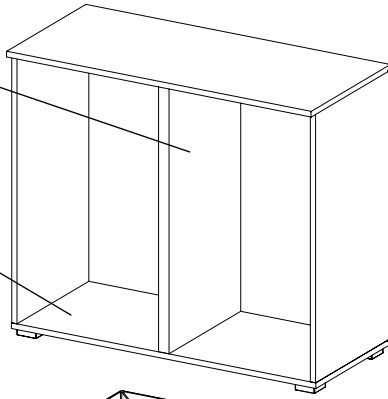
213

4x30



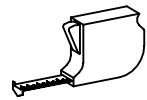
MS010

BT010

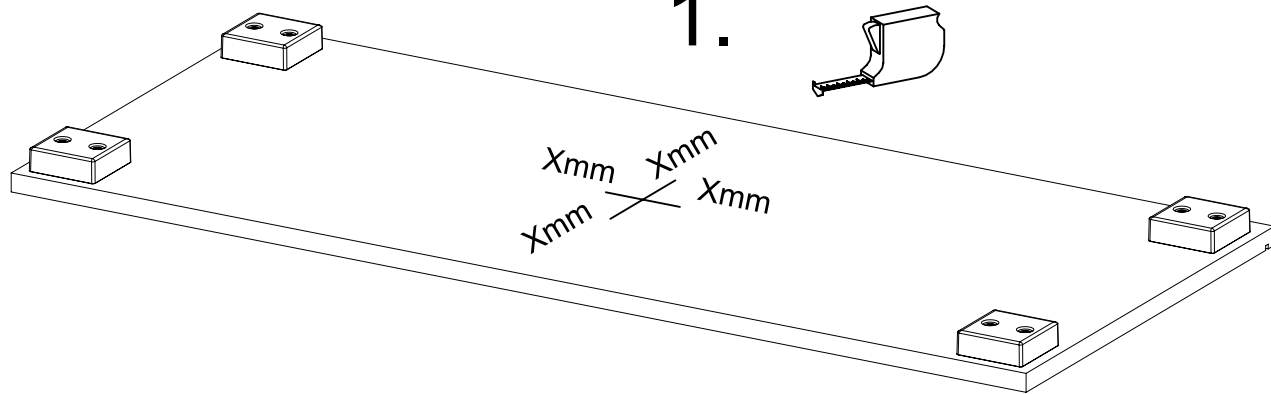


FU010

1.



Xmm Xmm
Xmm Xmm

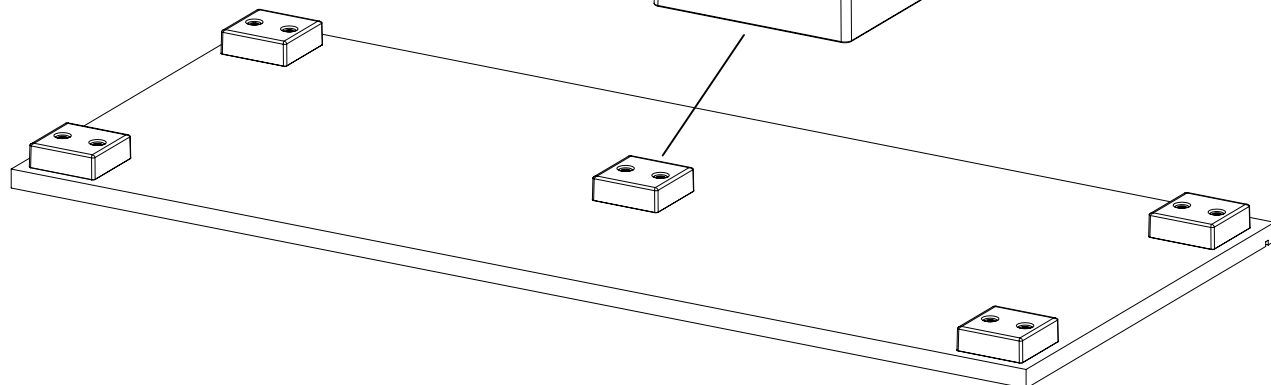
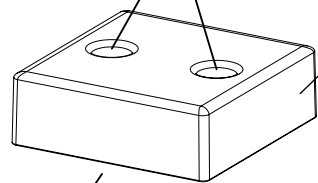


2.



213

FU010



MZ044

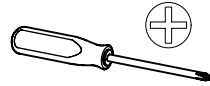
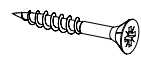
4.

3

2x

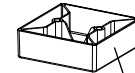
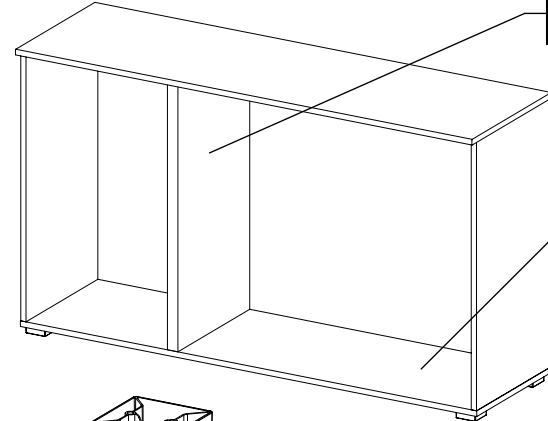
213

4x30

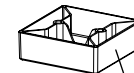


MS010

BT010

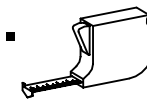


FU010

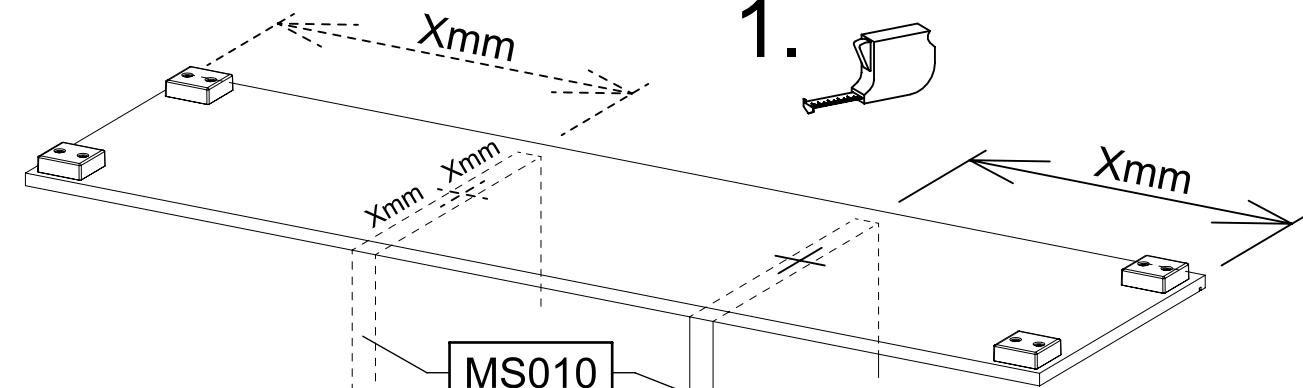


FU010

1.



Xmm Xmm
Xmm Xmm Xmm



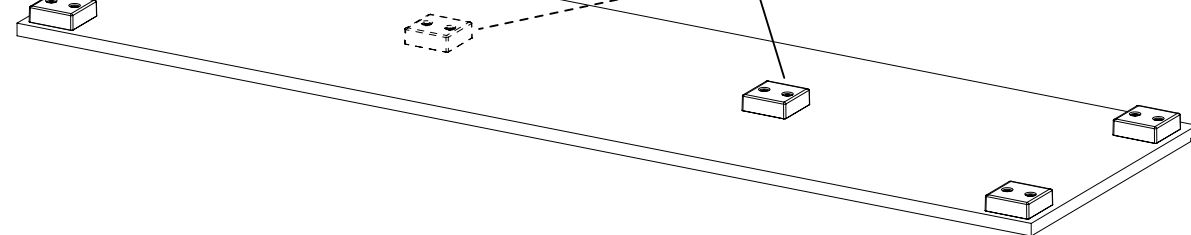
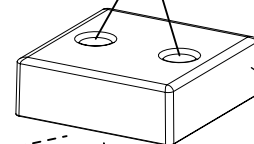
?

2.



213

FU010



MZ044

4

4x

213

4x30

