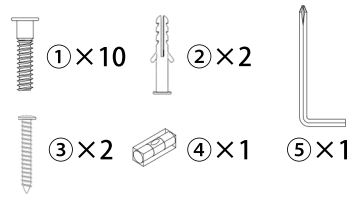
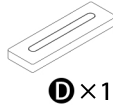
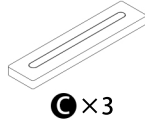
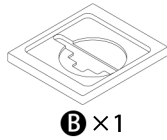
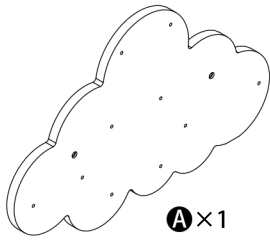
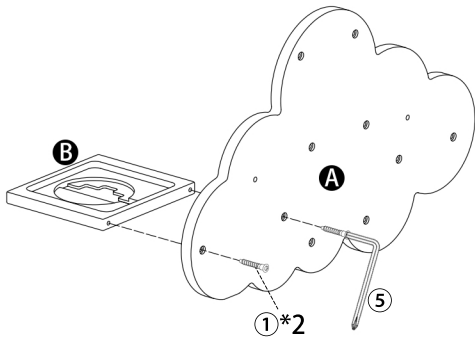


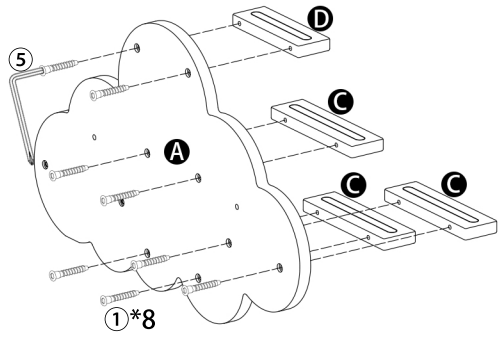
# ASSEMBLY INSTRUCTION



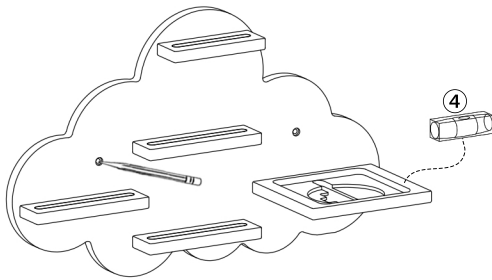
self-provided tools drill bit: 1/4" (6mm)



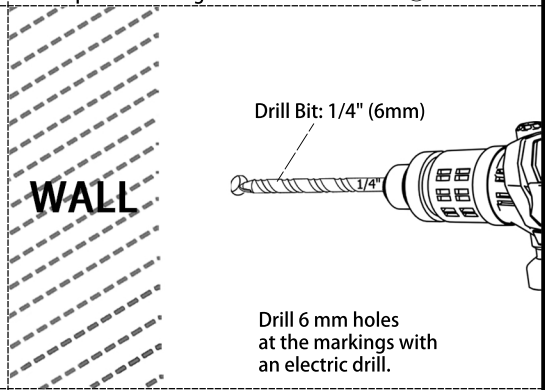
Screw parts A B together with screwdriver ⑤.



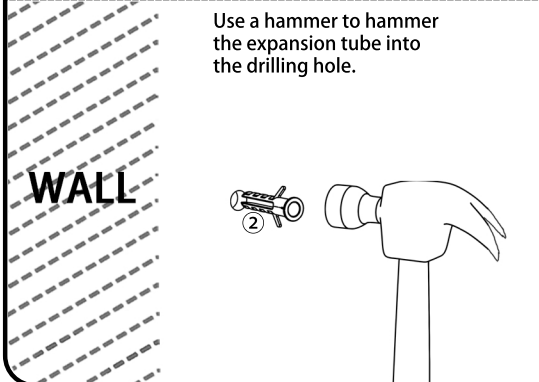
Screw parts A C D together with screwdriver ⑤.



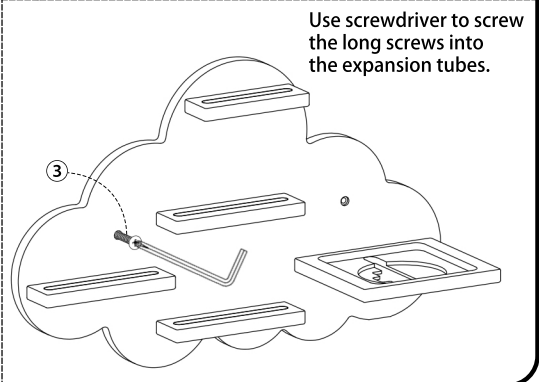
Mark the place where you want to install the shelf and check with a level.



Drill 6 mm holes at the markings with an electric drill.



Use a hammer to hammer the expansion tube into the drilling hole.



Use screwdriver to screw the long screws into the expansion tubes.