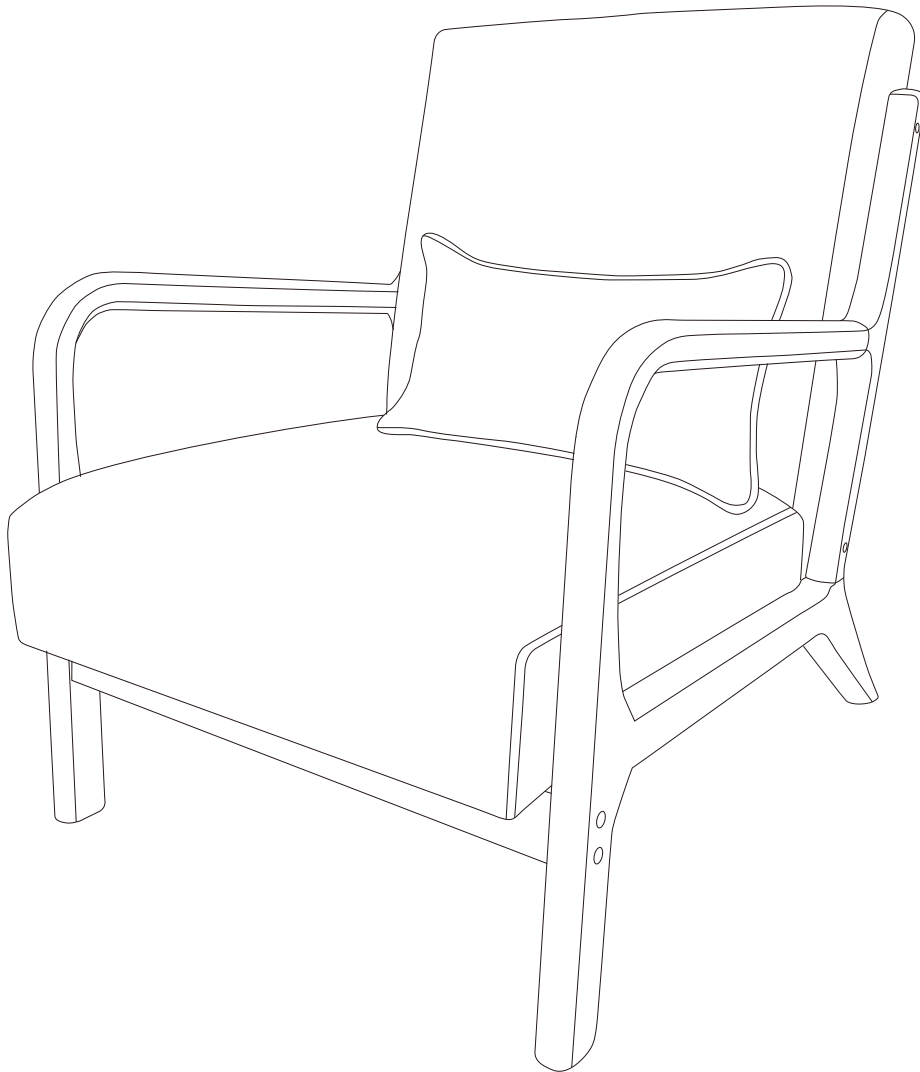
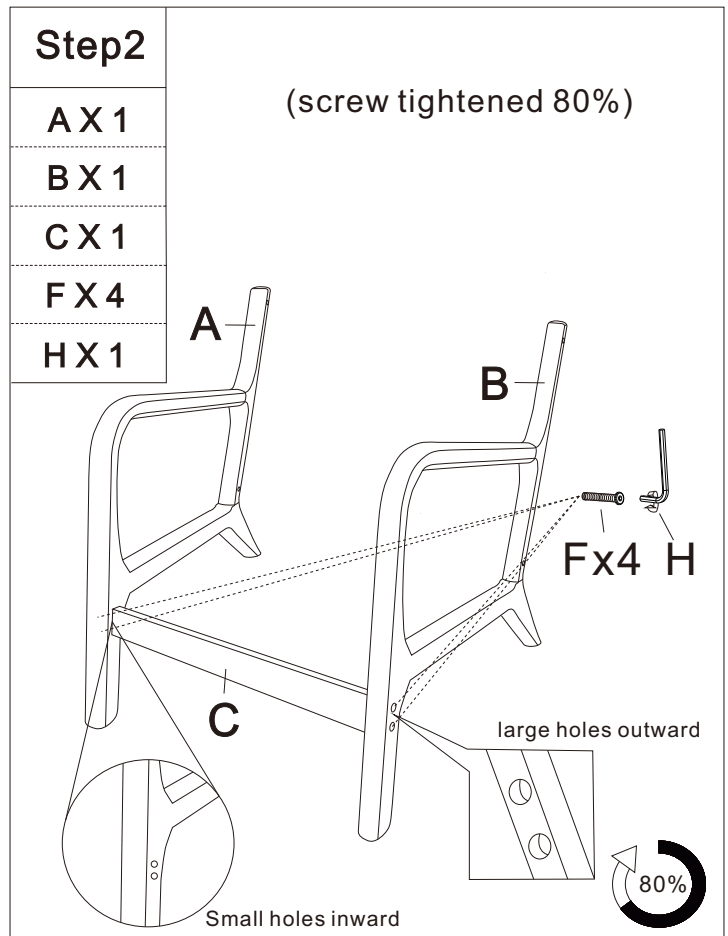
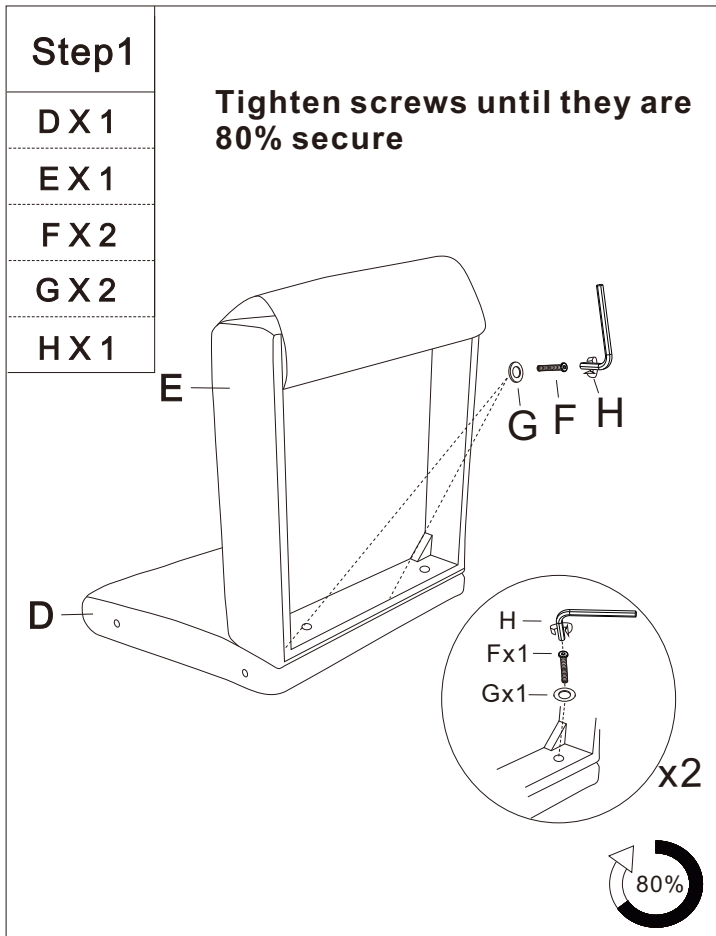
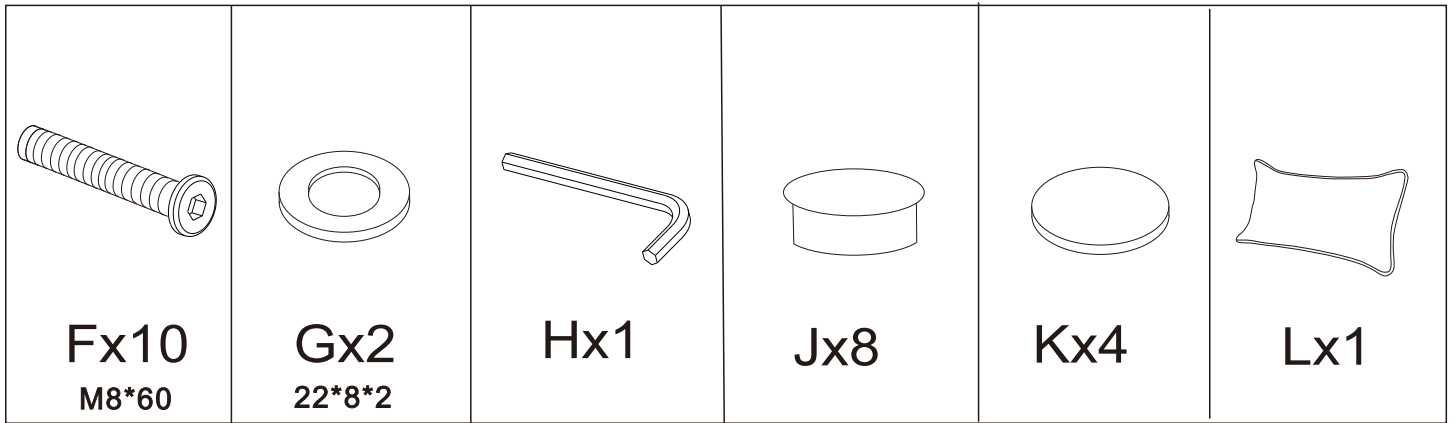
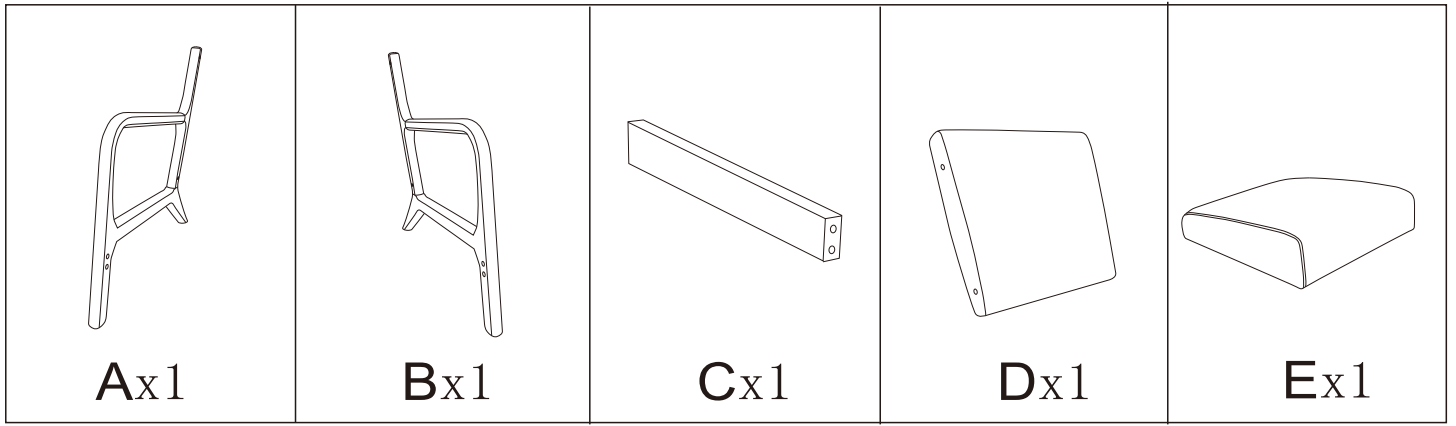


# Installation & Assembly





<b>Step3</b>	(screw tightened 80%)
<b>F X 4</b>	
<b>H X 1</b>	

**x4**

<b>Step4</b>	After all parts are aligned, tighten all screws completely (100%).
<b>H X 1</b>	

**x4**

<b>Step5</b>	
<b>K X 4</b>	
<b>L X 1</b>	

**x4**

<b>Step6</b>	
<b>J X 8</b>	

**x4**

**WARNING:**

- DO NOT stand on this chair.
- Maximum occupancy: One person per chair.
- DO NOT use the chair until ALL bolts and screws are fully tightened.
- At least every four months, check and retighten ALL bolts and screws to ensure they are secure.
- If any parts are missing, broken, damaged, or worn, STOP USING the chair immediately until it is repaired.
- FAILURE TO FOLLOW THESE WARNINGS COULD RESULT IN SERIOUS INJURY.