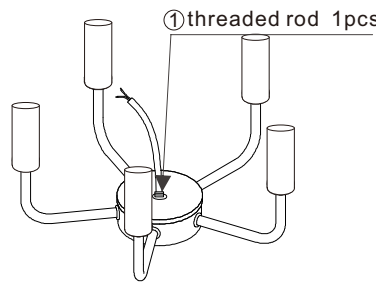


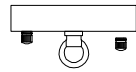
④ hemp rope lampshade 1pcs



① threaded rod 1pcs

③ hanging ring 1pcs

② hanging tube 1pcs



⑥ canopy 1pcs

⑦ cap nut 2pcs



⑤ chain 1pcs



X 1PCS



X 3PCS



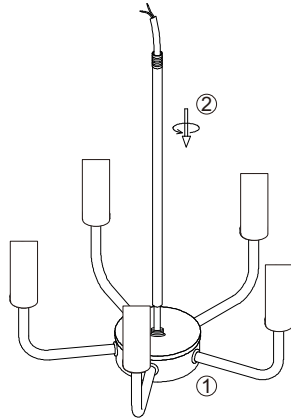
X 3PCS



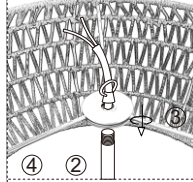
X 3PCS



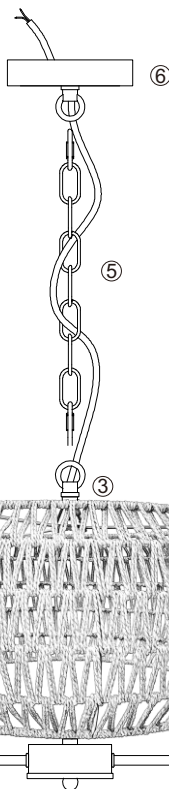
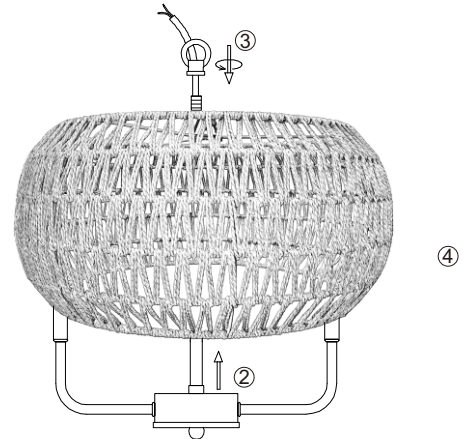
X 3PCS



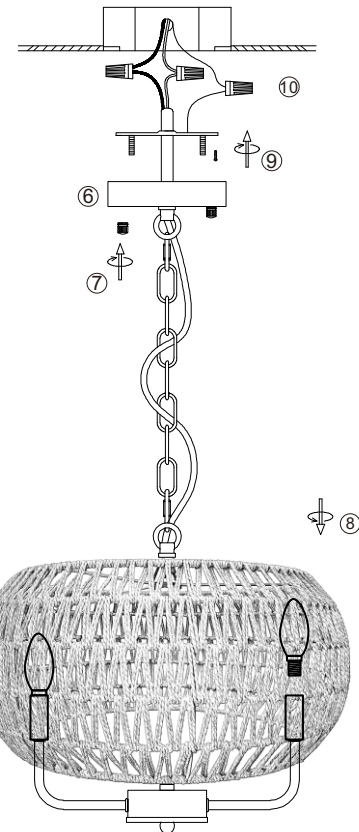
1. Let the wire of the fixture go through the hanging tube 2, rotate to fasten the tube 2 to the fixture.



2. Let the wire go through the hemp rope lampshade 4 and ring 3, rotate the ring 3 to fasten the lampshade 4 to the fixture.



3. Hang the fixture to the canopy 6 with chain 5, let the wire go through the chain 5 and canopy 6.



The shape of the lampshade is based on the actual object received.

4. Install the bracket to the ceiling junction box with screw 9.
5. Connect the wire to the house line with cap connector 10.
6. Install the fixture to the bracket with cap nut 7.
7. Install the bulb 8.

Please read the installation instructions carefully before installing!!!

Installation of this fixture must be operated by a professional, and the power supply must be cut off before installation to prevent electric shock!!!!