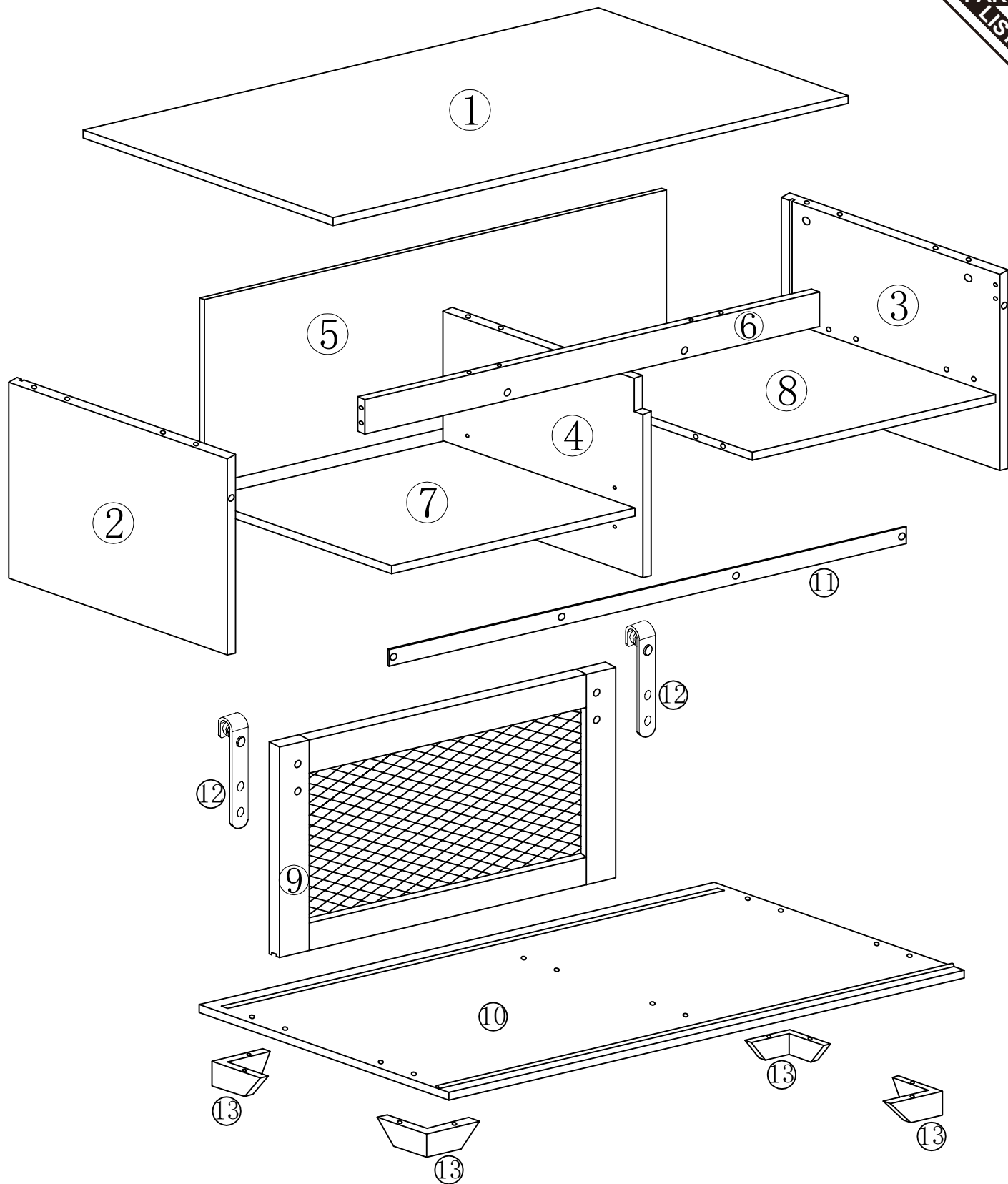
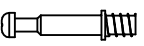


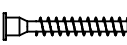

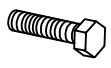


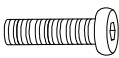
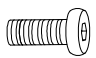
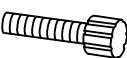





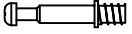
READ AND SAVE THIS INSTRUCTION FOR FUTURE USE

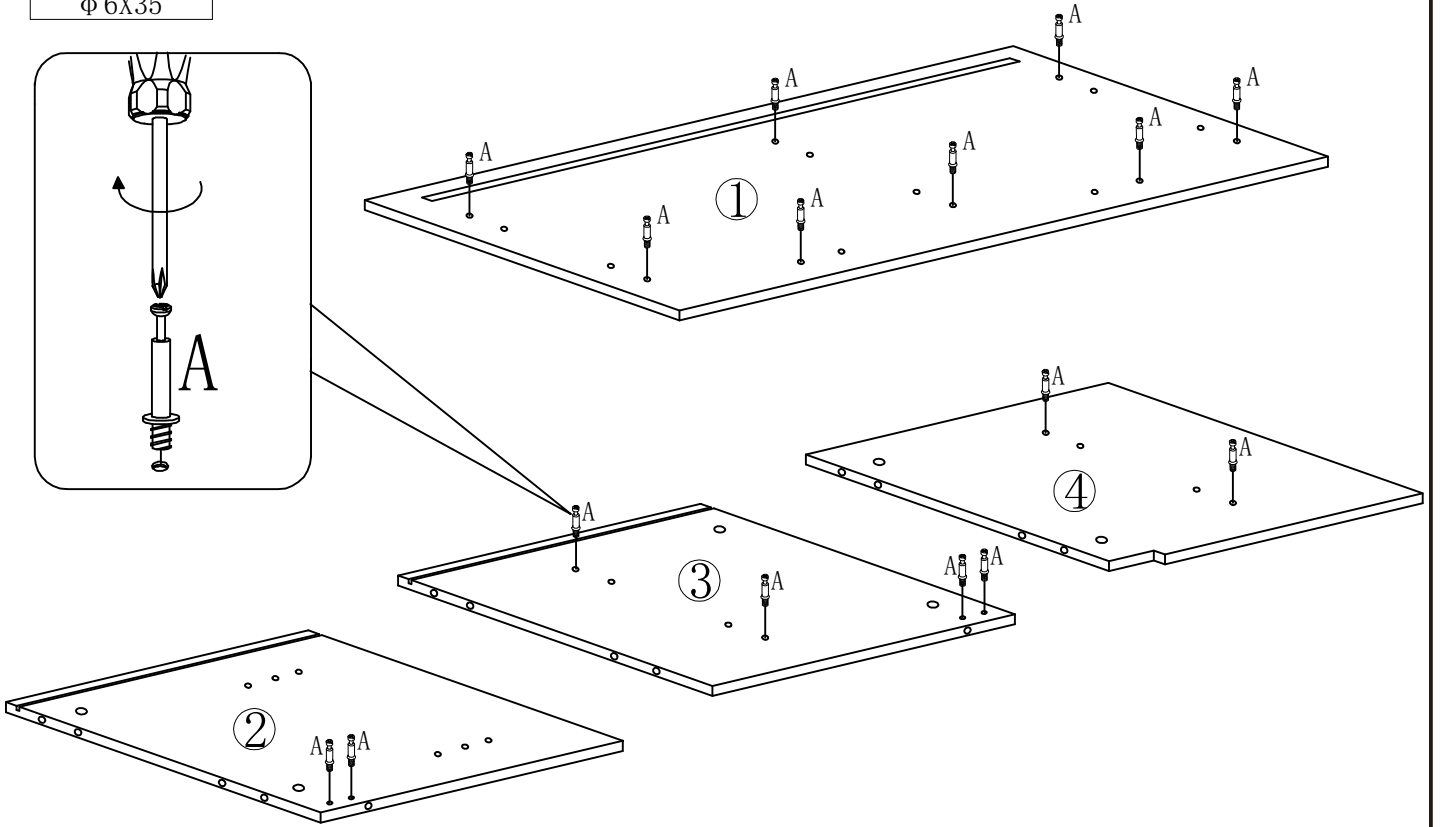
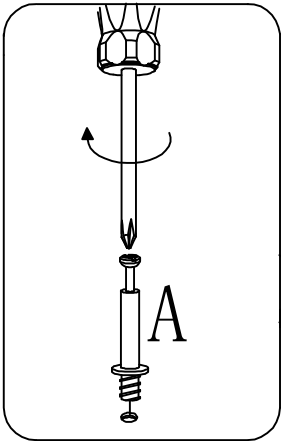
ASSEMBLY INSTRUCTION






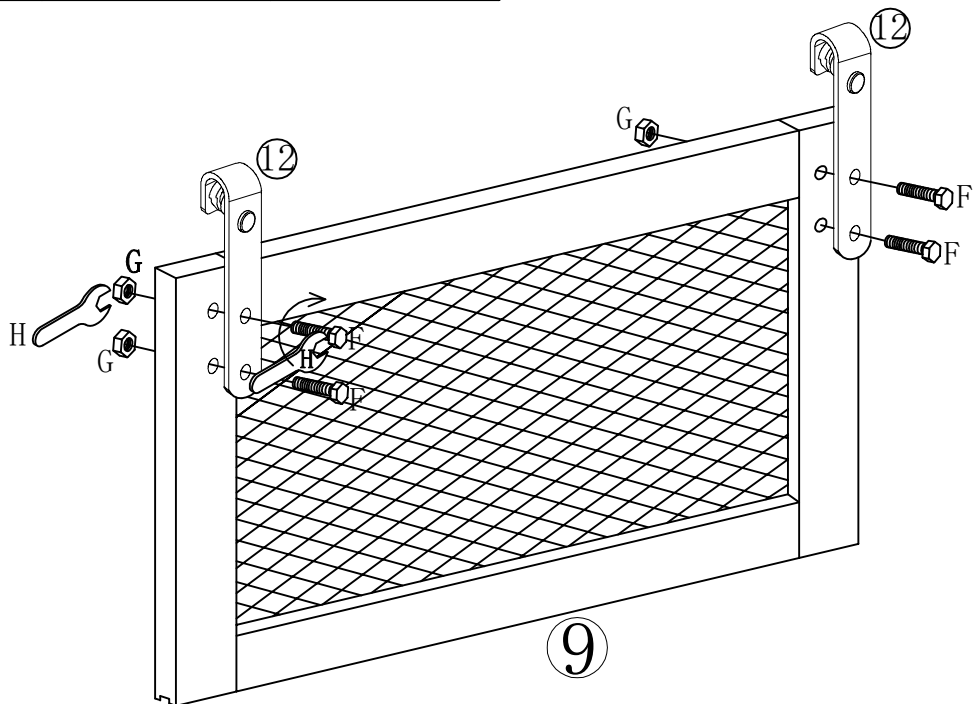
A	*16	B	X16	C	X18	D	X6	E	X1	F	×4	G	×4
													
φ 6X35		φ 15X12		φ 7. 8X30		φ 7X47		M4X55		M6*25mm		M6*10mm	



H	×2	I	*8	J	*2	K	*2	L	*2	M	*2	N	*4
													
M10mm		M6*50mm		M6*32mm		M6*41mm		φ 16*19mm		φ 16*10mm		φ 5*13	

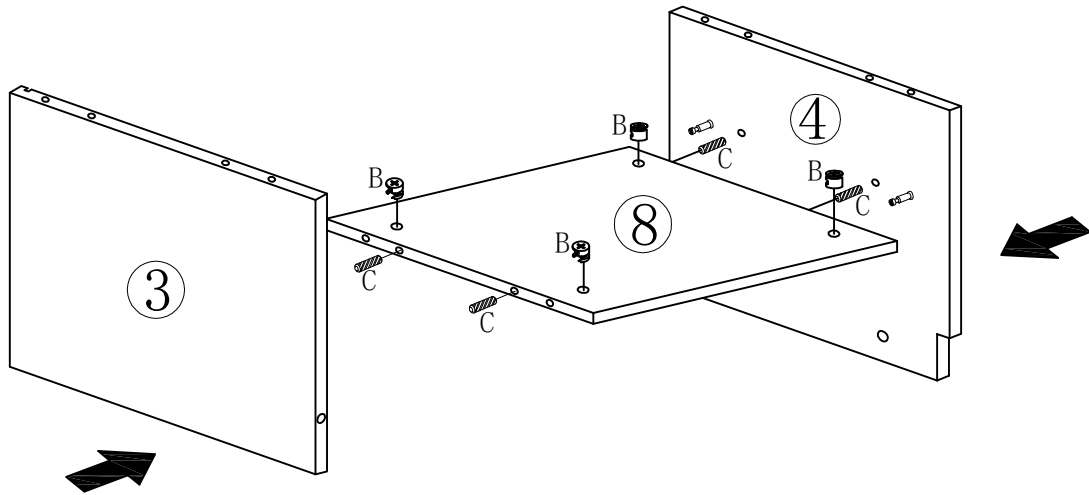
A	X16
	
$\phi 6 \times 35$	




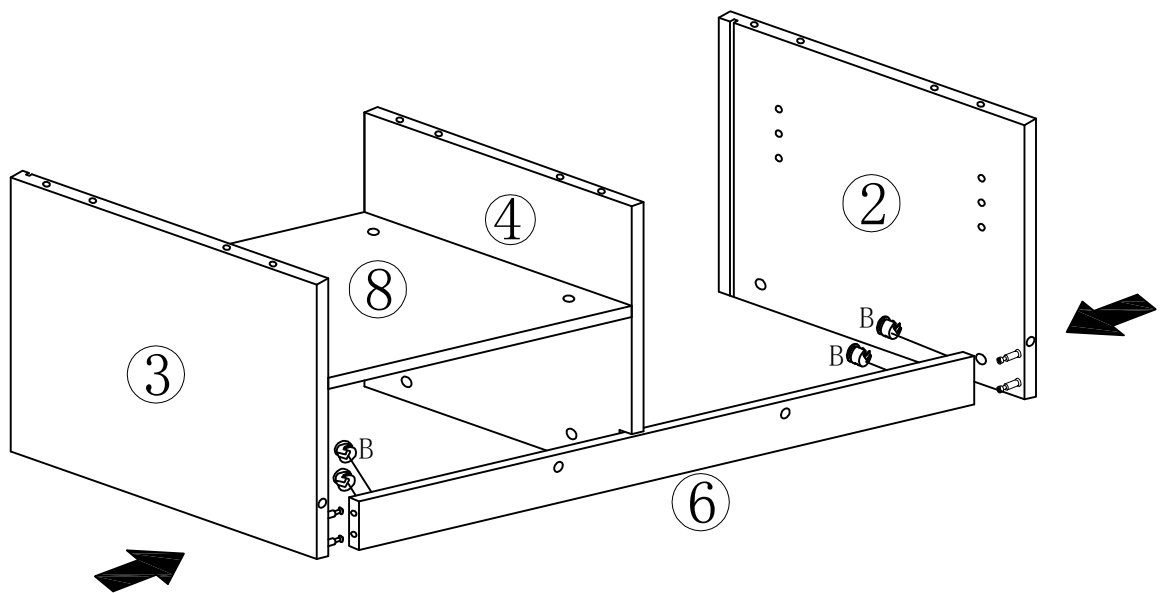
F	×4	G	×4	H	×2
					
M6*25mm		M6*10mm		M10mm	





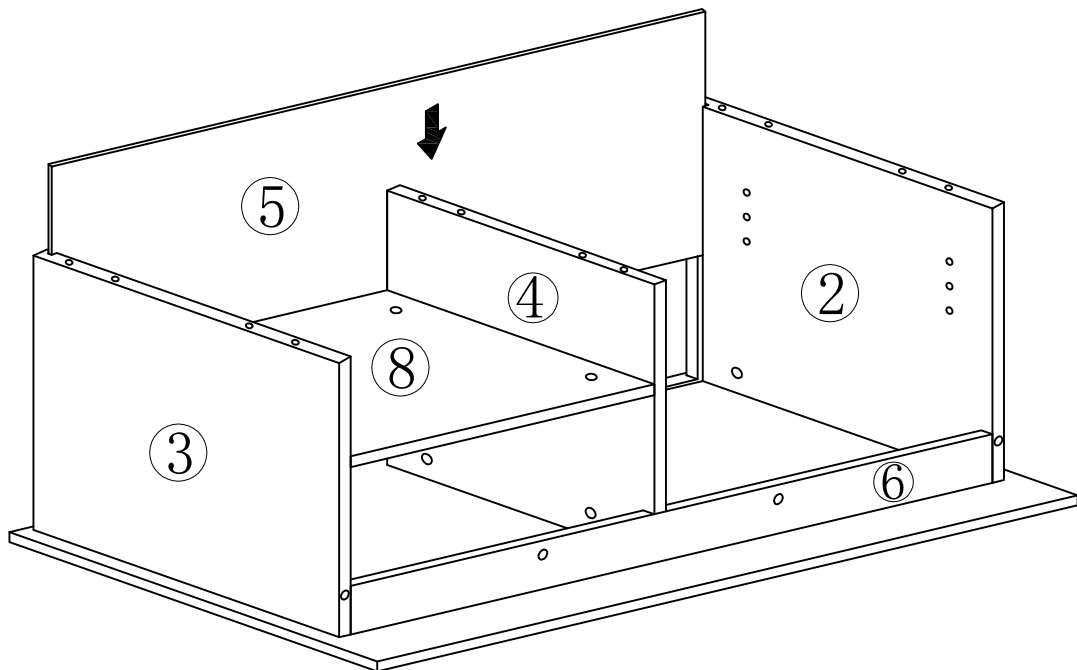
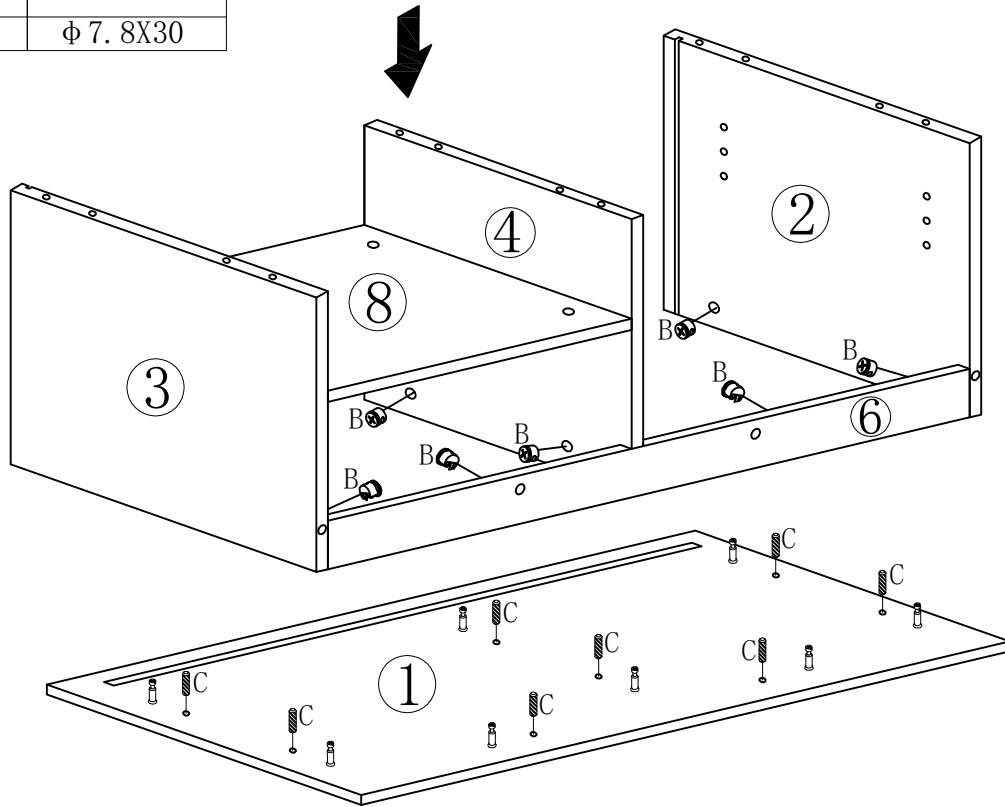
B	X4	C	X4
			
$\phi 15 \times 12$		$\phi 7.8 \times 30$	

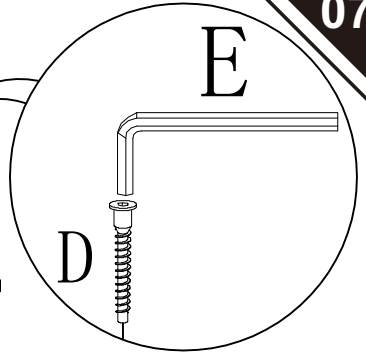
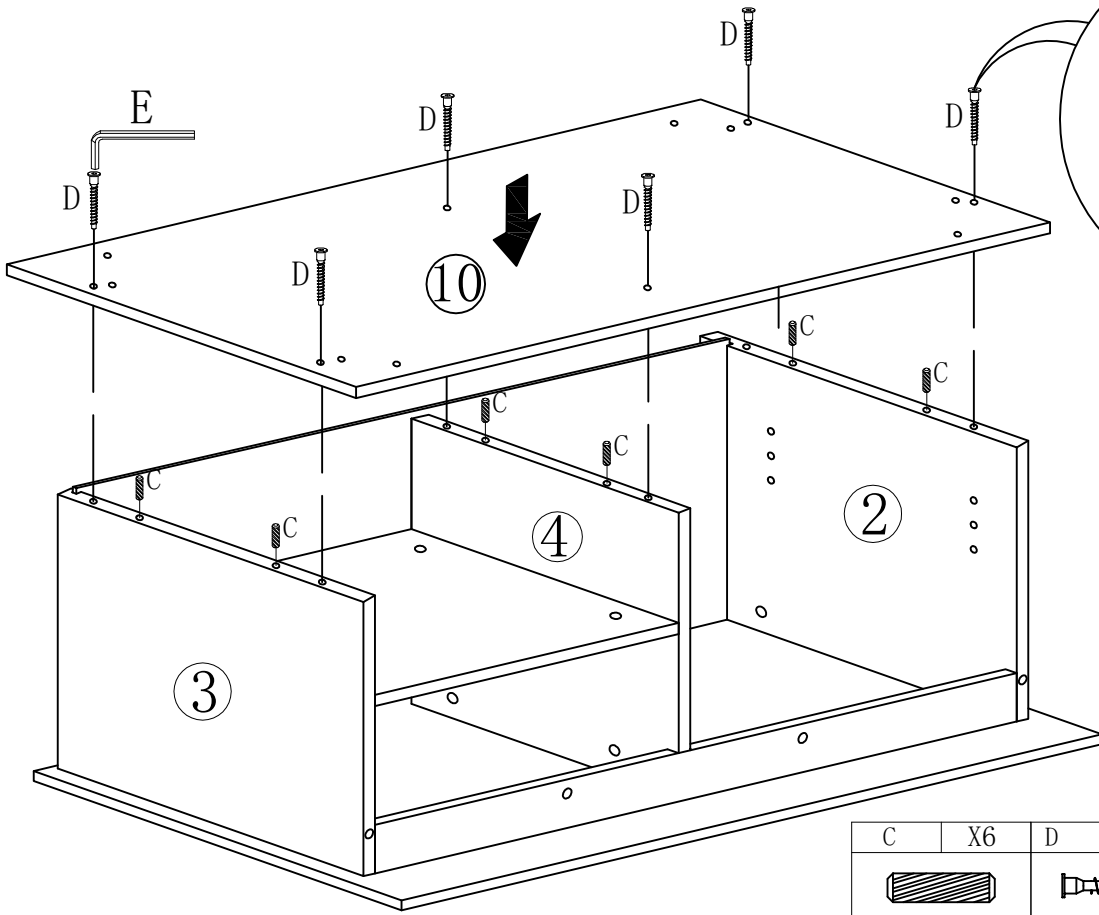


B	X4
	
$\phi 15 \times 12$	



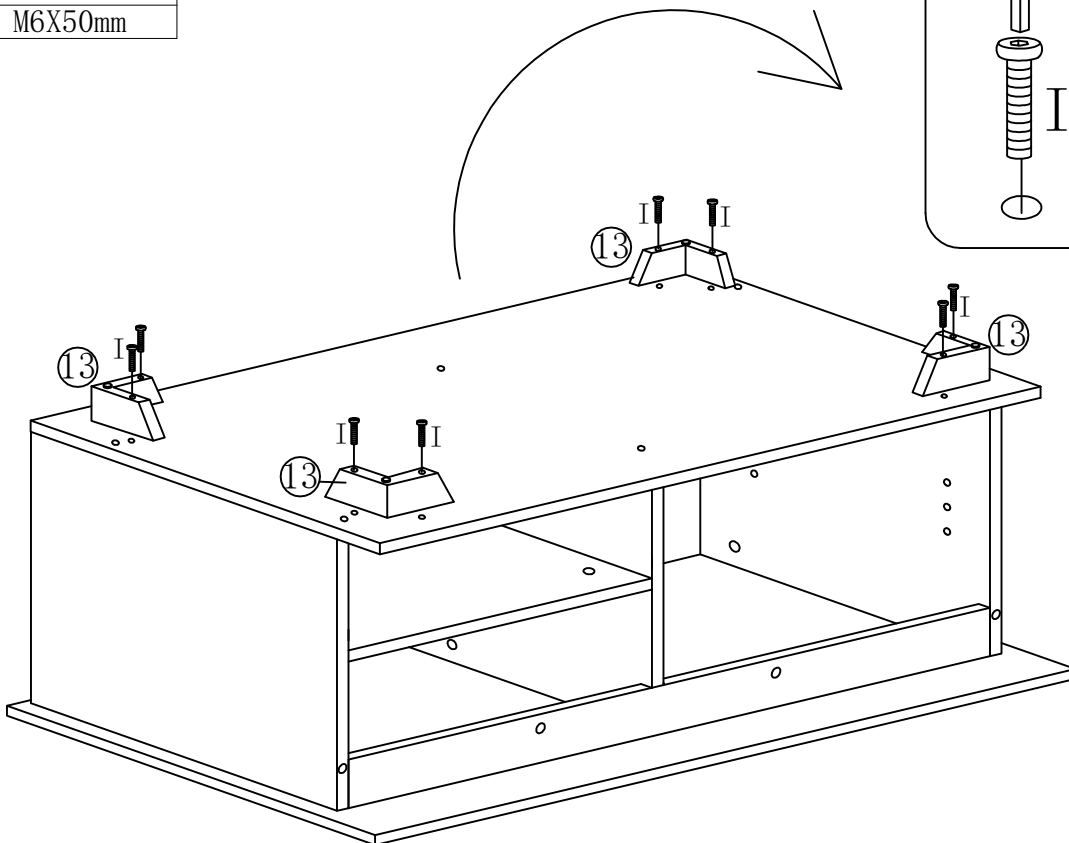
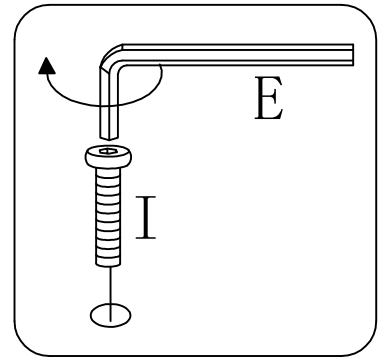
B	X8	C	X8
			
$\phi 15 \times 12$	$\phi 7.8 \times 30$		

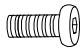
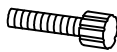




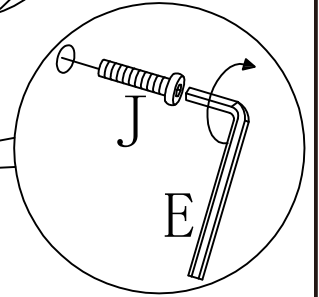
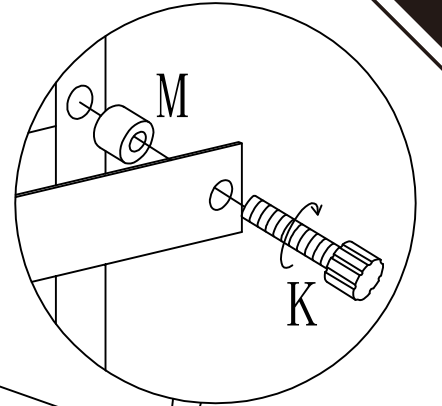
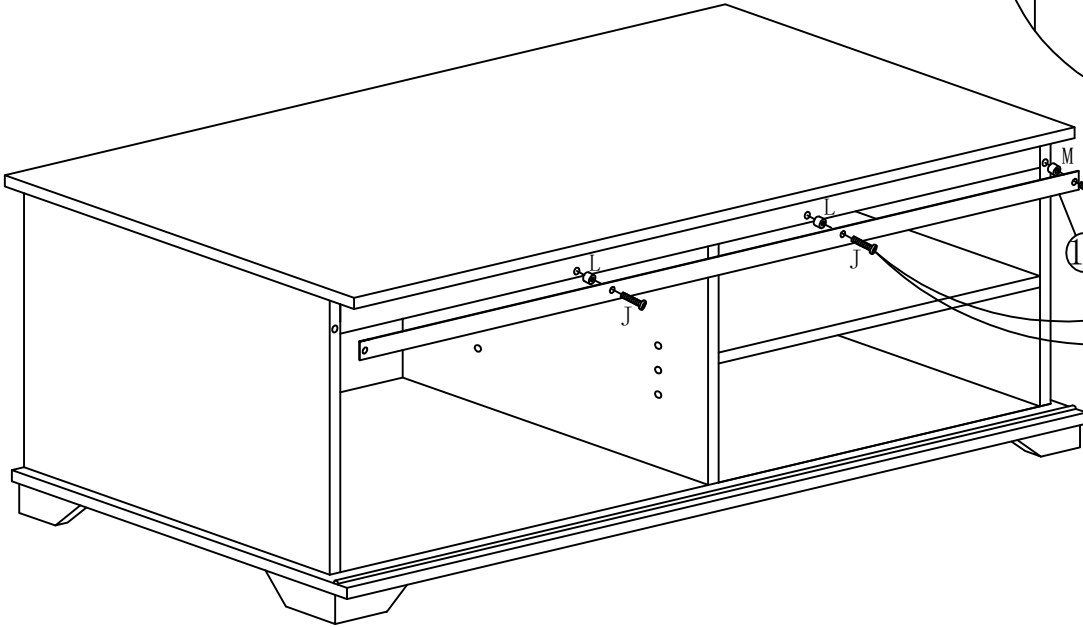



C	X6	D	X6	E	X1
φ 7.8X30		φ 7X47		M4X55	

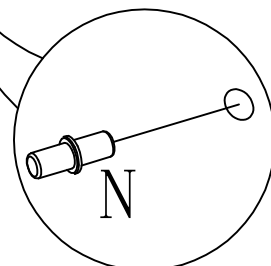
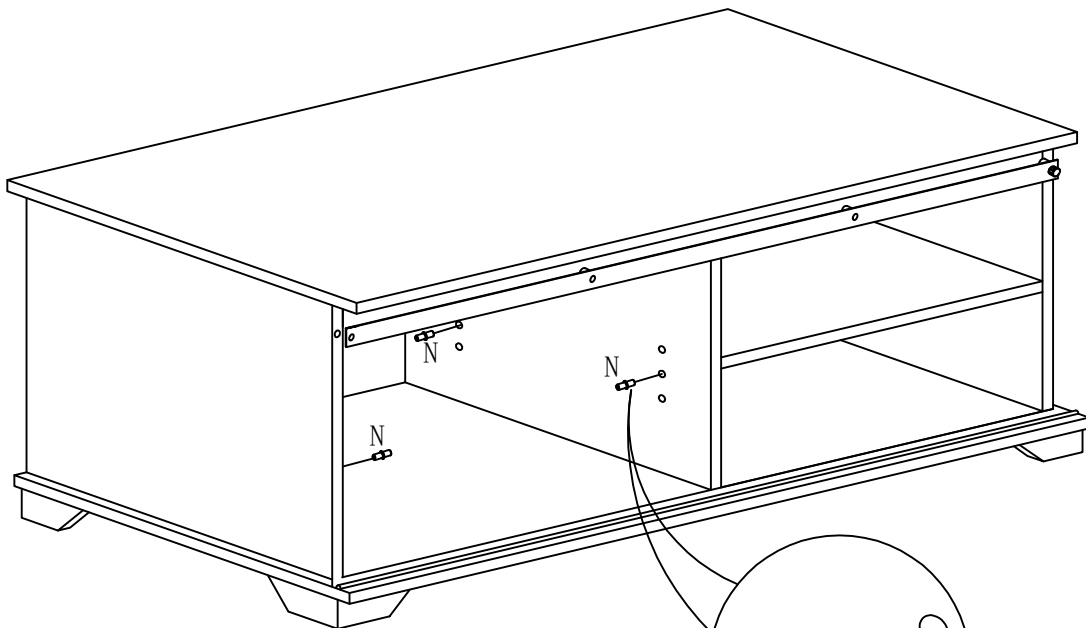
I	X8
M6X50mm	

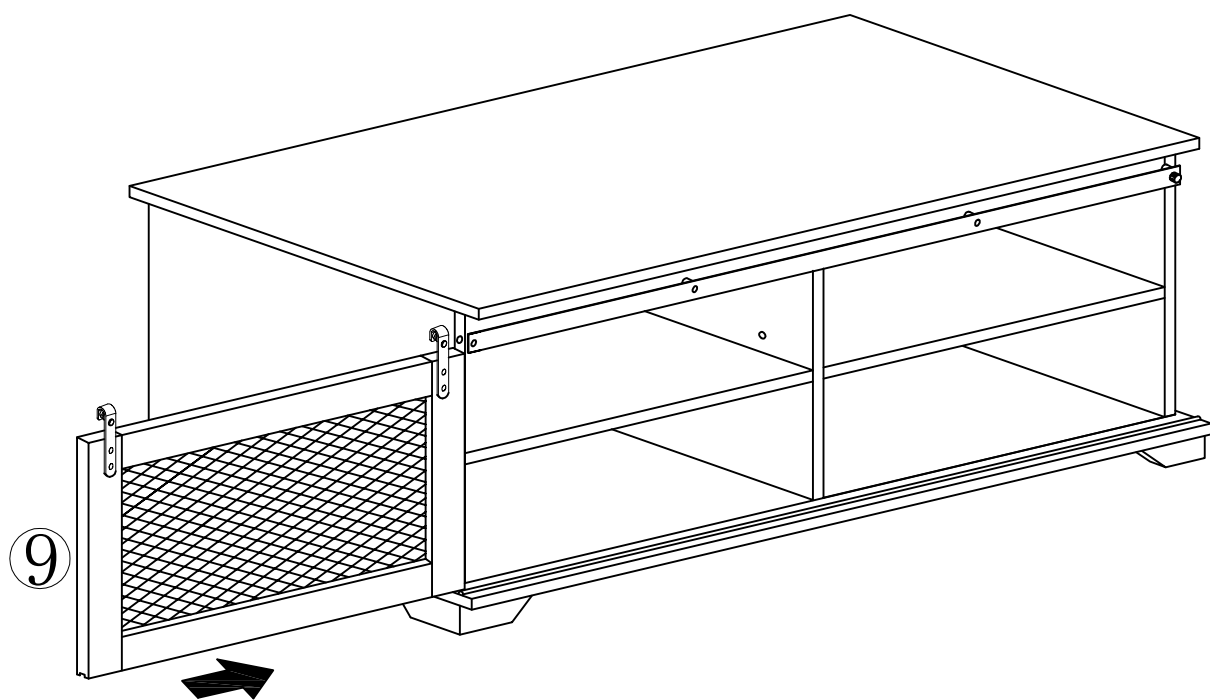
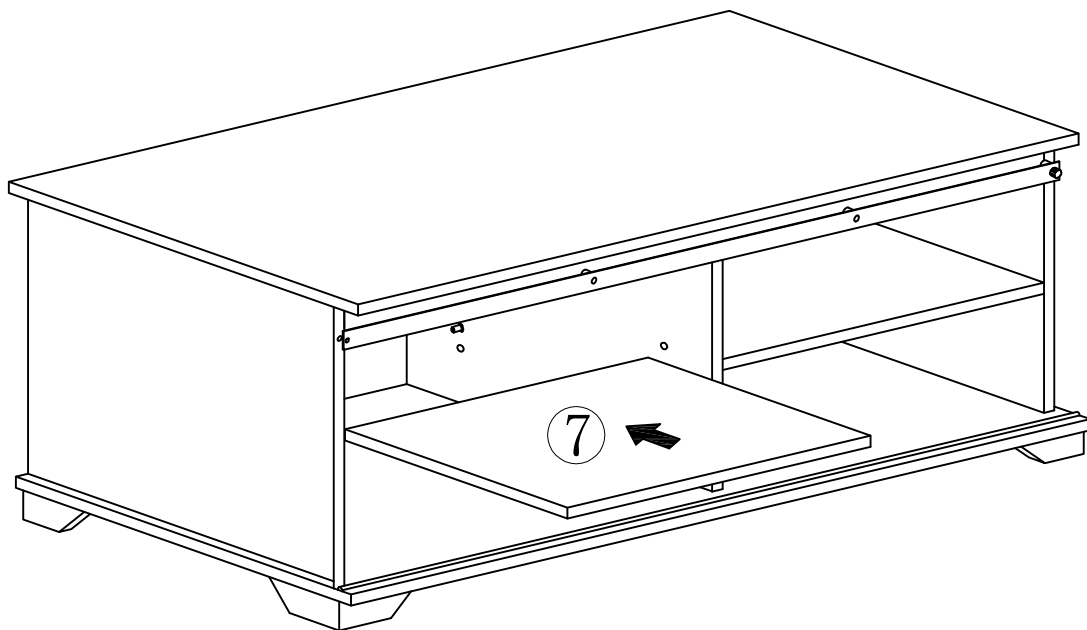


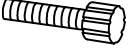

J	X2	K	X1	L	X2	M	X1
							
M6X32mm		M6X41mm		φ 16X19mm		φ 16X10mm	



N	X4
	
φ 5*13	





K	X1	M	X1
			
M6*41mm		φ 16*10mm	

