

A	x16
M6*12mm	

B	x16
M3.5*14mm	

C	x18
Ø8*30mm	

D	x34
M7*50mm	

E	x4

F	x4

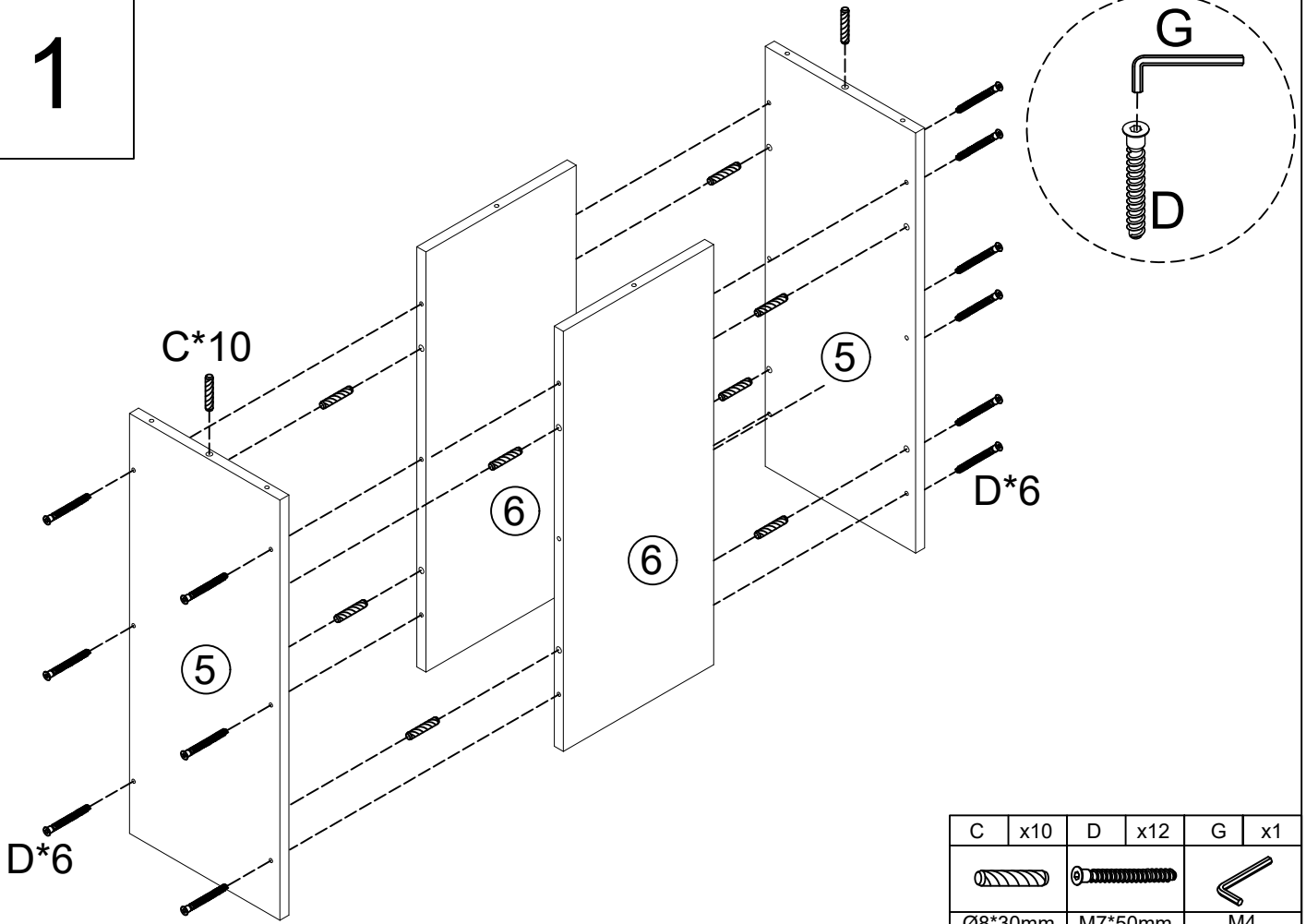
G	x1
M4	

H	x4
M6*35mm	

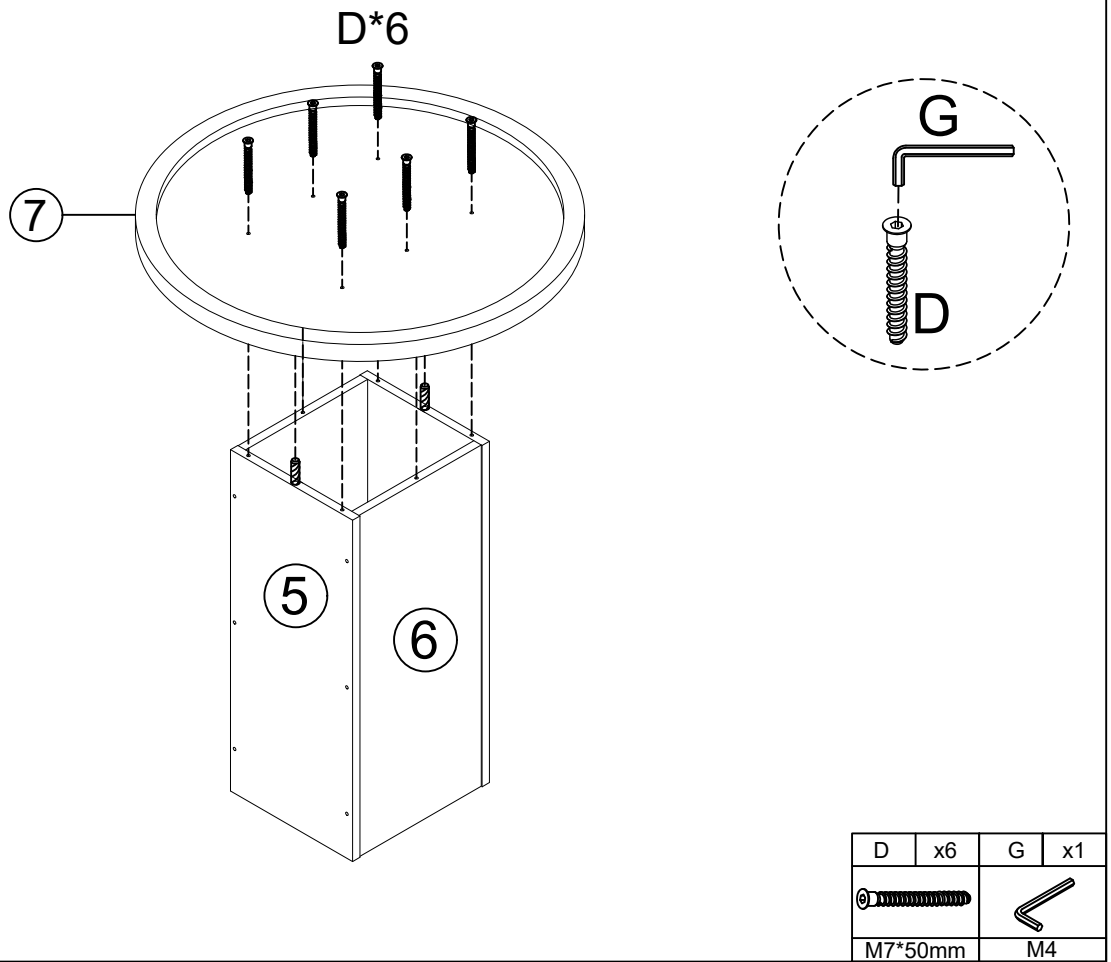
I	x4
Ø15mm	

J	x4

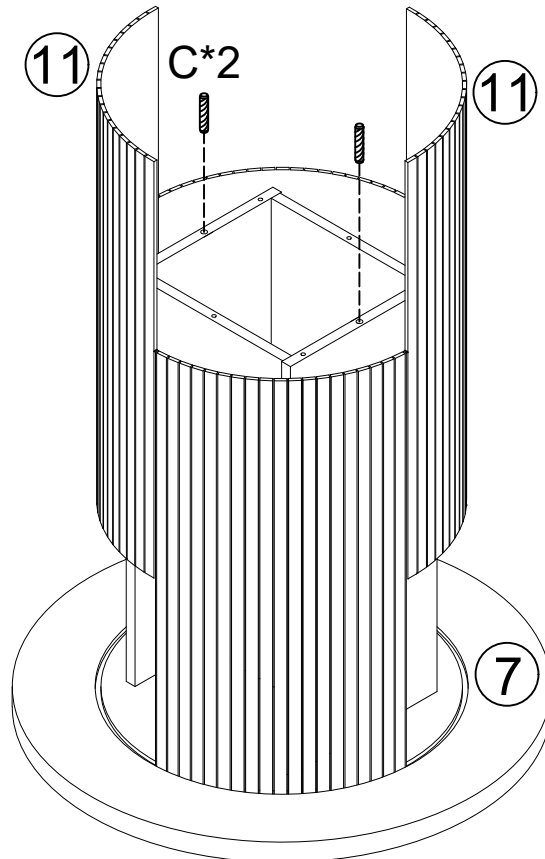
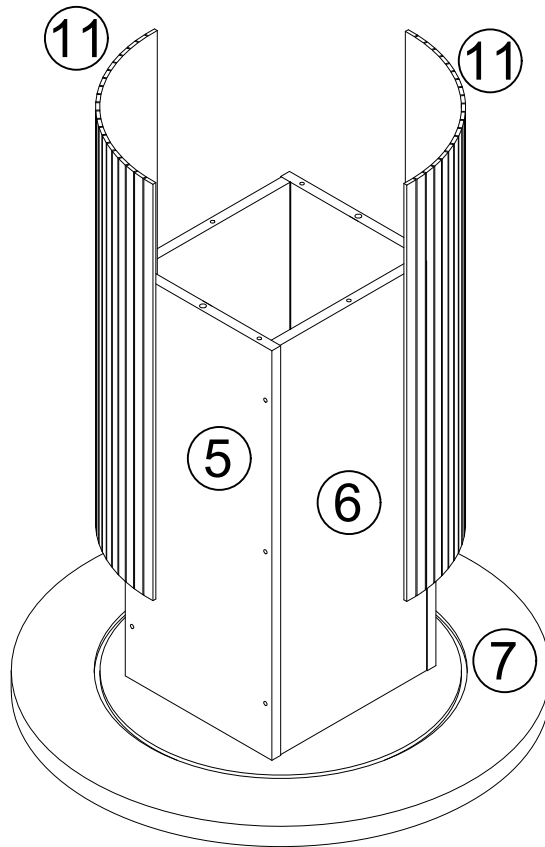
# 1

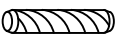


# 2

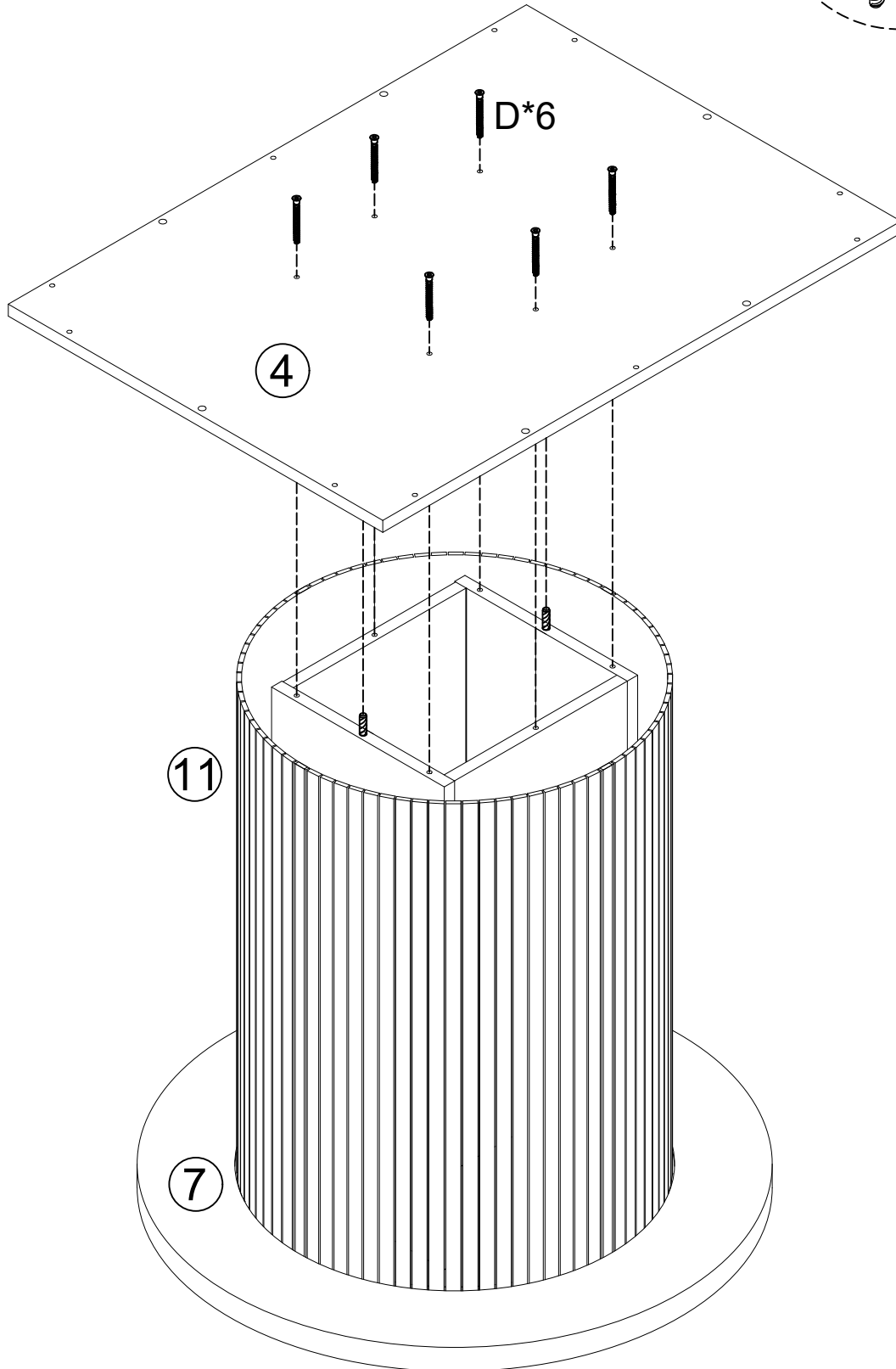
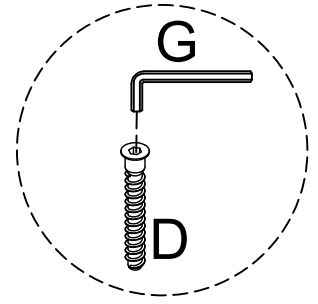




3



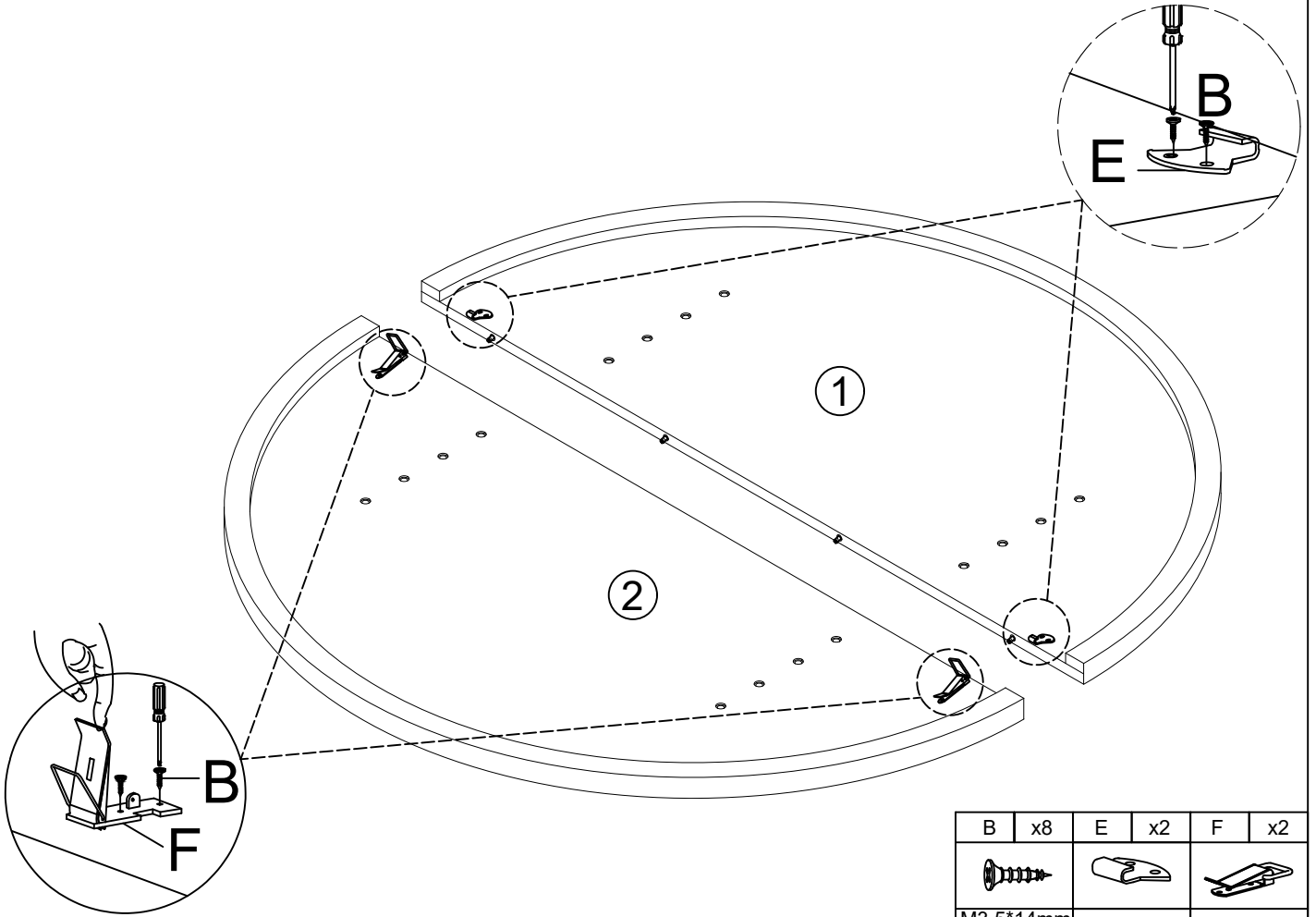
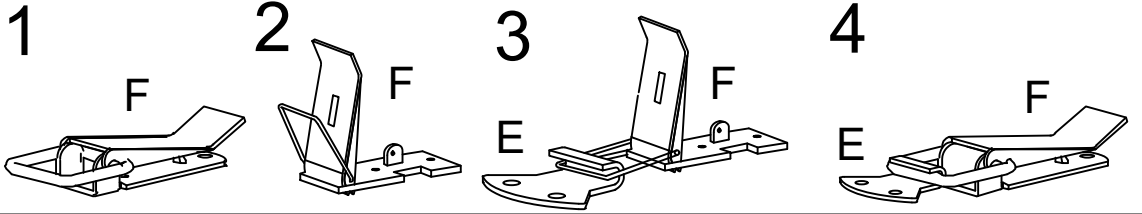
C	x2
	
Ø8*30mm	




4



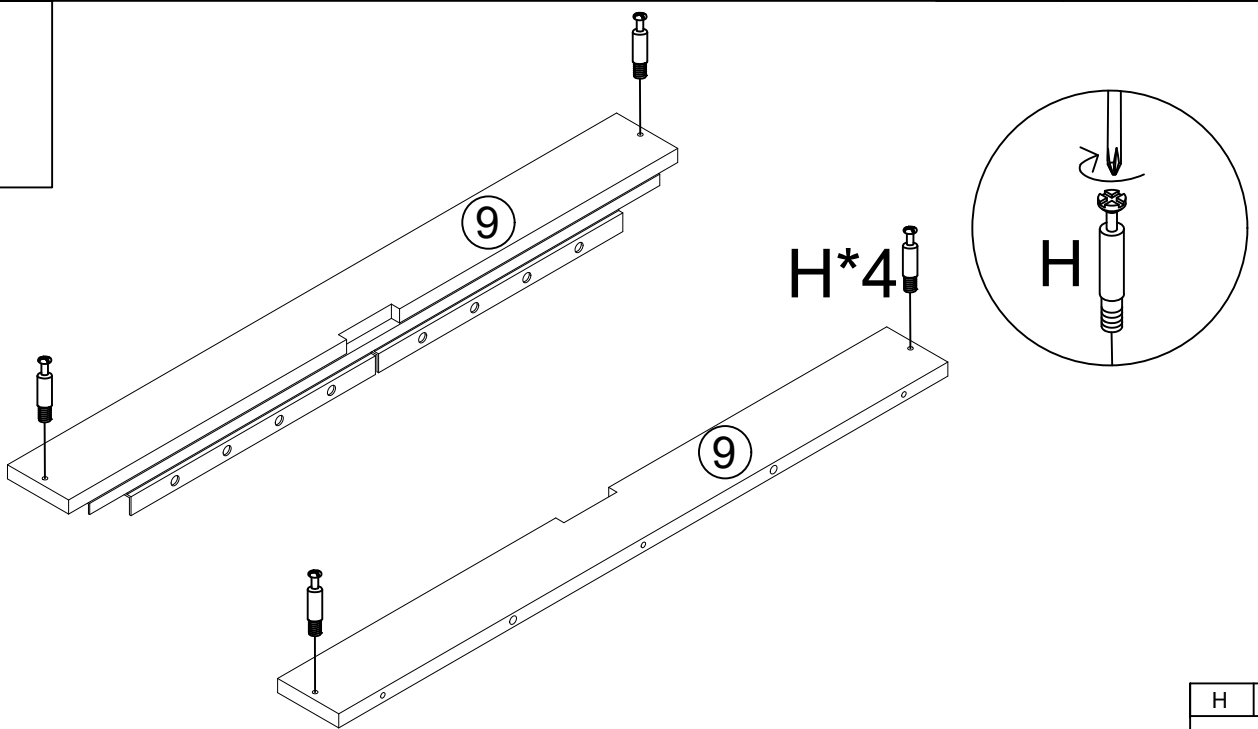
D	x6	G	x1
			
M7*50mm		M4	

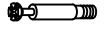
# 5



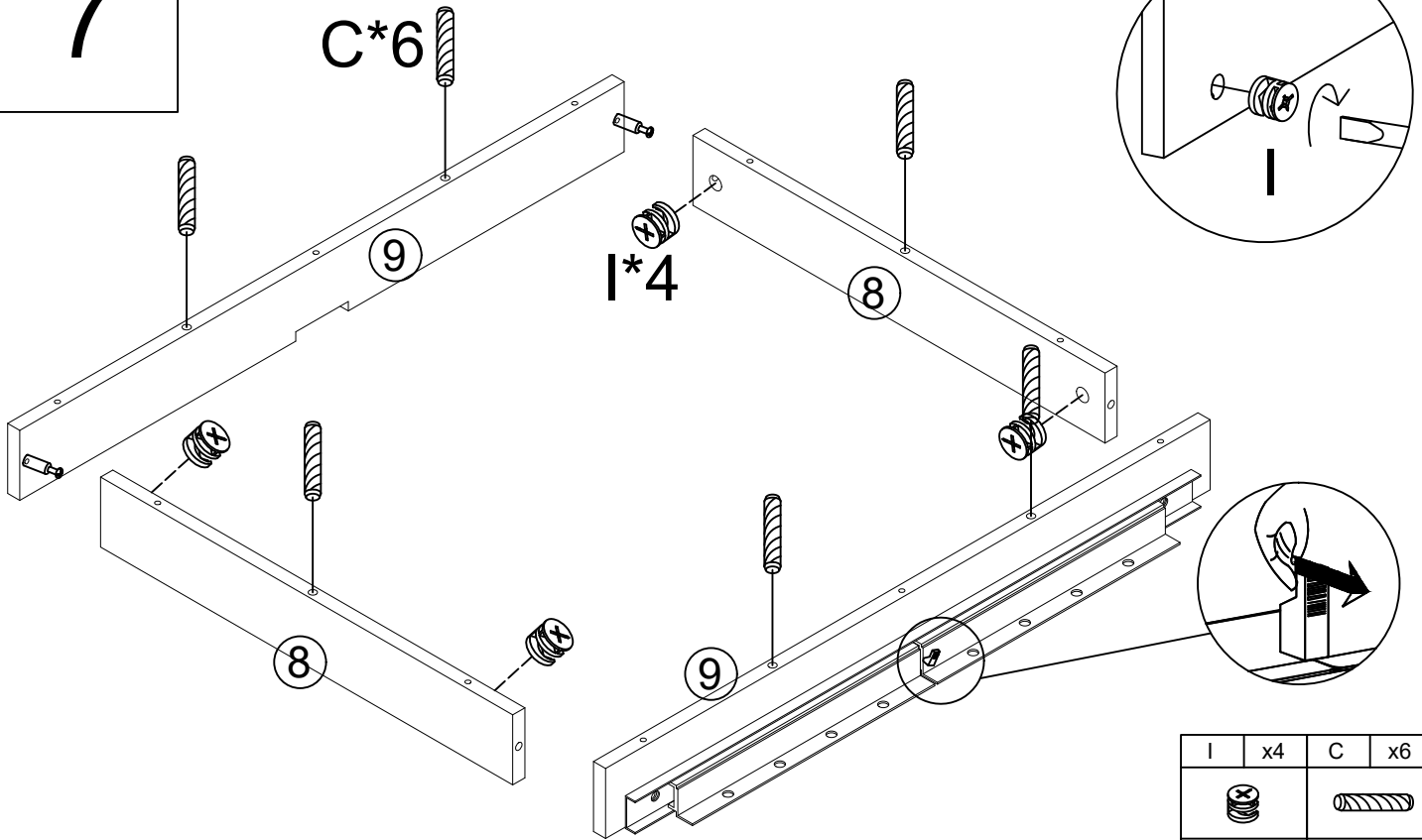
B	x8	E	x2	F	x2
					
M3.5*14mm					

# 6



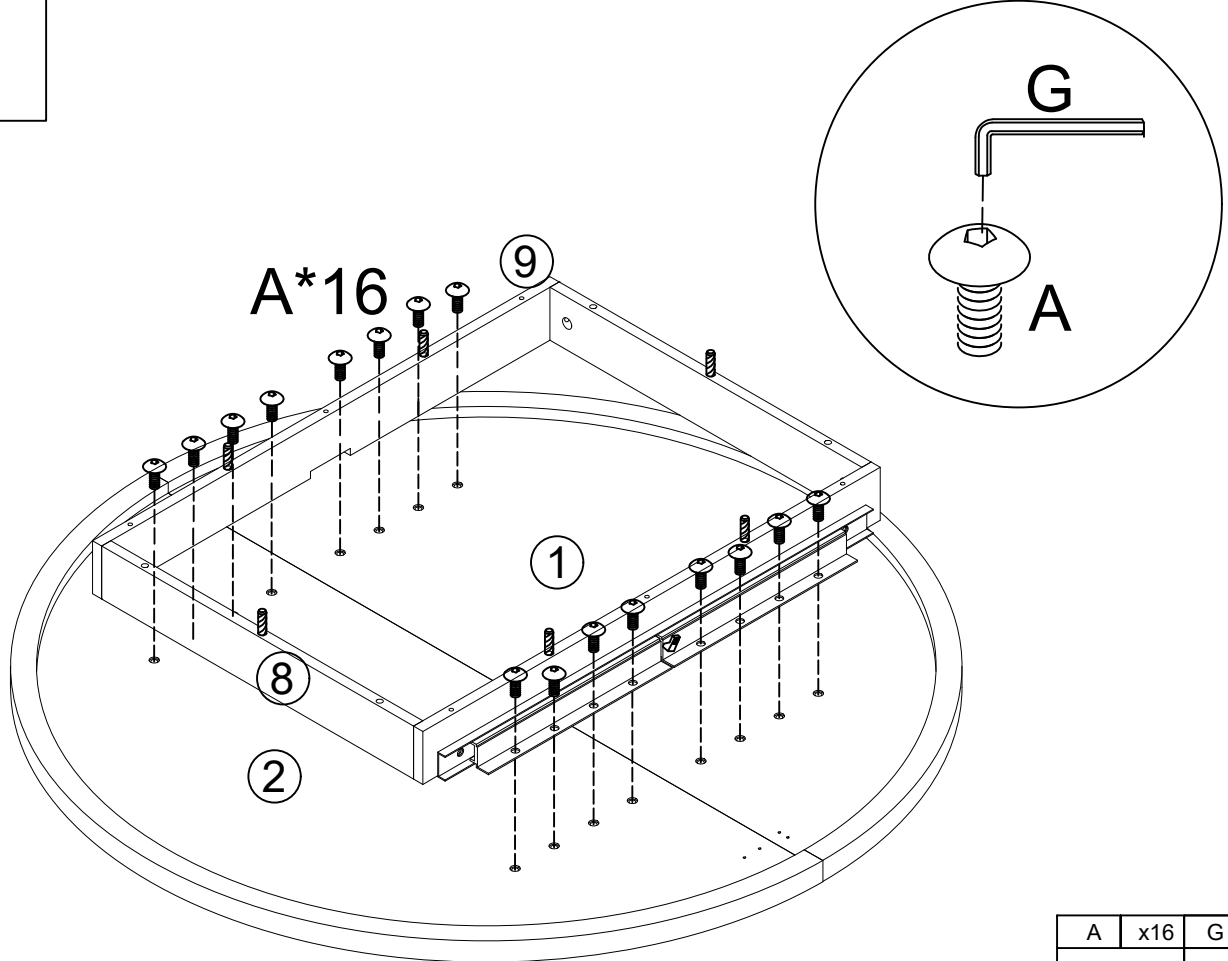
H	x4
	
M6*35mm	

# 7



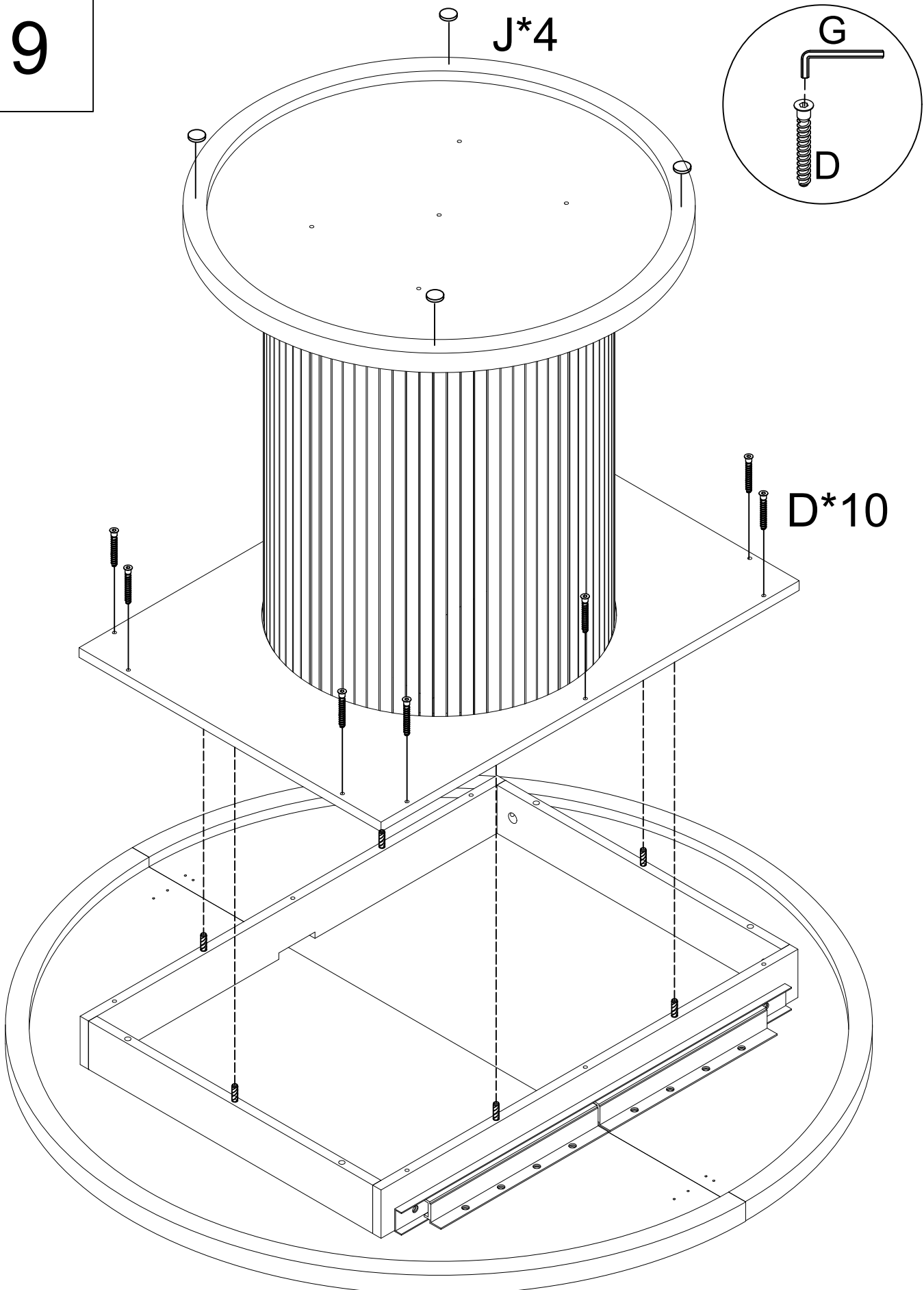
I	x4	C	x6
Ø15mm		Ø8*30mm	




# 8



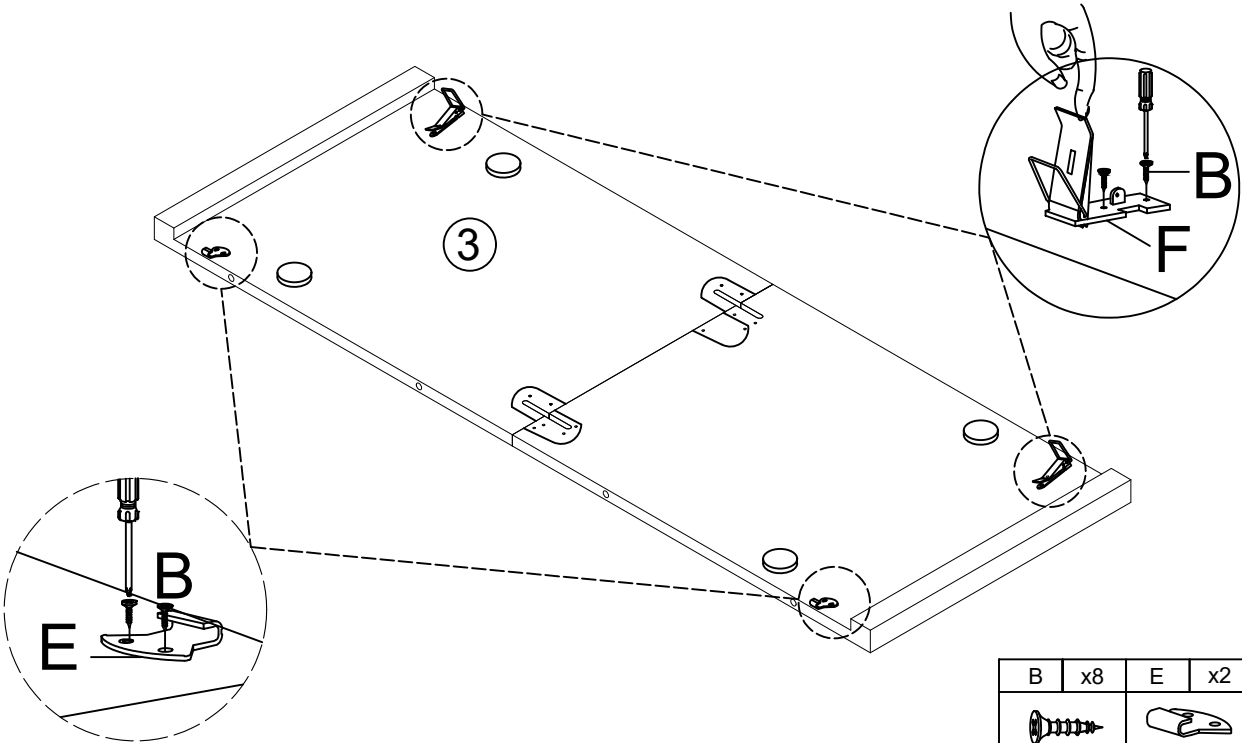
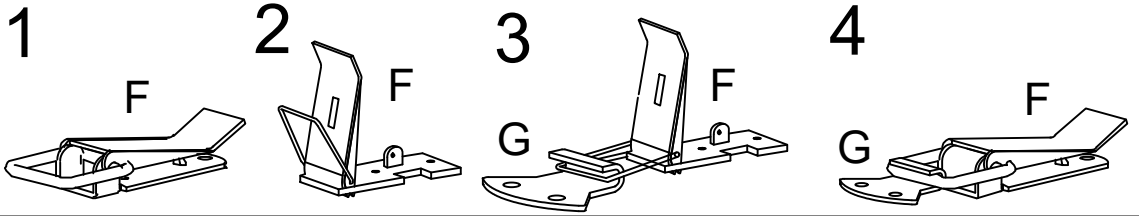
A	x16	G	x1
M6*12mm		M4	




9



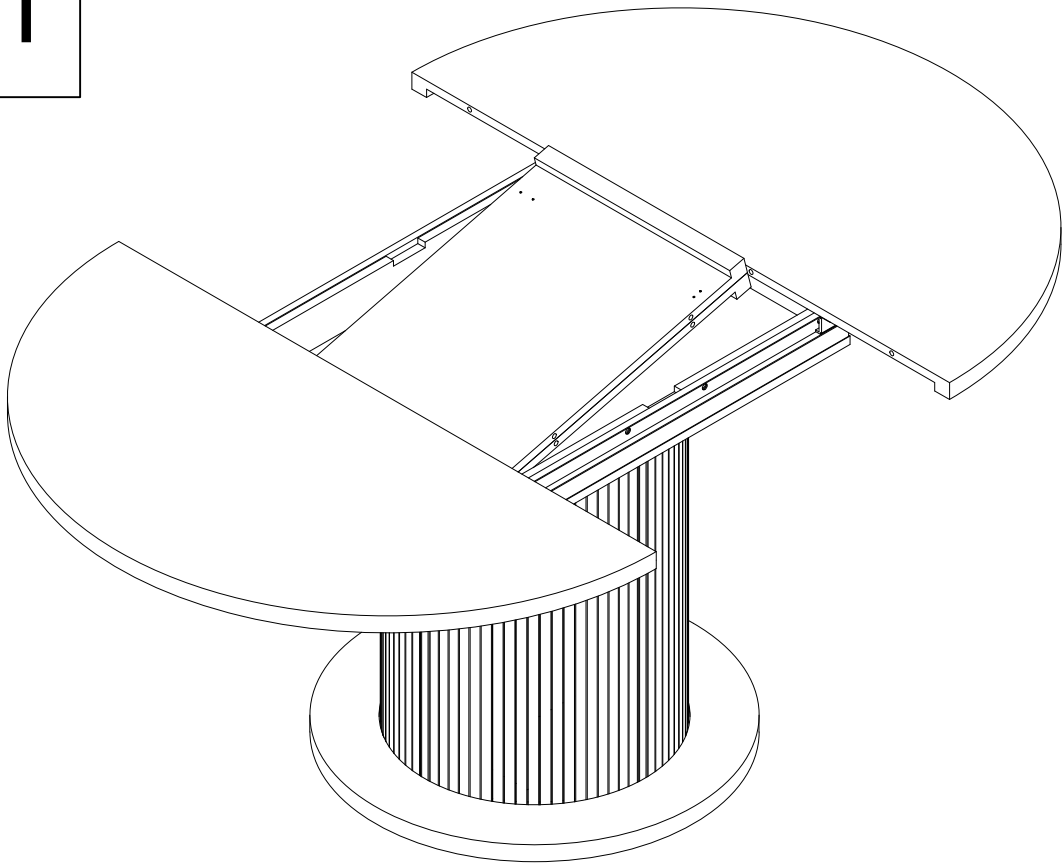
J	x4	D	x10	G	x1
					
		M7*50mm		M4	

# 10

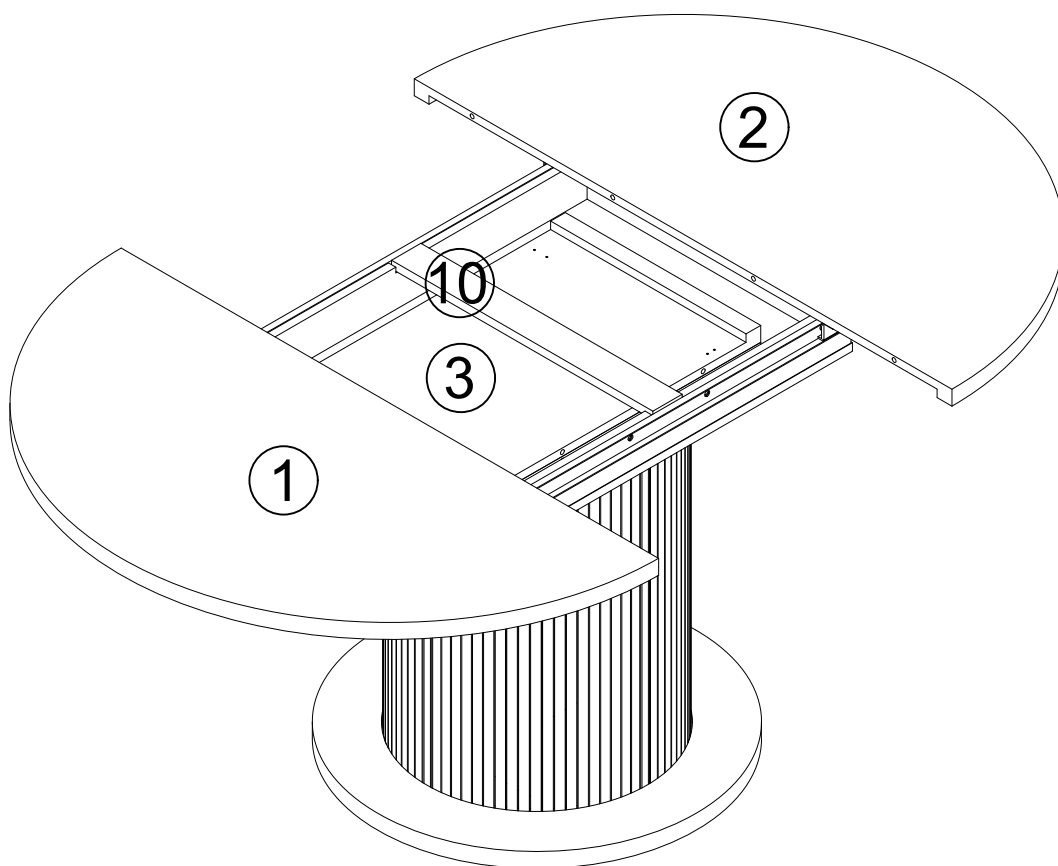


B	x8	E	x2	F	x2
					
M3.5*14mm					

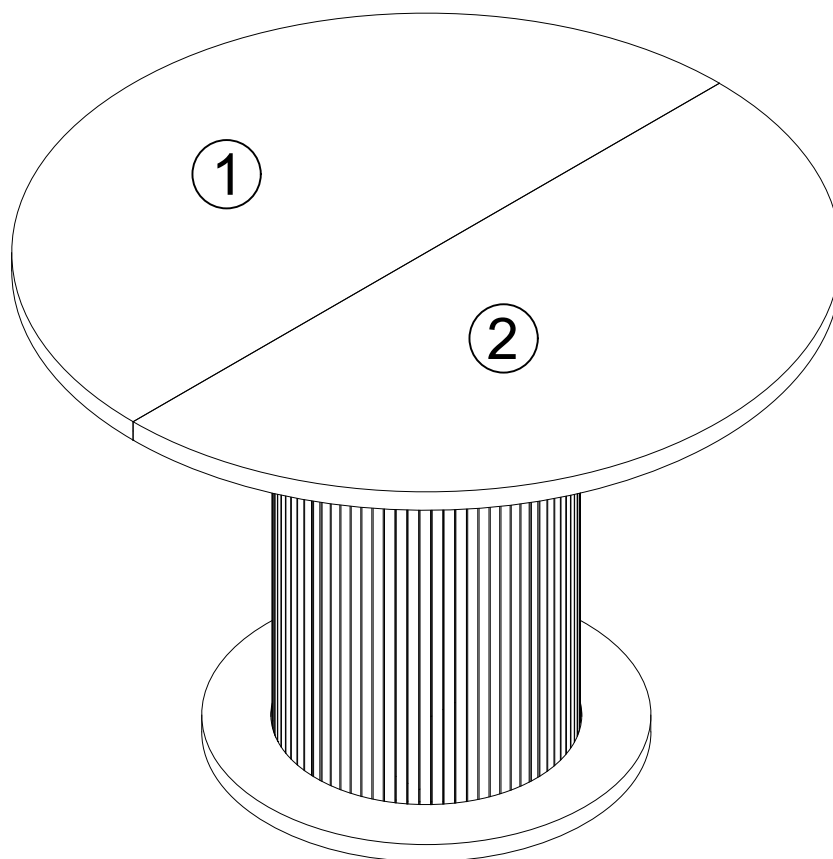
# 11



12



13



14

