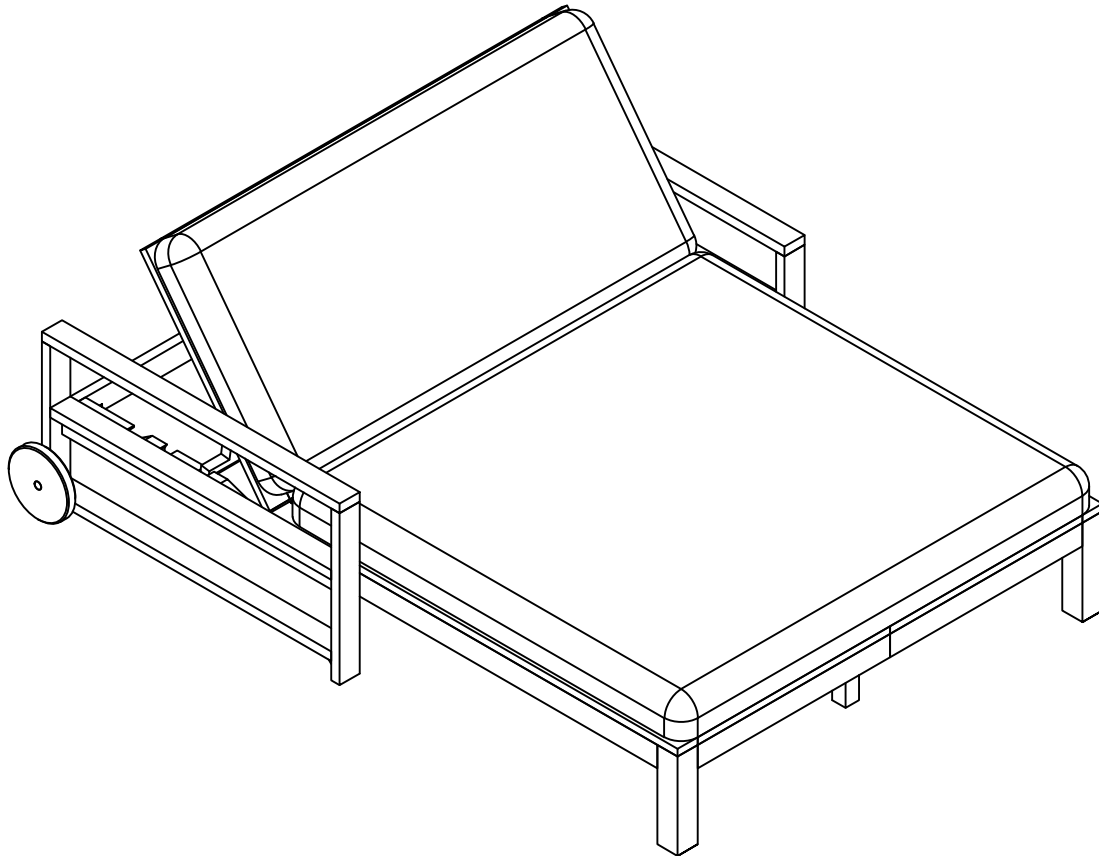


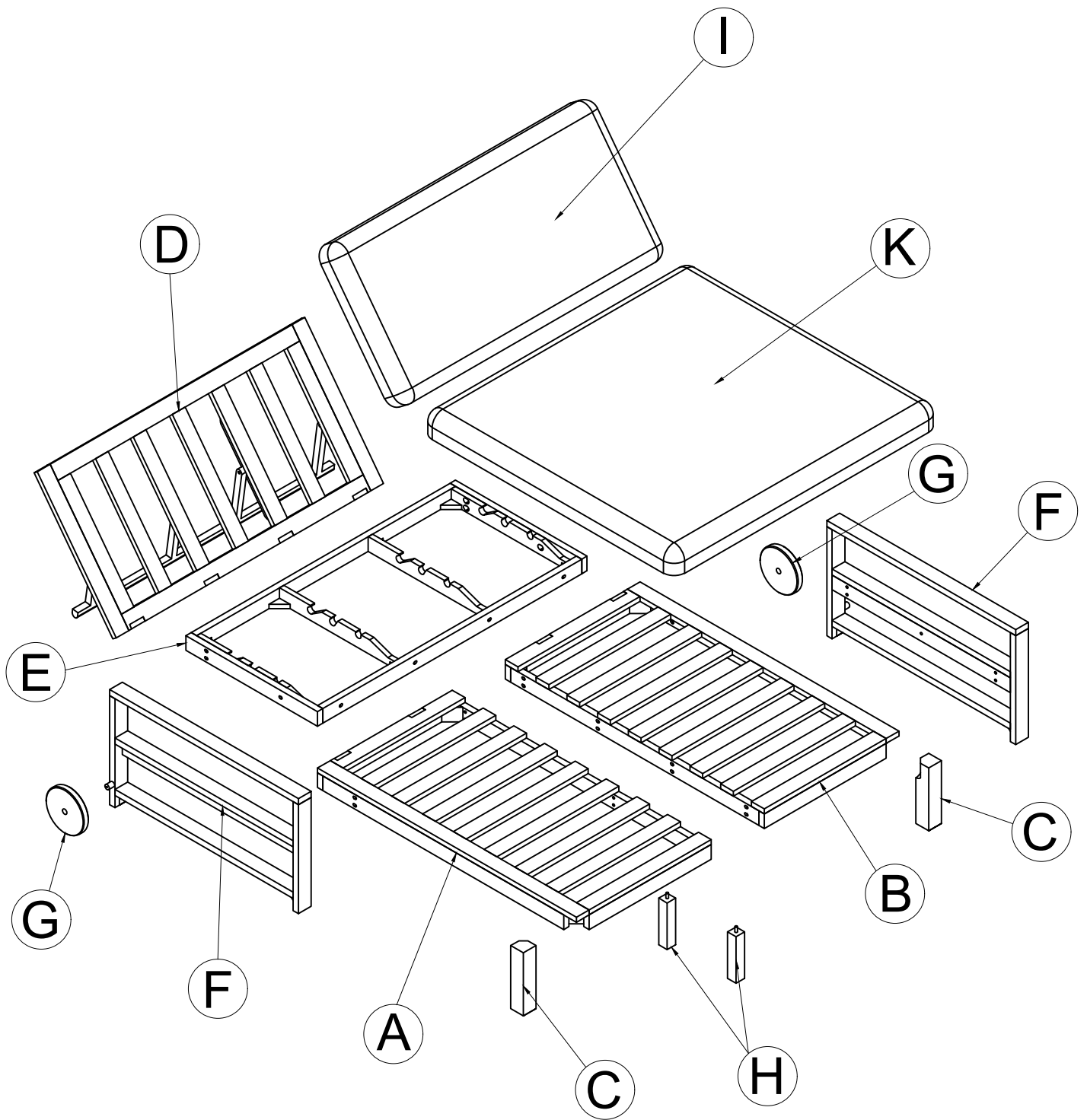
ASSEMBLY INSTRUCTION

OUTDOOR SUNBED



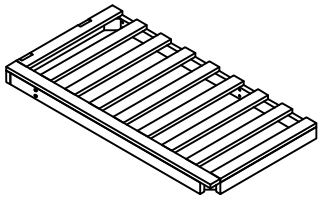
Please read all instructions carefully:

- 1. Have 2 adults on hand for assembly.**
- 2. 50% Tighten before fixing all screws, Allen wrench is recommended instead of an electric drill.**
- 3. Place the item on a flat ground to adjust and make sure it remains stable.**
- 4. Tighten up all screws with tools gradually.**
- 5. If the screws are not aligned with holes during assembly, please loosen all the other screws to 50% and continue the assembly process.**
- 6. If the item is not stable, please loosen all the screws, adjust it on a flat ground and tighten up all screws again.**
- 7. Note : If one or some screws are fully tightened during assembly, chances are the others will not be aligned with holes. In addition, all the holes are designed to be relatively larger to provide more space for the adjustment of the screws.**



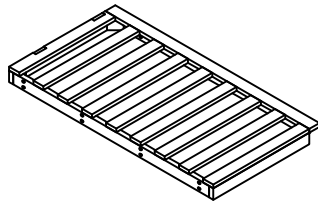
Part List :

A



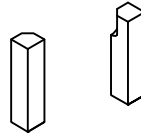
Sun Lounger Left (1 pc)

B



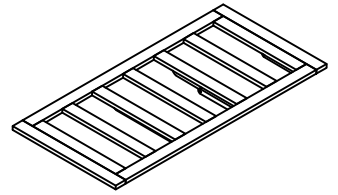
Sun Lounger Right (1 pc)

C



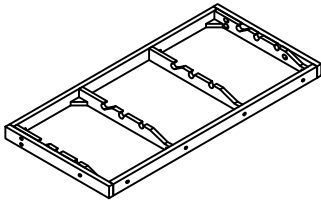
Leg (2 pcs)

D



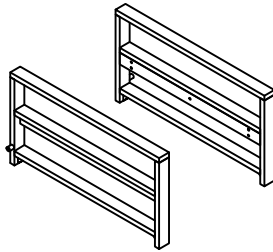
Backrest Frame (1 pc)

E



Back Frame (1 pc)

F



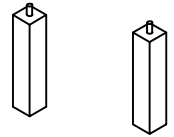
Arm Left & Right (2 pcs)

G



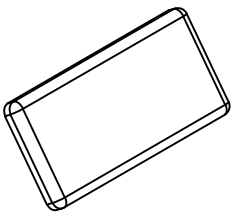
Wooden Wheels (2 pcs)

H



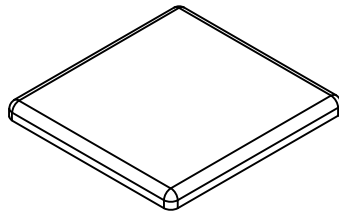
Leg Support (2 pcs)

I



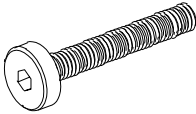

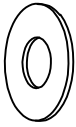
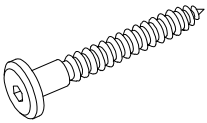


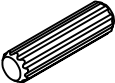
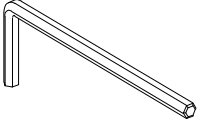
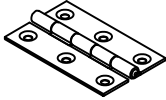

Back Cushion (1 pc)

K



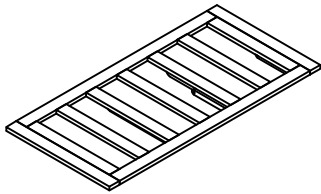
Seat Cushion (1 pc)

Hardware list:

1  Extra (2 pcs) Bolt M6x45 (26 pcs)	2  Extra (2 pcs) Warp Washer M6 (26 pcs)	3  Extra (2 pcs) Flat Washer M6 (26 pcs)	4  Screw Bolt M6x50 (2 pcs)
5  Flat Washer M6/Ø25 (2 pcs)	6  Plastic Washer (2 pcs)	7  Wooden Dowels M8x40 (2 pcs)	8  Allen Key (1 pc)
9  Hinges (4 pcs)	10  Extra (2 pcs) Screw M3.5x15 (24 pcs)		

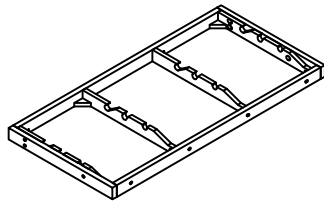
CARTON CONTENT:

D



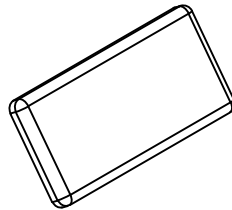
Backrest Frame (1 pc)

E



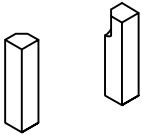
Back Frame (1 pc)

I



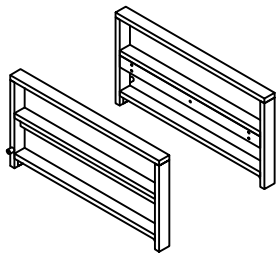
Back Cushion (1 pc)

C



Leg (2 pcs)

F



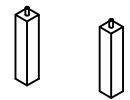
Arm Left & Right (2 pcs)

G



Wooden Wheels (2 pcs)

H

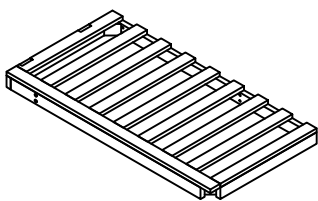


Leg Support (2 pcs)



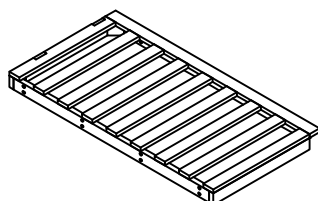
Hardware

A

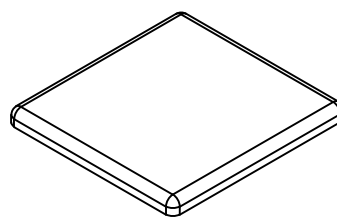


Sun Lounger Left (1 pc)

B

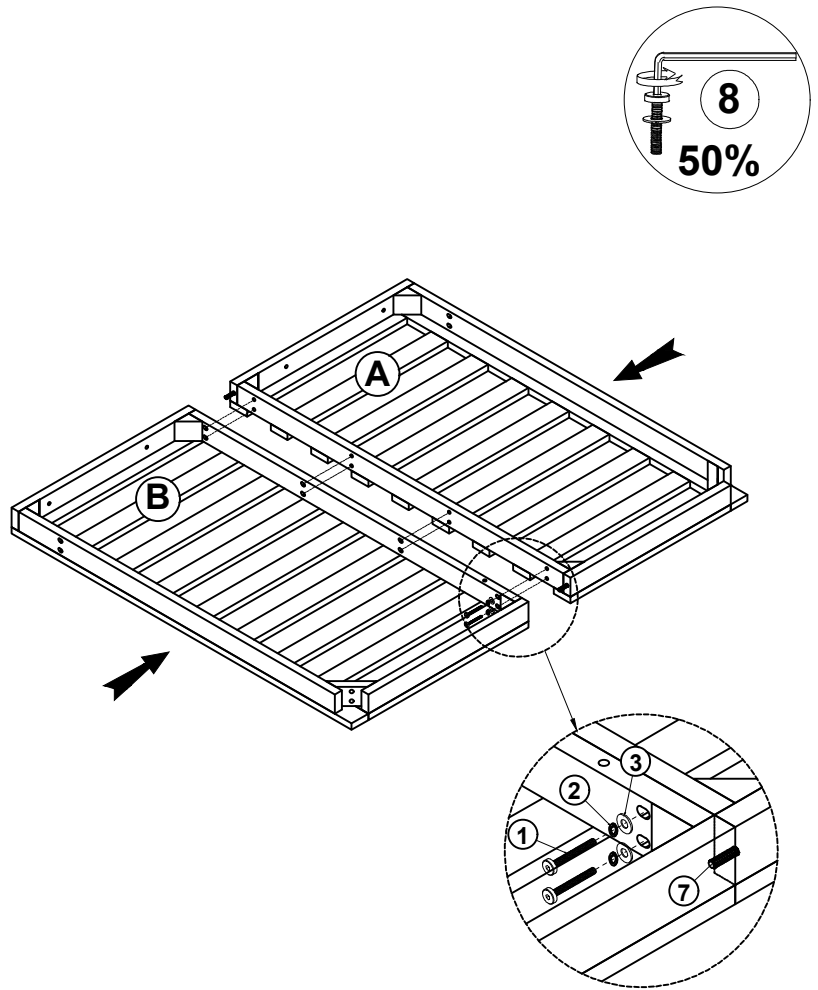
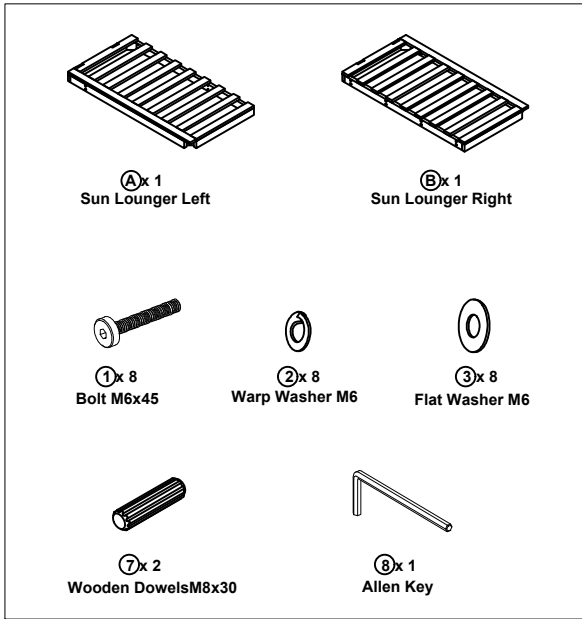


Sun Lounger Right (1 pc)

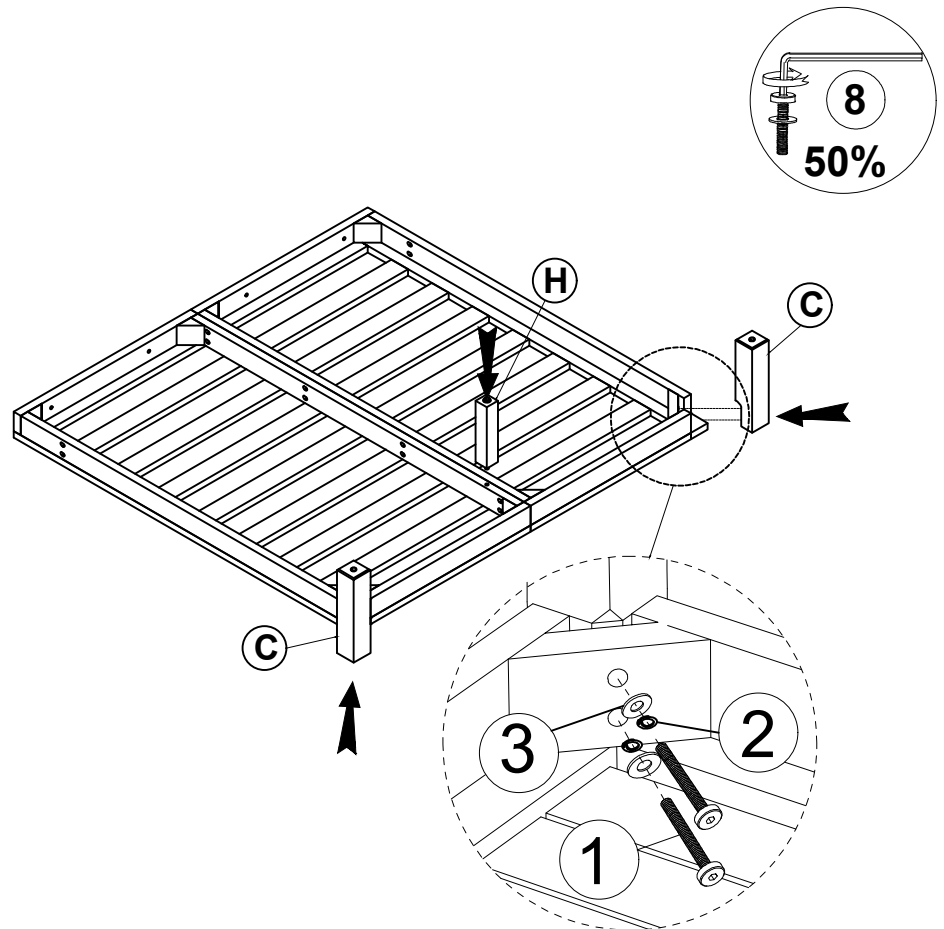
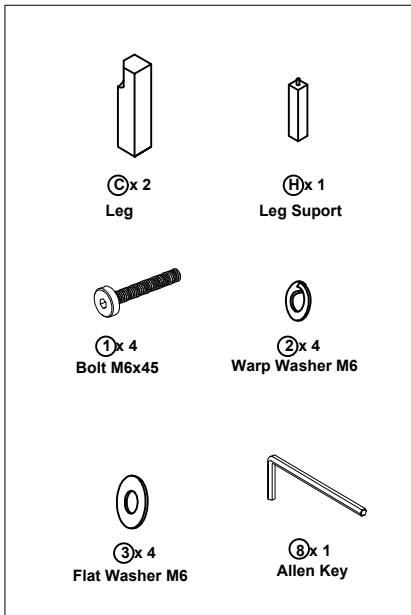


Seat Cushion (1 pc)

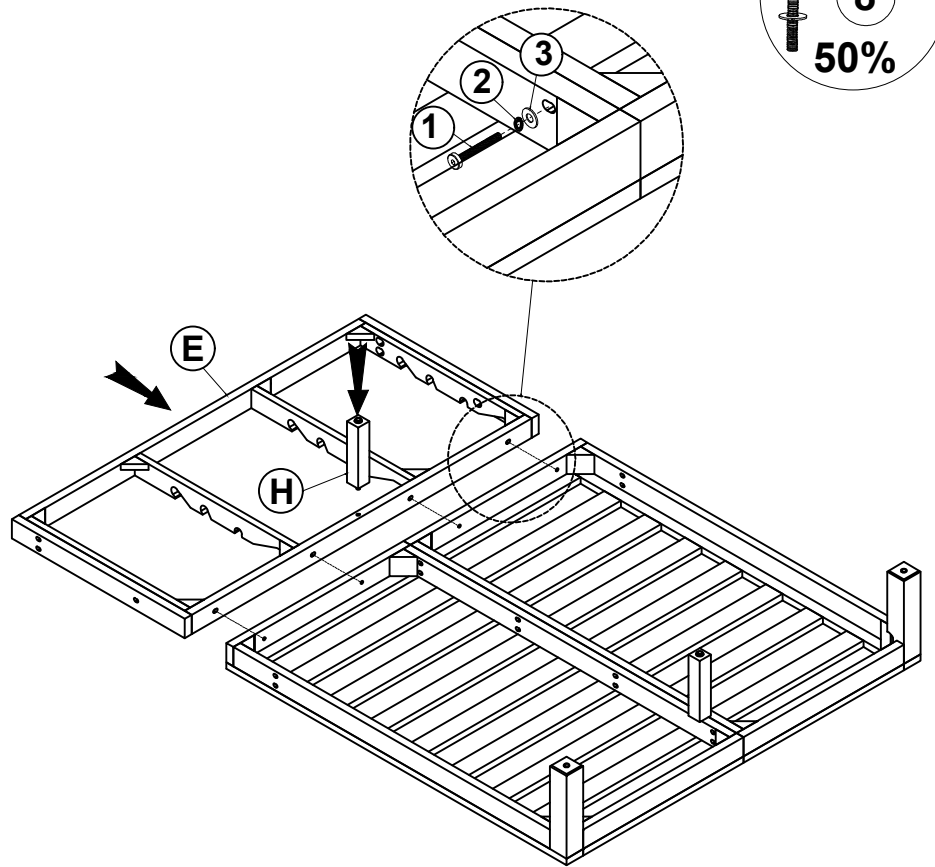
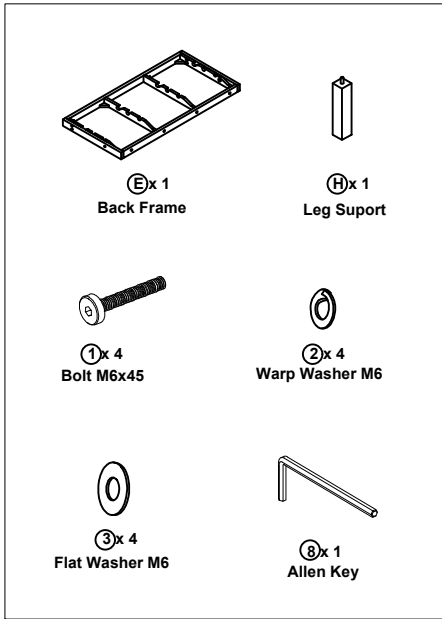
STEP 1



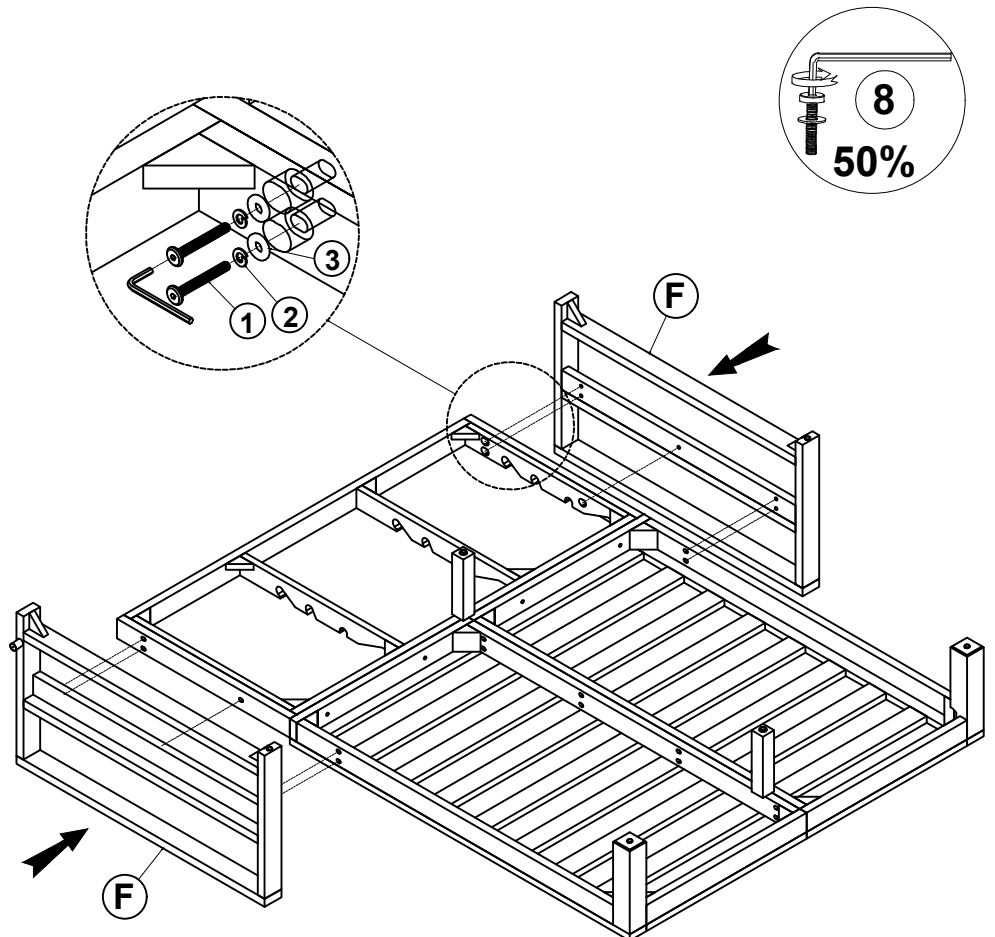
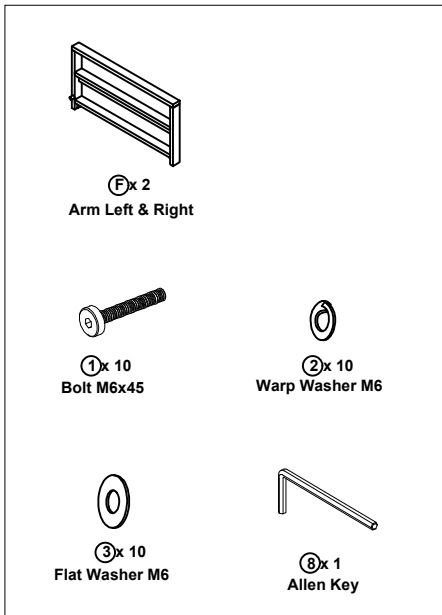
STEP 2



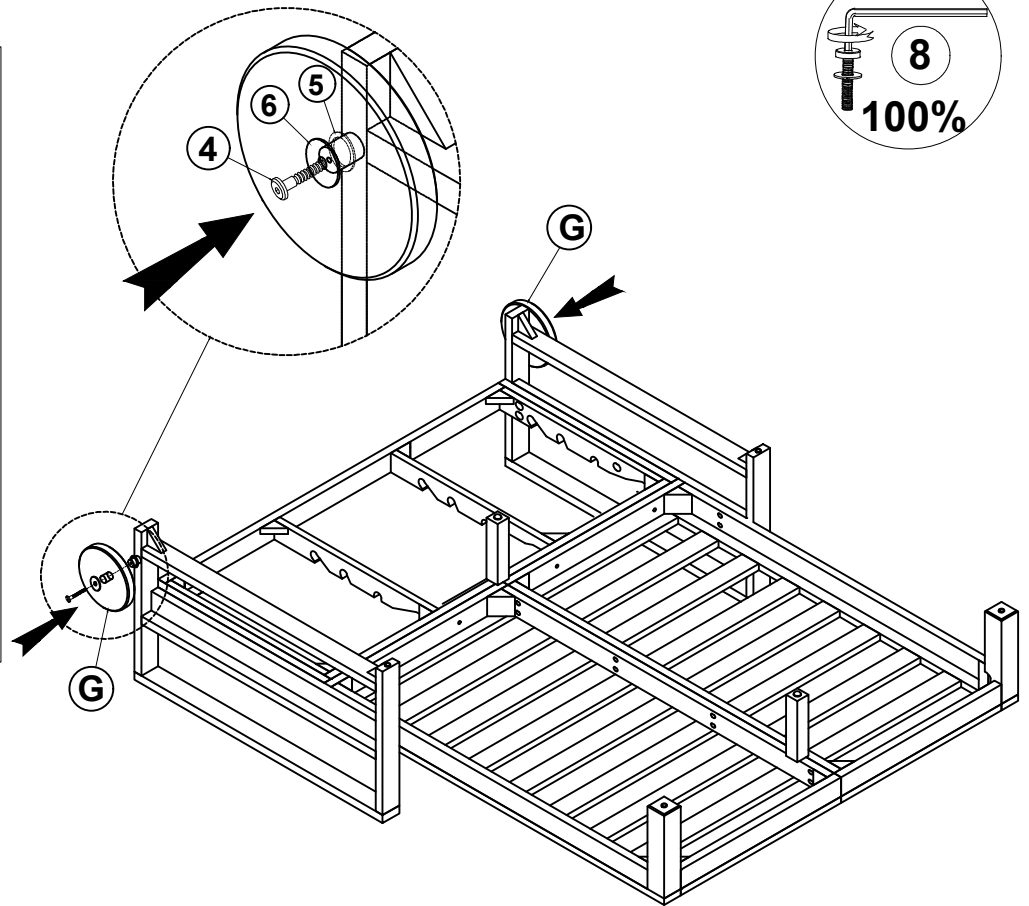
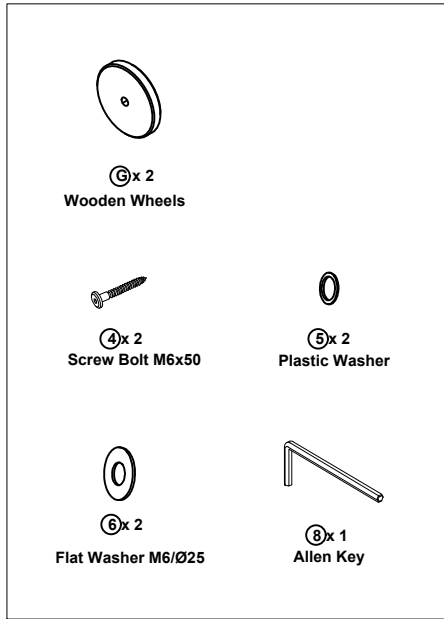
STEP 3



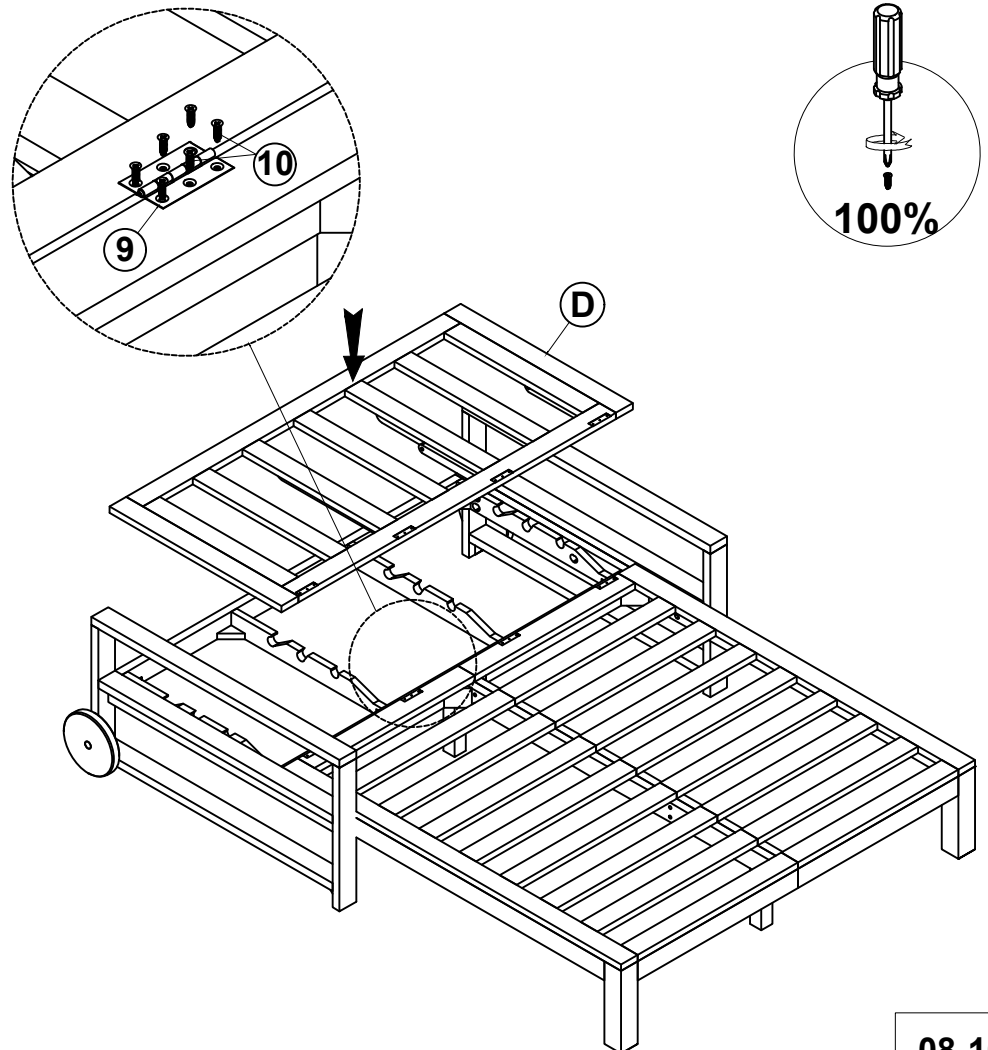
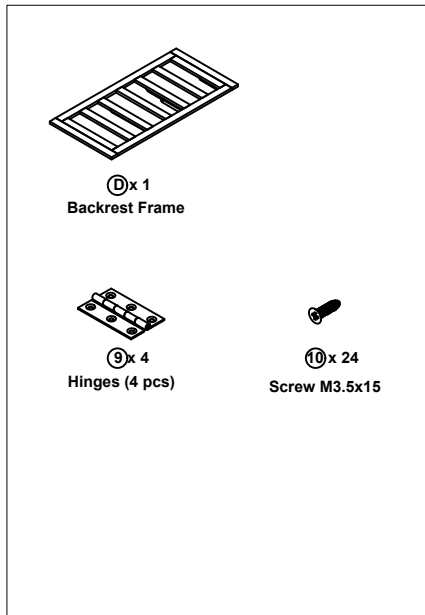
STEP 4



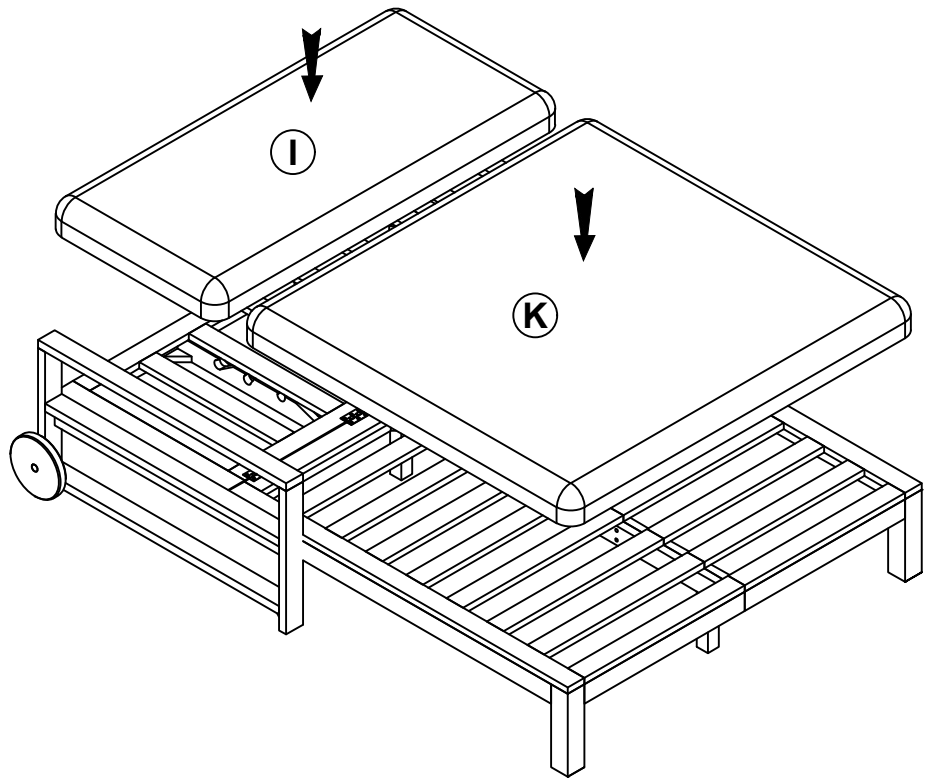
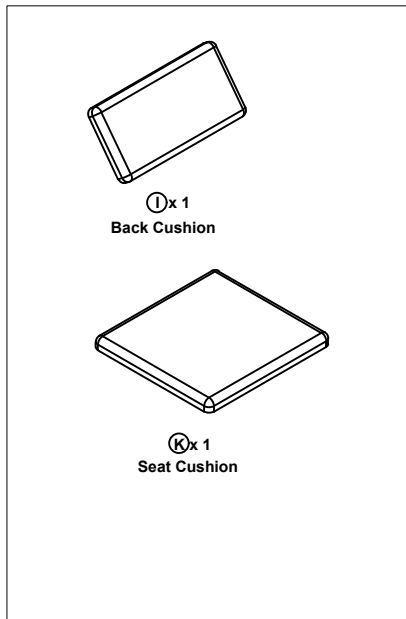
STEP 5



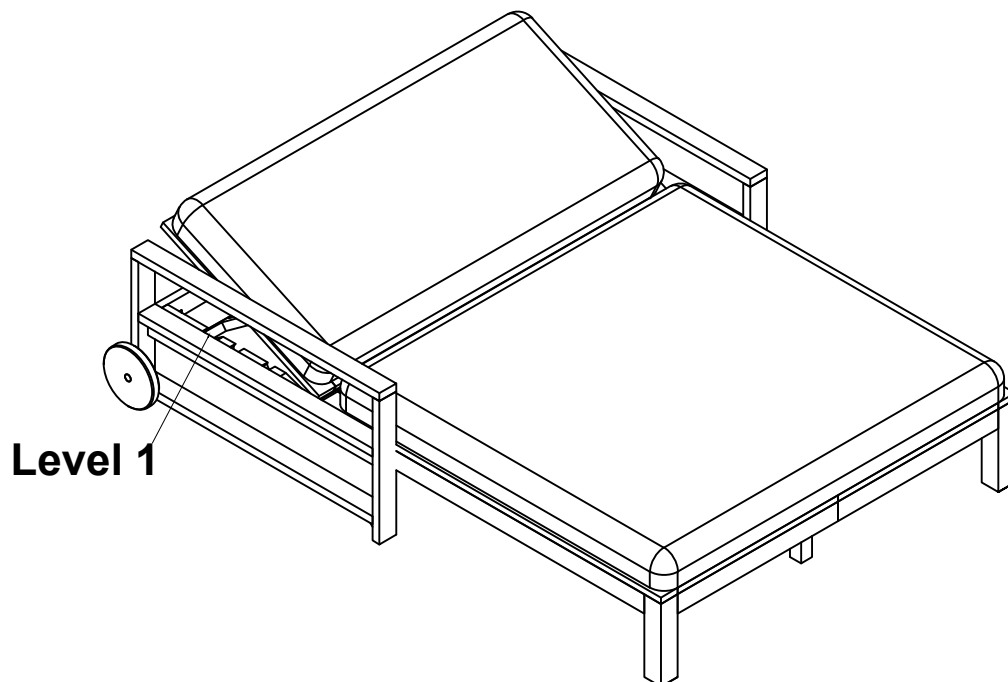
STEP 6

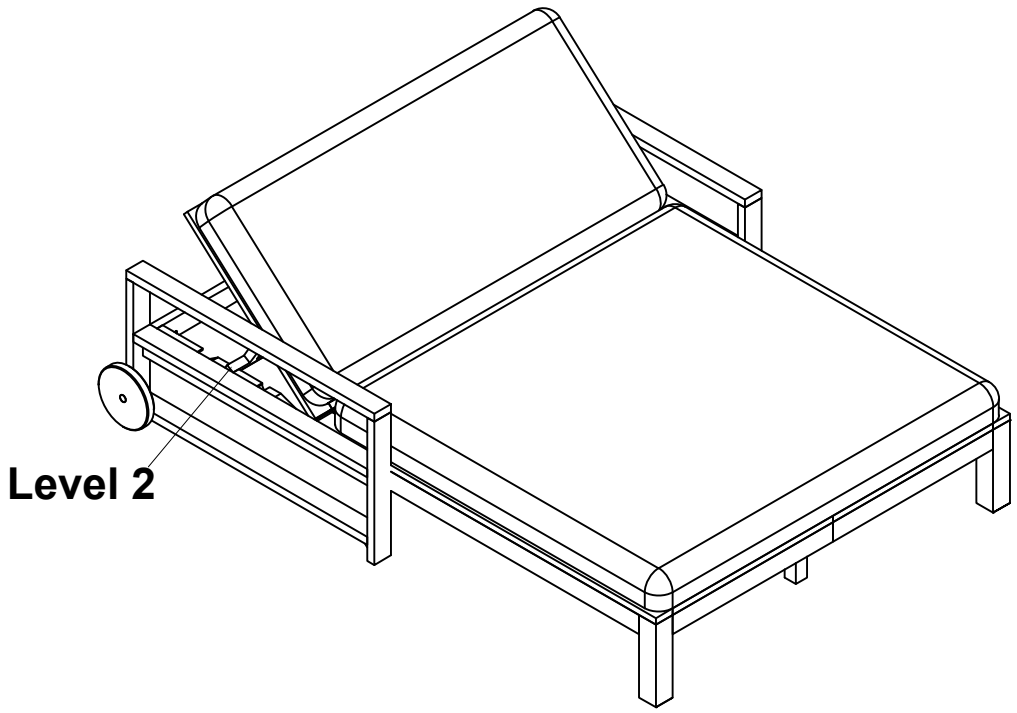


STEP 7

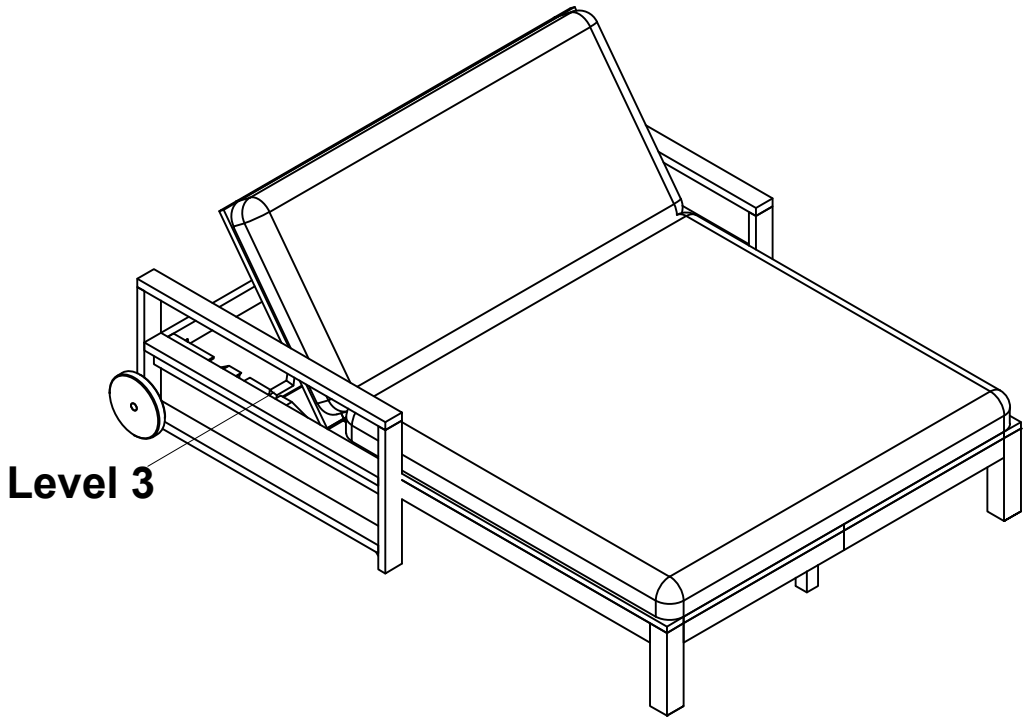


Set up the Cushions (I)+(K) to finish Outdoor Sunbed





OPTION 2



OPTION 3