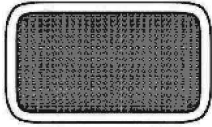
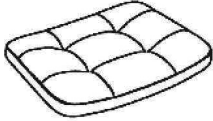
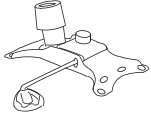
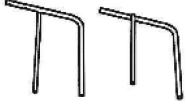


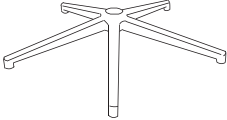
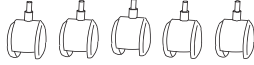

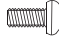
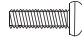



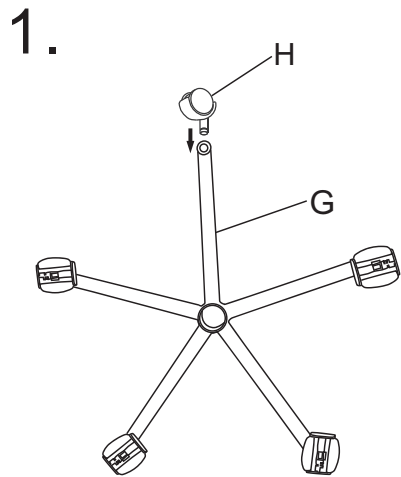


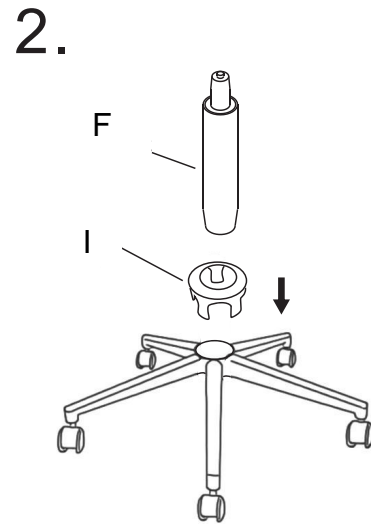
# OFFICE CHAIR

A		1
B		1
C		1
D		2
E		2
F		1
G		1

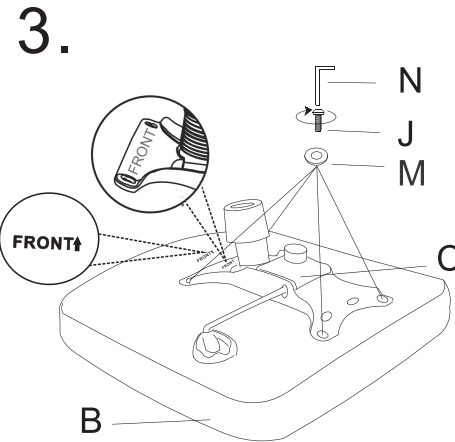
H		5
I		1
J	 (M6*18mm)	4
K	 (M6*35mm)	8
L	 (M6*40mm)	4
M		4
N		1



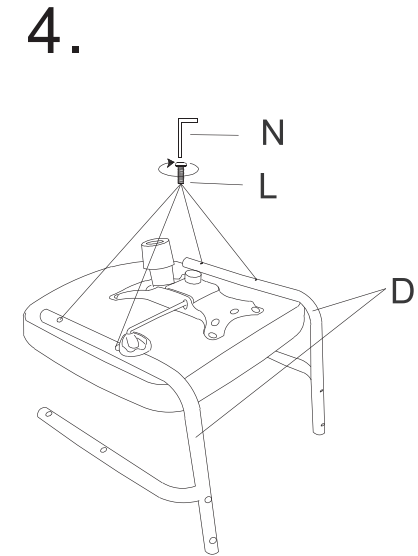
Press the wheel H down vertically with force.



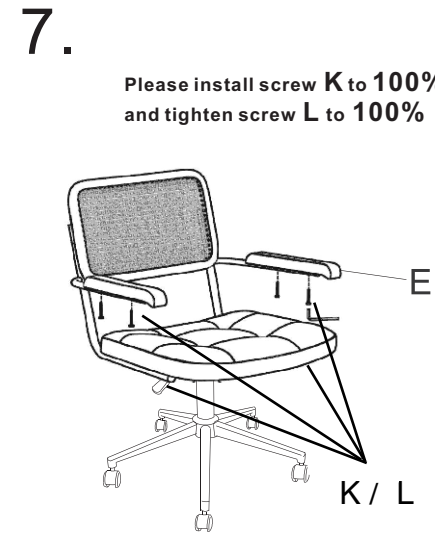
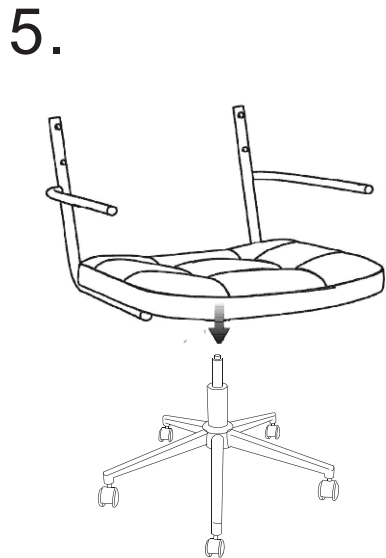
1. Insert the I into G, and snap G to I  
2. Insert F into the hole of the I and G



1. Put C refer to example diagram, and the "Front" is placed at the front edge of the cushion B  
2. Sleeve J+M into N, and tighten the 4 screws J 100%



Please install screw L to 50%



**Note:** The product uses high-quality pressure wheels that only move when gravity is sensed. So when using it for the first time, please have someone sit on it before moving.