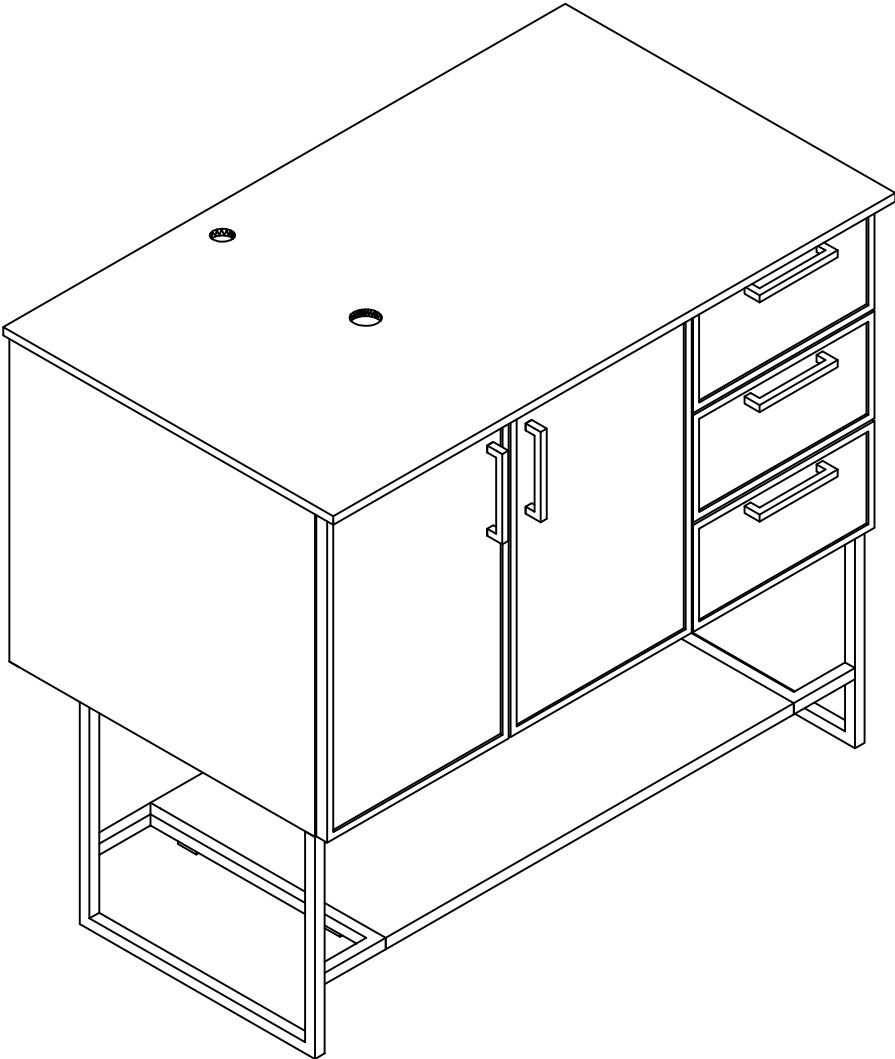




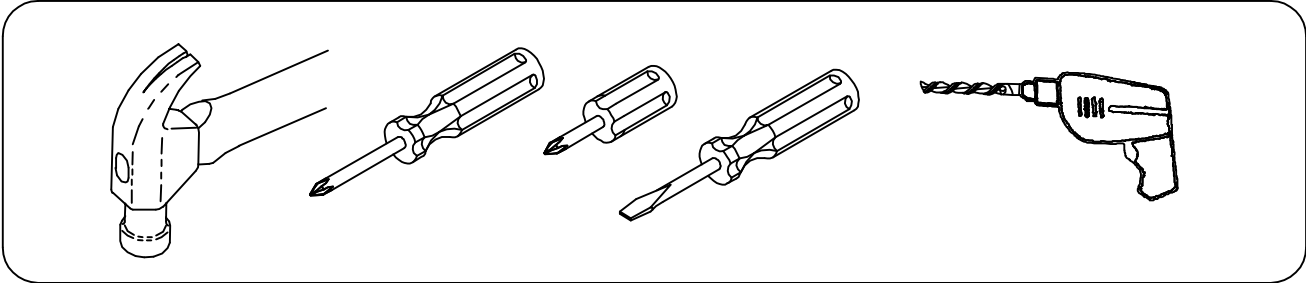
US29



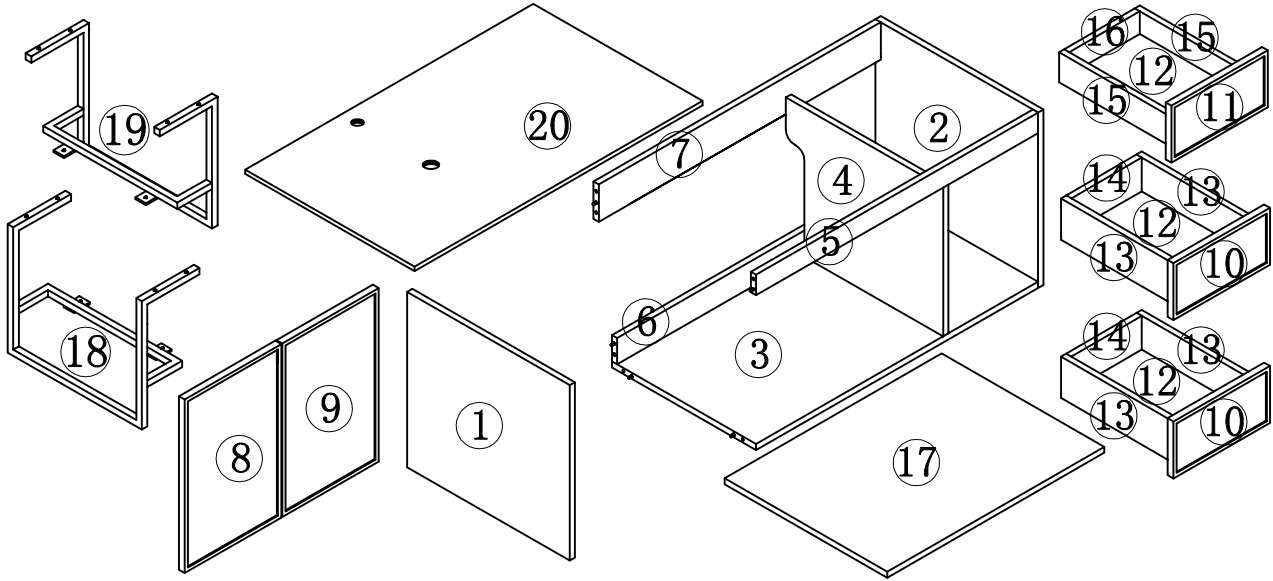
# DIMENSIONS






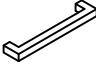

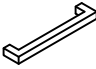

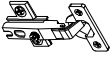




## YOU MAY NEED (NOT SUPPLY)





# ASSEMBLY DIAGRAM



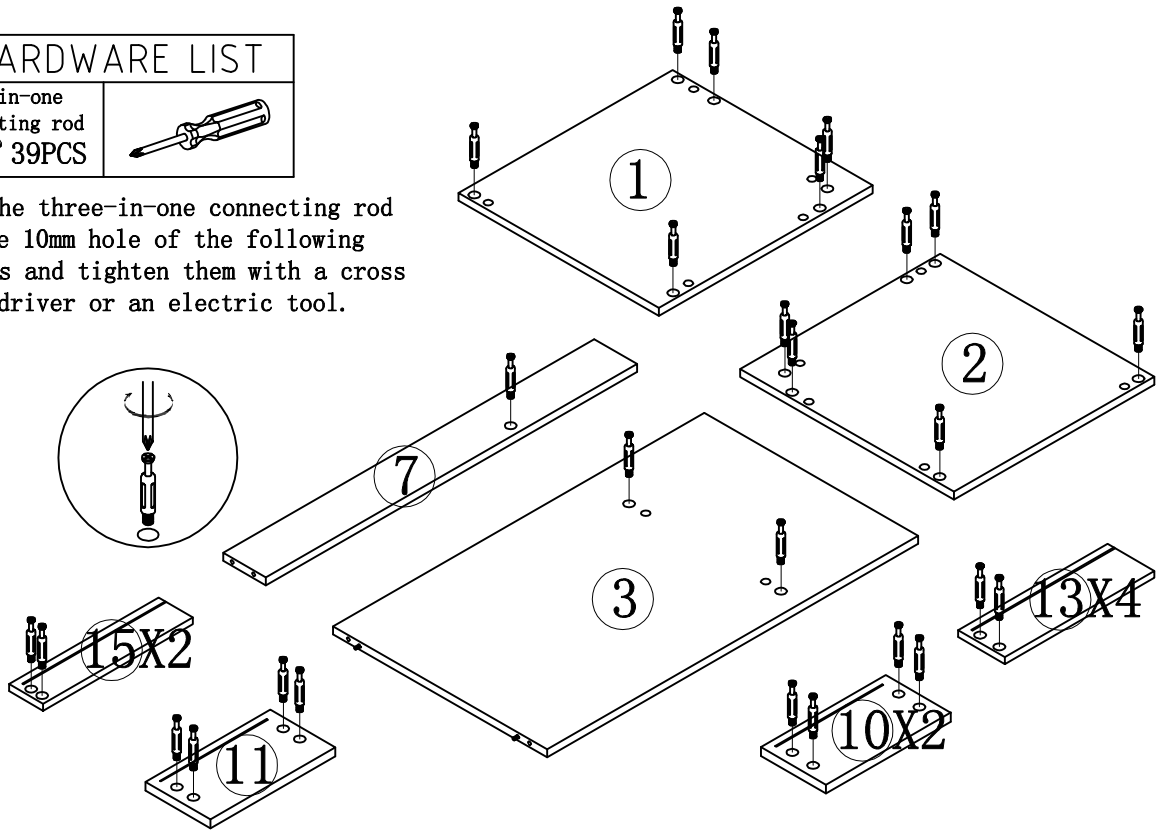
PARTS LIST					
PARTS LIST					
NO	DESCRIPTION	QTY	NO	DESCRIPTION	QTY
①	Left side panel	1	⑪	upper drawer panel	1
②	Right side panel	1	⑫	drawer bottom	3
③	Bottom panel	1	⑬	Middle and lower drawer side panels	4
④	middle side panel	1	⑭	Middle and lower drawer back panel	2
⑤	front pull-up	1	⑮	upper drawer side panel	2
⑥	front drop bar	1	⑯	Upper drawer back panel	1
⑦	rear pull-up bar	1	⑰	lower board	1
⑧	Left door panel	1	⑱	Left iron frame	1
⑨	Right door panel	1	⑲	Right iron frame	1
⑩	Middle and lower drawer panels	2	⑳	Countertop Panel	1

PARTS LIST					
HARDWARE LIST					
NO	DESCRIPTION	QTY	NO	DESCRIPTION	QTY
A	Three-in-one eccentric wheel 	39	G	4*20mm screw 	10
B	Three-in-one connecting rod 	39	H	Door handle 	2
C	Three-in-one sticker 	39	I	Drawer handle 	3
D	8*40mm wood dowel pins 	13	J	Door hinge 	4
E	Drawer slides 	6	K	5*14mm screw 	8
F	4*16mm screw 	60	L	5*30mm screw 	8
CAUTION: Please confirm the parts list before installation					

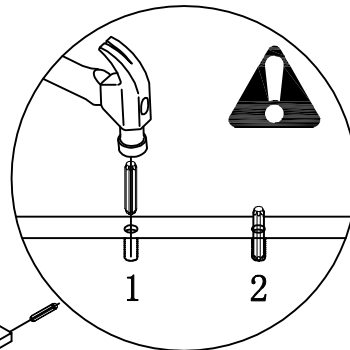
# STEP 1

HARDWARE LIST	
Three-in-one connecting rod B  39PCS	

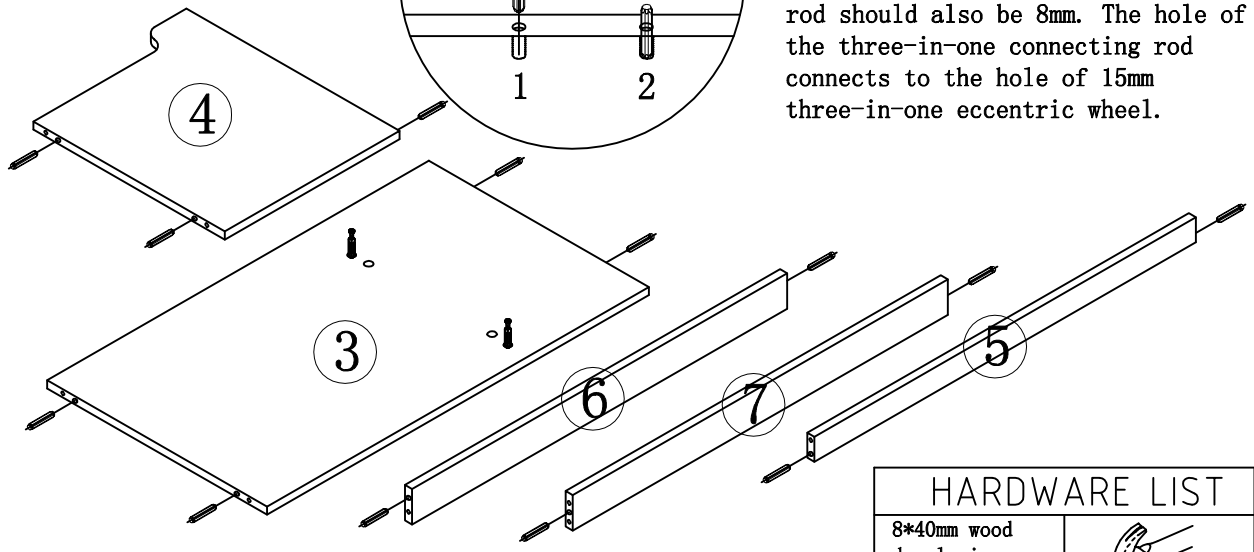
1. Put the three-in-one connecting rod in the 10mm hole of the following panels and tighten them with a cross screwdriver or an electric tool.





# STEP 2

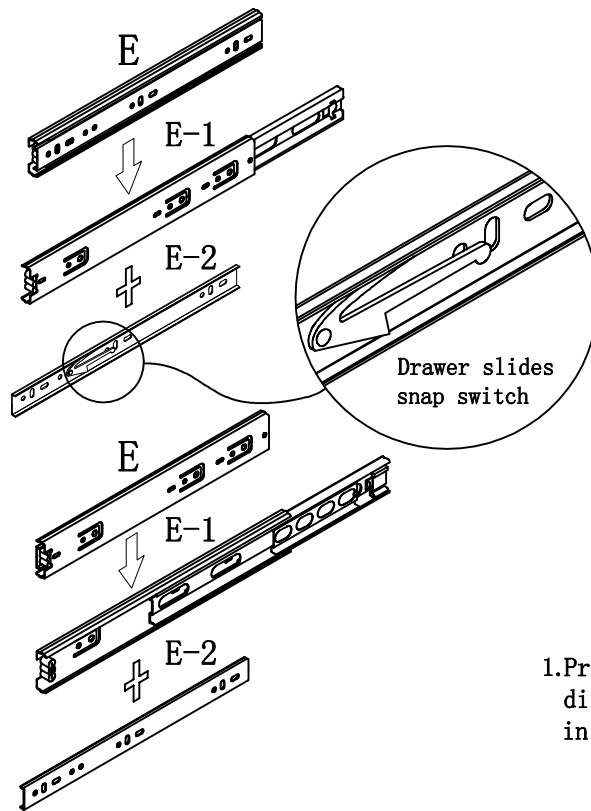


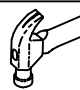

1. Strike the 08\*40mm wood dowel pin into the 8mm hole of the above panels with an iron hammer. Please note that the hole of the three-in-one connecting rod should also be 8mm. The hole of the three-in-one connecting rod connects to the hole of 15mm three-in-one eccentric wheel.



HARDWARE LIST	
8*40mm wood dowel pins D  13PCS	

# STEP 3

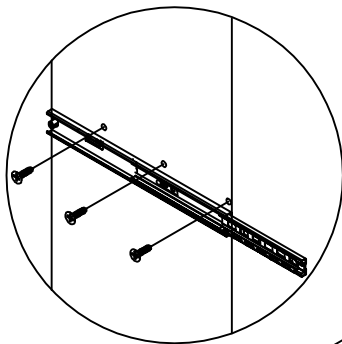


HARDWARE LIST	
Drawer slides	
E  6PCS	

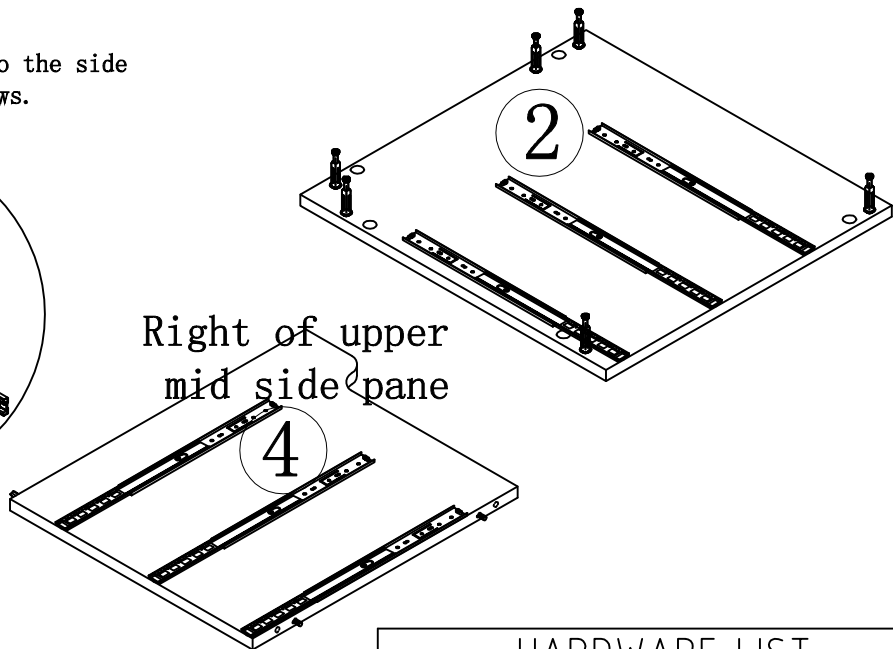
1. Press the slide snap switch, disassemble slide blocks and put them in a place properly for further use.

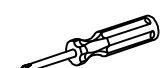


# STEP 4

1. Fix the drawer slide to the side panel with 4\*16mm screws.

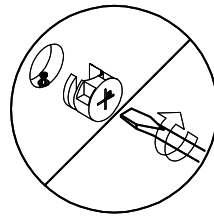
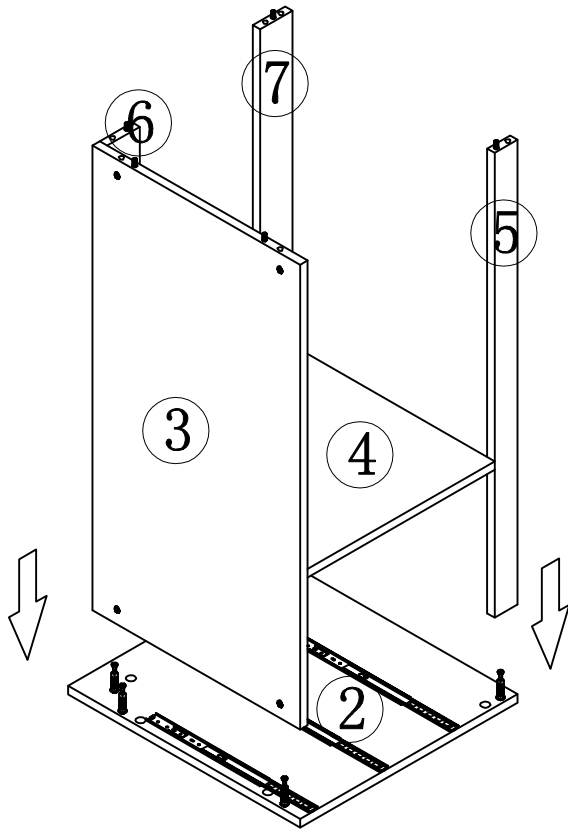


Right of upper mid side pane

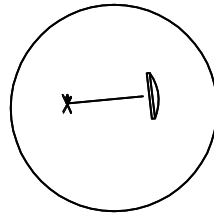


HARDWARE LIST		
4*16mm screw	Drawer slides	
F  18PCS	E-1  6PCS	




# STEP 5



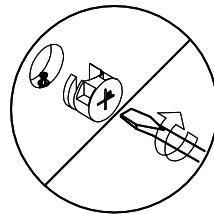
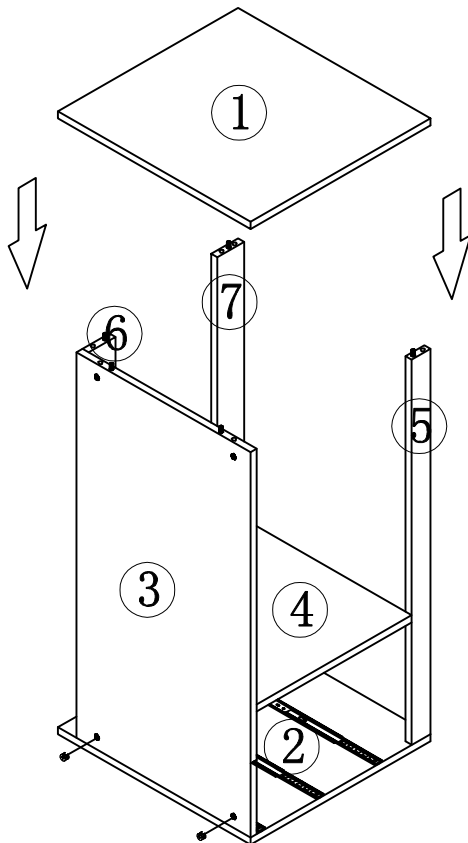
1. Connect No. 3-5-6-7 panel to No. 2 panel tightly with the three-in-one eccentric wheel.



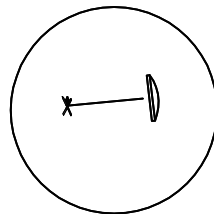
2. Cover the mounting hole of the eccentric wheel with a three-in-one sticker.

HARDWARE LIST		
Three-in-one eccentric wheel A  9PCS	Three-in-one sticker C  9PCS	




# STEP 6



1. Connect No. 1 panel to No. 3-5-6-7 panel tightly with the three-in-one eccentric wheel.

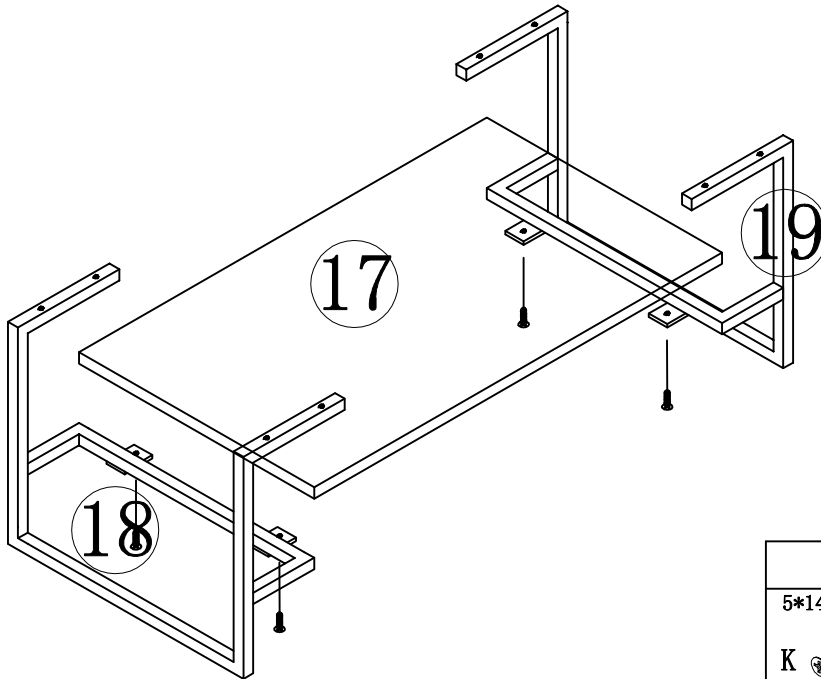


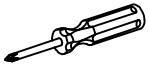

2. Cover the mounting hole of the eccentric wheel with a three-in-one sticker.

HARDWARE LIST		
Three-in-one eccentric wheel A  6PCS	Three-in-one sticker C  6PCS	

# STEP 7

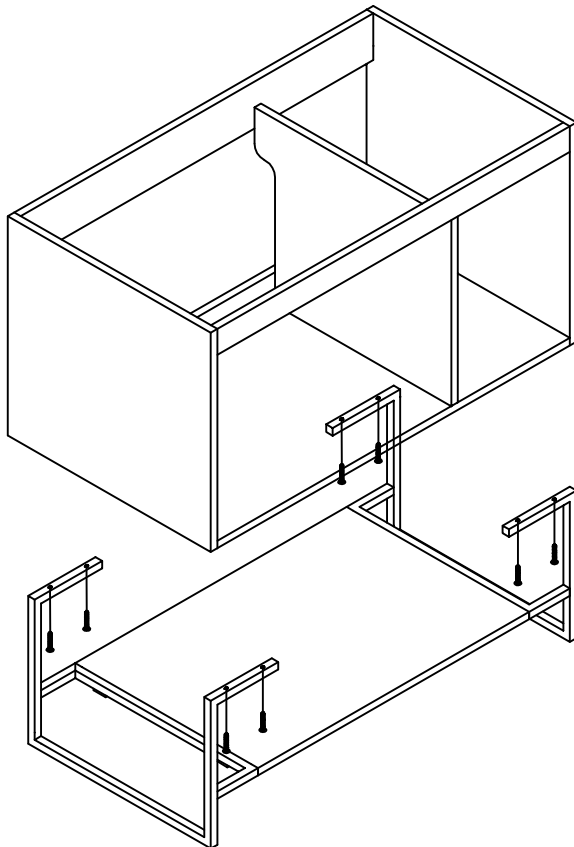
1. Use 5\*14mm self-tapping screws to install the No. 17 lower board to the No. 18-19 iron frame feet.





HARDWARE LIST	
5*14mm screw	
K  8PCS	

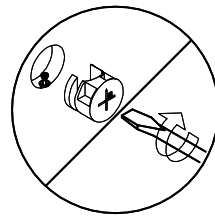
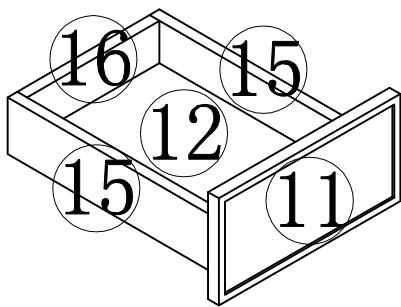
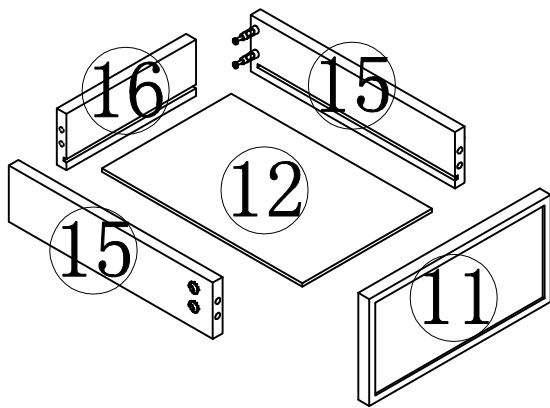
# STEP 8

1. Use 5\*30mm self-tapping screws to install the cabinet to the iron frame feet and fix it.

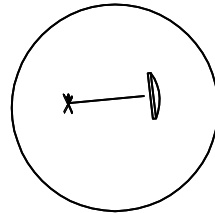


HARDWARE LIST	
5*30mm screw	
L  8PCS	




# STEP 9



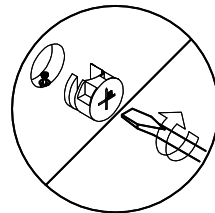
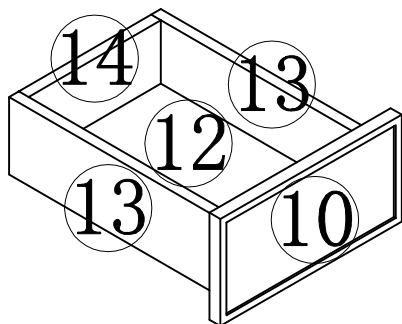
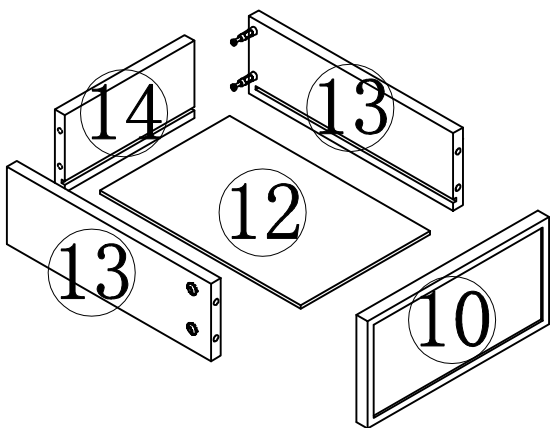
1. Install No. 11-12-15-16 panels with the three-in-one eccentric wheel tightly.



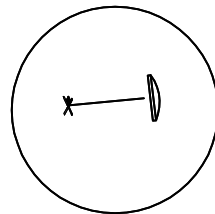
2. Cover the mounting hole of the eccentric wheel with a three-in-one sticker.

HARDWARE LIST		
Three-in-one eccentric wheel A  8PCS	Three-in-one sticker C  8PCS	




# STEP 10



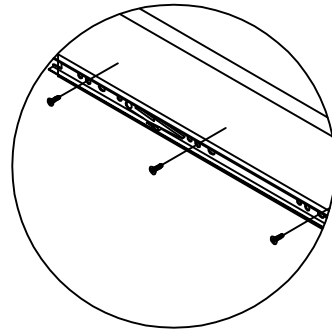
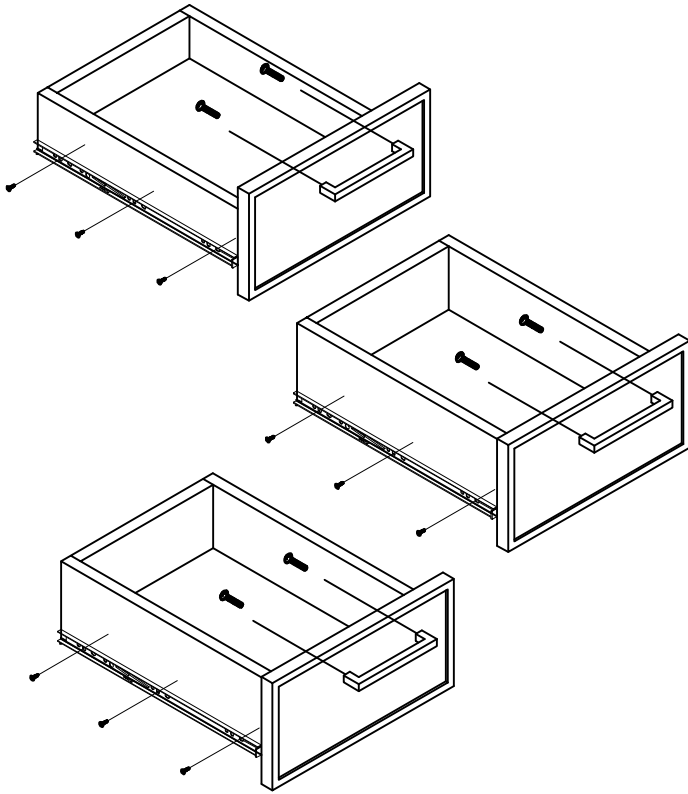
1. Install No. 10-12-13-14 panels with the three-in-one eccentric wheel tightly.



2. Cover the mounting hole of the eccentric wheel with a three-in-one sticker.

HARDWARE LIST		
Three-in-one eccentric wheel A  16PCS	Three-in-one sticker C  16PCS	

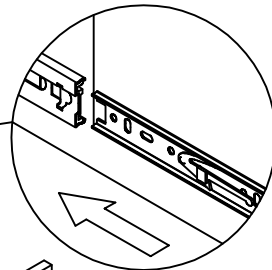
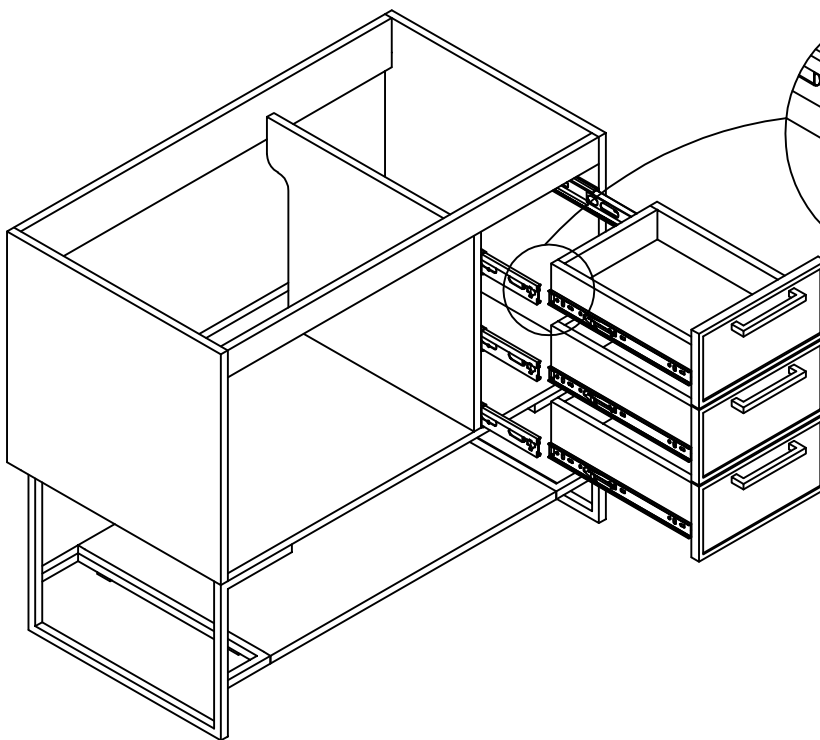
# STEP 11



- 1.Lock the spare drawer slide block to the drawer.
- 2.Install the drawer handle with 4\*20 handle screws.

HARDWARE LIST		
4*16mm screw	Drawer slides	
F  18PCS	E-2  6PCS	
4*20mm screw	Drawer handle	
G  6PCS	I  3PCS	

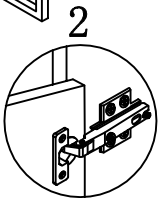
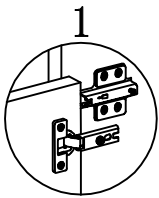
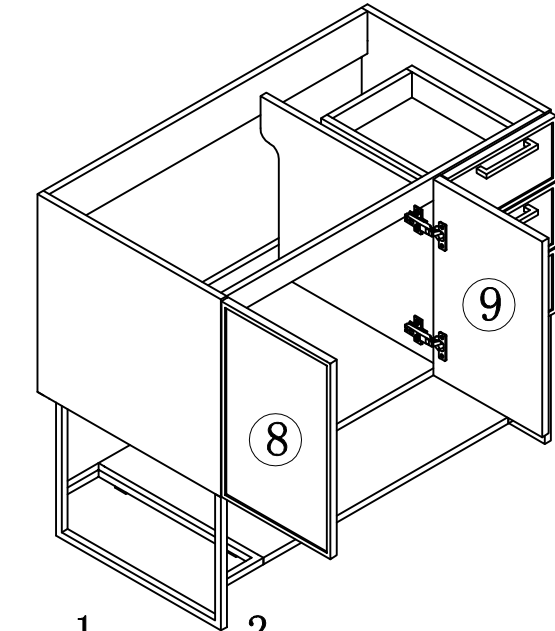
# STEP 12



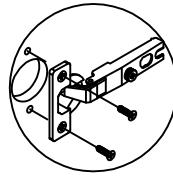
- 1.Align slide block with the trough on the guide rail, press the snap switch and press it forward to install the drawer.

- 2.Install drawer handles.

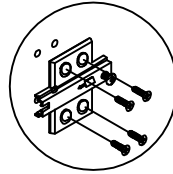
# STEP 13



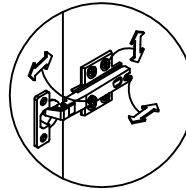
3. Install the hinge cup on the door panel to the hinge of the side panel.



1. Install the hinge cup to the door panel with 4\*16mm screws.

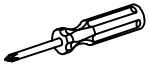




2. Install the hinge to the side panel with 4\*16mm screws.

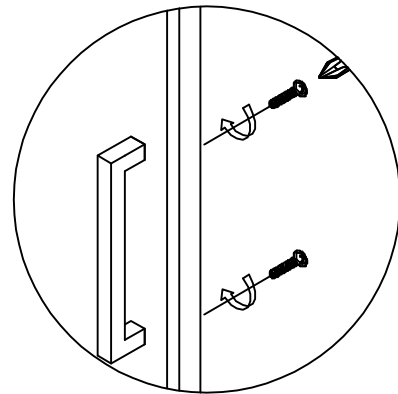
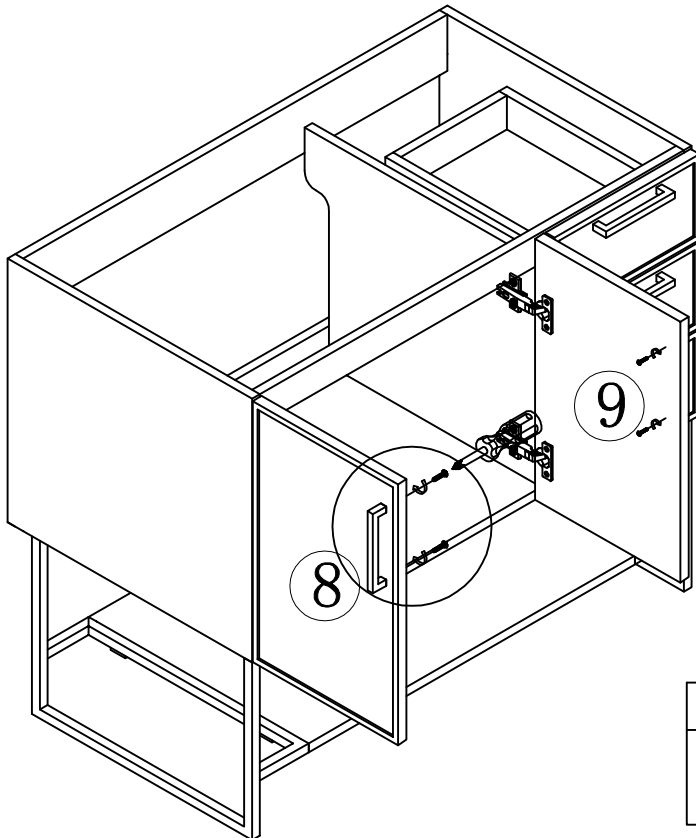


4. Adjust the door panel clearance.

## HARDWARE LIST

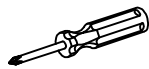


4*16mm screw	Door hinge	
F  24PCS	J  4PCS	

# STEP 14

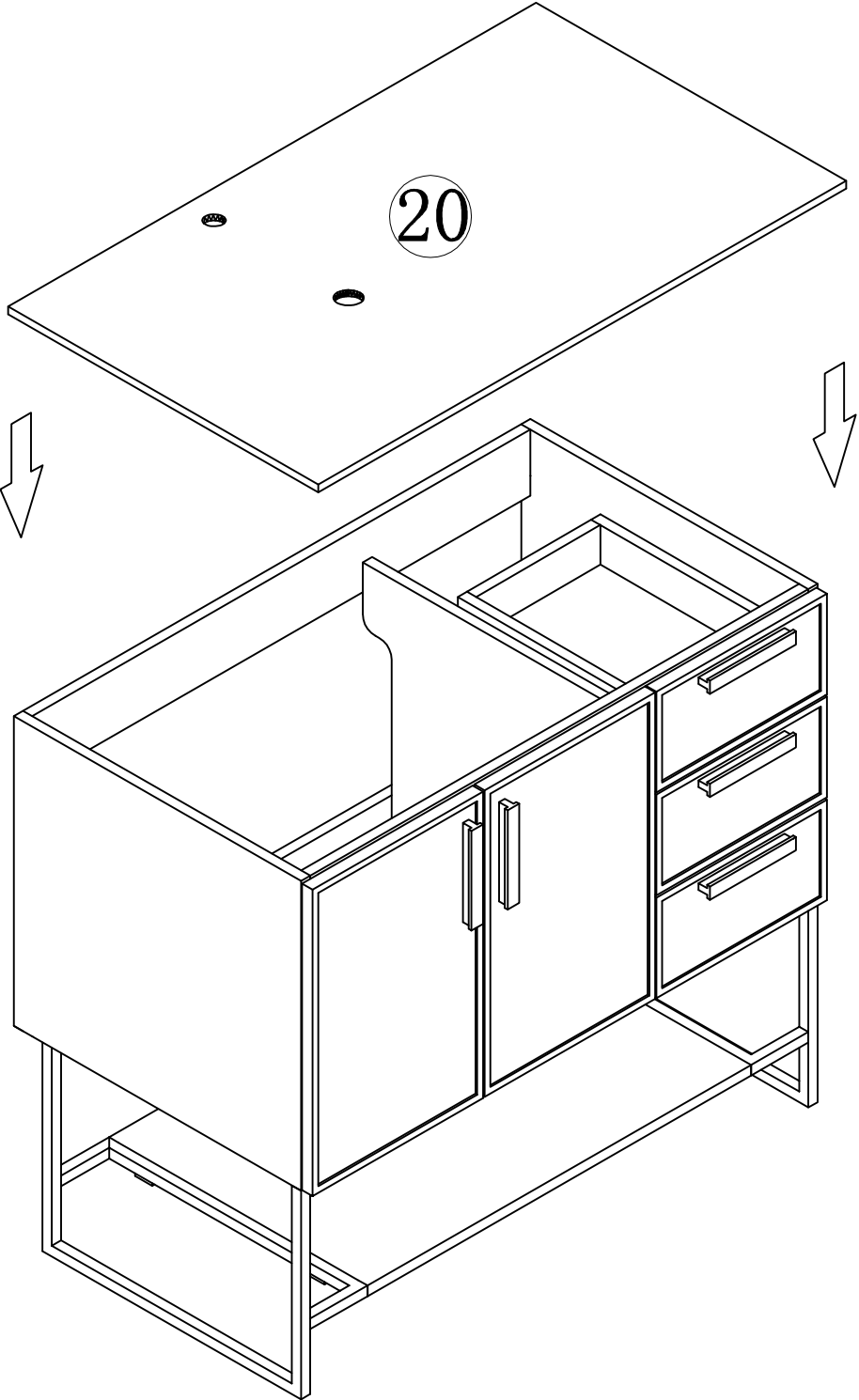


1. Install the door handle with 4\*20mm handle screws.

## HARDWARE LIST

4*20mm screw	Door handle	
G  4PCS	H  2PCS	

# STEP 15



1. Put #20 countertop panel on the top of the cabinet.



**Choking hazard-Small Parts :** This unit contains small parts, not for children under 3 years.

**Tip-over hazard :** Secure finished unit to wall stud using L-Bracket and wall screw (#10\*1.5"W/out provided). If a wall stud is not neccessible , Consault your local hardware store for appropriate mounting hardware . Failure to properly install will result in product collapse or tip-over. Serious injury can occur .