

Assembly Instructions

Bench

Important safety instructions:

- Thanks for your purchasing this product, please read carefully instruction before assembly.

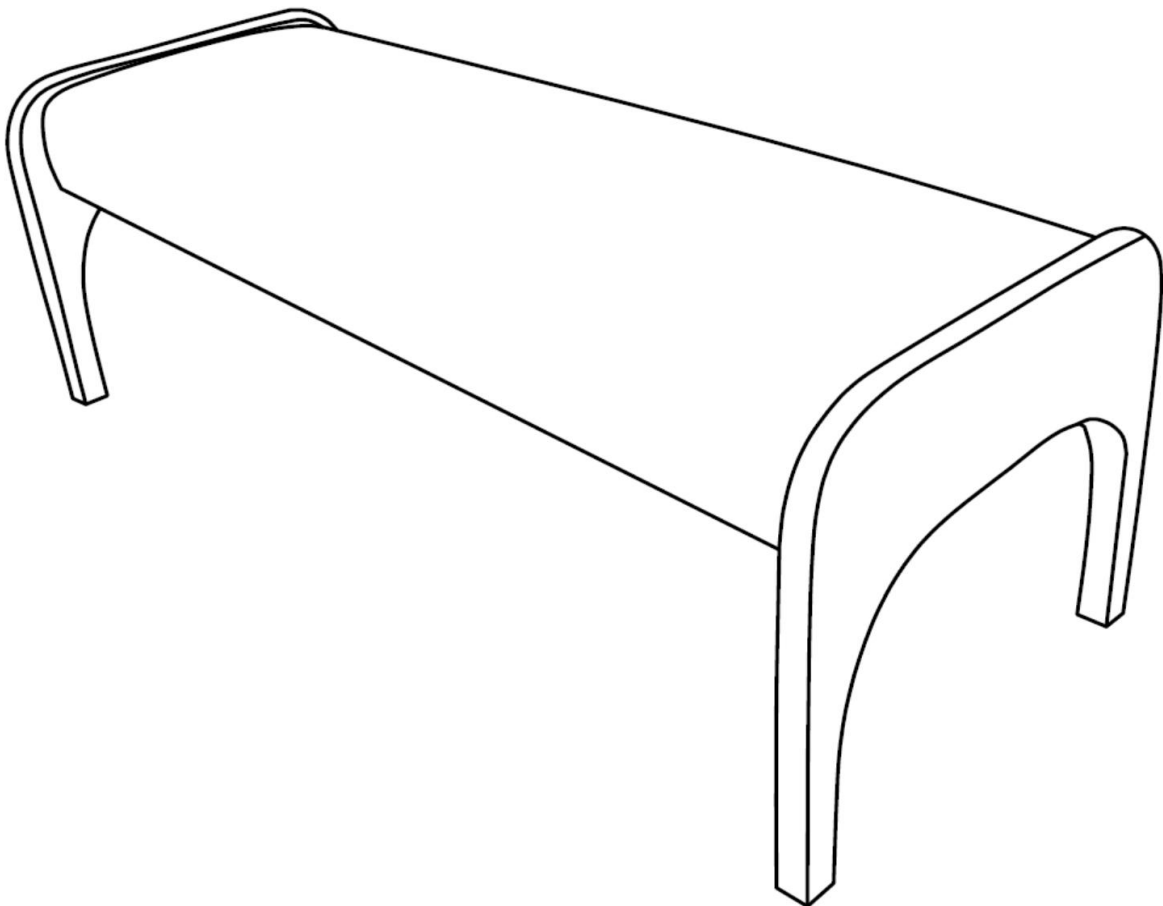
- For your safety and ease, assembly by two or more adults is recommended.

Keep instructions for future use.


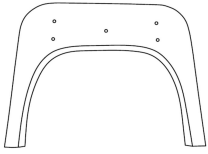





Pre-assembly:

- Do not discard any content until assembly is complete to avoid accident tally discarding parts or hardware.

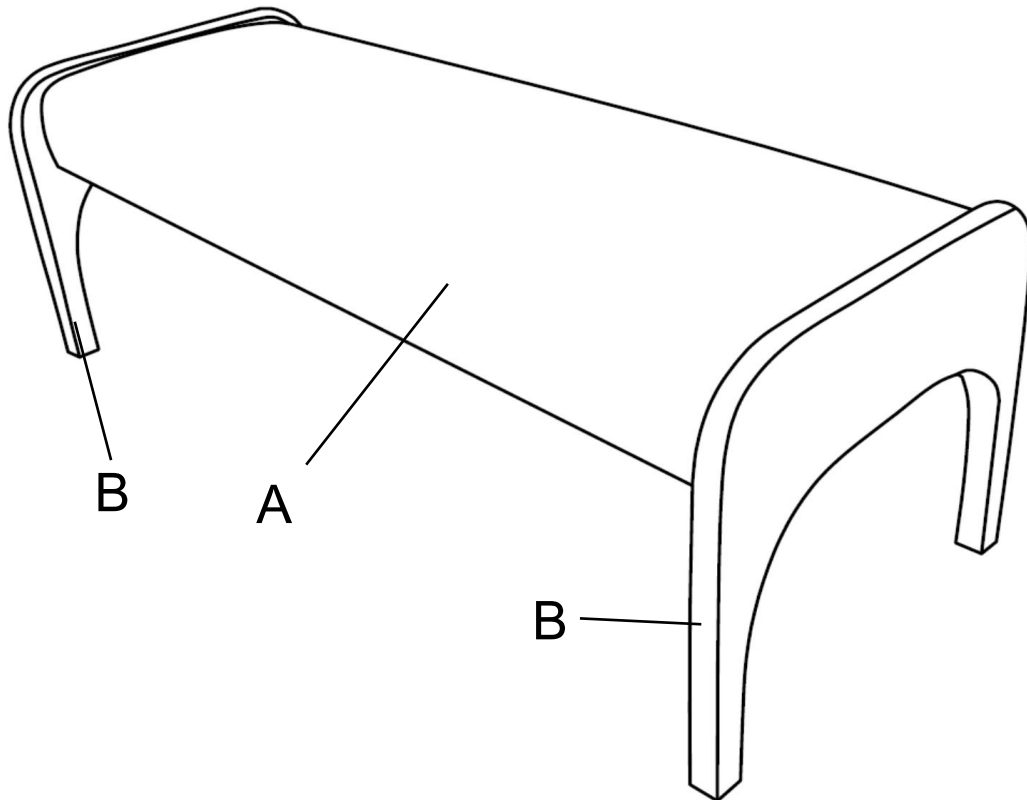
- Take out all parts and hardware from box and place them on a clean, soft and smooth surface.



Parts List

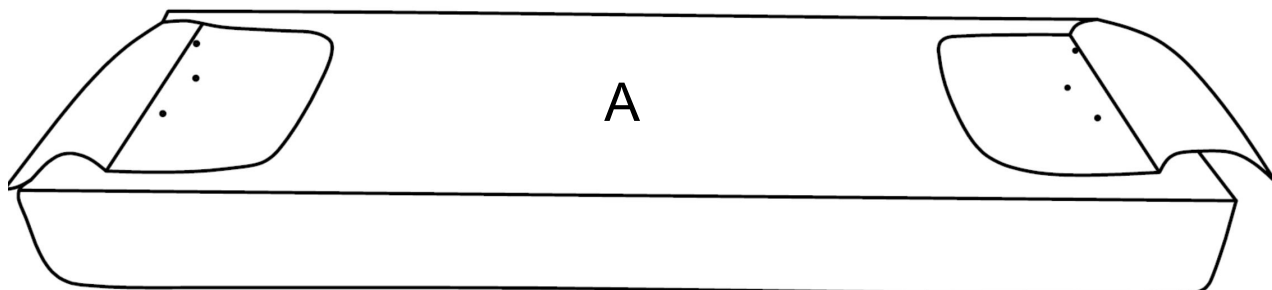
Ax1 	Bx2 	Cx8 	Dx2 
SEAT	WOODEN LEG	BOLT(M8x50mm)	BOLT(M8x35mm)
Ex10 	Fx10 	Gx1 	
SPRING WASHER	WASHER	ALLEN WRENCH	

OVERVIEW:

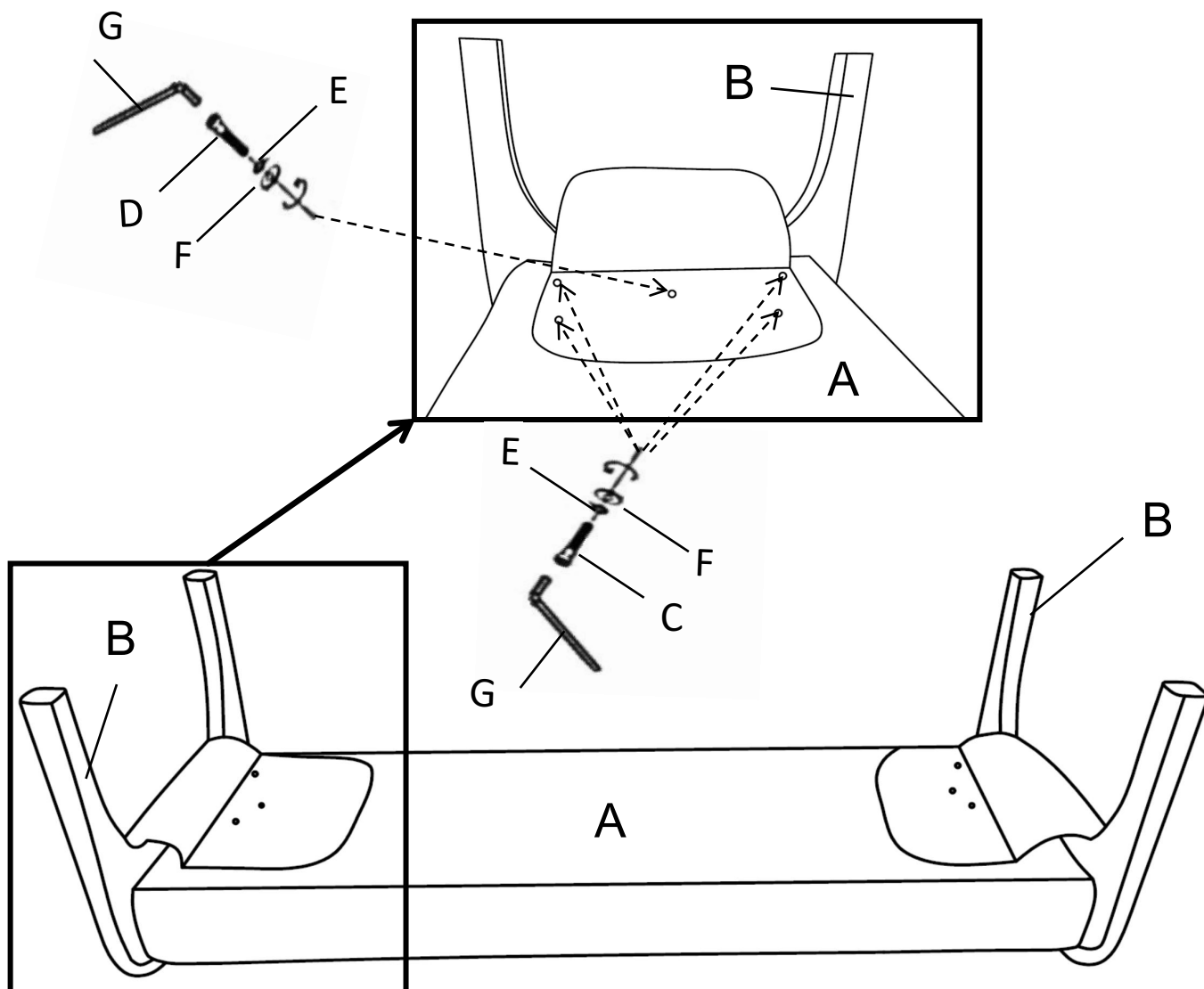


Assembly Steps:

Step 1: Unzip the Zipper under the **Seat(A)** and then you can see the assemble hole to assemble the legs on both side



Step 2: Put the **Leg(B)** on both side of the **Seat(A)**, and then tight them with **Bolt(C)** and **Bolt(D)** and **Spring Washer(E)** and **Washer(F)** by using **Allen Wrench(G)**.



Step 3: Turn the Bench face up, then your Bench is ready for use.
This Bench can only be used on a flat, level surface.

