

Specifications:

Installation:	vanity-top
Exterior Dimensions:	36 1/2" w x 19" d x 6 1/2" h
Material:	Solid surface
Weight:	48 lbs
Overflow:	Yes
Finishes	M - Matte white G - Gloss white
Faucet Holes:	N/A
Drain Hole Size:	Ø 1 3/4"
Cutout Size:	20 1/2" x 15 3/4" (template available upon request)



Features:

- Stain, scratch, chemical, impact resistant
- Optional backsplash available

Codes + Standards:

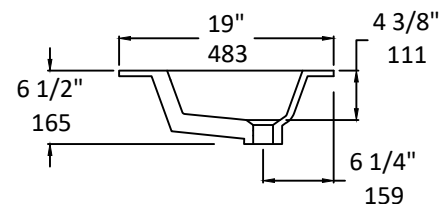
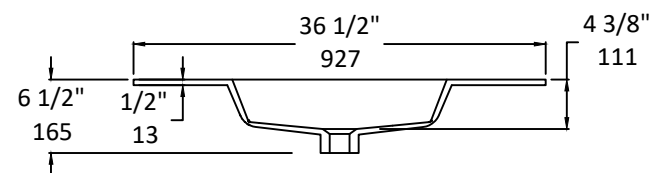
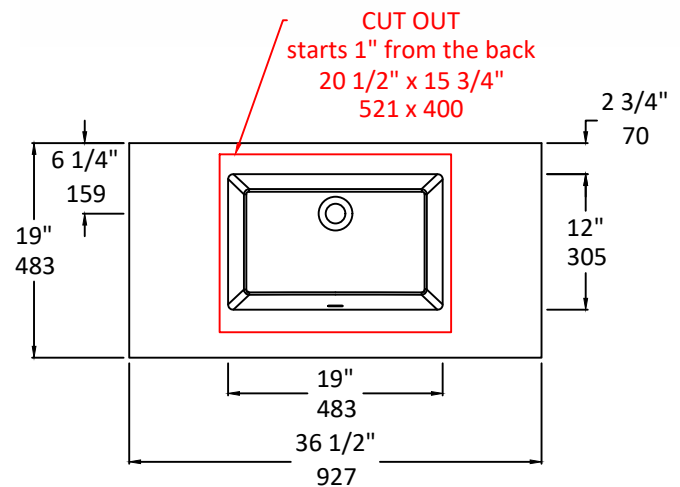
- Meets and exceeds applicable national codes and standards

ADA

compliant when installed to specific requirements of this regulation

Recommended Items:

- BKS - 6" Backsplash G - gloss, M - matte
- Furniture for K36S 19" deep sink (not suitable for deck-mount faucet)
 - KBT-ADA-36S - Wall-mount vanity with two doors
- Drain with overflow
 - 7100-17
 - 7100-16OF
 - 7100-13OF



Care + Maintenance:

- To prevent damage to the solid surface material, hot objects and open flame should not be placed in direct contact with the surface

[Click Here](#) to find out more about proper care and maintenance

LACAVA reserves the right to revise any dimension or information on this sheet without notice. Dimensions are nominal and may vary within an industry accepted tolerance of 1/4". Drawings provided herein are meant to give the user an idea of the product and are not made to scale.

Revised: 03/18/26