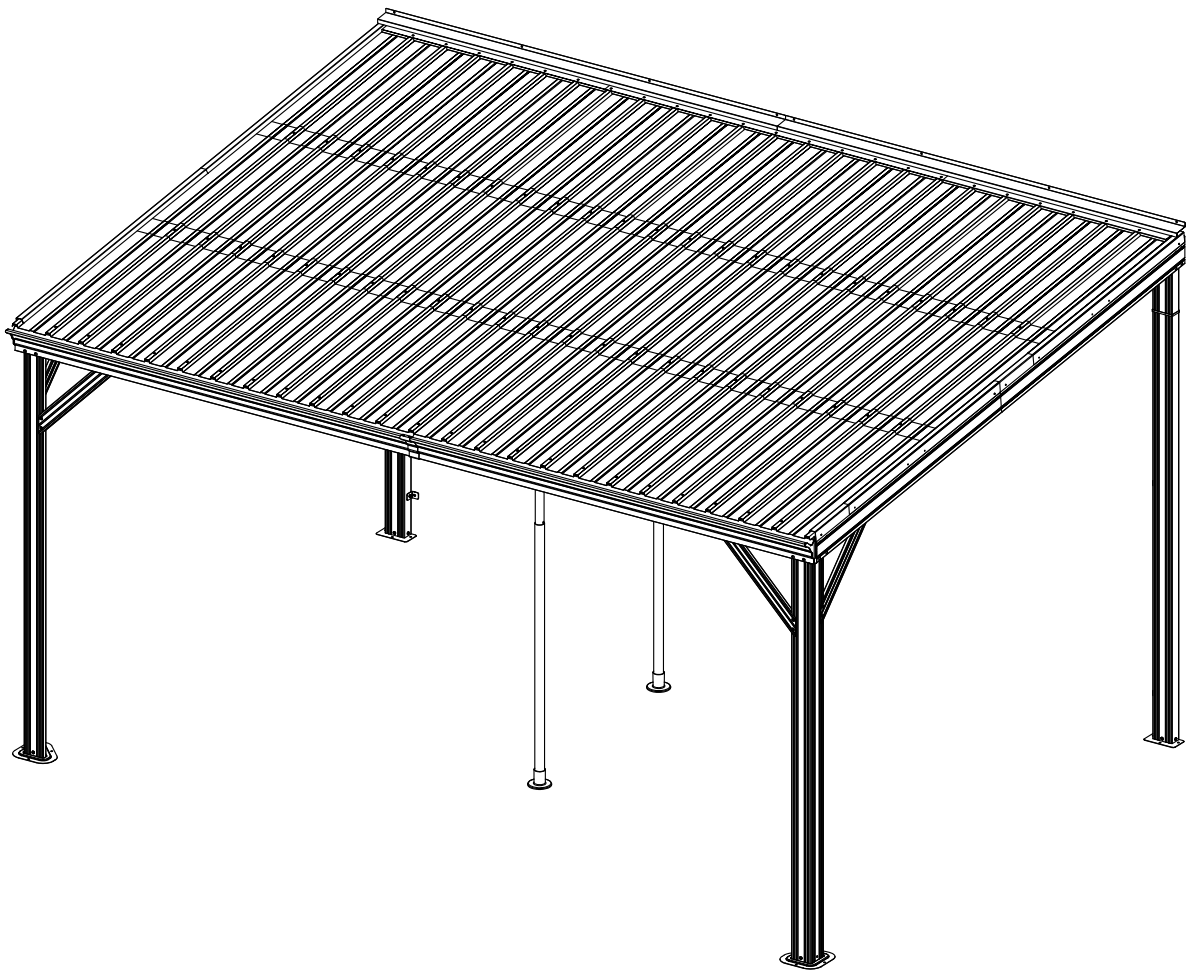




10'x12' WALL-MOUNTED GAZEBO

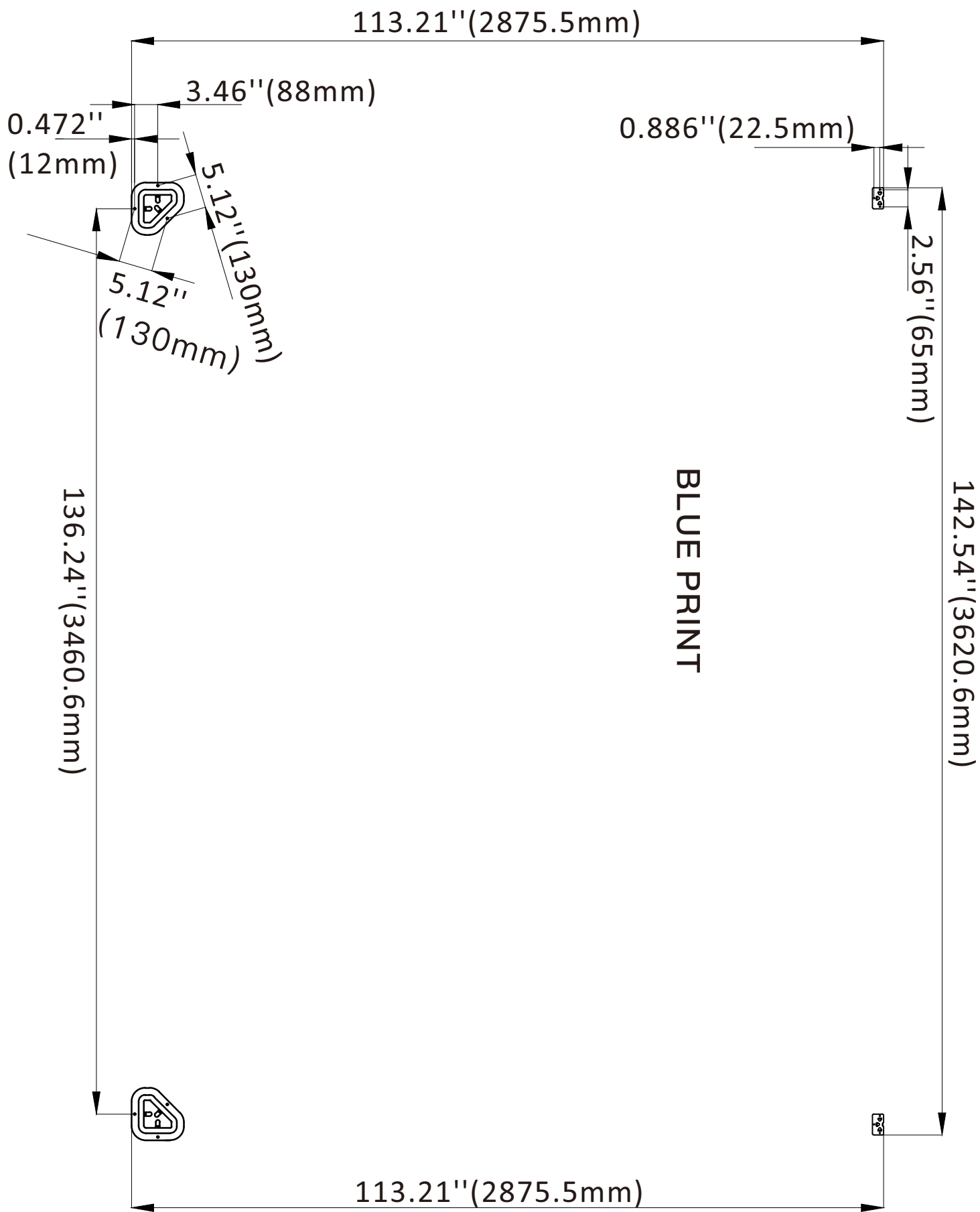


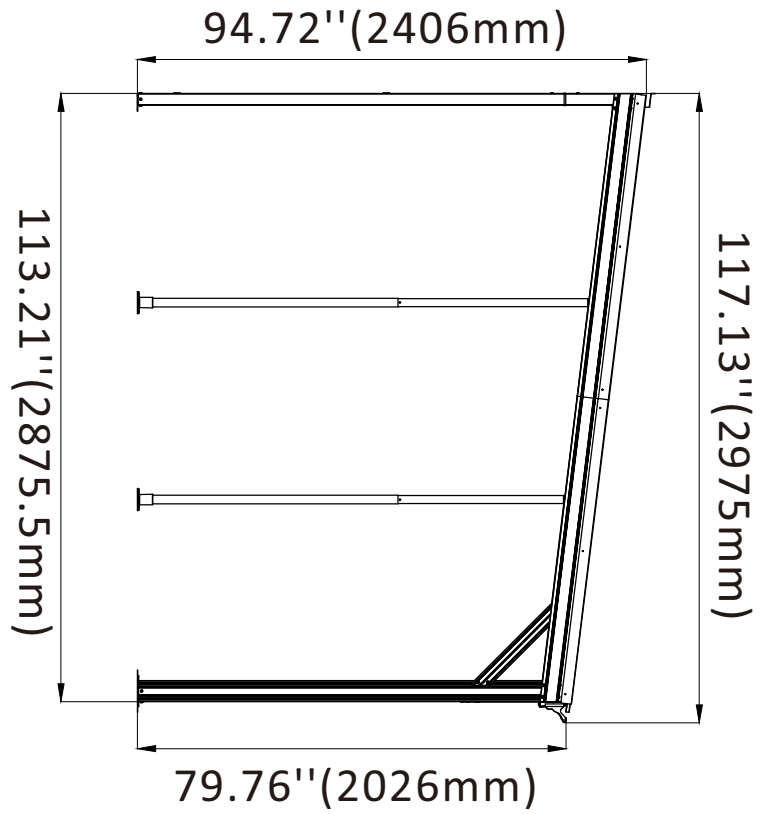
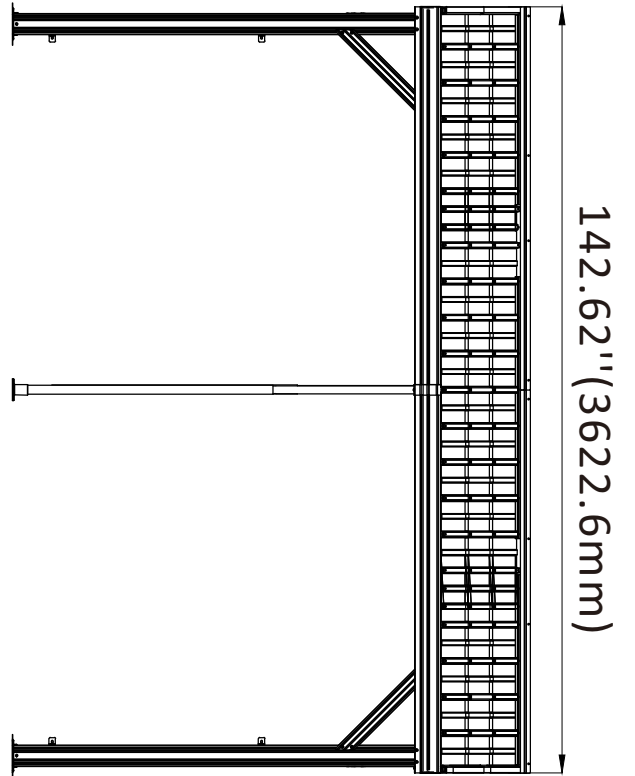
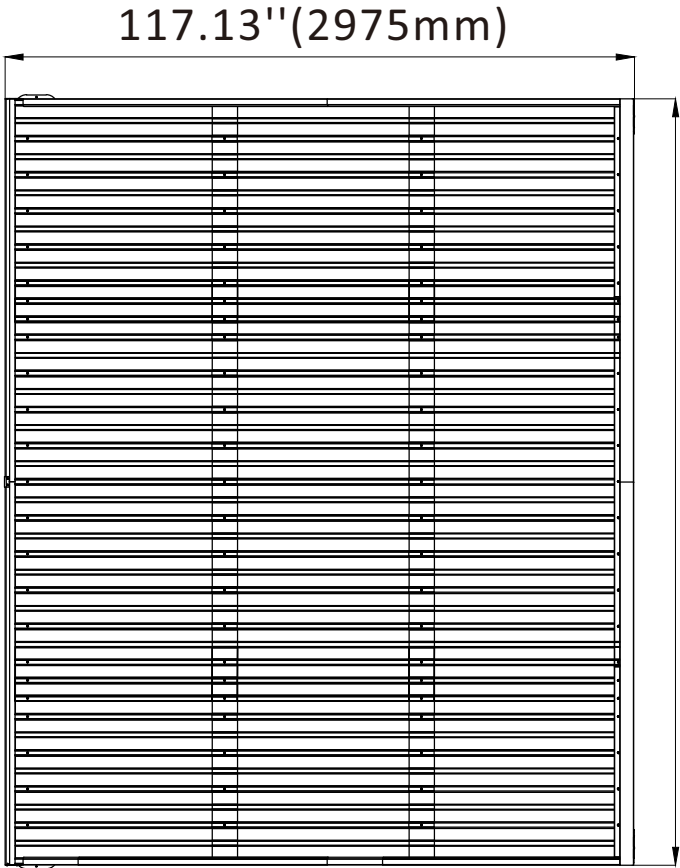
MODEL# : LGCF1697

Missing part? Damaged? Contact us via email at

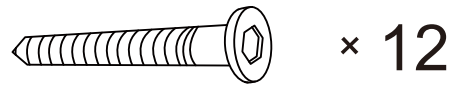
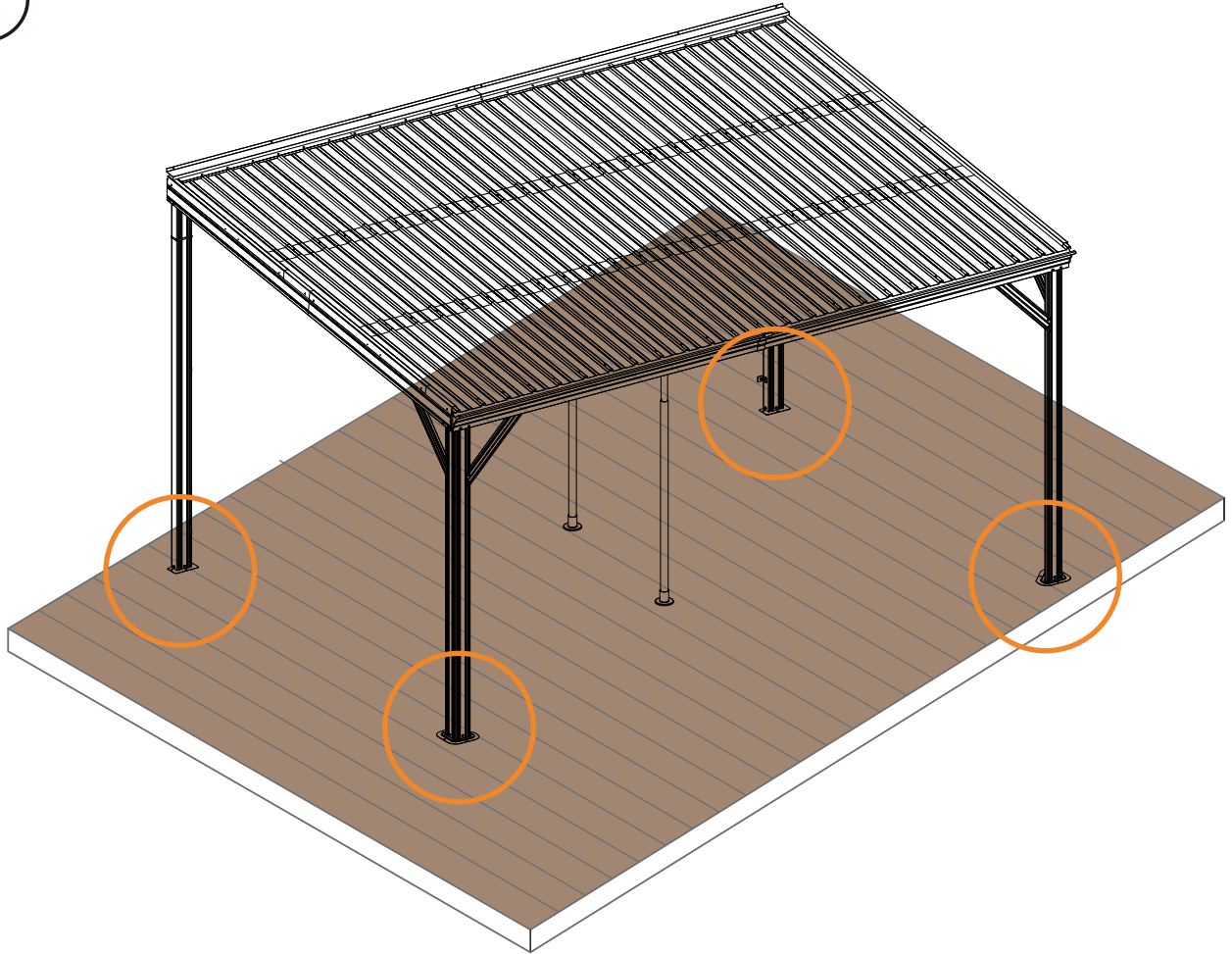
service@domioutdoorliving.com

www.domioutdoorliving.com

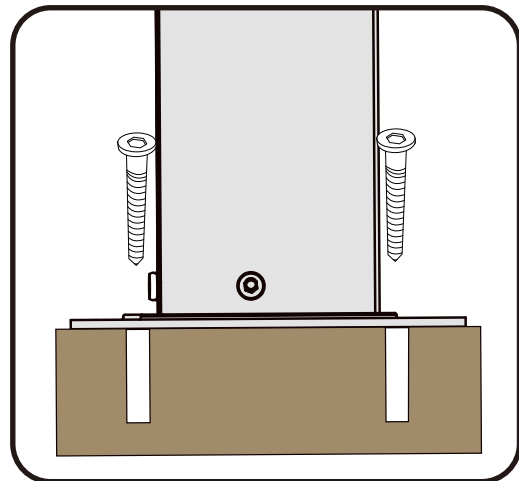
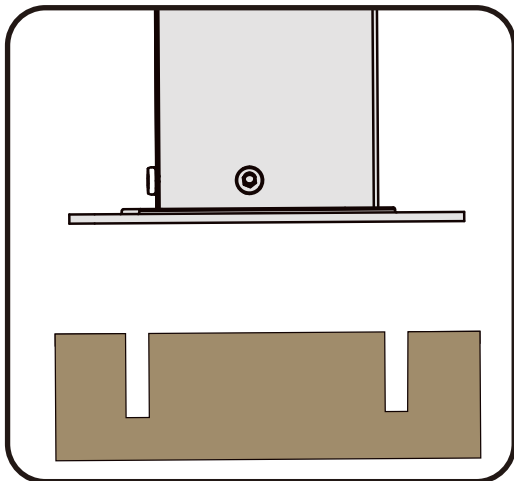




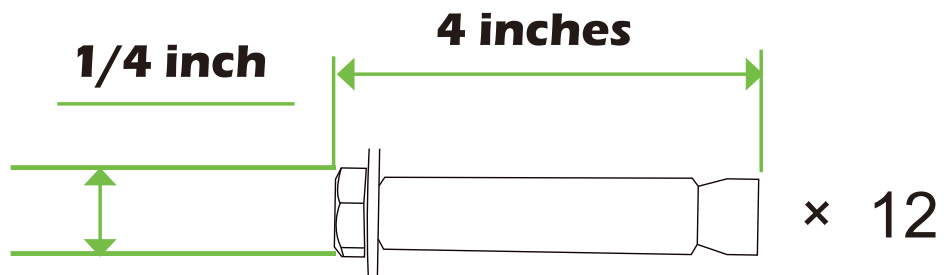
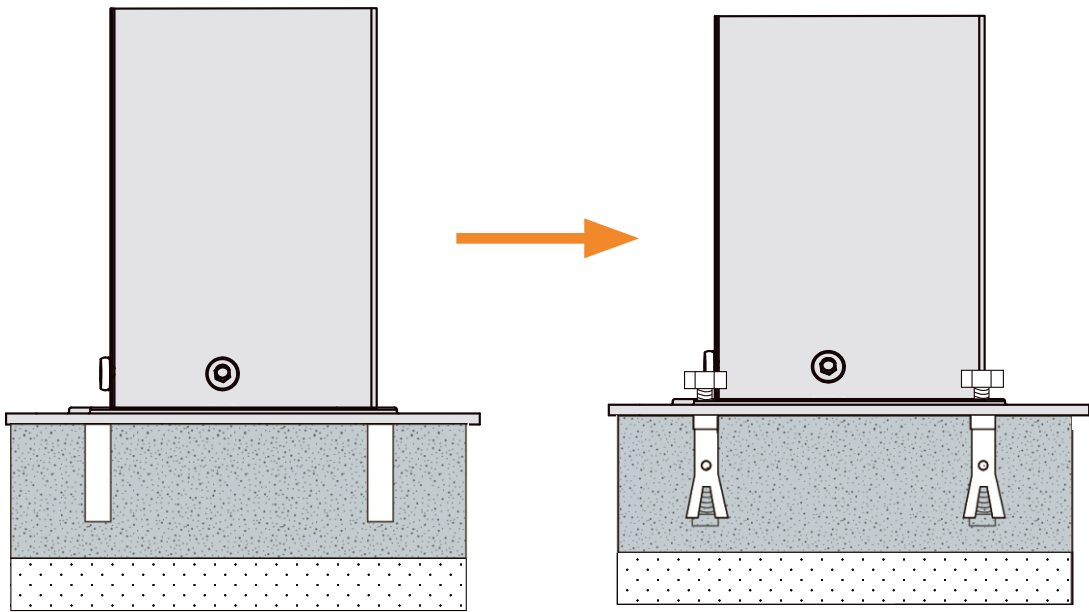
1



If the deck is hard wood and the depth of it is over 3 inch, you can use **5/16 in. x 4 in. Structural Wood Screw** to mount the pergola.



2



If the ground is concreted and the depth of it is over 3 inch, you can use 1/4 inch expansion bolts to mount the pergola



A1 1x



A2 1x



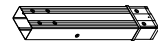
B1 1x



B2 1x



B3 1x



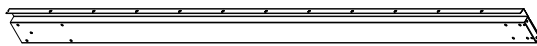
B4 1x



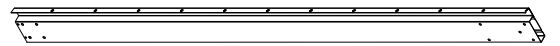
D1 1x



D2 1x



E1 1x



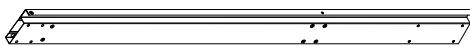
E2 1x



F1 2x



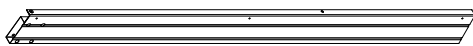
F2 2x



G1 1x



G2 1x



H1 1x



H2 1x



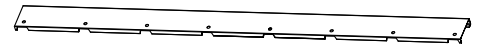
I1 2x



I2 2x



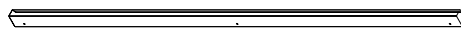
J1 2x



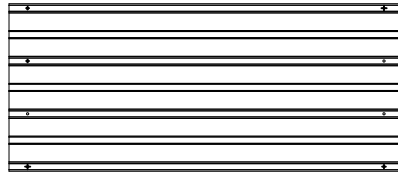
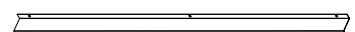
J2 1x



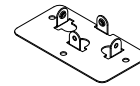
J3 4x



J4 2x



M1 21x



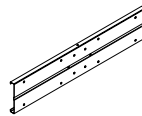
C1 2x



C2 2x



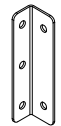
C3 6x



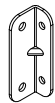
D3 1x



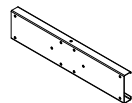
D4 1x



K1 2x



K2 2x



K3 5x



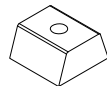
K4 1x



K5 8x



L1 88x



L2 88x



1 1x



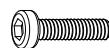
2 16x

M6x12



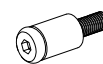
M6x16

3 126x



M6x30

4 88x



M6x30

6 4x



M6x40

7 24x



M6

8 84x



M5x12

9 1x



B型ST4. 2x10

10 12x



ST4.8x13

11 2x



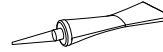
ST5x16

12 2x



M6x70

13 16x



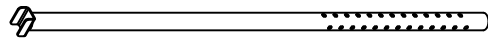
14 2x



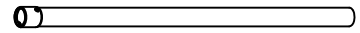
15 2x



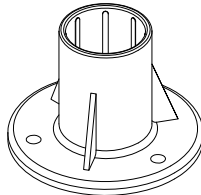
16 2x



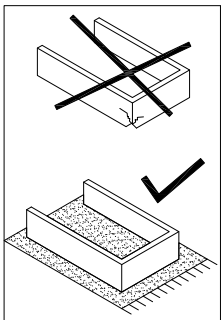
AA 2x




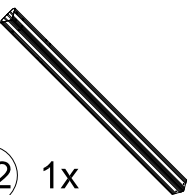

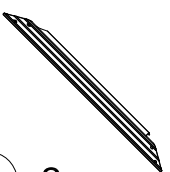

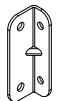
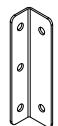

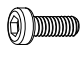
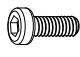
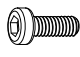
BB 2x

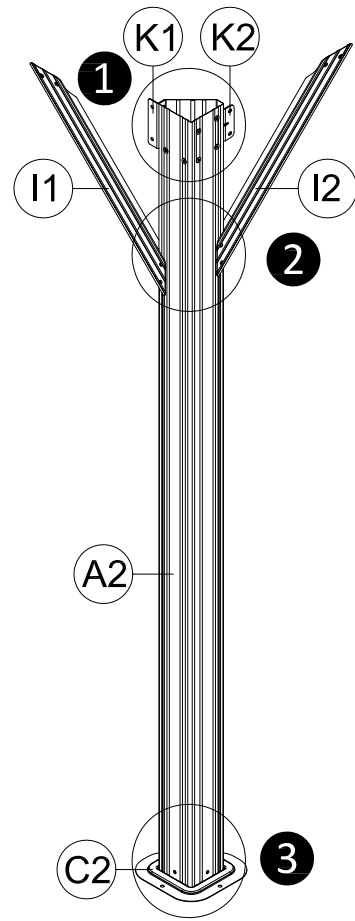
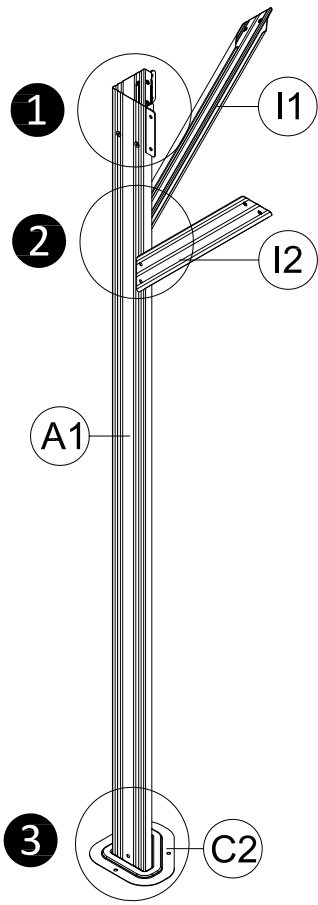
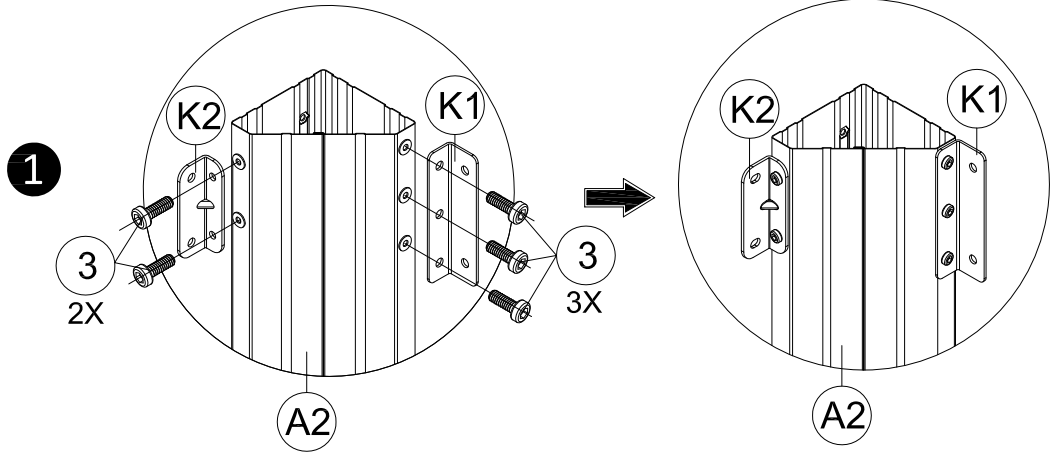


CC 2x

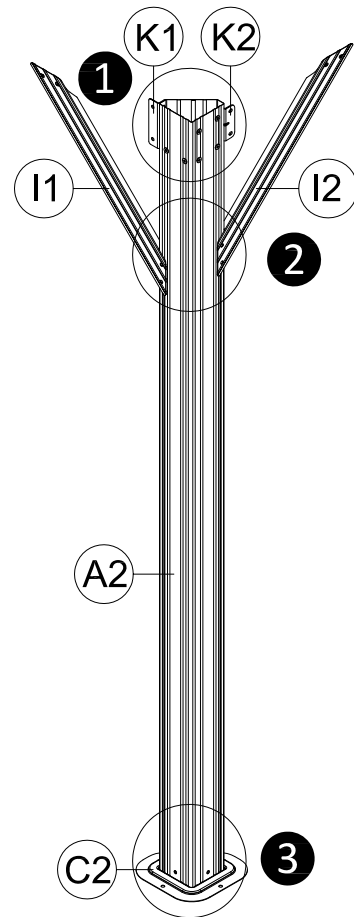
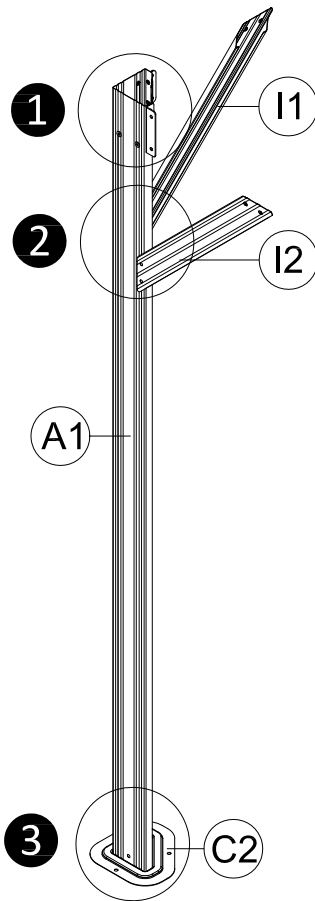
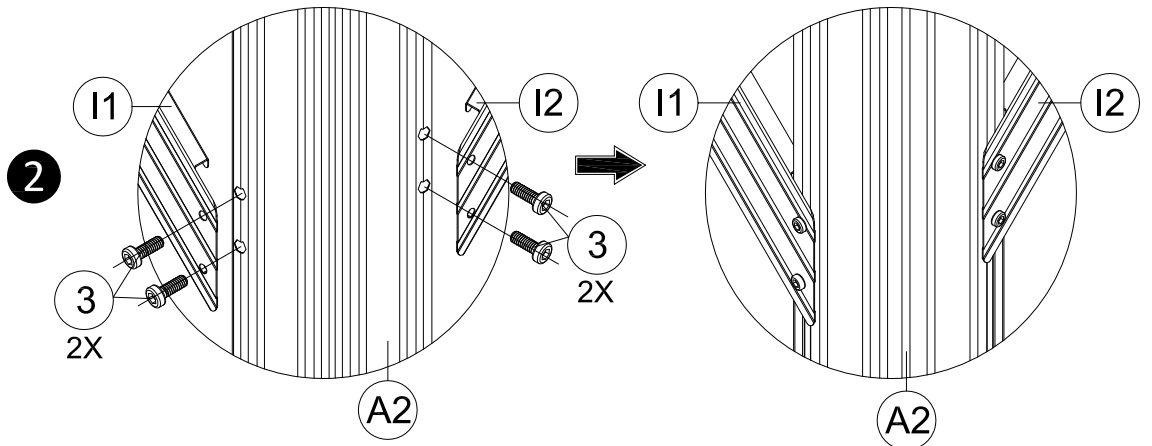


Front Pole Assembly:

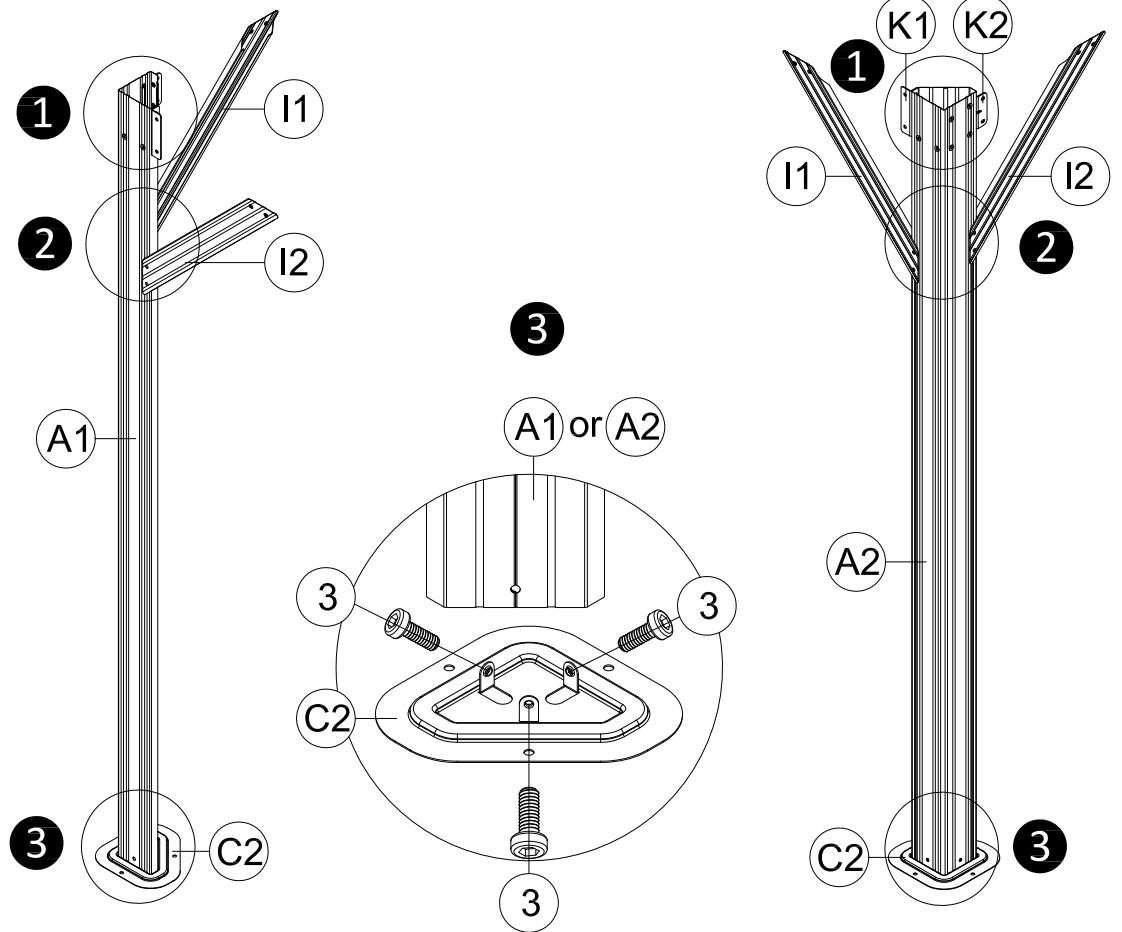
-  A1 1x
-  A2 1x
-  C2 2x
-  I1 2x
-  I2 2x
-  K2 2x
-  K1 2x
-  S4
-  1 1x
-  M6x16
-  3 24x



①: Install the Bracket #K1 and #K2 onto the front Pole #A2, secure them with 5 bolts #3.



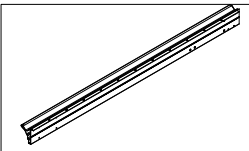
②: Install parts #I1 and #I2 onto #A2, and secure them with 4 bolts #3 (note that the bolts should not be tightened).



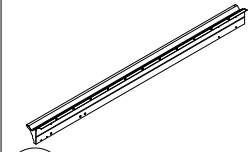
③: Install the Pole #A2 onto the base #C2, secure it with 3 bolts #3.

Repeat above procedures to assemble Pole #A1.

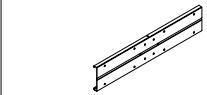
Front Beam Assembly:



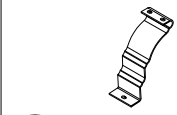
D1 1x



D2 1x



D3 1x



D4 1x



M6x16

3 8x



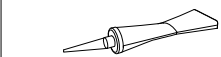
M5x12

9 1x

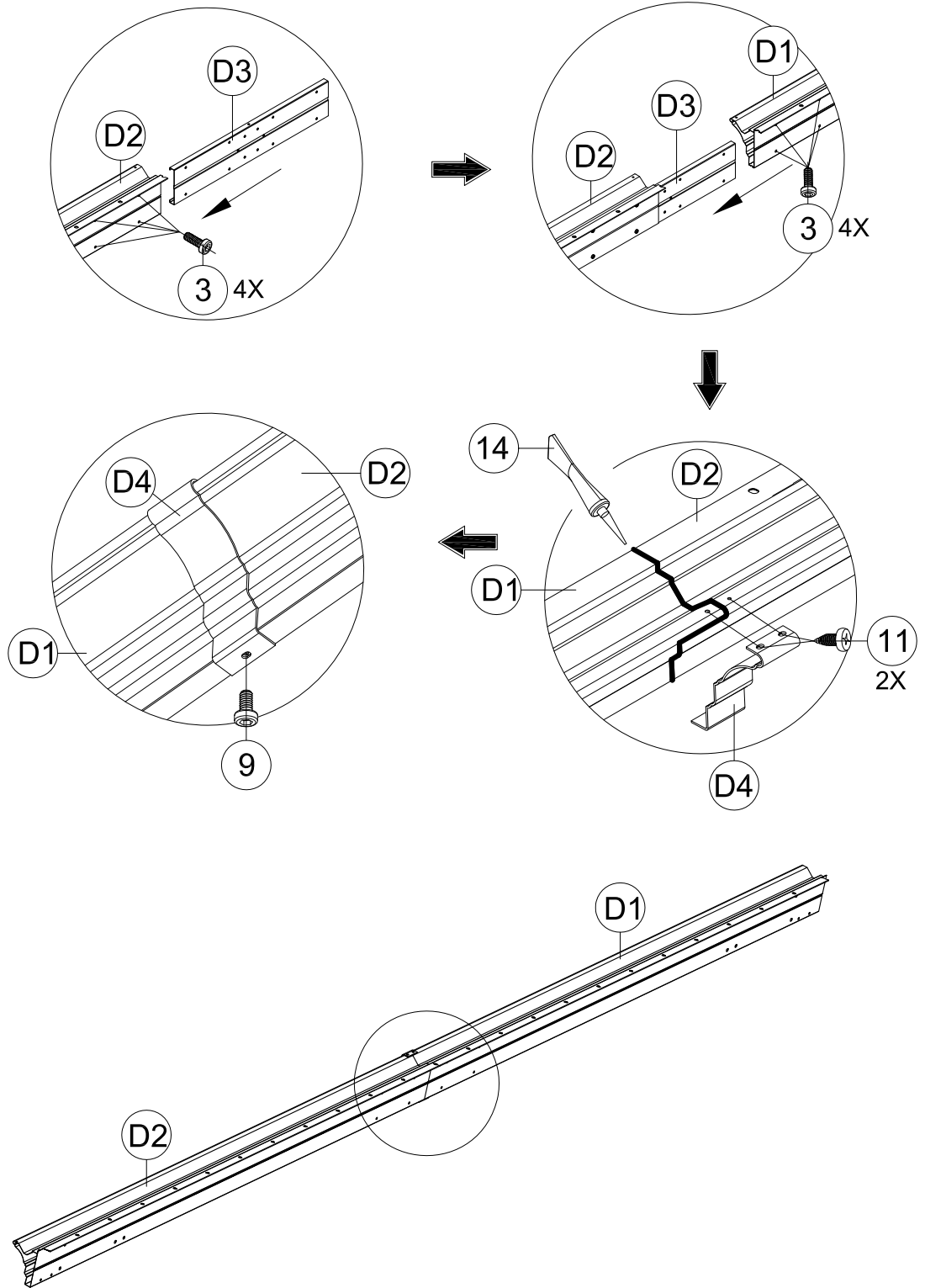


ST4.8x13

11 2x



14 1x



- (1) Insert the Beam Connector #D3 into the front beam #D2, and secure with 4 bolts #3;
- (2) Insert the other side of the Beam Connector #D3 into the front beam #D1, and secure it with 4 bolts #3.
- (3) Apply sealant to the joint between #D1 and #D2. Install the Joint Cover #D4 to the beams #D1 and #D2 by aligning the holes, secure with 2 screws #11 and 1 bolt #9.



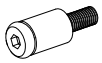
S4

1 1x



M6x16

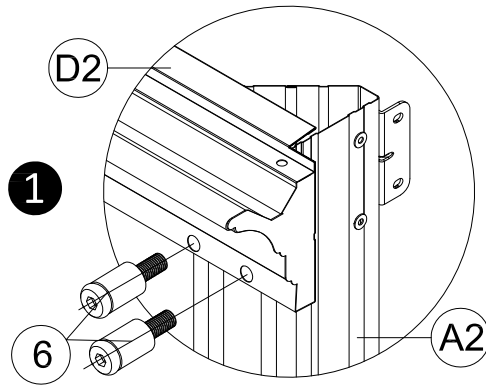
3 8x



M6x30

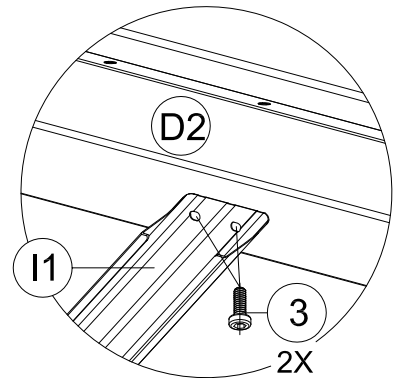
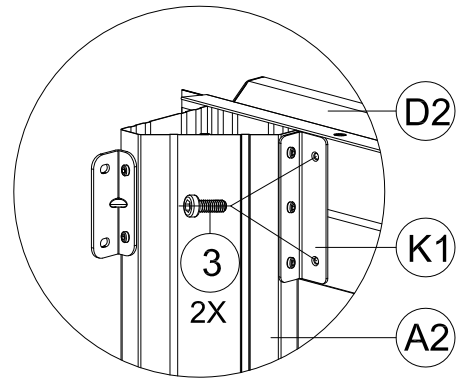
6 4x

Attach the front beam #D2 to the front pole #A2 and secure it with 2 bolts #6.



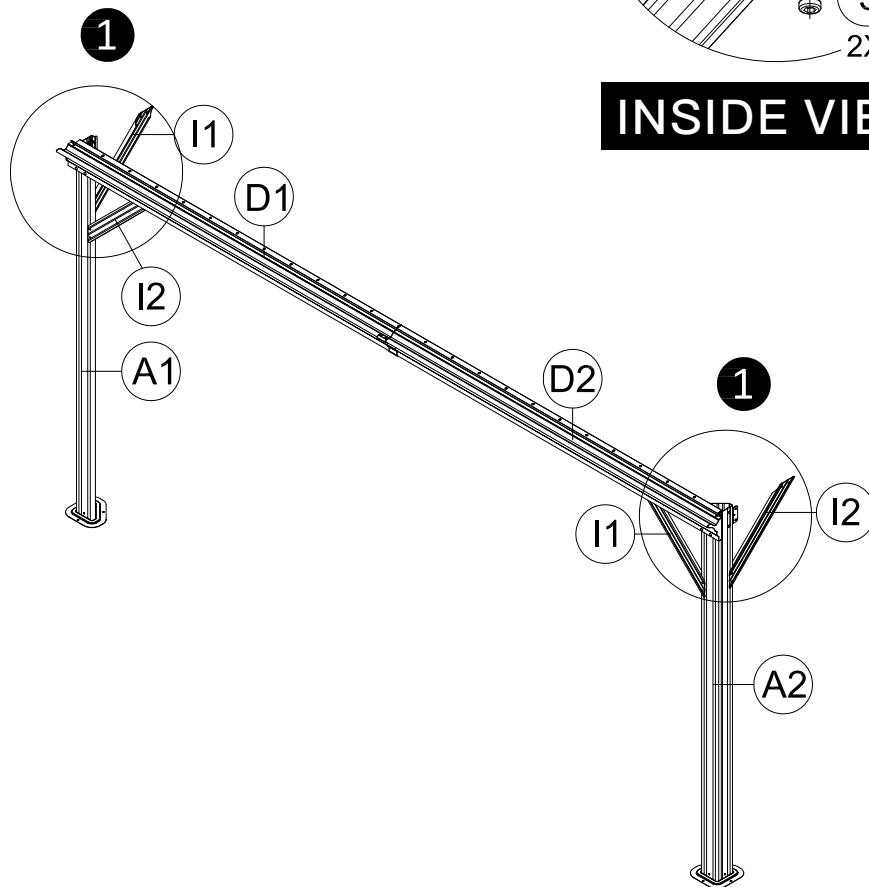
OUTSIDE VIEW

Secure the Bracket #K1 to the front beam #D2 using 2 bolts #3.



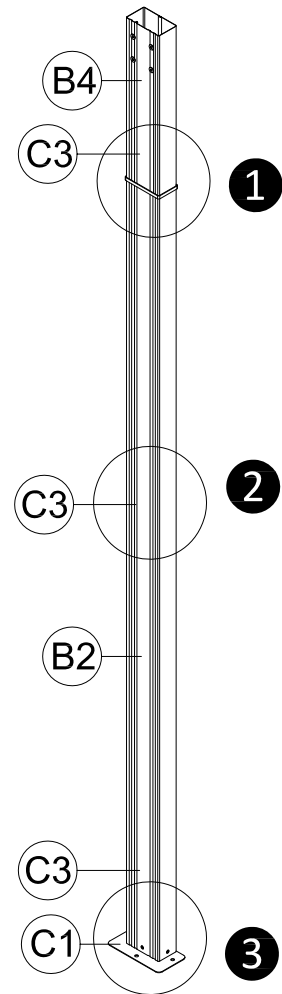
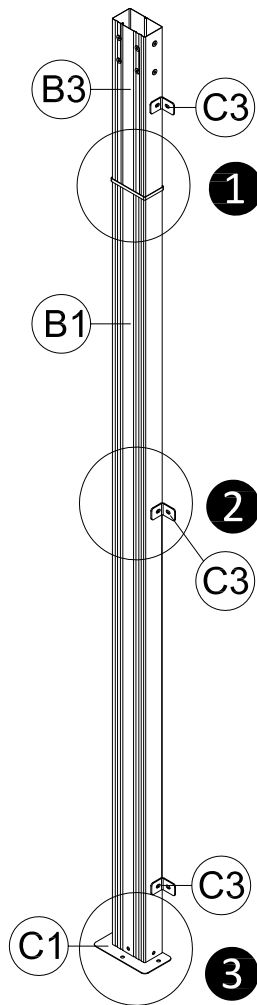
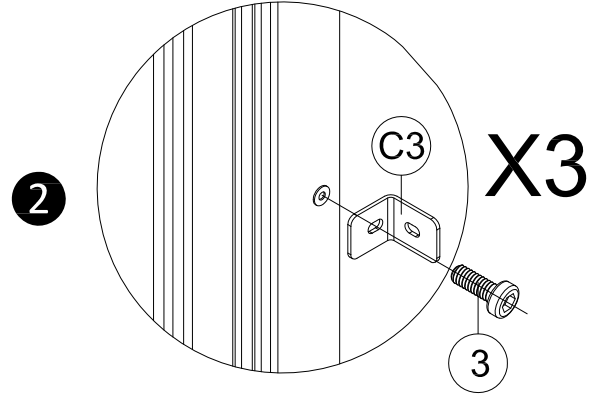
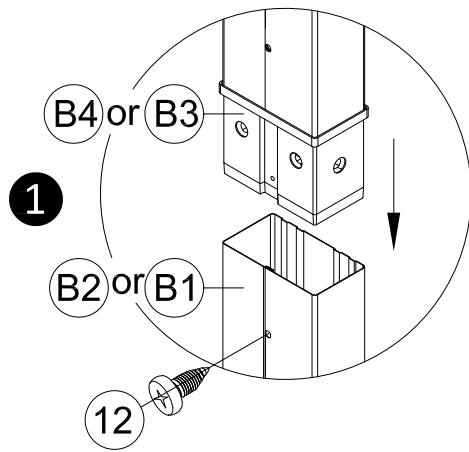
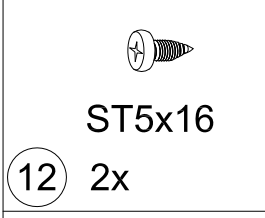
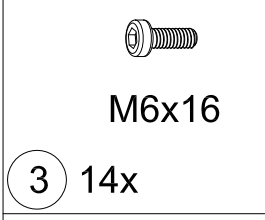
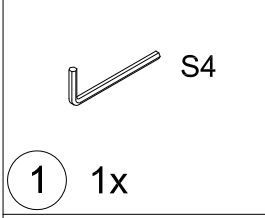
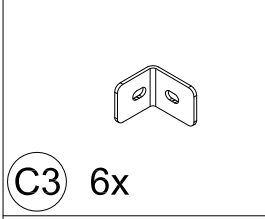
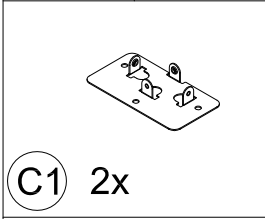
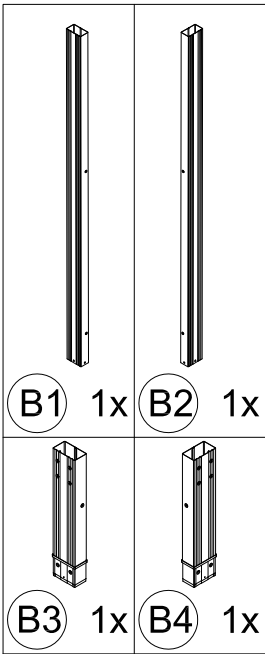
INSIDE VIEW

Use 2 bolts #3 to secure #I1 to the front beam #D2.



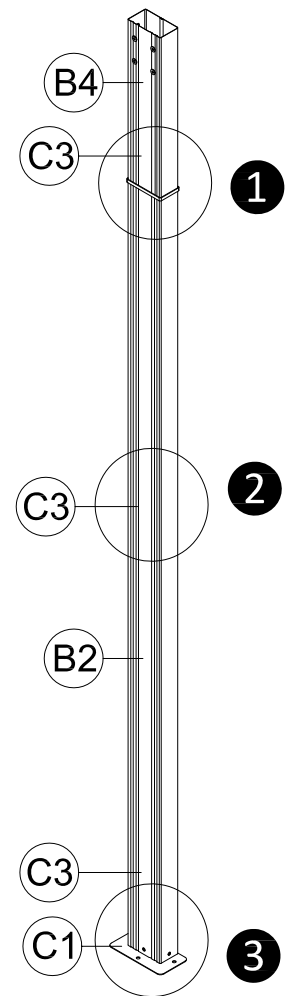
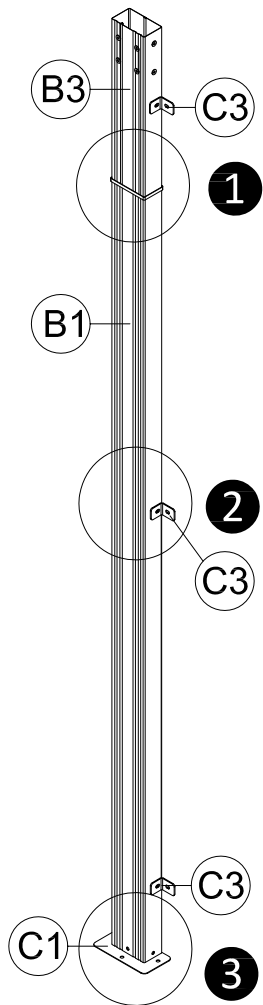
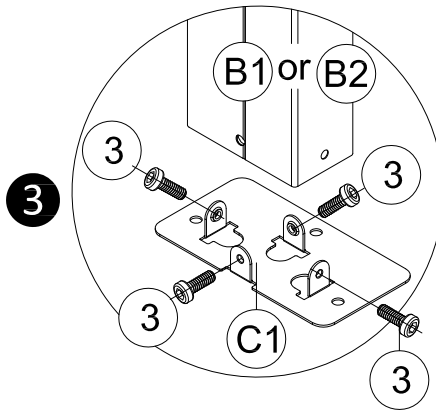
(Note: Do not tighten the bolts).

Repeat above procedures to assemble Pole #A1 with Front Beam #D1.



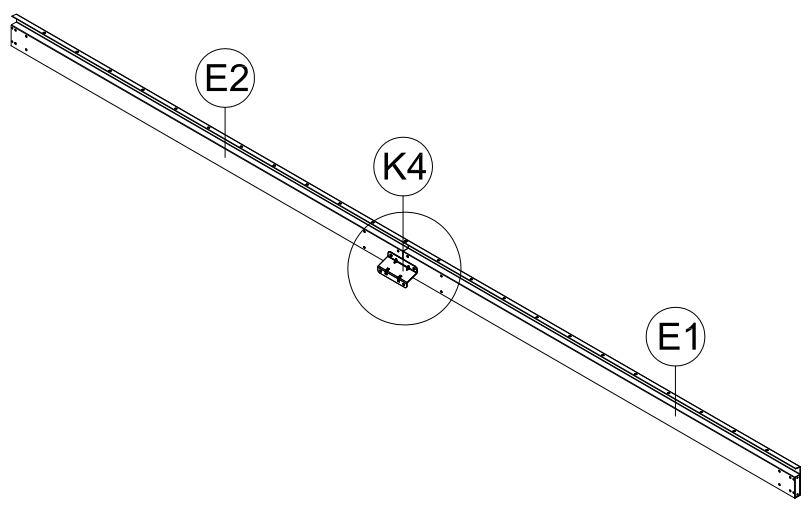
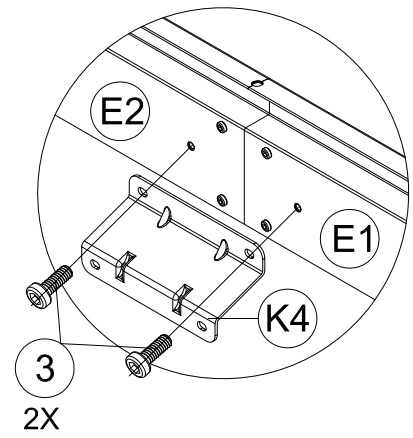
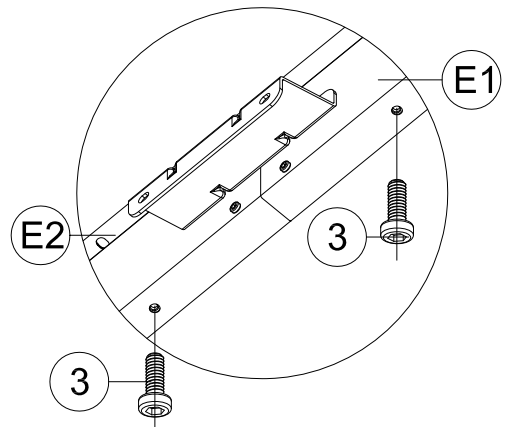
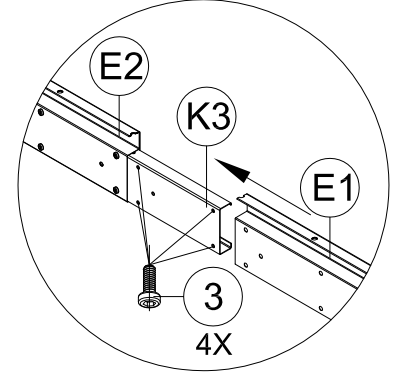
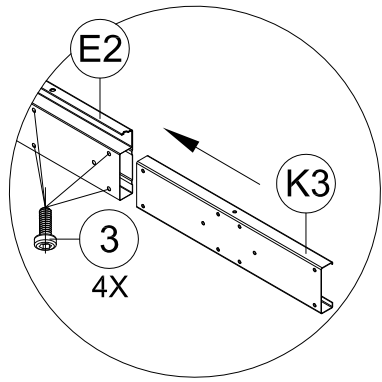
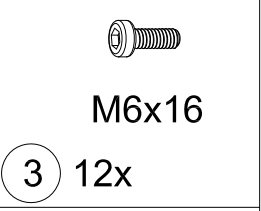
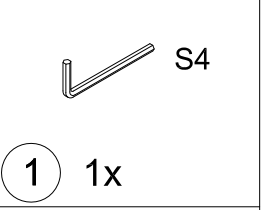
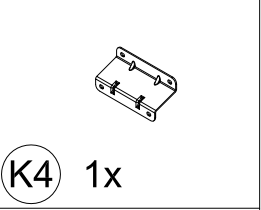
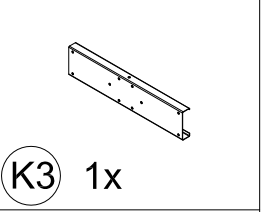
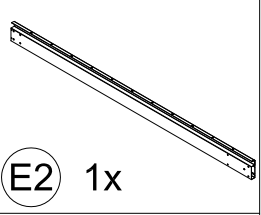
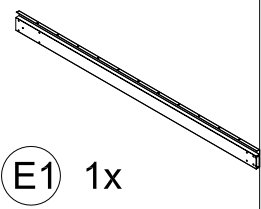
①: Insert the rear pole (upper) #B4 or #B3 into the rear pole (lower) #B2 or B1 and secure it with screws #12.

②: Use bolts #3 to secure Bracket #C3 to the pole. (If you don't consider fixing it to the wall, you can skip this step.) The bracket #C3 is used to fix the post against the wall. You can assemble only 2 pieces for each post according to the actual installation situation.



③: Use 4 bolts #3 to secure base #C1 to Pole #B1 and #B2.

Rear Beam Assembly:

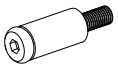


- (1) Insert the Beam Connector #K3 into the rear beam #E2, and secure it with 4 bolts #3;
- (2) Insert the other side of the Beam Connector #K3 into the rear beam #E1, and secure it with 4 bolts #3.
- (3) Align the holes and use 2 bolts #3 to secure #K4 to the Rear Beam #E2 & E1.
- (4) Secure the bottom of the rear beam with 2 bolts #3.



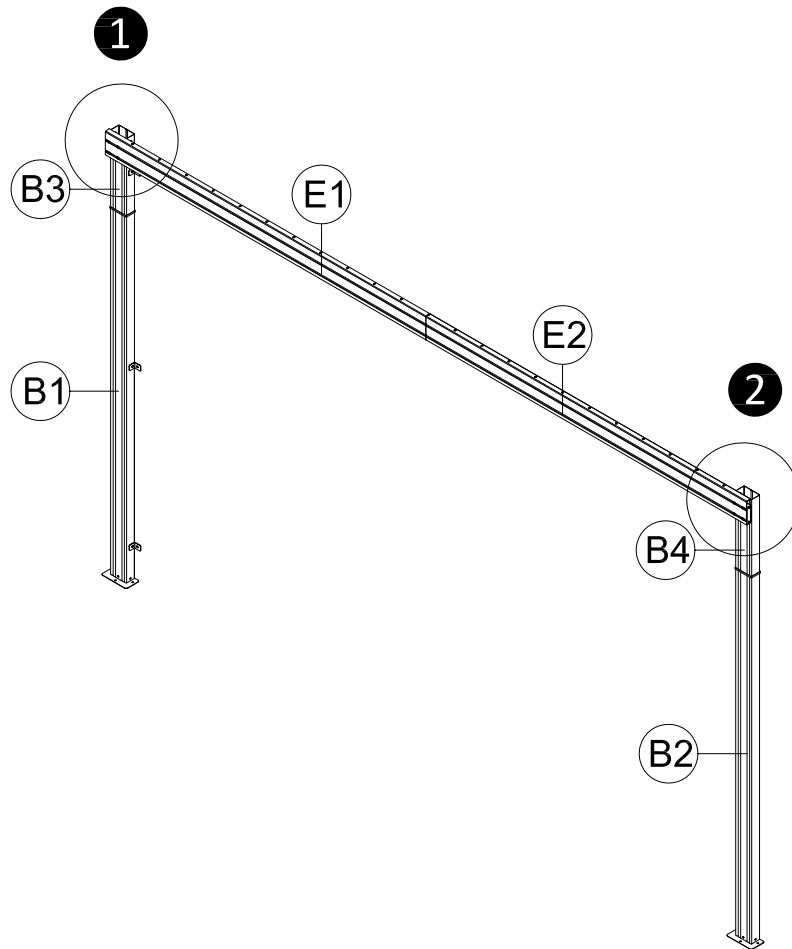
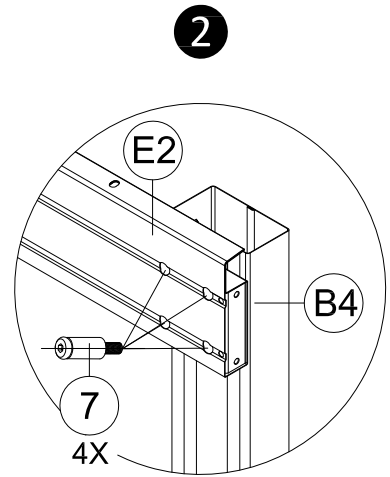
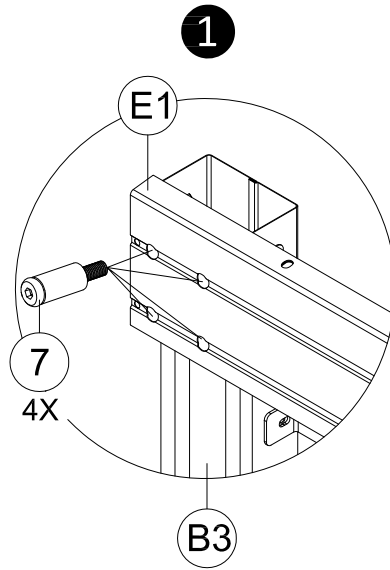
S4

① 1x



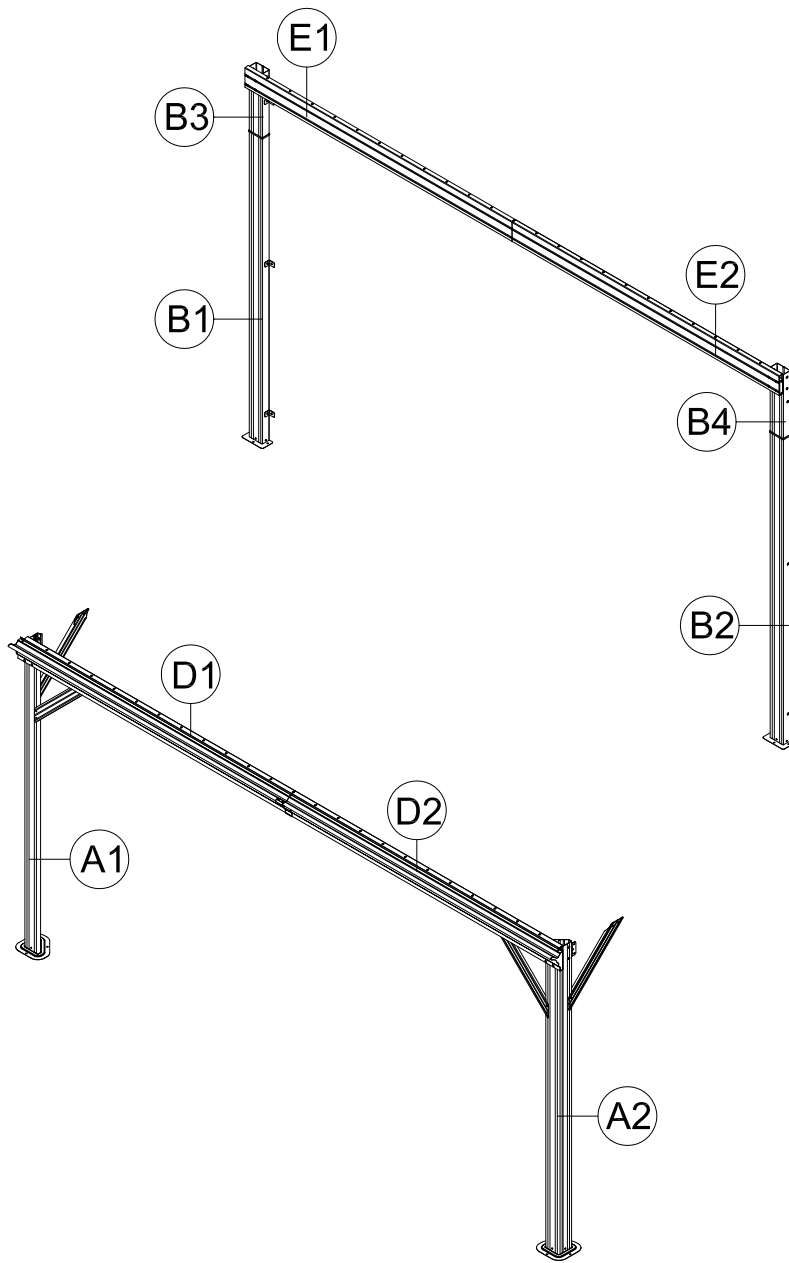
M6x40

⑦ 8x

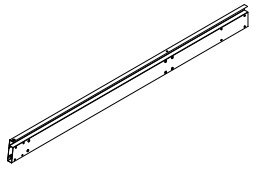


①: Attach the rear beam #E1 to the rear pole #B3 and secure it with 4 bolts #7.

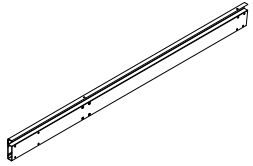
②: Attach the rear beam #E2 to the rear pole #B4 and secure it with 4 bolts #7.



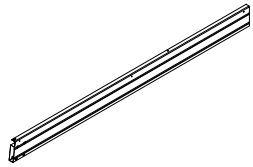
Side Beam Assembly:



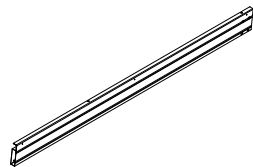
G1 1x



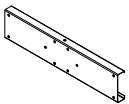
G2 1x



H1 1x



H2 1x



K3 2x



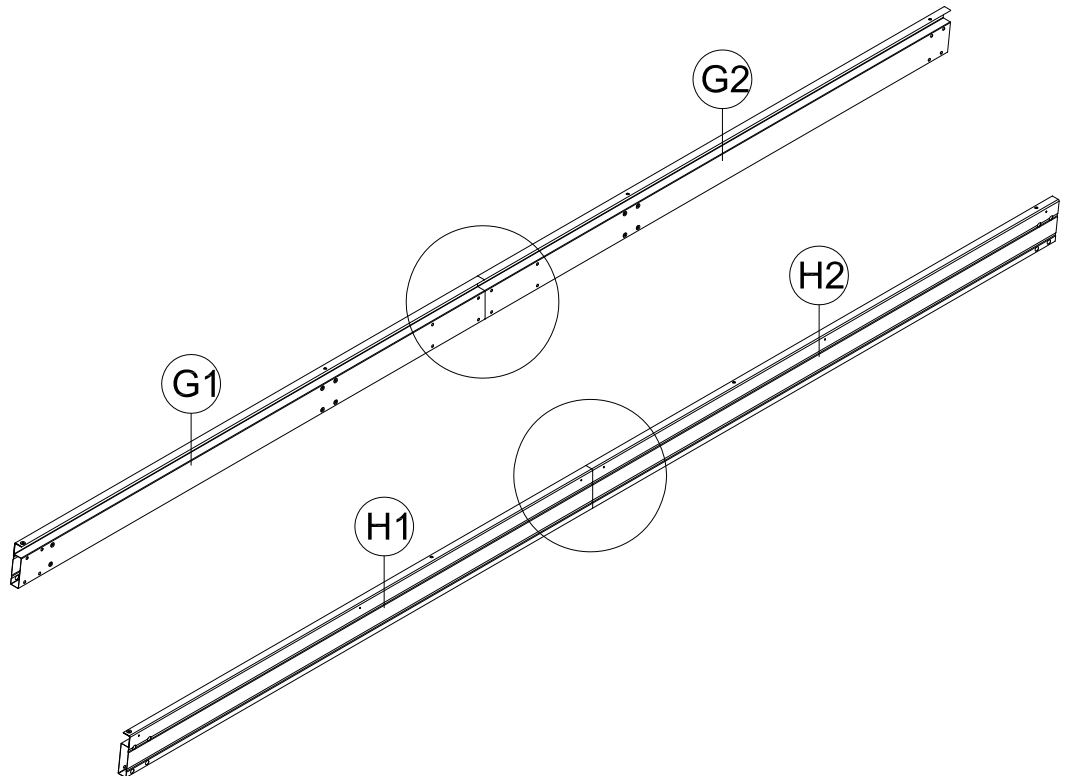
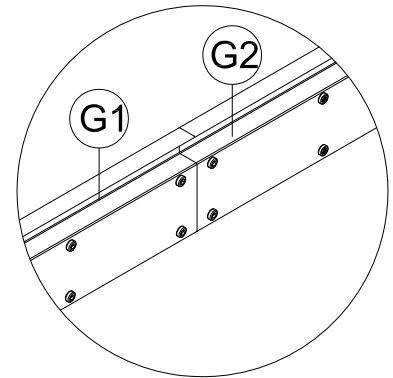
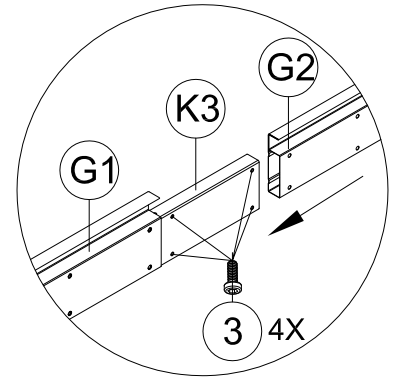
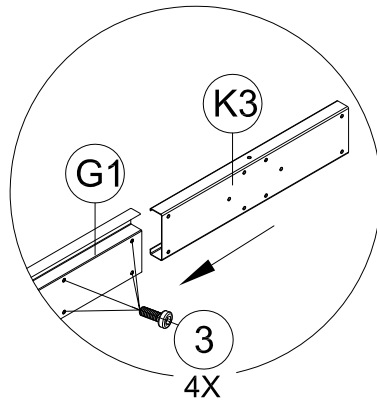
1 1x



M6x16

3 16x

11



- (1) Insert the Beam Connector #K3 into the side beam #G1, and secure with 4 bolts #3;
 - (2) Insert the other side of the Beam Connector #K3 into the side beam #G2, and secure with 4 bolts #3.
- Repeat above procedures to assemble #H1 with #H2.



1 1x



M6x16

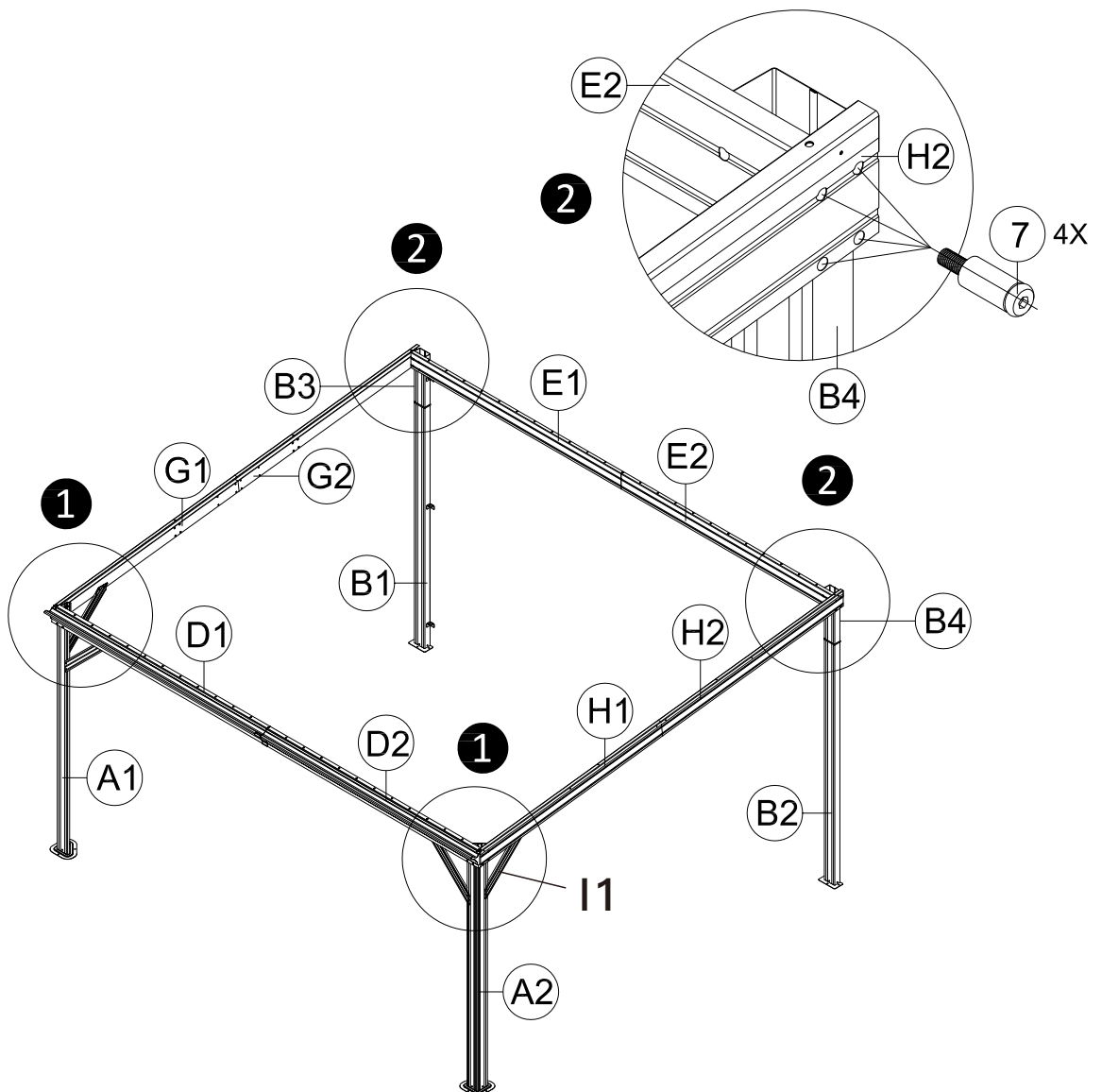
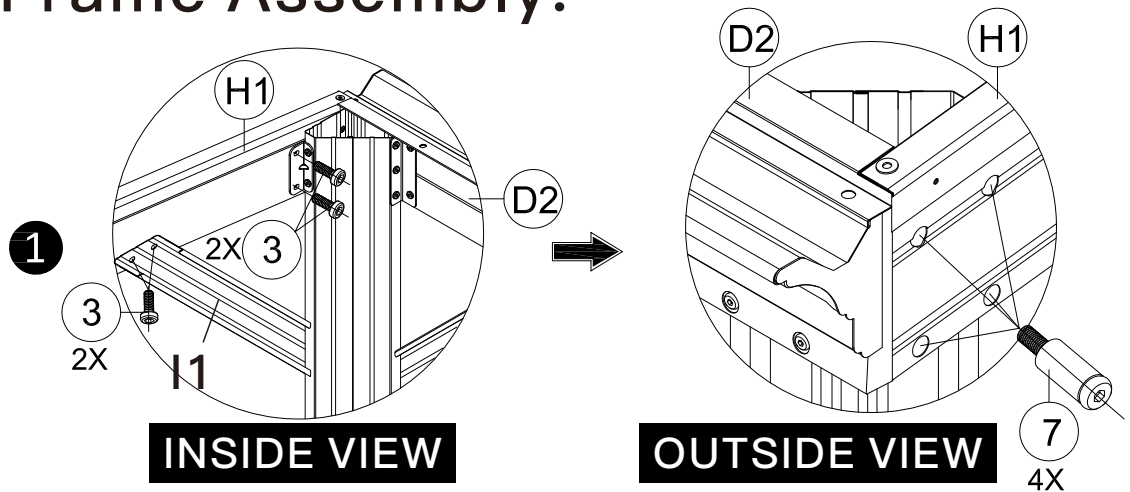
3 8x



M6x40

7 16x

Frame Assembly:

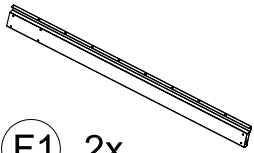


① (1) Use 2 bolts #3 to connect Corner Solidifying Bar #I1 with Side Beam #H1.

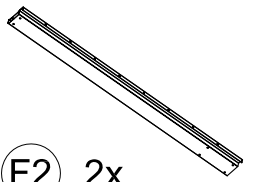
(2) Use 4 bolts #7 to connect Side Beam #H1 and #D2. Repeat above procedures to assemble #G1 and #D1.

② Use 4 bolts #7 to connect Side Beam #H2 and #E2. Repeat above procedures to assemble #E1 and #B3.

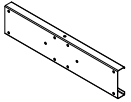
Centre Beam Assembly:



F1 2x



F2 2x



K3 2x



K5 8x



S4

1 1x



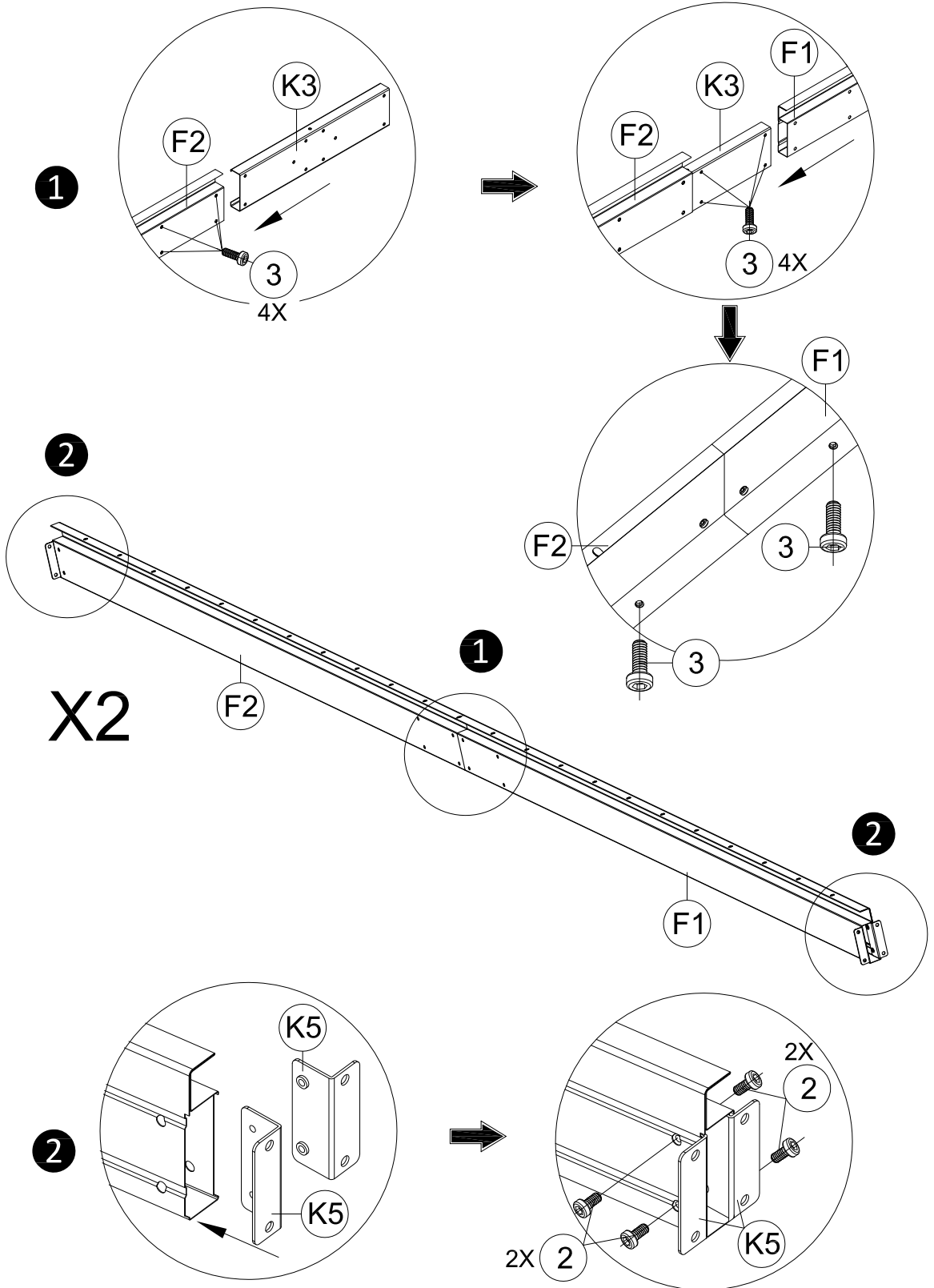
M6x12

2 16x



M6x16

3 20x



- ① (1) Insert the Beam Connector #K3 into the center beam #F2 and secure it with 4 bolts #3;
- (2) Insert the other side of the Beam Connector #K3 into the center beam #F1 , and secure it with 4 bolts #3.
- (3) Secure it at the bottom with bolts #3 as shown.
- ② Combine the Bracket #K5 as shown and insert it into #F1 or #F2, and secure it with 2 bolts #2 on each side.



S4

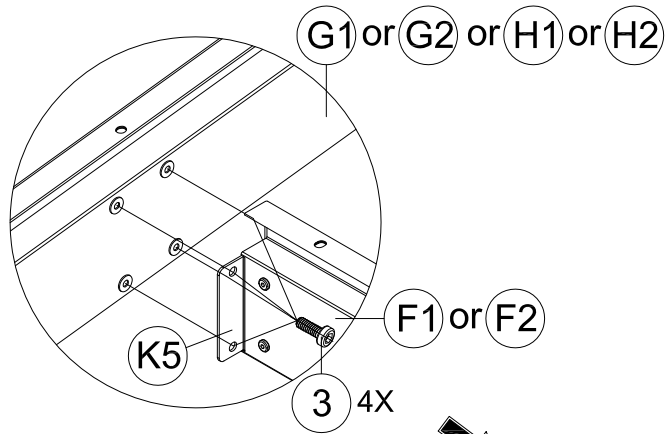
1 1x



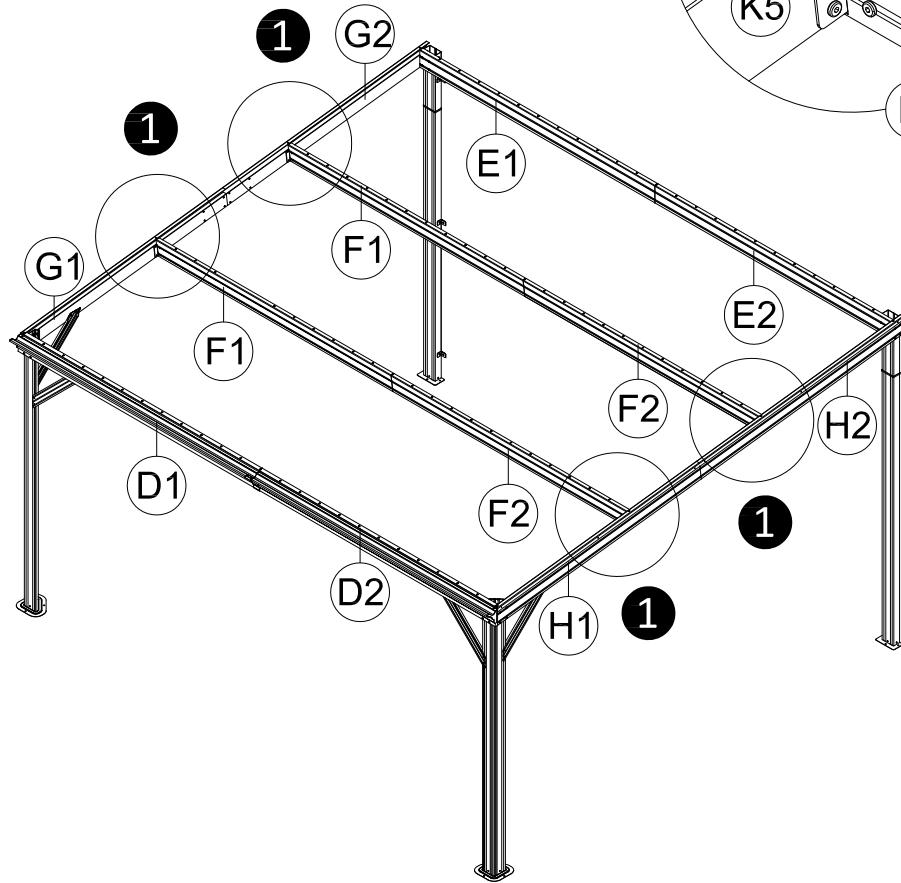
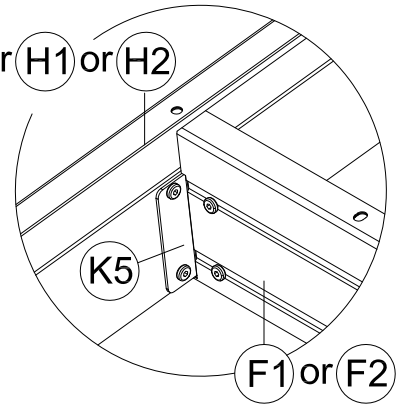
M6x16

3 16x

1

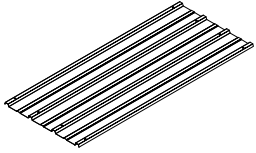


G1 or G2 or H1 or H2



Assemble the middle beam #F1 or #F2 with the side beam #G1 or # G2 or #H1 or H2 using Bracket #K5, and secure them with 4 bolts #3.

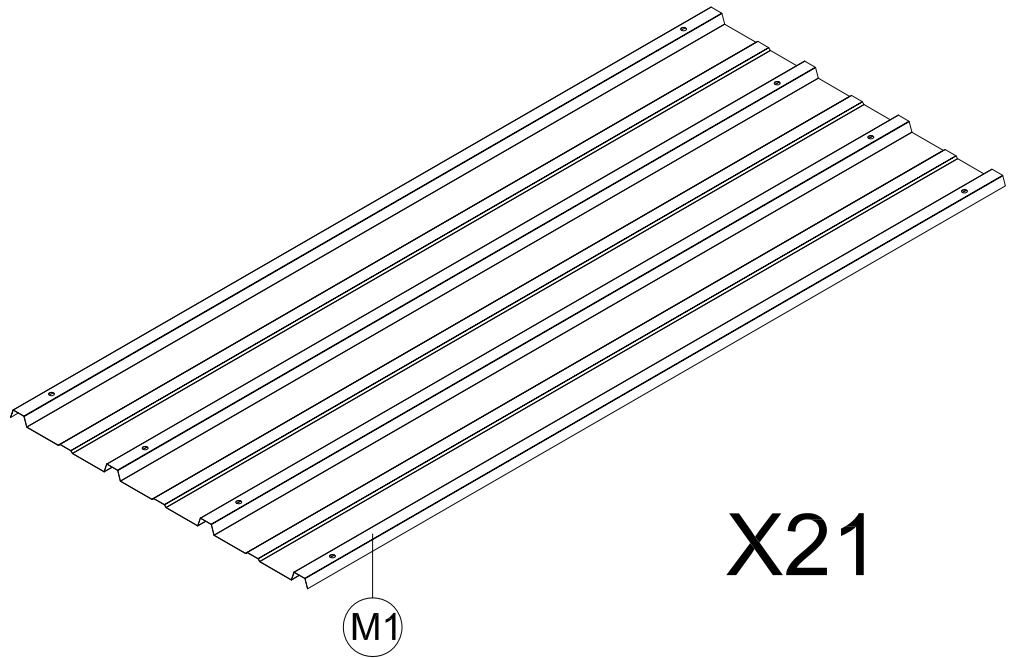
Note: Please don't fully tighten the bolts until all the bolts have been screwed in place.

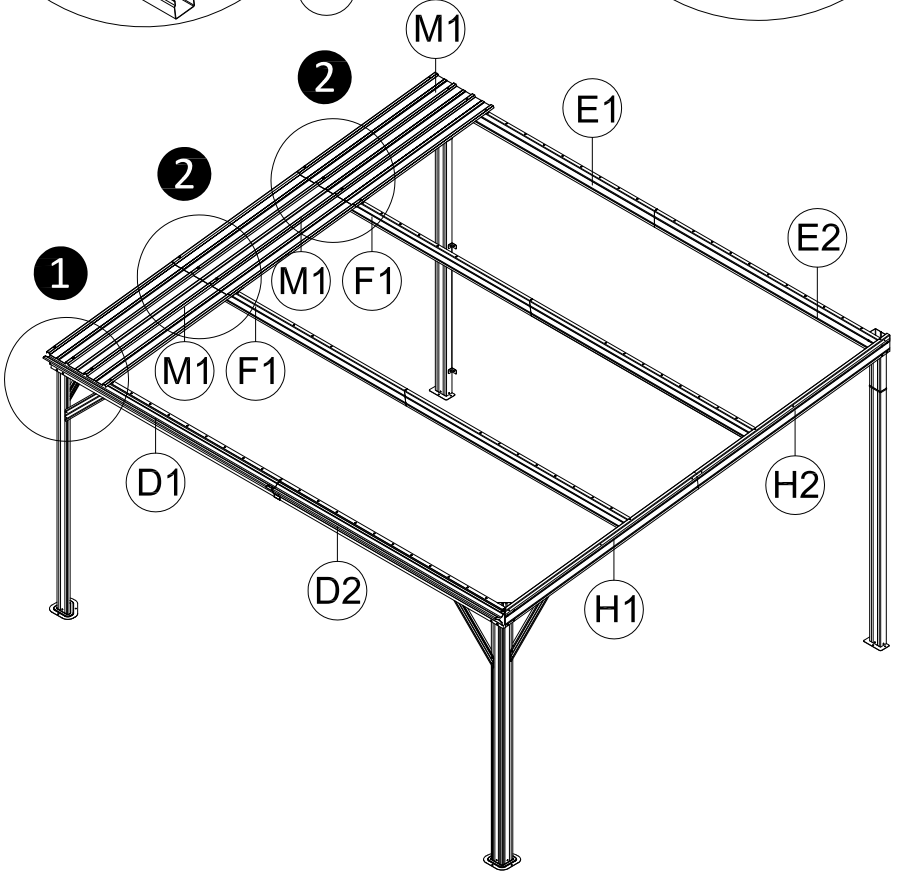
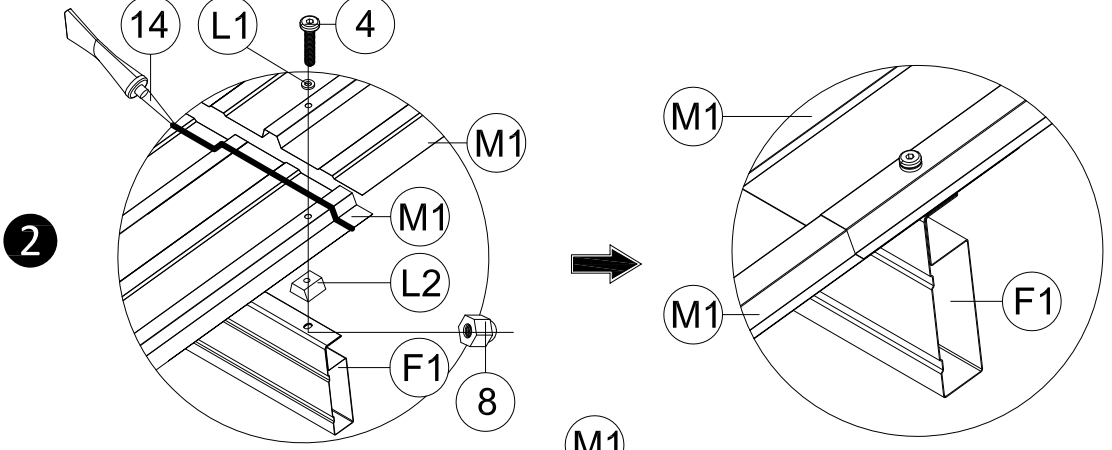
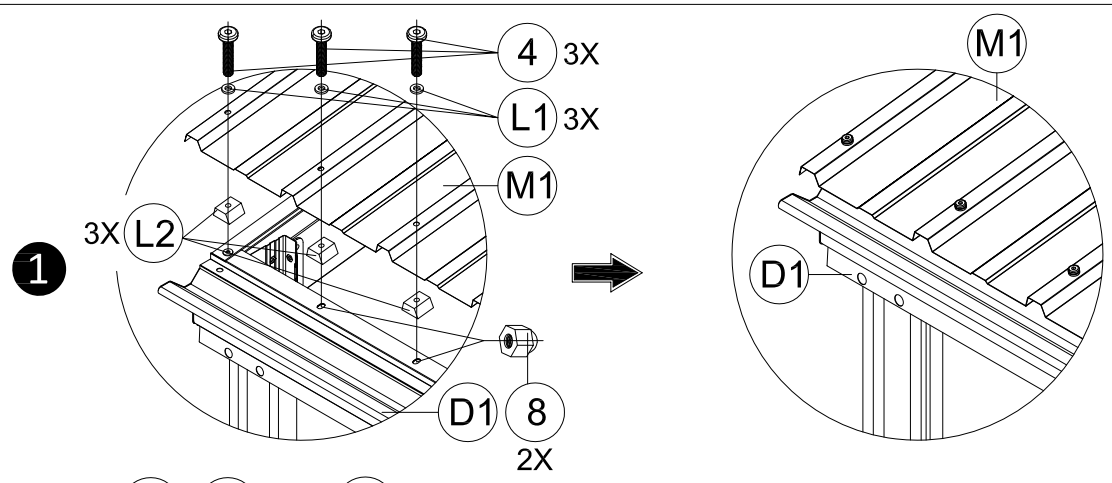
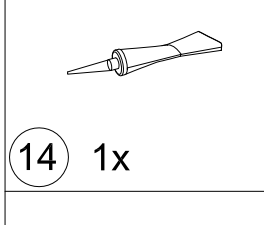
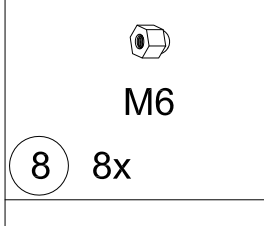
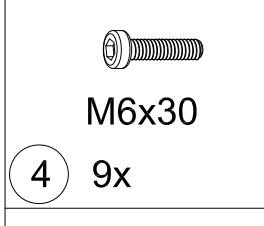
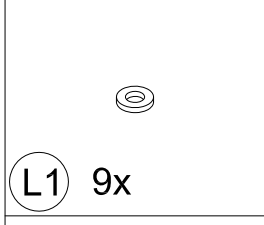
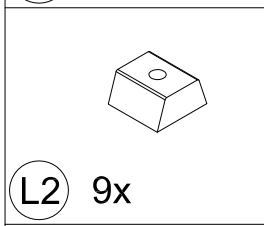
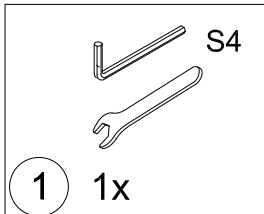


Roof Panel Assembly:

Remove the protective film of the panels before installing the roofing panels.

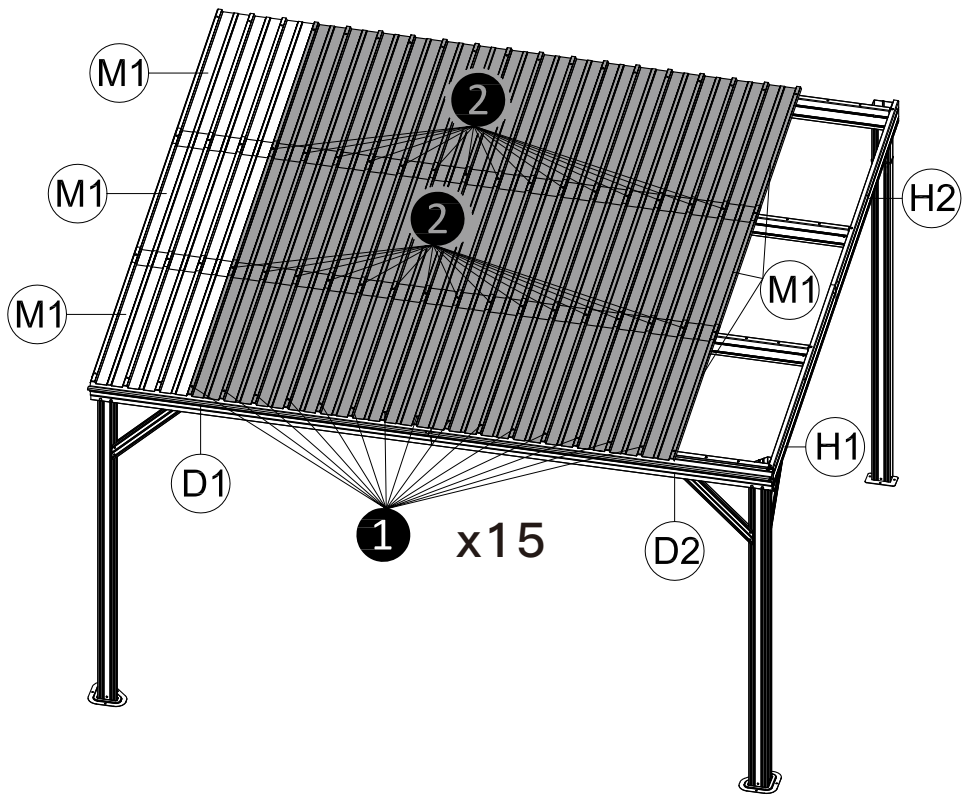
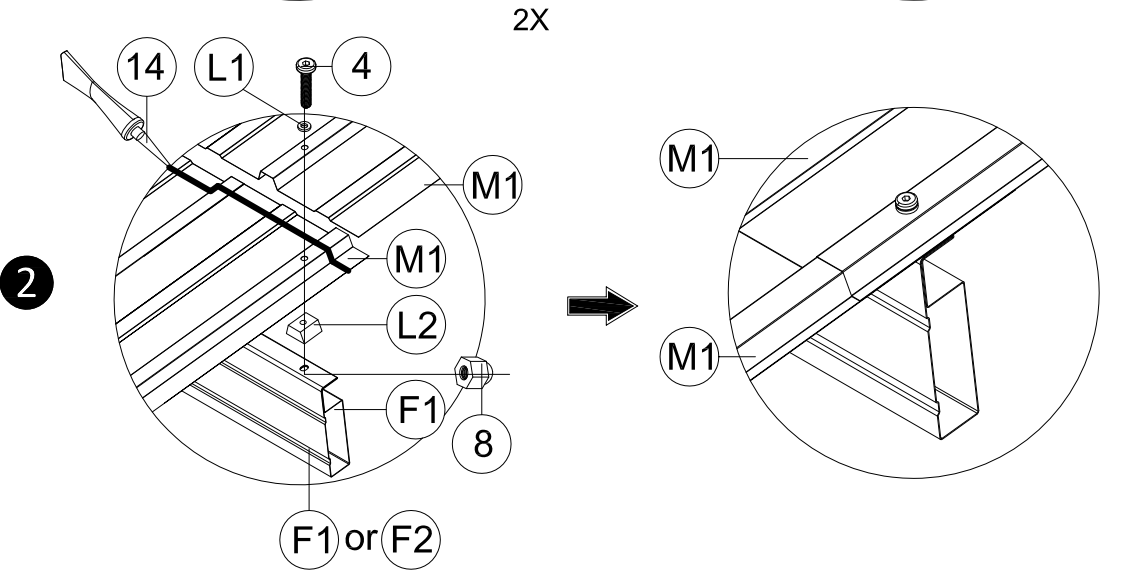
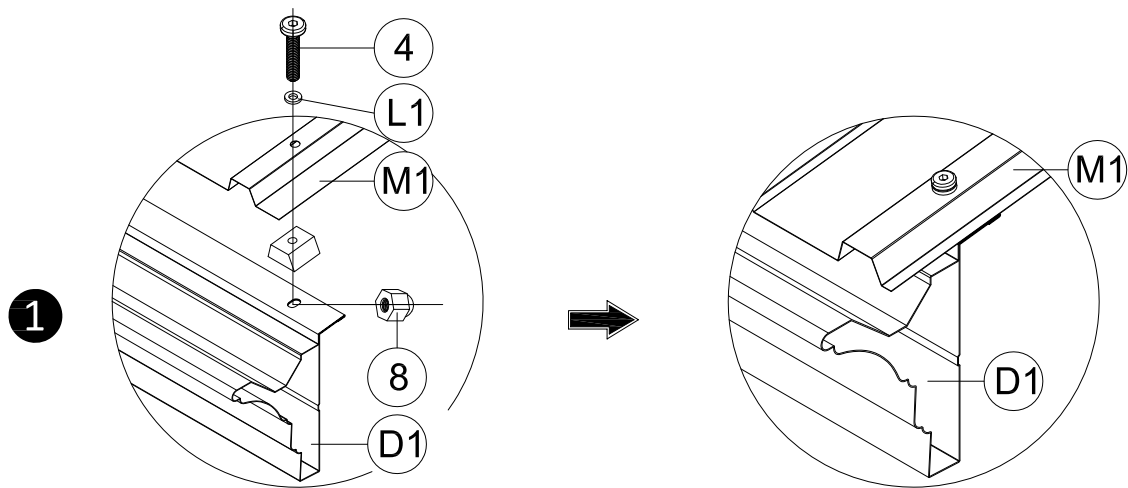
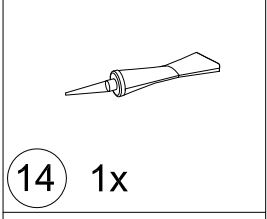
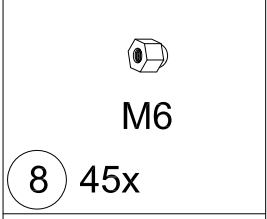
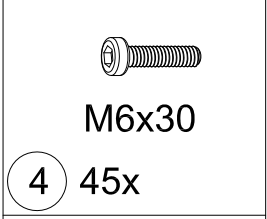
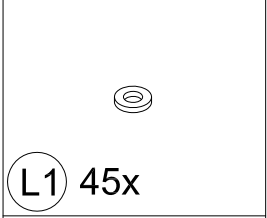
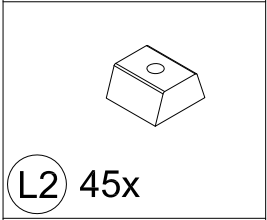
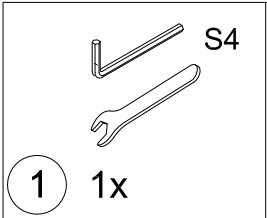
M1 21x





① Install in the order of "Black Rubber #L2, Roof Panels #M1, Rubber gaskets #L1, bolts #4" as shown, and connect with the front beam #D1. Secure the bottom with Nuts #8.

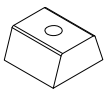
② Apply sealant #14 to the first row of roof panels as shown. Follow the steps of the first row to install the second and third row of roof panels and fix with bolts and nuts.



Repeat above procedures to assemble the 15 Roof Panels #M1.
The connection point should apply with silicon sealant.



1 1x



L2 12x



L1 12x



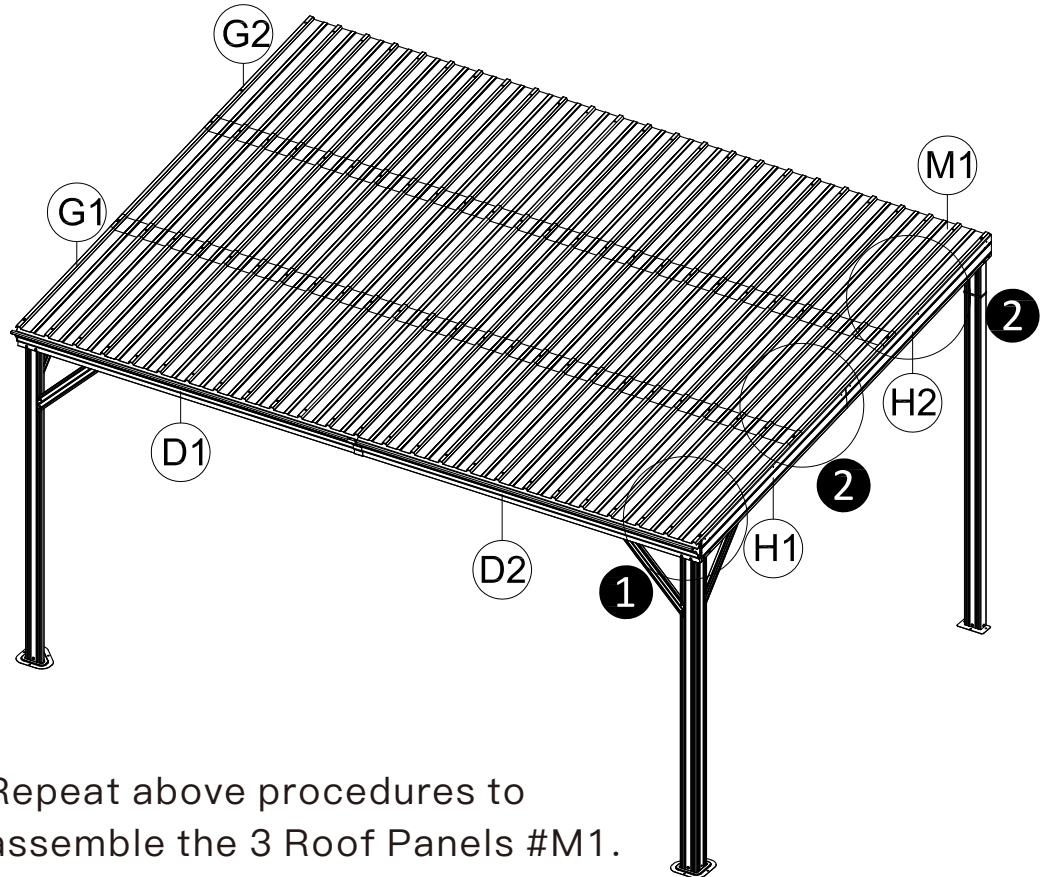
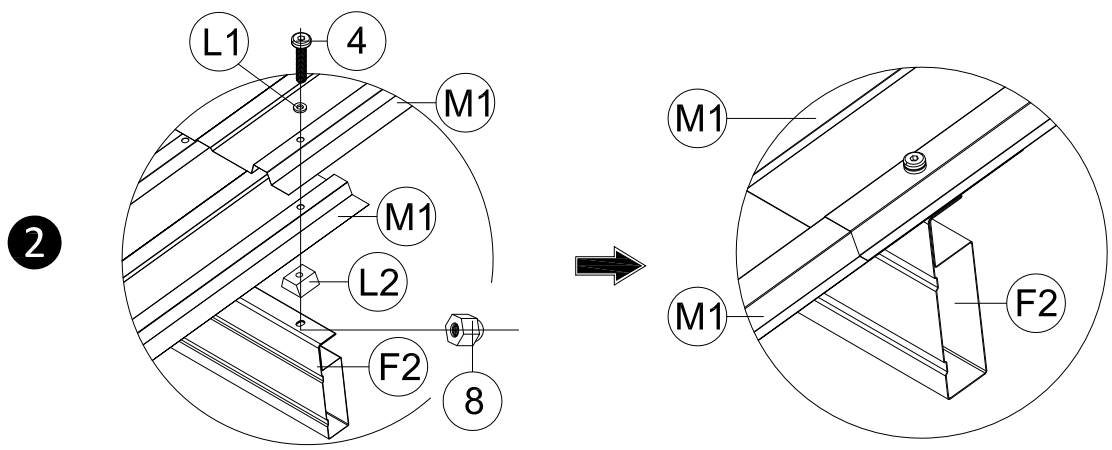
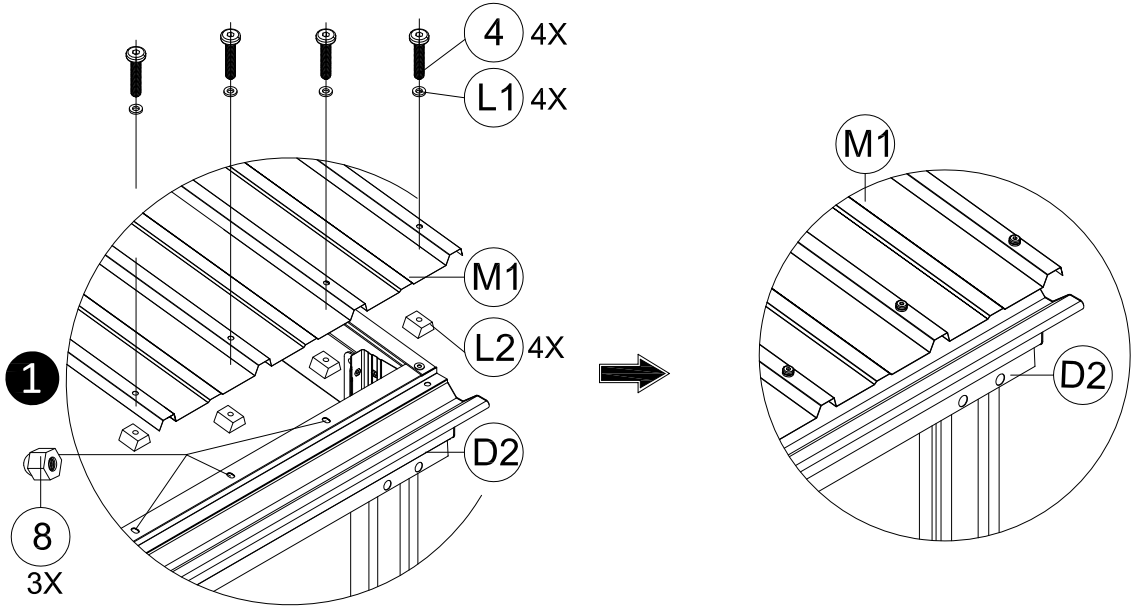
M6x30

4 12x

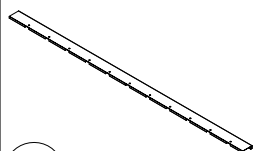


M6

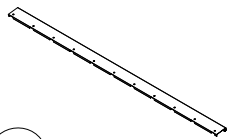
8 11x



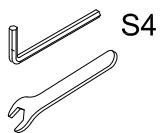
Repeat above procedures to assemble the 3 Roof Panels #M1.



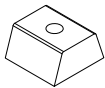
J1 2x



J2 1x



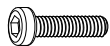
1 1x



L2 22x



L1 22x



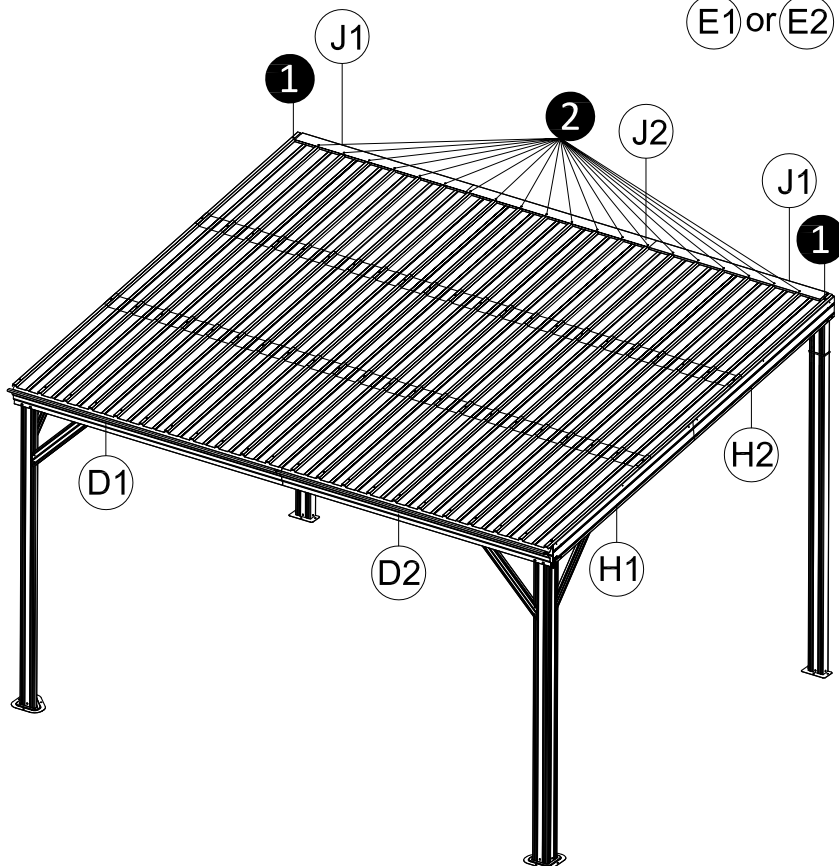
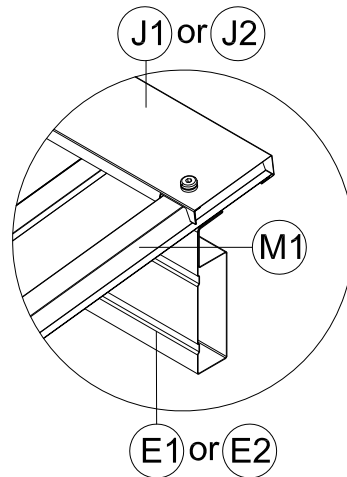
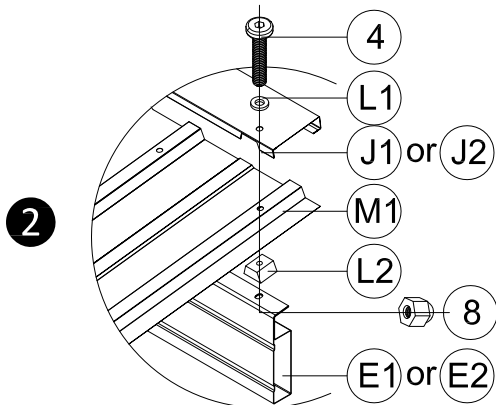
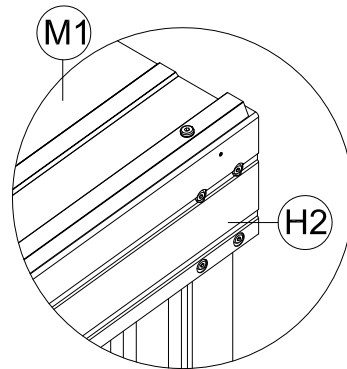
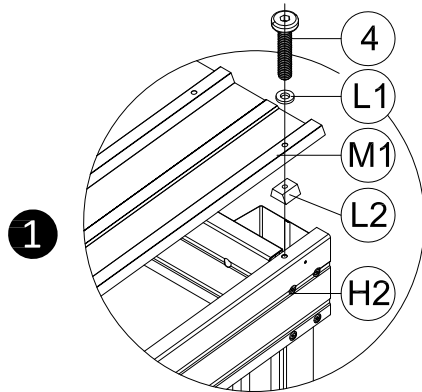
M6x30

4 22x



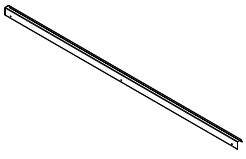
M6

8 20x



①: Place the rubber spacer #L2 between the beam and the roof panel #M1, and secure it using bolts #4 along with rubber gaskets #L1.

②: Place Roof Cover #J1 & J2 on the higher side of the roof. Insert rubber spacer #L2 into the gap between the beam and the roof panels. Secure with bolt #4, rubber gaskets #L1, and nuts #8.

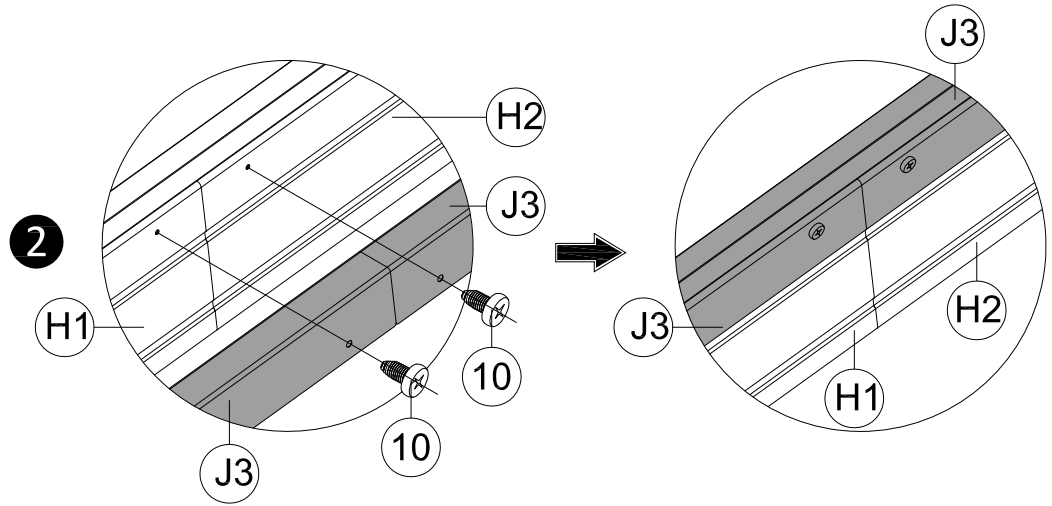
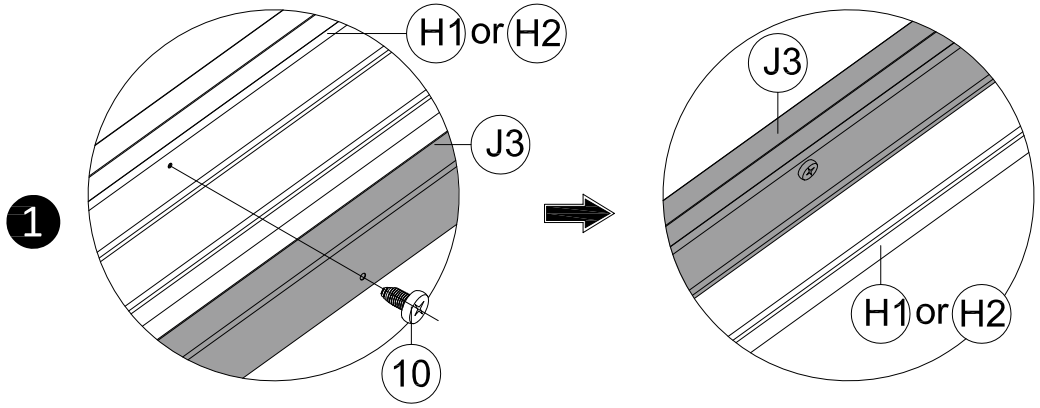


J3 4x

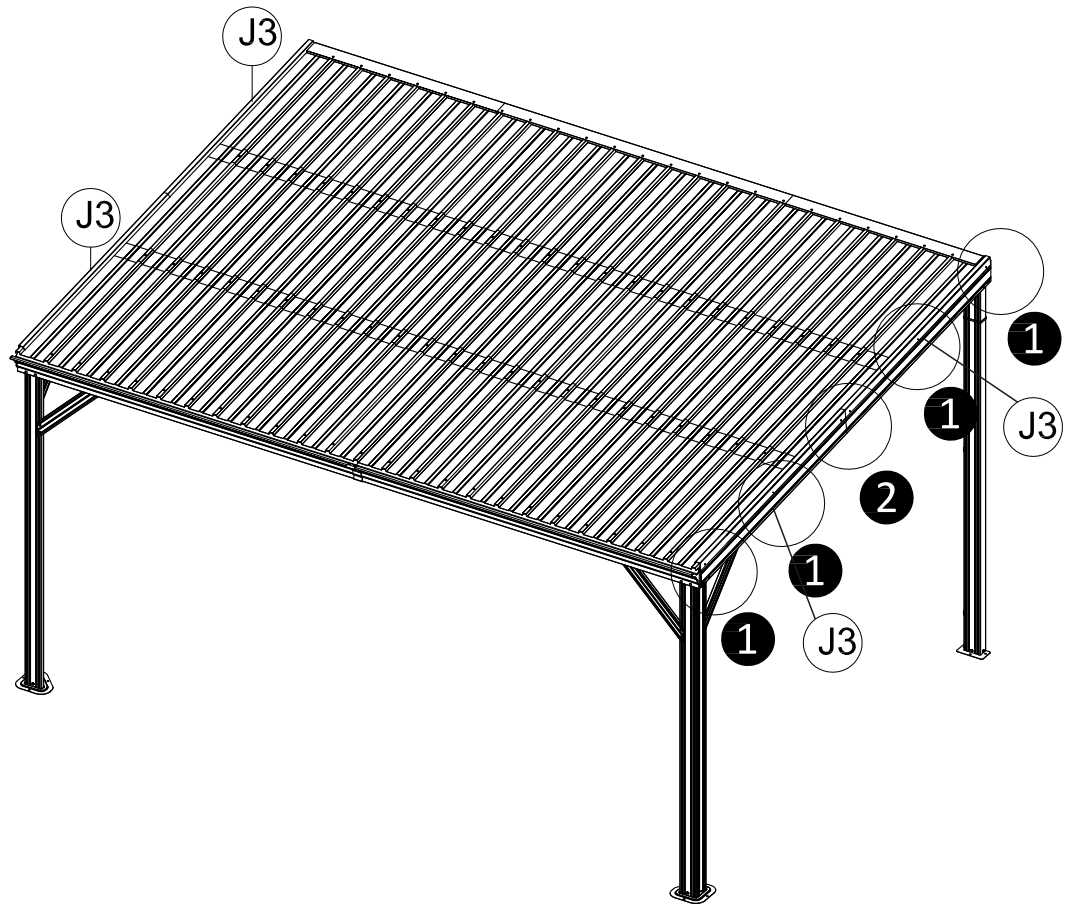


B型ST4. 2x10

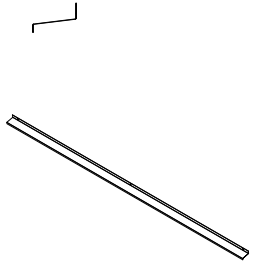
10 12x



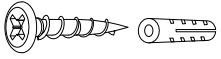
Side Roof Cover Assembly:



Installation of the rear drip rail

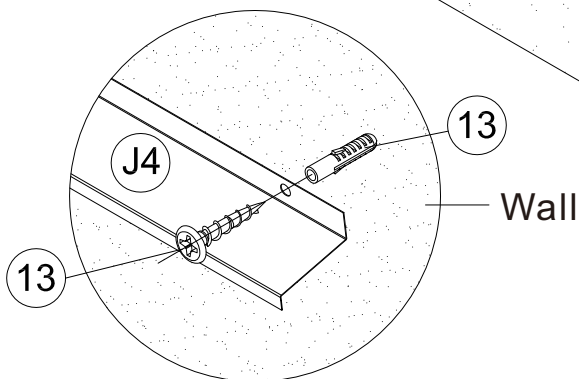
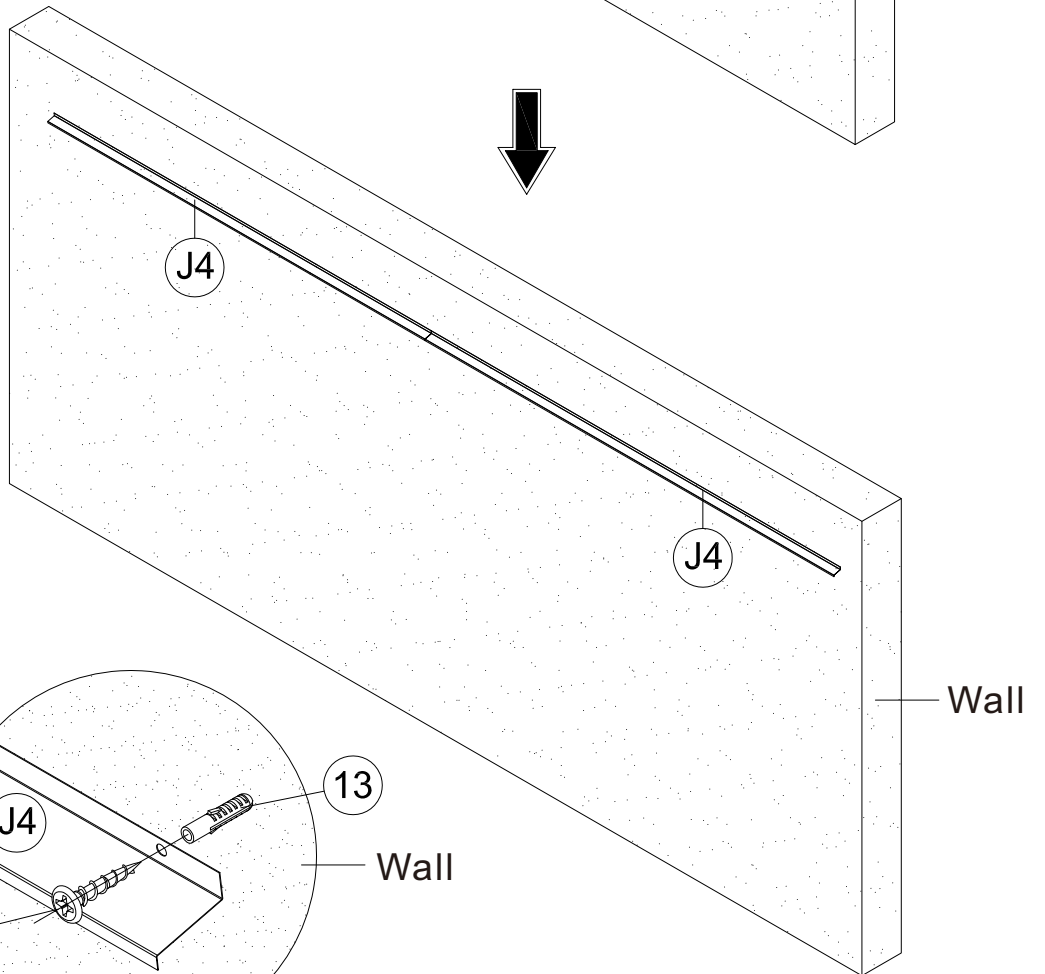
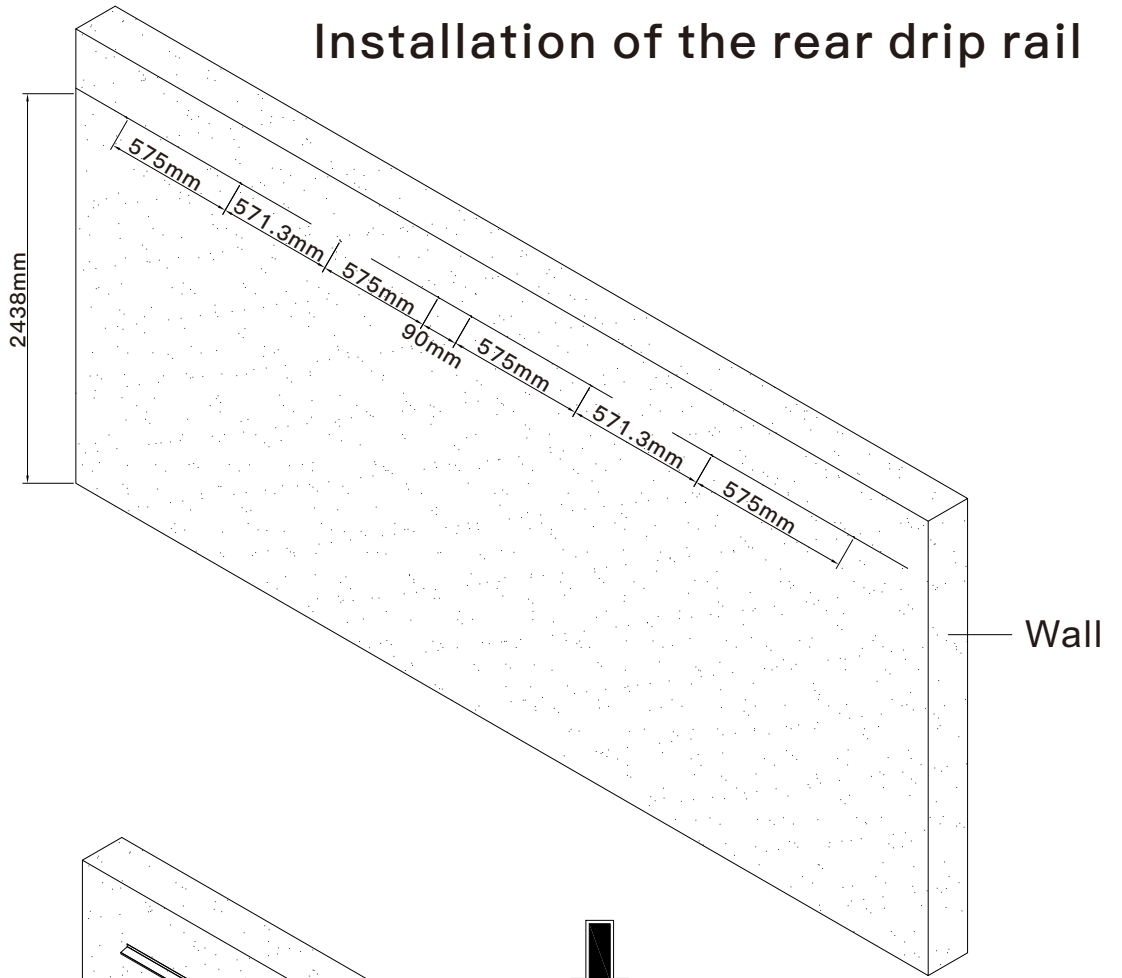


J4 2x



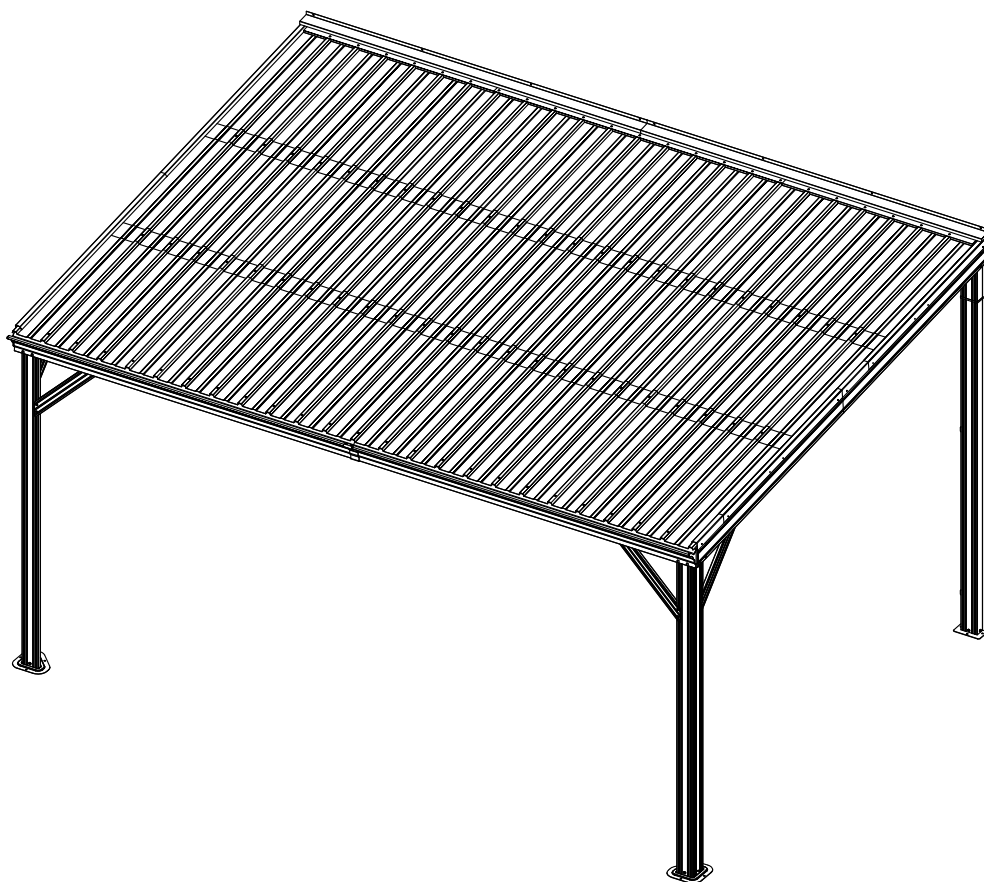
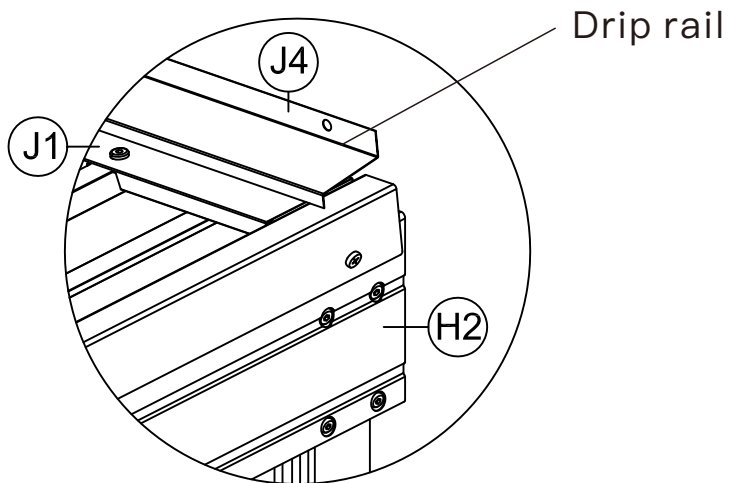
M6x70

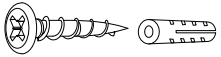
13 8x



21

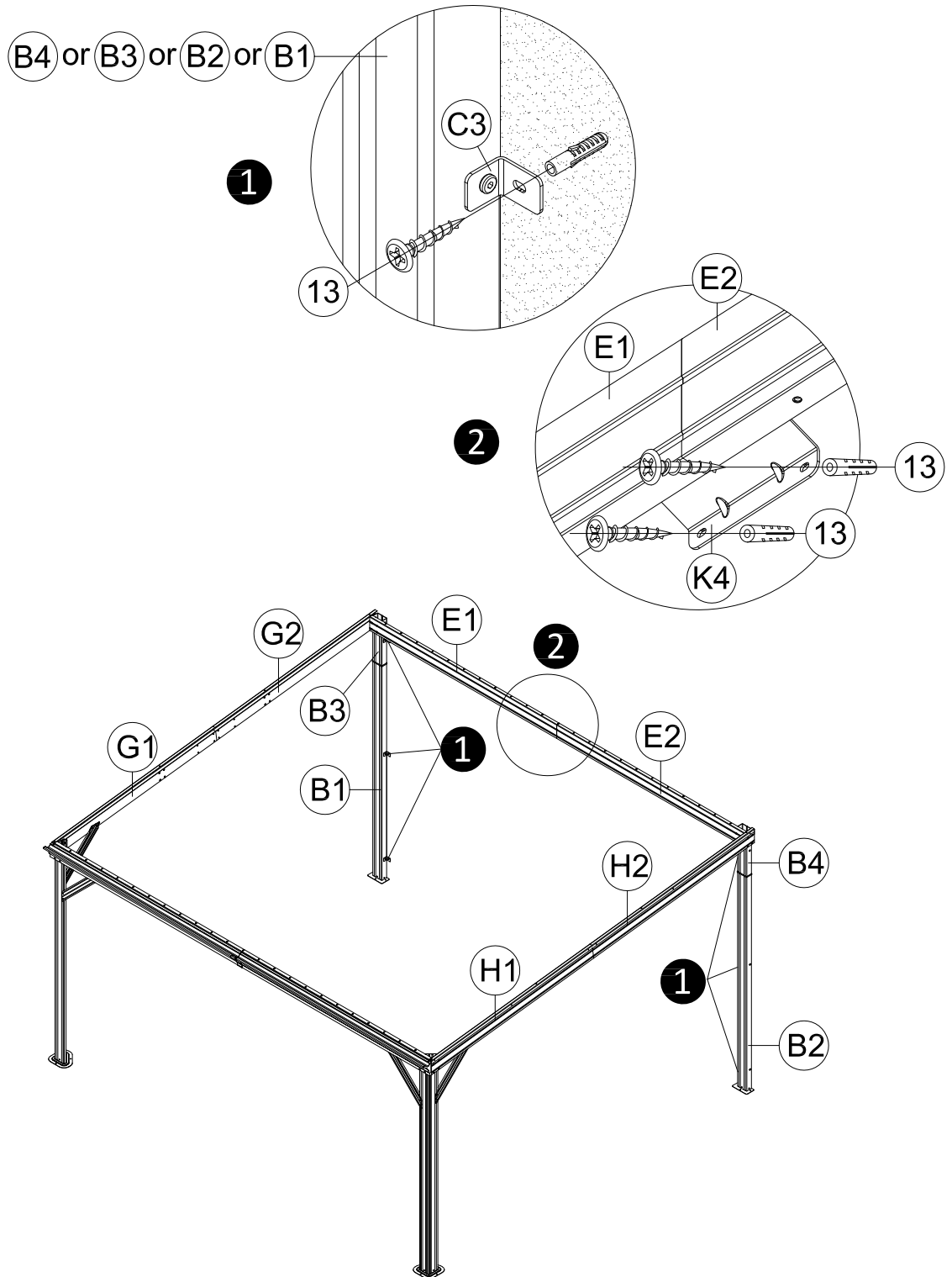
Install this step if you need fix the canopy to the wall (you need to drill holes into the wall). Otherwise please skip this step.





M6x70

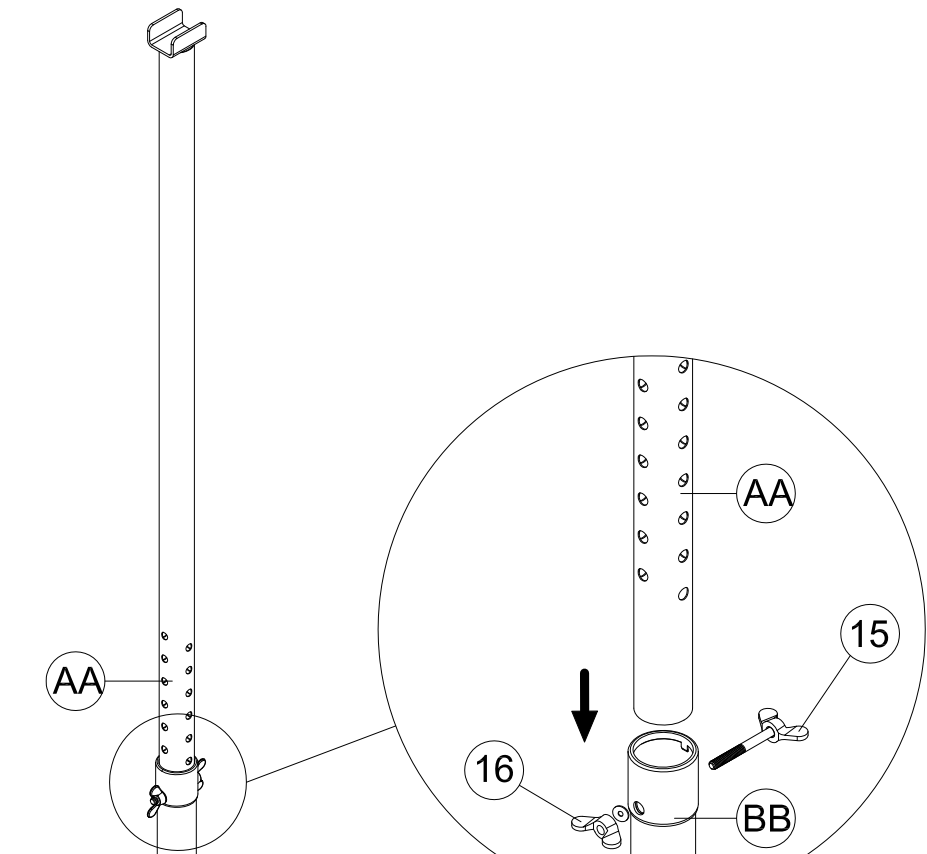
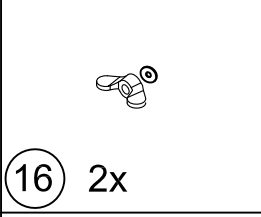
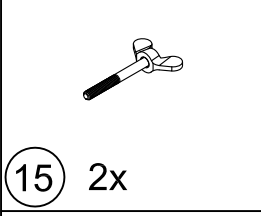
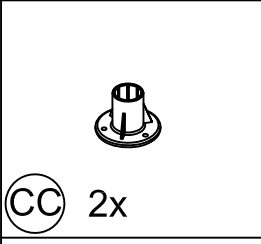
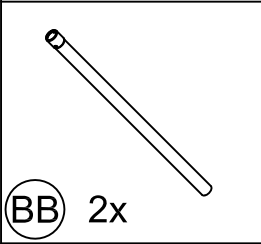
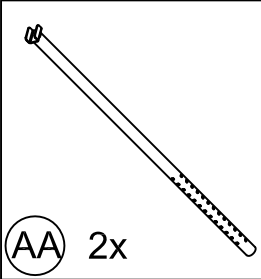
13 8x



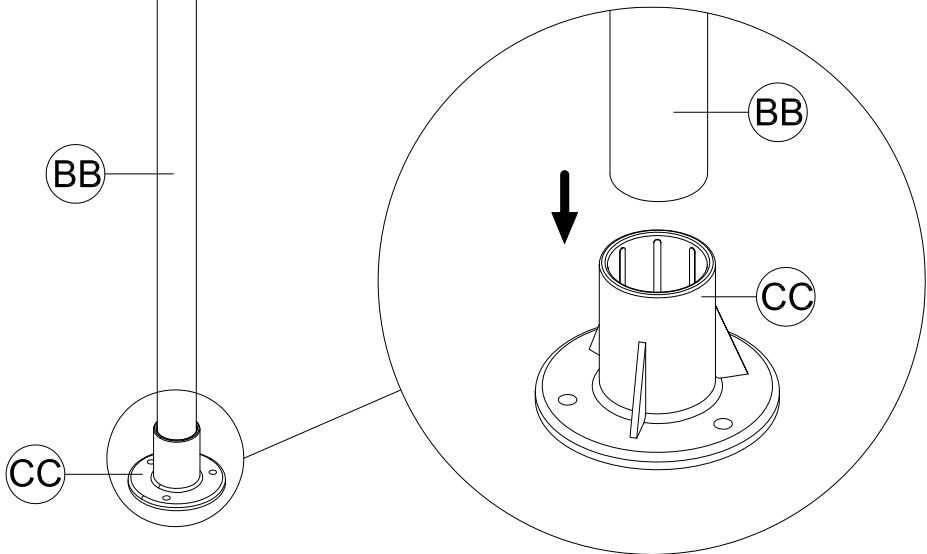
① Insert part #13 into the wall through #C3 to secure rear posts to the wall.

② Insert part #13 into the wall through #K4 to secure #E1 & E2 to the wall.

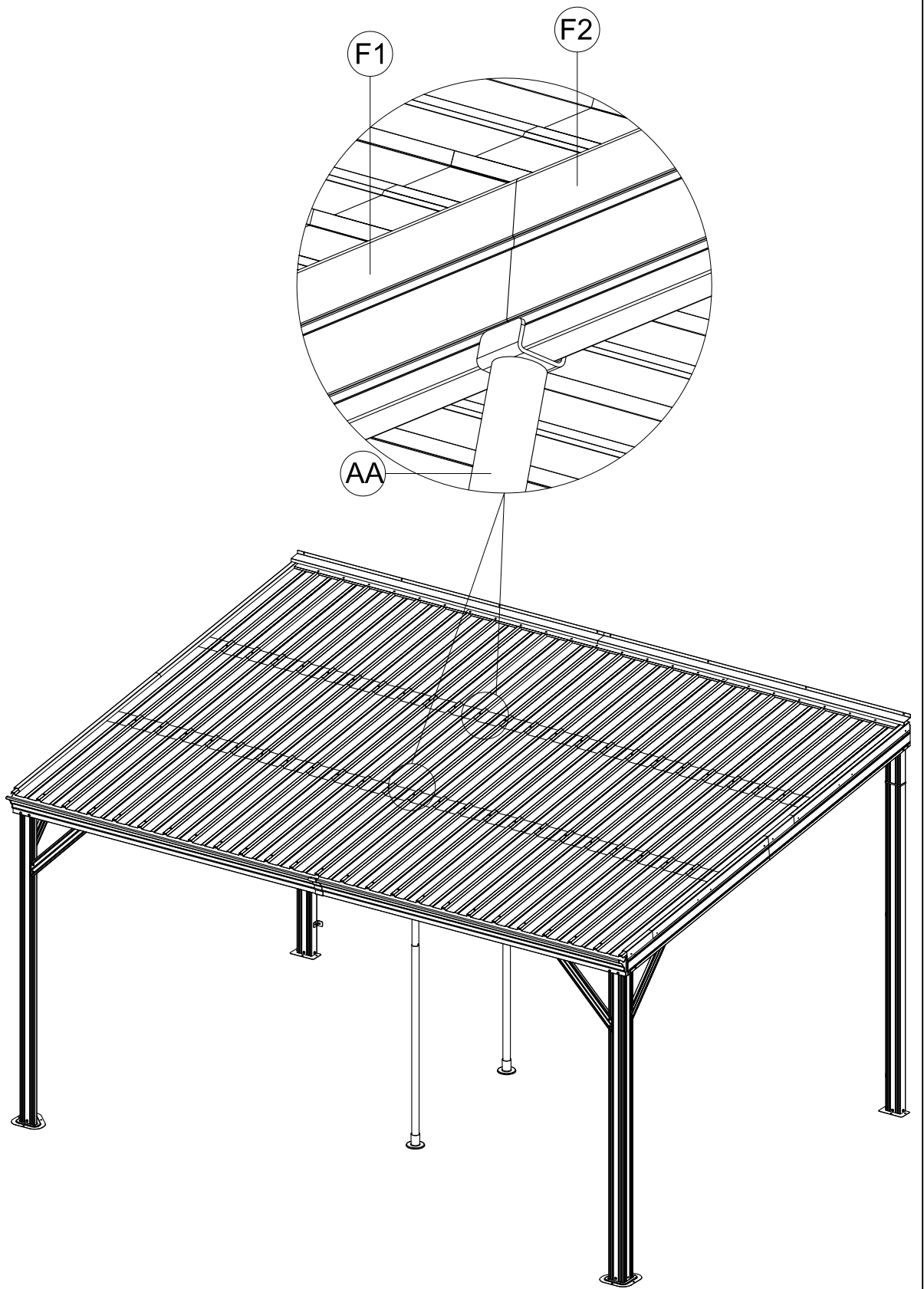
If you don't consider fixing it to the wall, you can skip this step (This step requires the user to drill holes in the wall for fixation.) The bracket #C3 is used to fix the post against the wall. You can assemble only 2 pieces for each post according to the actual installation situation.



Insert #AA into #BB,
secure it with #15 and #16.



Insert #BB into the base #CC.



The support tube can strengthen the weight capacity of the metal roof.
In bad weather, especially snowstorm, it is essentially needed to prevent the roof from collapsing under heavy snow.
In daily life, you can put it away.



Thanks for your purchase.

At domi outdoor living, we believe in our products.

That's why we provide a 12-month warranty and

friendly, easy-to-reach after-sales service. So if you

have any questions about our product and assembly-

,please feel free to contact us. We will be here for you.

Support:  

After-sales contact email:

service@domioutdoorliving.com

Business cooperation contact email:

marketing@domioutdoorliving.com

Please tell us your order ID when contact.

Attach photos of damaged part for instant reply.