

# INSTRUCTION MANUAL

## ASSEMBLY INSTRUCTIONS

Carefully unpack all the components and verify that all the necessary parts are included as listed in the packaging.

Identify each component and refer to the provided assembly diagram or step-by-step instructions. Assemble the furniture in the order specified to ensure proper alignment and fit.

Use the provided tools or recommended tools for assembly. Do not use excessive force when tightening screws or bolts.

If any difficulties arise during assembly, consult the troubleshooting section or contact our customer support.

### Tools Required

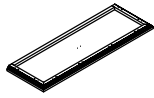
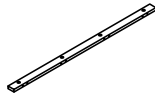
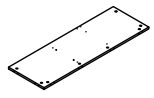
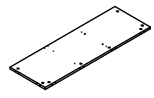


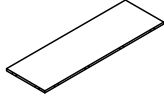

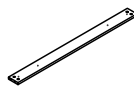
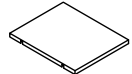
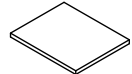

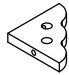
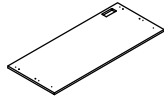
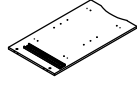
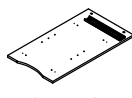
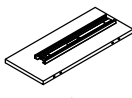
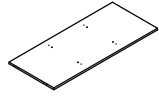
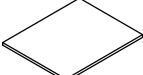
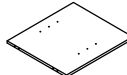






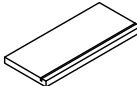
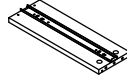
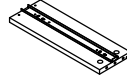
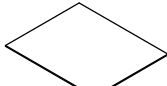





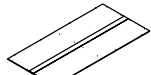


Wrench tool

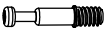

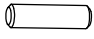
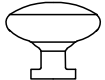

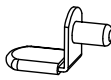
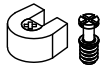

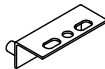
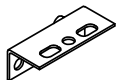

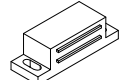

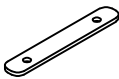



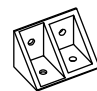




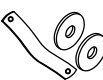


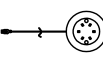


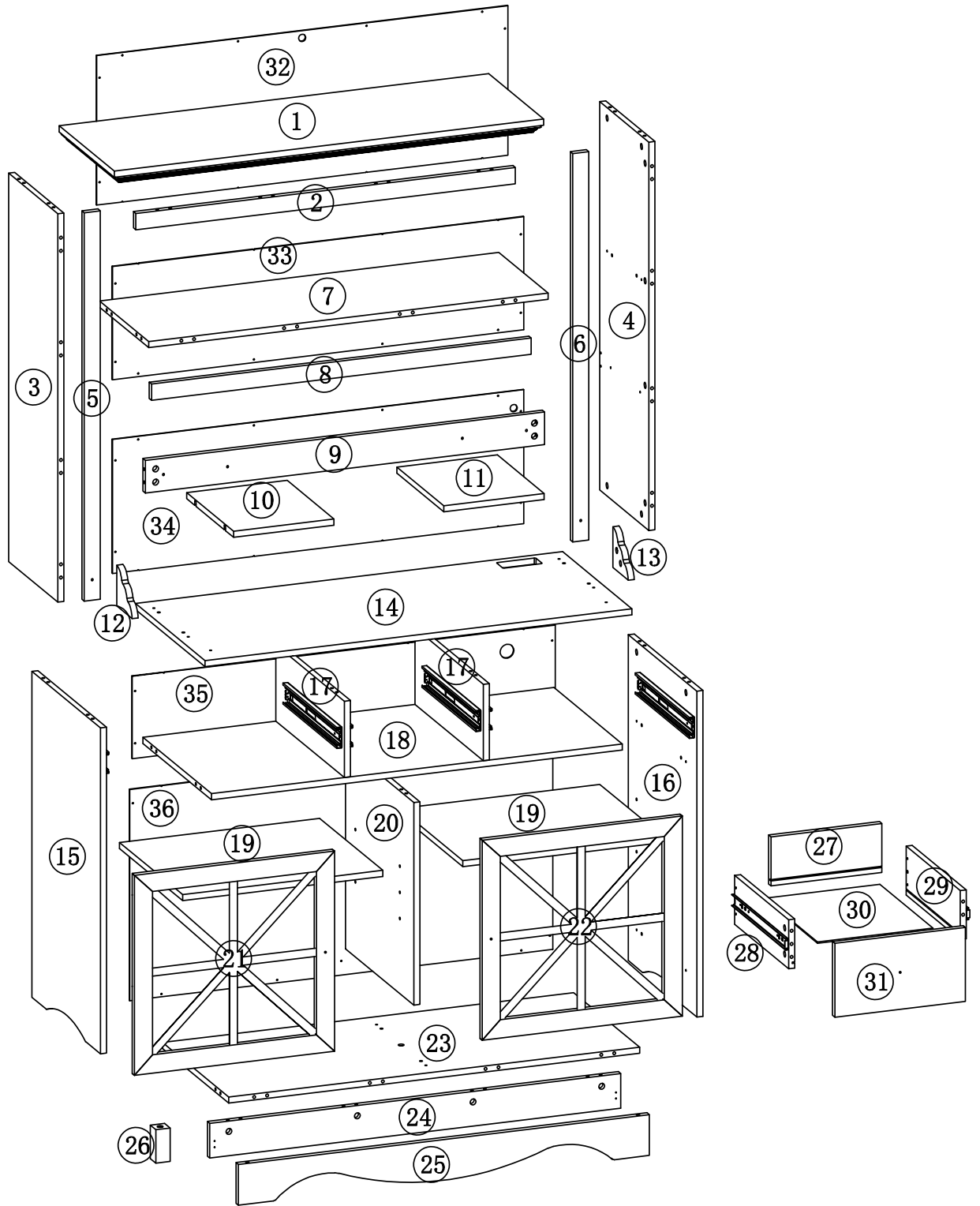
Wrench tool

## Board parts List

NO.	PICTURE	QTY	NO.	PICTURE	QTY	NO.	PICTURE	QTY
1	 Top Panel	1	2	 Panel Molding	1	3	 Upper Left Side Panel	1
4	 Upper Right Side Panel	1	5	 Upper Left Side Strip	1	6	 Upper Right Side Strip	1
7	 Upper Shelf	1	8	 Upper Shelf Strip	1	9	 Back Strip	1
10	 Upper Left Adjustable Shelf	1	11	 Upper Right Adjustable Shelf	1	12	 Left Decorative Panel	1
13	 Right Decorative Panel	1	14	 Middle Panel	1	15	 Lower Left Side Panel	1
16	 Lower Right Side Panel	1	17	 Small Upright Panel	1	18	 Lower Shelf	1
19	 Adjustable Shelf	1	20	 Large Vertical Panel	1	21	 Left Door Panel	1
22	 Right Door Panel	1	23	 Bottom Panel	1	24	 Bottom Rear Strip	1
25	 Bottom Front Strip	1	26	 Middle Leg Post	1	27	 Drawer Back Panel	1
28	 Drawer Left Side Panel	1	29	 Drawer Right Side Panel	1	30	 Drawer Bottom Panel	1
31	 Drawer Front Panel	1	32	 Back Panel 1	1	33	 Back Panel 2	1
34	 Back Panel 3	1	35	 Back Panel 4	1	36	 Back Panel 5	1

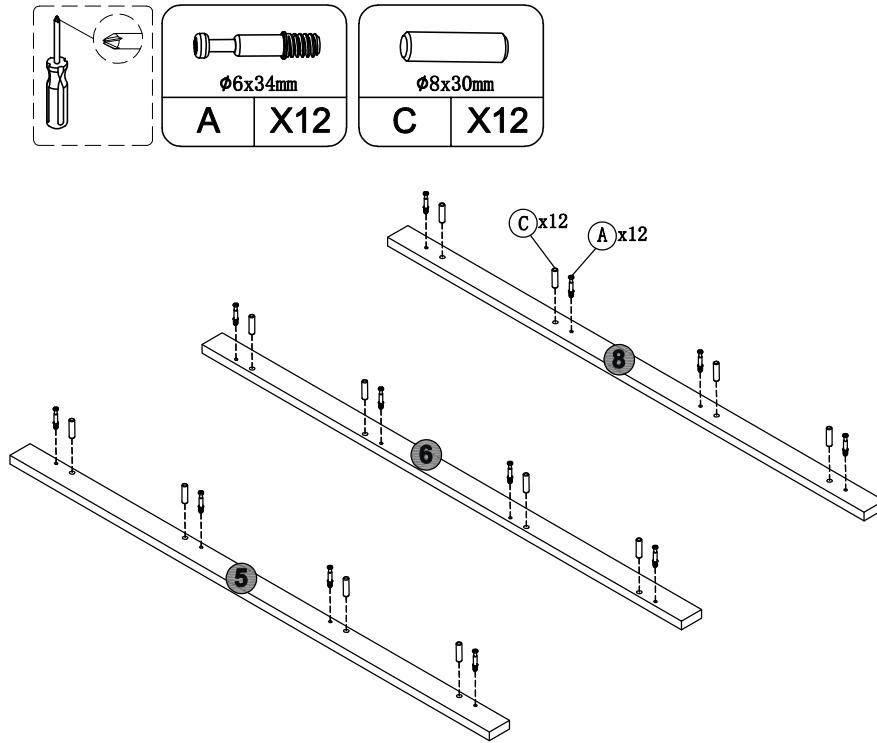
## Hardware parts List

NO.	PICTURE	QTY	NO.	PICTURE	QTY	NO.	PICTURE	QTY
A	 Cam Bolt	80+4	B	 Eccentric Wheel	80+4	C	 Wooden Tenon	72+4
D	 Pull Handle	5	E	 Screw	5	F	 Shelf Support	8
G	 Detachable Connector	8	H	 Hinge Grommet	4	I	 Left Hinge	2
J	 Right Hinge	2	K	 Screw	10	L	 Magnetic Catch	2
M	 Screw	4	N	 Iron Strip	2	O	 Screw	20+2
P	 Screw	12+1	Q	 Screw	58+4	R	 Plastic Corner Brace	4
S	 Screw	1	T	 Adjustable Foot Pad	3	U	 Screw Hole Cover	60
V	 2 Outlets 2 USB Ports	1	W	 Anti-Tip Kit (Strap & Washer)	2	X	 Anti-Tip Kit (Expandable Adhesive Granules & Screw)	2
Y	 Wine Glass Holder	1	Z	 USB Warm Light Lamp	1			

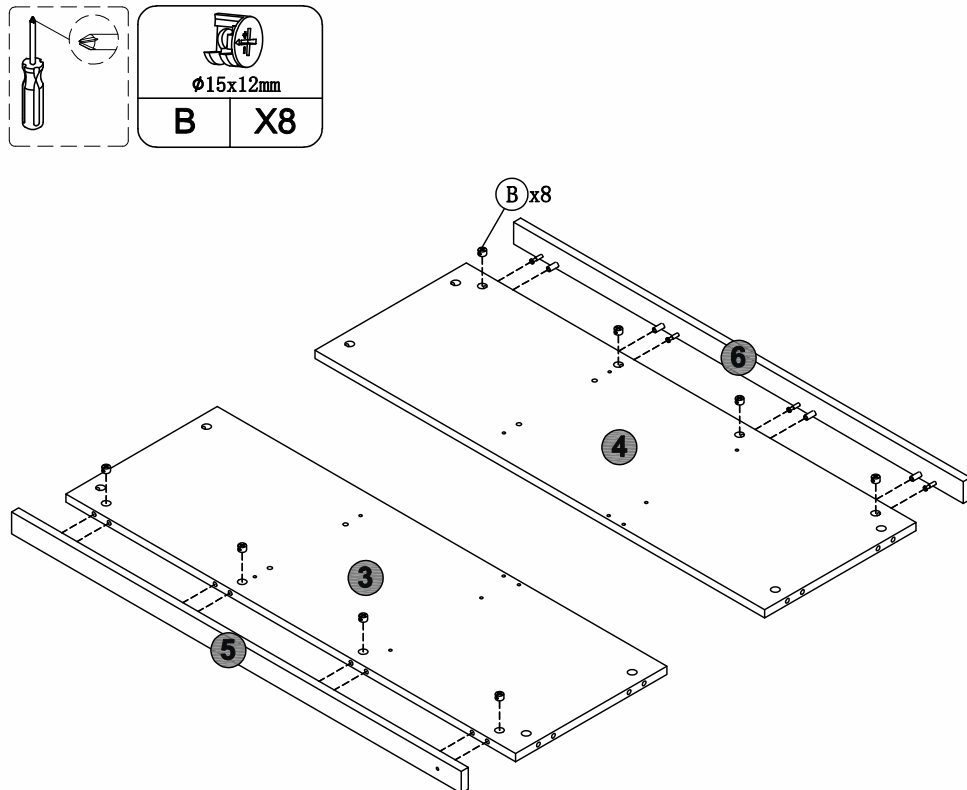


# ASSEMBLY INSTRUCTIONS

## STEP 1

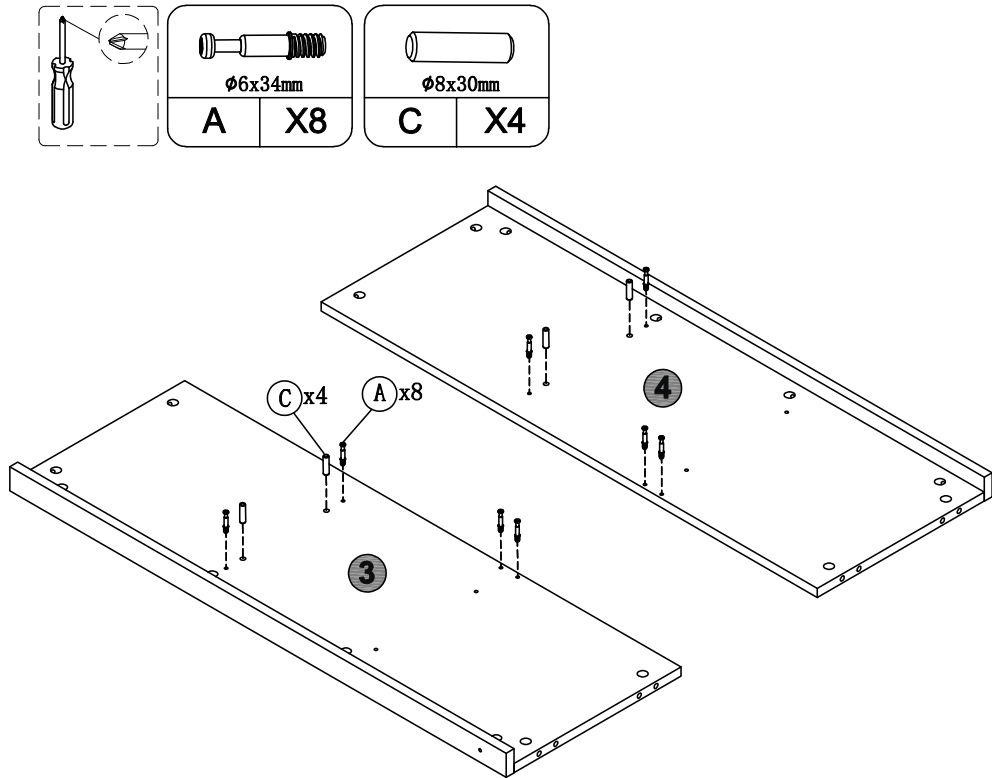


## STEP 2

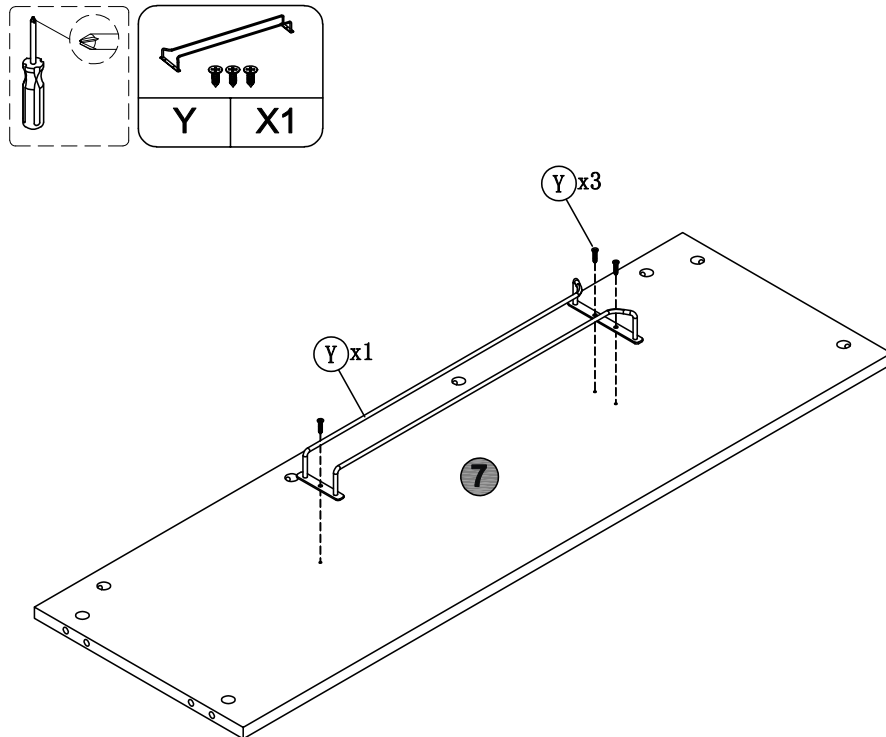


# ASSEMBLY INSTRUCTIONS

## STEP 3

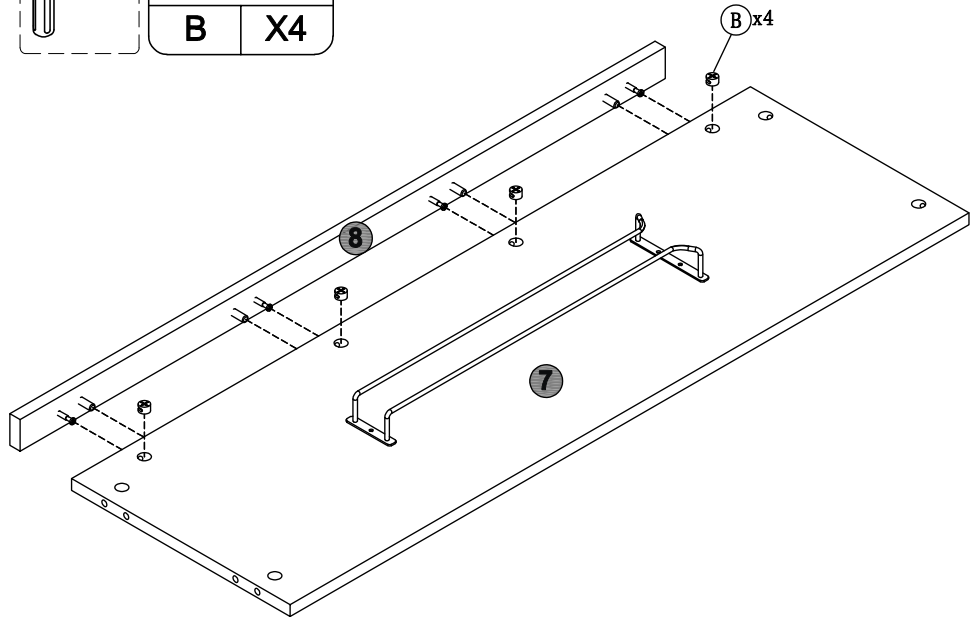
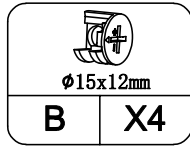
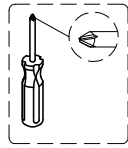


## STEP 4

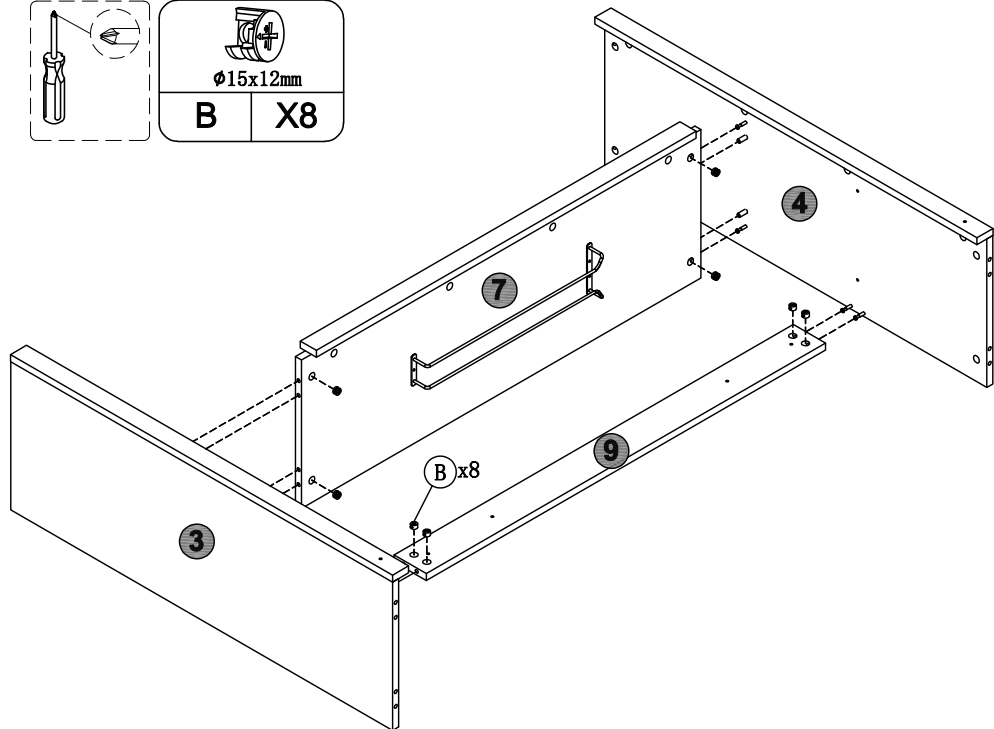
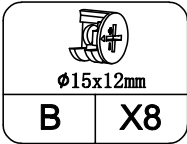
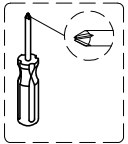


# ASSEMBLY INSTRUCTIONS

## STEP 5

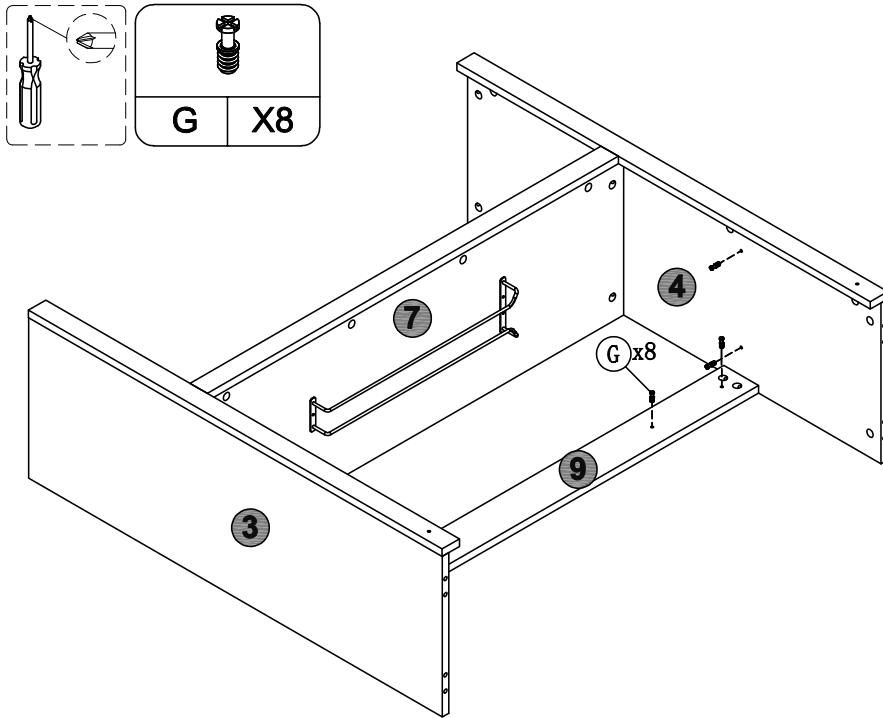


## STEP 6

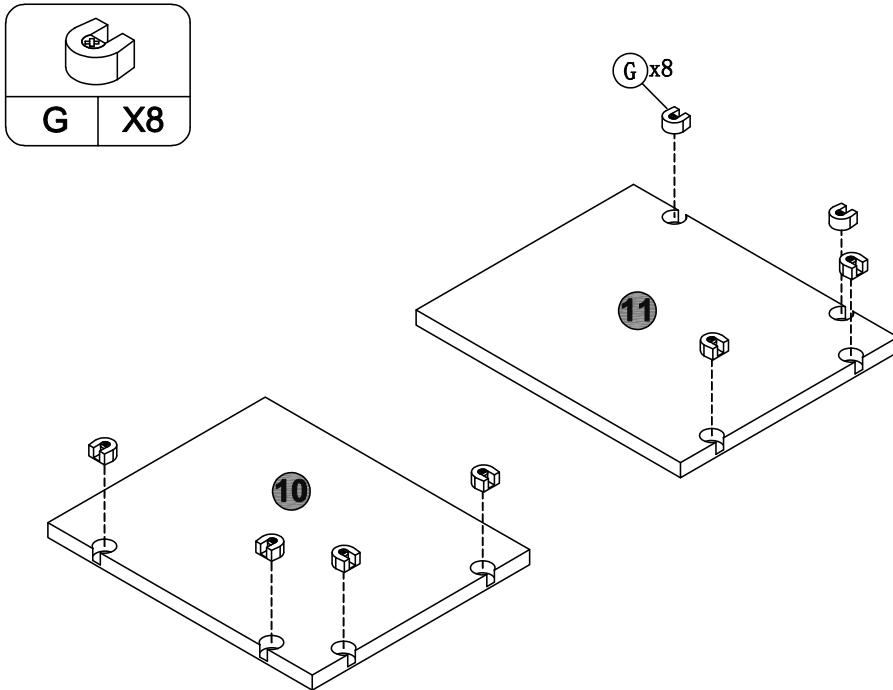


# ☰ ASSEMBLY INSTRUCTIONS

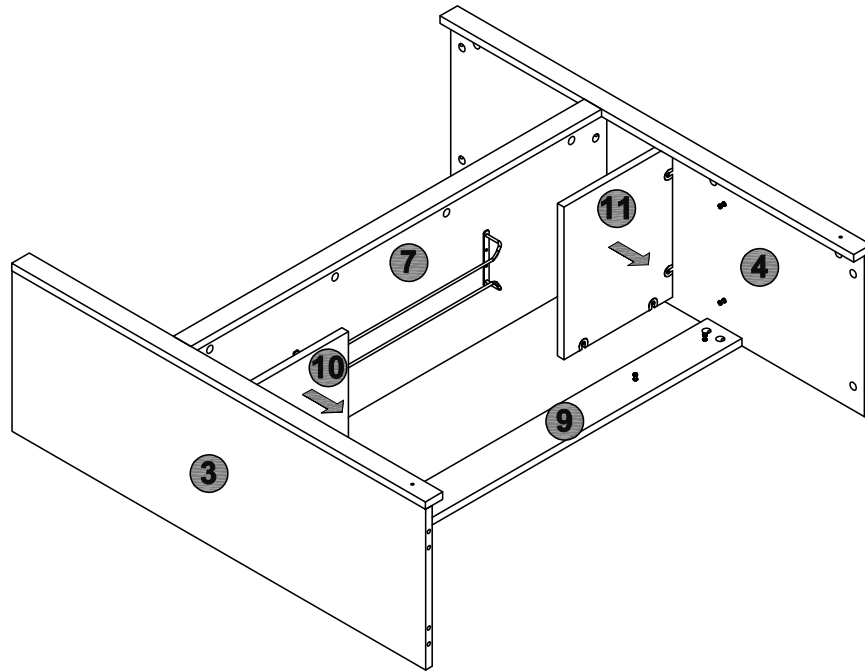
## STEP 7



## STEP 8

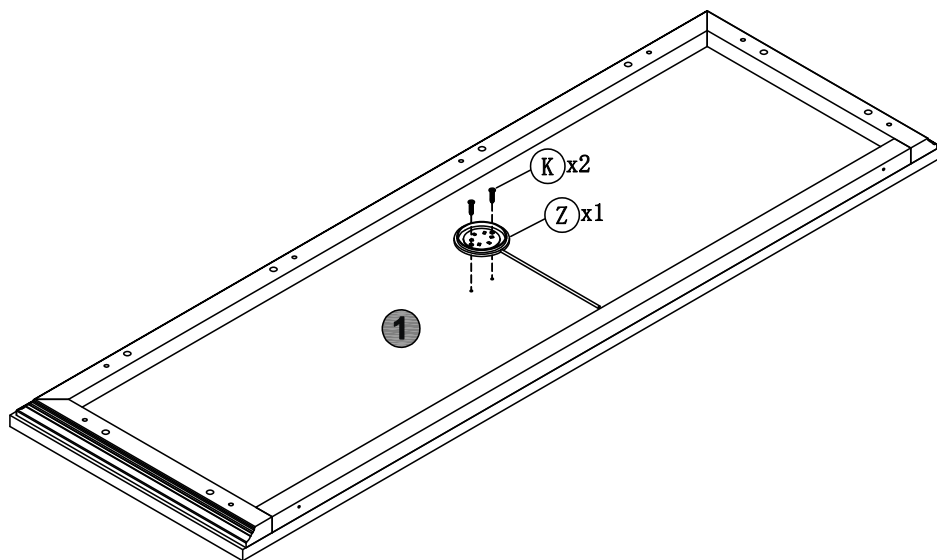
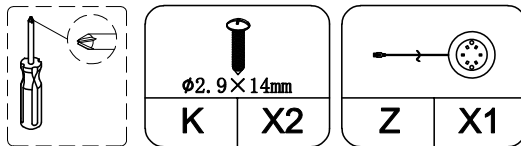


STEP 9



Place panels 10 and 11 downwards and lock the buckle; to remove, release the buckle.

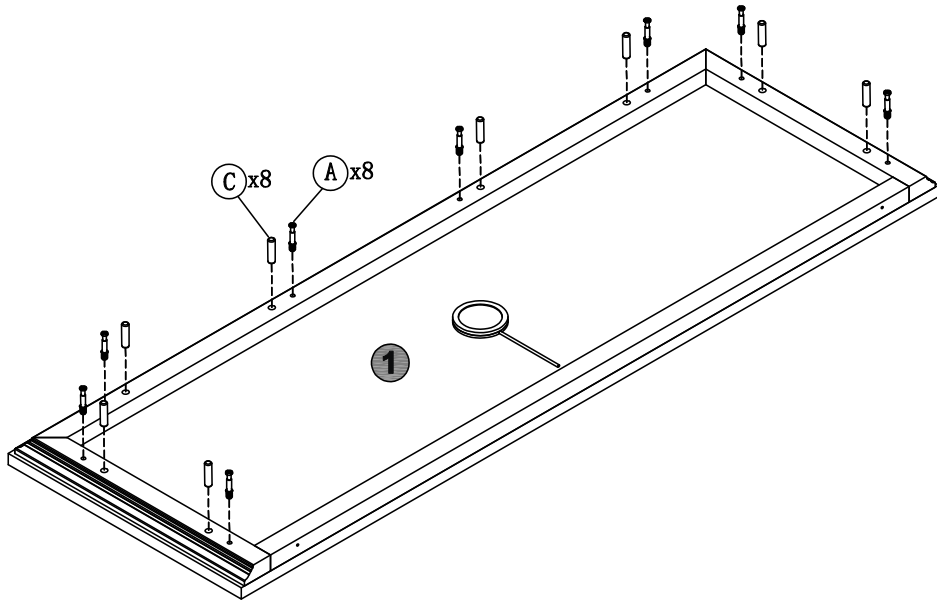
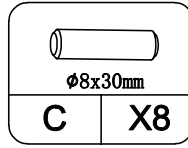
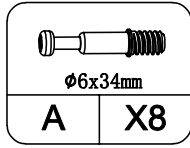
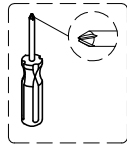
STEP 10



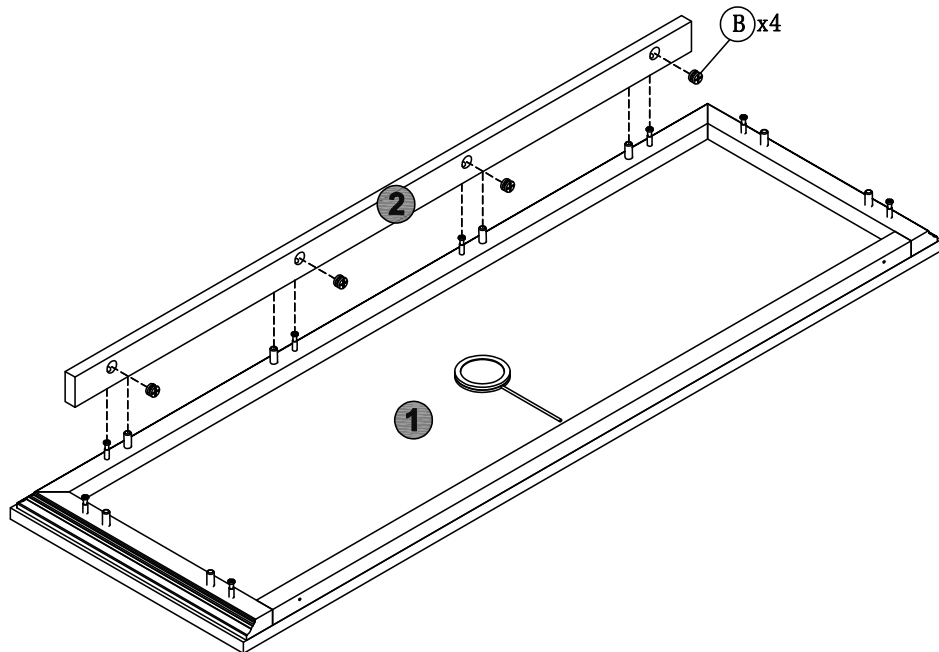
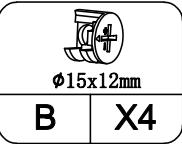
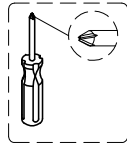
Install Z requires unscrewing the cover; pay attention to the Z wire facing towards the back.

# ASSEMBLY INSTRUCTIONS

## STEP 11

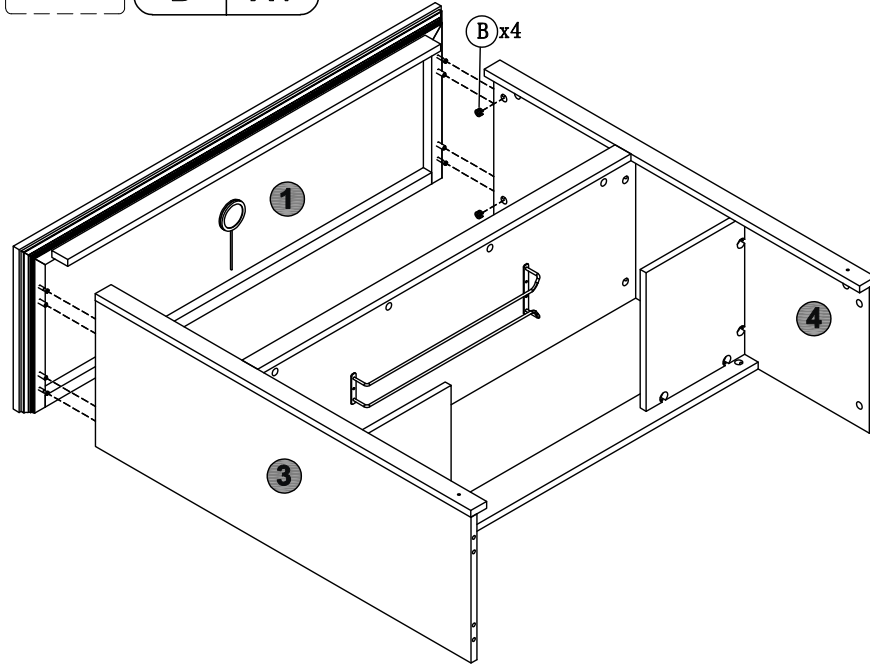
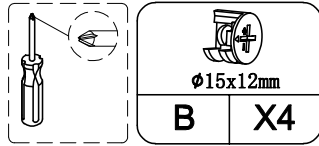


## STEP 12

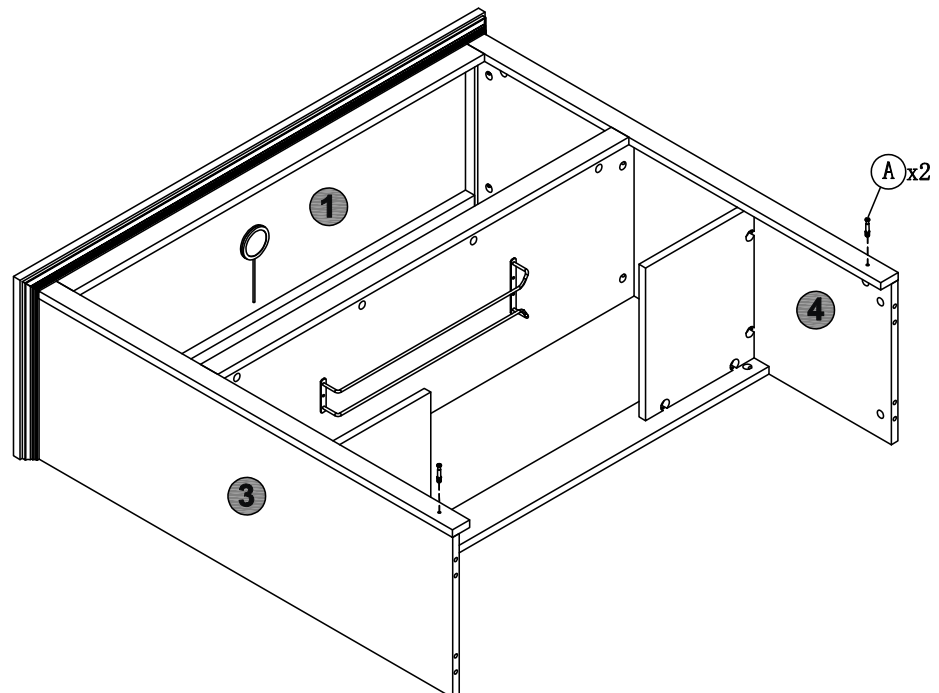
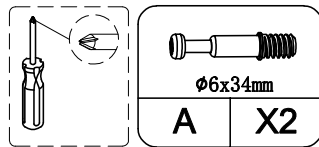


# ASSEMBLY INSTRUCTIONS

## STEP 13

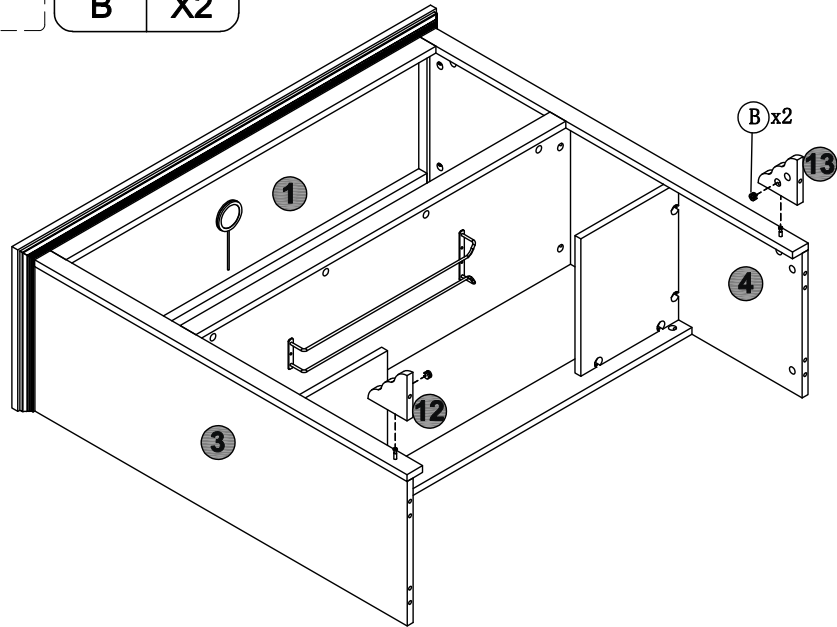
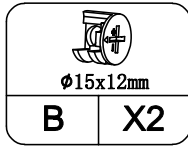
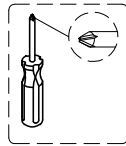


## STEP 14

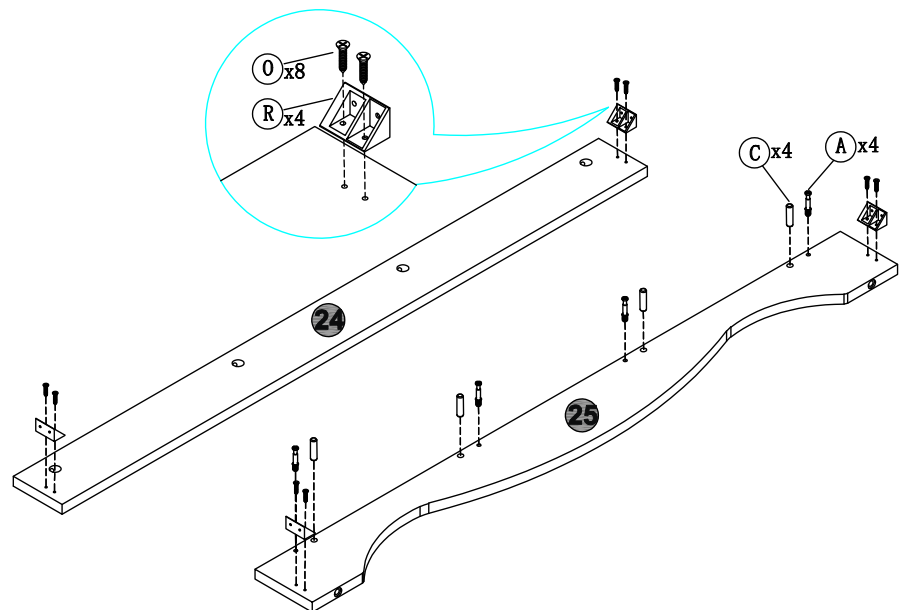
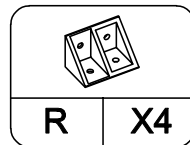
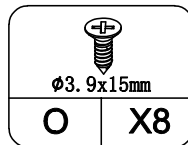
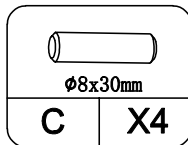
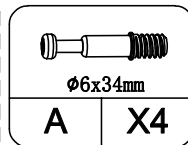
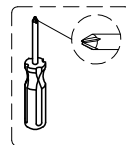


# ASSEMBLY INSTRUCTIONS

## STEP 15

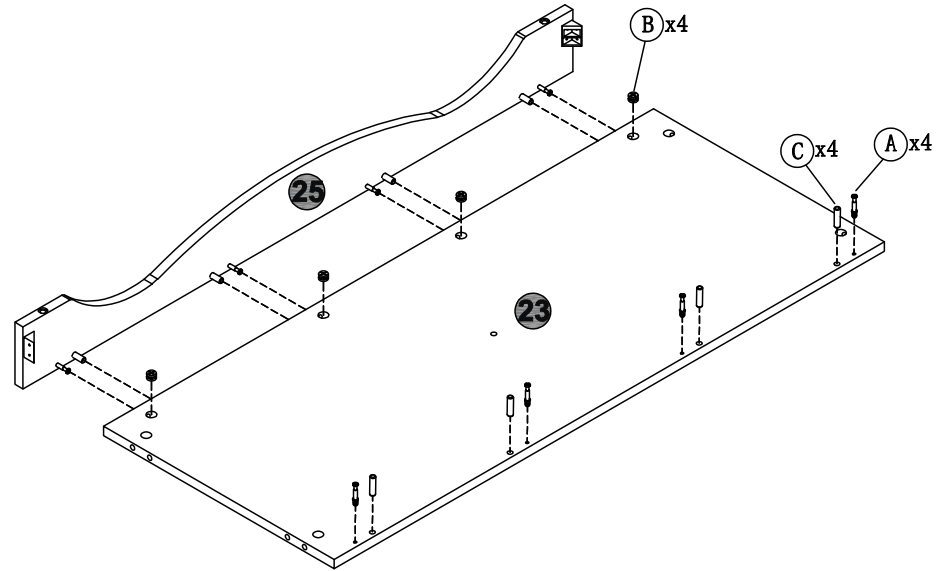
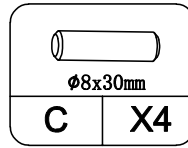
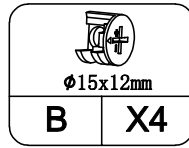
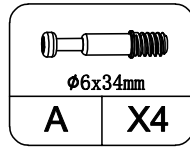
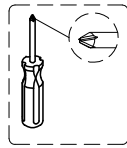


## STEP 16

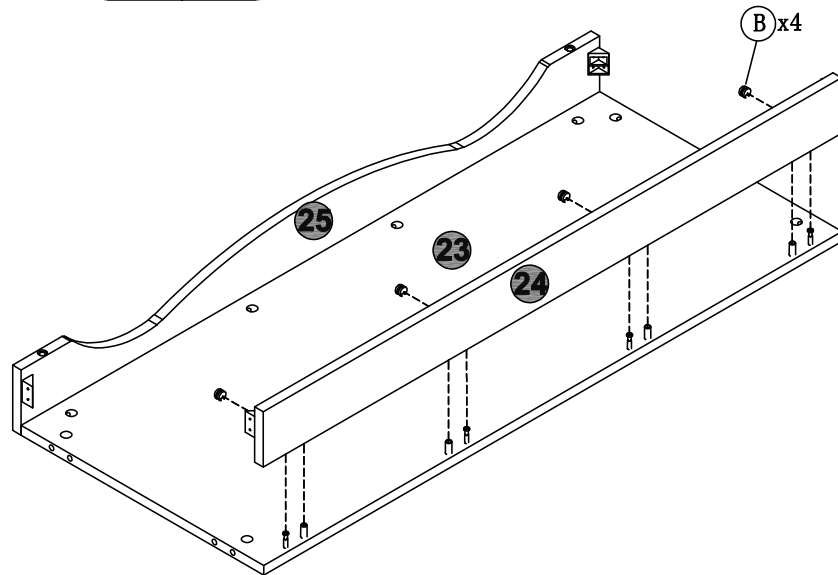
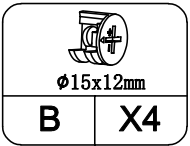
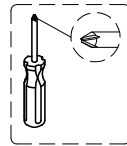


# ASSEMBLY INSTRUCTIONS

## STEP 17

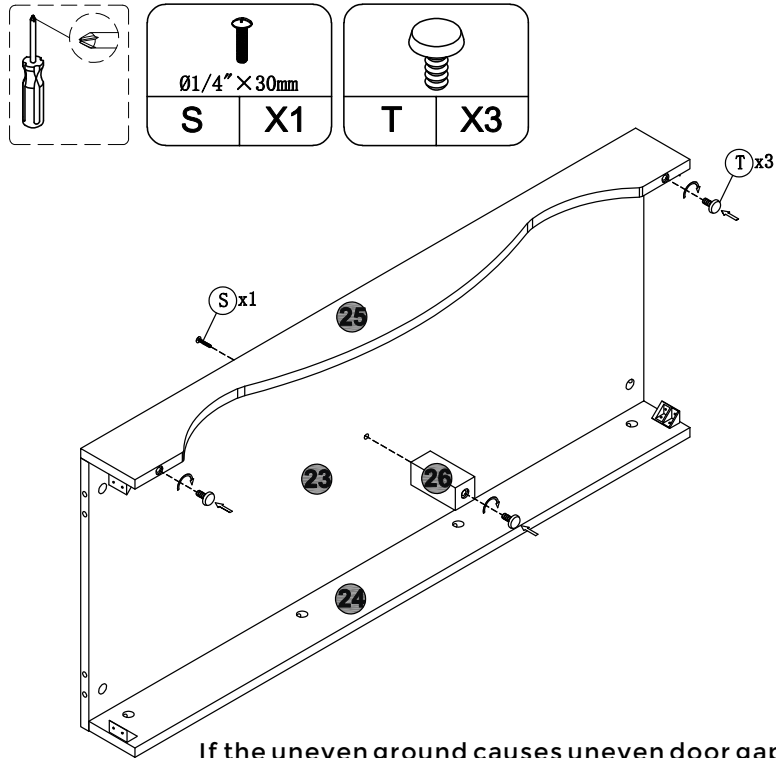


## STEP 18



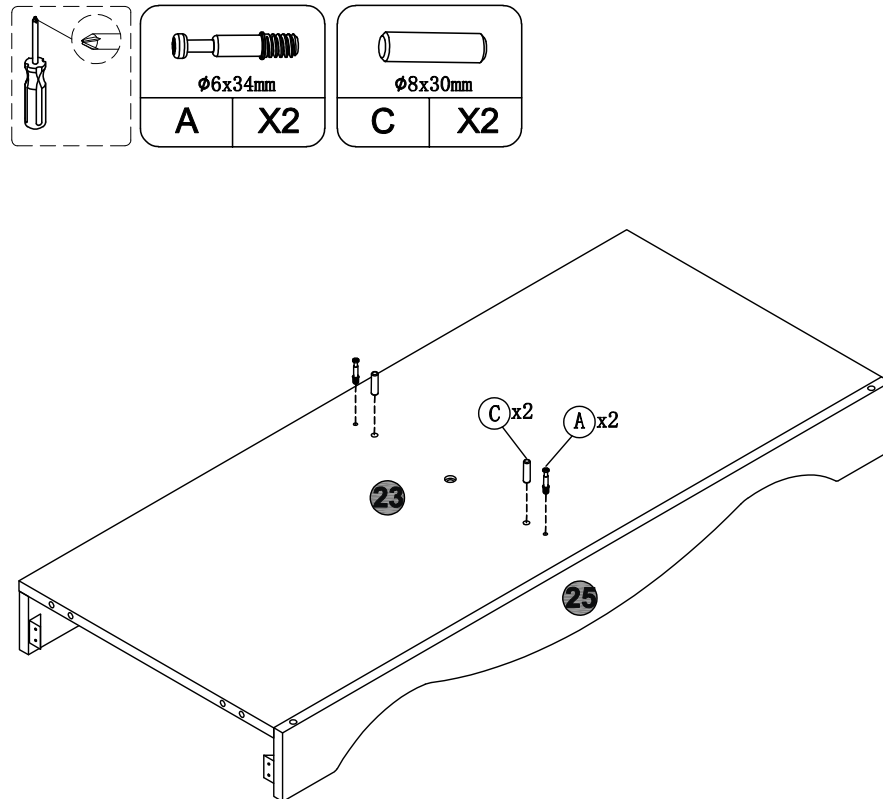
# ASSEMBLY INSTRUCTIONS

## STEP 19



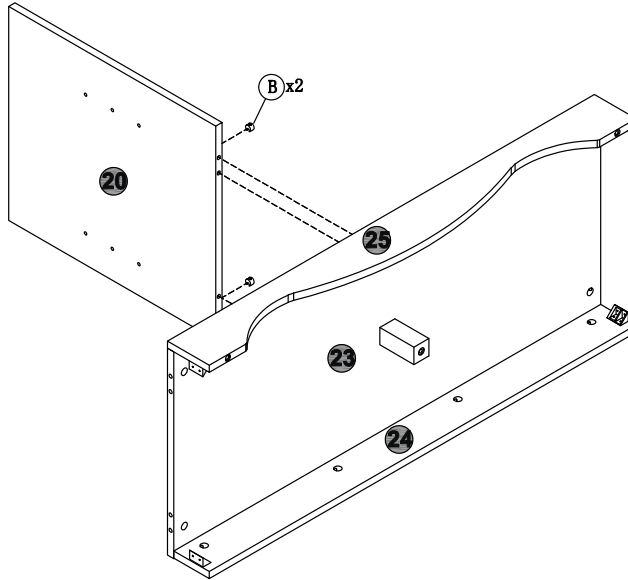
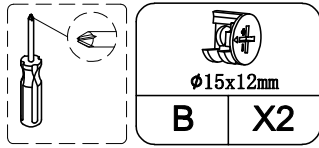
If the uneven ground causes uneven door gaps, use the adjustable foot pad T to keep the wooden cabinet level.

## STEP 20

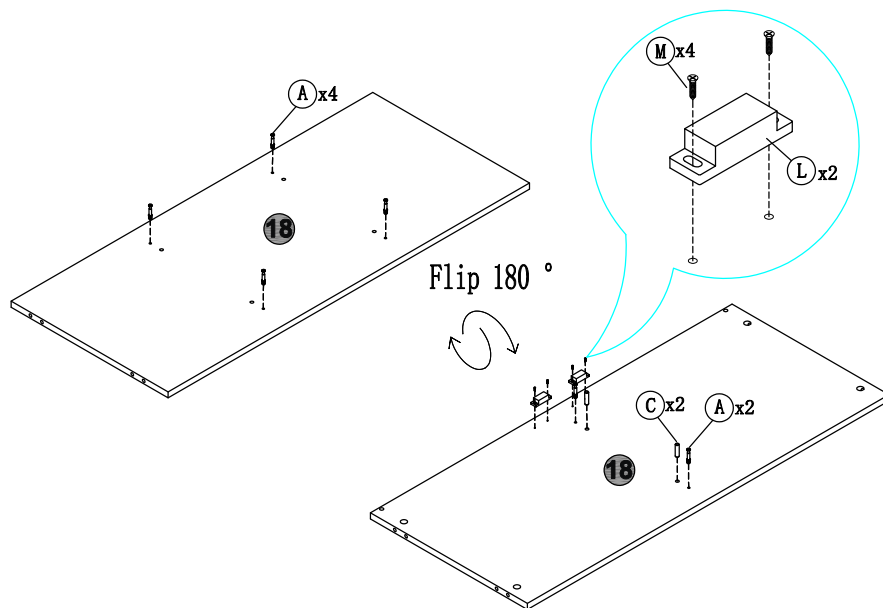
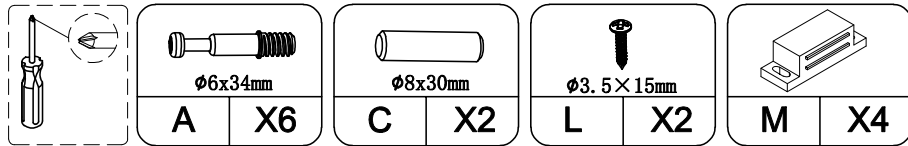


# ASSEMBLY INSTRUCTIONS

## STEP 21

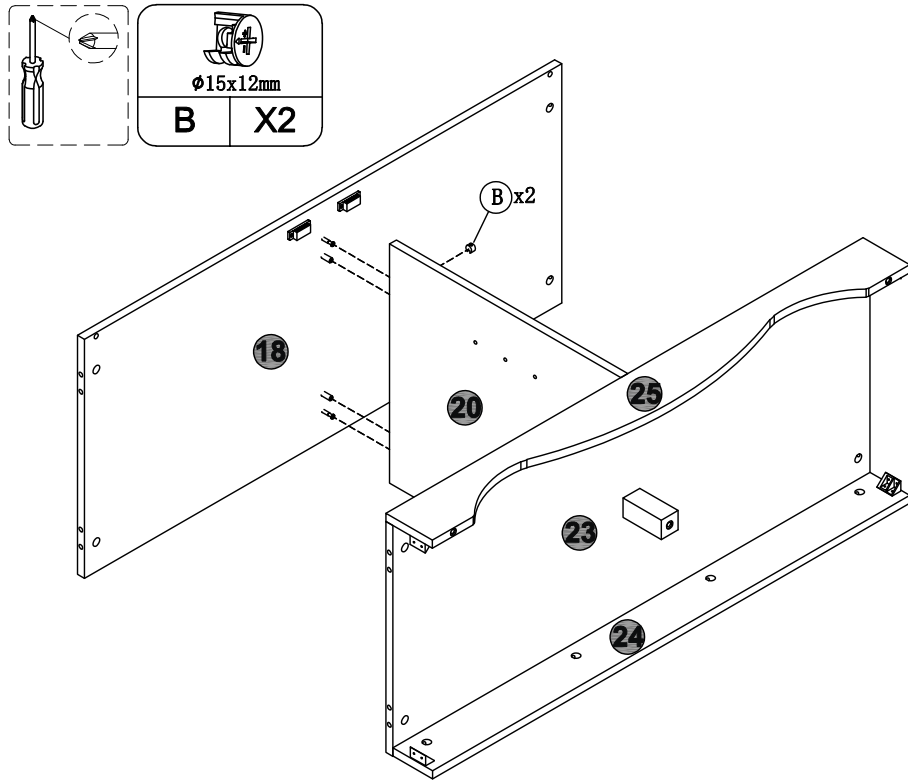


## STEP 22

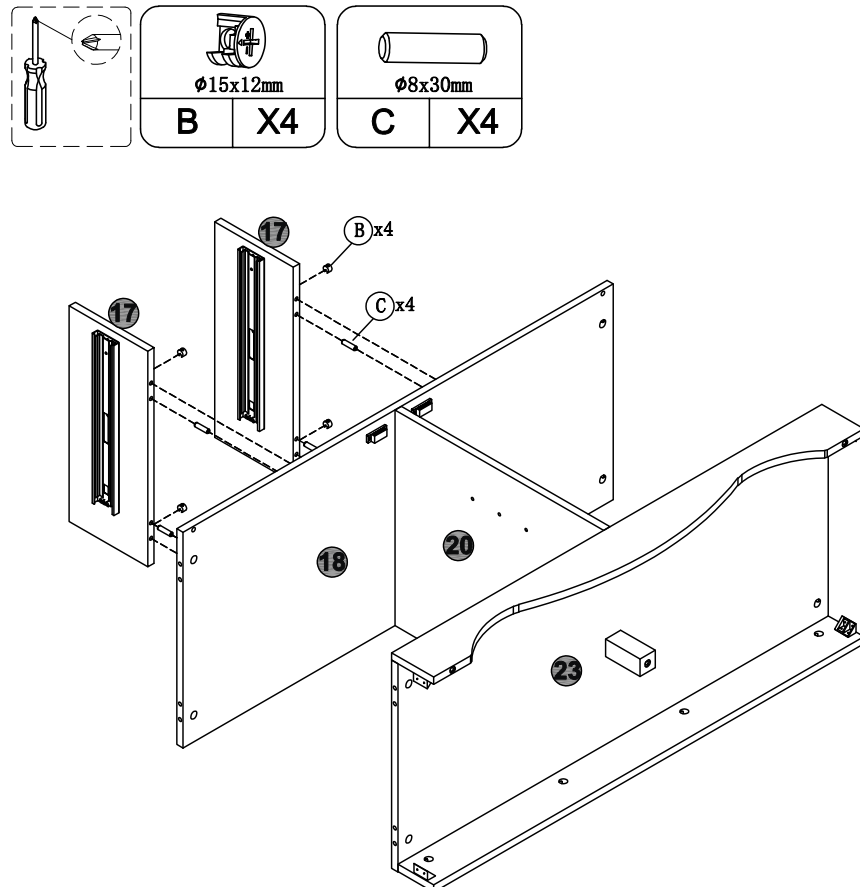


# ASSEMBLY INSTRUCTIONS

## STEP 23

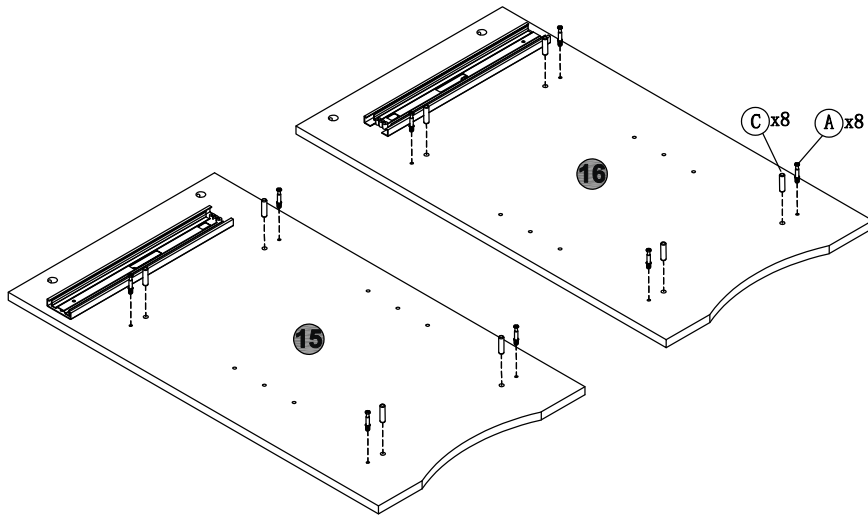
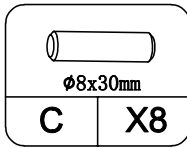
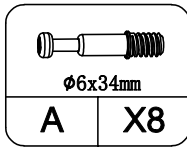
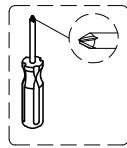


## STEP 24

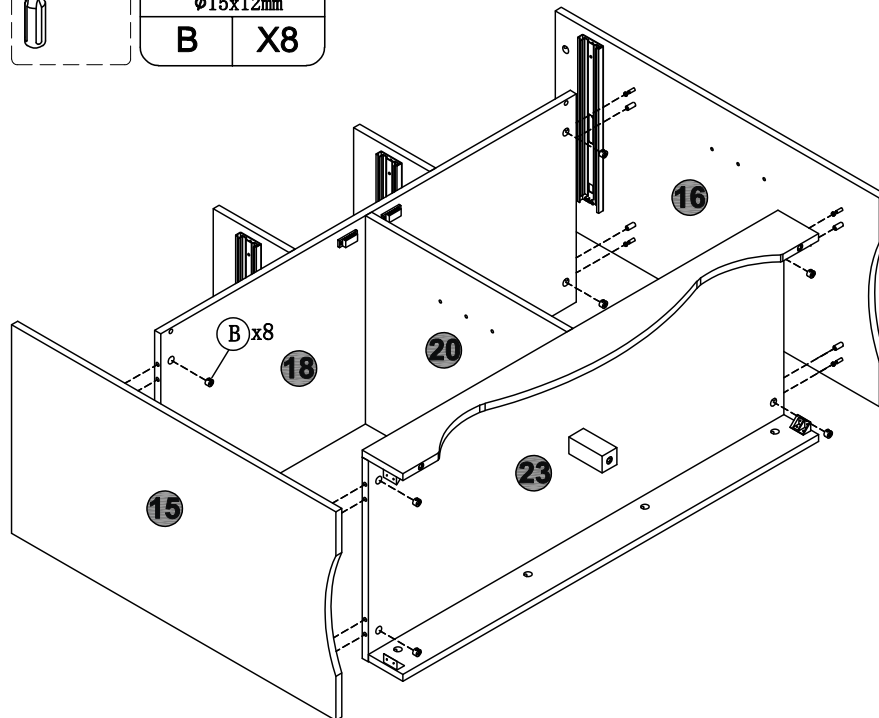
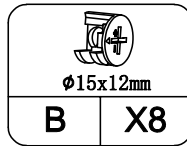
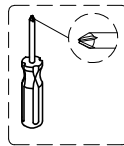


# ASSEMBLY INSTRUCTIONS

## STEP 25

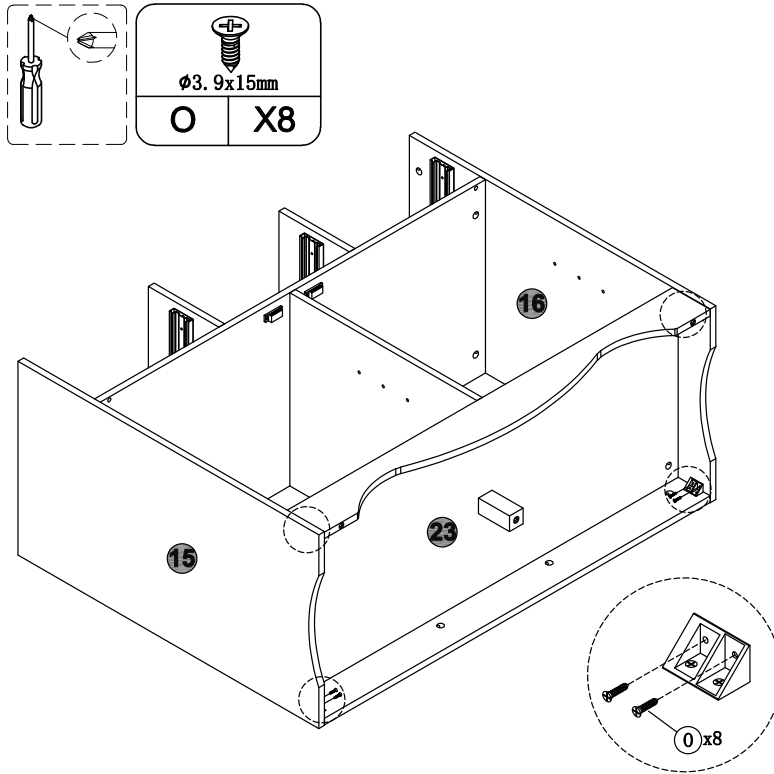


## STEP 26

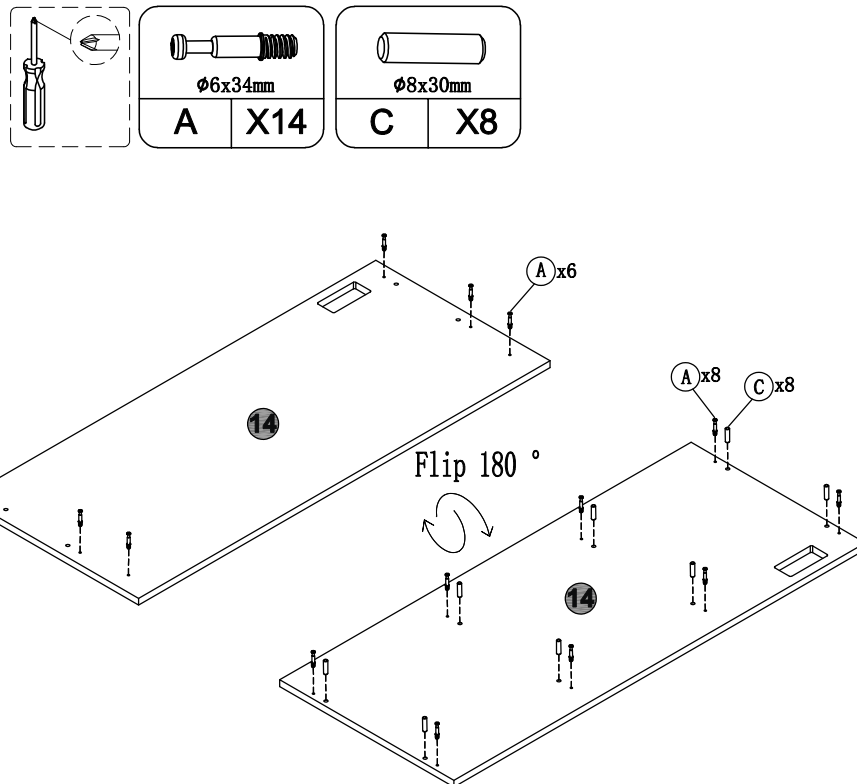


# ASSEMBLY INSTRUCTIONS

## STEP 27

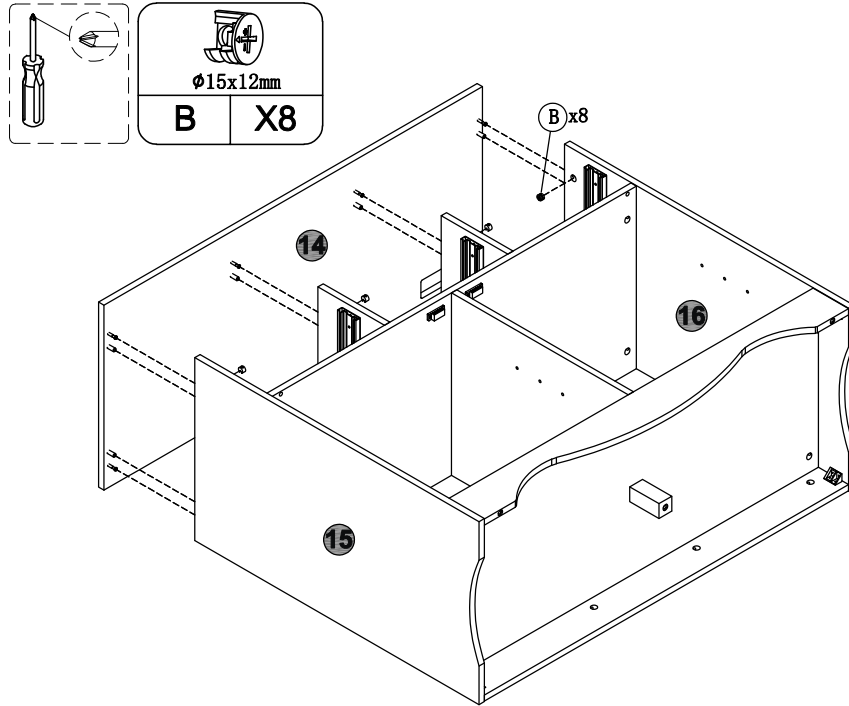


## STEP 28

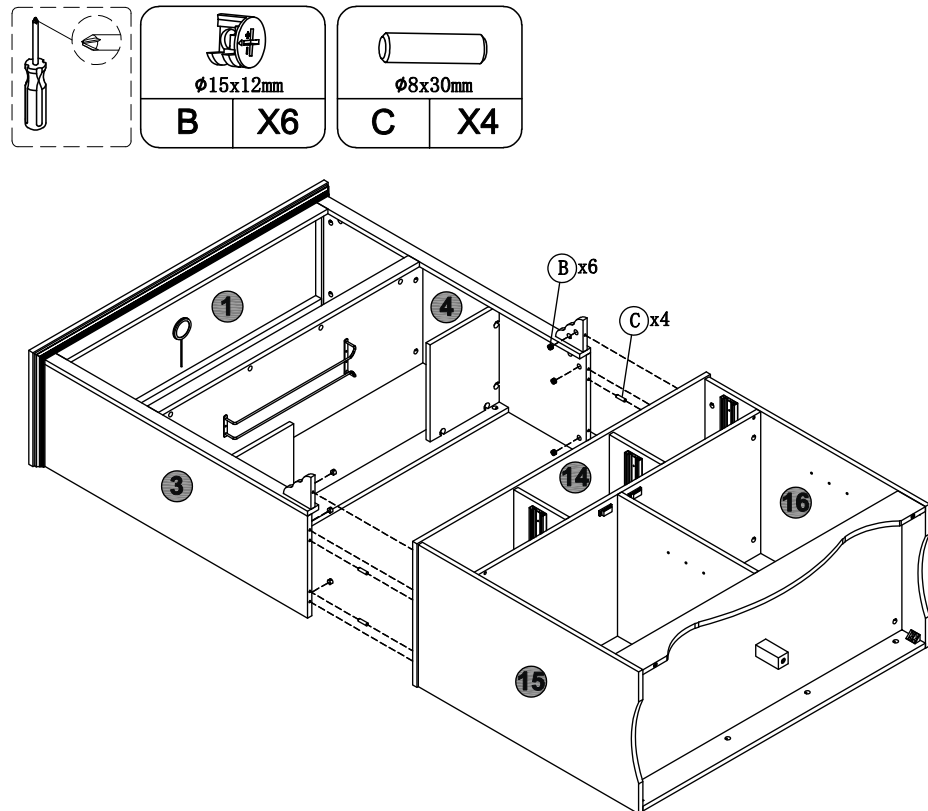


# ASSEMBLY INSTRUCTIONS

## STEP 29

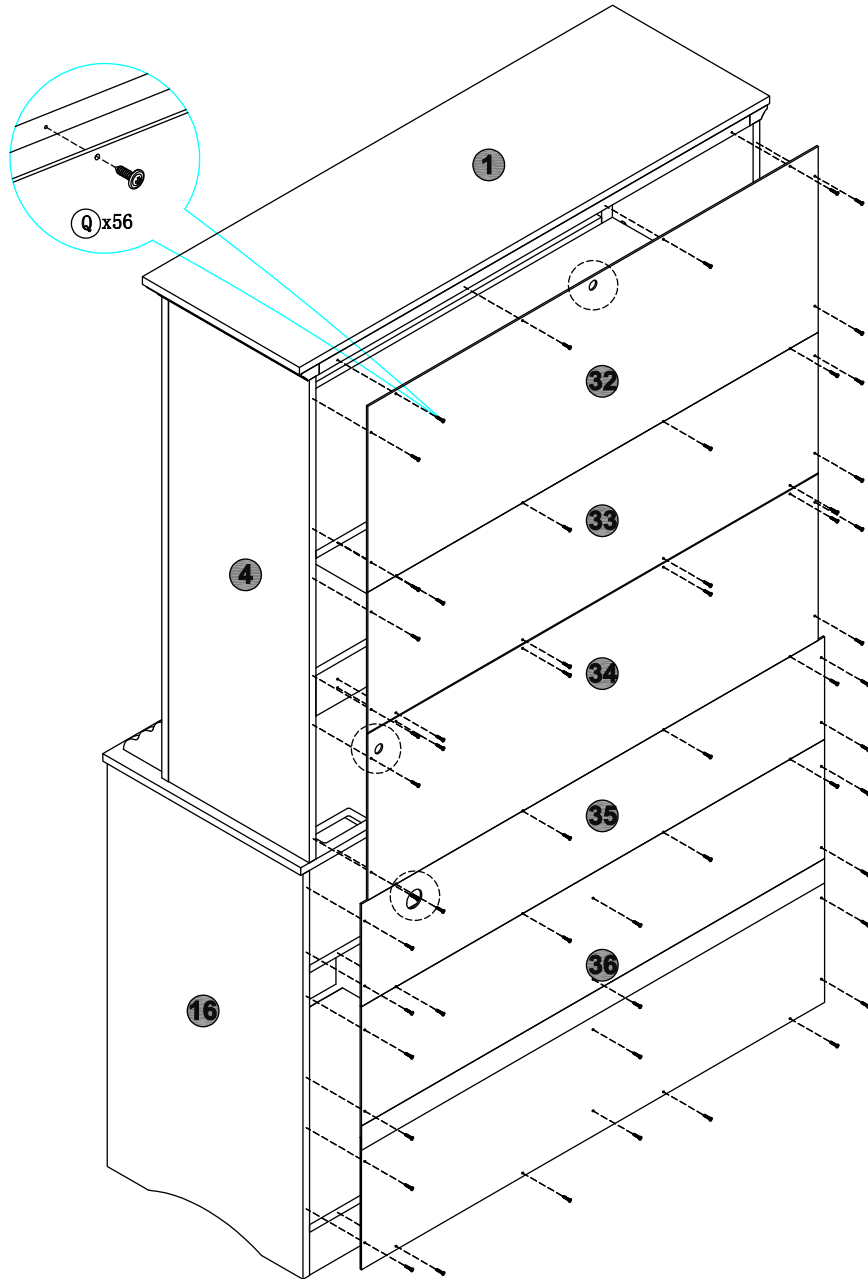
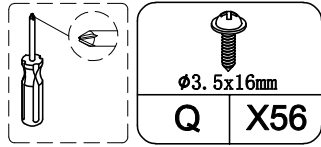


## STEP 30



# ASSEMBLY INSTRUCTIONS

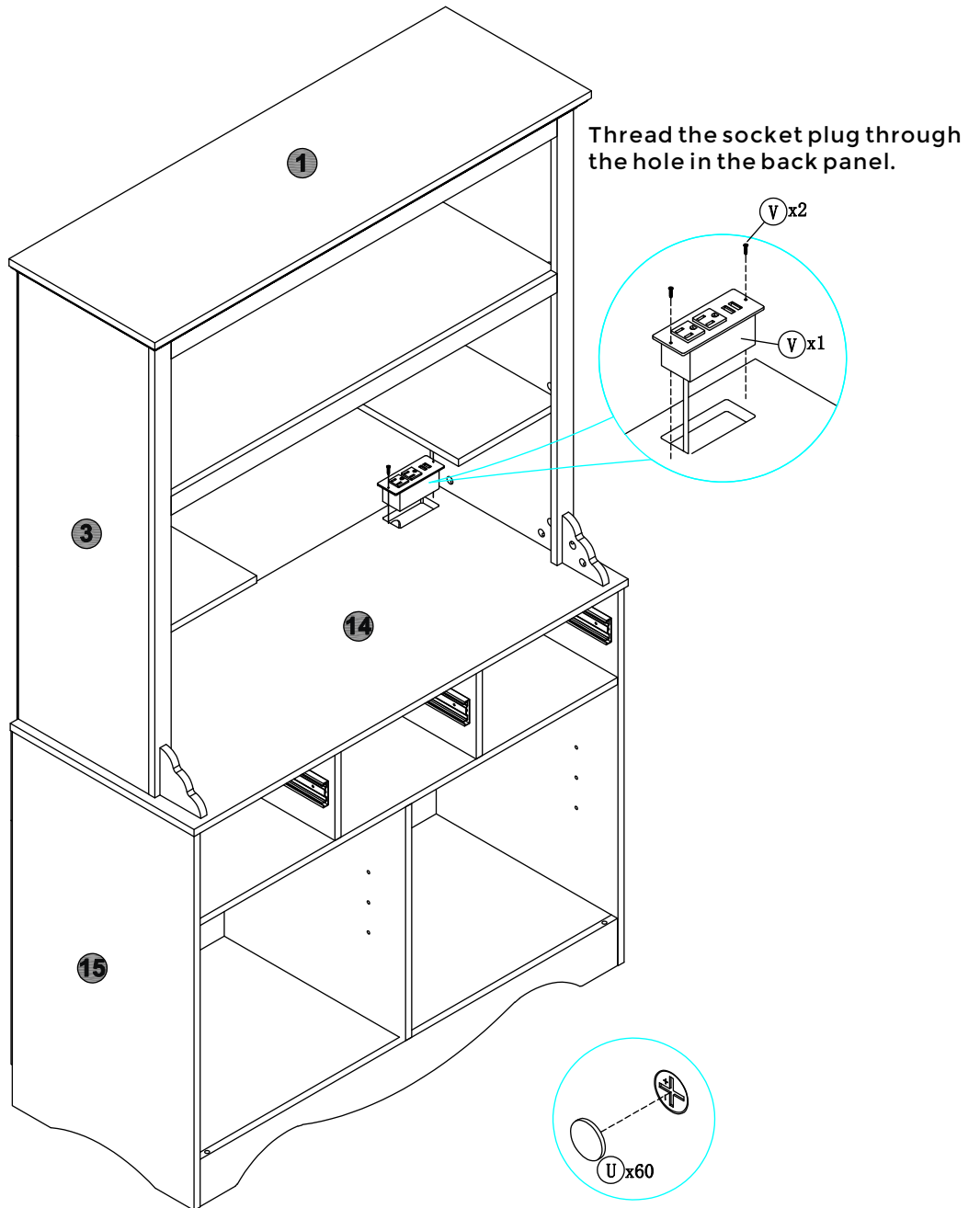
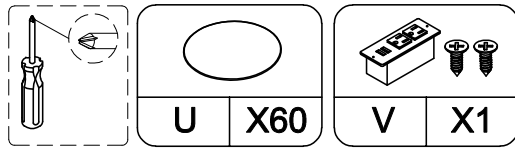
## STEP 31



Pay attention to the orientation of the holes in panels 32, 34, and 35.

# ASSEMBLY INSTRUCTIONS

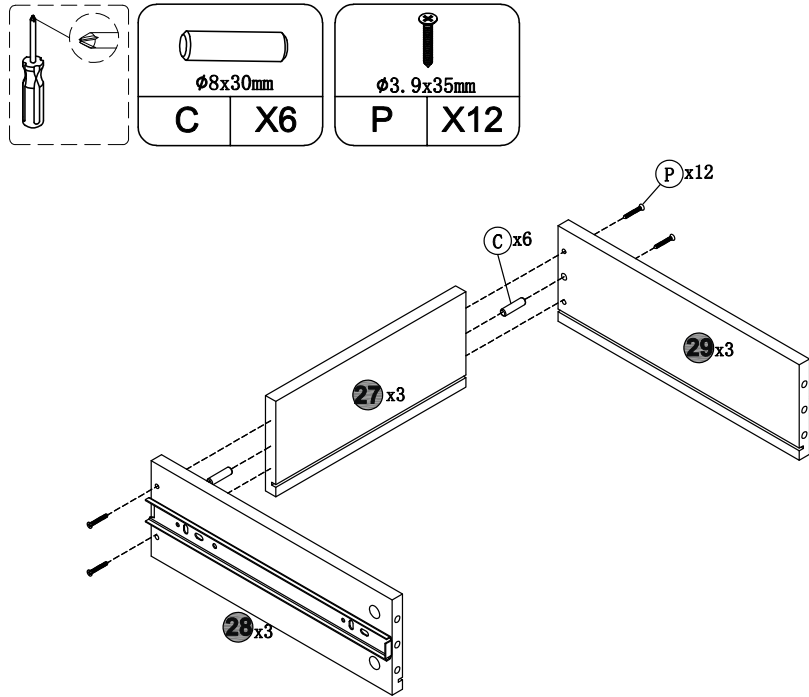
## STEP 32



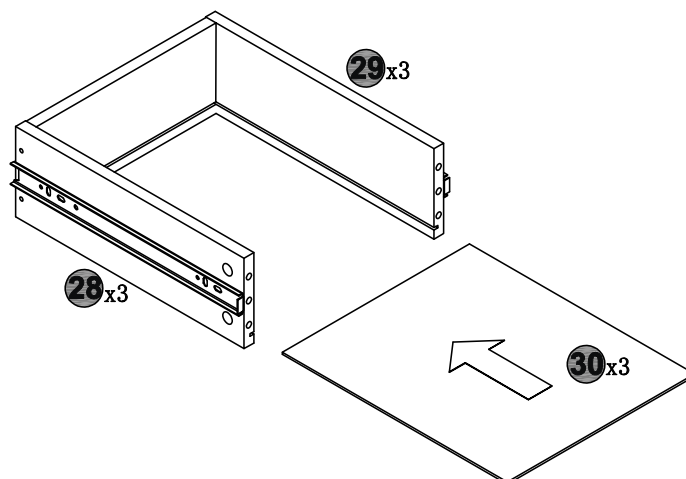
Apply a screw hole cover (U) on each eccentric wheel (B).

# ☰ ASSEMBLY INSTRUCTIONS

## STEP 33

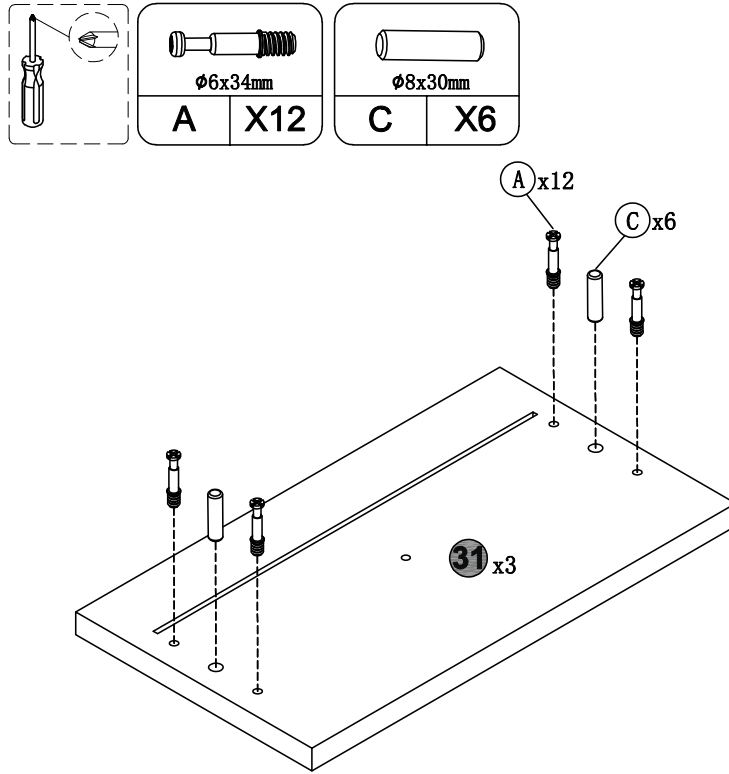


## STEP 34

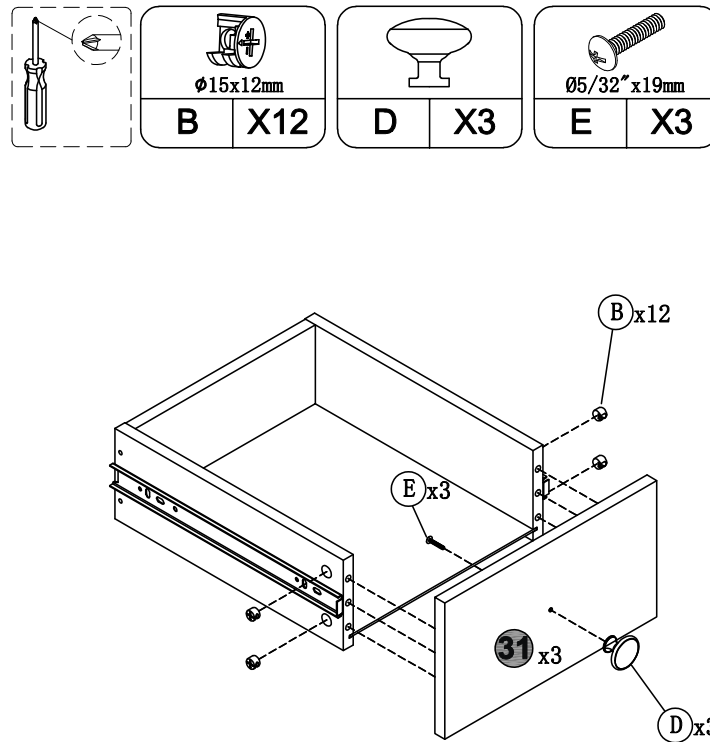


# ASSEMBLY INSTRUCTIONS

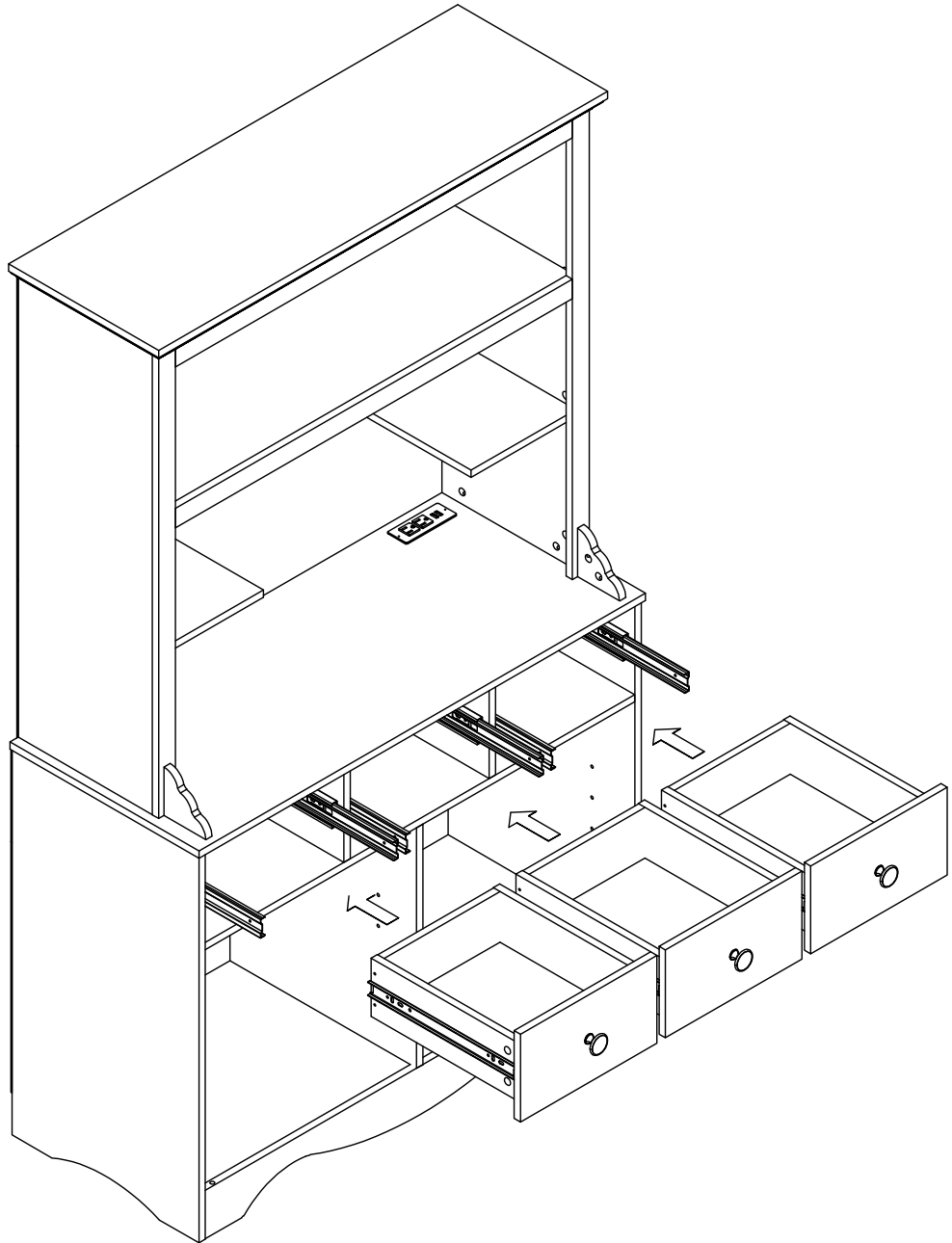
## STEP 35



## STEP 36

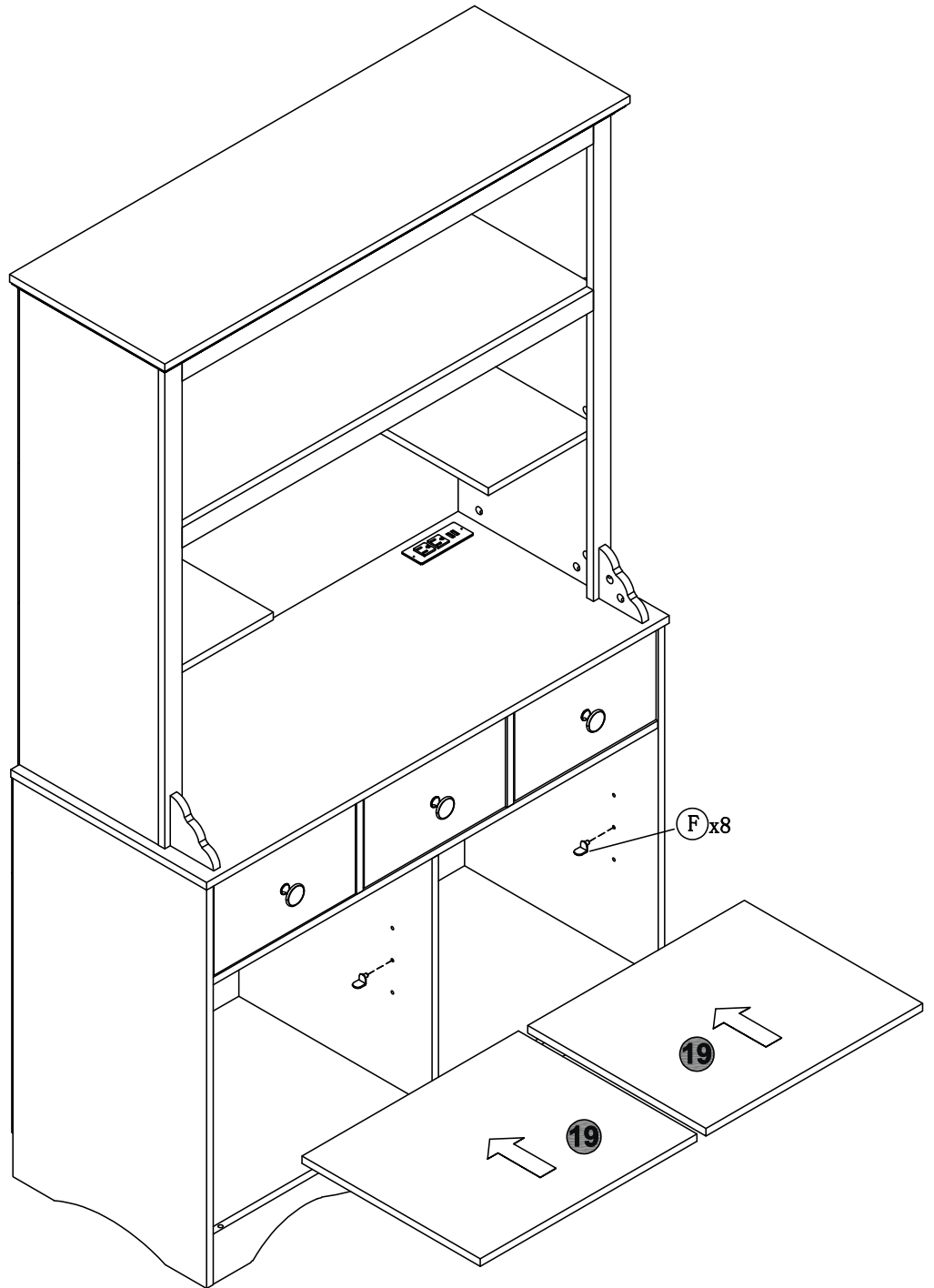
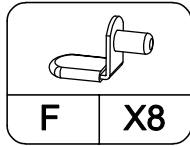


STEP 37



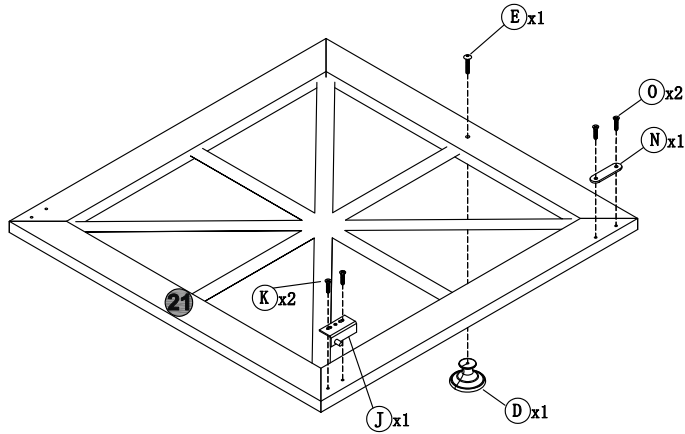
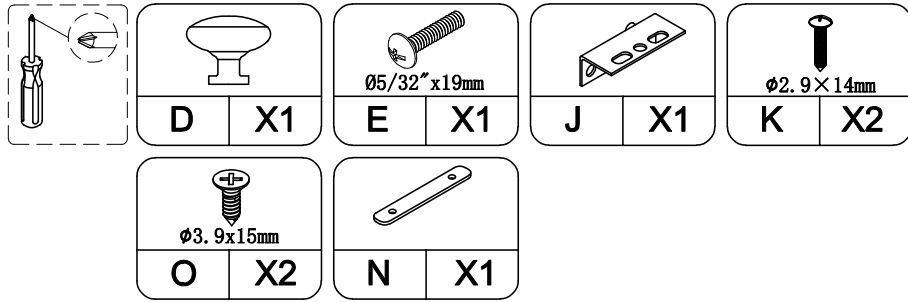
**ASSEMBLY INSTRUCTIONS**

**STEP 38**

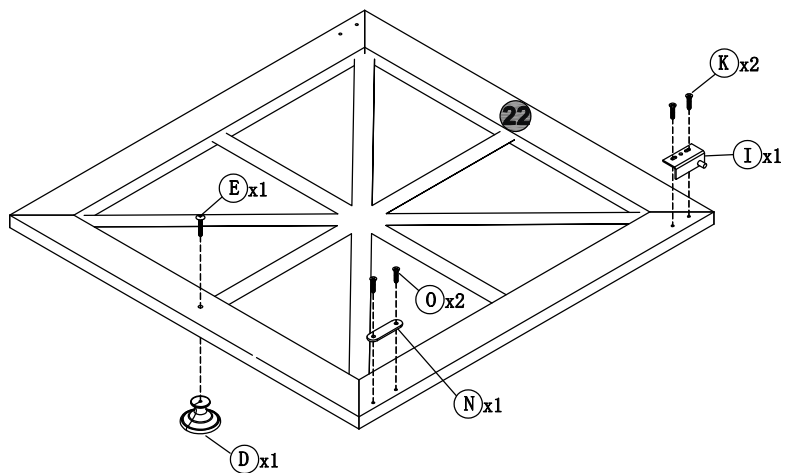
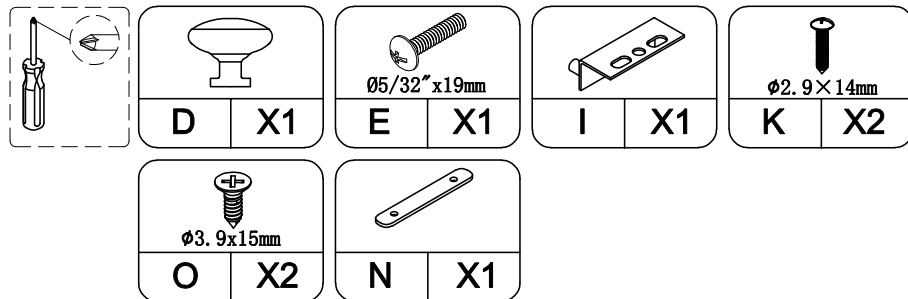


# ASSEMBLY INSTRUCTIONS

## STEP 39

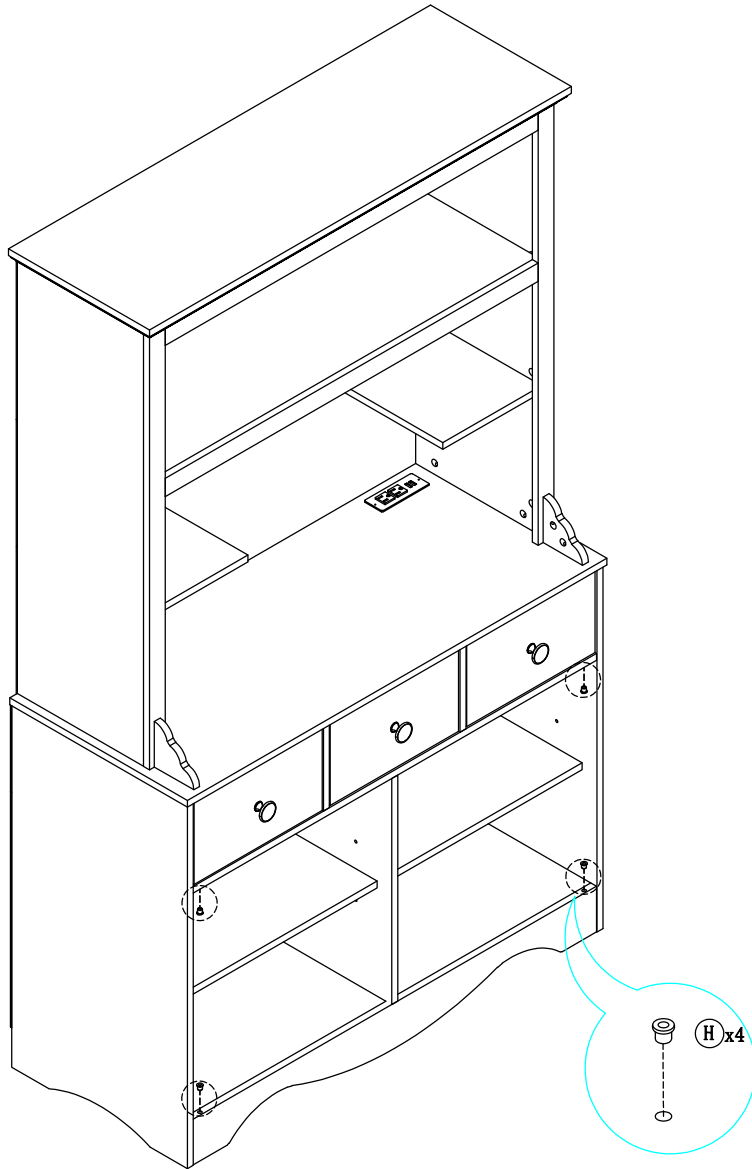
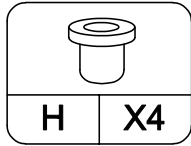


## STEP 40



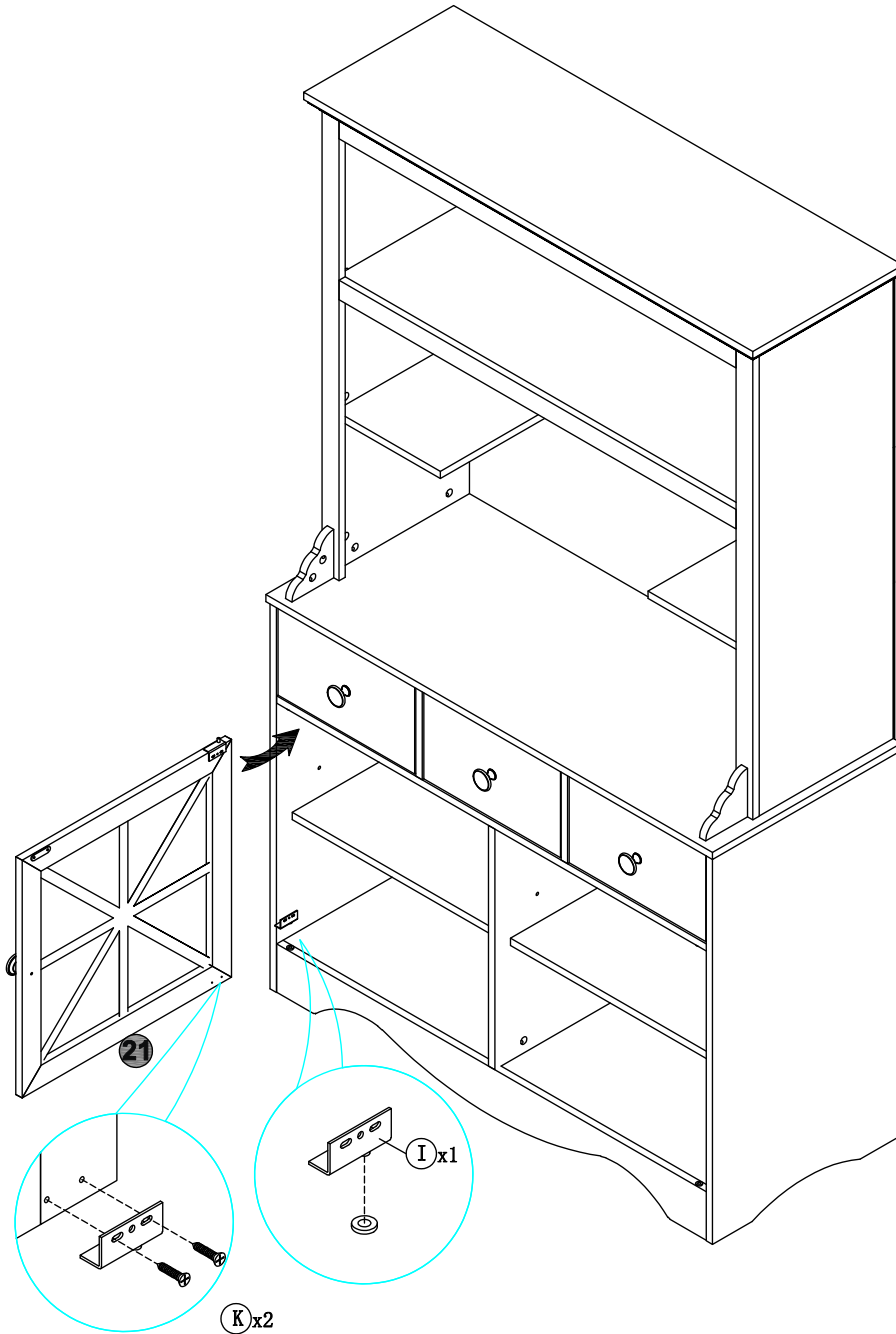
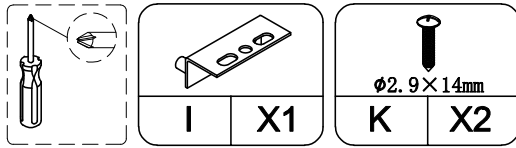
**ASSEMBLY INSTRUCTIONS**

**STEP 41**



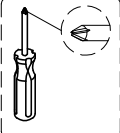
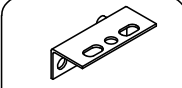

**ASSEMBLY INSTRUCTIONS**

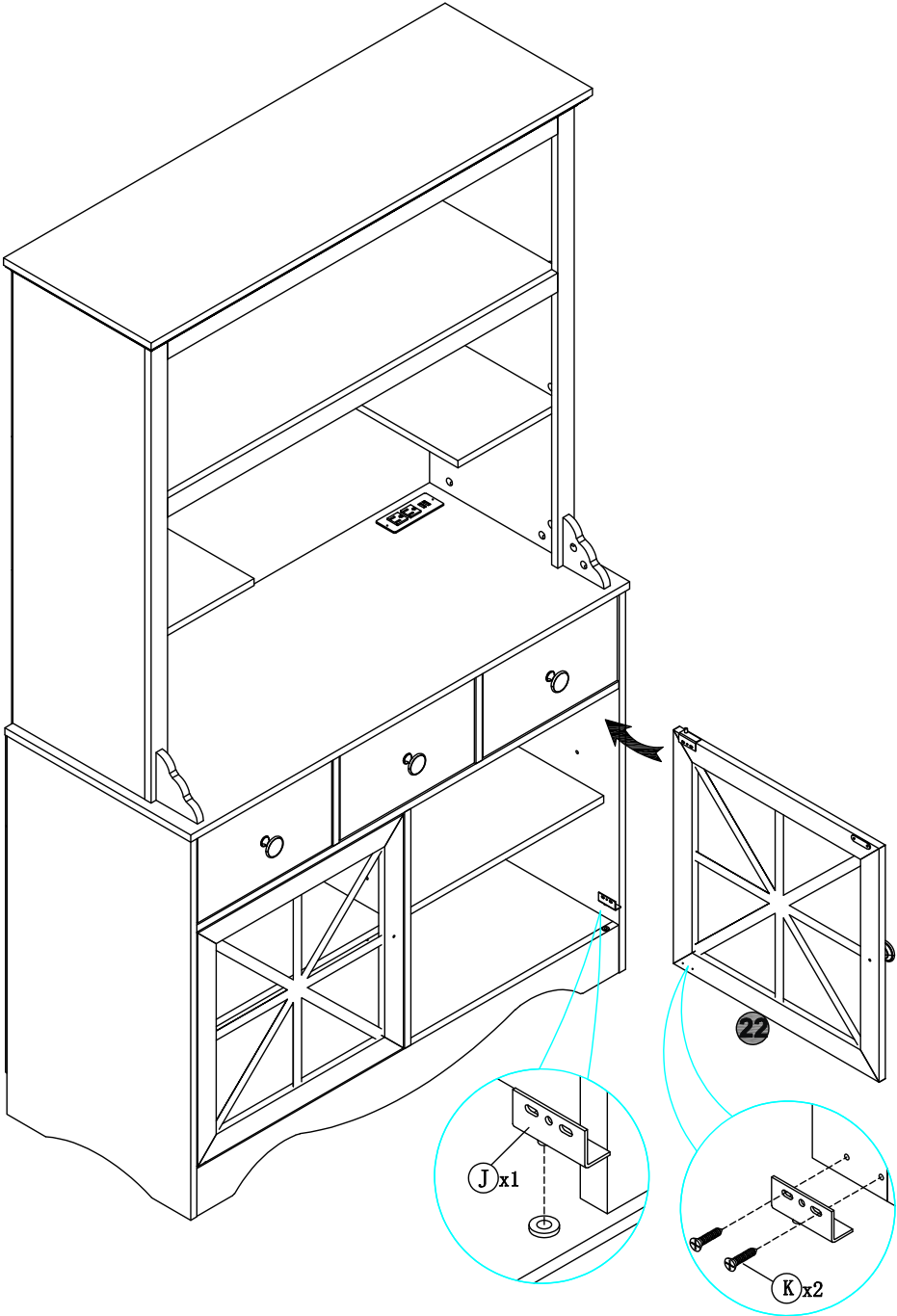
**STEP 42**



**ASSEMBLY INSTRUCTIONS**

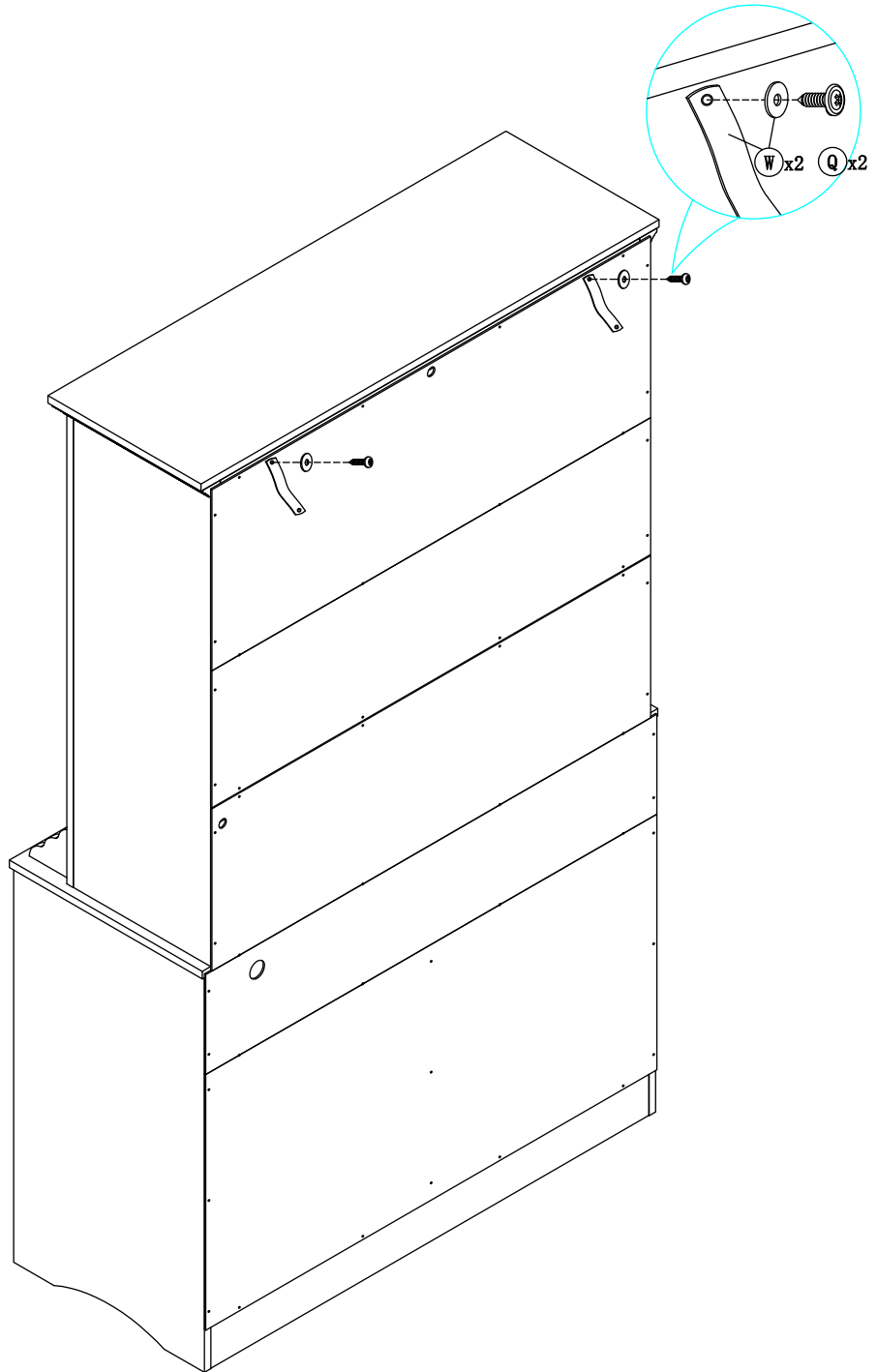
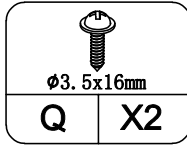
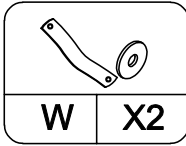
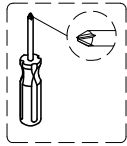
**STEP 43**

	 <b>J</b>   <b>X1</b>	 Ø2.9×14mm <b>K</b>   <b>X2</b>
---	---	--



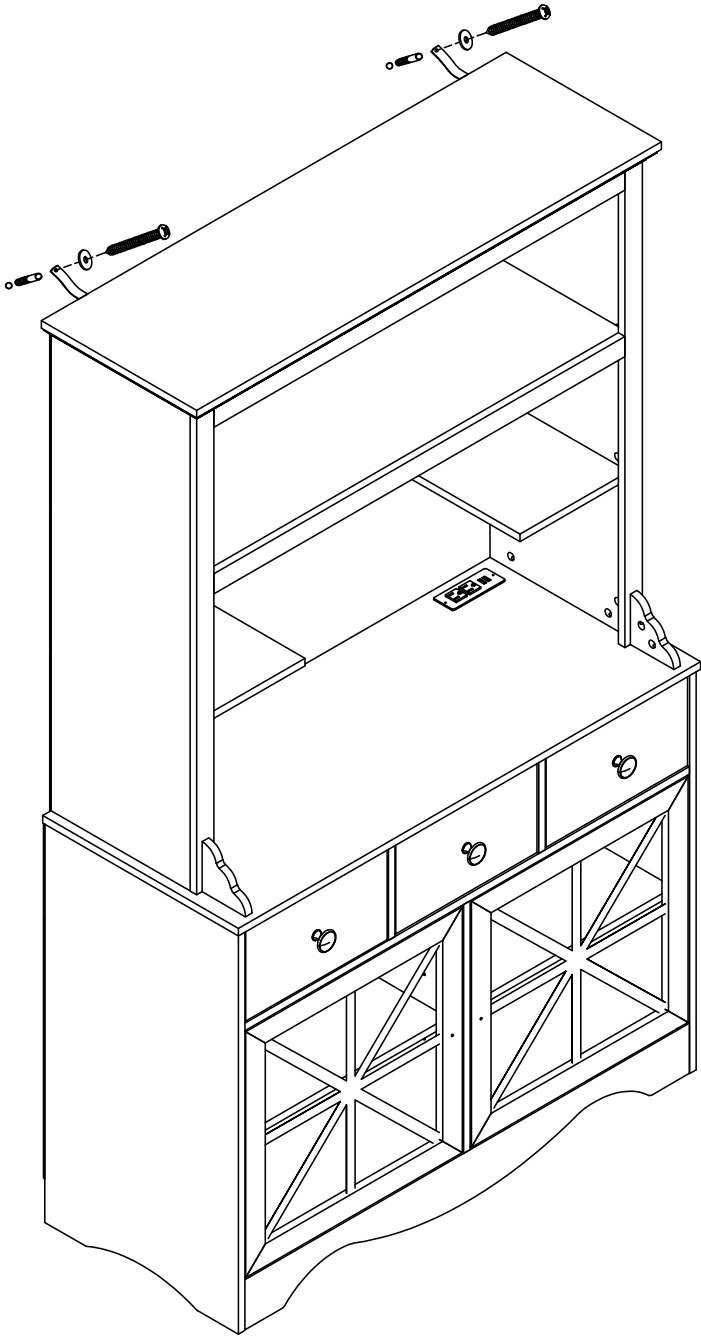
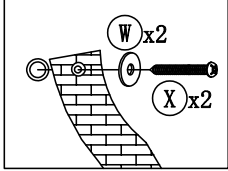
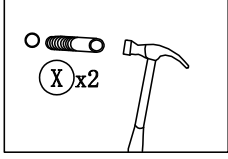
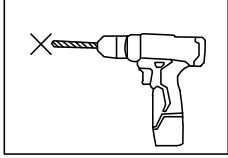
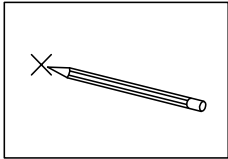
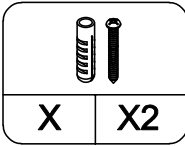
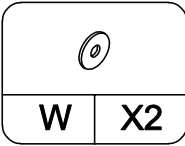
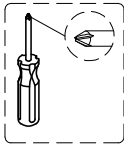
**ASSEMBLY INSTRUCTIONS**

**STEP 44**



**ASSEMBLY INSTRUCTIONS**

**STEP 45**





## MAINTENANCE AND CARE

Clean regularly using a soft brush or vacuum with a brush attachment. Avoid harsh chemicals or abrasive cleaners.

Wash with a hose or pressure washer on a low-pressure setting for heavy soiling. Rinse thoroughly afterward.

Ensure proper drying after cleaning or exposure to rain to prevent mold or mildew growth.

Protect from extreme weather by moving furniture to a covered area or using furniture covers or tarps.

Avoid dragging or placing heavy objects on the furniture to prevent damage.

Apply UV protection spray or furniture wax to prevent fading and damage from the sun.

Regularly inspect for wear, loose strands, or damage and address issues promptly



## WARRANTY INFORMATION

**Warranty Coverage:** Our warranty provides protection against manufacturing defects in materials and workmanship for a specified period from the date of purchase, as outlined in the accompanying warranty documentation.

**Exclusions:** The warranty does not cover damages resulting from misuse, negligence, accidents, normal wear and tear, unauthorized repairs or modifications, improper assembly, or failure to adhere to the care and maintenance guidelines provided.

### Warranty Claim Process

**To initiate a return on Amazon, please follow these steps:**

- 1 Log into your Amazon account and go to the "Your Orders" section.
- 2 Locate the order containing the item you wish to return.
- 3 Contact our customer service for assistance in obtaining a prepaid return label.
- 4 Once you receive the return label, securely affix it to the package.
- 5 You can then choose to drop off the package at a designated carrier location or arrange for a pickup.
- 6 After we receive and inspect the returned product, we will initiate the refund process.
- 7 The refund will be credited back to the original payment method used during the purchase.
- 8 Typically, refunds are processed within 3-5 business days.