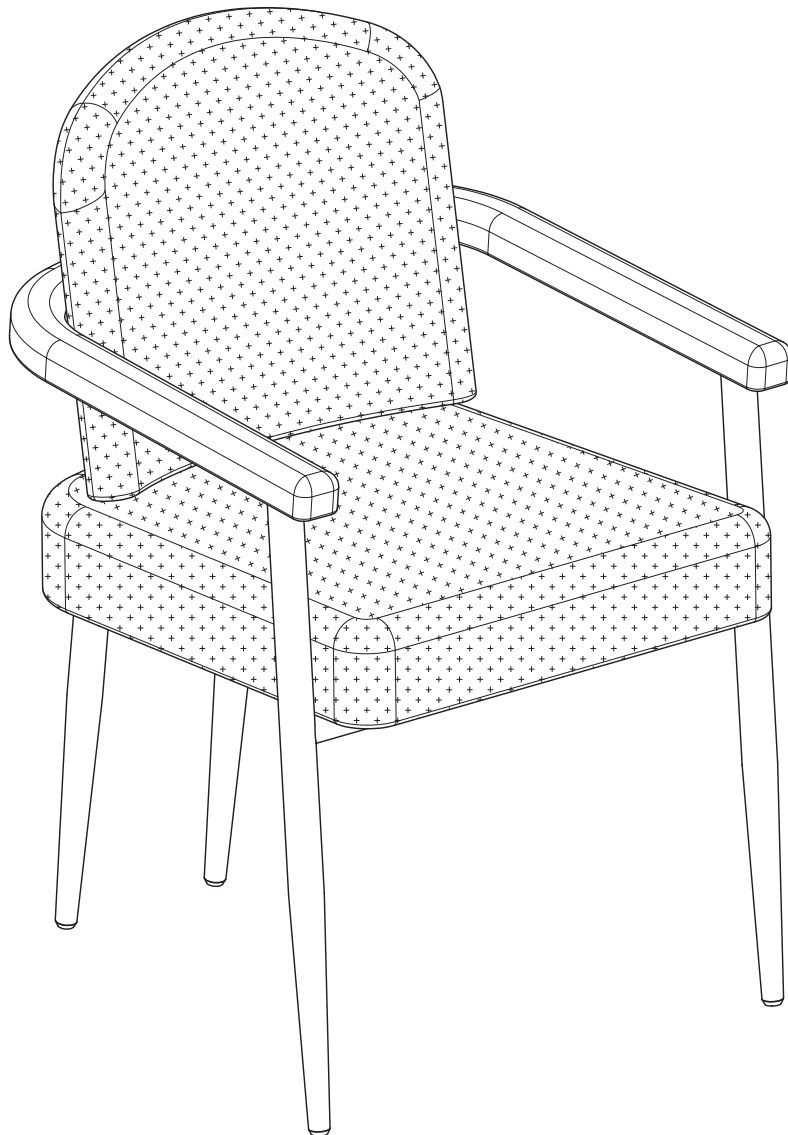


WALKER EDISON™

Dining Chair

SKU# WESAM14OS2



For Residential Use Only

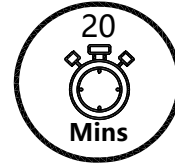
Please visit our website for the most current instructions, assembly tips, report damage, or request parts. www.walkerredison.com



Time to get started

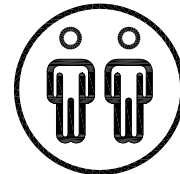
Set up a clean and soft workplace to get started and avoid damage during the assembly. It also helps to double-check that you've got all the pieces and parts before diving in to assembly.

Estimated time for assembly



People recommended for assembly

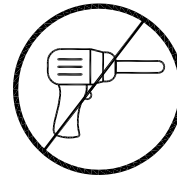
Make it a team effort! Grab a friend for quicker, easier assembly.



2 People Build

Use power tools with caution

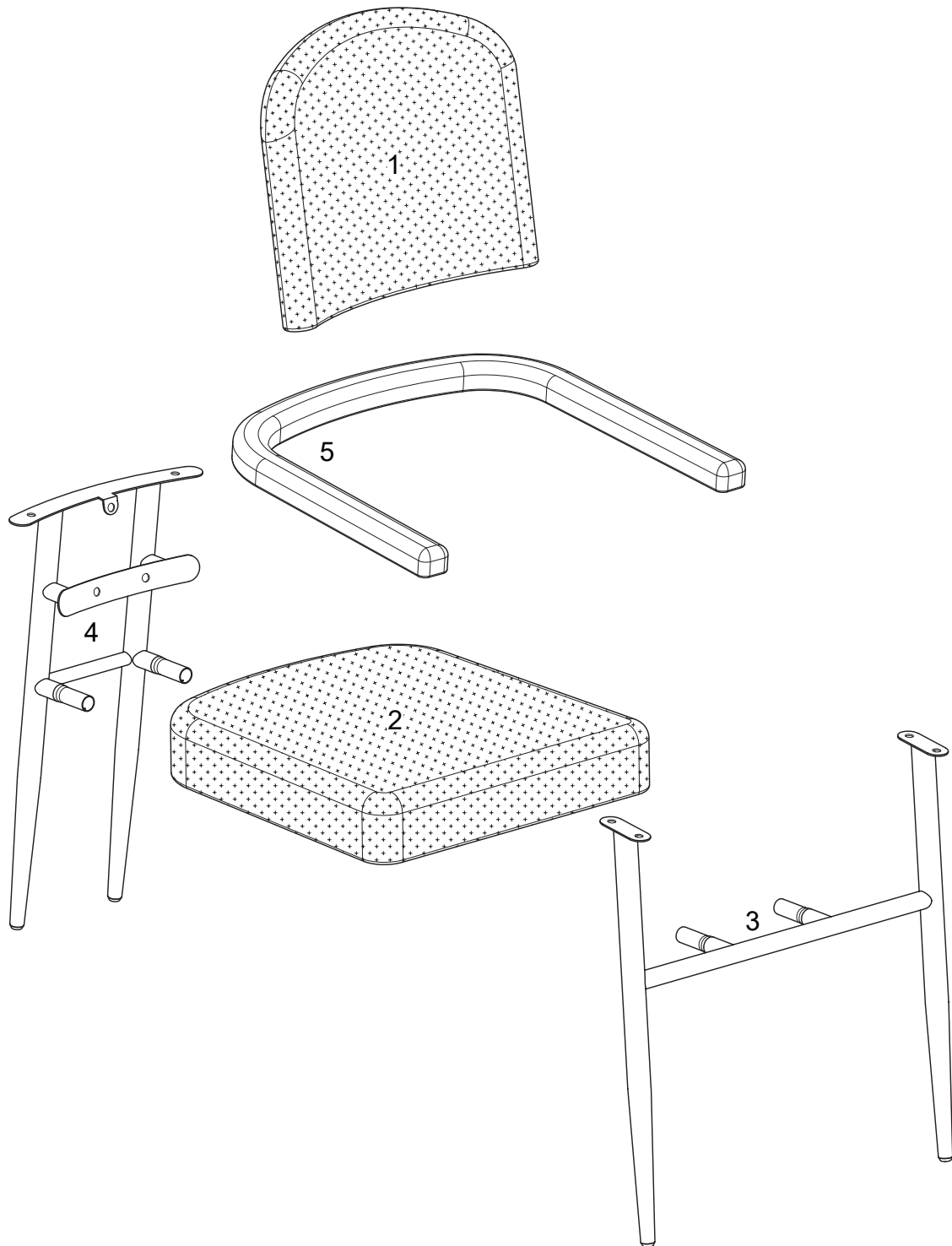
You can cause cracking or damage to the material and easily strip the hardware. If you choose to use a power tool, your product will no longer be covered under Walker Edison's warranty.




Scan to get assembly tips and help!

WE Parts List

| Part Number | Description | Quantity |
|-------------|-----------------|----------|
| 1 | Back cushion | 1 |
| 2 | Seat cushion | 1 |
| 3 | Front Leg Frame | 1 |
| 4 | Back Leg Frame | 1 |
| 5 | Arm Rest | 1 |

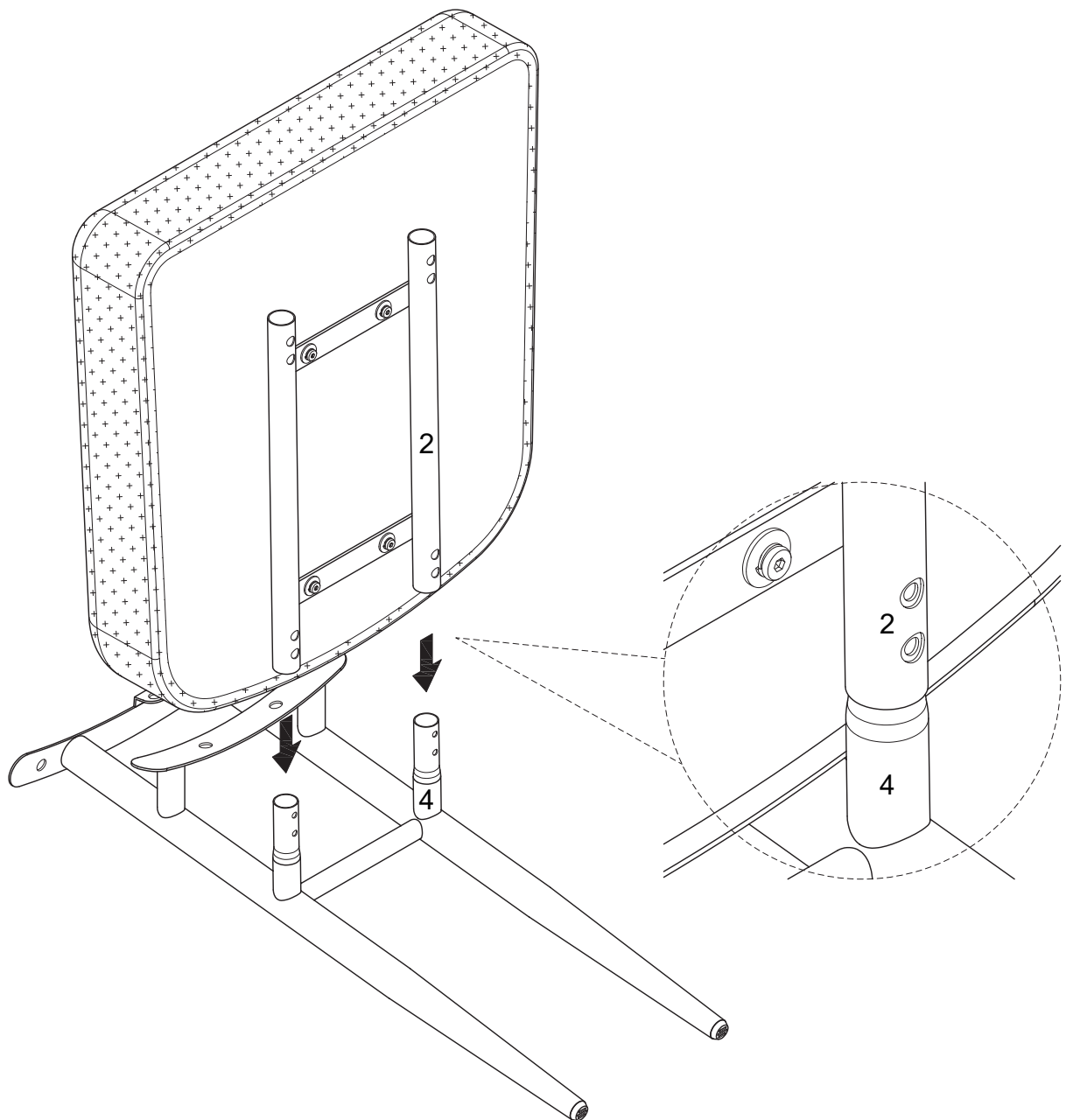


WE Hardware List

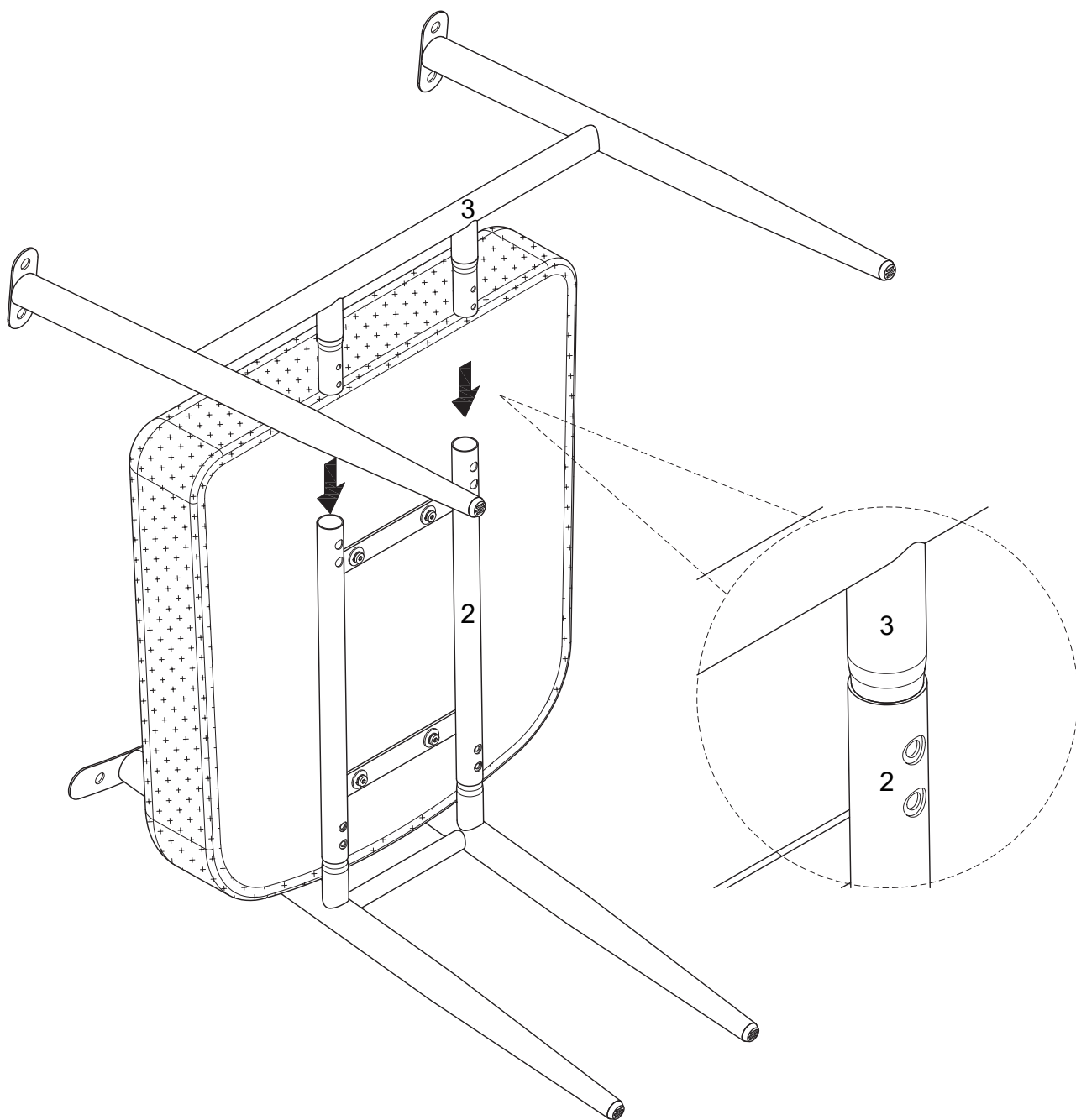
| Part | Size | Name | Quantity |
|------|---|---------------|----------|
| A |  1/4"x20mm | Bolt | 17 |
| B |  1/4"x11x1mm | Spring washer | 17 |
| C |  1/4"x19x1.5mm | Washer | 17 |
| D |  M4 | Hex key | 1 |

The hardware quantities listed above are required for proper assembly.
Extra hardware pieces may be included.

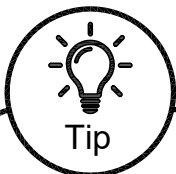
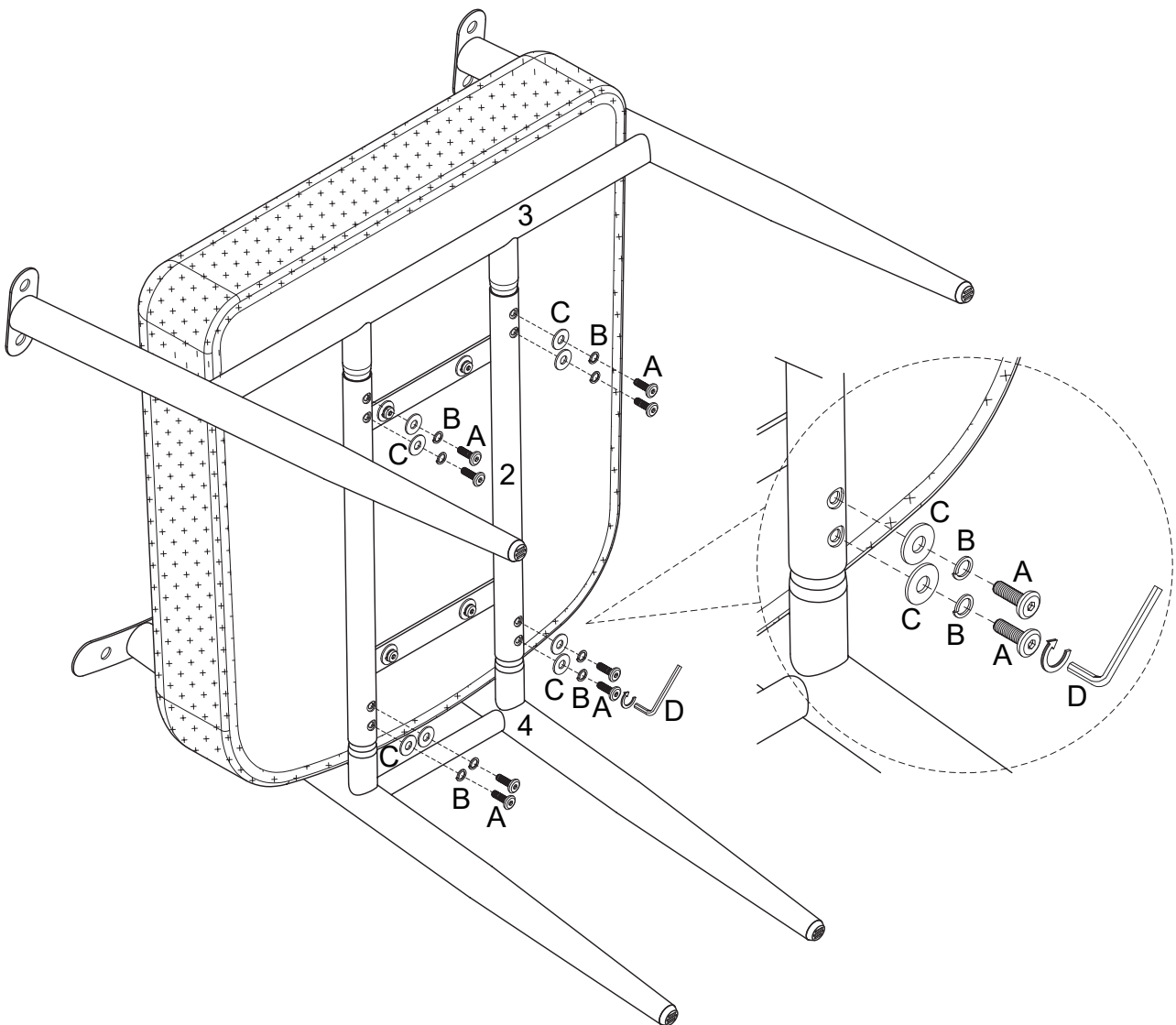
Step 1



Step 2

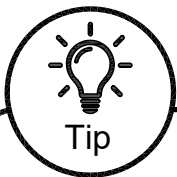
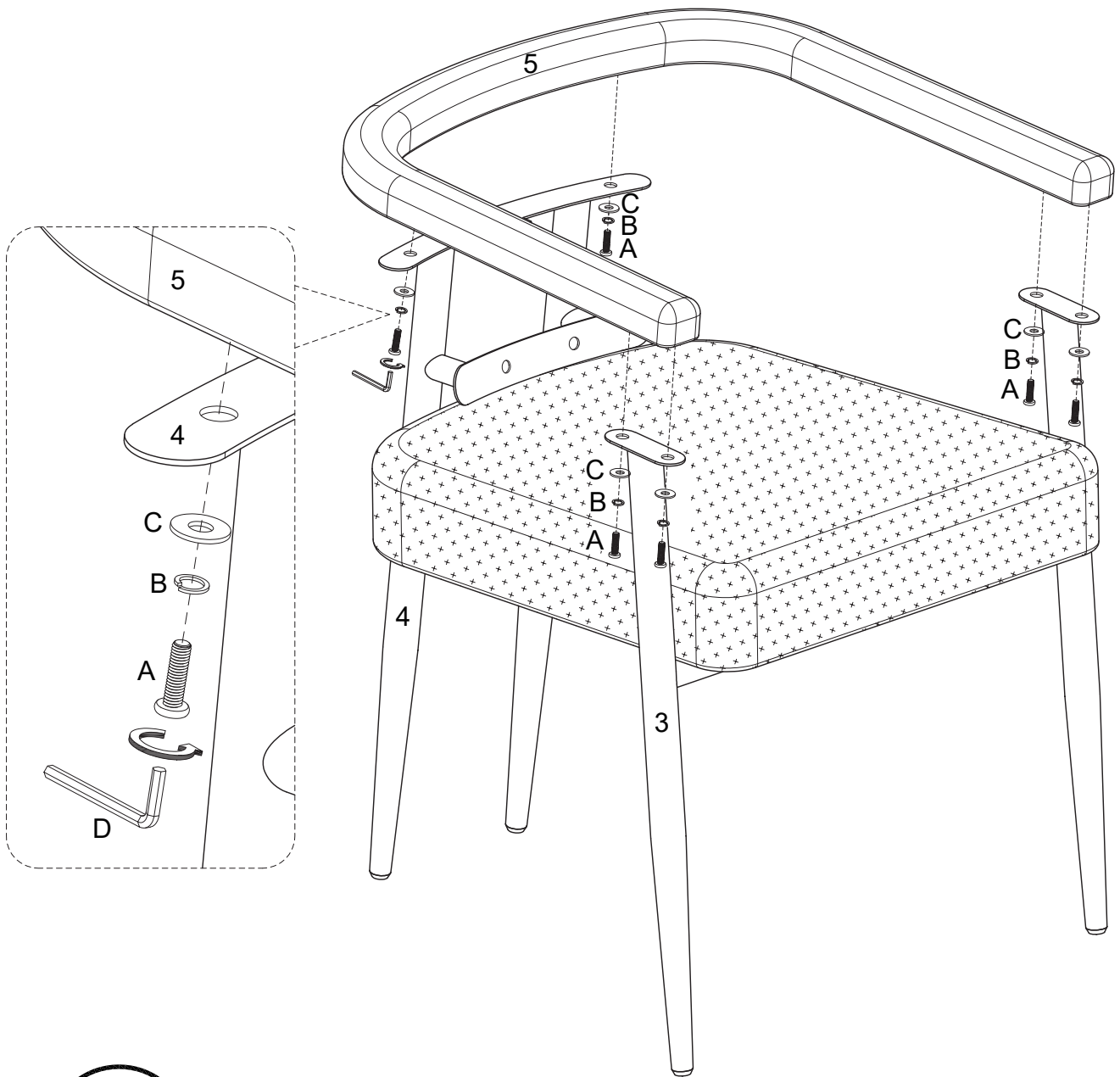


Step 3



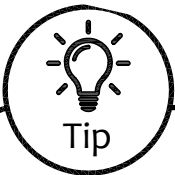
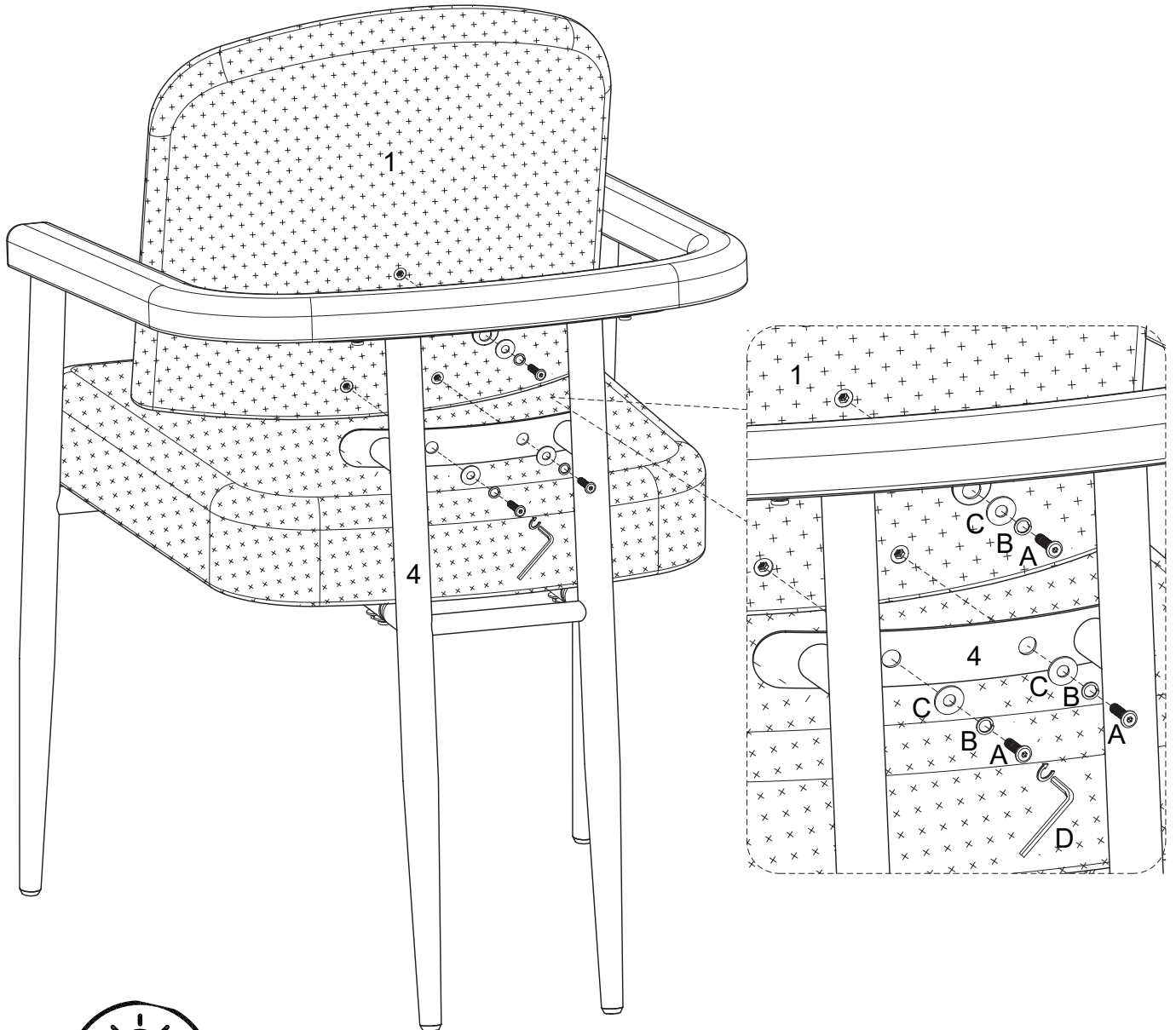
Do not tighten bolts / screws completely until all bolts / screws are lined up and inserted into holes. Tighten only to 75% for now.

Step 4



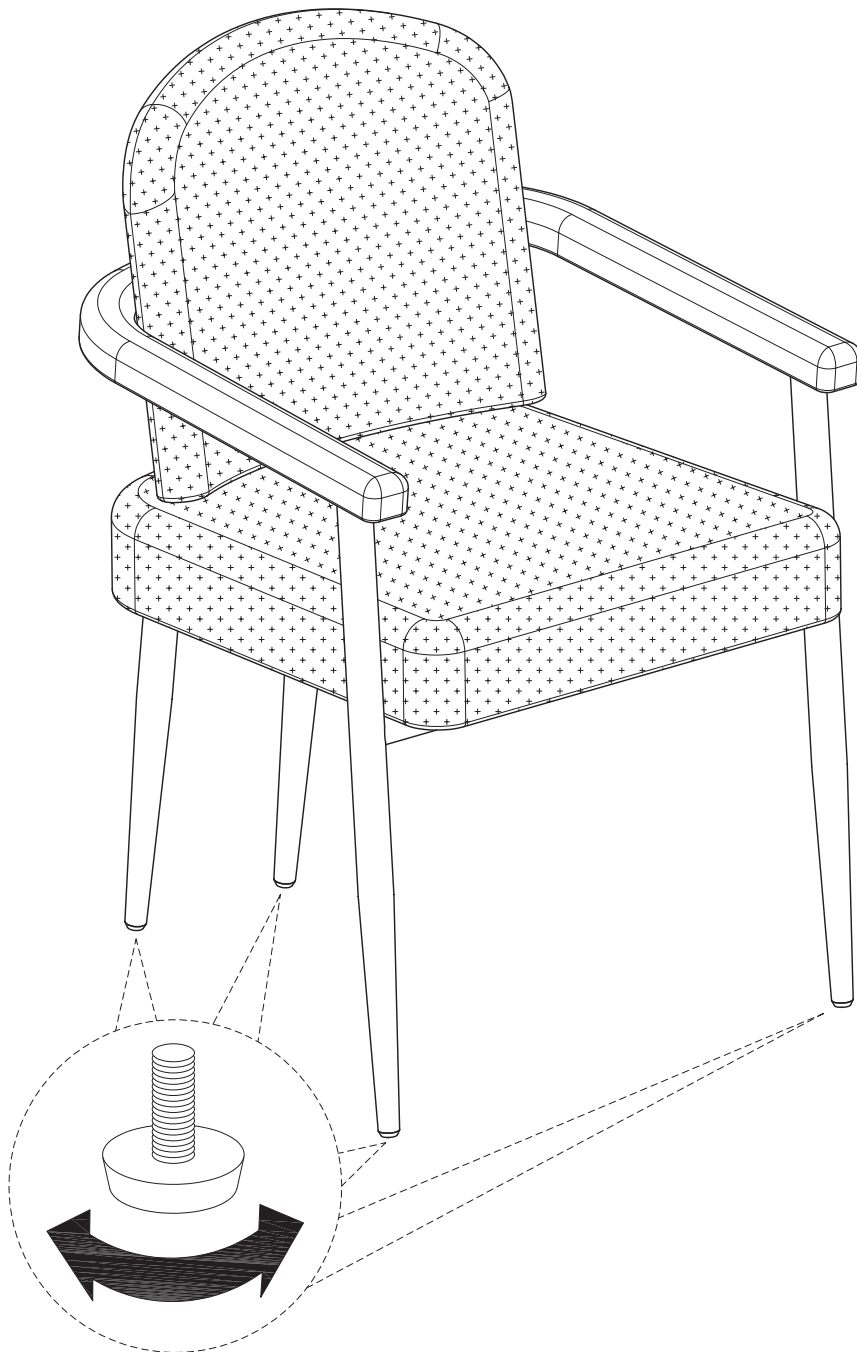
Do not tighten bolts / screws completely until all bolts / screws are lined up and inserted into holes. Tighten only to 75% for now.

Step 5

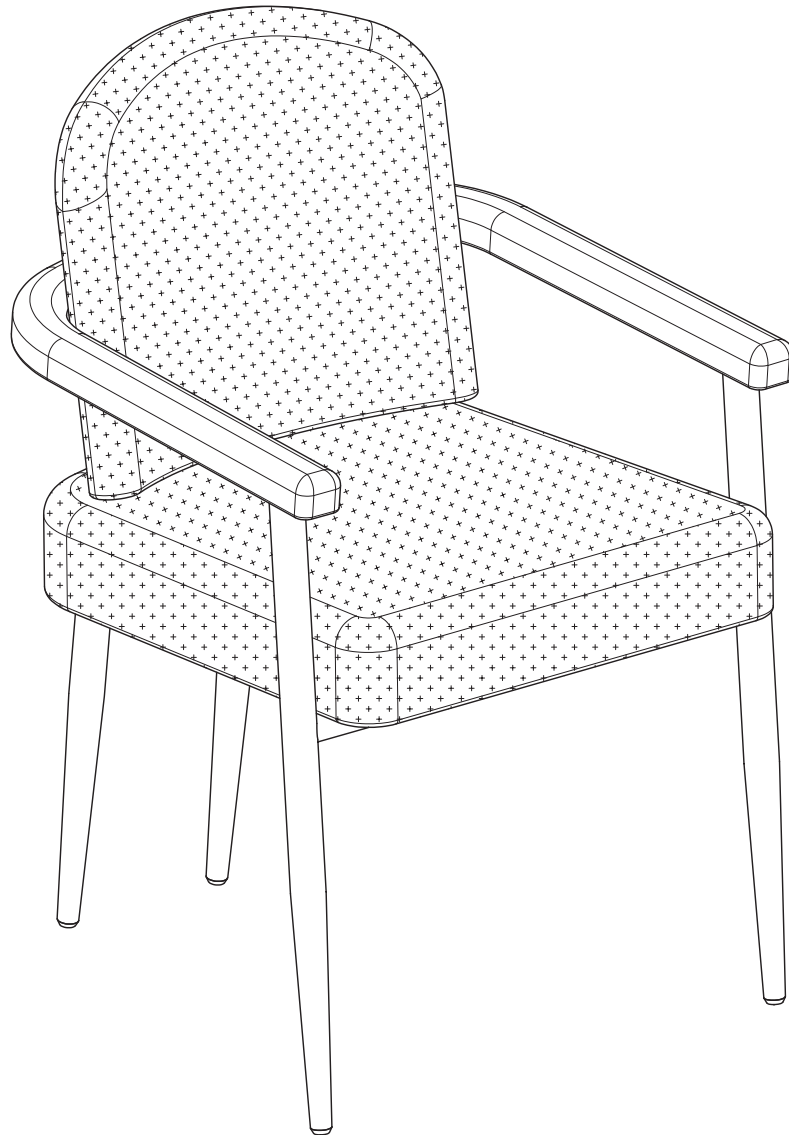


Carefully flip the chair over on a flat surface and make sure the legs are touching the ground evenly before tightening everything to 100%

Step 6



Final Assembly



Congratulations on your new piece of furniture!

We would love to hear about it and see it.
Please leave us a review or post a picture with
#mywalkerredisonhome

Assembling furniture can be tricky sometimes.

Our customer service team, located in Utah, is here for product information, help assembling a product, or for any other customer support issue

Call us at **801-433-3008**

Email us at service@walkeredison.com

Visit our Customer Service website at

walkeredison.com/pages/customer-service

We are available to help Monday -Thursday 8am-5pm, Friday 8am-3pm MST

For details on Assembly Videos, Assembly Instructions, Replacement Parts, and Customer service,

SCAN HERE

